




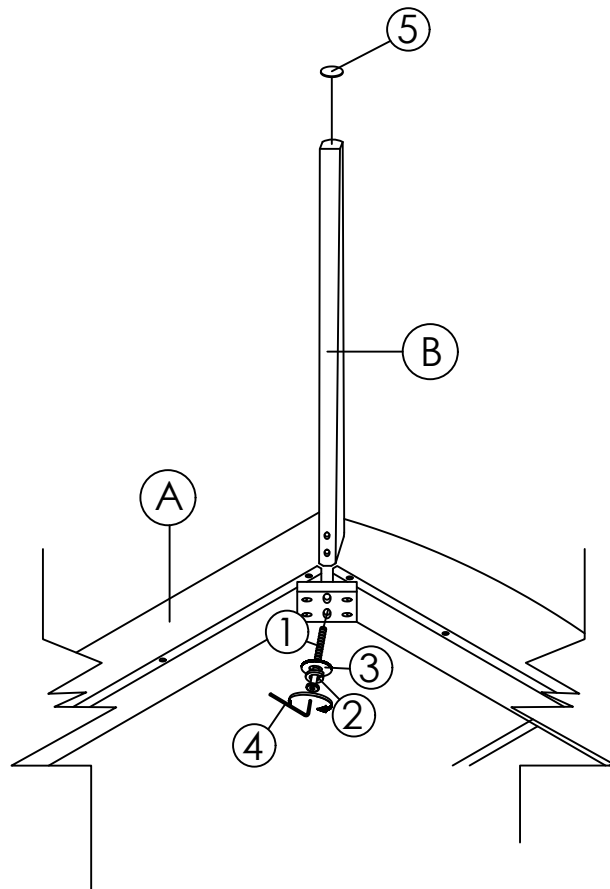


VITRO

ITEM	QTY
A	1 PC
B	4 PCS

ITEM	DESCRIPTION	QTY
1	M8 X 70MM 	8
2	$\frac{5}{16}$ " 	8
3	$\frac{5}{16}$ " 	8
4	M5 ALLEN KEY 	1
5		4

STEP 1



STEP 2

