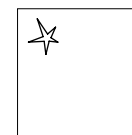




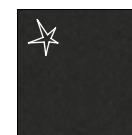
Front/Carcase	Colour code
Front High polish white/Carcase Alpine white	AD355
Front high polish effect grey/Carcase Metallic grey	AD862



High polish white



Alpine white



high polish effect grey



Metallic grey



■ You will find matching extras after the wardrobes.

Supplier: Rauch Möbelwerke GmbH

# Quality features

rauch BLUE



Interior colour  
Texline colour



Metal guide rails



Drawers on silent ball-bearing runners



Optional dampers for hinged and sliding doors

Top workmanship

Proven fittings technology

Easy to assemble

Practical accessories

## Material information



### Colour

Furniture with colour finish has an evenly attractive, hard-wearing surface.



### WOODMAX chipboard

This healthy green-wood chipboard was designed specifically for use in living areas. Our Woodmax chipboard is made only from pollutant-free small-diameter logs and windfall timber from sustainably managed forestry operations in regional woods.



### Load-bearing capacity

The load limits for all furniture and extras can be found in the load table at: <https://qrco.de/rauch-belastungstabelle>

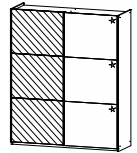
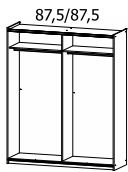
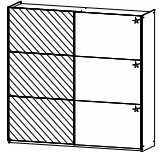
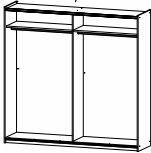
### Our natural raw material

Rauch has won various awards for the material used in its boards. Strict tests by impartial institutes consistently confirm that our materials and processes are not harmful to health.

## Award-winning and certified










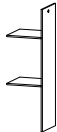
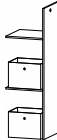
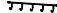

Front/Carcase	Colour code
Front High polish white/Carcase Alpine white	AD355
Front high polish effect grey/Carcase Metallic grey	AD862

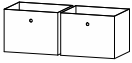
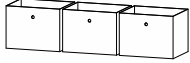

WARDROBES						
<p>Matching extras-can be found on the next page.</p>		 <p>87,5/87,5</p>		<p>Design constraints necessitate a shelf thickness of 2.2 cm on unit widths of 109 cm.</p>		
		 <p>109/109</p>				
		sliding door wardrobe	sliding door wardrobe			
		2-door, 1 mirror door	2-door, 1 mirror door			
	↔175 cm ‡210 cm ↘59 cm	↔218 cm ‡210 cm ↘59 cm				
Article	Price	<b>51M9</b>	<b>51B2</b>			



Colour	Colour code
Texline (natural-colour linen look)	A0039

ELEMENT WIDTH ▶		65	87	109	65	87	109
Design constraints necessitate a shelf thickness of 2.2 cm on unit widths of 109 cm.							
		Shelf	Shelf	Shelf	hanging rail	hanging rail	hanging rail
		for unit width 66cm	for unit width 87 cm	for unit width 109 cm	for unit width 66cm	for unit width 87 cm	for unit width 109 cm
		↔63 cm ↓1,6 cm ↗45 cm	↔85 cm ↓1,6 cm ↗45 cm	↔107 cm ↓2,2 cm ↗45 cm	↔63 cm ↓3 cm ↗2 cm	↔84 cm ↓3 cm ↗2 cm	↔106 cm ↓3 cm ↗2 cm
1 pieces	Price	<b>94W1</b>	<b>97W1</b>	<b>98W1</b>	<b>97K1</b>	<b>9724</b>	<b>9762</b>
Set of 2		<b>97W0</b>	<b>97W2</b>	<b>98W2</b>	---	---	---
Set of 3		<b>94W3</b>	<b>97W3</b>	<b>98W3</b>	---	---	---
Set of 5		<b>94W5</b>	<b>97W5</b>	---	---	---	---

GENERAL		Drawer unit and interior division match all unit widths.				
						
		interior drawer	wardrobe interior division	Interior division	hooks	set of 2 dampers for sliding wardrobes
		with 2 drawers	with 2 shelves for unit width 90cm	with 2 shelves for unit width 90cm, 2 Fabric boxes		Cushions the door stop on the outer panels of the wardrobe.
		↔58 cm ↓39 cm ↗45 cm	↔45 cm ↓147 cm ↗45 cm	↔45 cm ↓147 cm ↗45 cm	↔35 cm ↓5 cm ↗5 cm	
Article	Price	<b>9846</b>	<b>9934</b>	<b>035W</b>	<b>9HL1</b>	<b>9TDD</b>

GENERAL				
				
		fabric box	fabric box	hanging fabric box
		set of 2 grey	set of 3 grey	fabric for clothes rail
		2x ↔38 cm ↓29 cm ↗29 cm	3x ↔38 cm ↓29 cm ↗29 cm	↔30 cm ↓115 cm ↗30 cm
Article	Price	<b>93G2</b>	<b>93G3</b>	<b>7526</b>