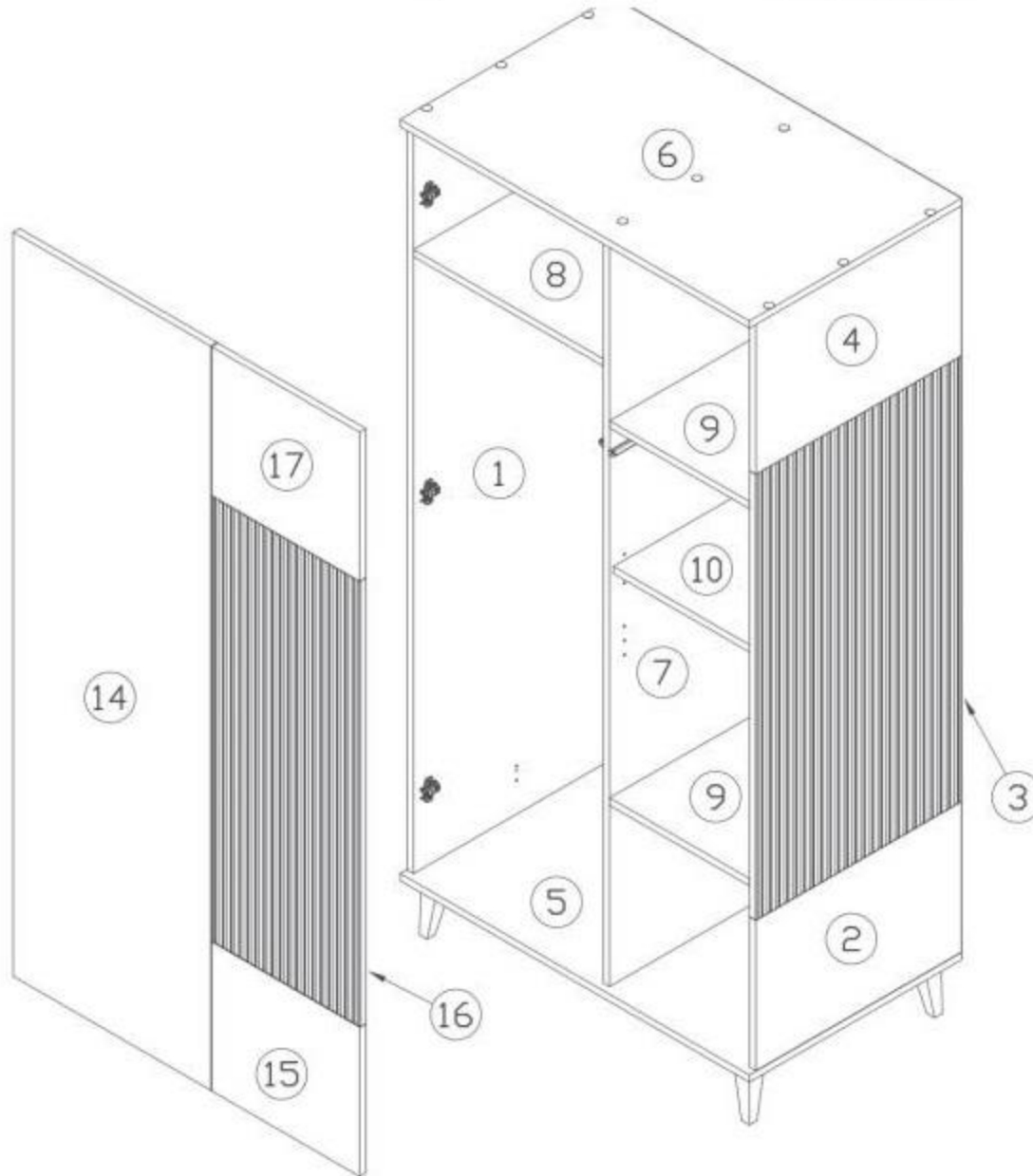


Model: **RANDOM**

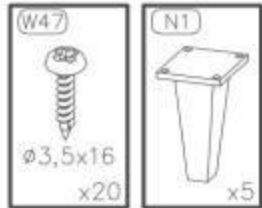
1/9



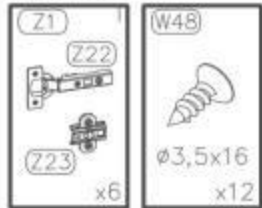
BAG 4



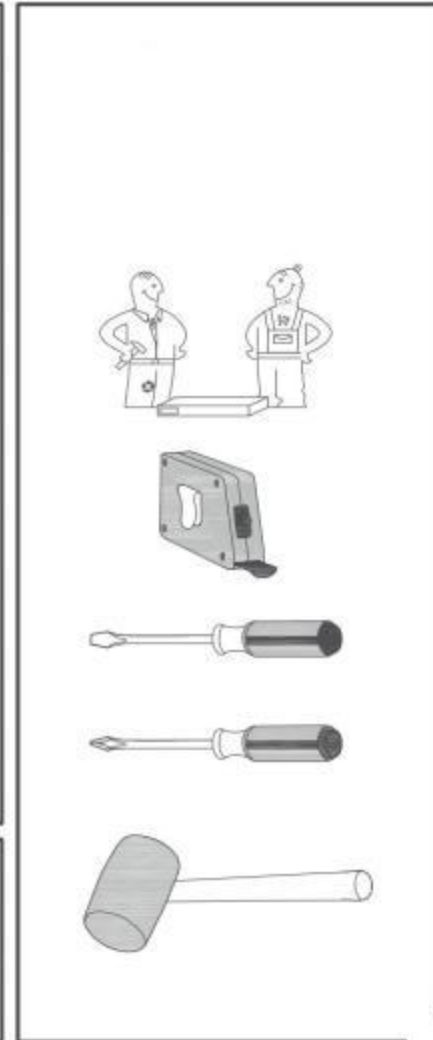
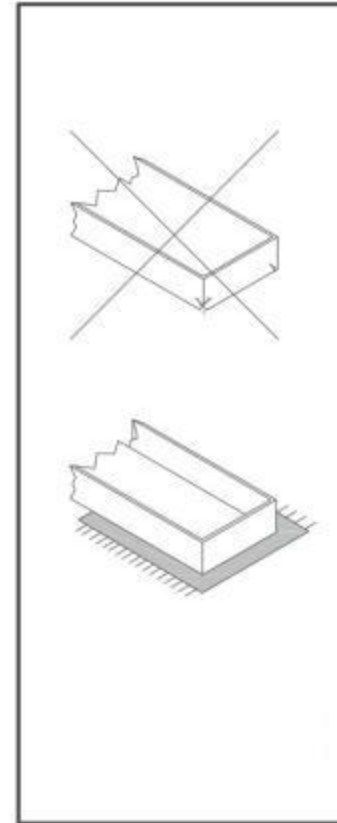
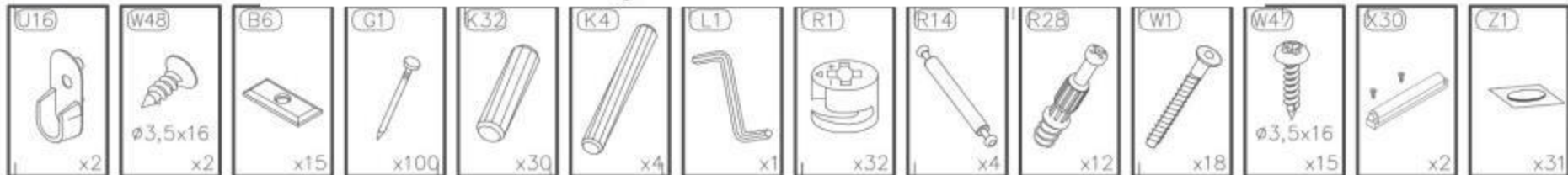
BAG 3



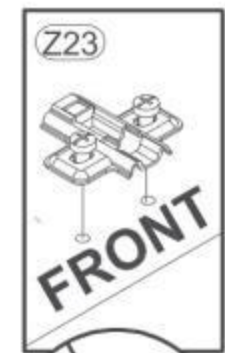
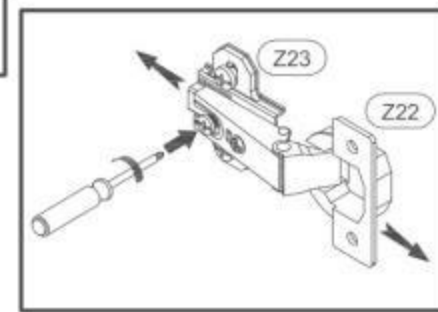
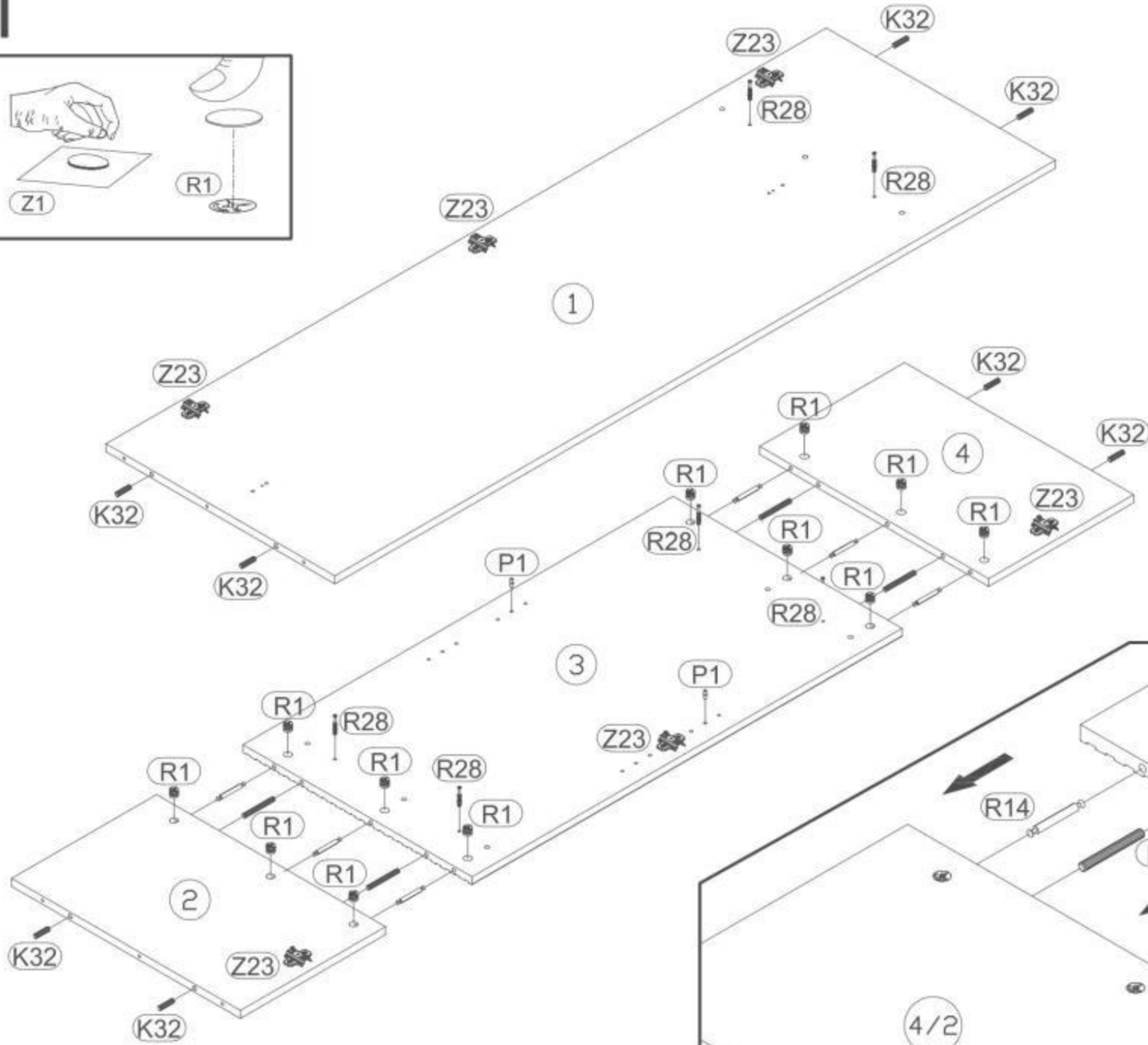
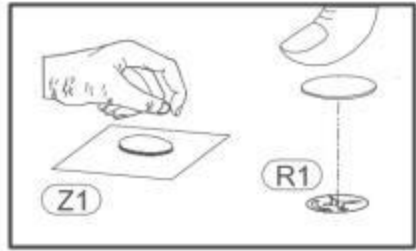
BAG 2



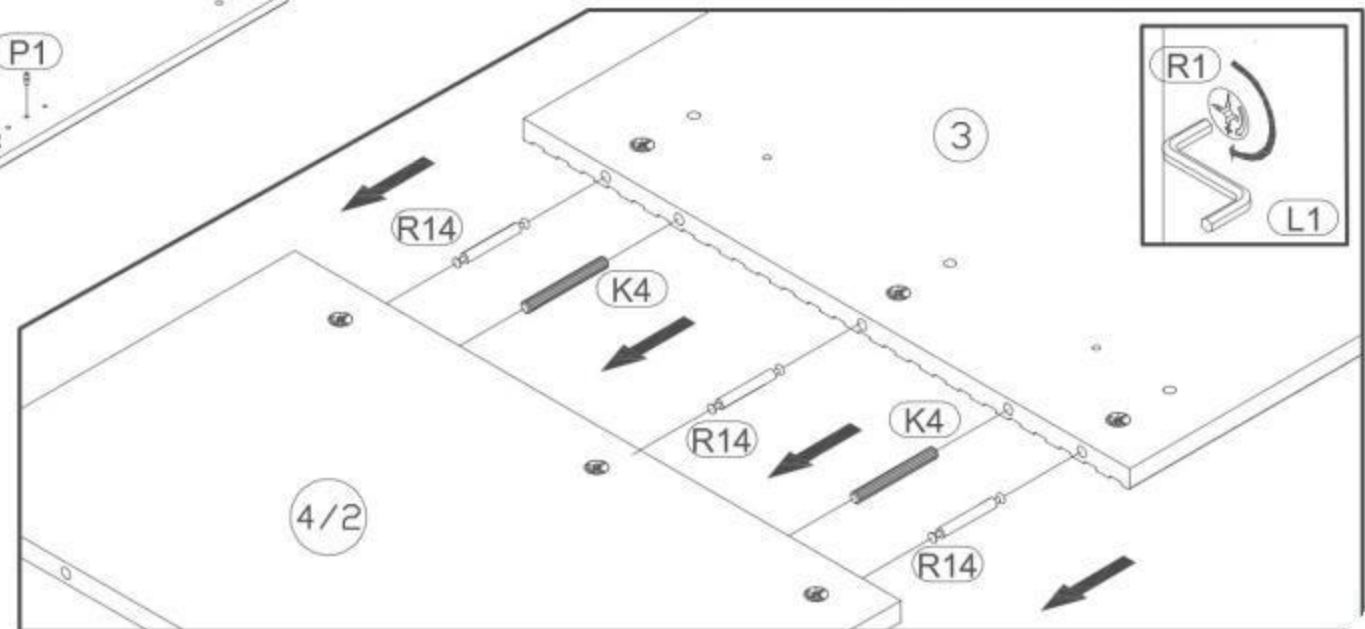
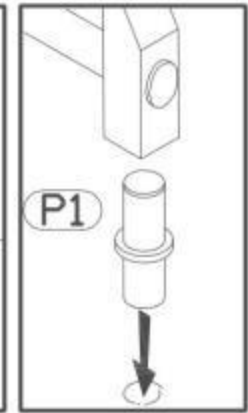
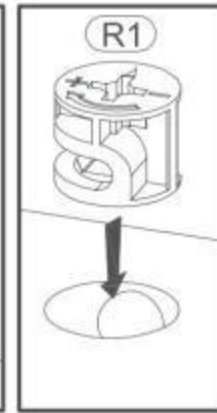
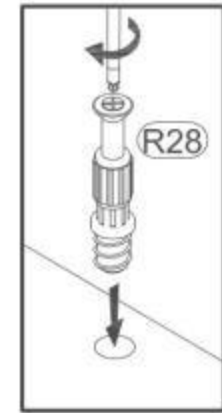
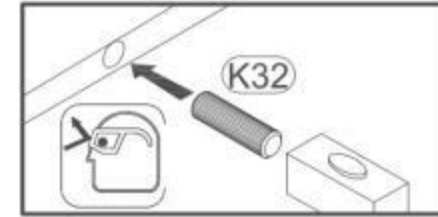
BAG 1



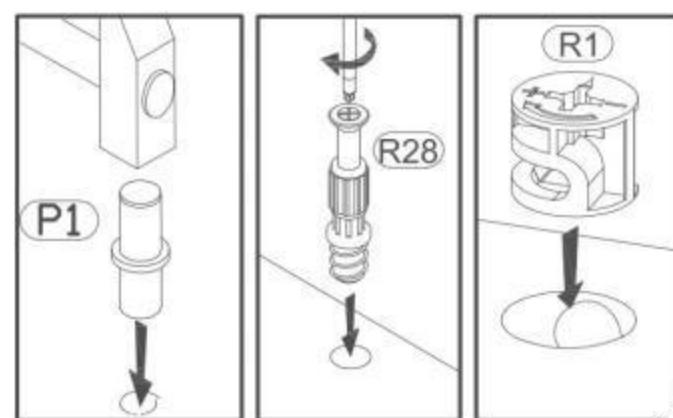
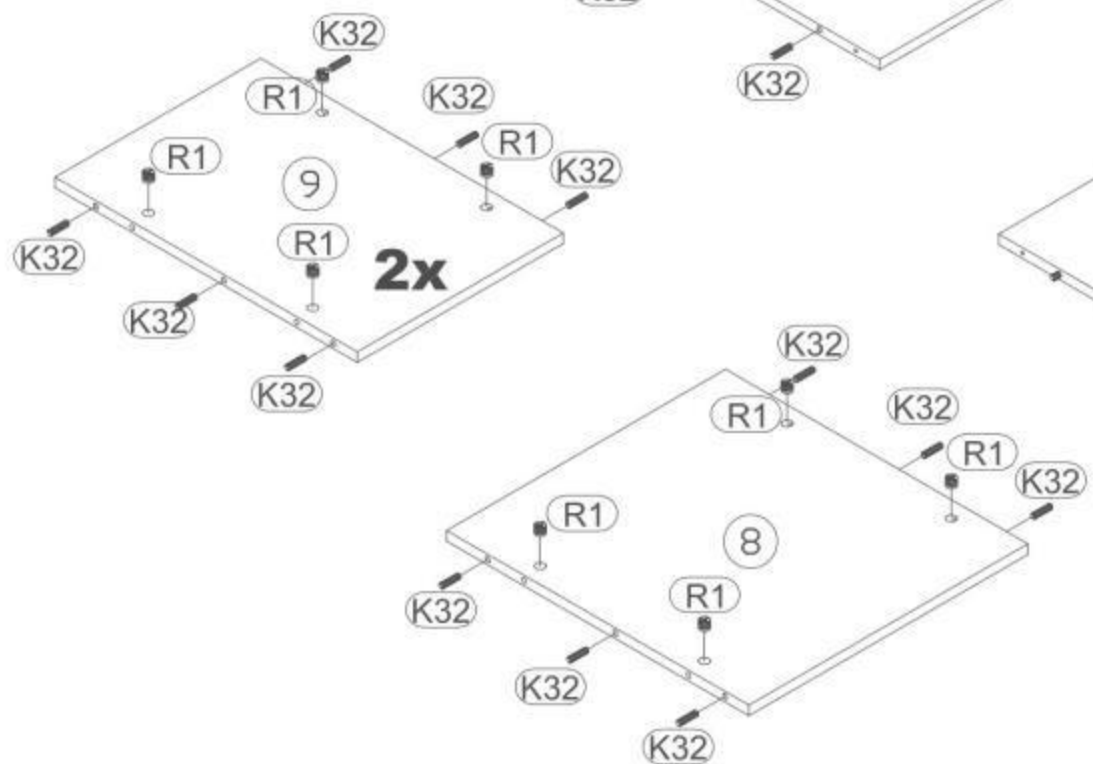
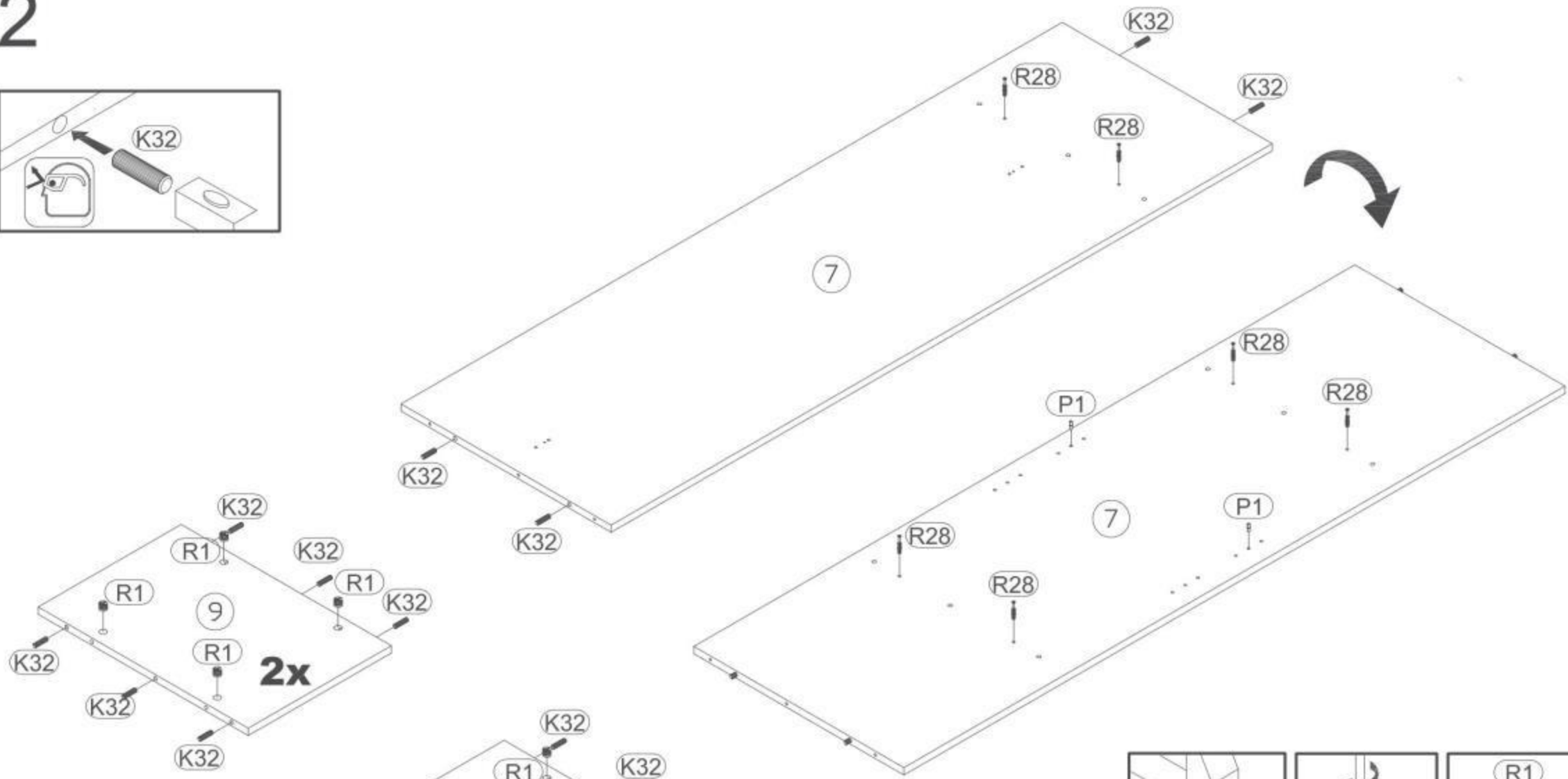
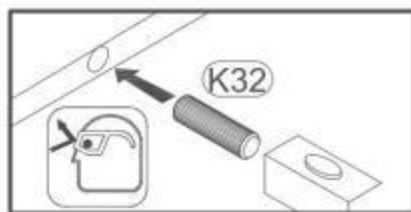
1



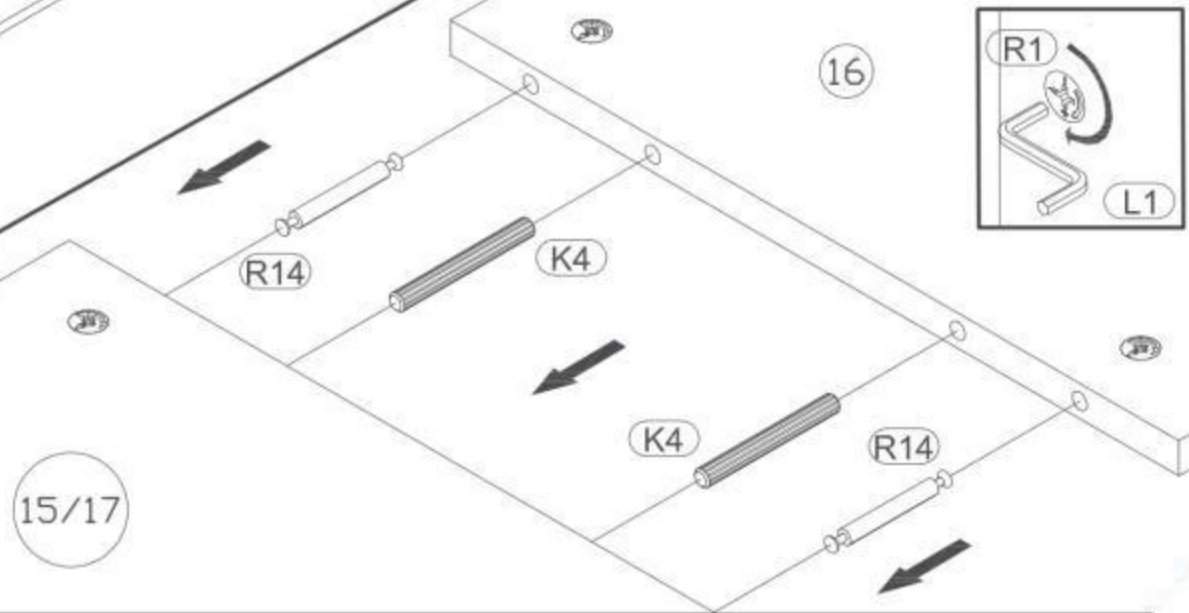
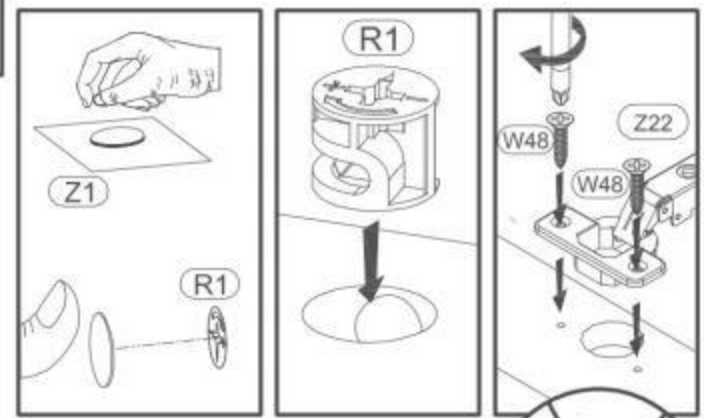
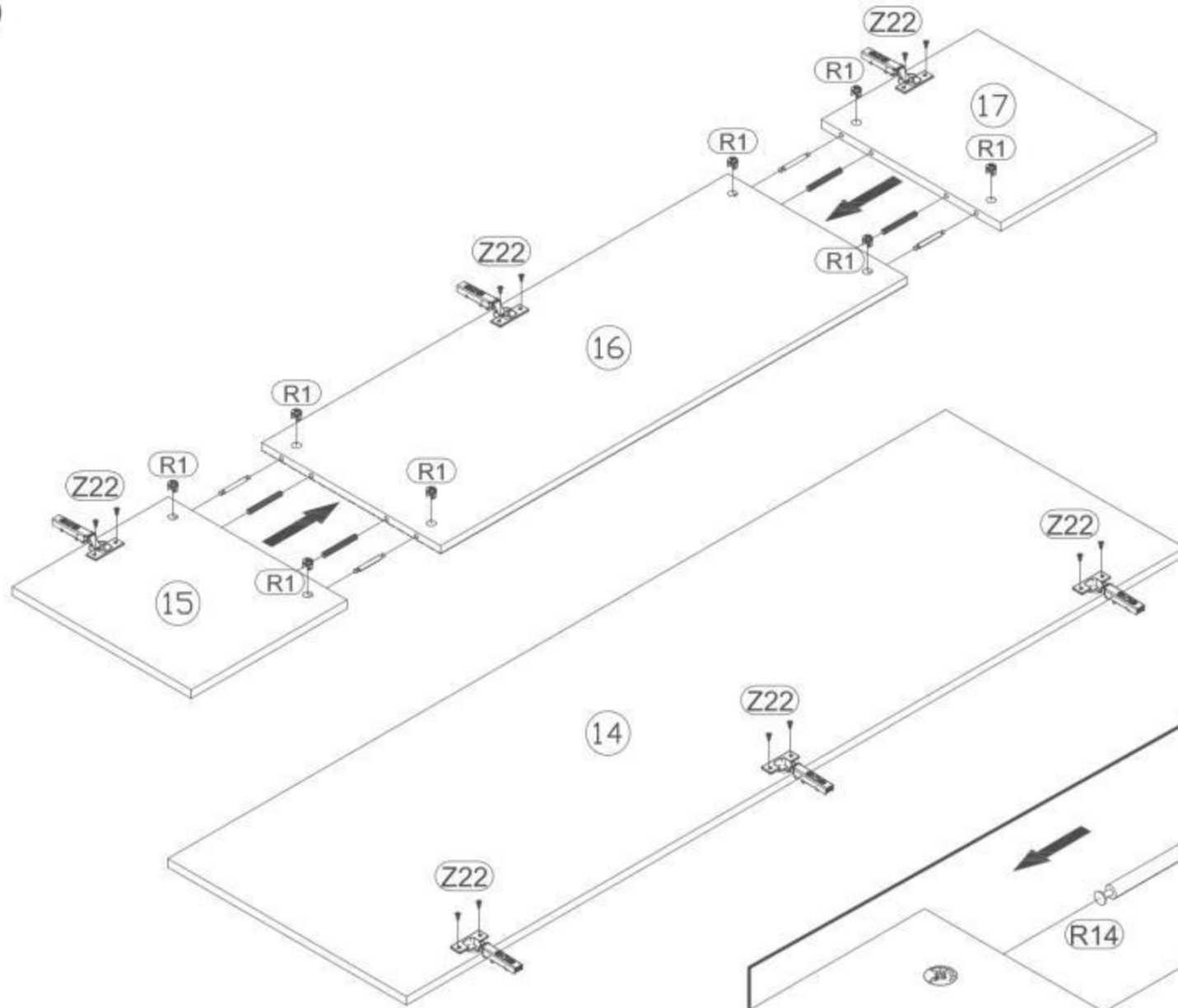
FRONT



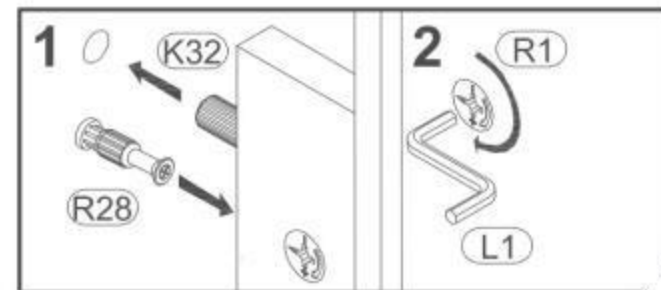
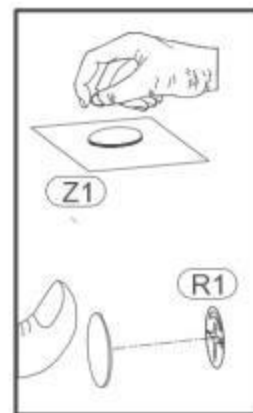
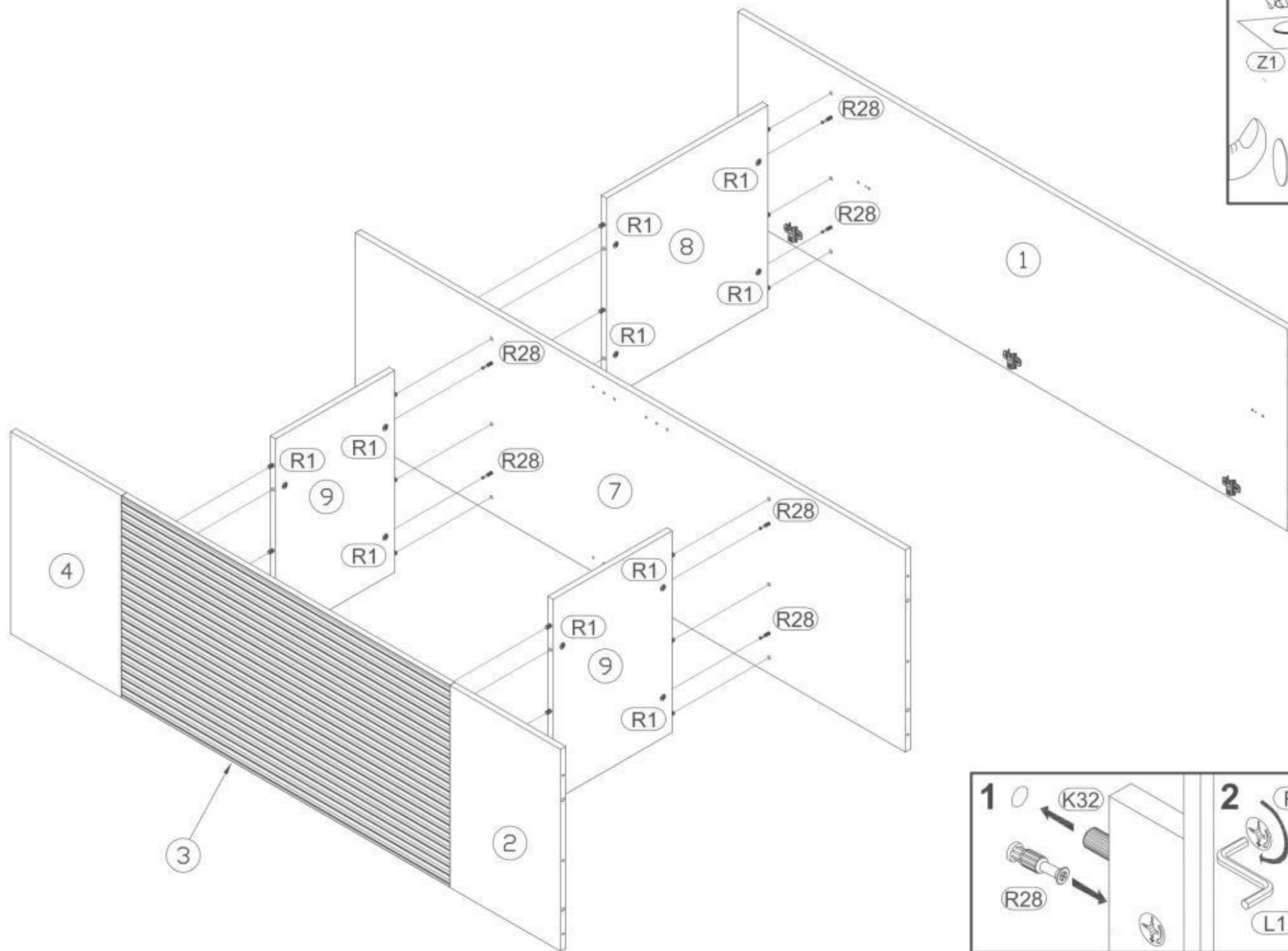
2



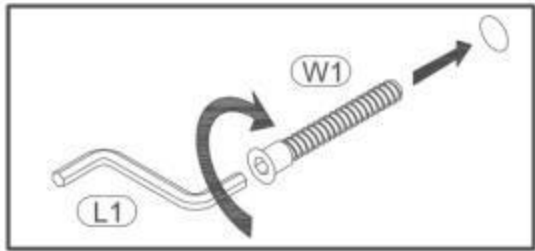
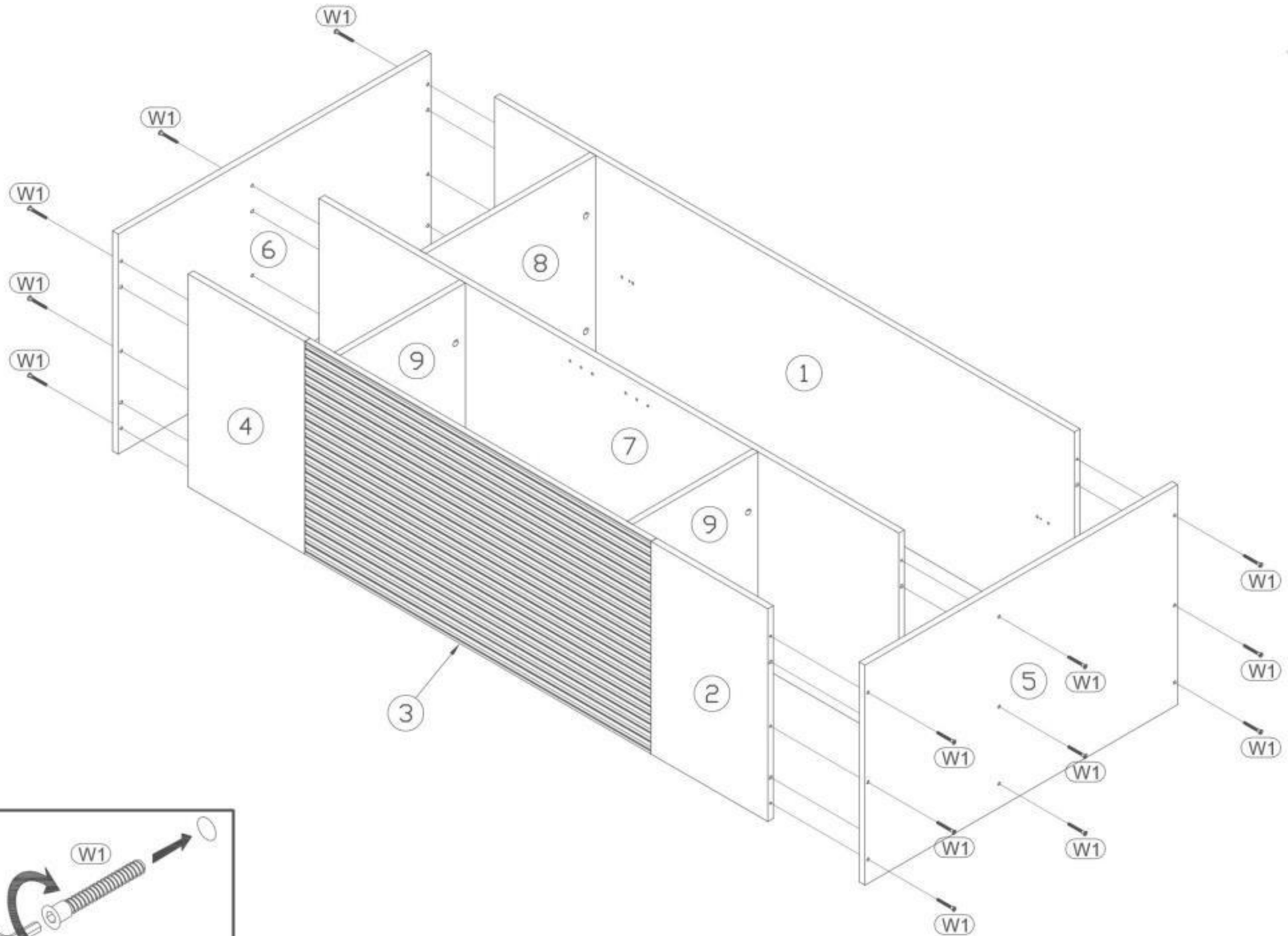
3



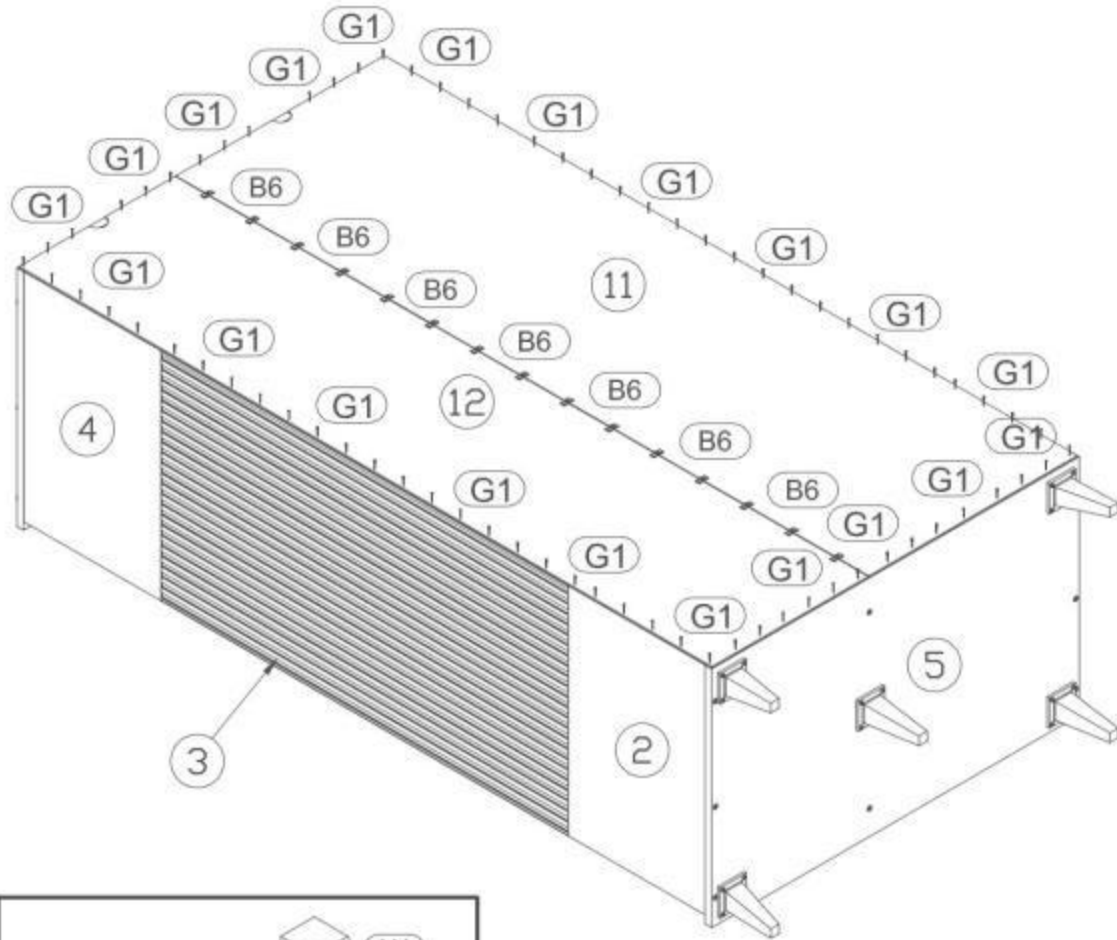
4



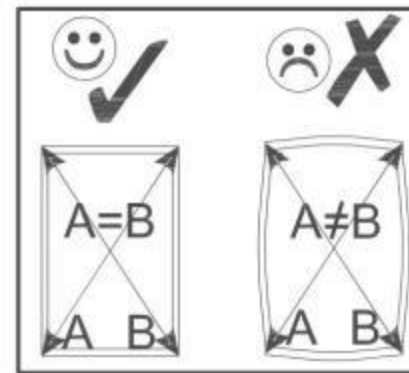
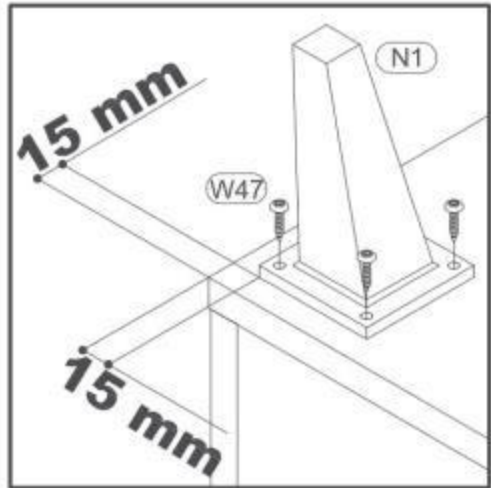
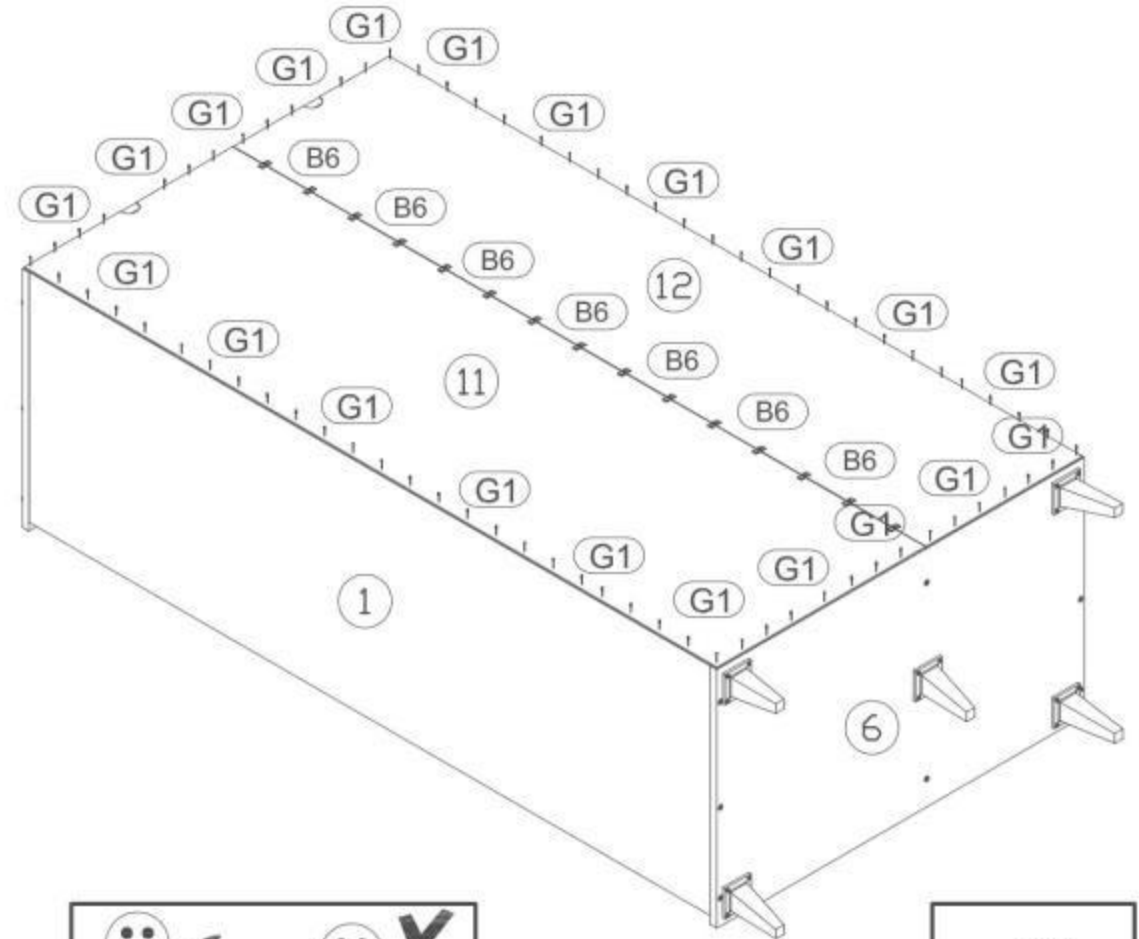
5



6 - RIGHT

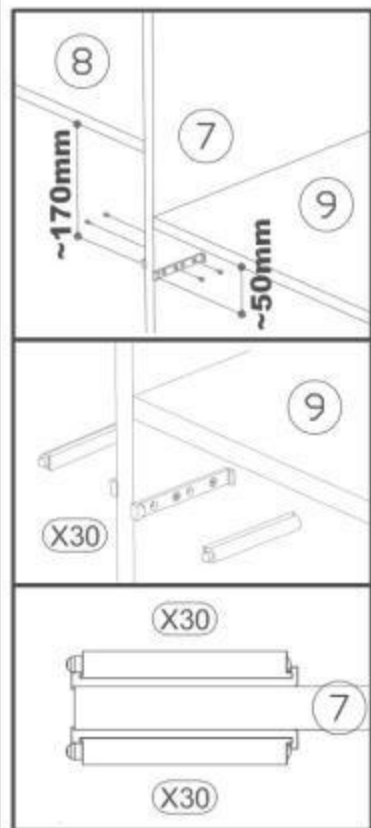
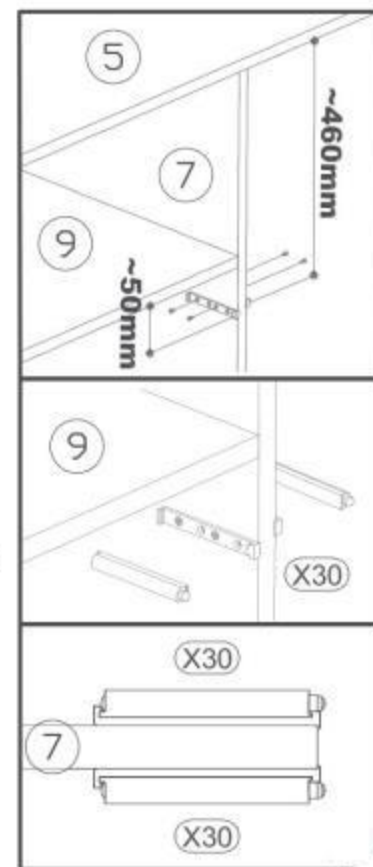
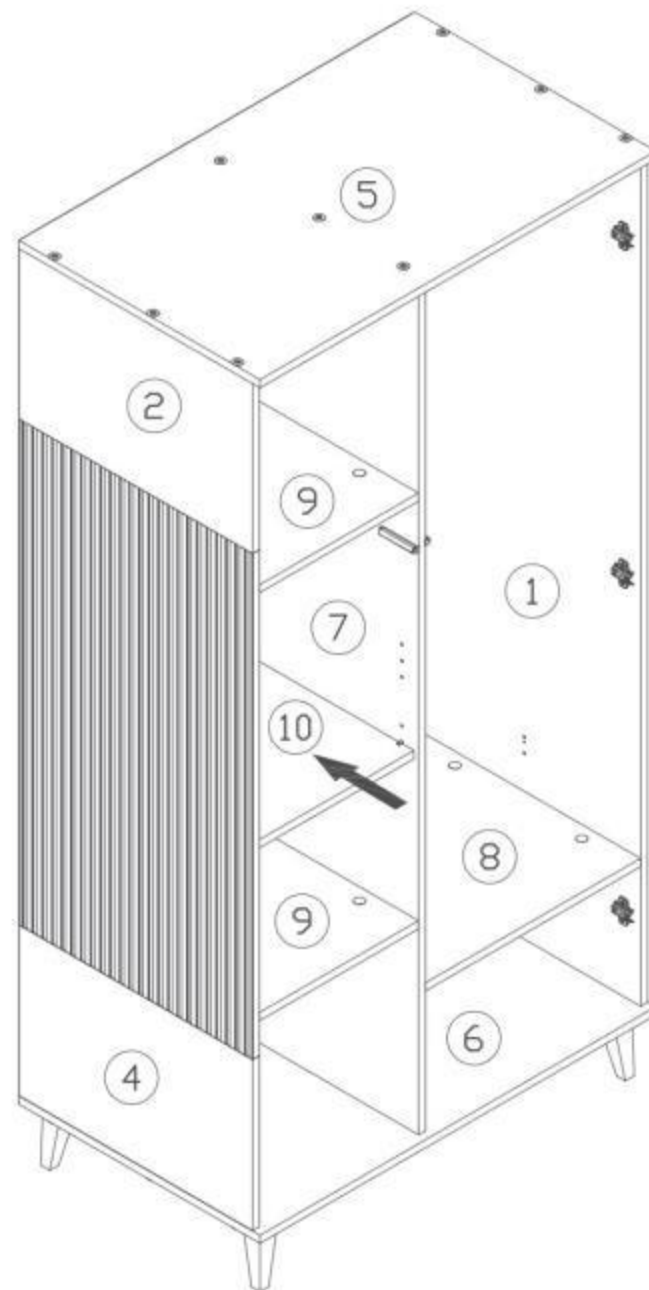
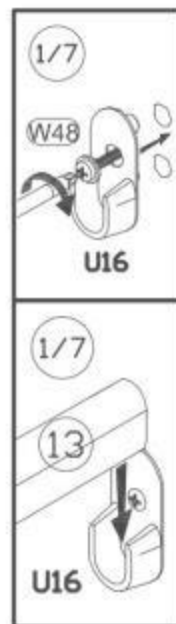
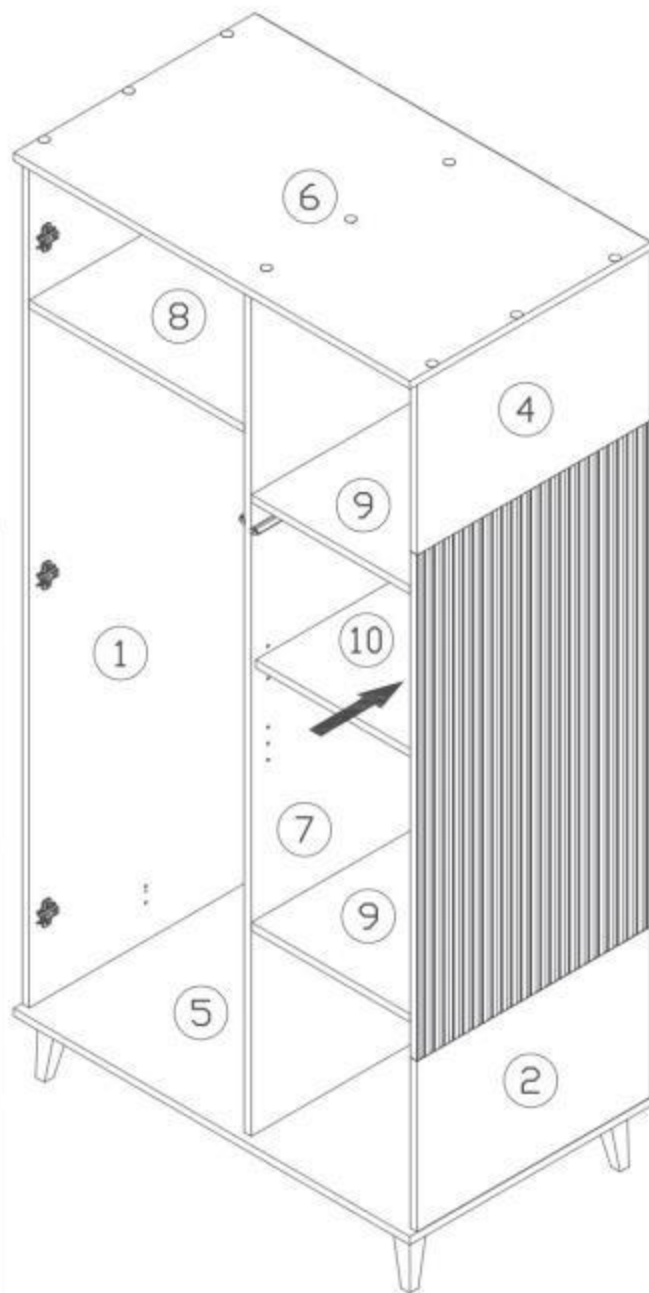


6 - LEFT



7 - RIGHT

7 - LEFT



8 - RIGHT

8 - LEFT

