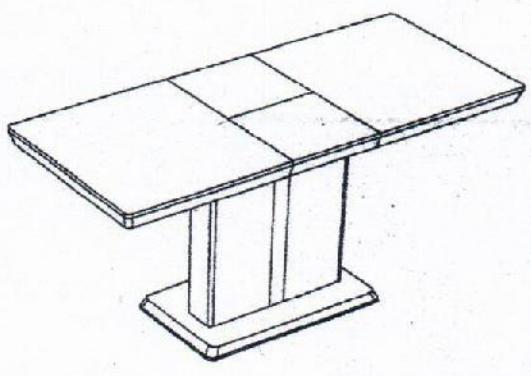
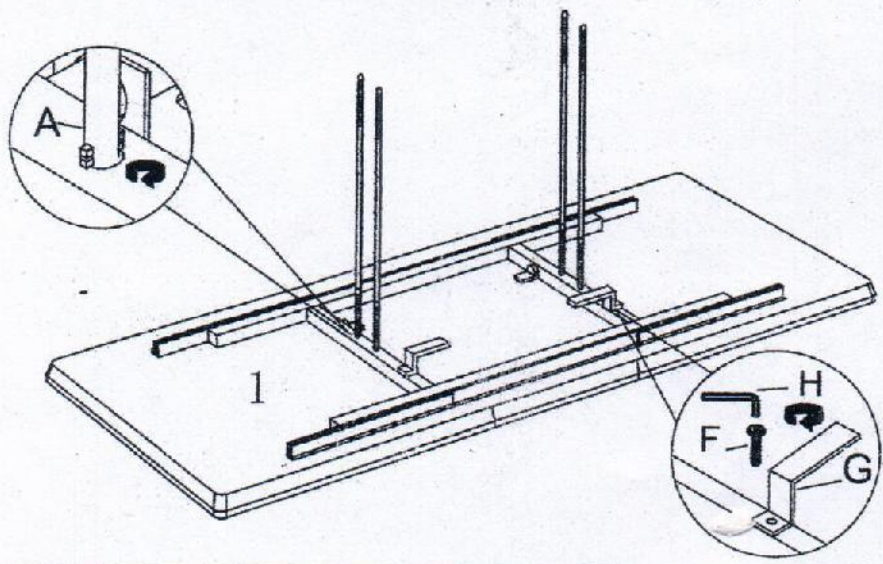


DALLAS

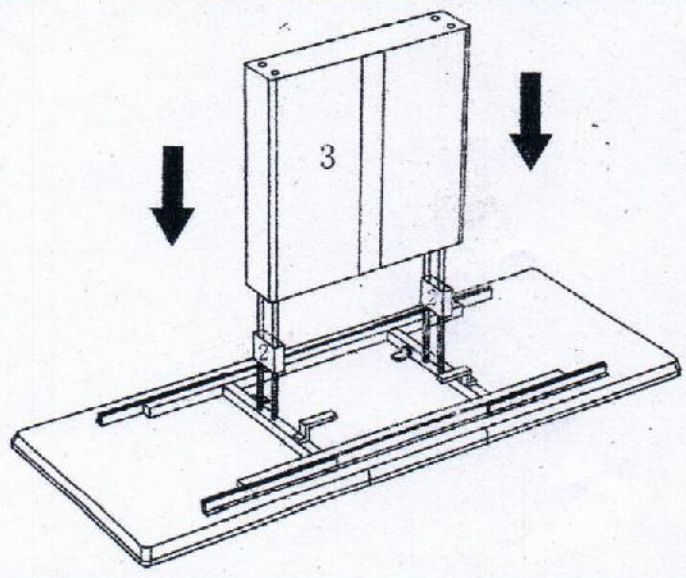


A (M8x700)x4	B (φ22x1.5) x4	C M8x4	D M8x1	E M8x4
F (M6x16)x2	G _{x2} 	H M5x1		
① _{x1} 		② _{x2} 	③ _{x1} 	
④ _{x1} 				

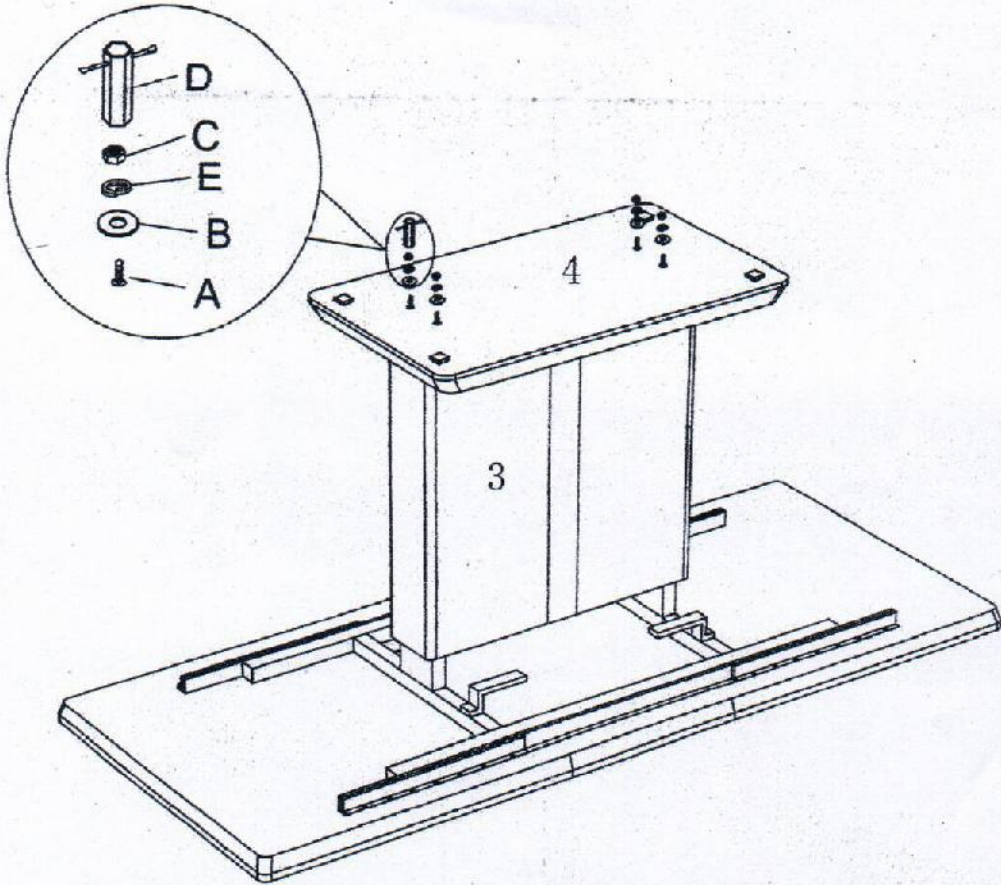
1



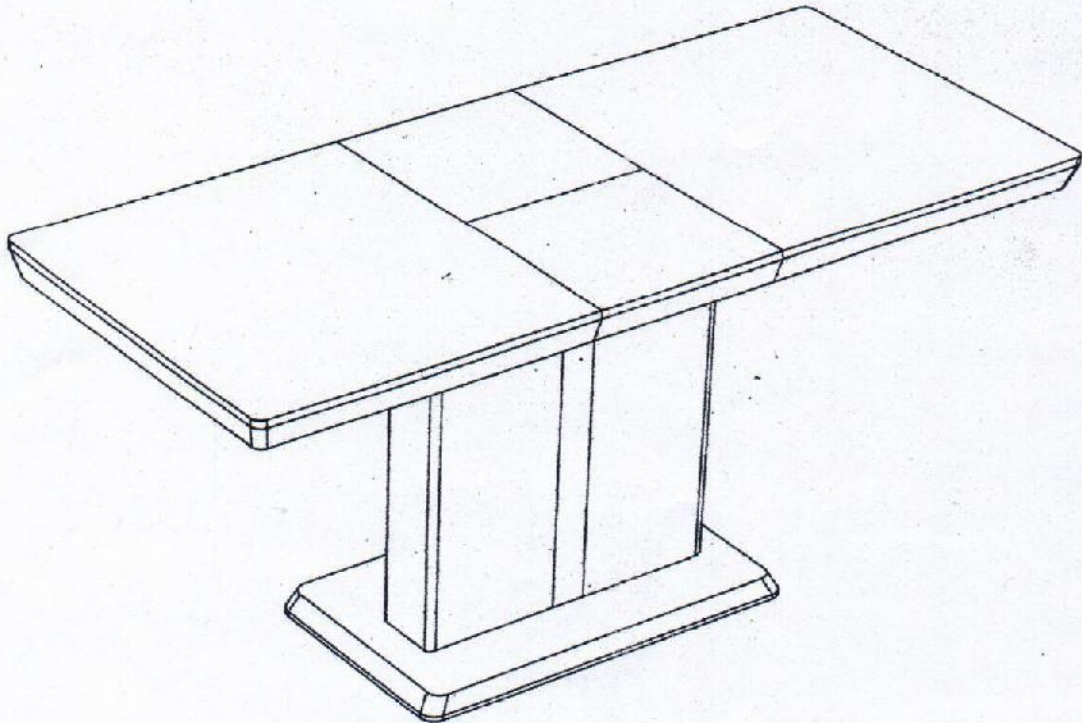
2



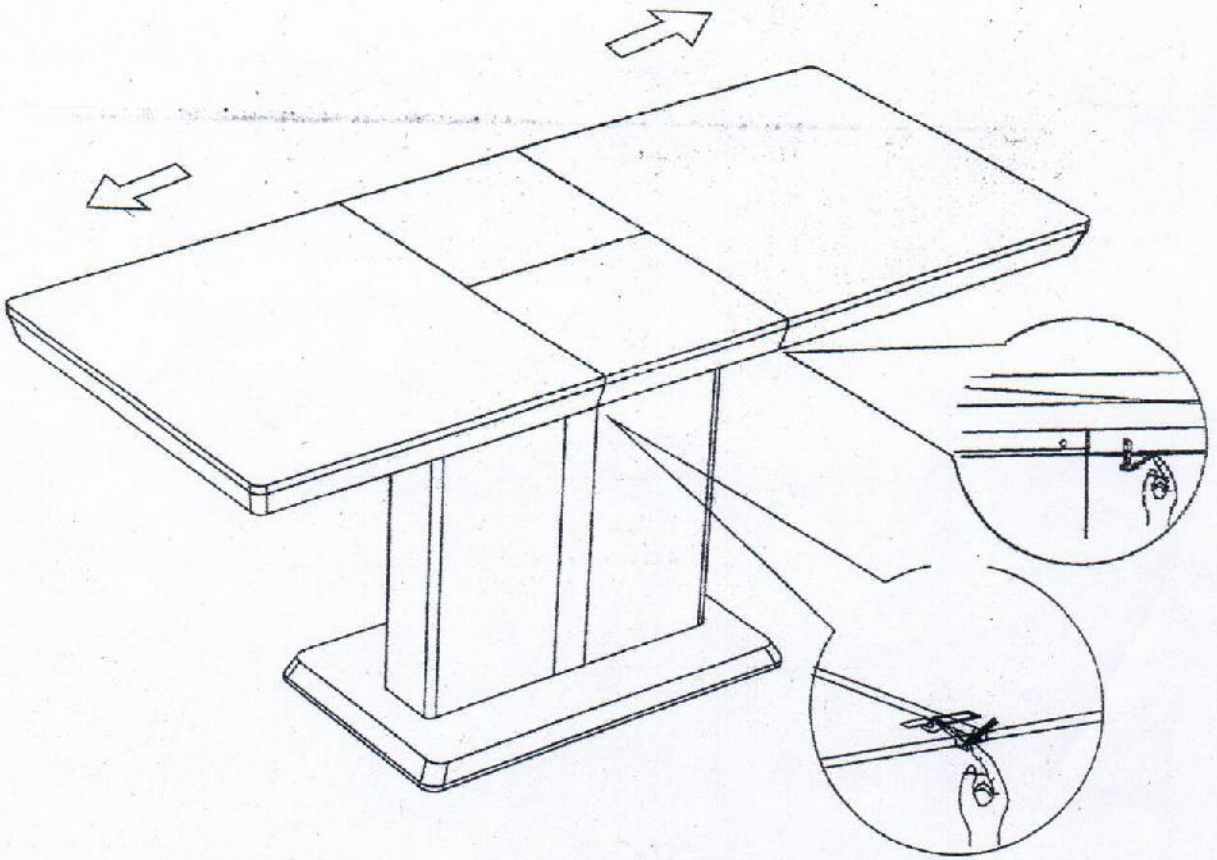
3



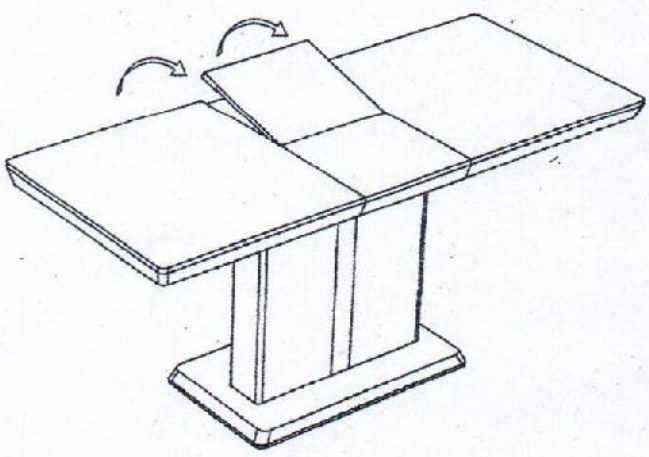
4



5



6



7

