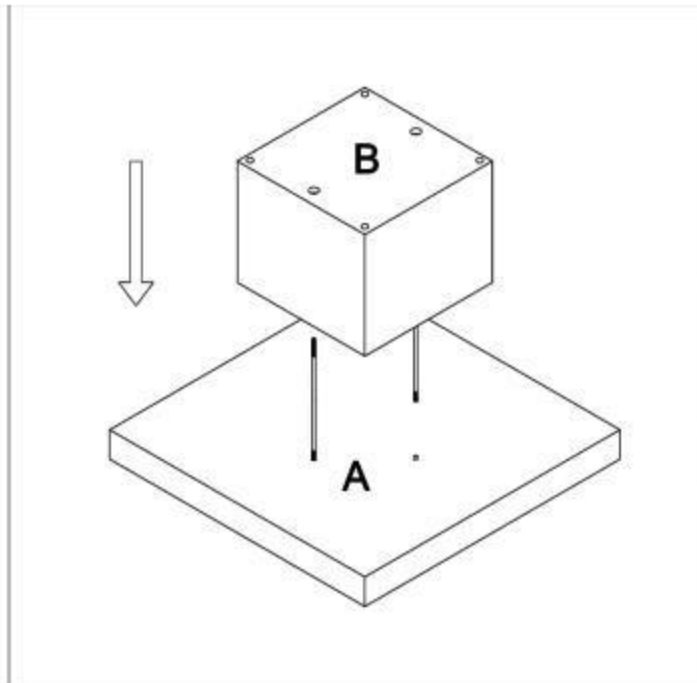
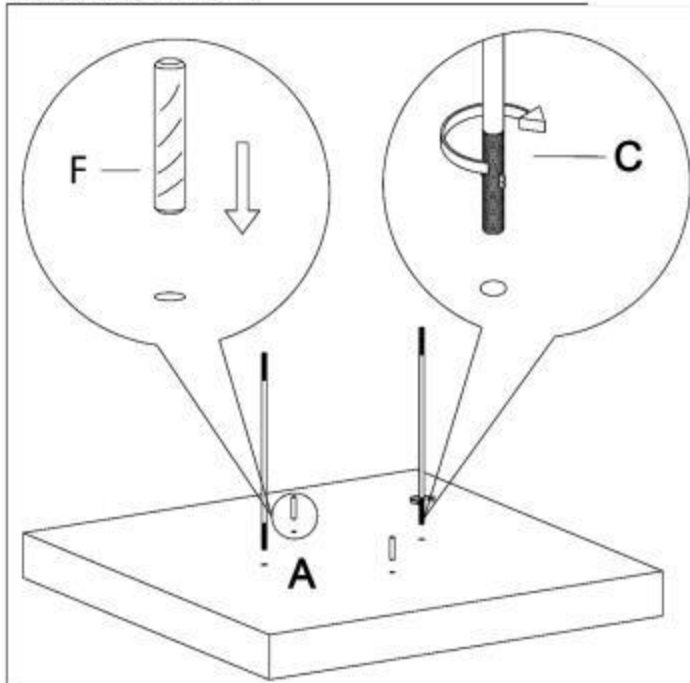


# MONOLIT



A	(800x800x80)	x1
B	(400x400x330mm)	x1
C	(M8x350mm)	x2
D	(M8mm)	x2
E	(M8mm)	x2
F	(Ø8x40mm)	x2
G	(M8xØ22mm)	x2
I	(14#)	x1

