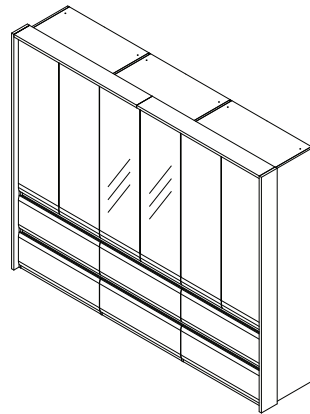
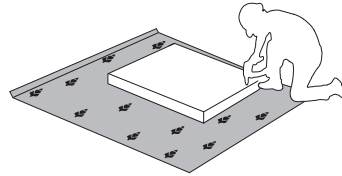
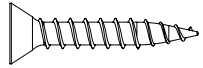
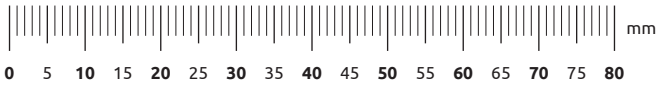
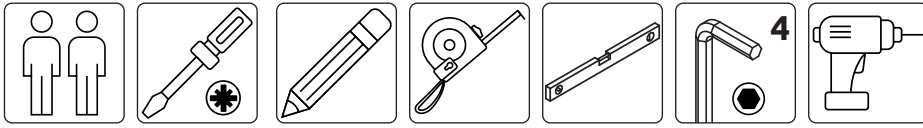


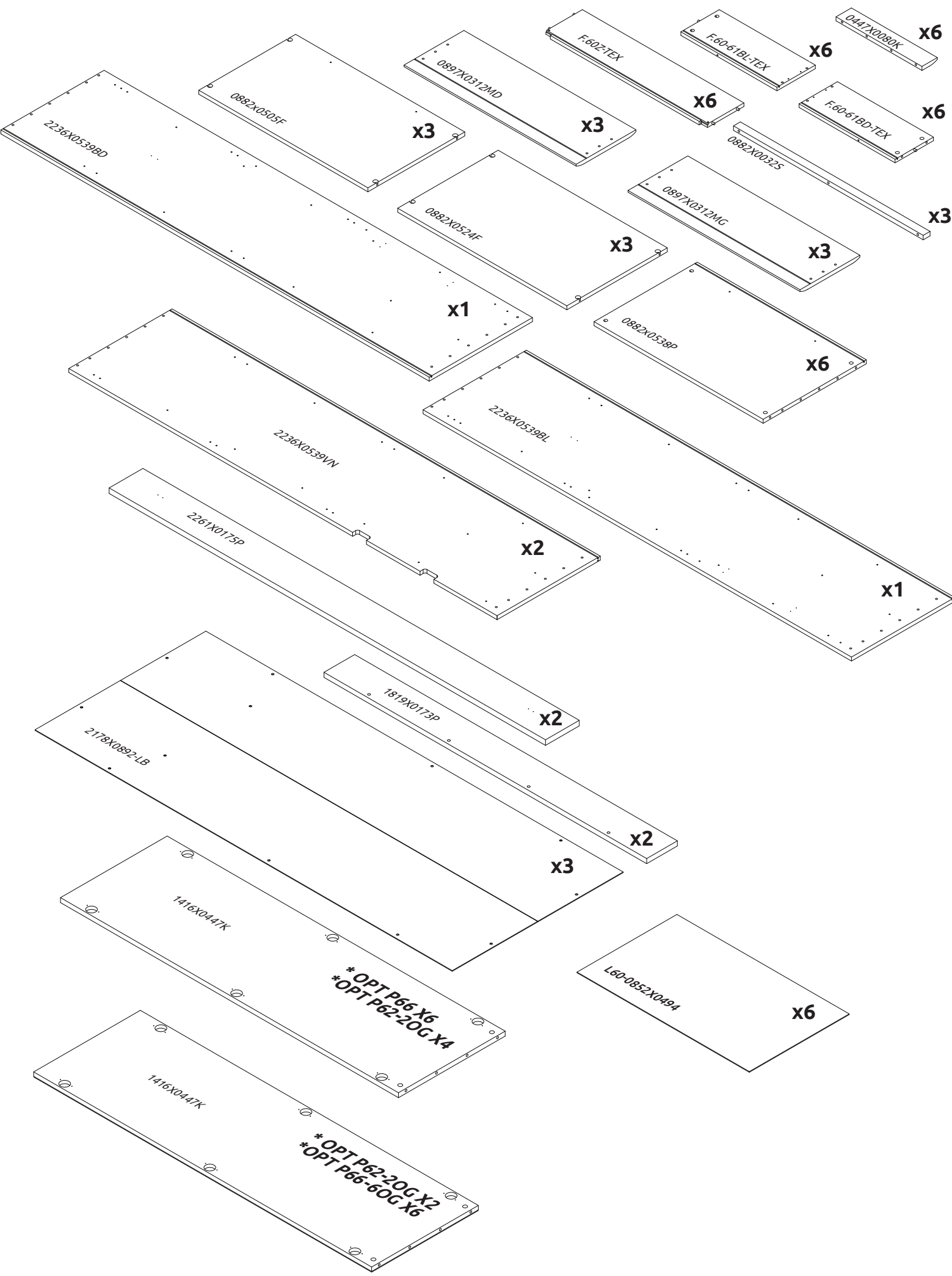


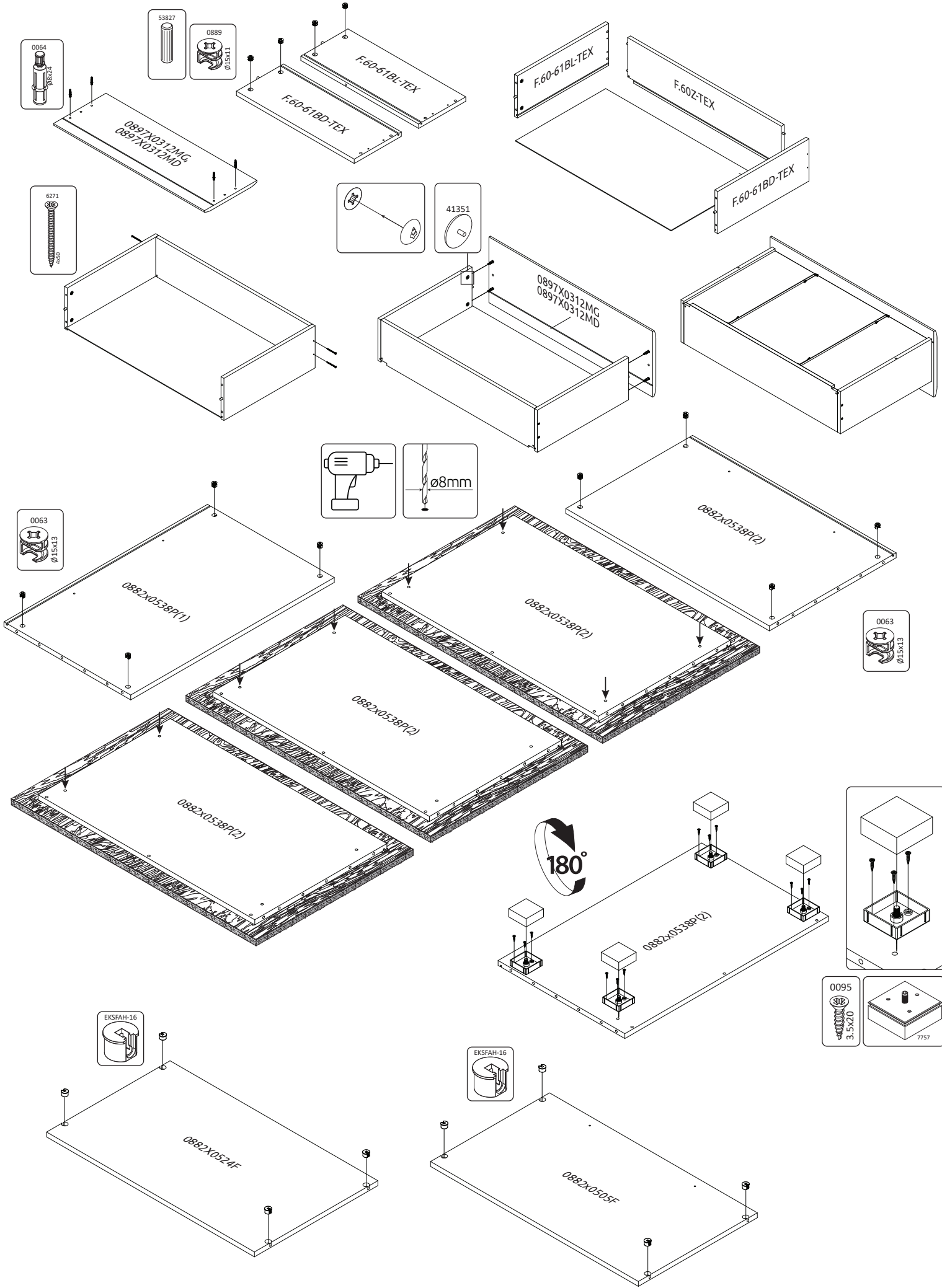
IMPORTANT - READ CAREFULLY - RETAIN FOR FUTURE REFERENCE  
 WICHTIG - SORGFÄLTIG LESEN UND AUFBEWAHREN

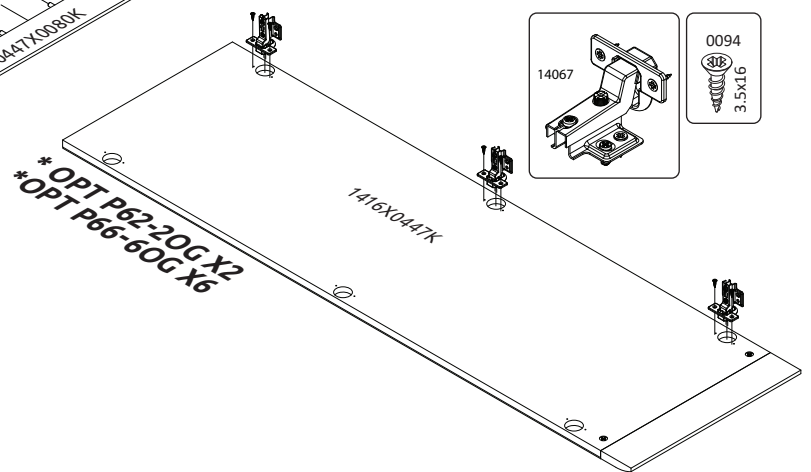
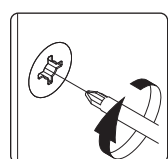
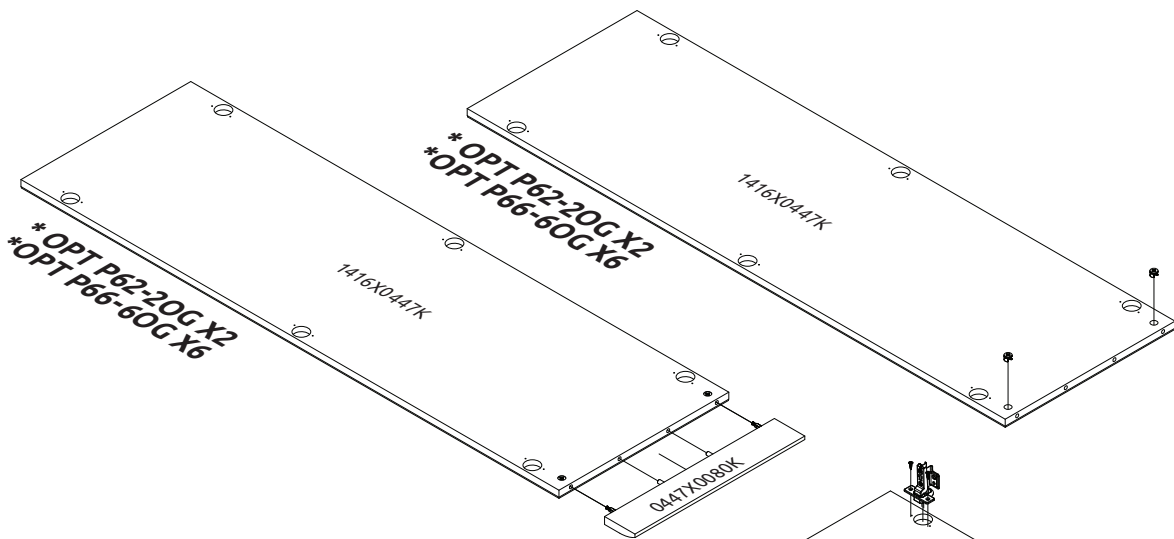
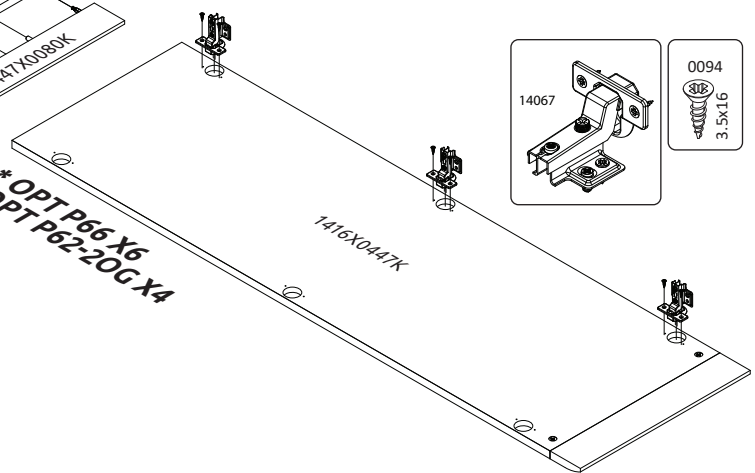
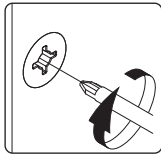
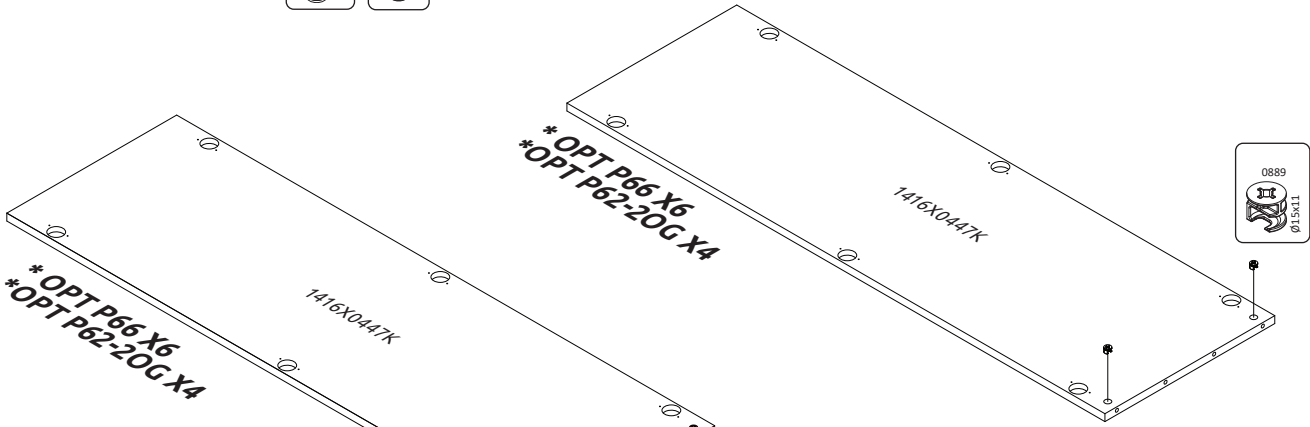
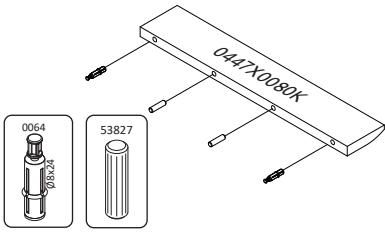


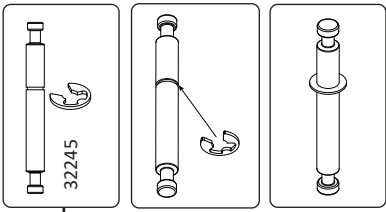
**P66-20G/IC**  
 LWH - 2768x597x2261

- |                              |                     |                            |                            |                             |                     |                     |                            |                            |                     |                              |                              |                              |                           |                    |
|------------------------------|---------------------|----------------------------|----------------------------|-----------------------------|---------------------|---------------------|----------------------------|----------------------------|---------------------|------------------------------|------------------------------|------------------------------|---------------------------|--------------------|
| <b>x66</b><br>0094<br>3.5x16 | <b>x60</b><br>2149  | <b>x30</b><br>0096<br>4x18 | <b>x16</b><br>2114<br>4x35 | <b>x24</b><br>10359<br>3x12 | <b>x56</b><br>0102  | <b>x24</b><br>16535 | <b>x44</b><br>0064<br>6x12 | <b>x6</b><br>0104          | <b>x56</b><br>53827 | <b>x24</b><br>0063<br>Ø15x13 | <b>x12</b><br>0889<br>Ø15x11 | <b>x24</b><br>0065<br>Ø15x10 | <b>x3</b><br>0113<br>GLUE | <b>x8</b><br>38277 |
| <b>x18</b><br>14067          | <b>x3</b><br>10397  | <b>x3</b><br>7004          | <b>x8</b><br>7757          | <b>x12</b><br>4237          | <b>x36</b><br>41439 | <b>x6</b><br>14081  | <b>x8</b><br>32245         | <b>x24</b><br>6271<br>4x50 | <b>x2</b><br>57915  |                              |                              |                              |                           |                    |
| <b>x24</b><br>41351          | <b>x12</b><br>41437 | <b>x12</b><br>57972        | <b>x12</b><br>57974        | <b>x18</b><br>57973         | <b>x24</b><br>55869 | <b>x6</b><br>6319   | <b>x6</b><br>30838         | <b>x1</b><br>6W<br>32246   |                     |                              |                              |                              |                           |                    |

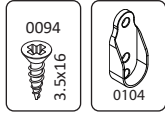






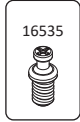


32245



0094  
3.5x16

0104



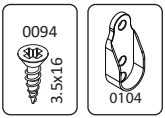
16535



16535

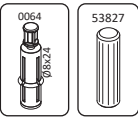


180°



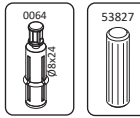
0094  
3.5x16

0104



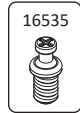
0064

53827

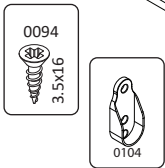


0064

53827



16535



0094  
3.5x16

0104

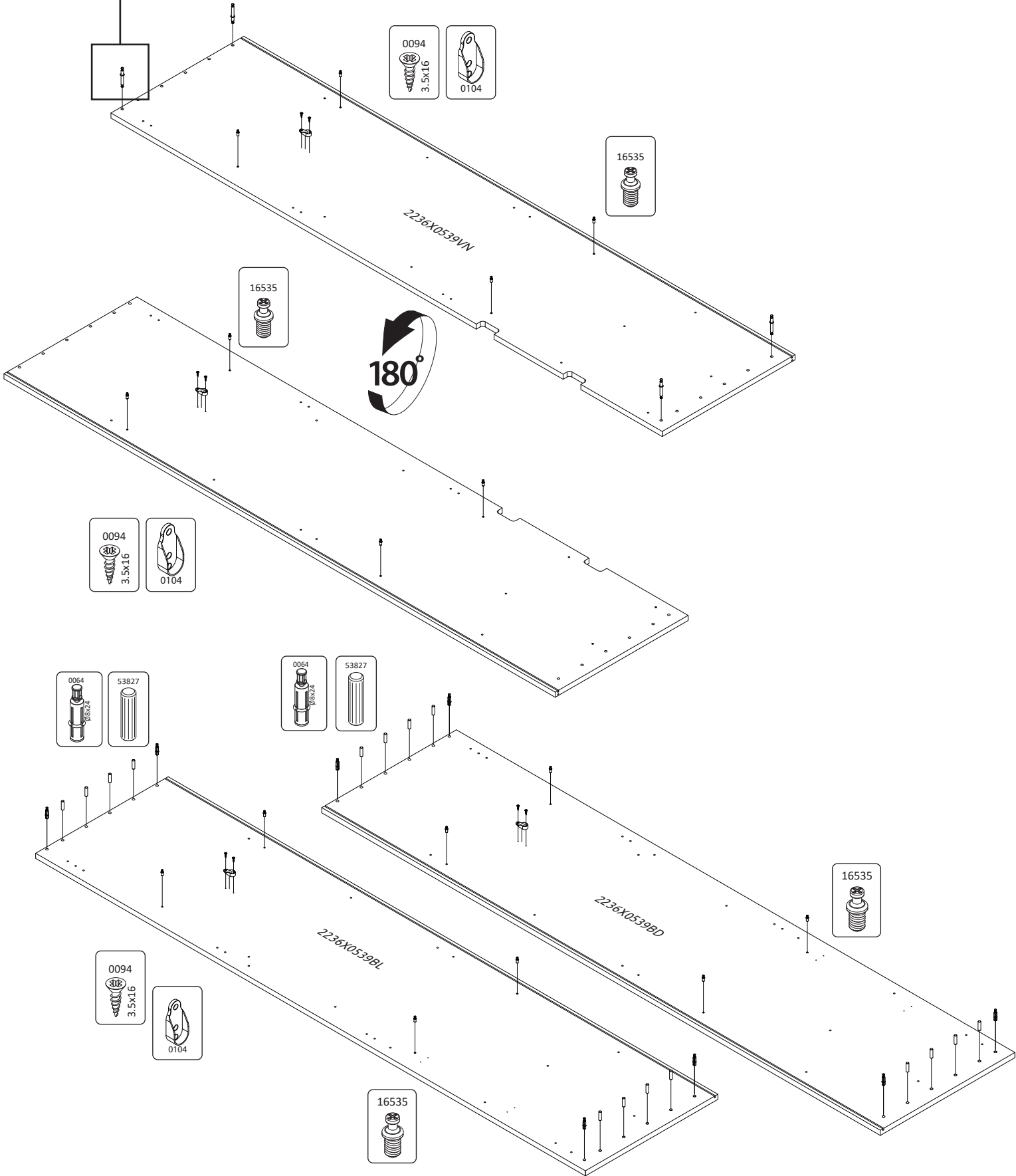


16535

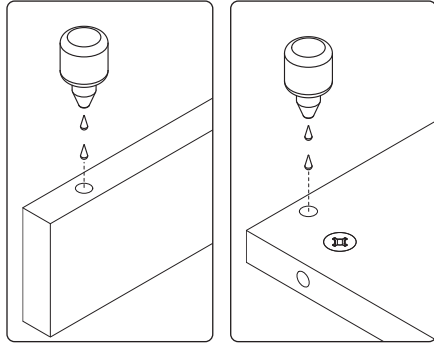
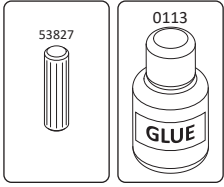


0094  
3.5x16

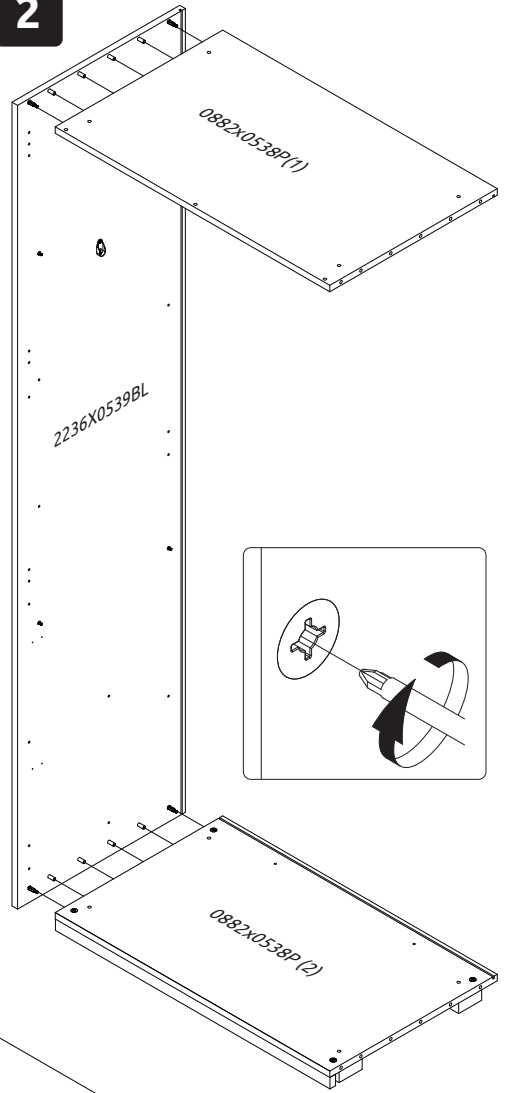
0104



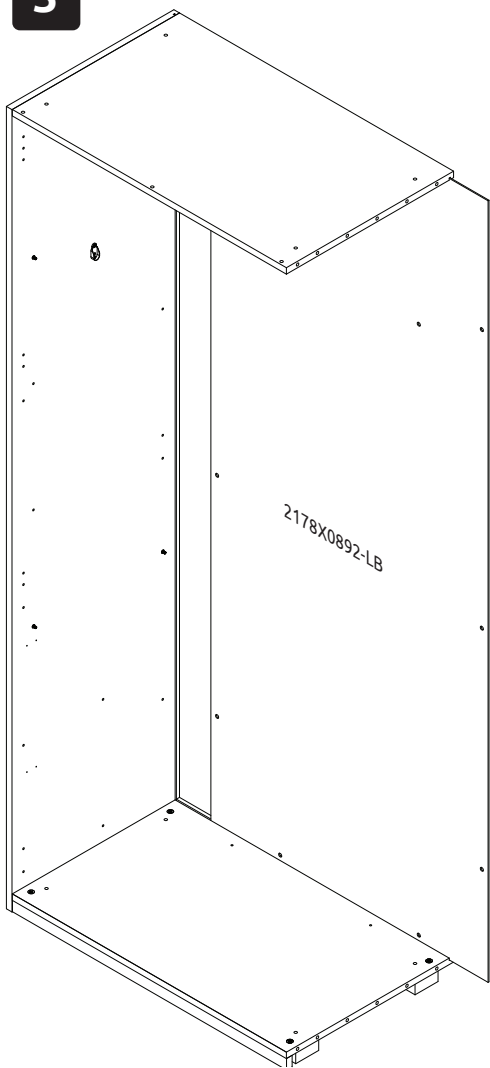
1



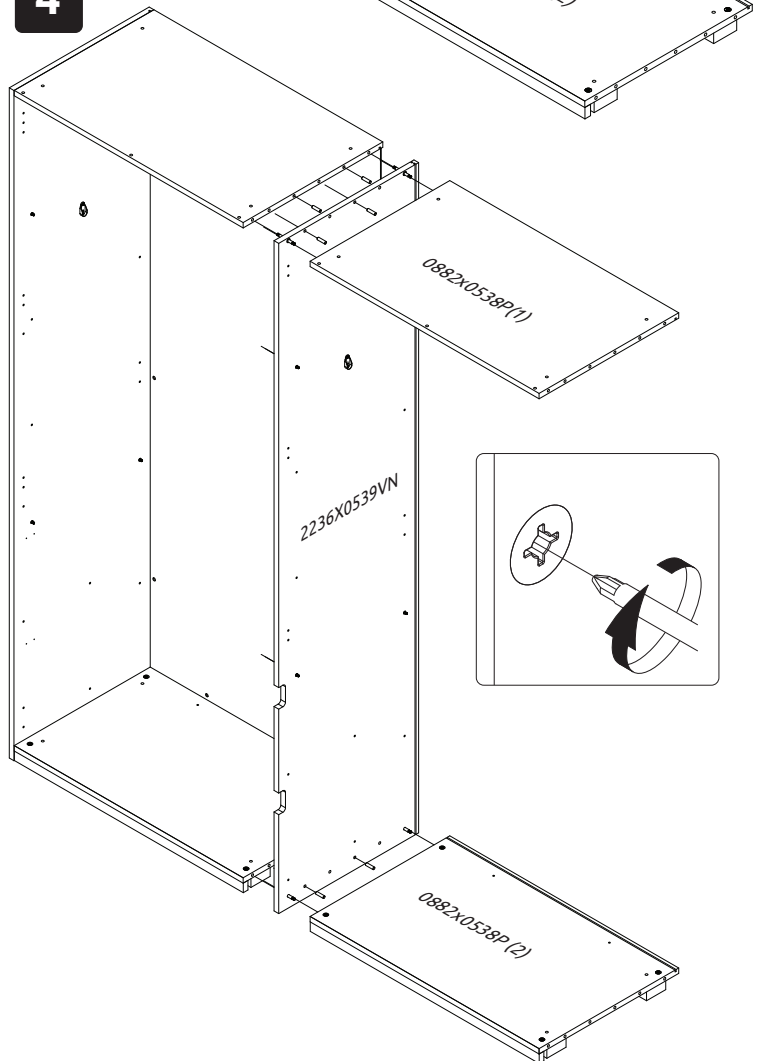
2



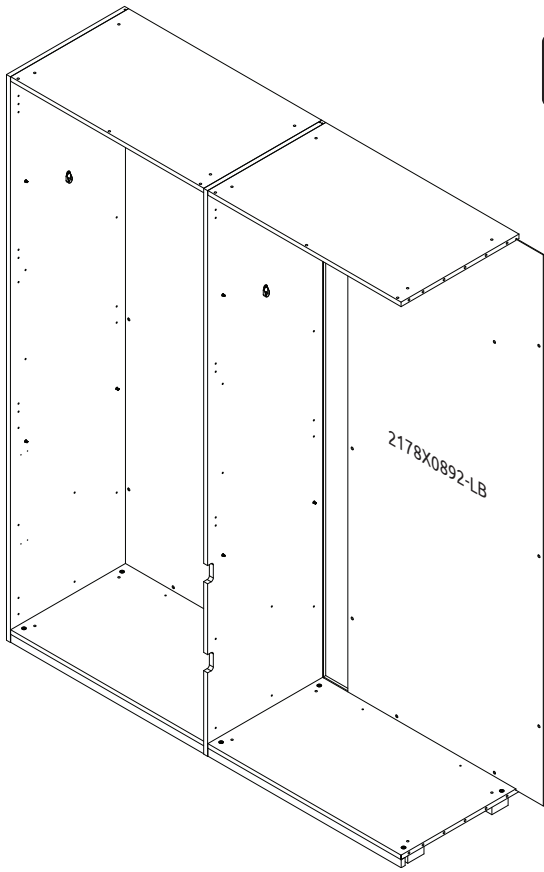
3



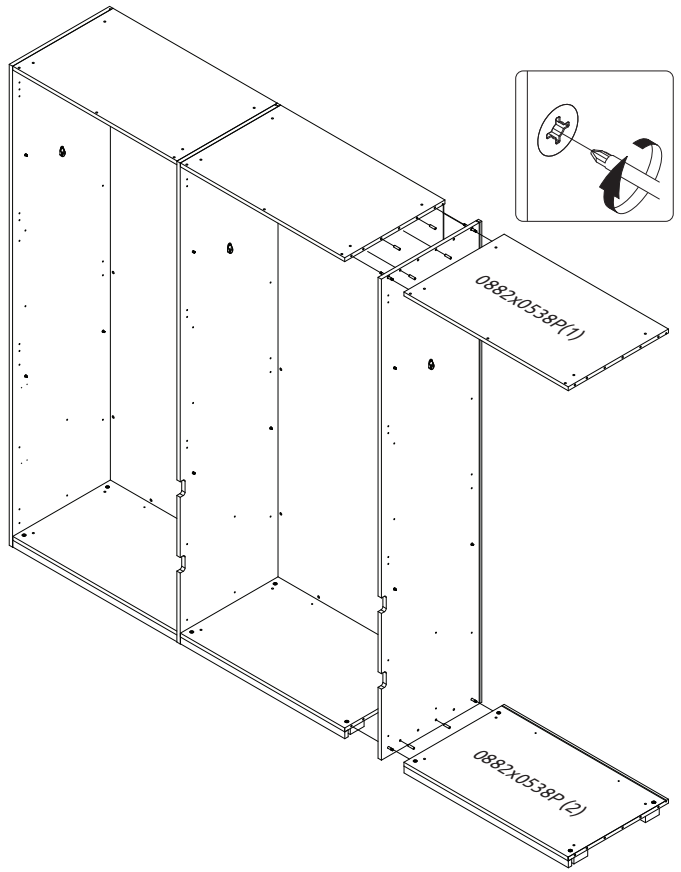
4



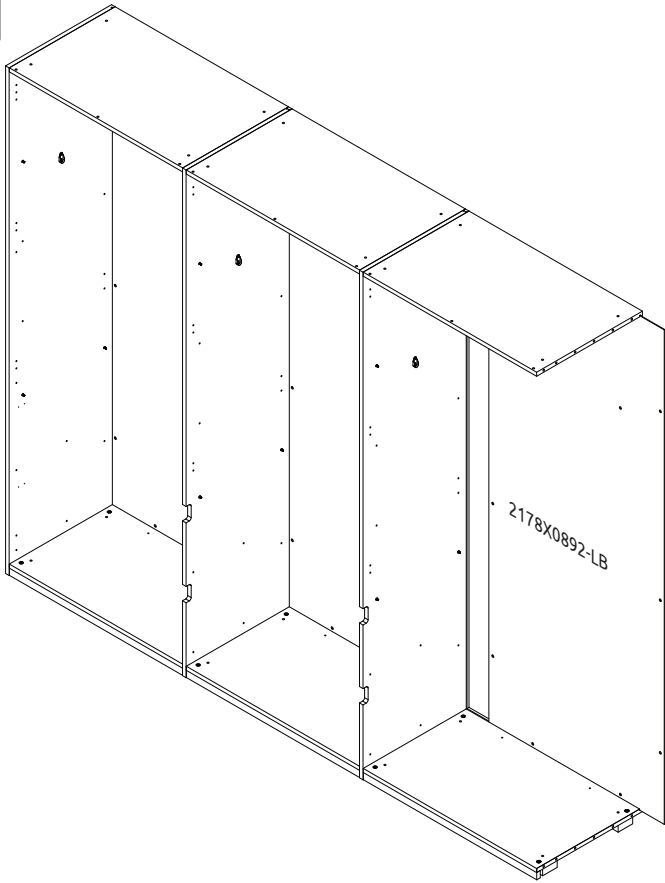
5



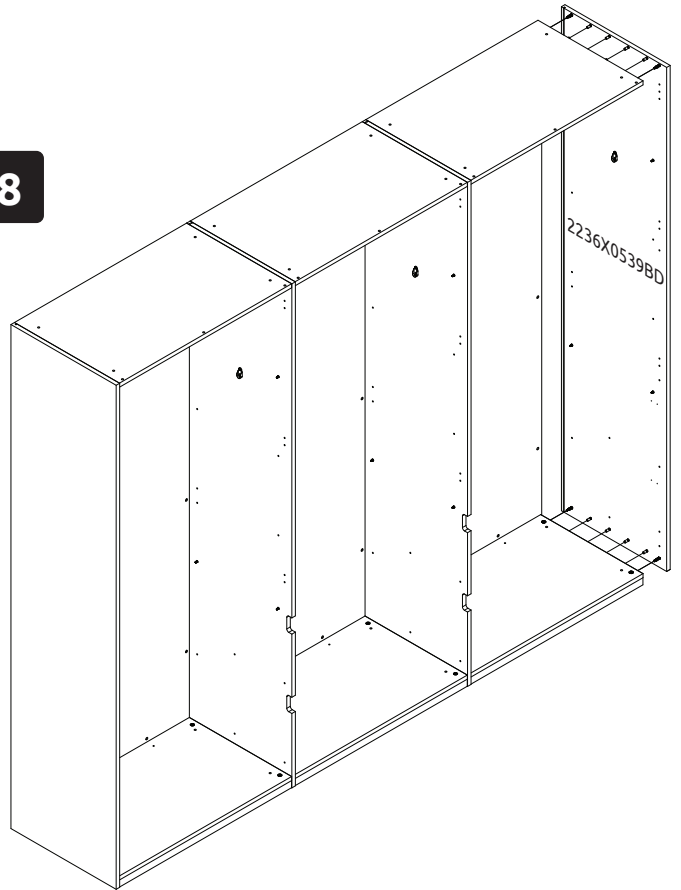
6



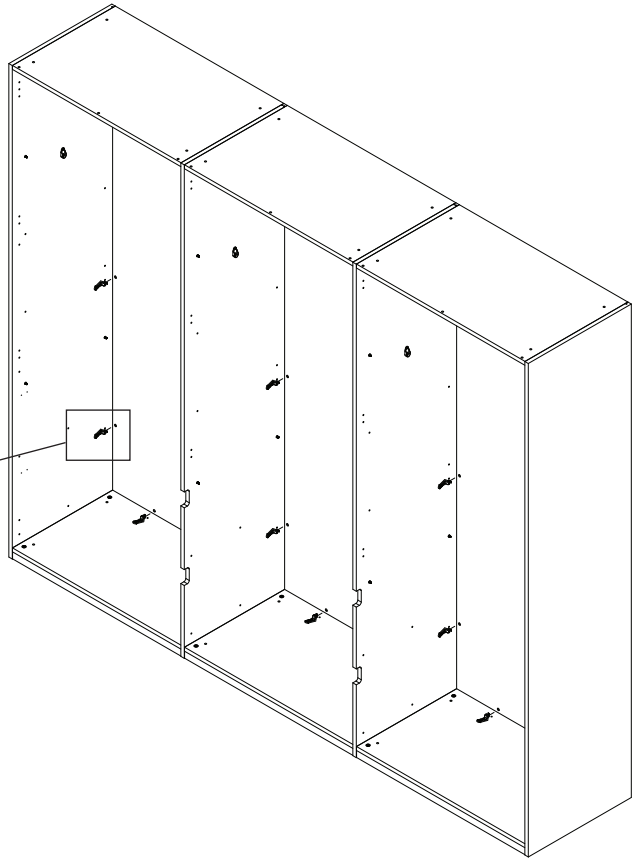
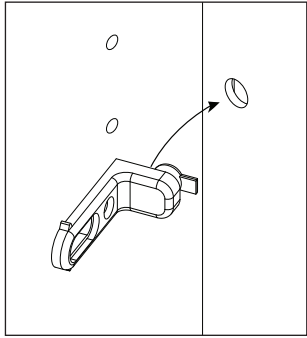
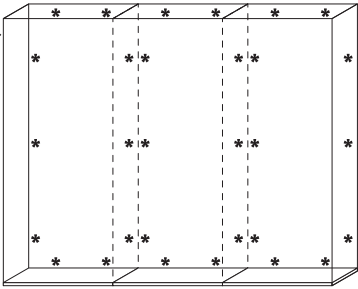
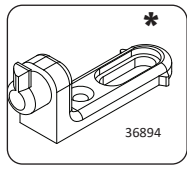
7



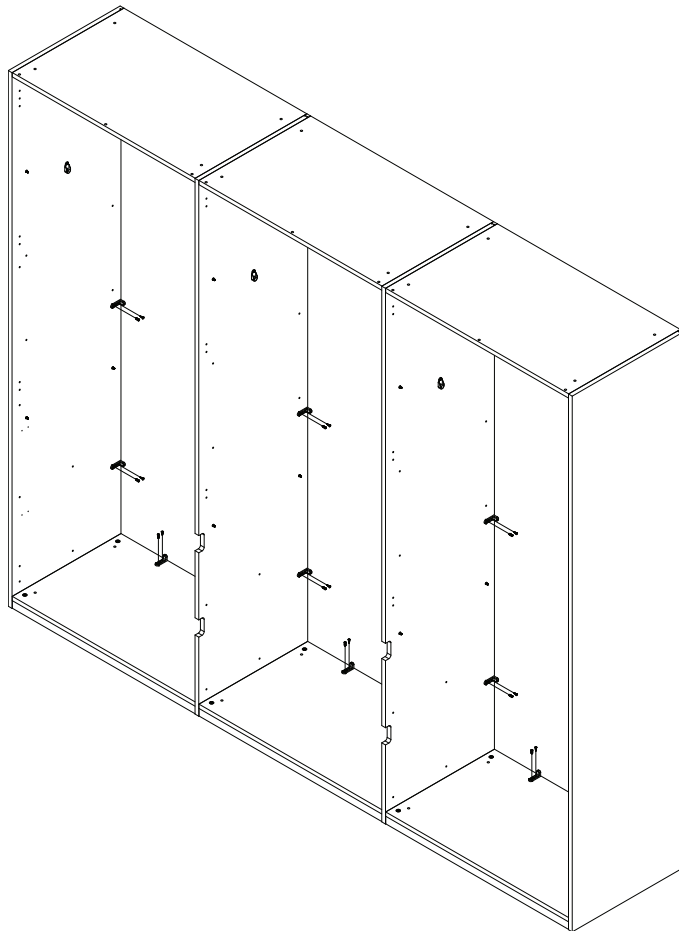
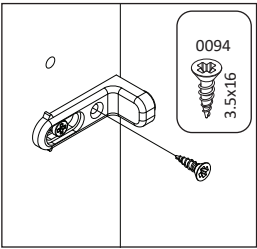
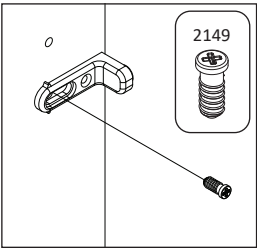
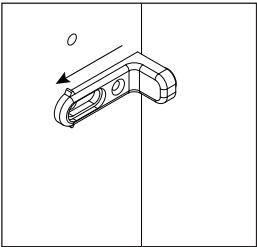
8



9

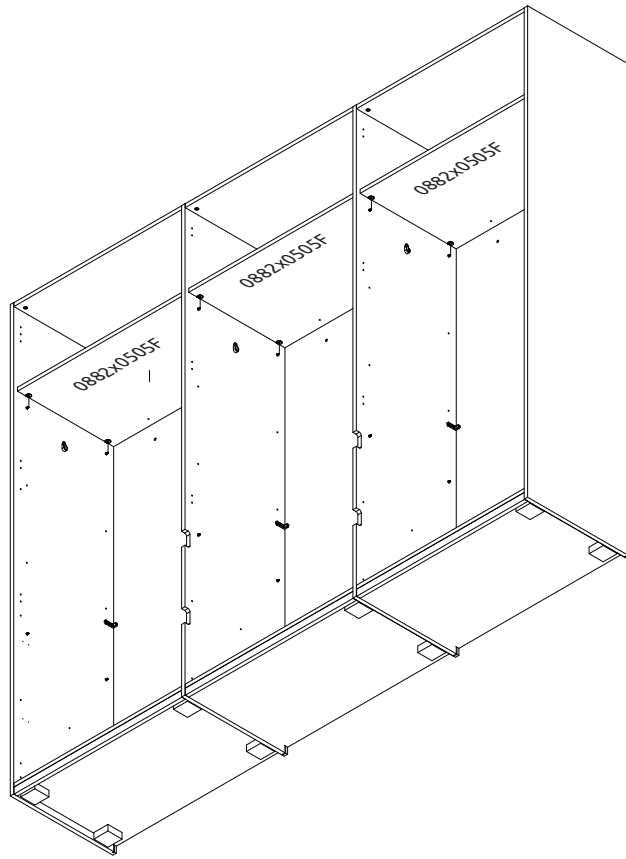


10

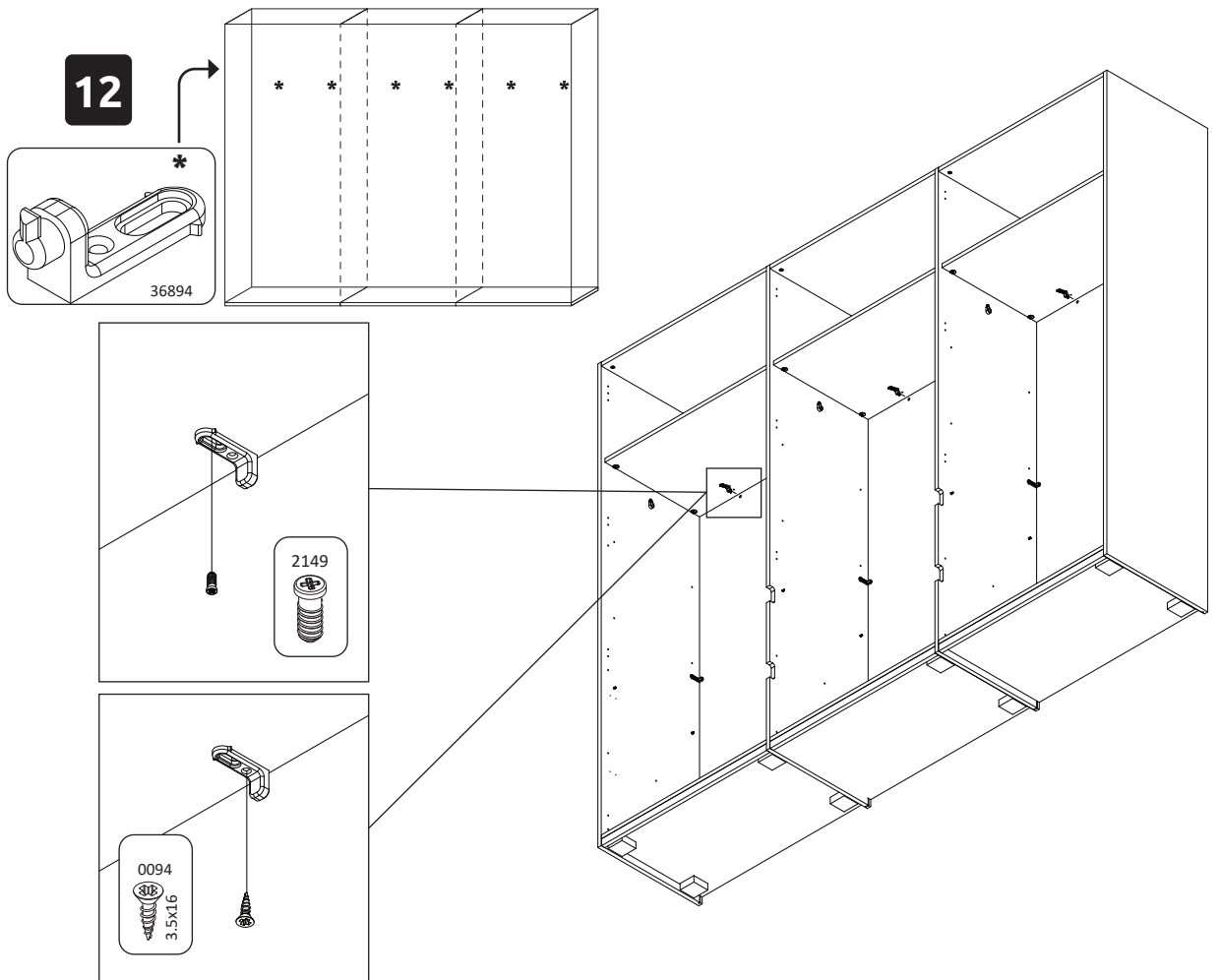




11

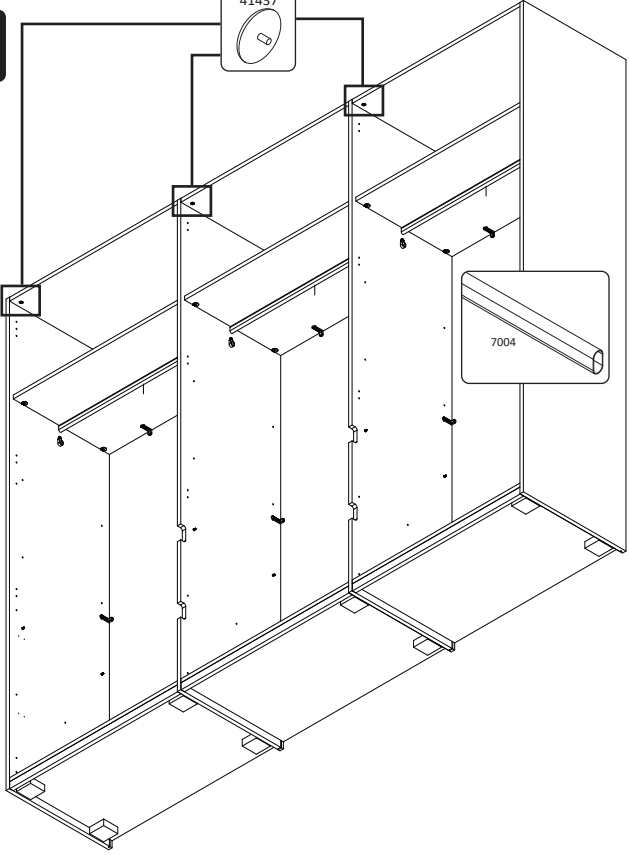


12

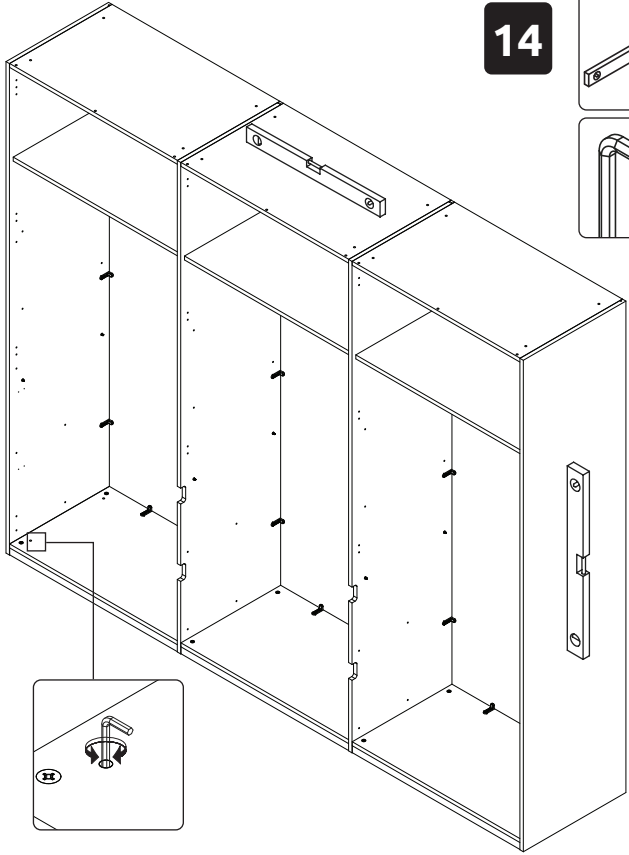
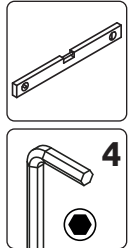


13

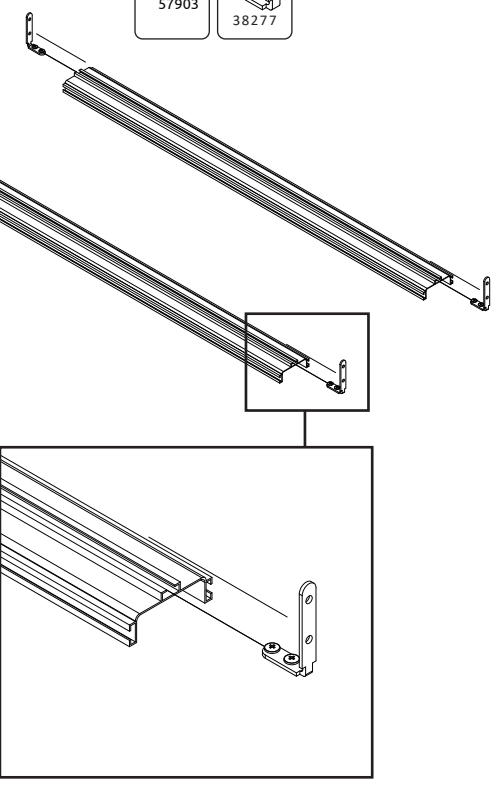
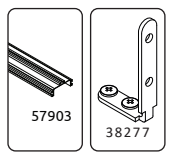
41437



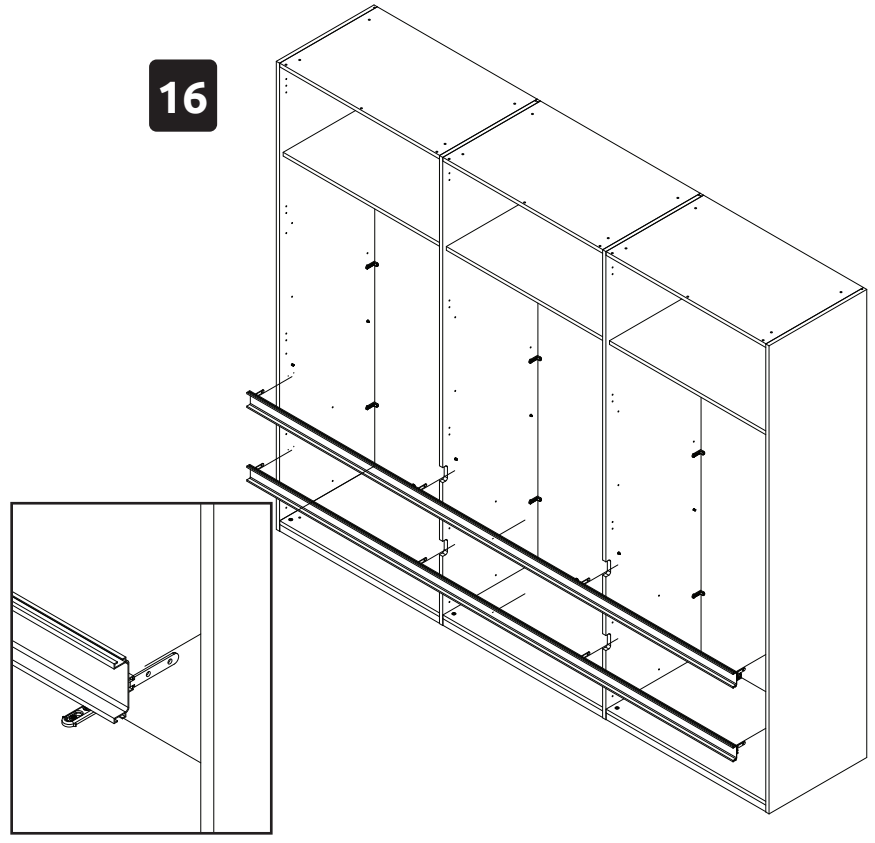
14



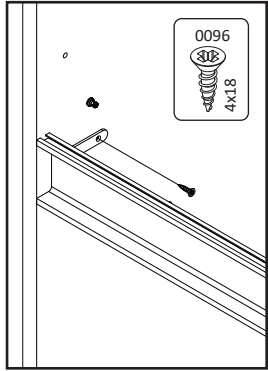
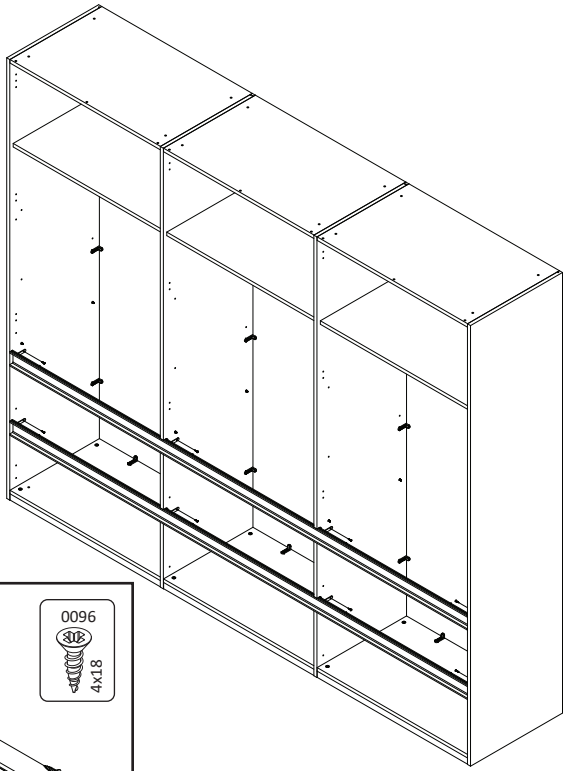
15



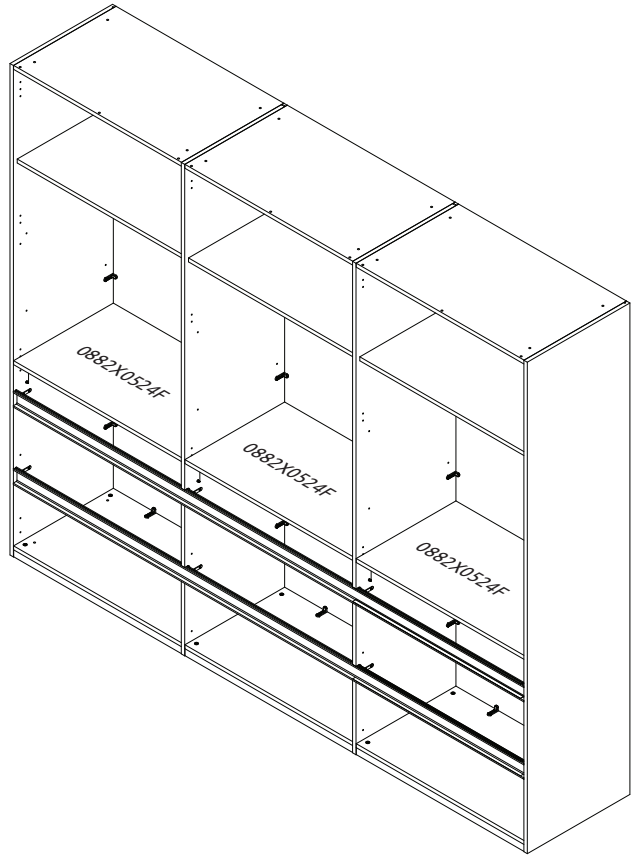
16



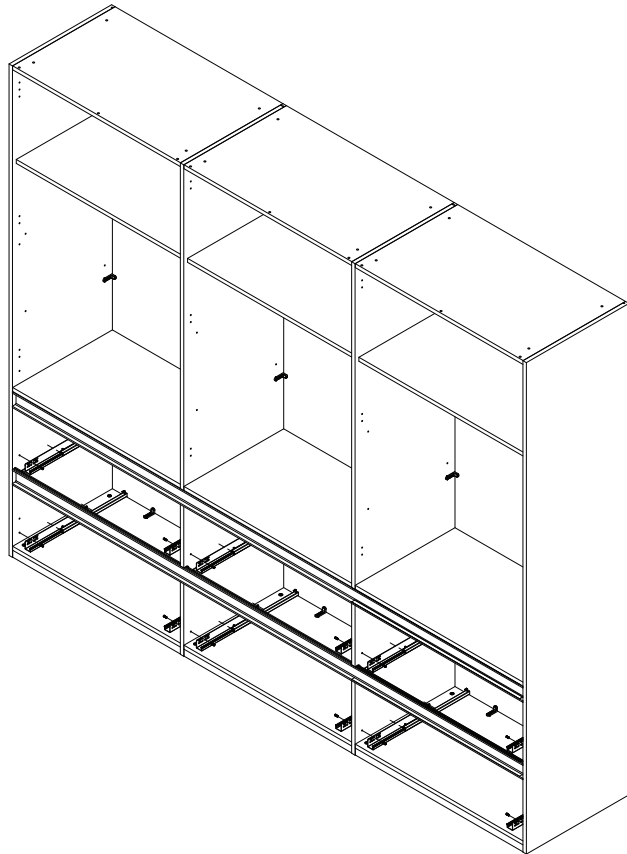
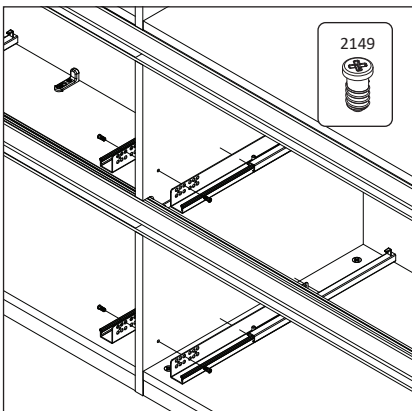
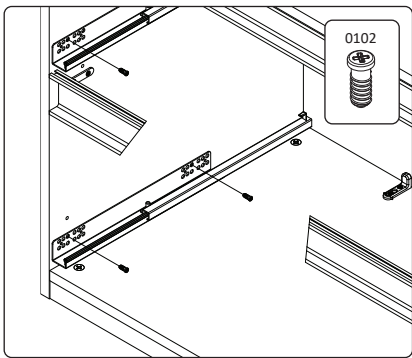
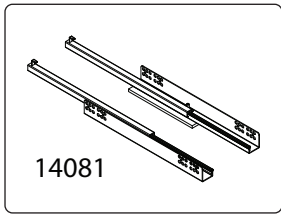
17



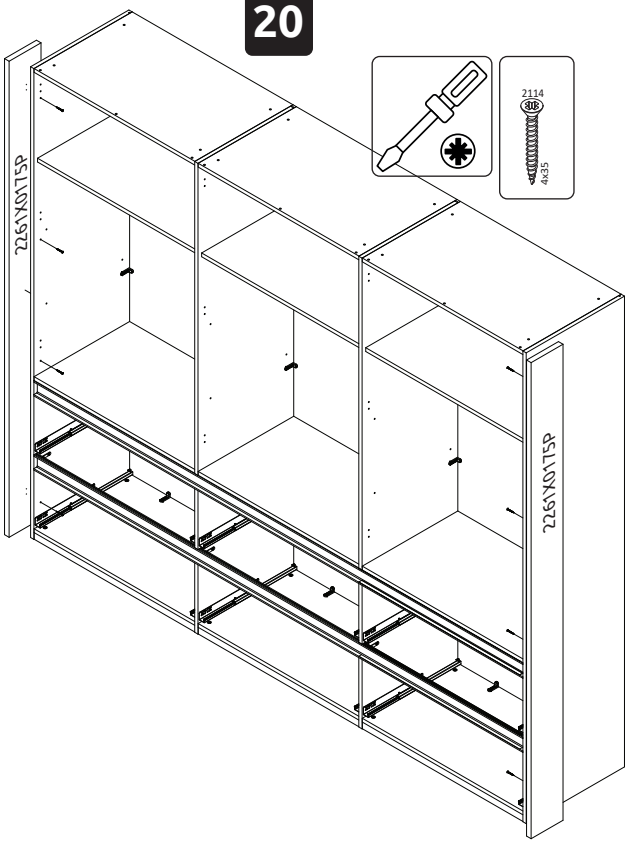
18



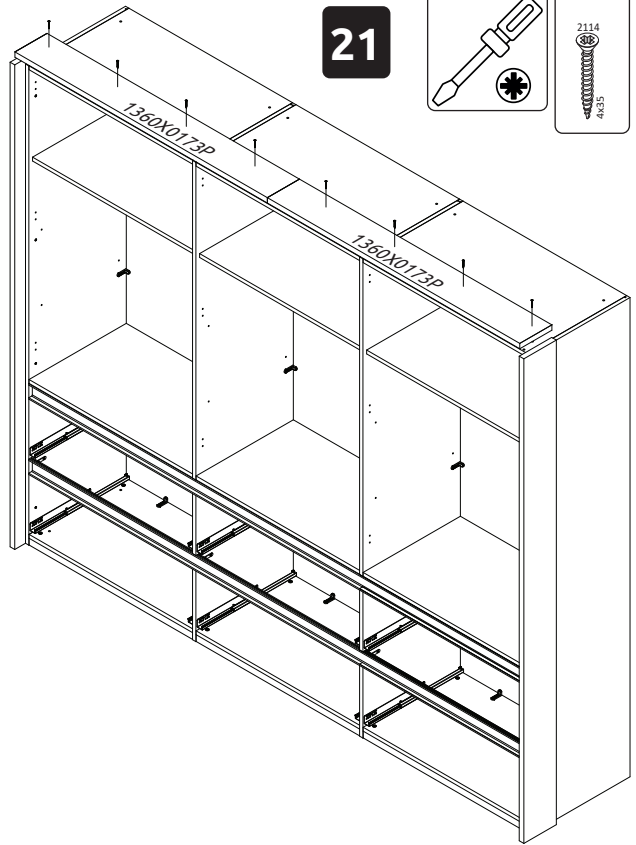
19



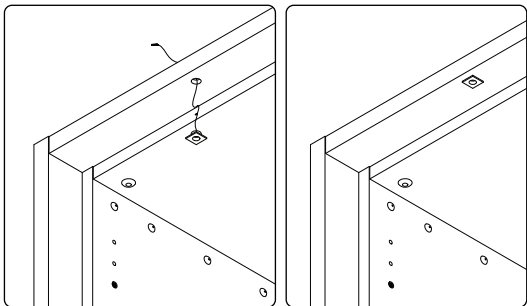
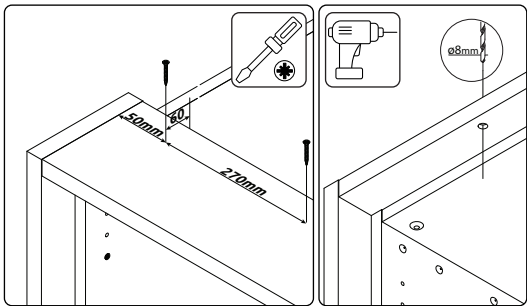
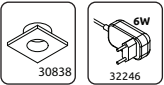
20



21



22



23

