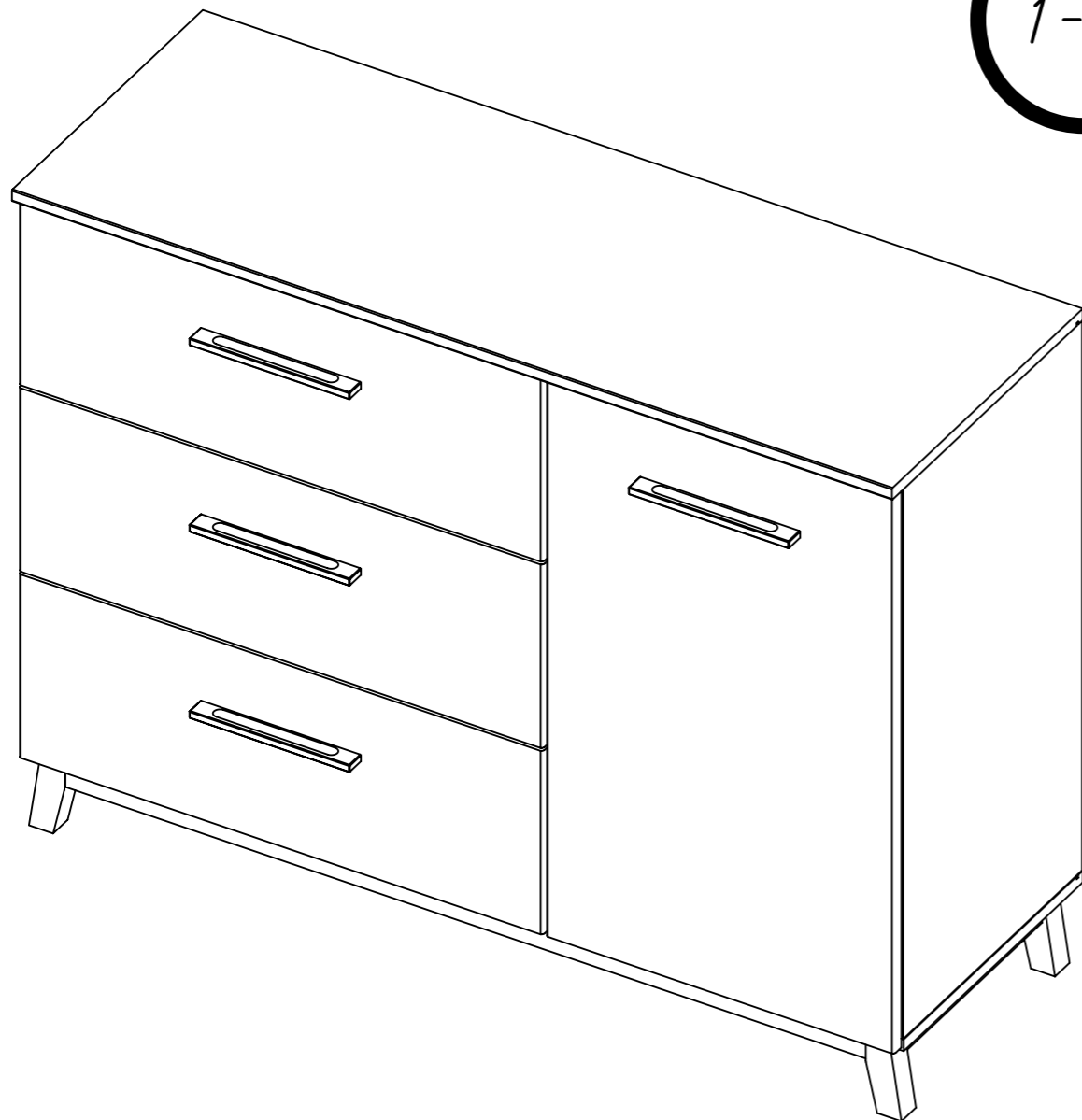
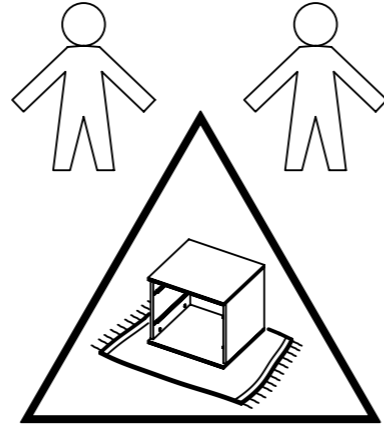
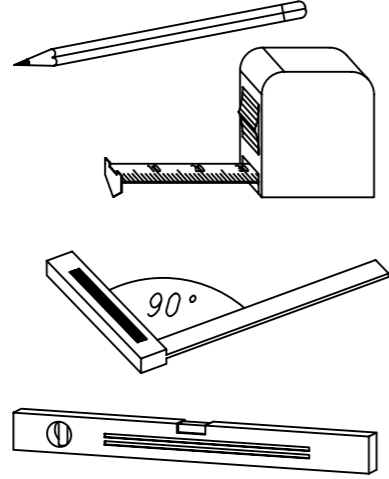
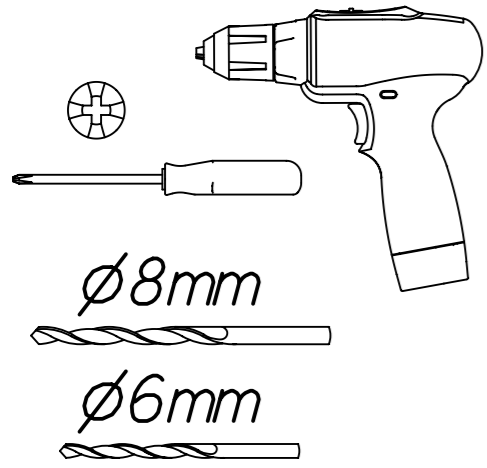


1.

M2430_02

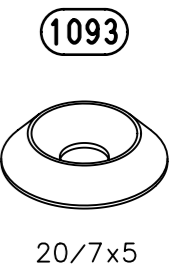
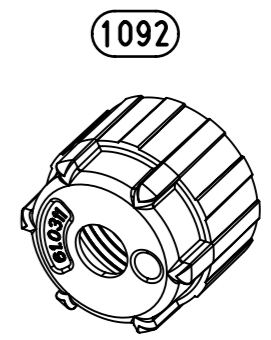
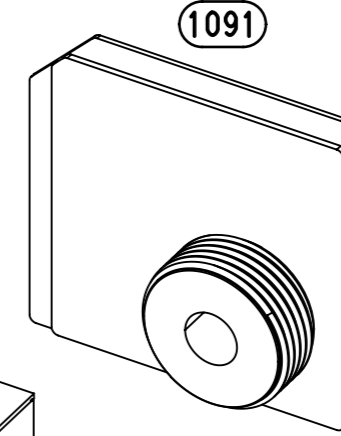
rauch



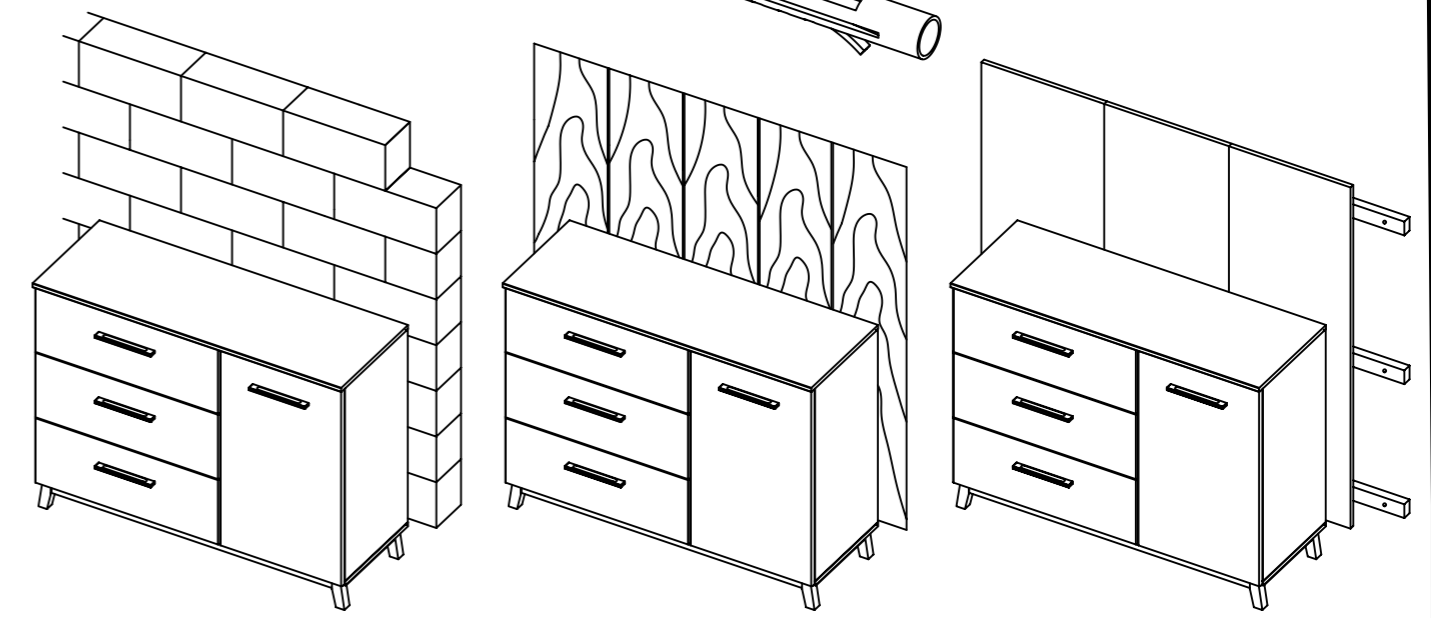
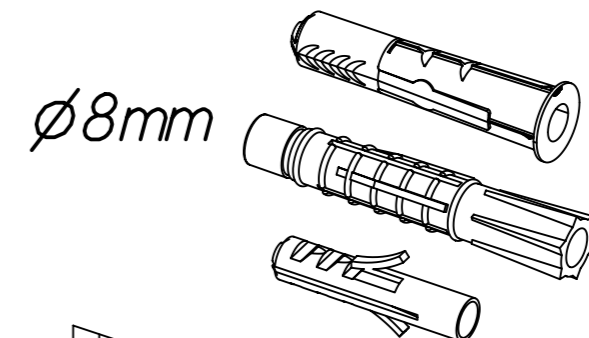
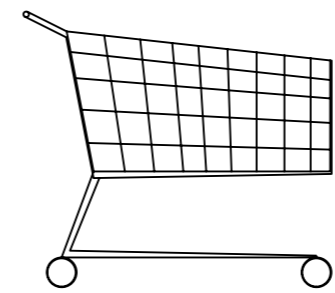
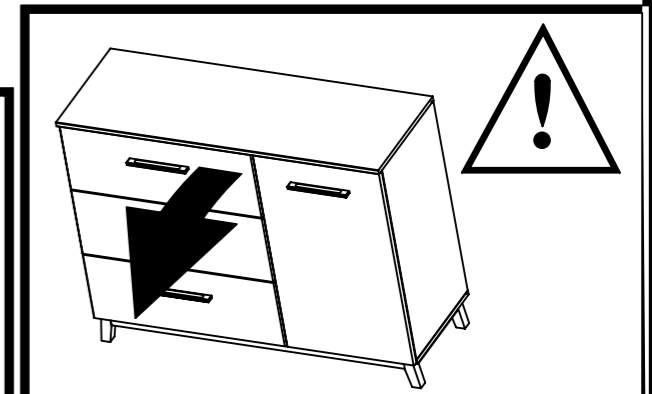
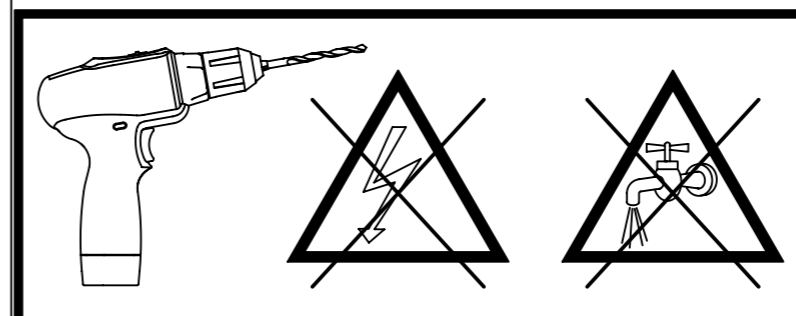
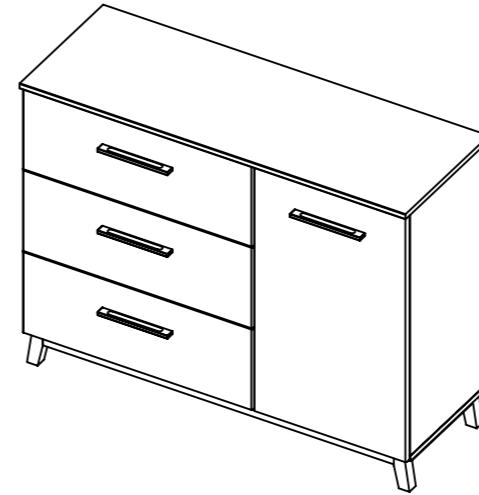
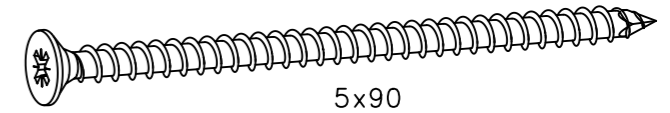
1-2h

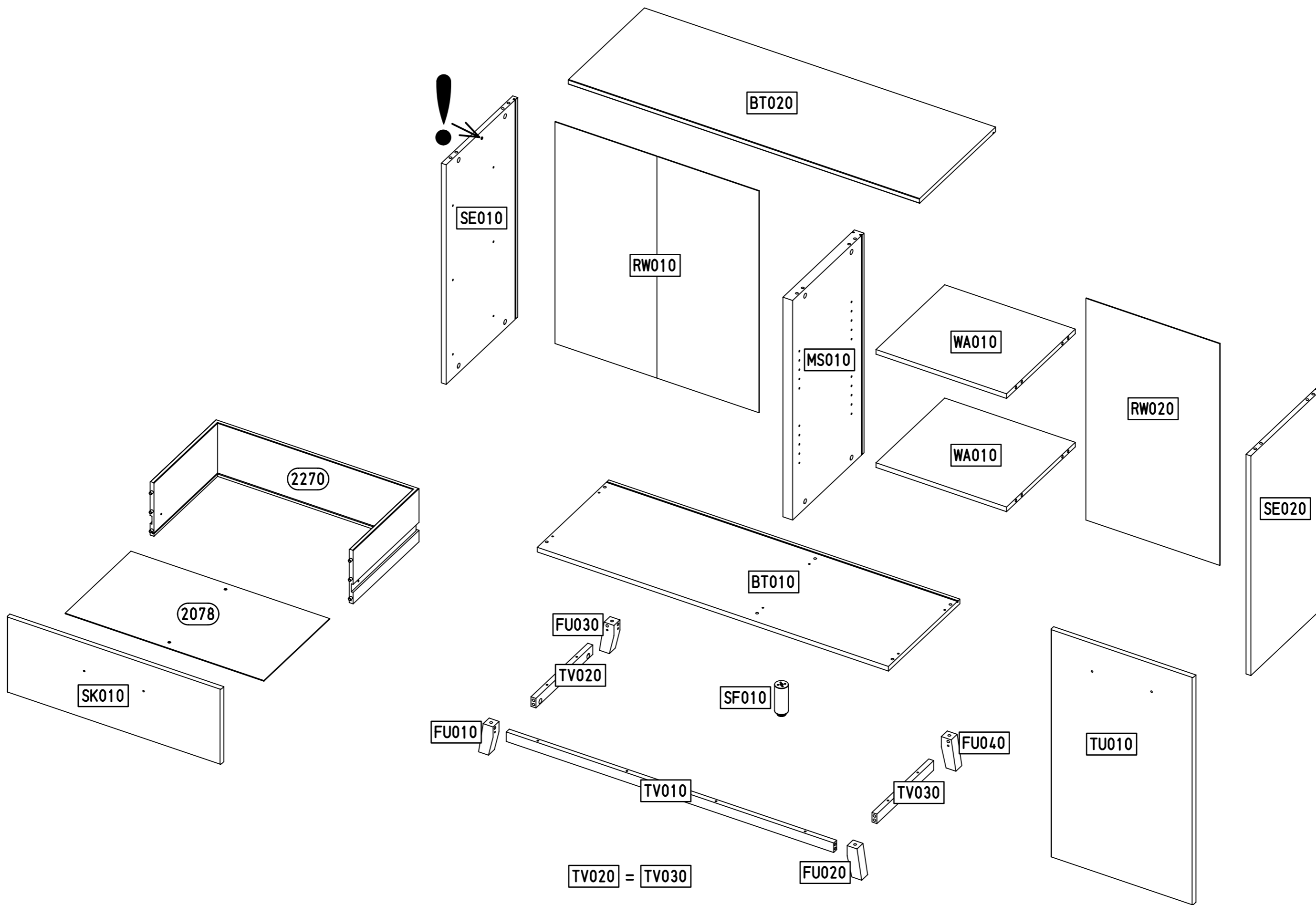
2.

2x



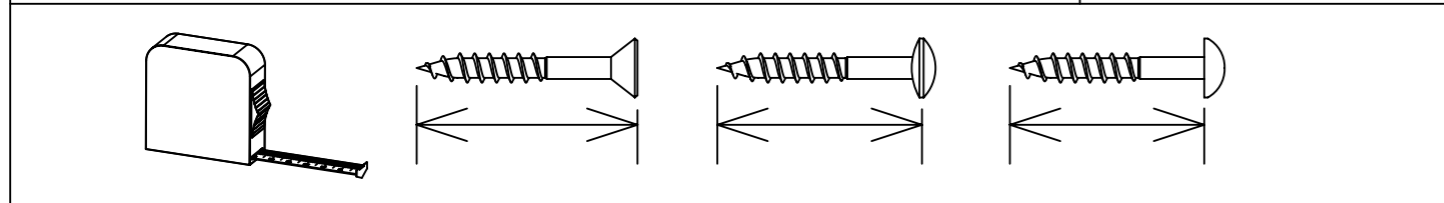
1147





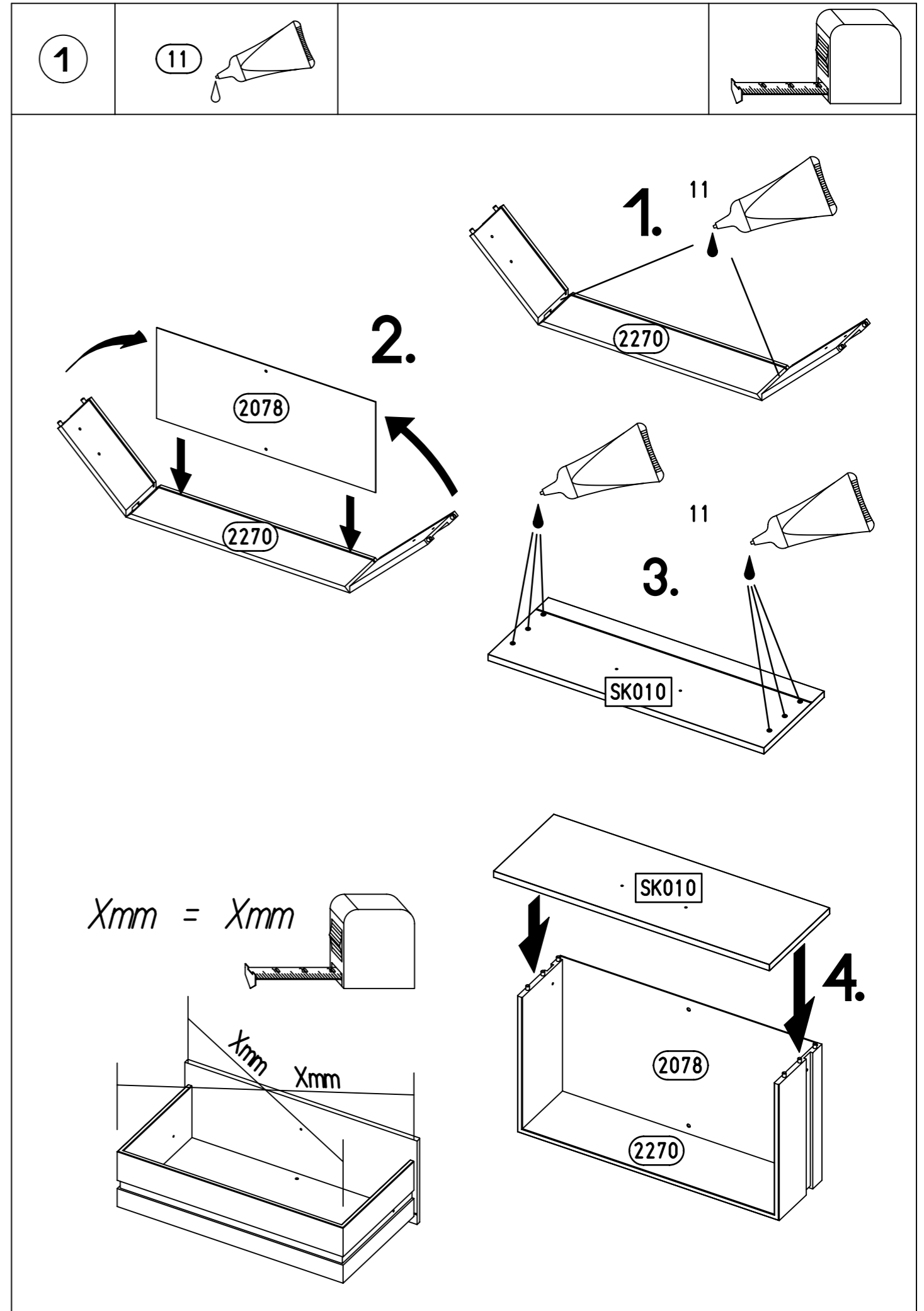
5.

<p>6x (1)</p>	<p>(11)</p>	<p>18x (18)</p> <p>8x30</p>	<p>2x (130)</p>
<p>18x (183)</p> <p>23/10x7,5/6,5</p>	<p>6x (201)</p> <p>4x15</p>	<p>8x (214)</p> <p>4,5x35</p>	<p>12x (227)</p> <p>6x10,5</p>
<p>4x (245)</p> <p>M6x40</p>	<p>6x (259)</p> <p>342x27x9,5</p>		<p>18x (349)</p>
<p>6x (568)</p> <p>M4x9</p>	<p>8x (1090)</p>	<p>8x (1105)</p>	<p>4x (318)</p> <p>3,5x30</p>
<p>SF010</p>			<p>SK010</p>



M2430

6.

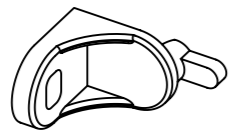


M2430

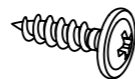
7.

2

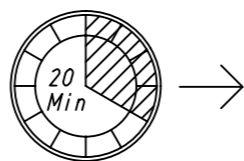
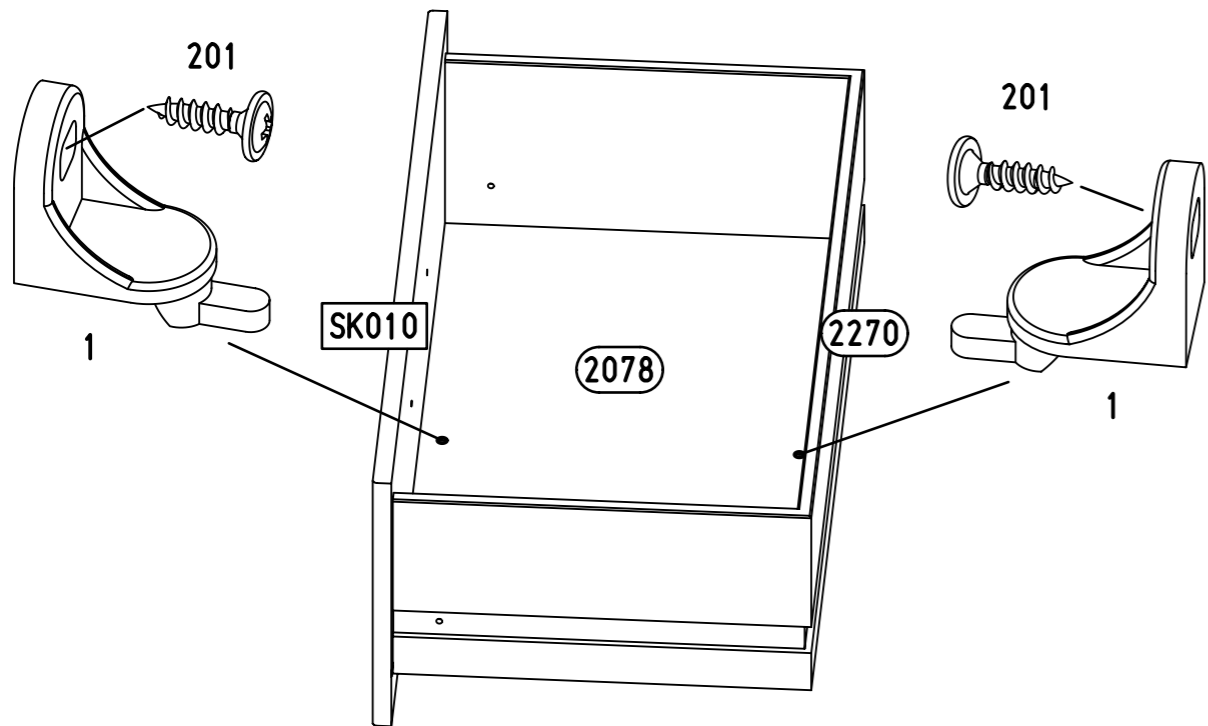
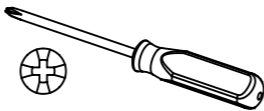
6x 1



6x 201



4x15



M2430

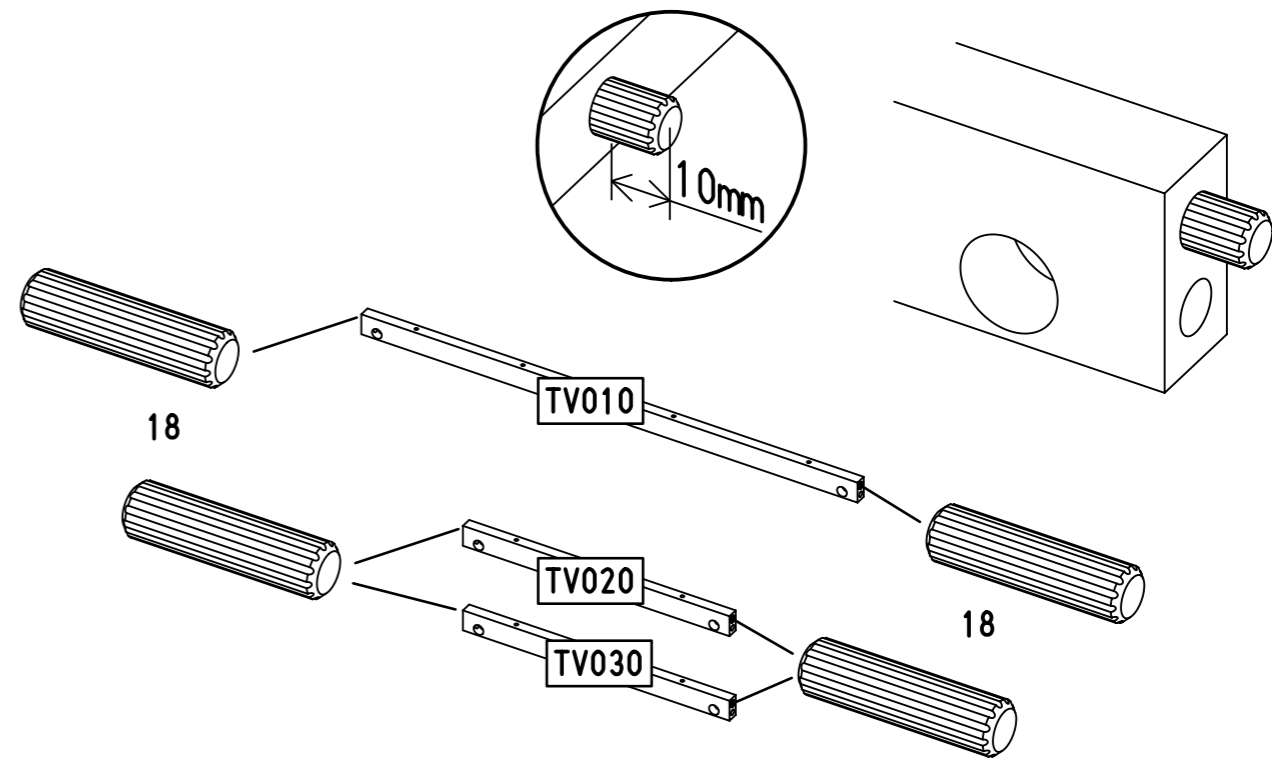
8.

3

6x 18

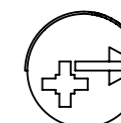
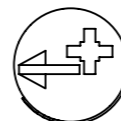
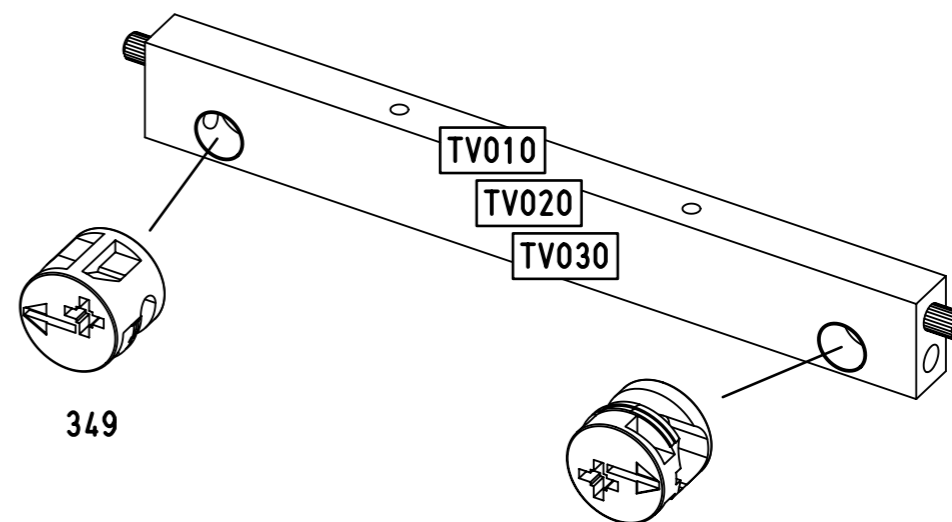
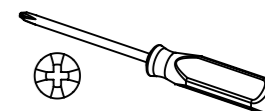
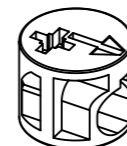


8x30



4

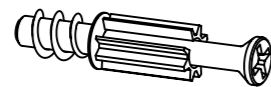
6x 349



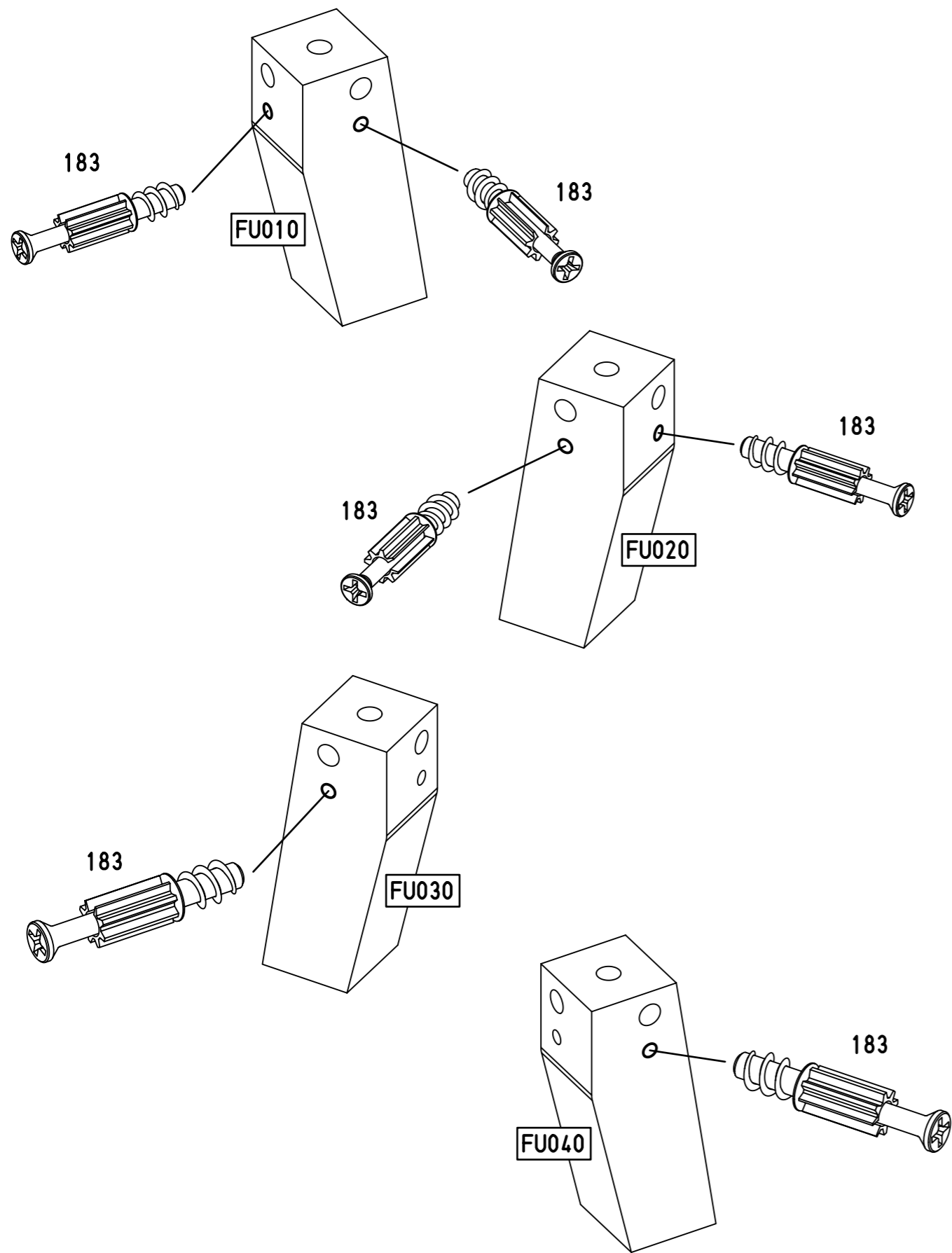
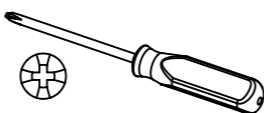
M2430

5

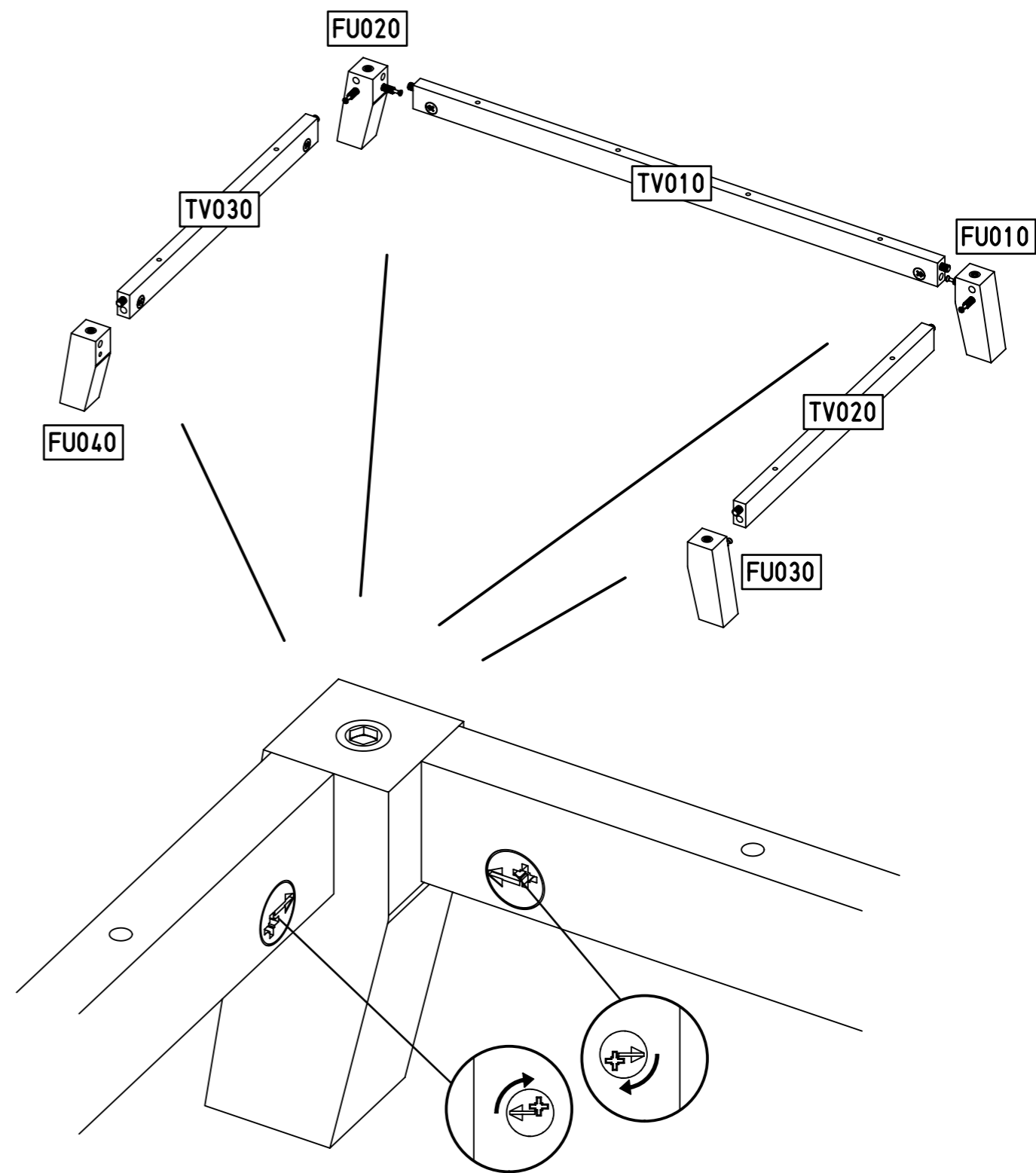
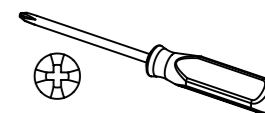
6x 183



23/10x7,5/6,5

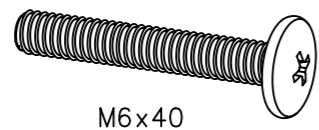


6

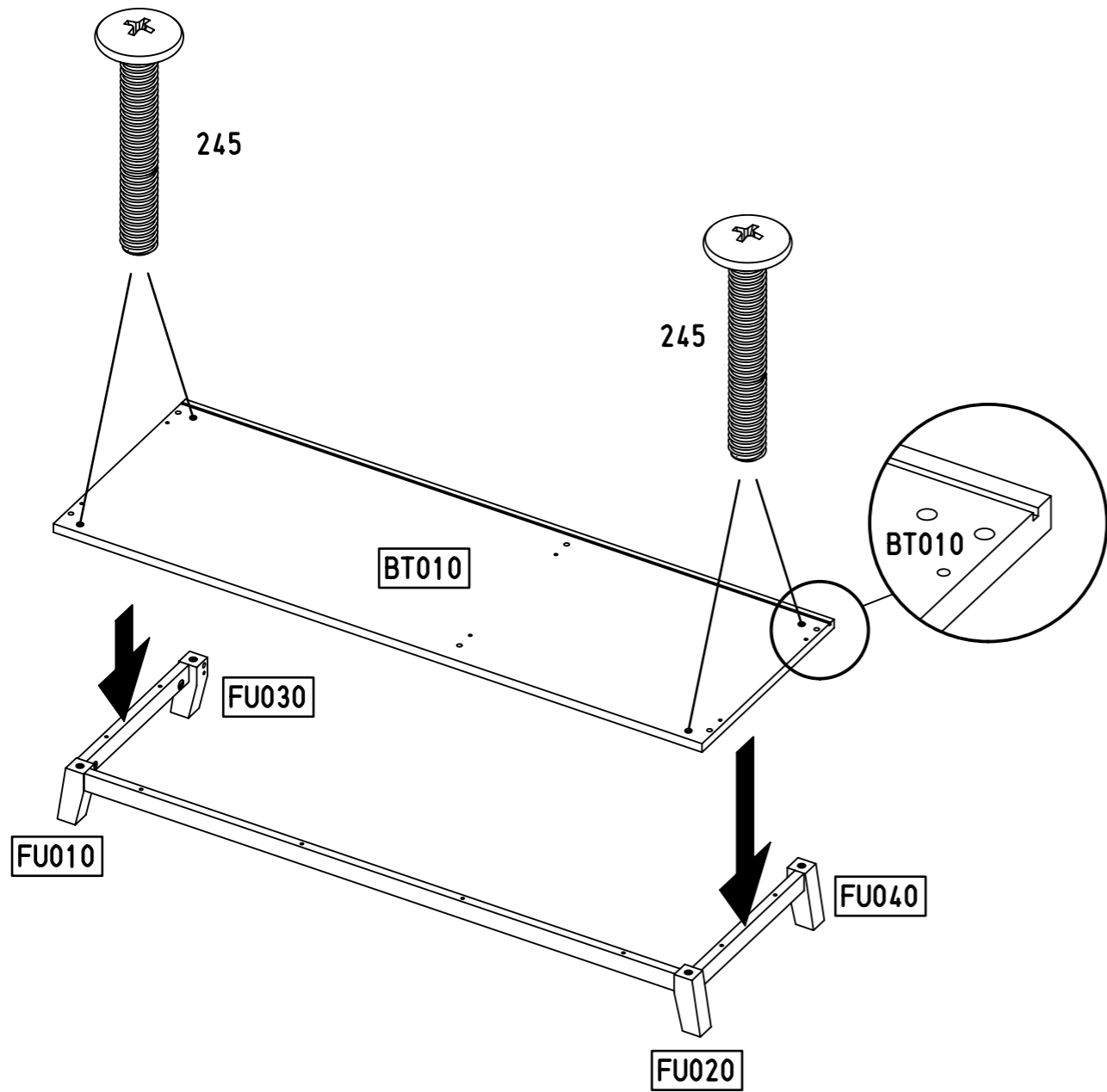
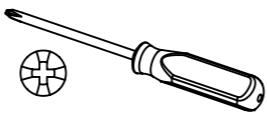


7

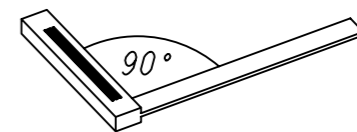
4x 245



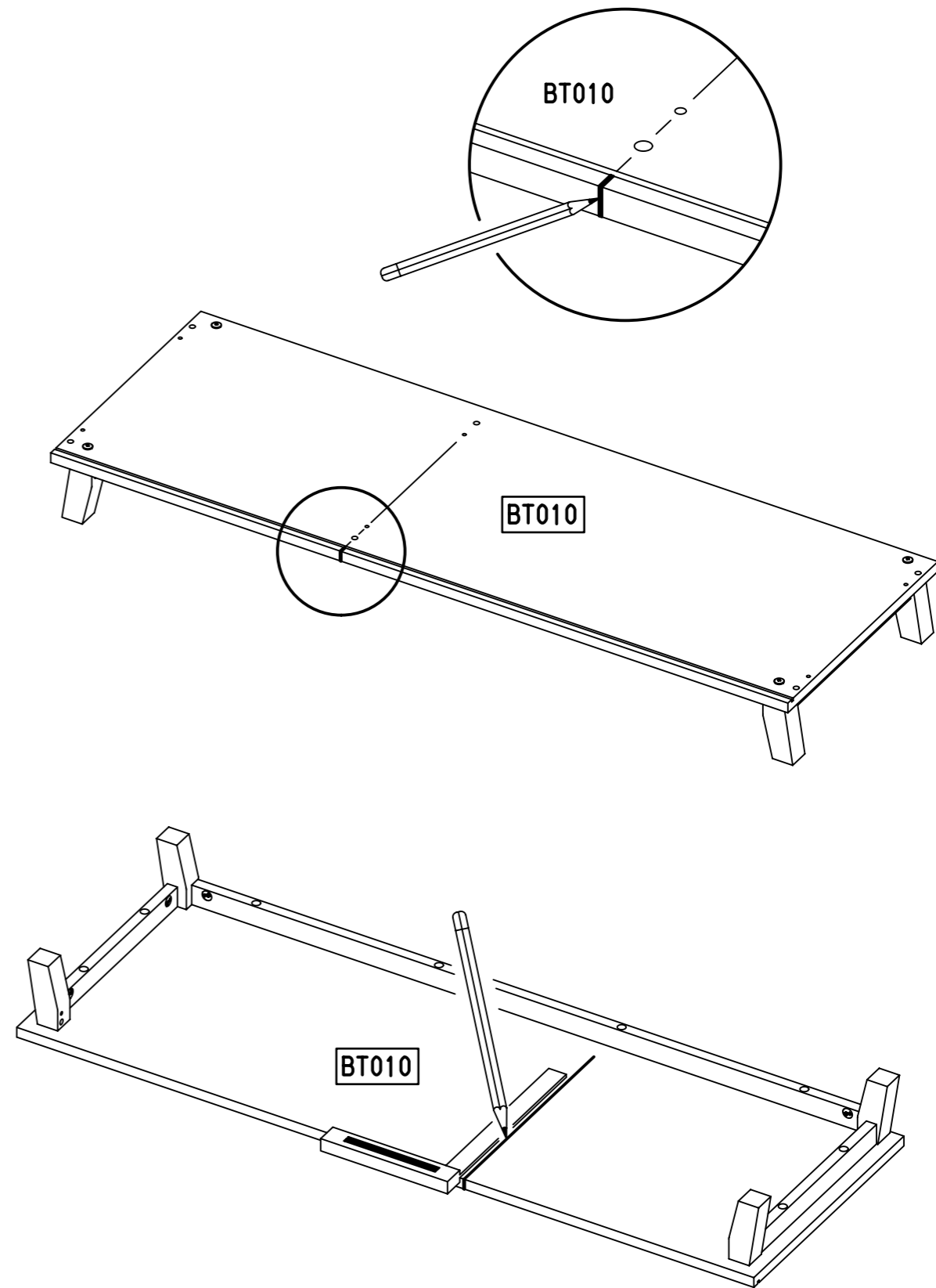
M6x40



8

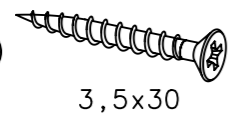


90°

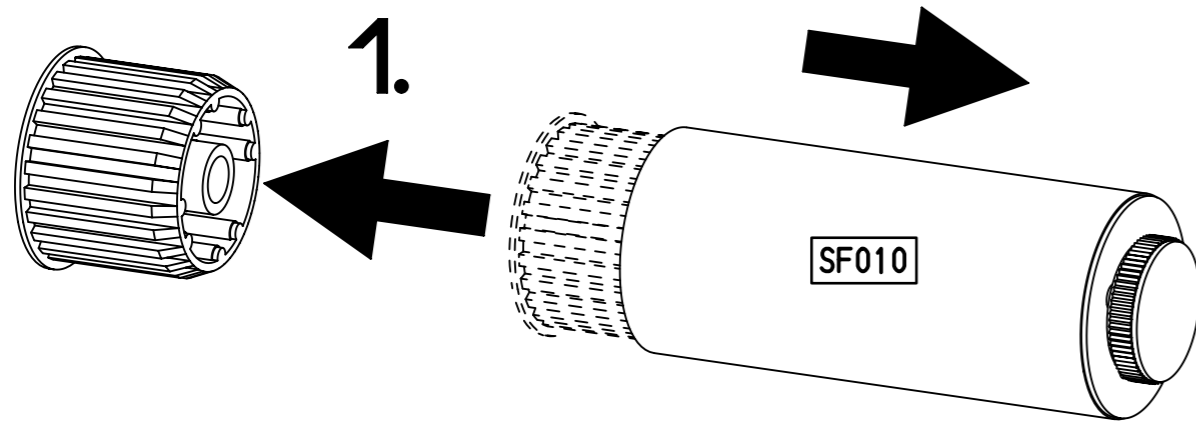
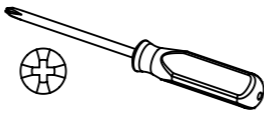


9

4x 318



3,5x30

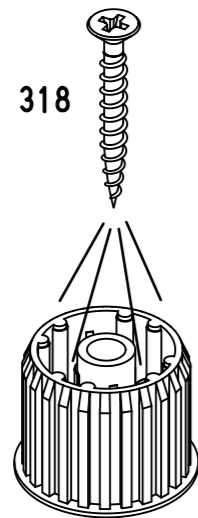


1.

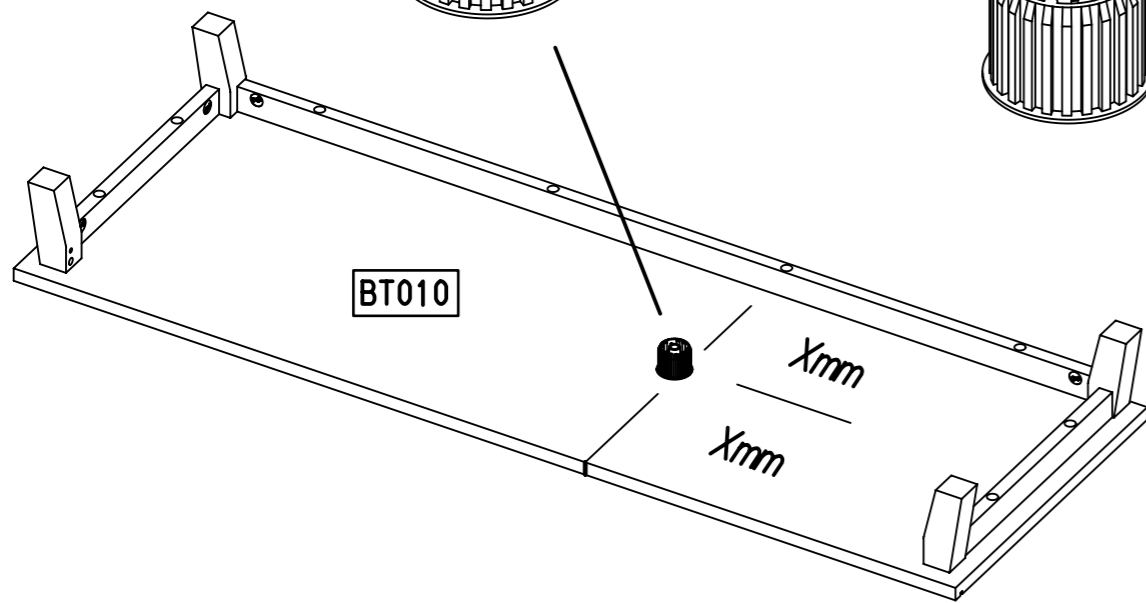
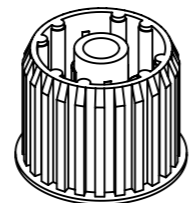
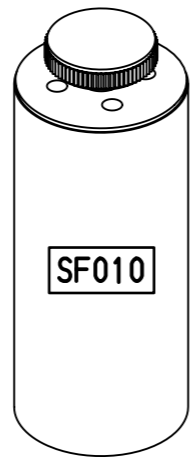
SF010

318

2.



3.



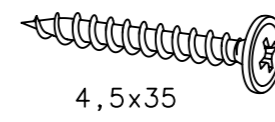
BT010

Xmm

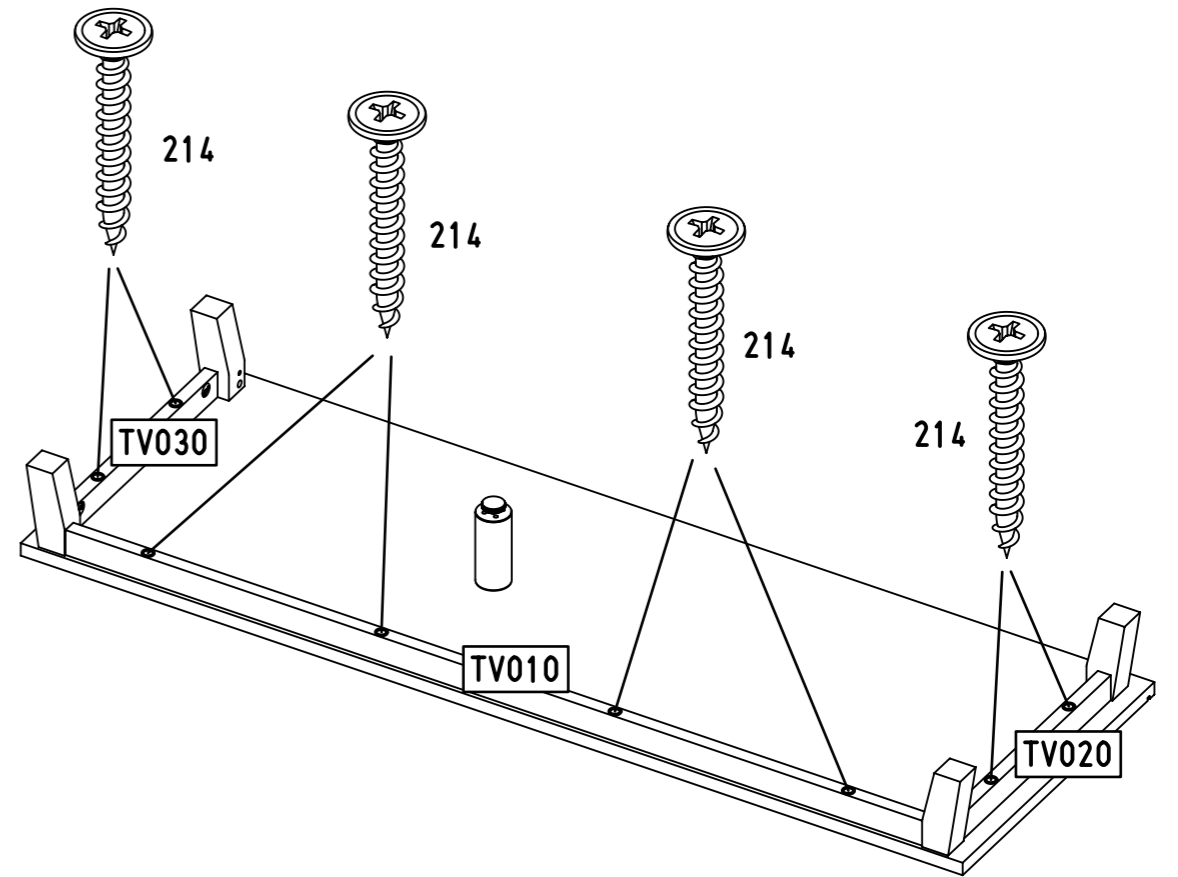
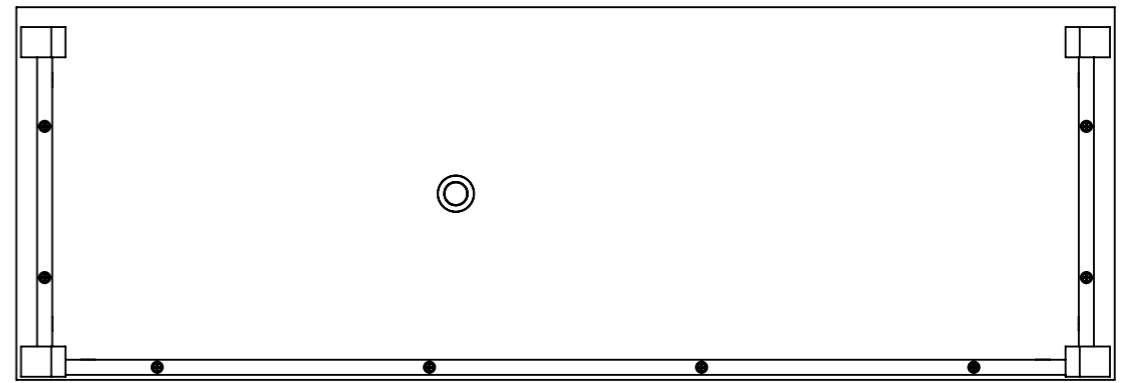
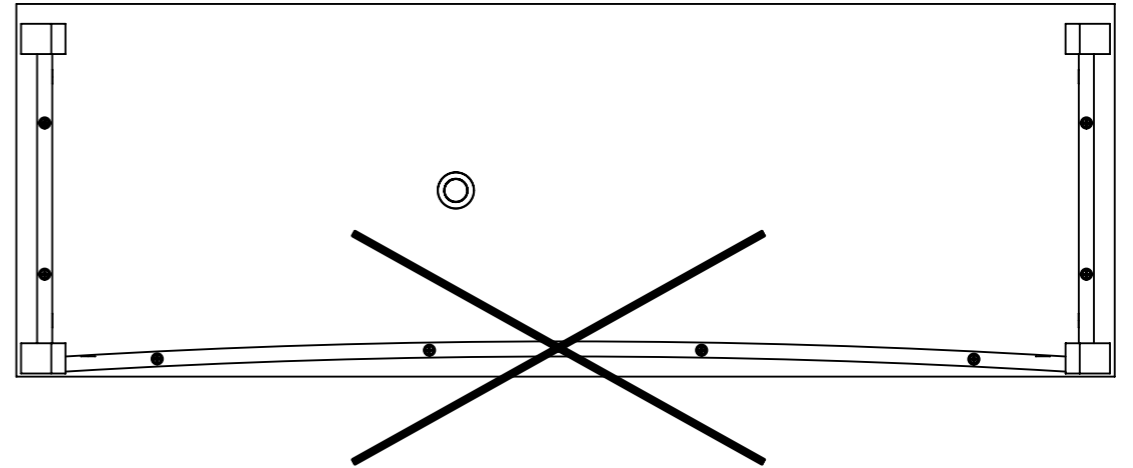
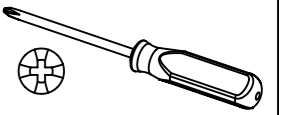
Xmm

10

8x 214



4,5x35



214

214

214

214

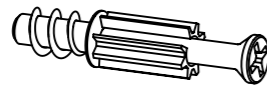
TV030

TV010

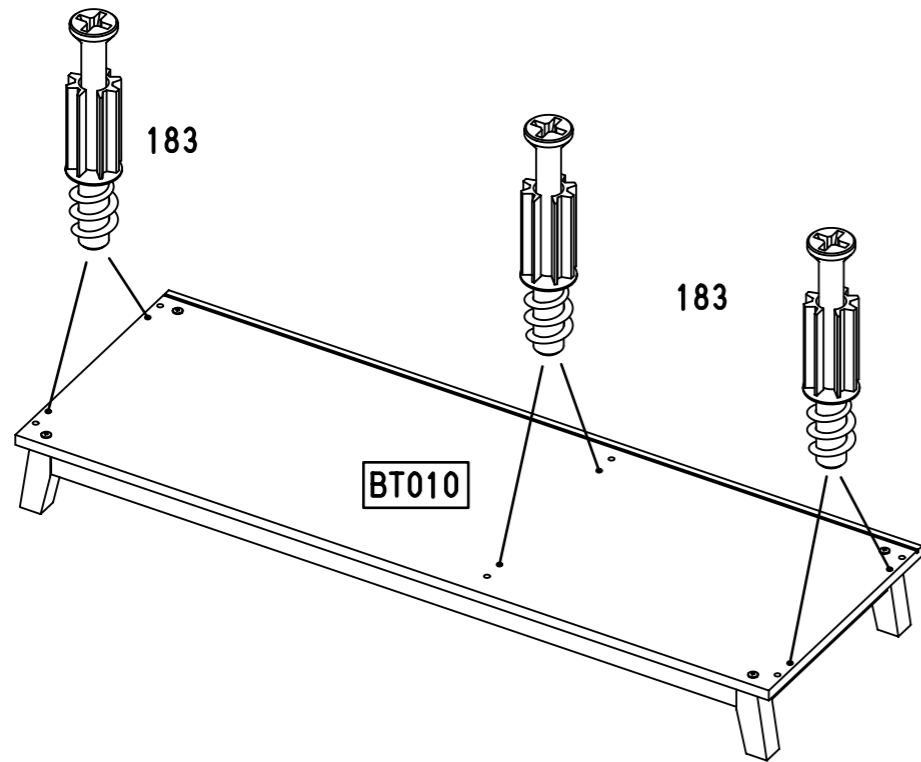
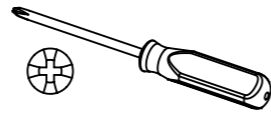
TV020

11

6x 183

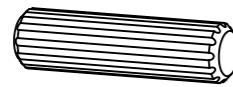


23/10x7,5/6,5

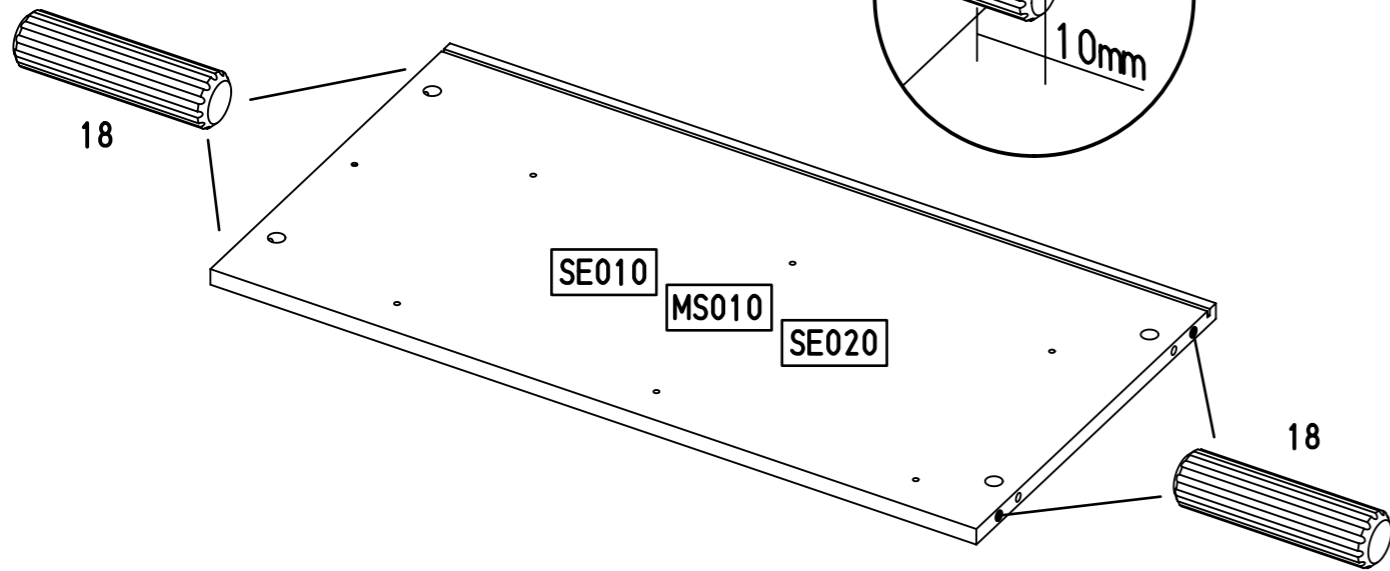
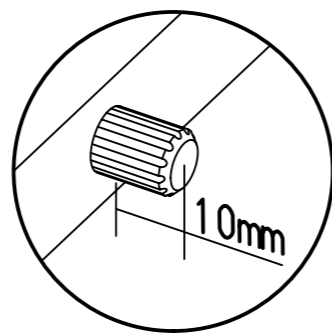


12

12x 18

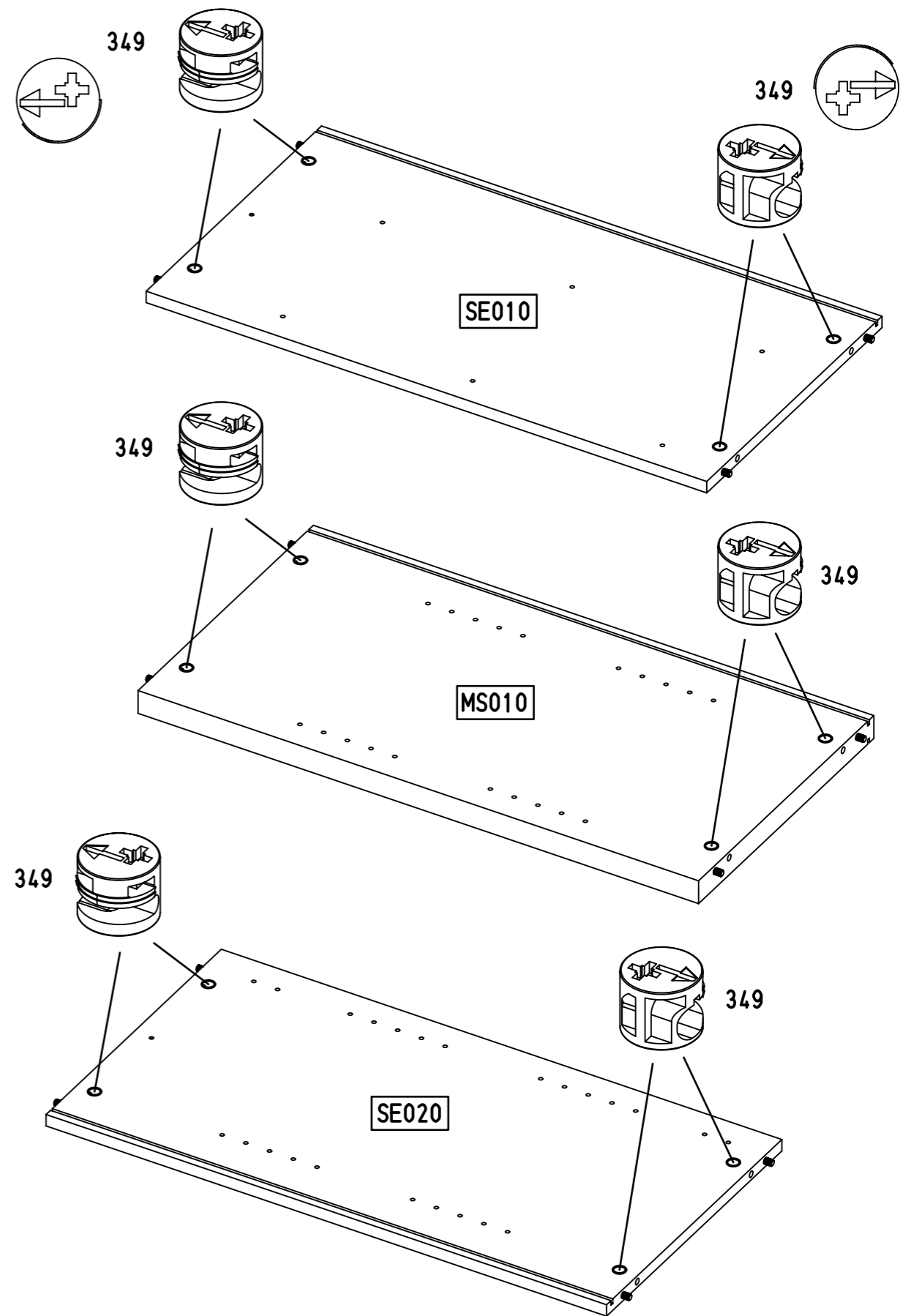
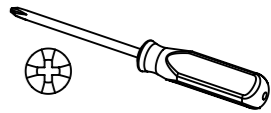


8x30



13

12x 349



17.

14

3x 259

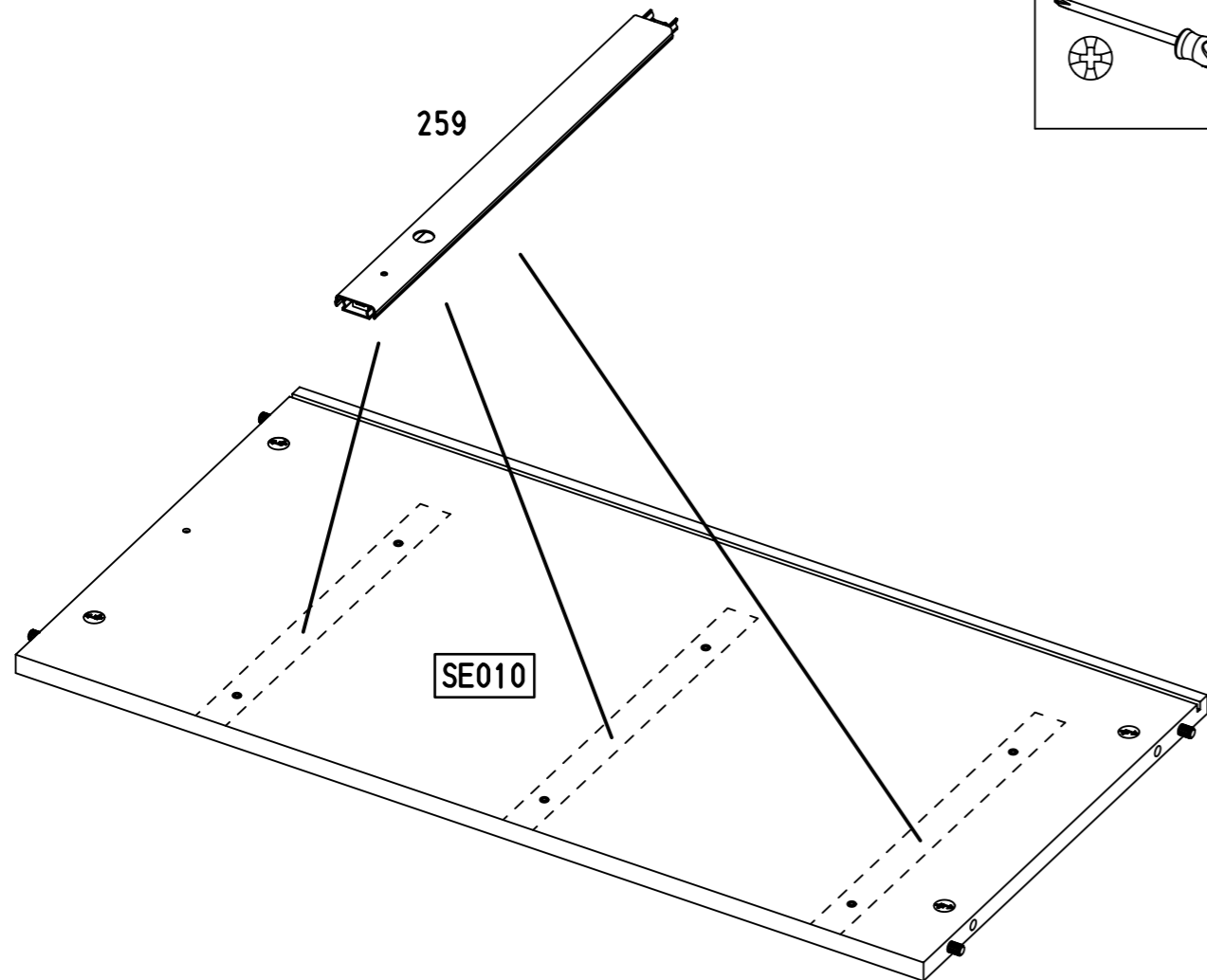
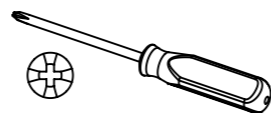


342x27x9,5

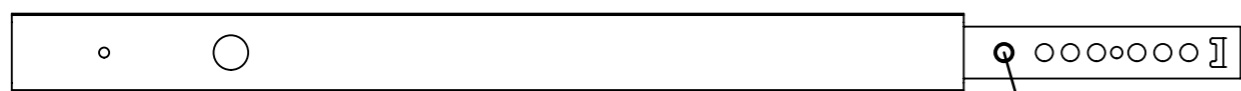
6x 227



6x10,5



1. 227



2. 227

18.

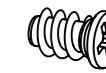
15

3x 259

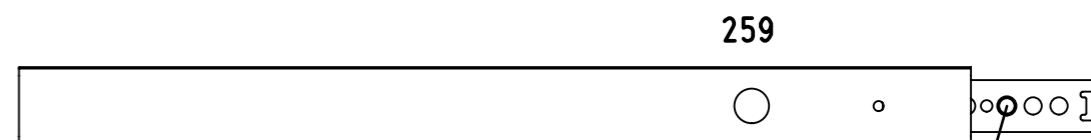
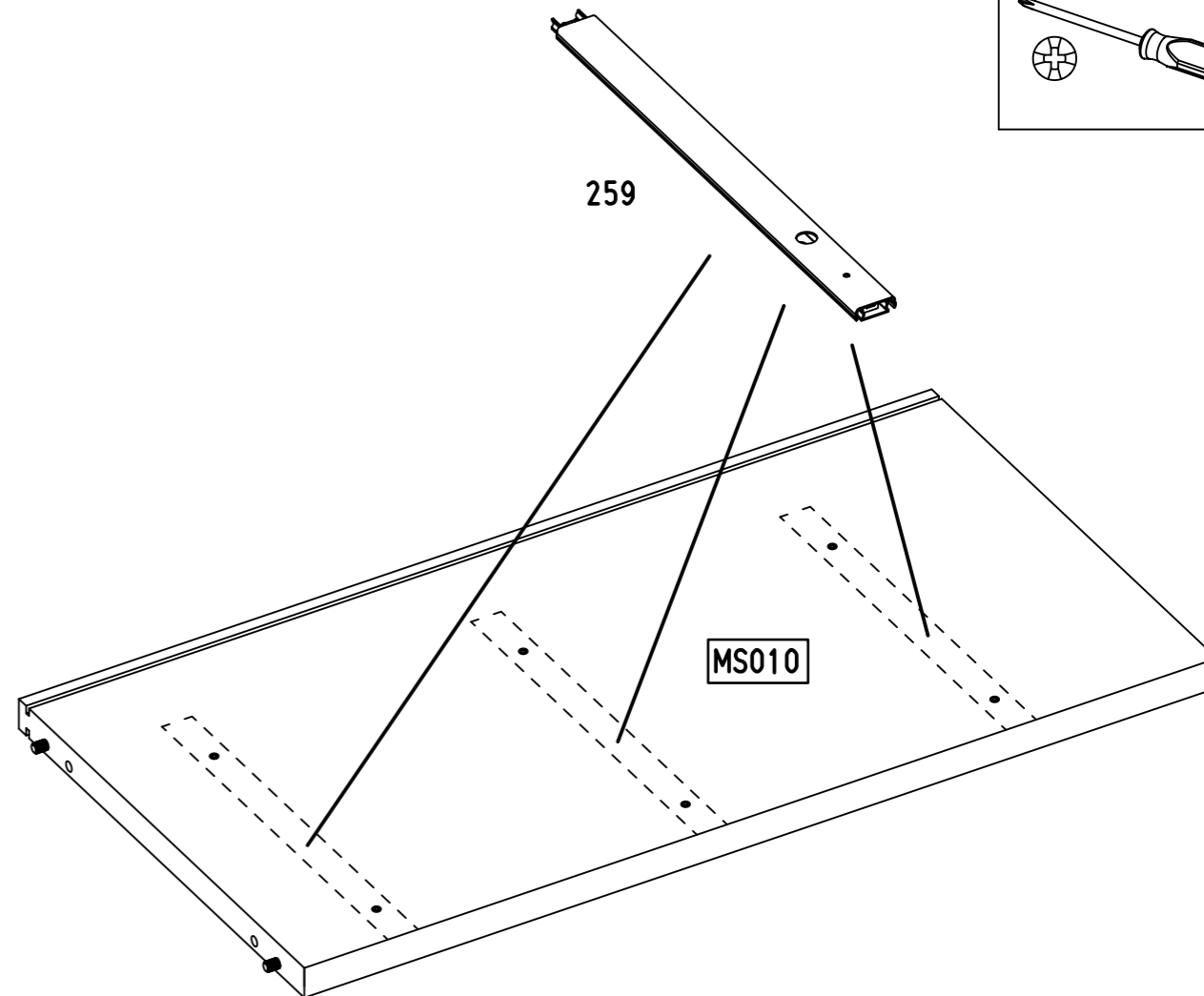
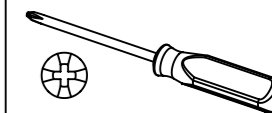


342x27x9,5

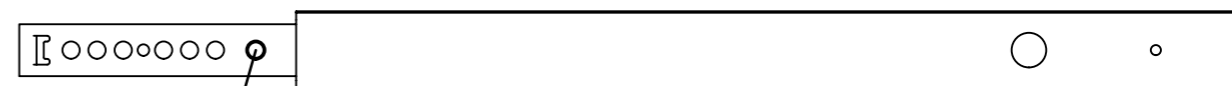
6x 227



6x10,5

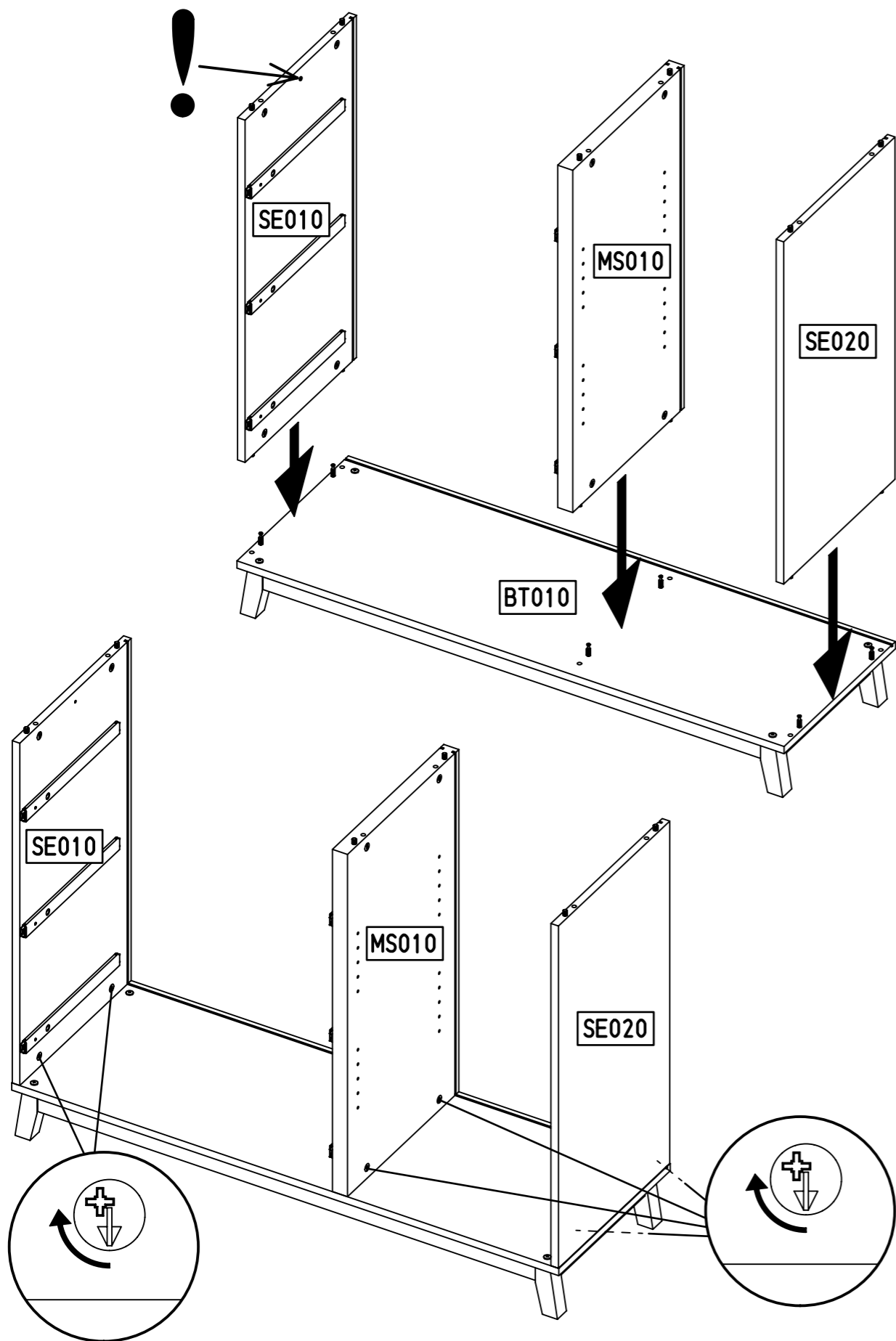
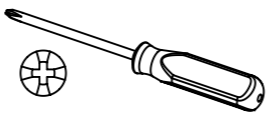


1. 227

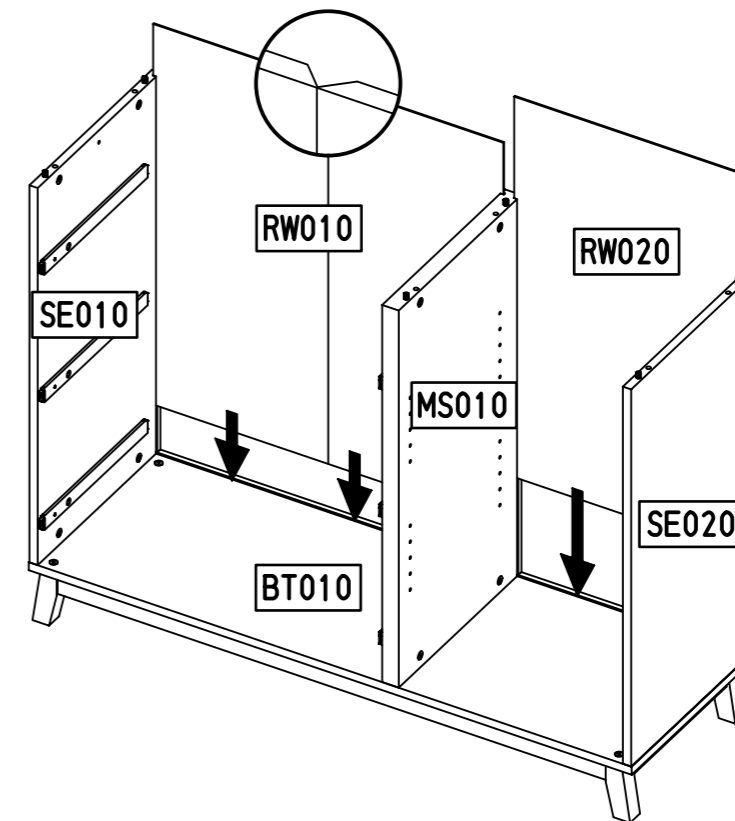


2. 227

16

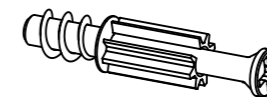


17

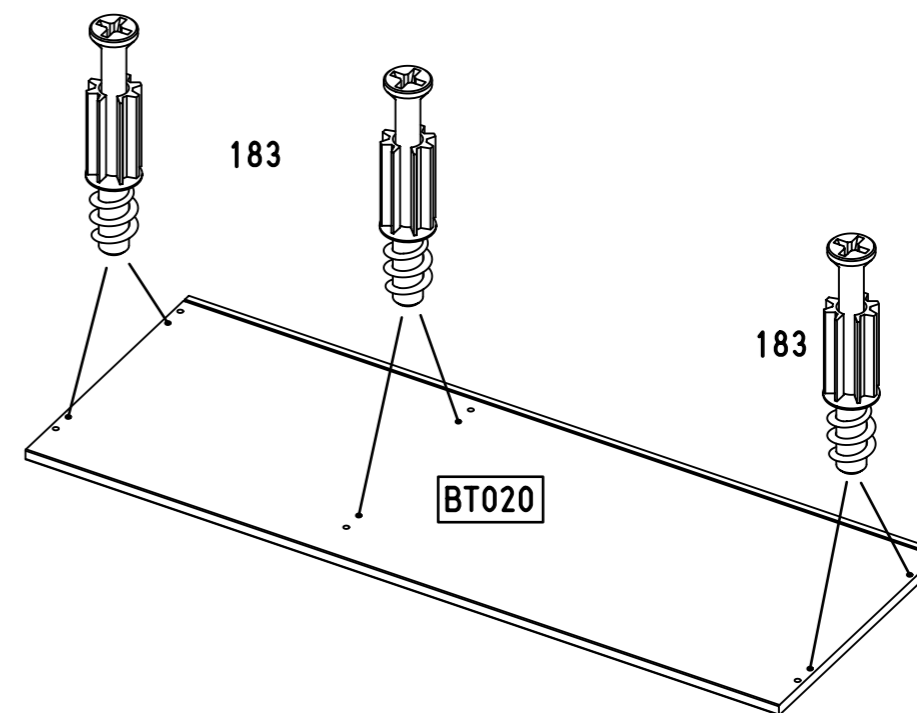
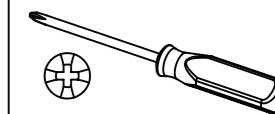


18

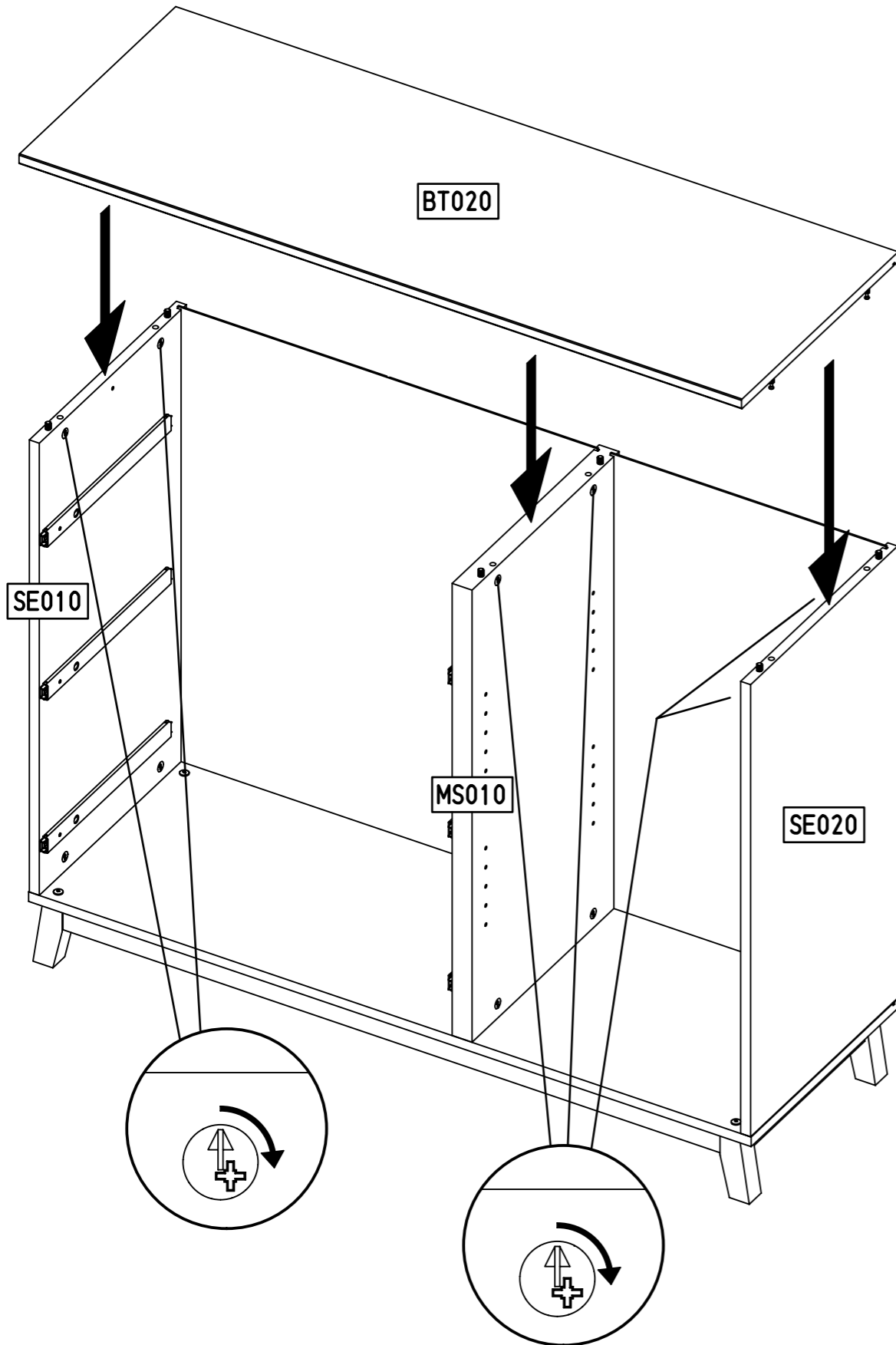
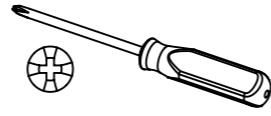
6x 183



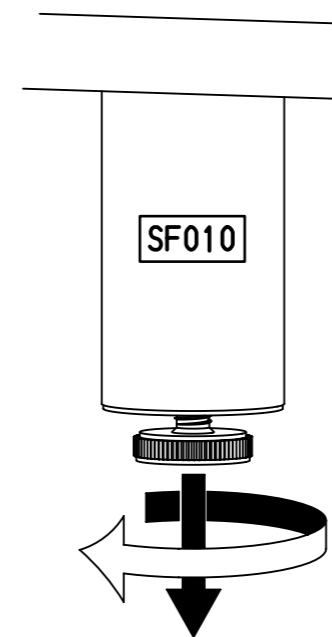
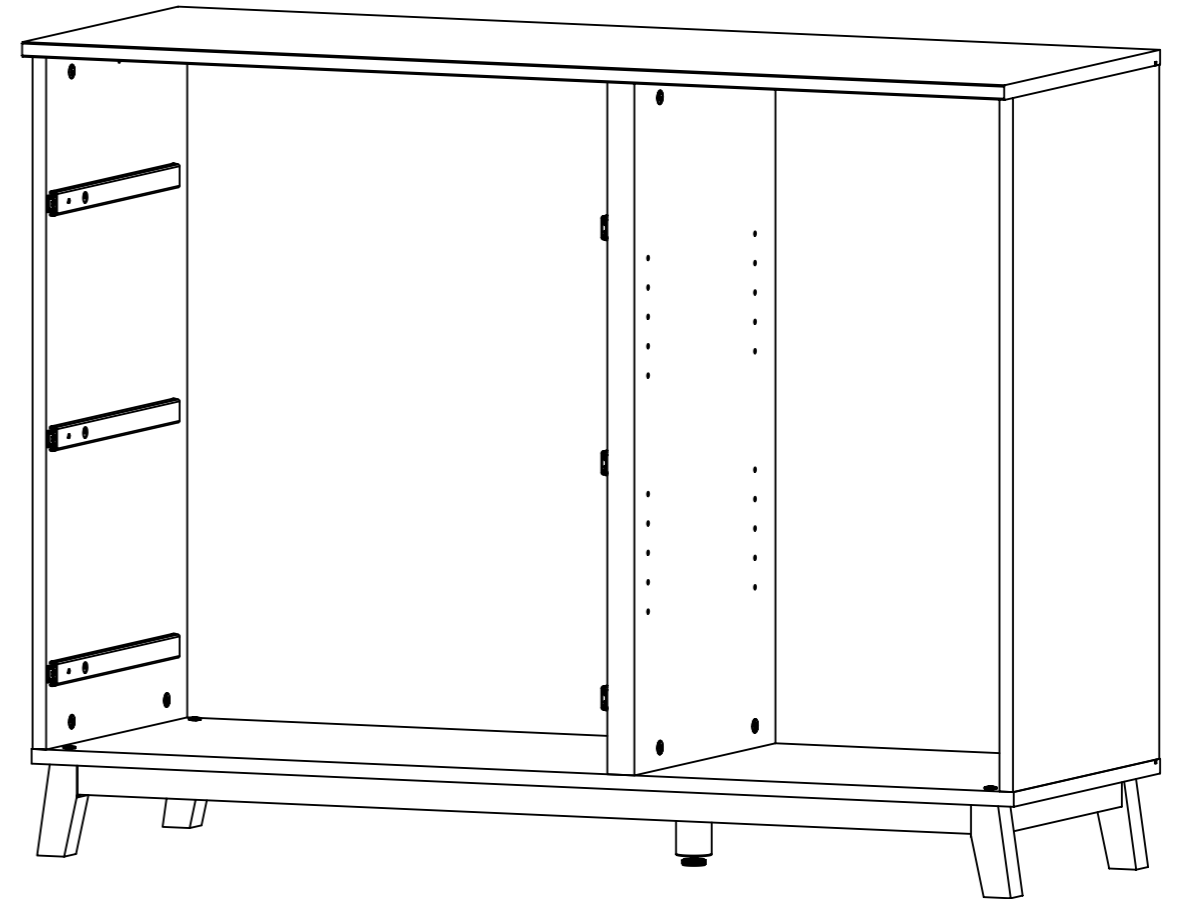
23/10x7,5



19

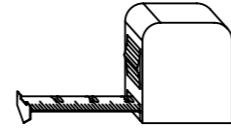
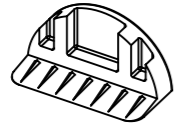


20

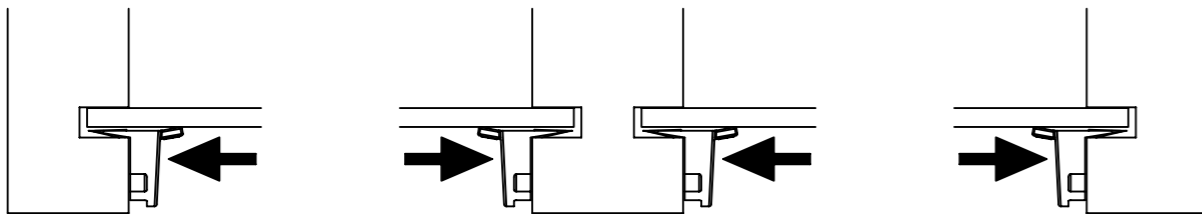
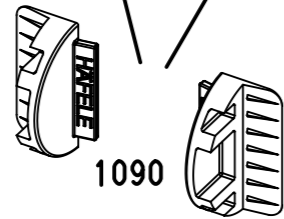
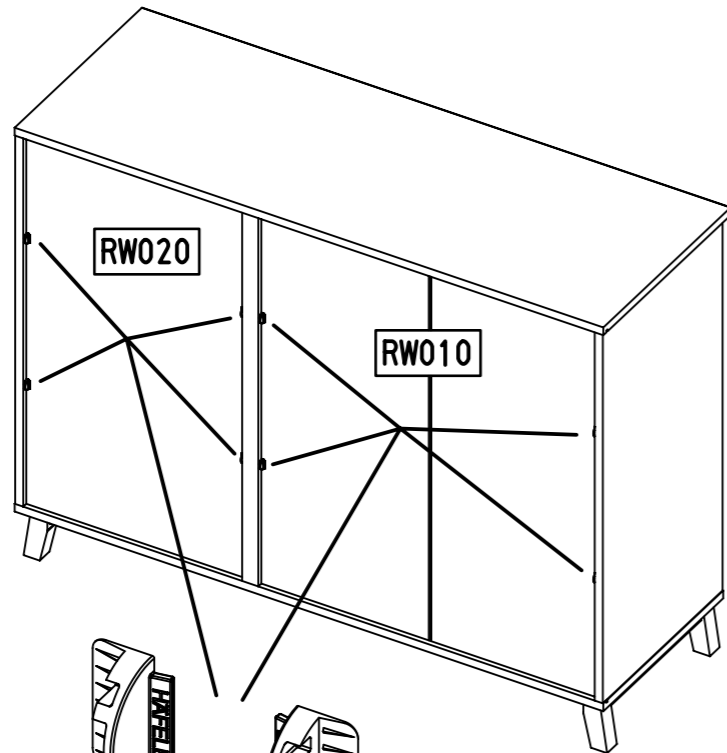
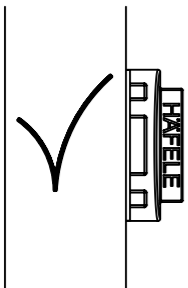
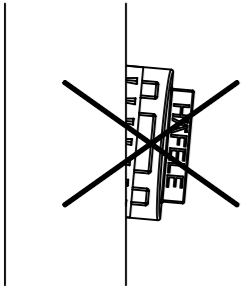
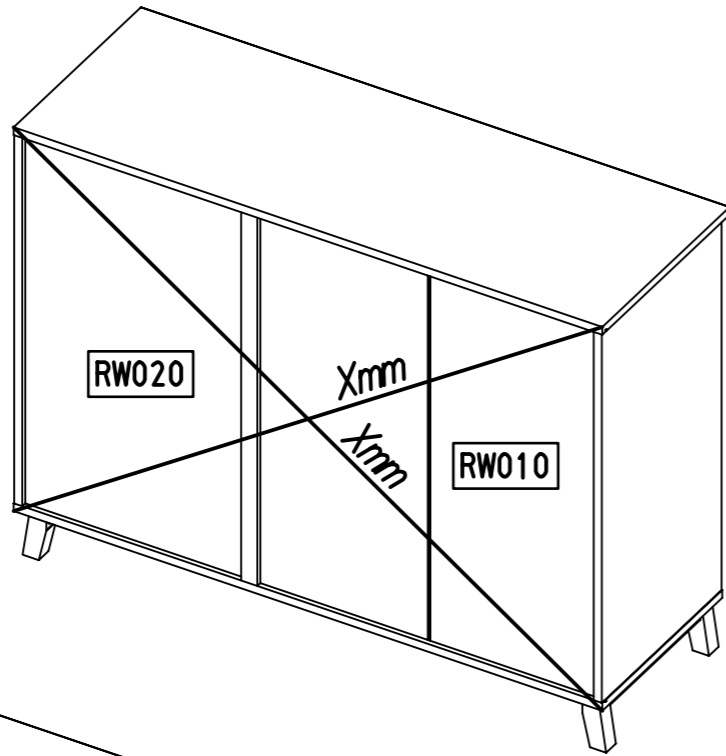
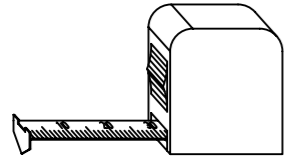


21

8x 1090

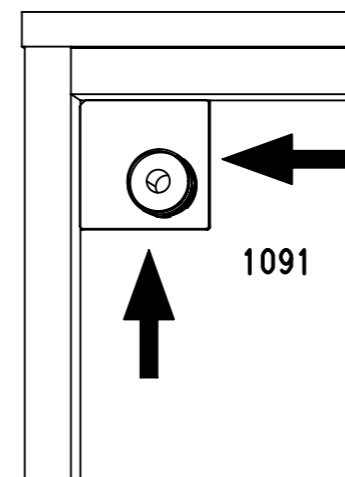
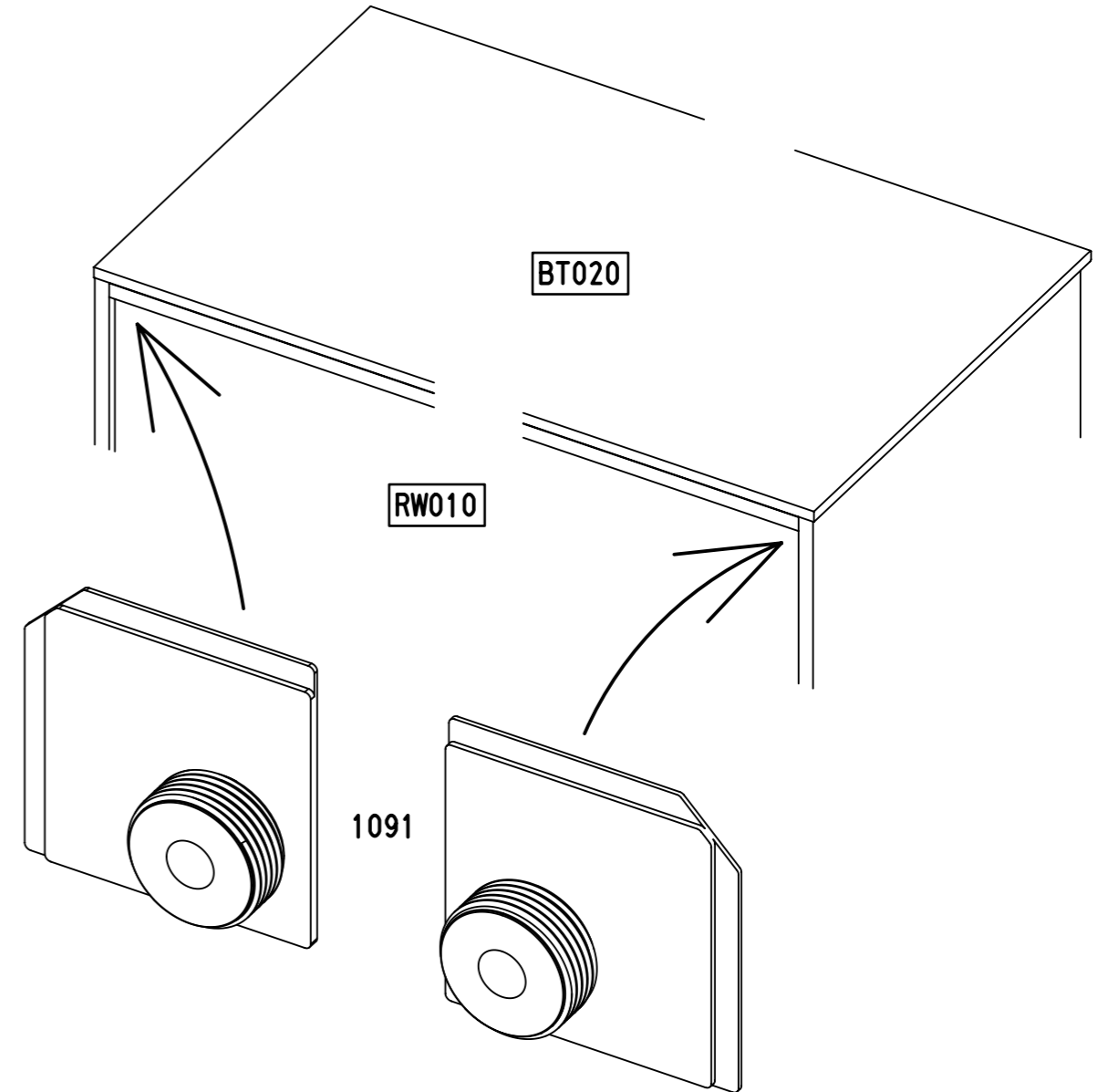
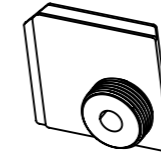


Xmm = Xmm

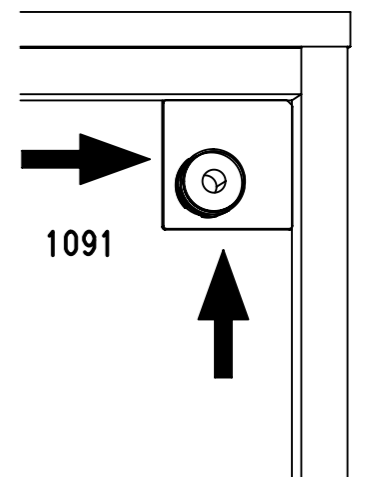


22

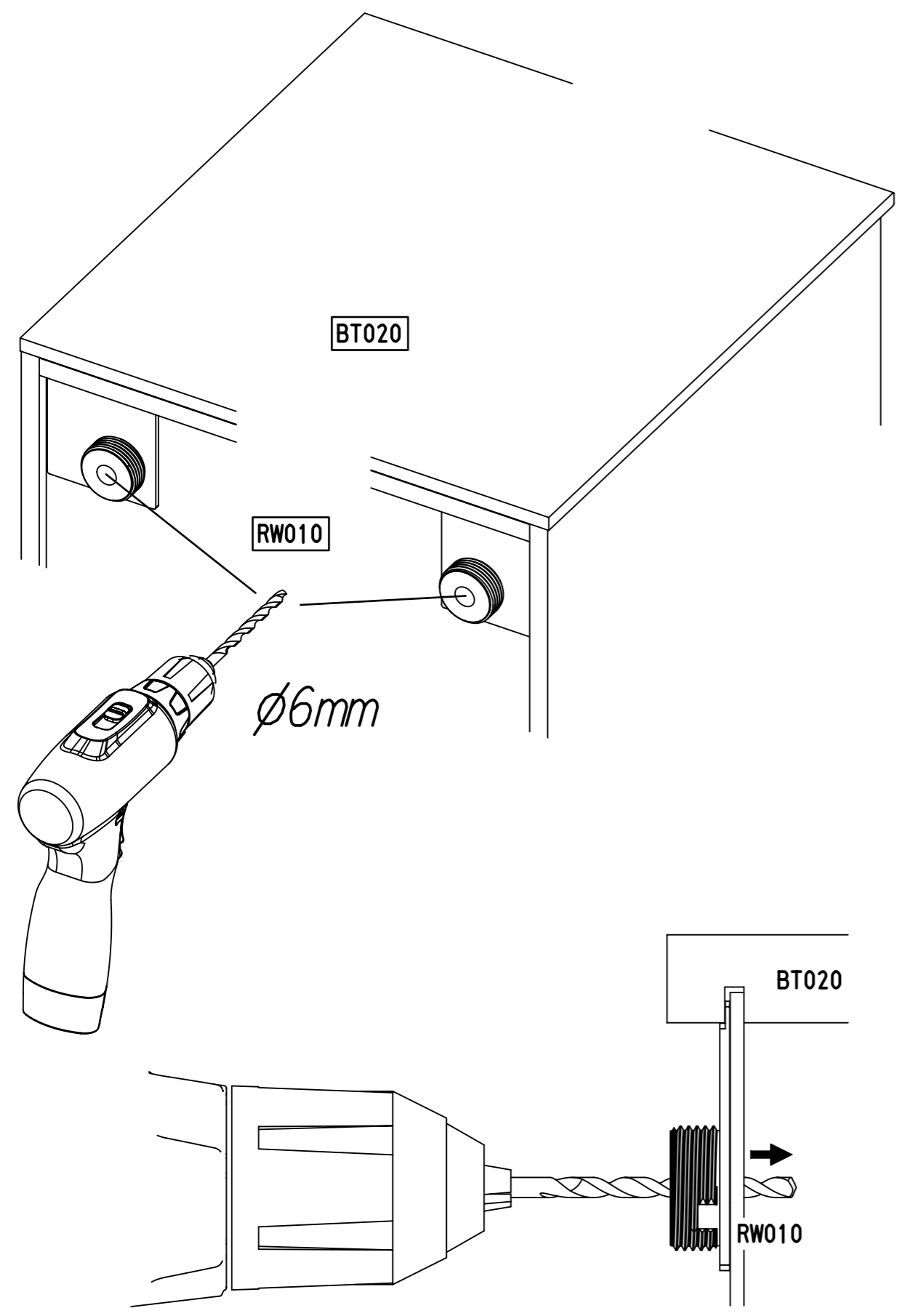
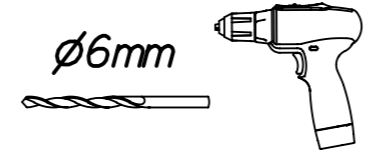
2x 1091



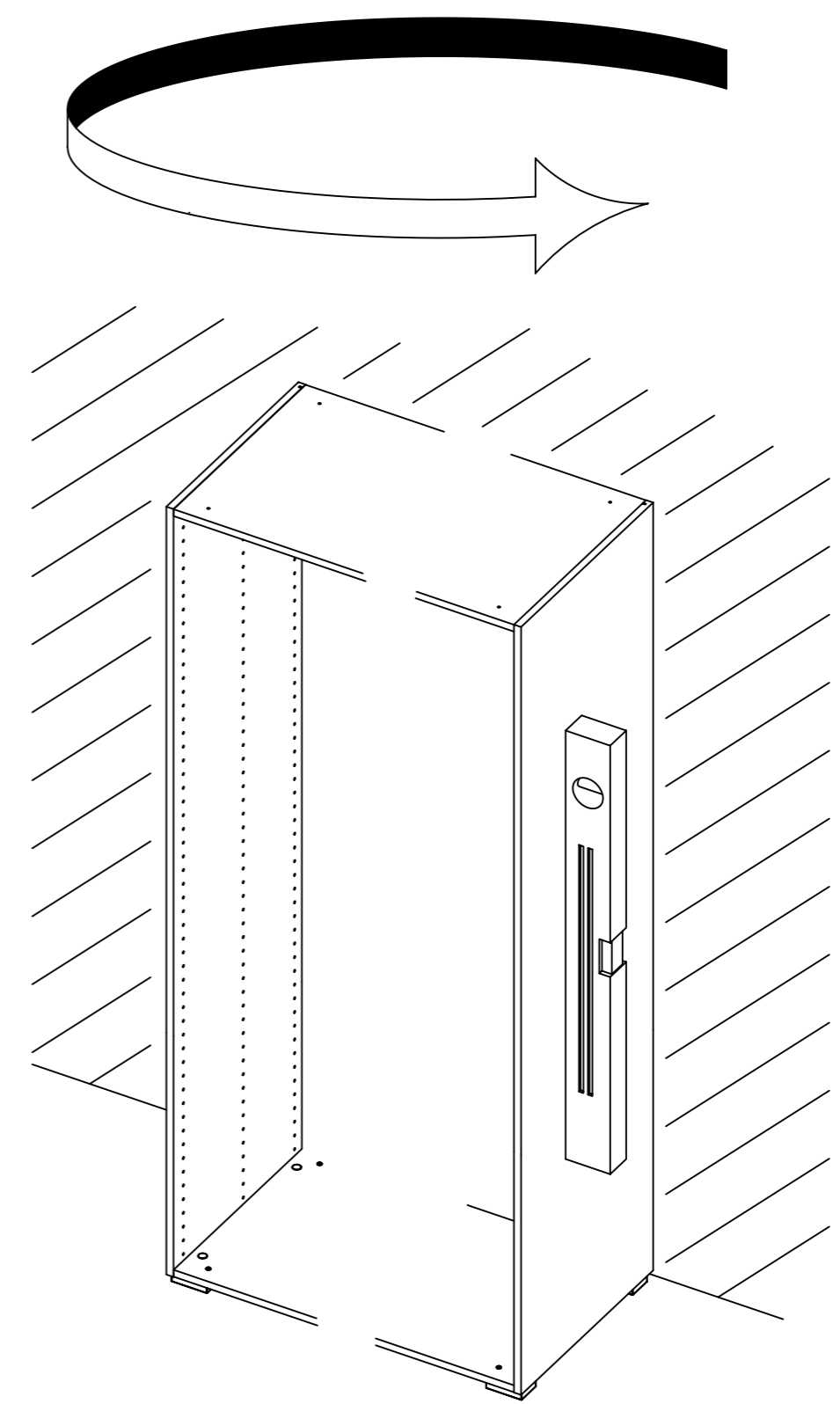
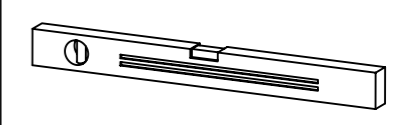
RW010



23

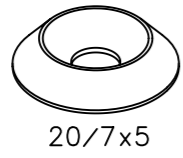


24



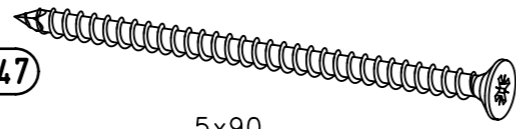
25

2x 1093

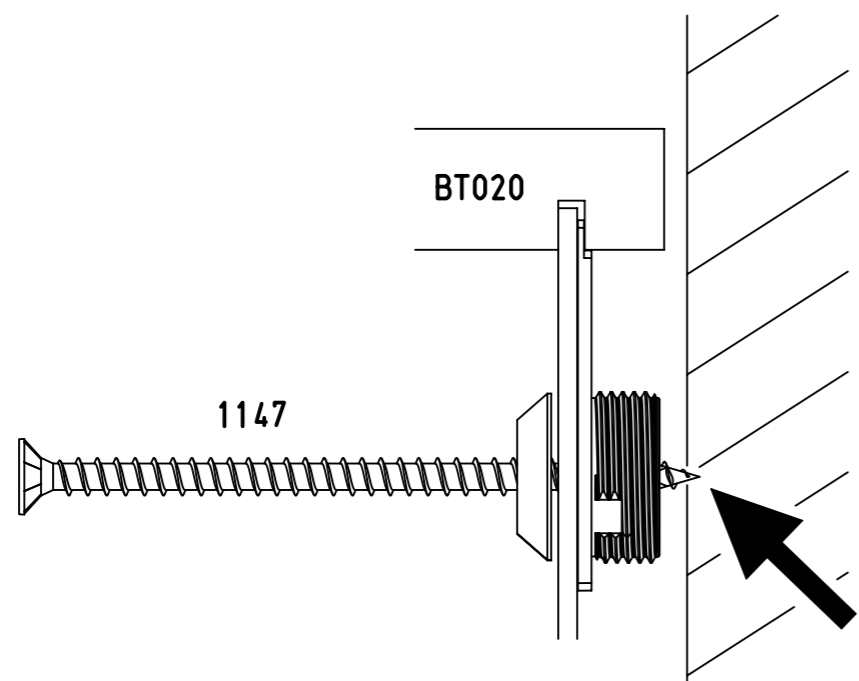
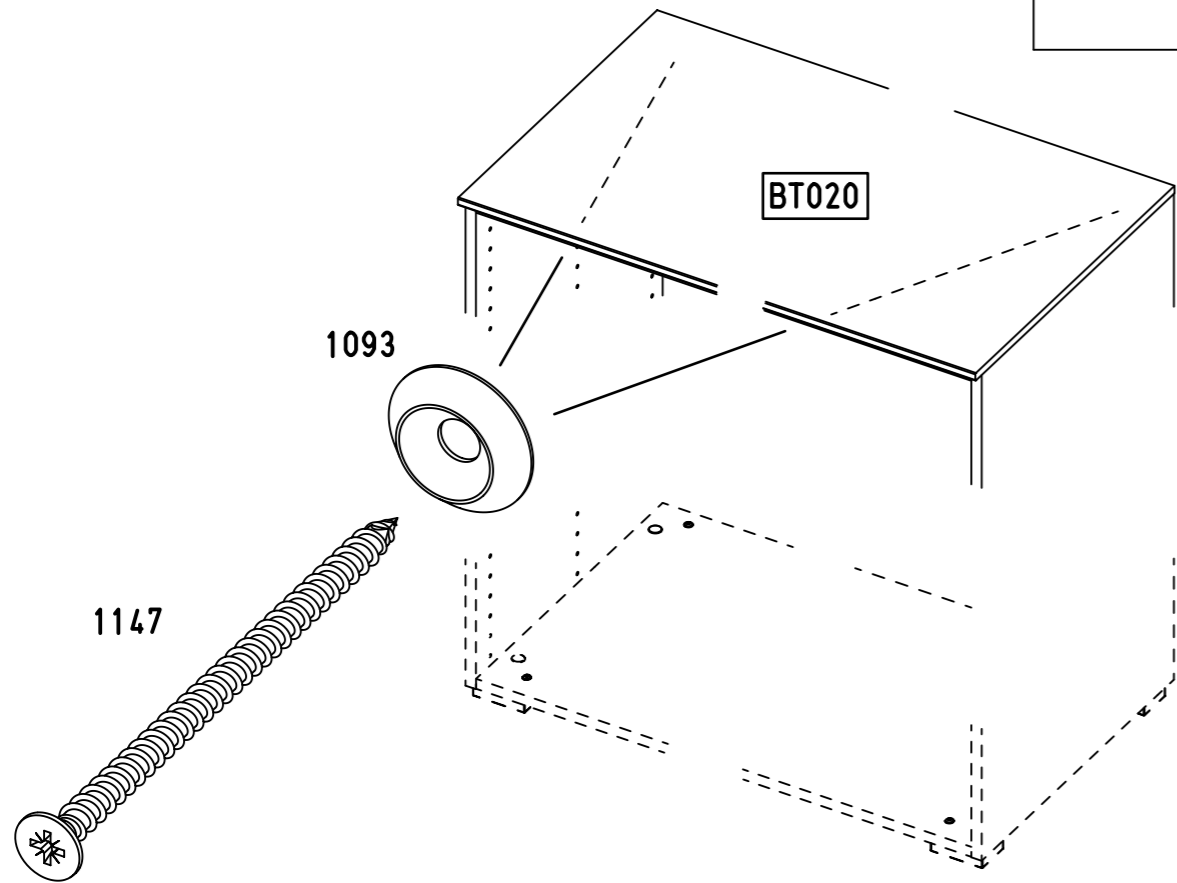
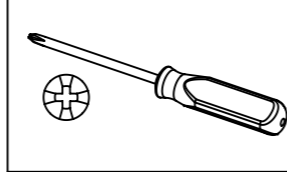


20/7x5

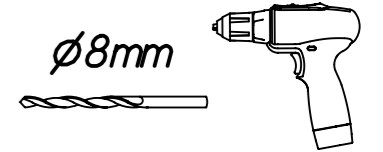
2x 1147



5x90

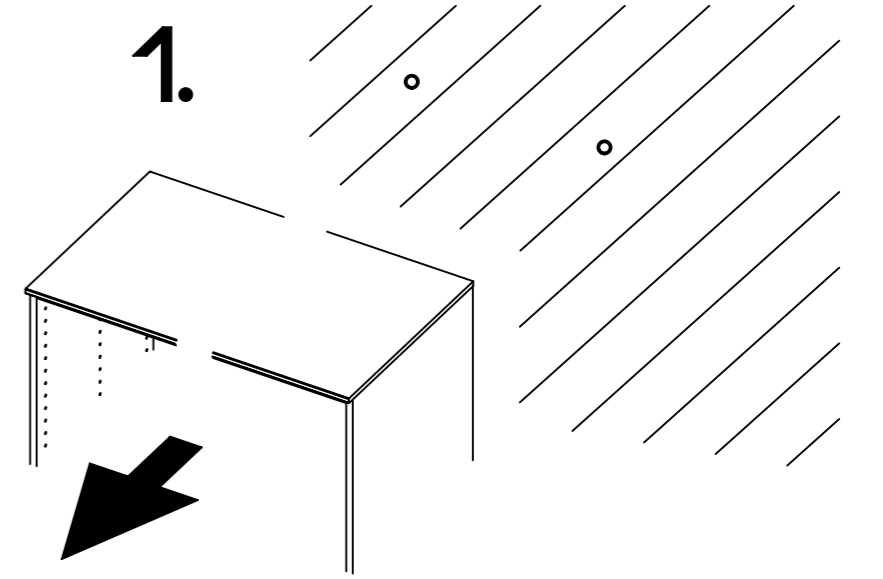


26

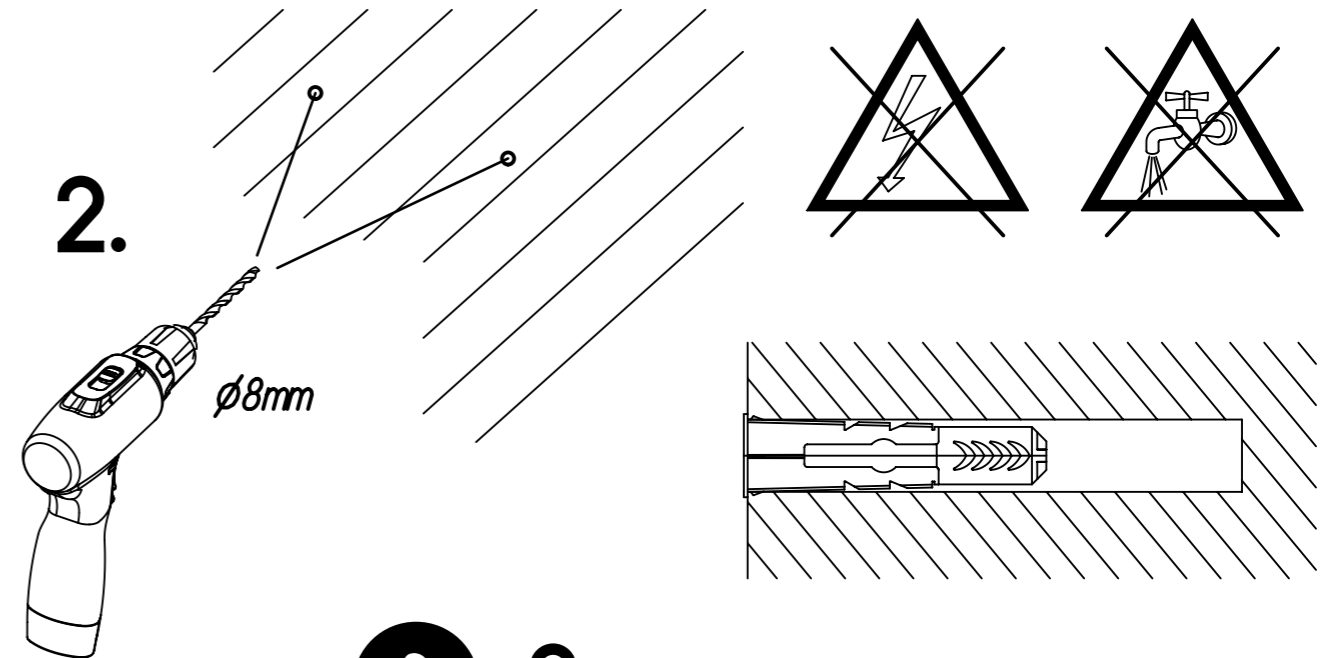


ø8mm

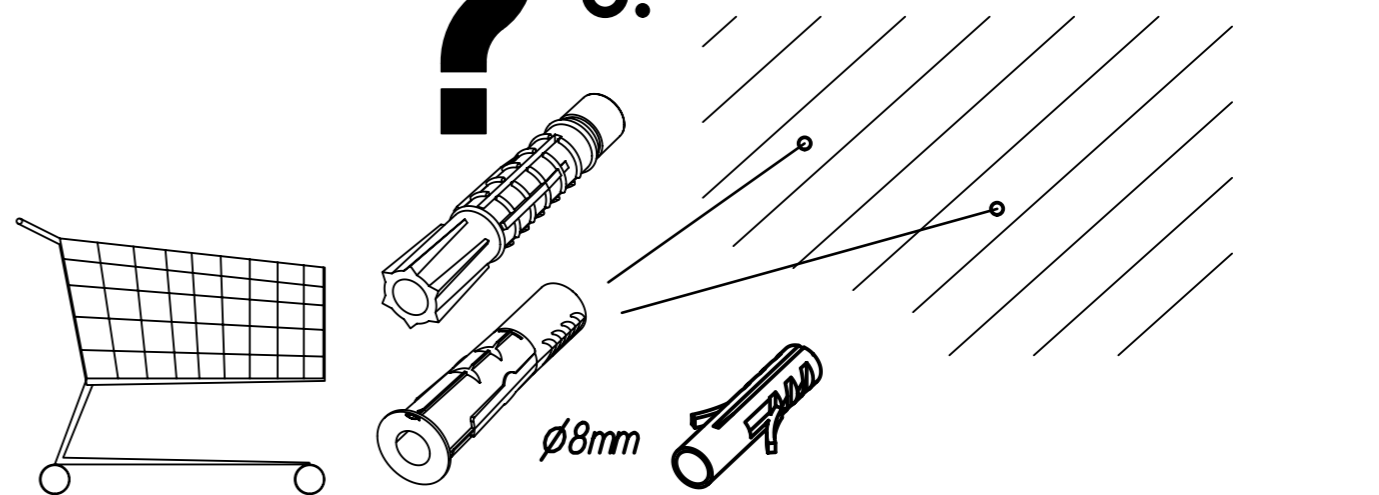
1.



2.

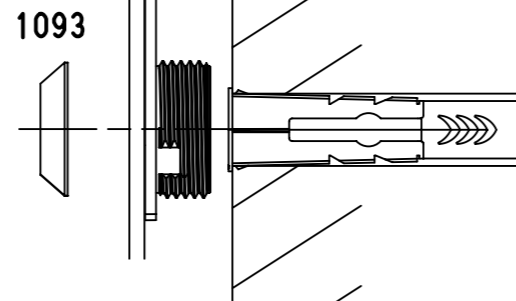
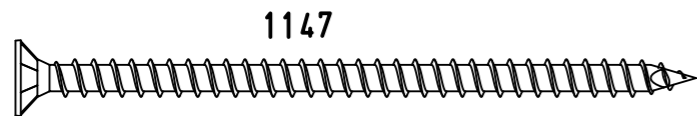
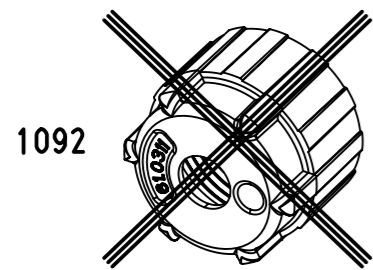
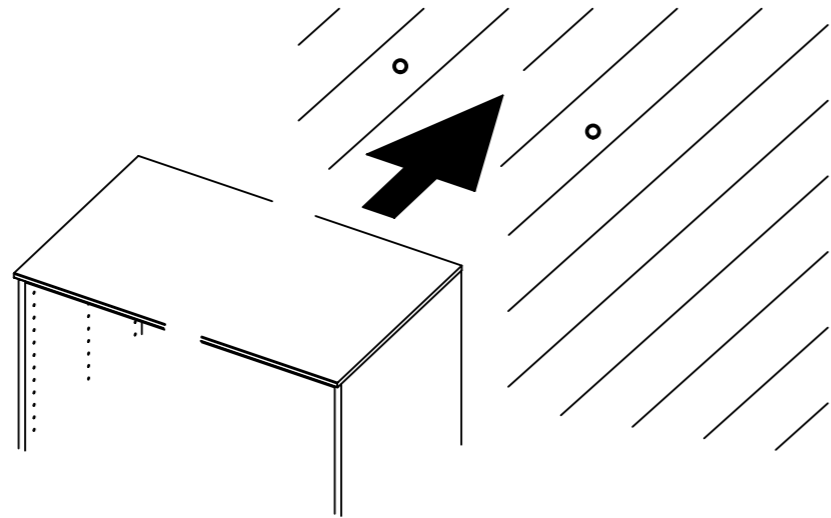
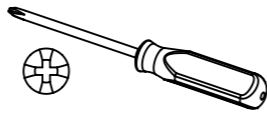
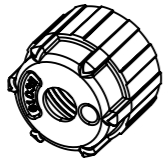


? 3.

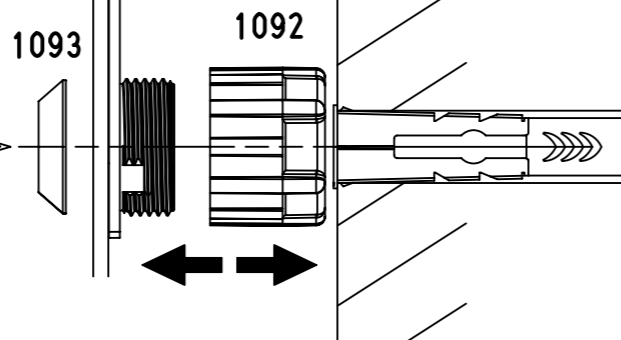
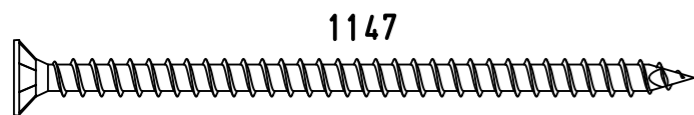


27

2x 1092

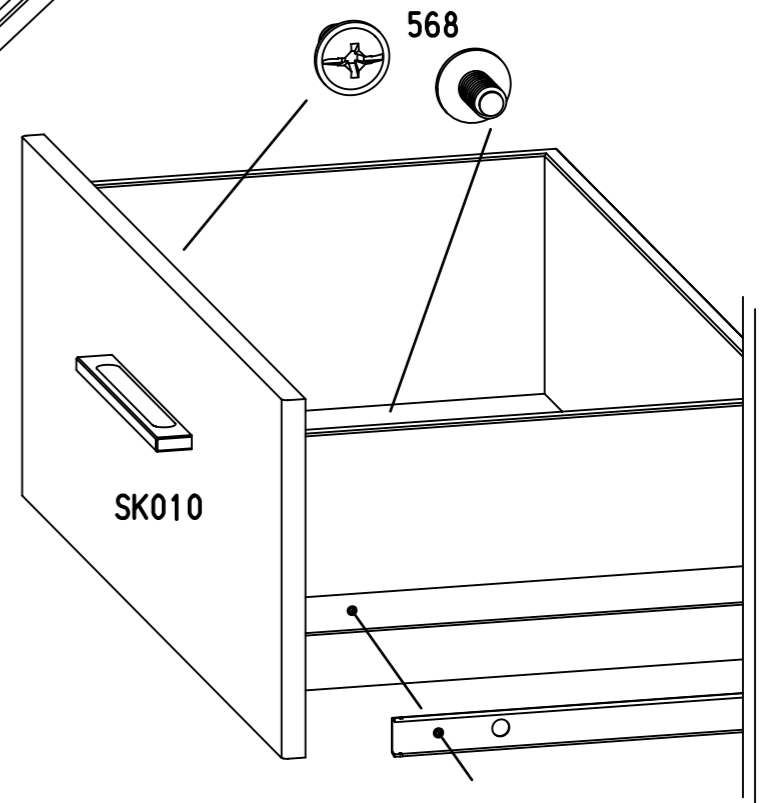
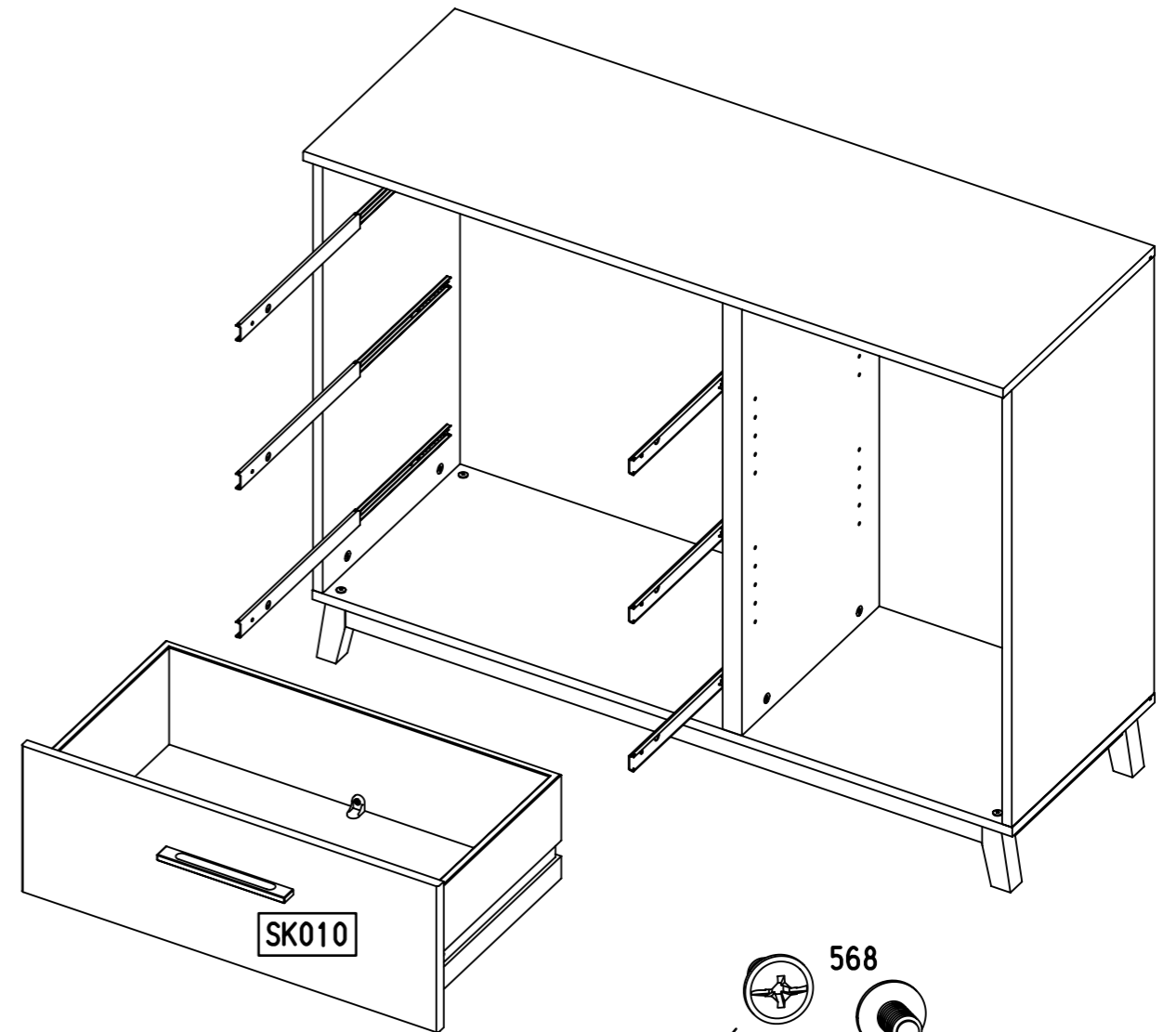
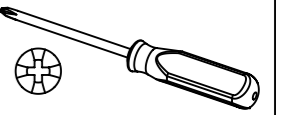


10-15mm



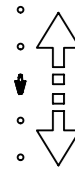
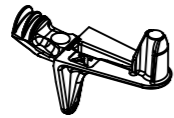
28

6x 568

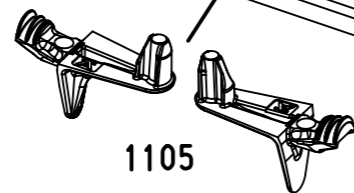
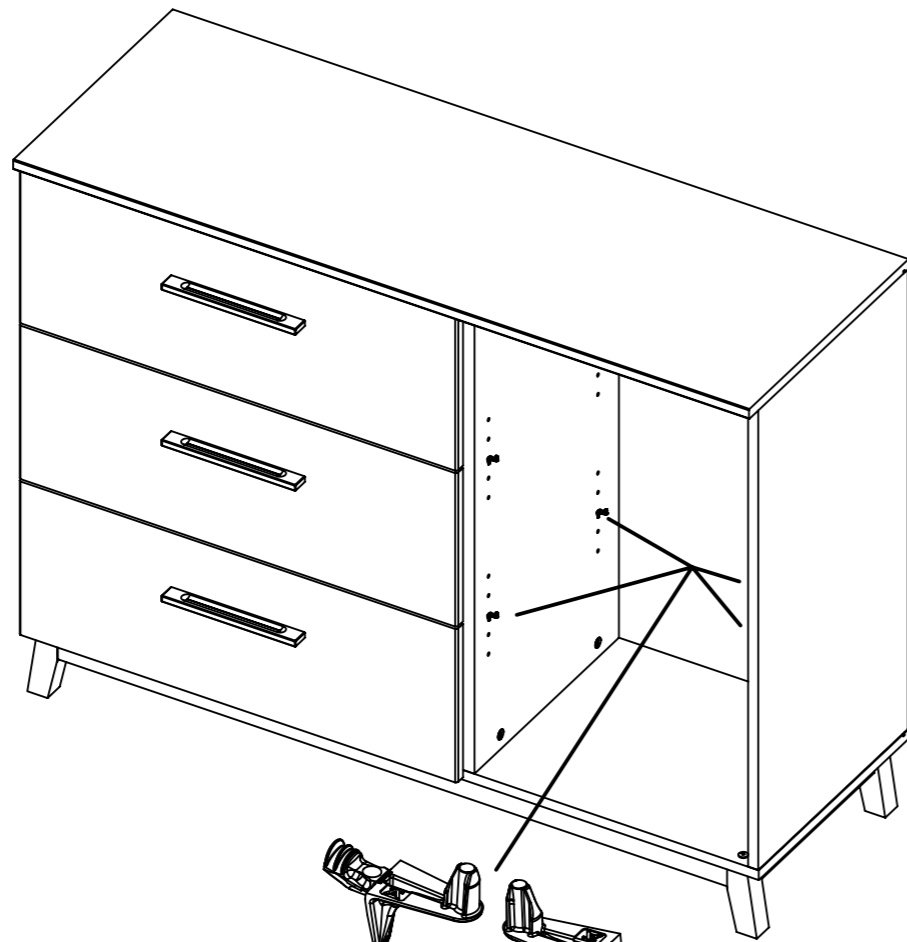
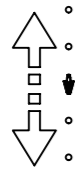


29

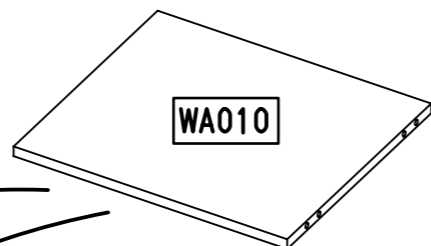
8x 1105



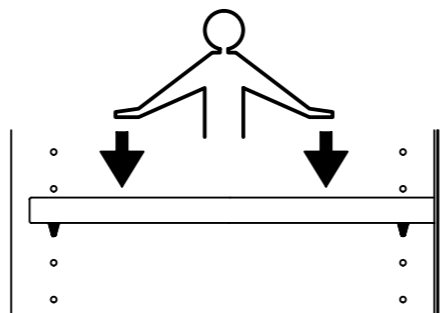
1105



1105

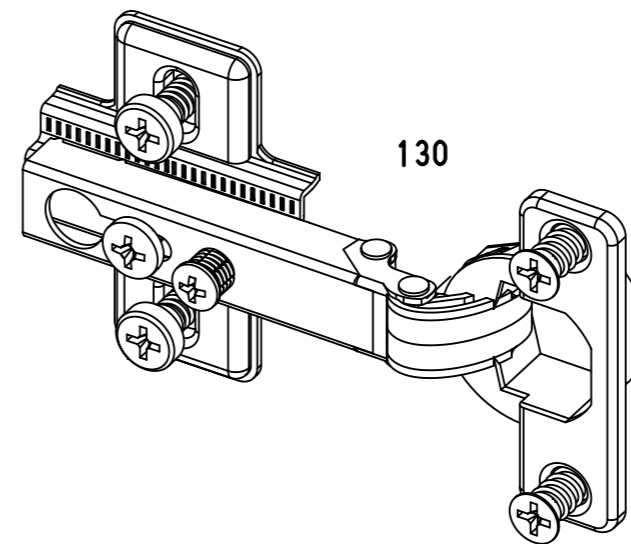
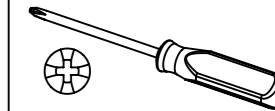
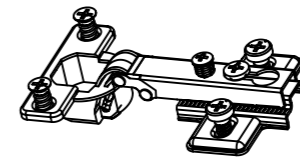


WA010



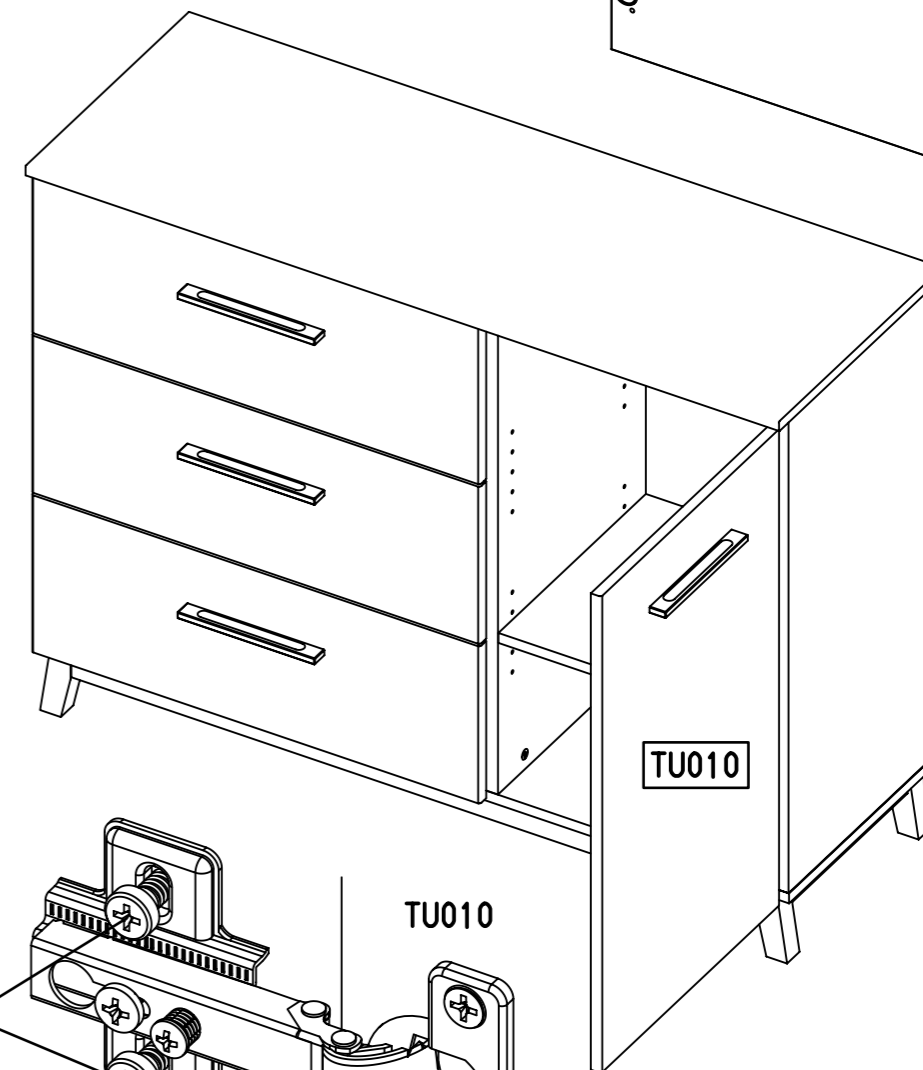
30

2x 130



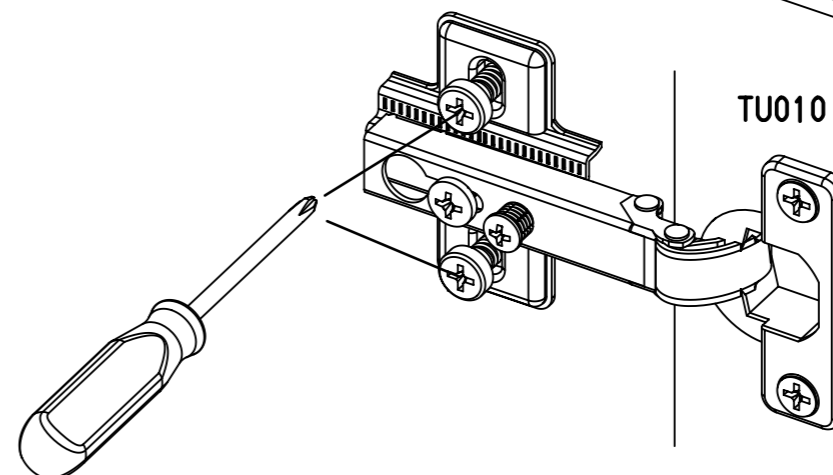
130

TU010



TU010

TU010



31

