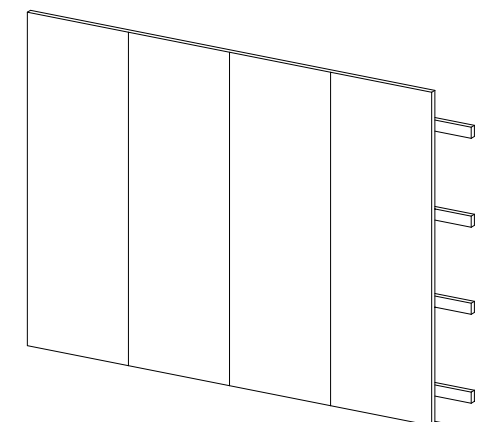
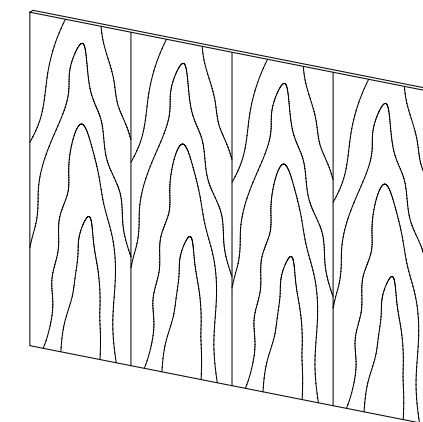
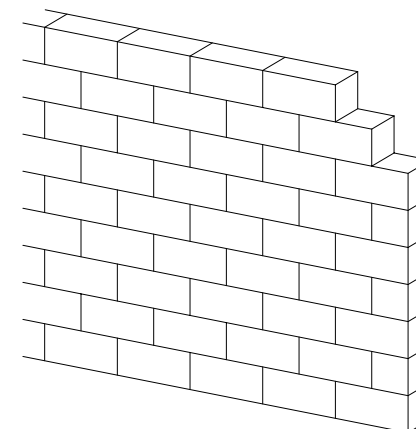
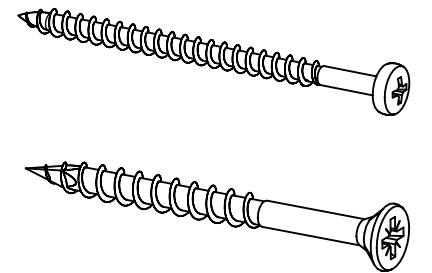
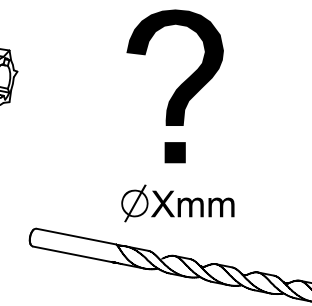
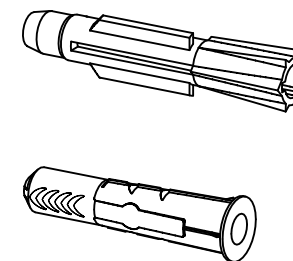
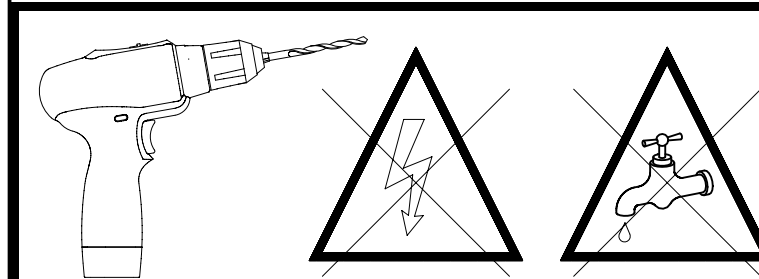
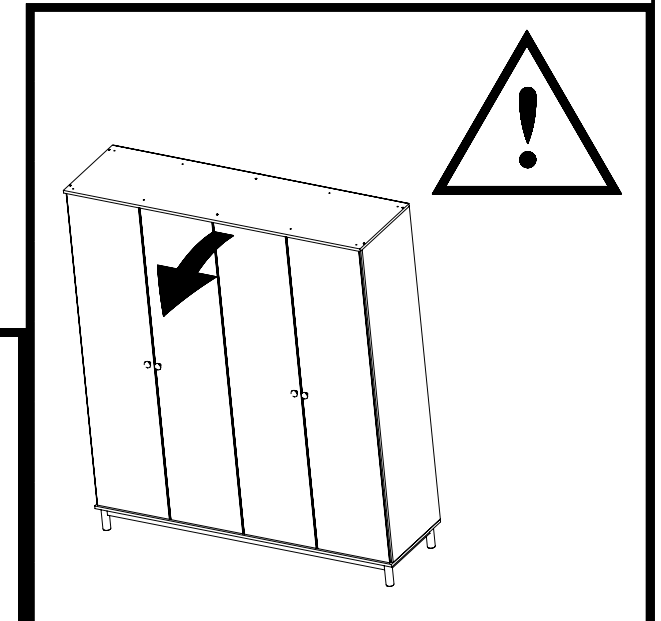
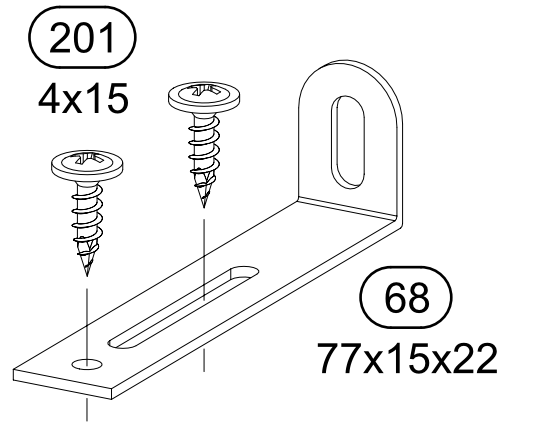
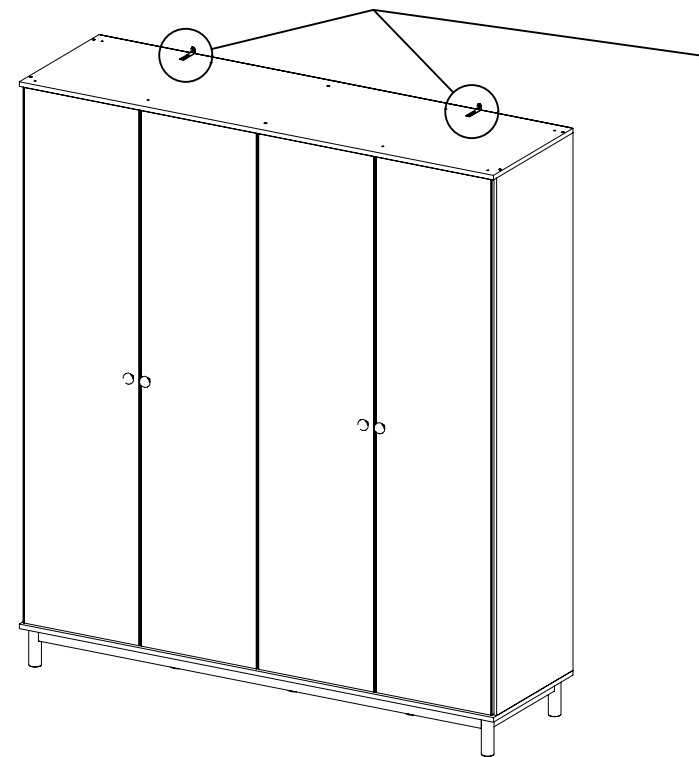
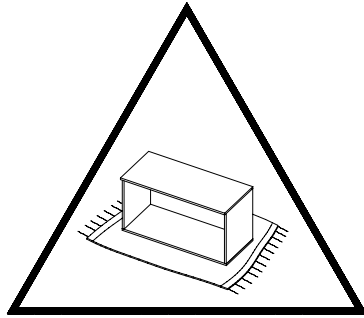
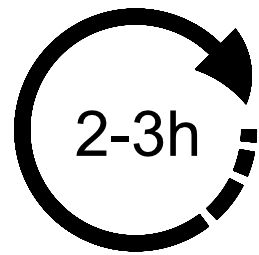
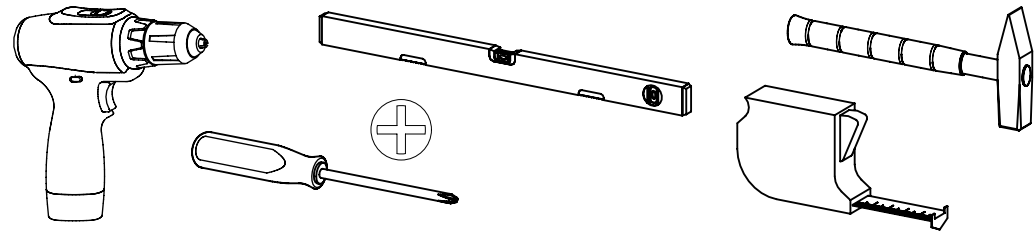
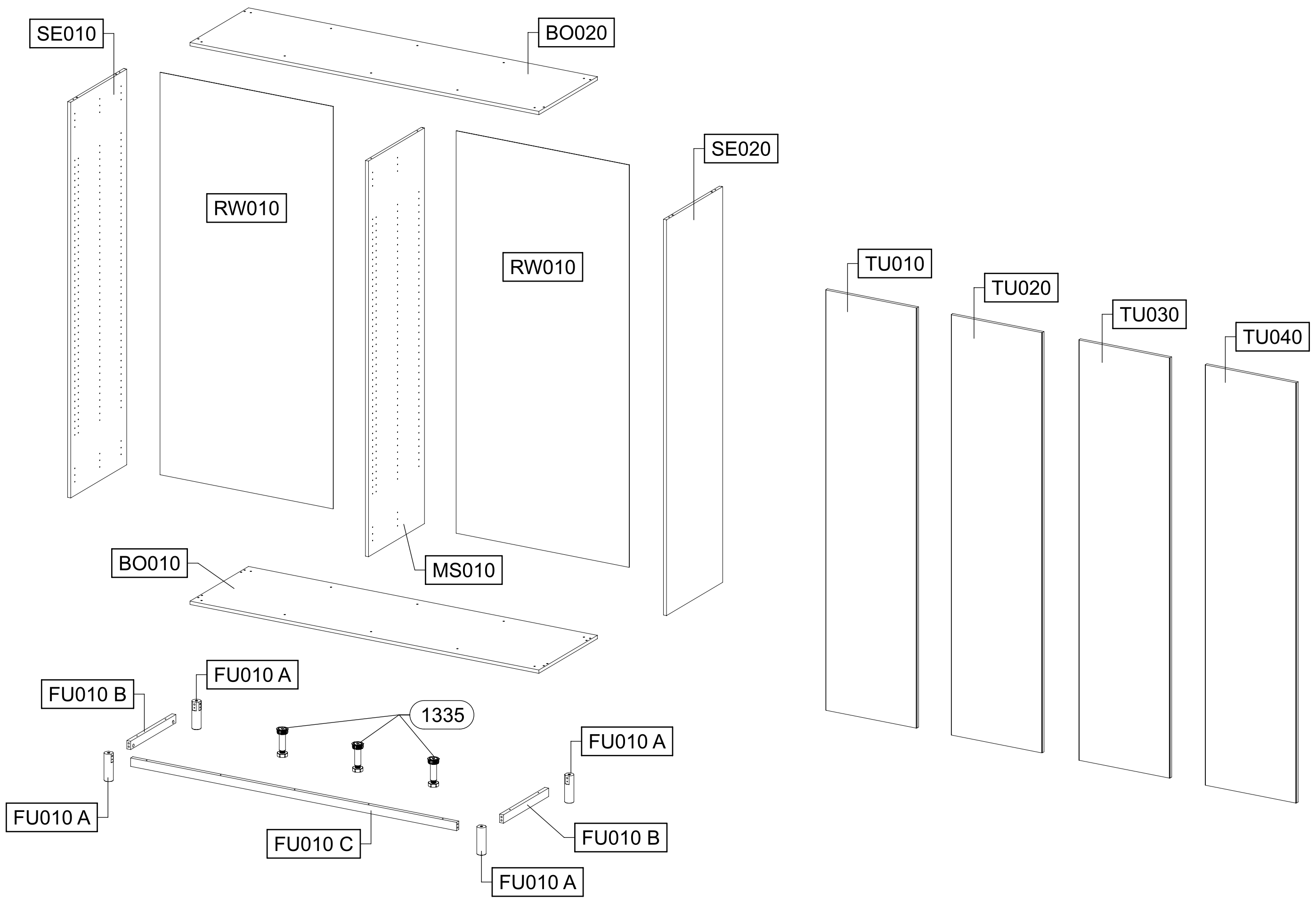
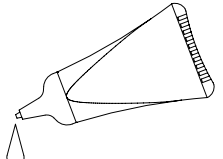
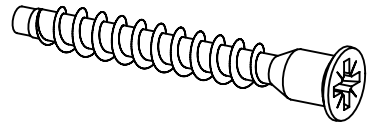



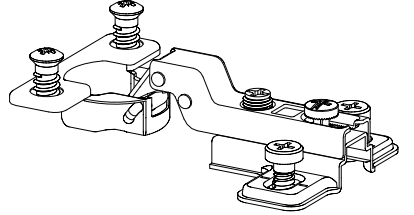
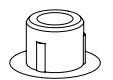
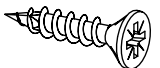
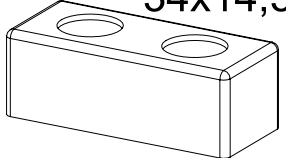
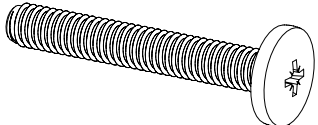
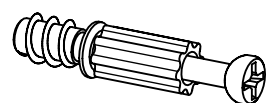

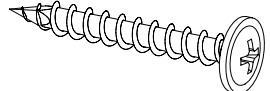
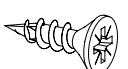
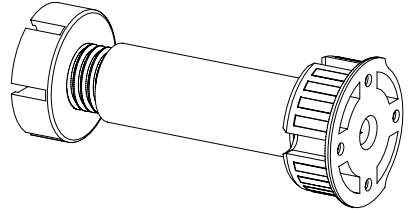
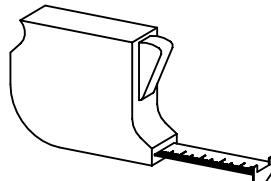
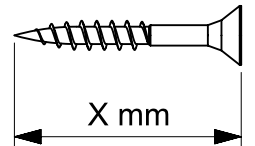
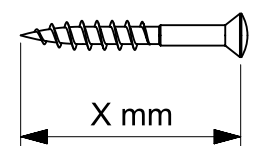
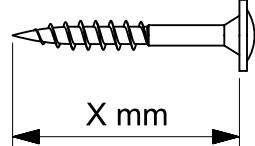



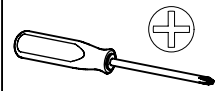
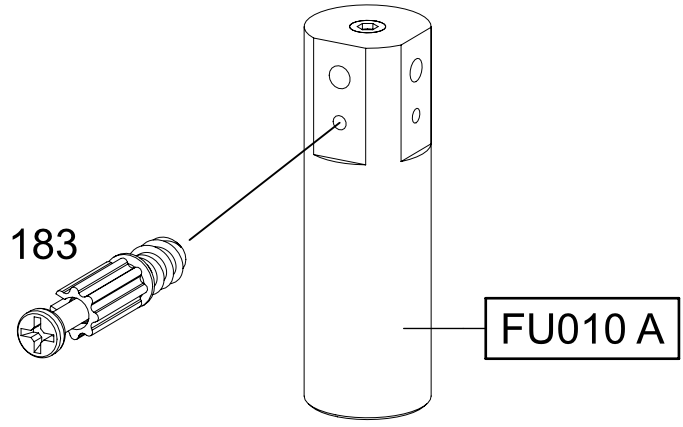
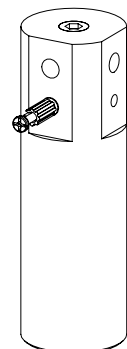
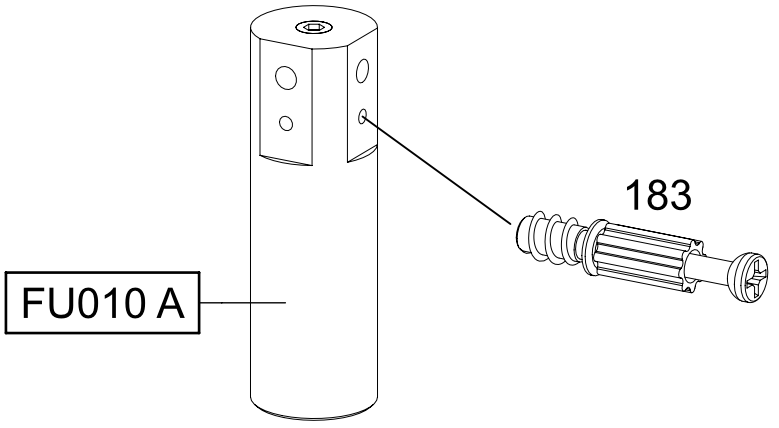
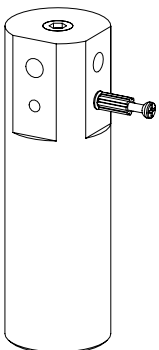
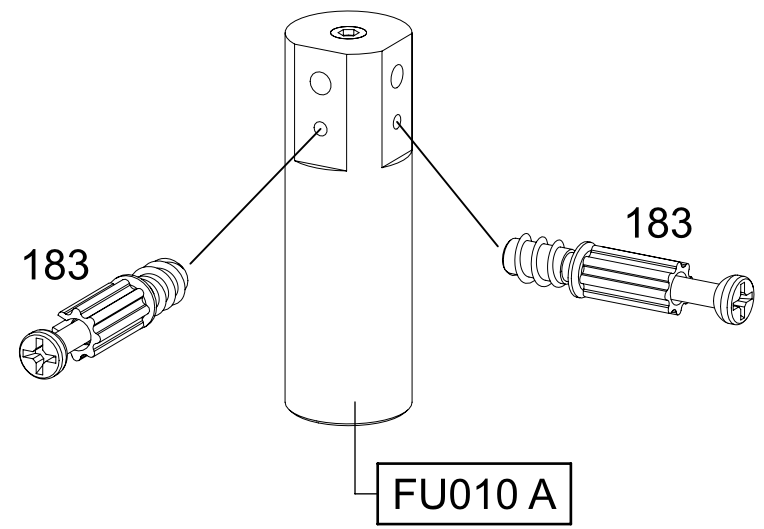
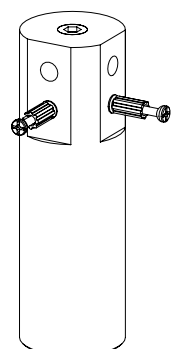
M2733_01

rauch





 11	12x 6,3x50  233	14x 8x30  18
40x 1,5x25  768	7x 3x20  215	
12x  116	12x Ø8  405	
8x 4x20  427	4x 34x14,5x12  769	
4x M6x40  245	6x  183	
6x  349	9x 4,5x35  214	
12x 4x15  836	3x  1335	
	 X mm	 X mm
	 X mm	

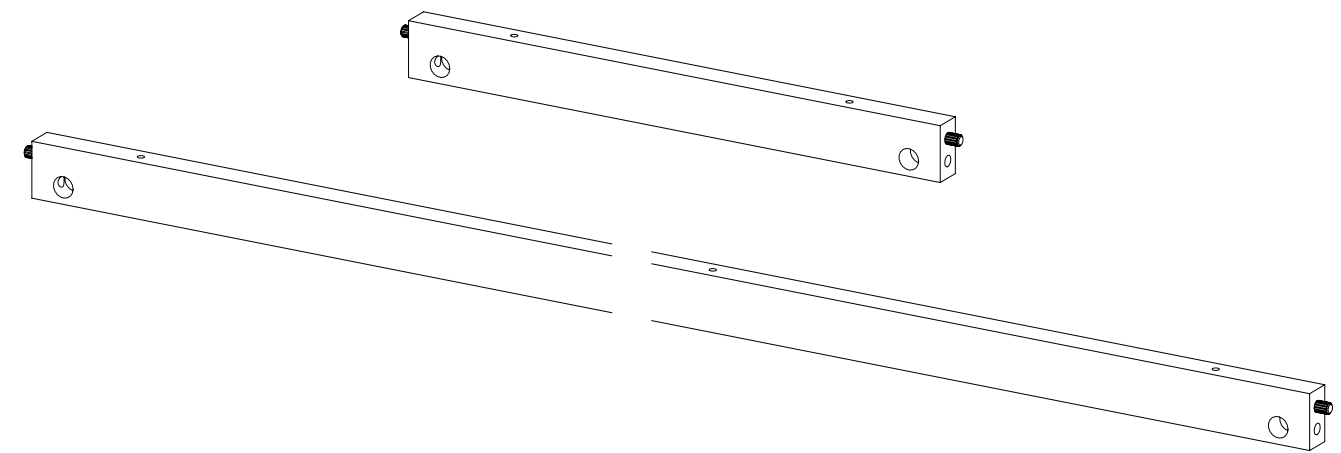
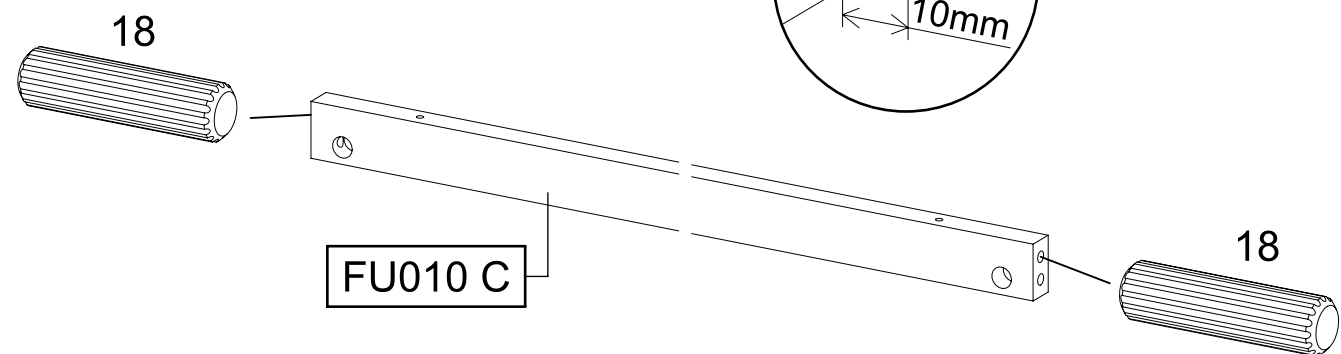
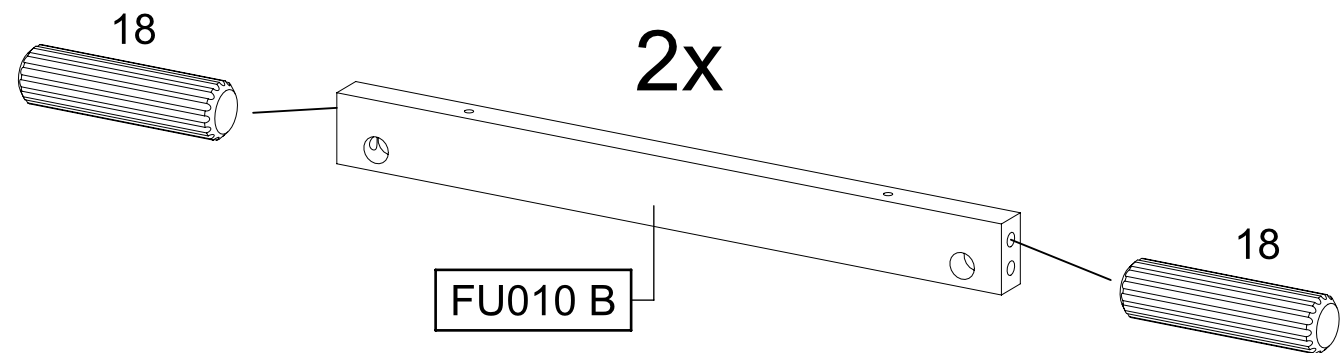
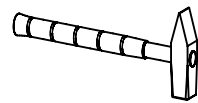
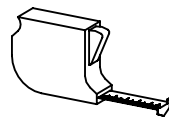
1	6x 183 	
	1x 	
	1x 	
	2x 	

2

6x

18

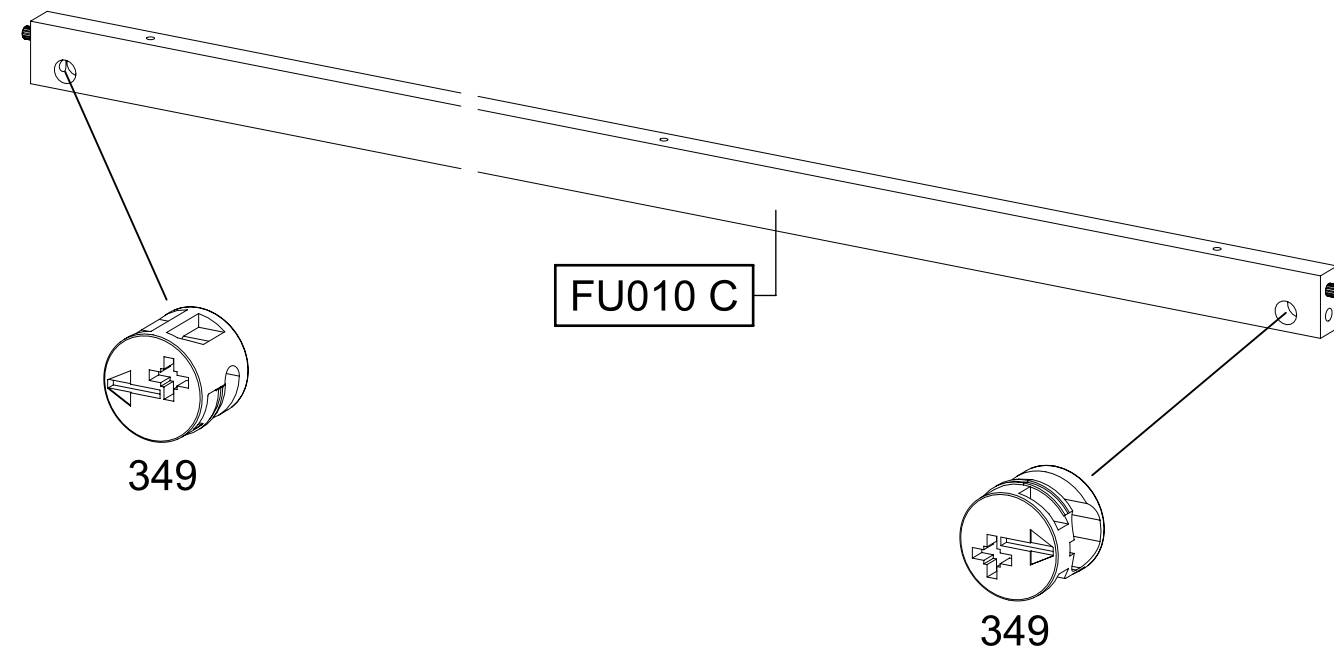
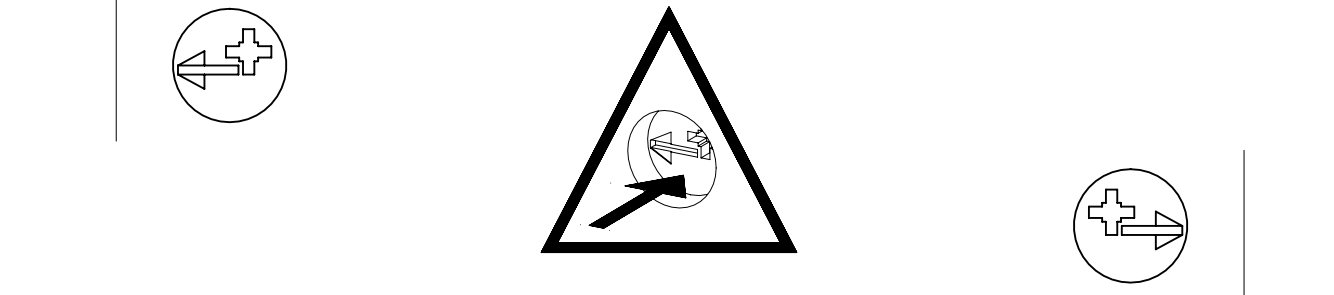
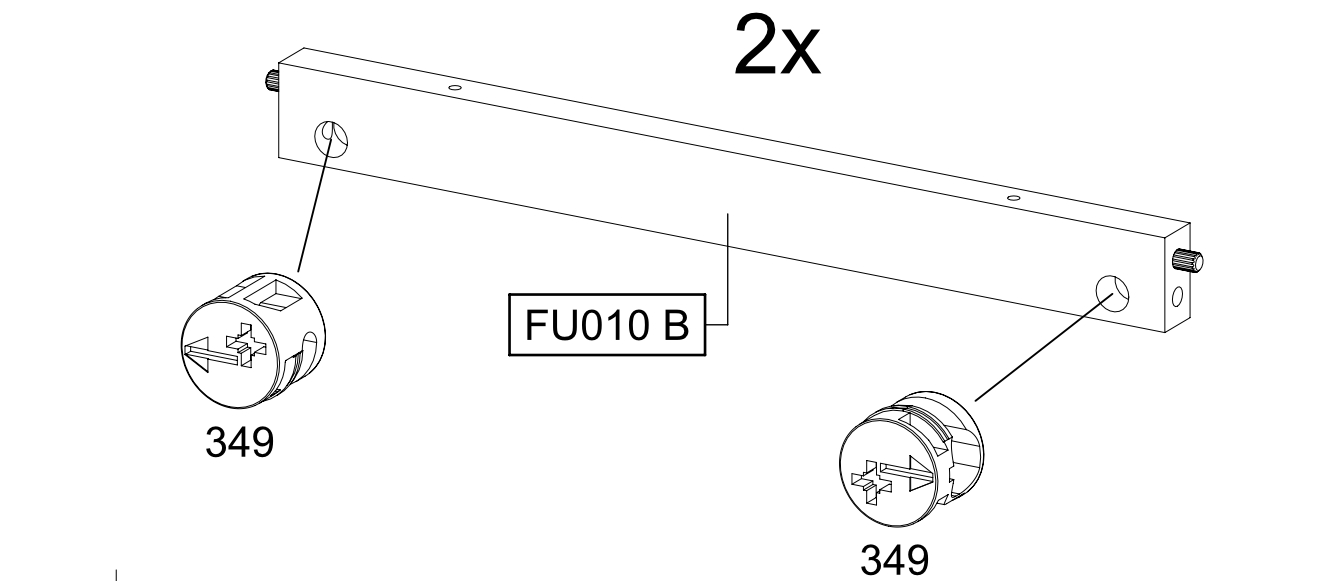
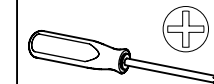
8x30



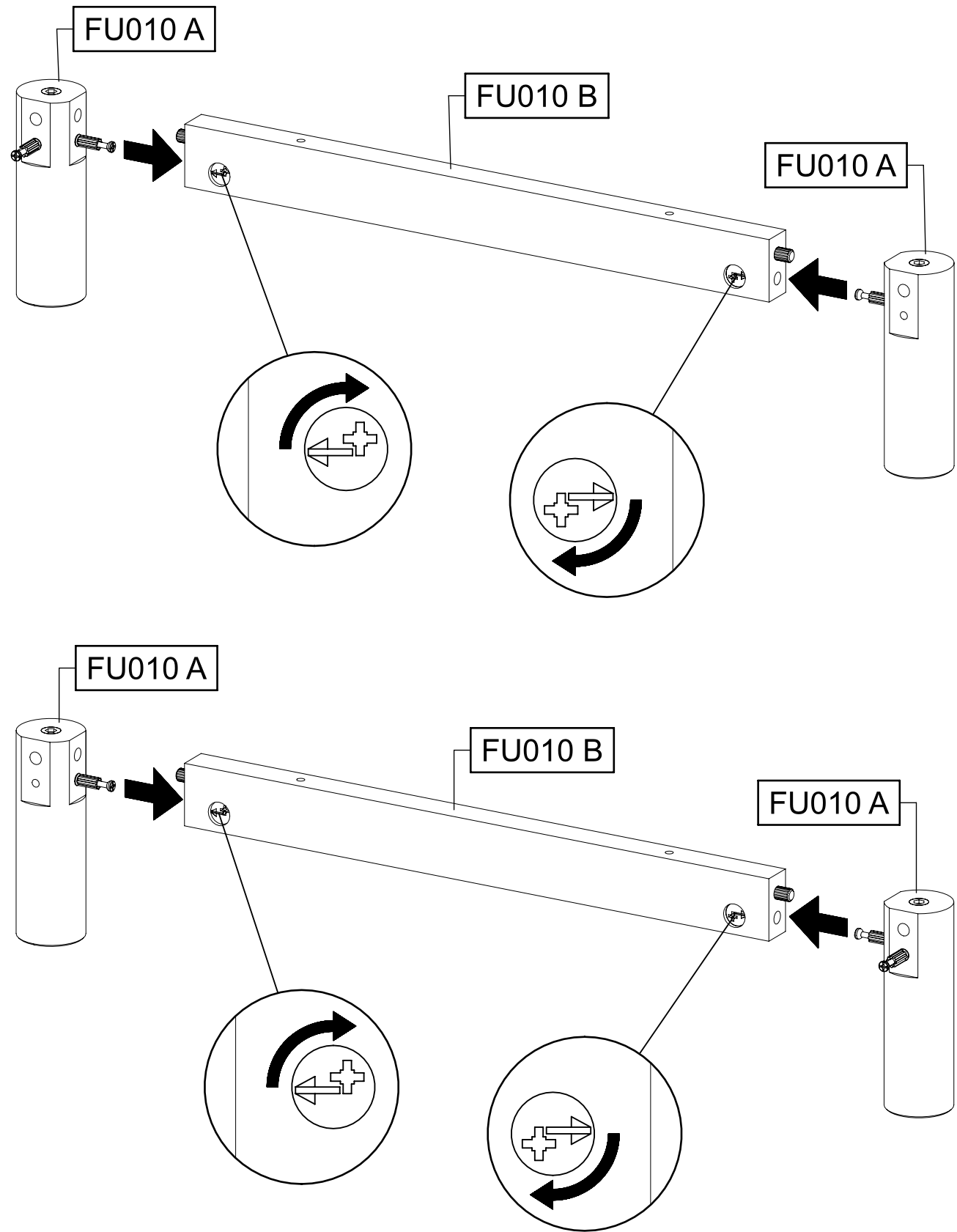
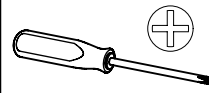
3

6x

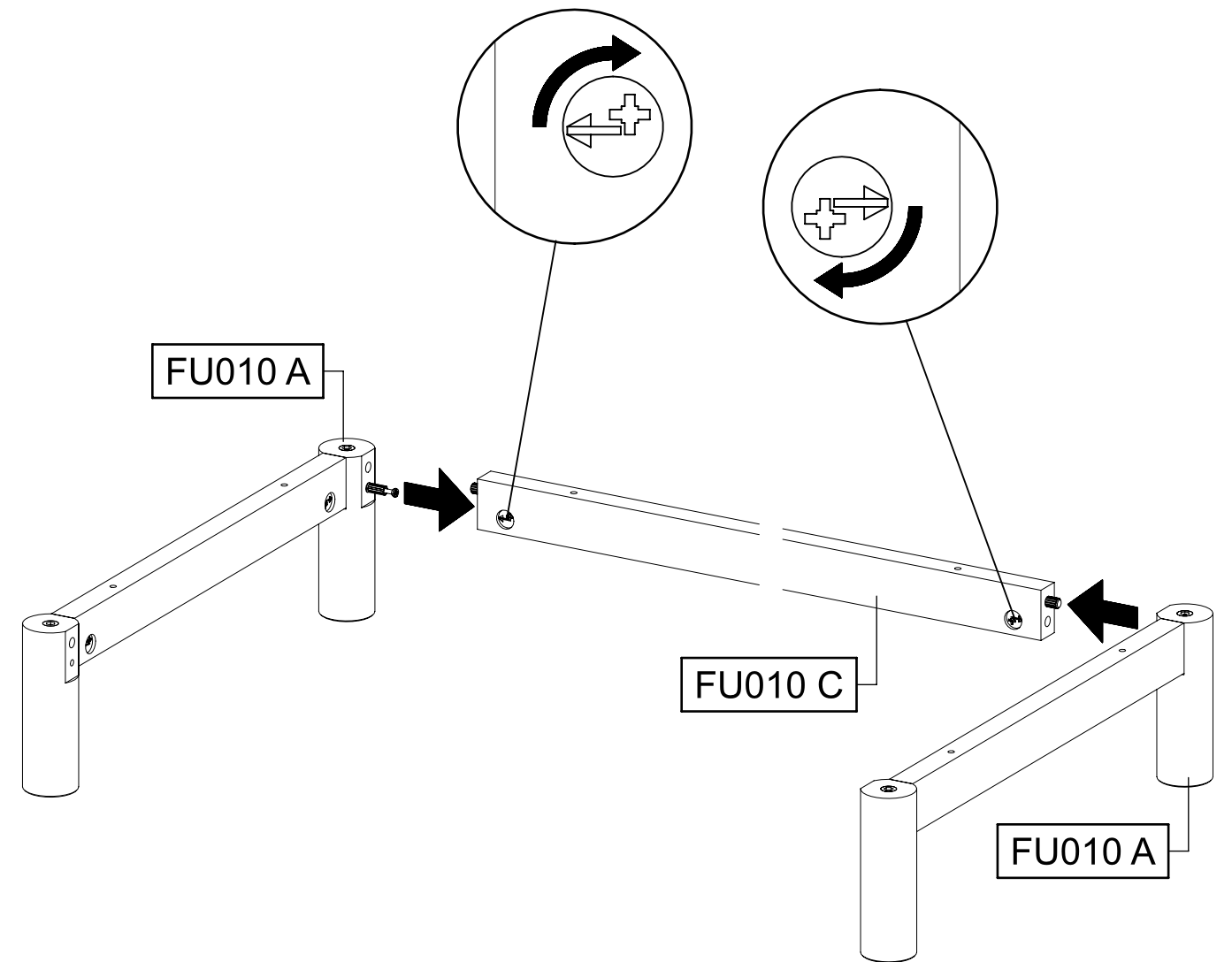
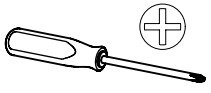
349



4



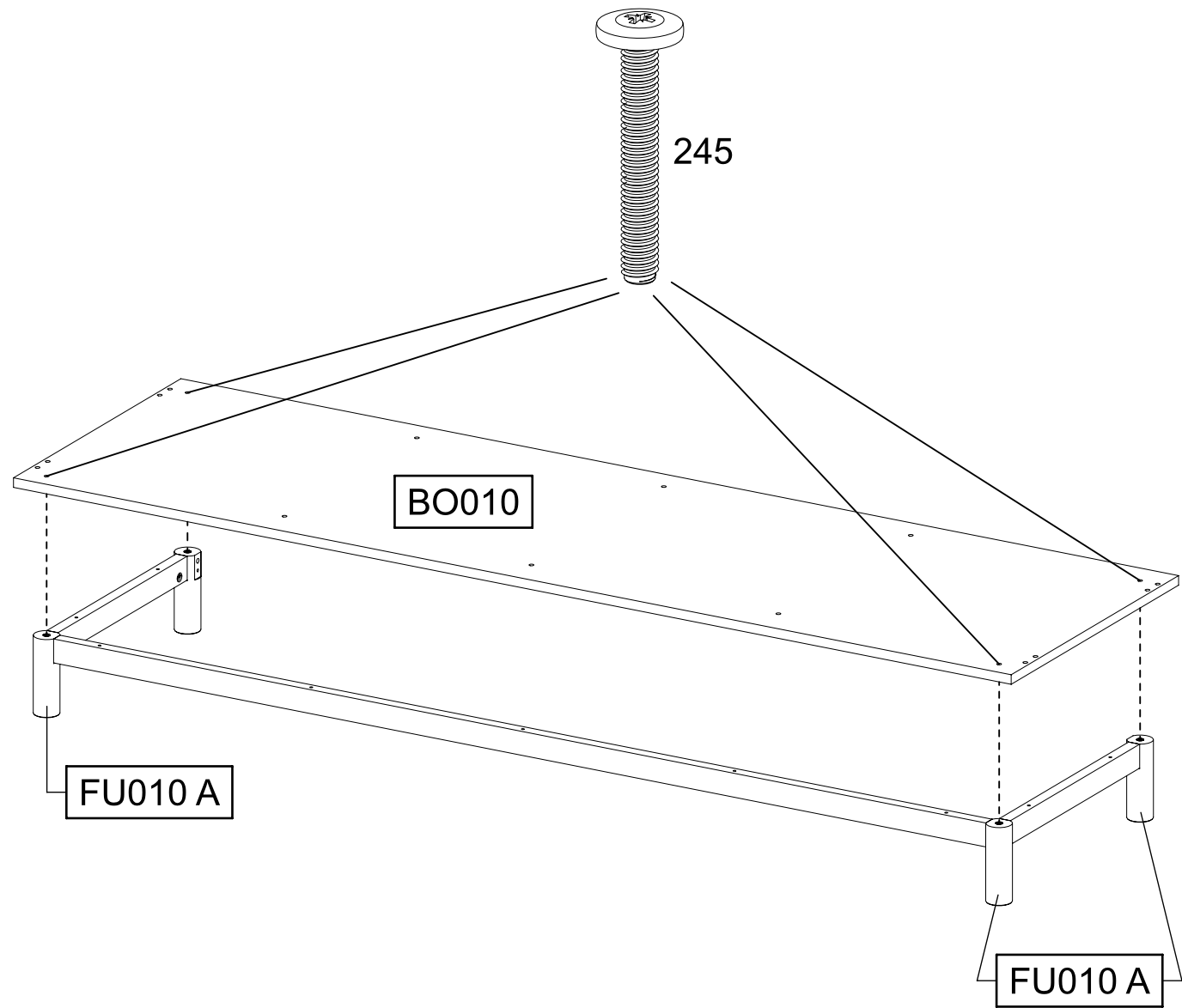
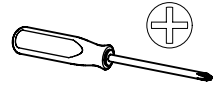
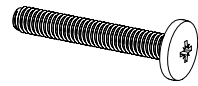
5



6

4x (245)

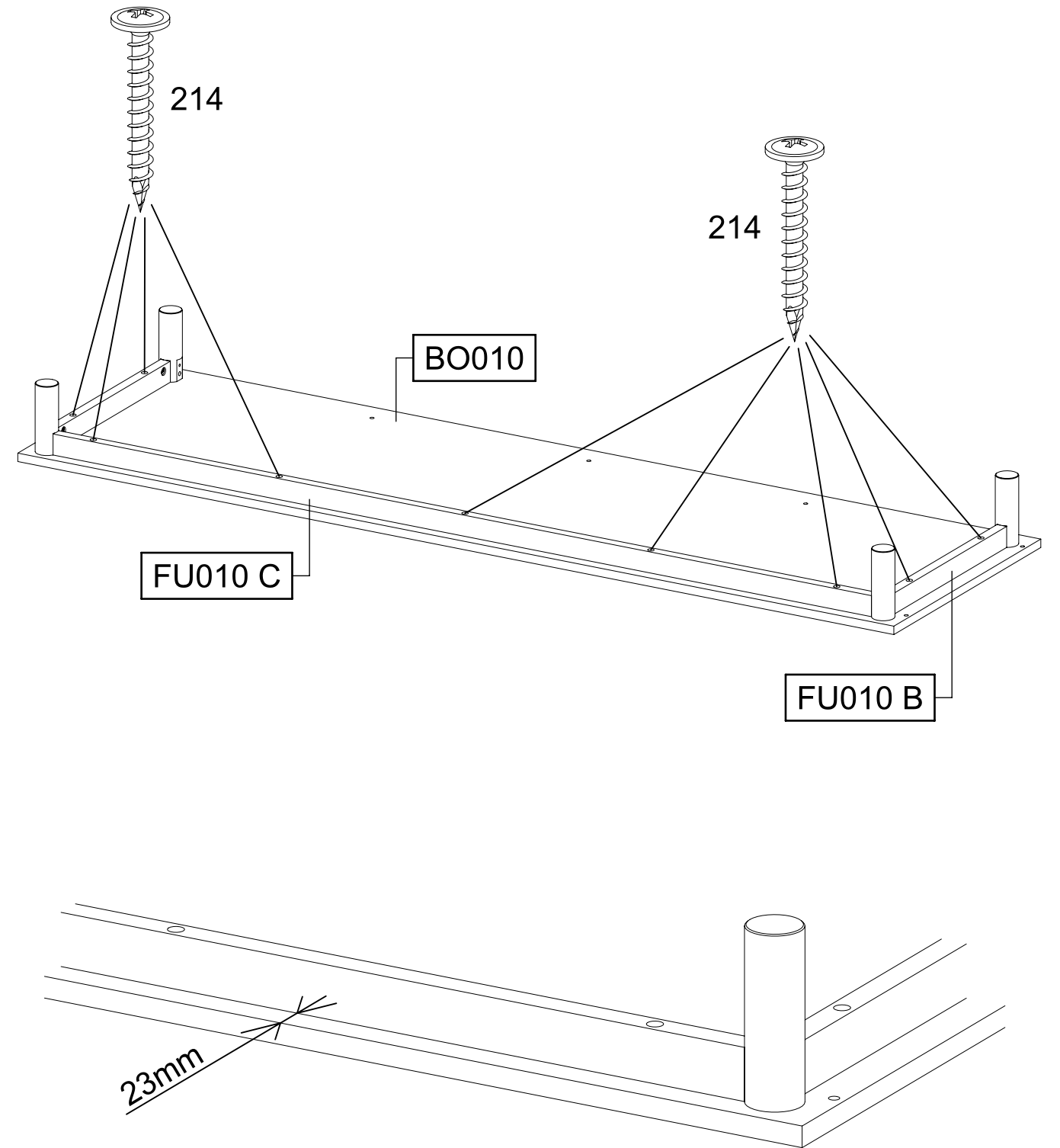
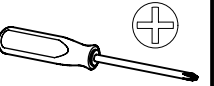
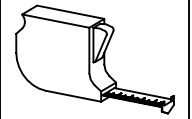
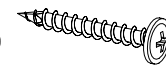
M6x40



7

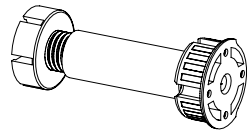
9x (214)

4,5x35



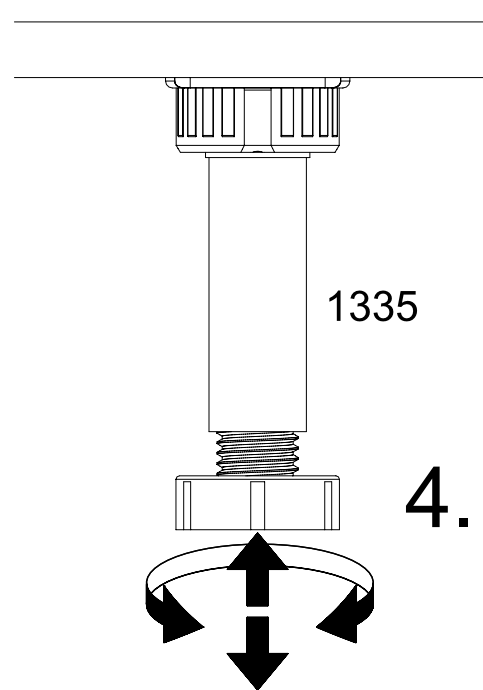
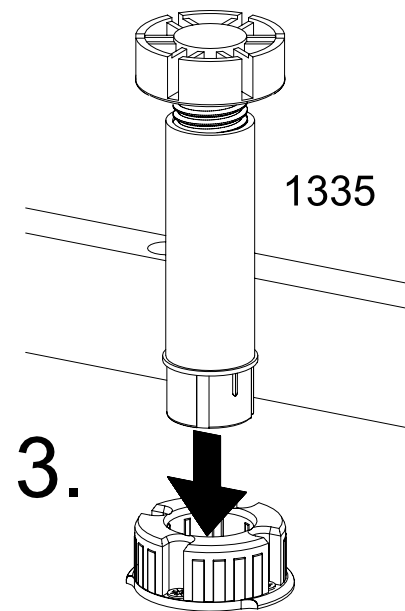
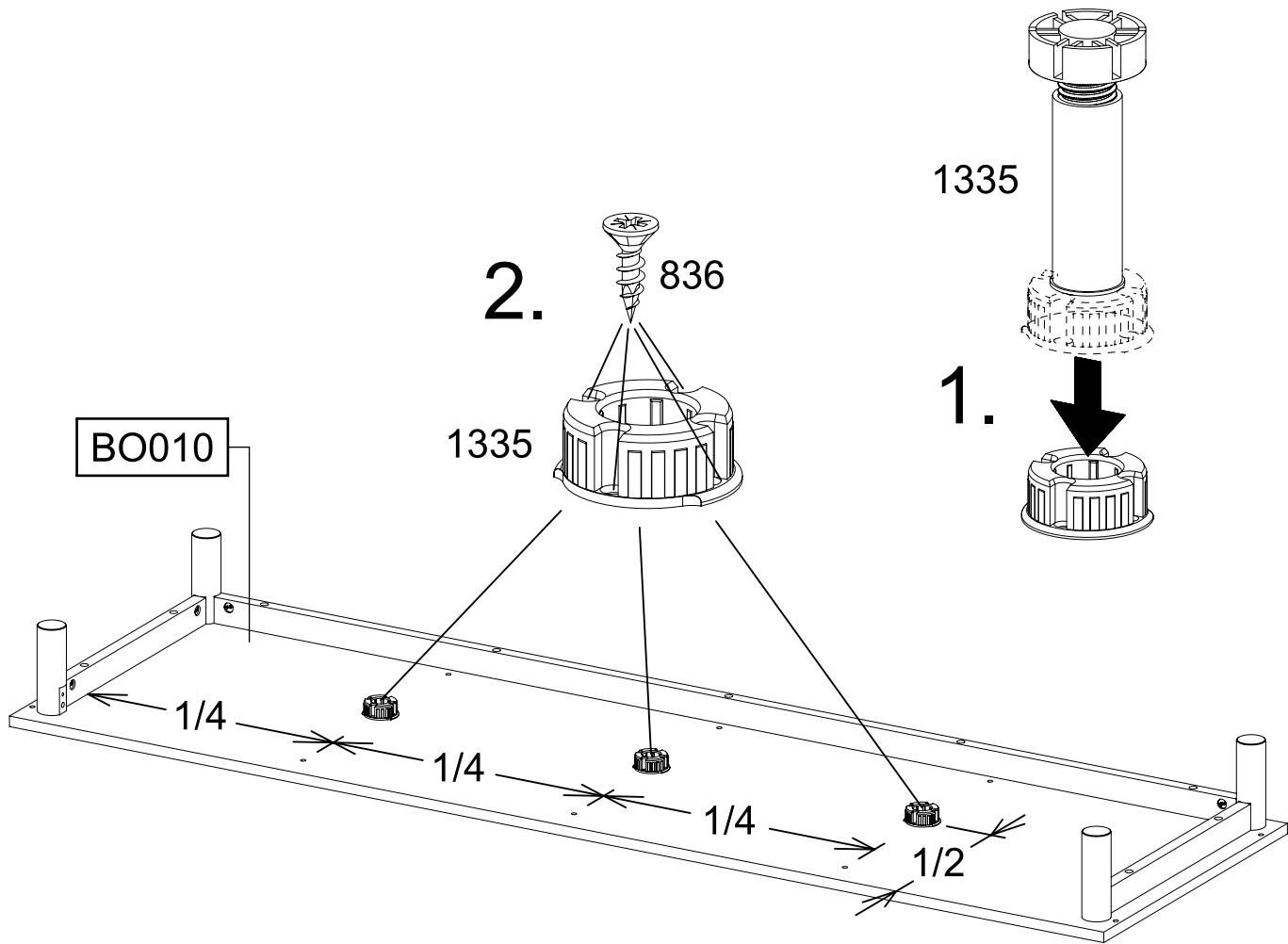
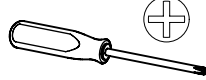
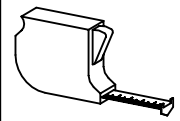
8

3x 1335



12x 836

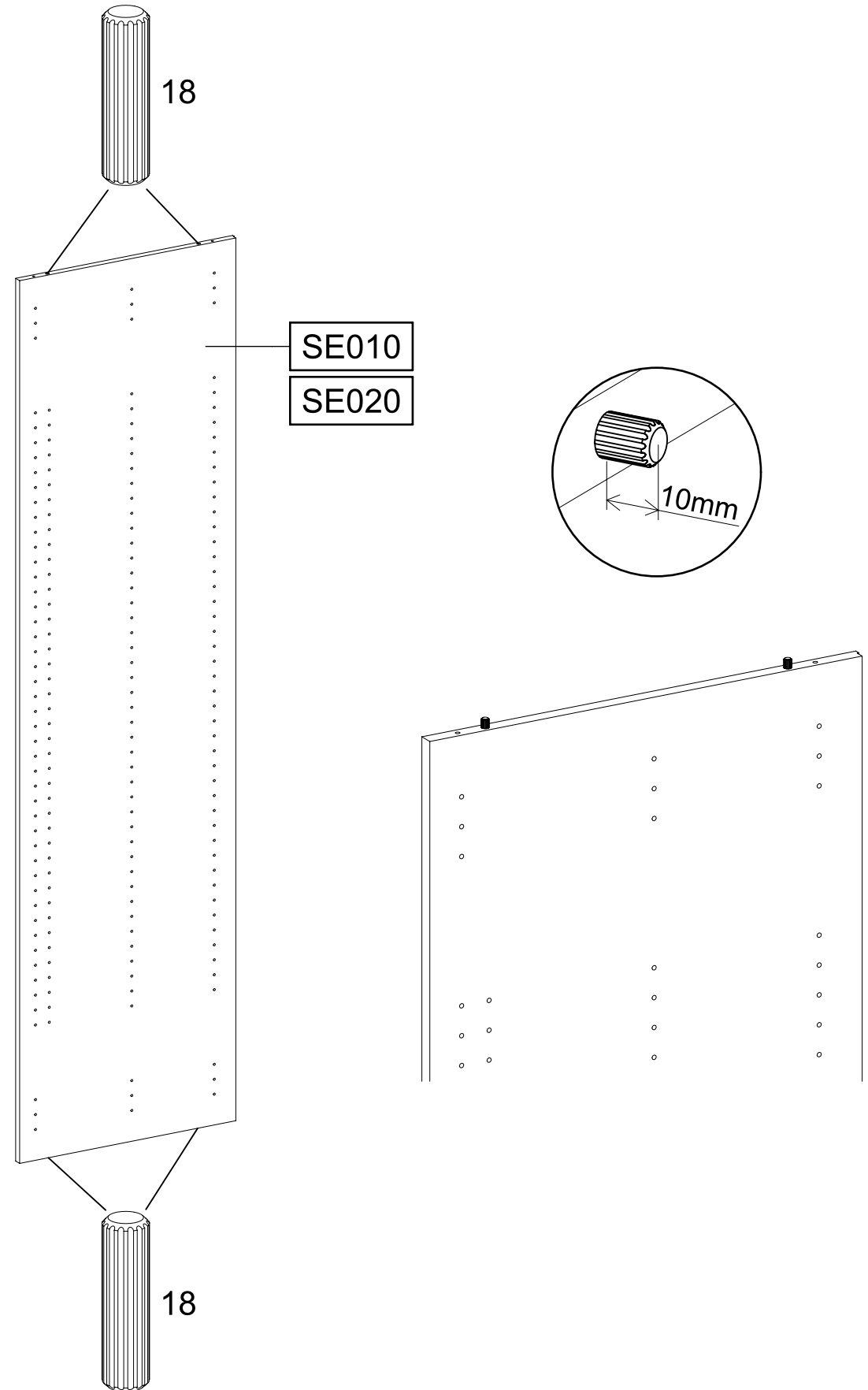
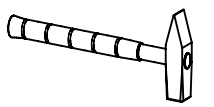
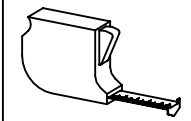
4x15



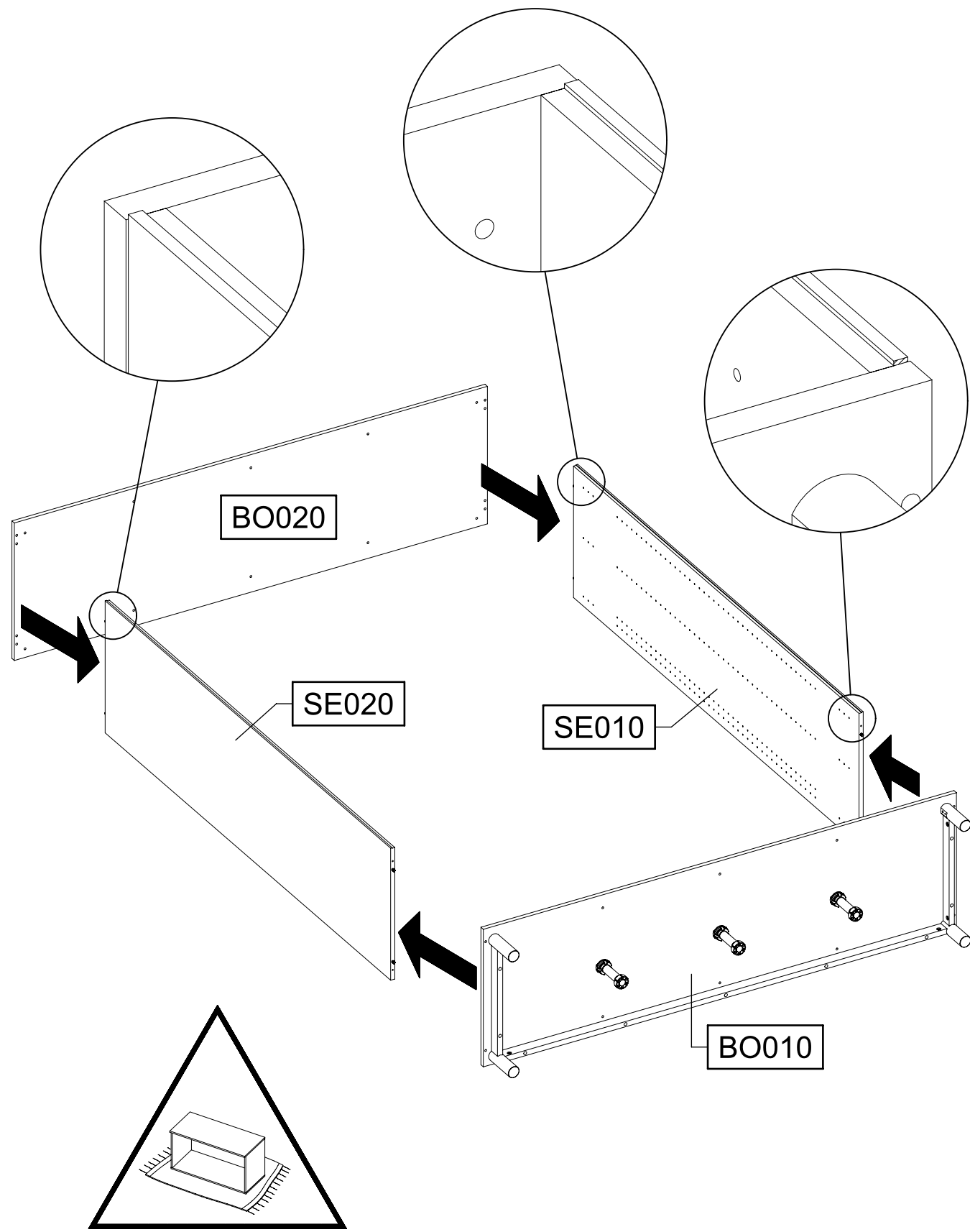
9

8x 18

8x30



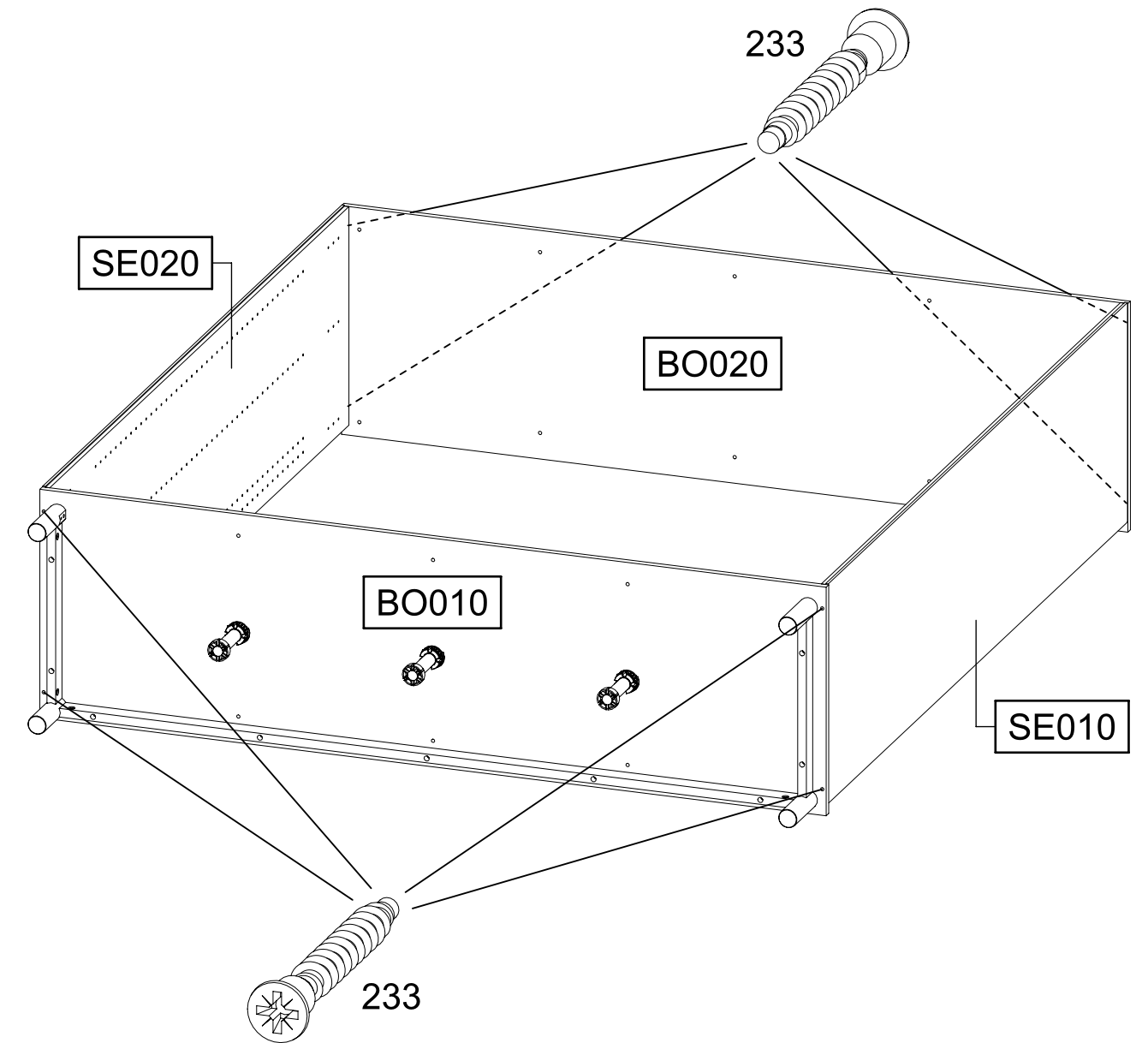
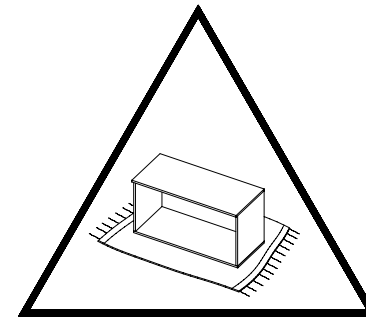
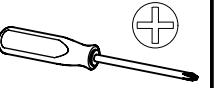
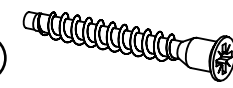
10



11

8x (233)

6,3x50

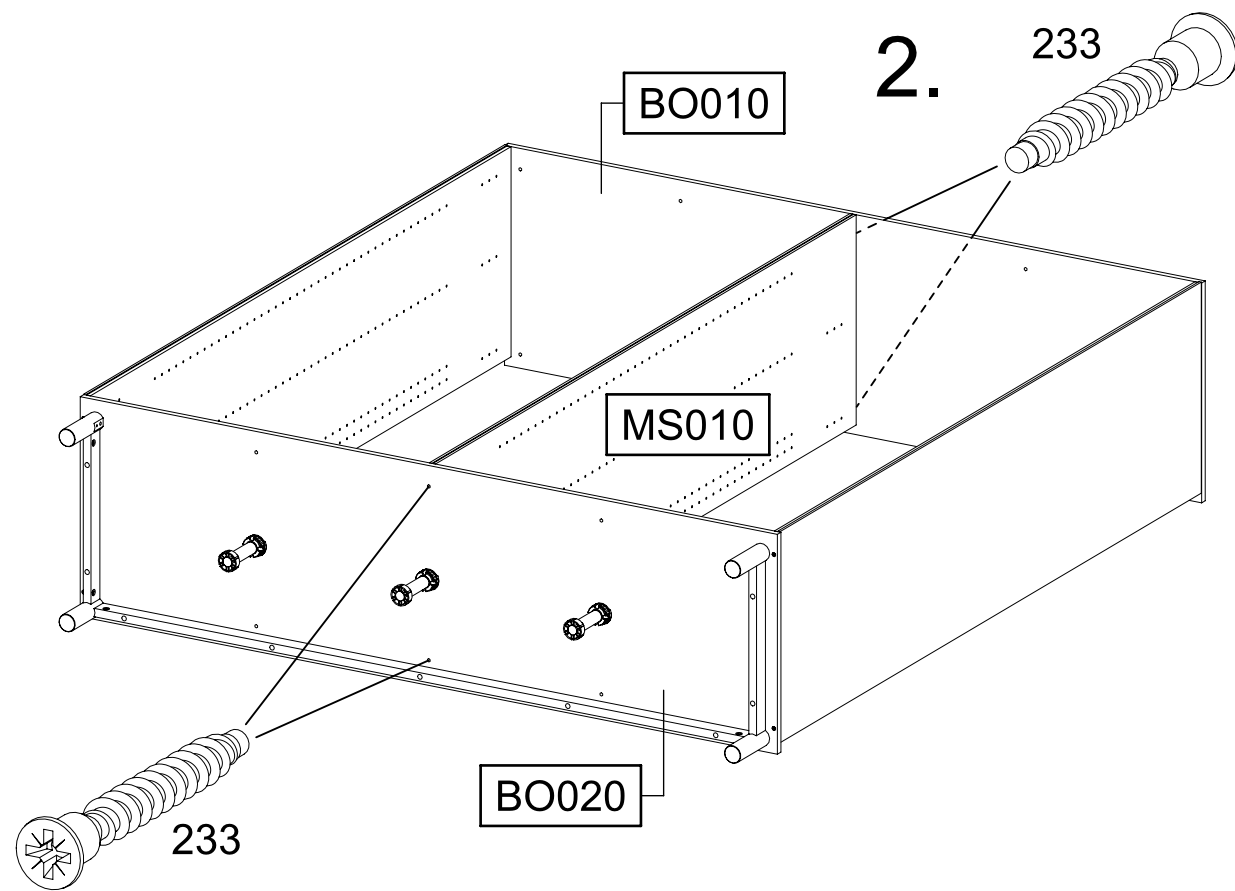
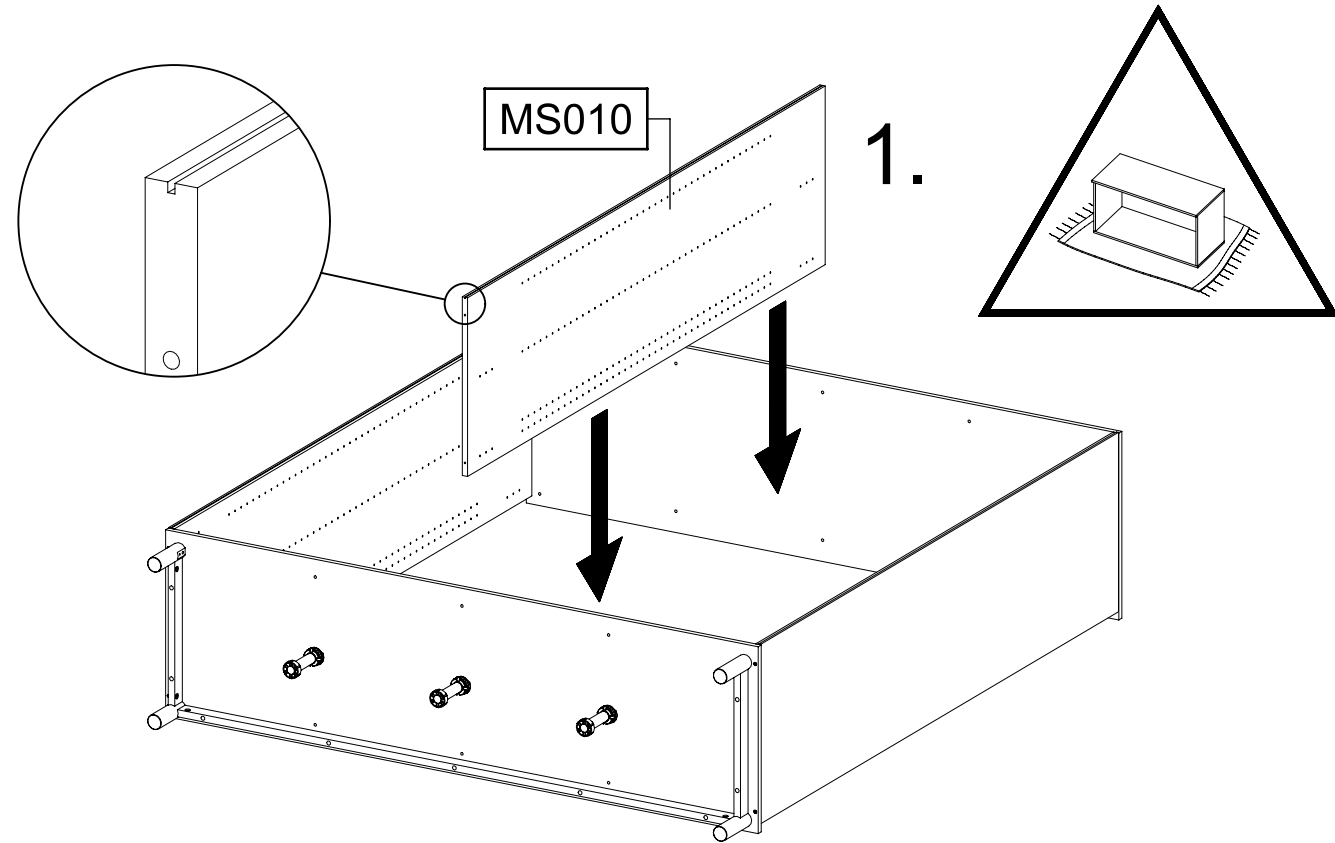
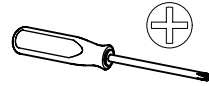
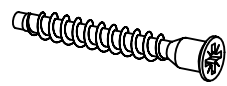


12

4x

233

6,3x50

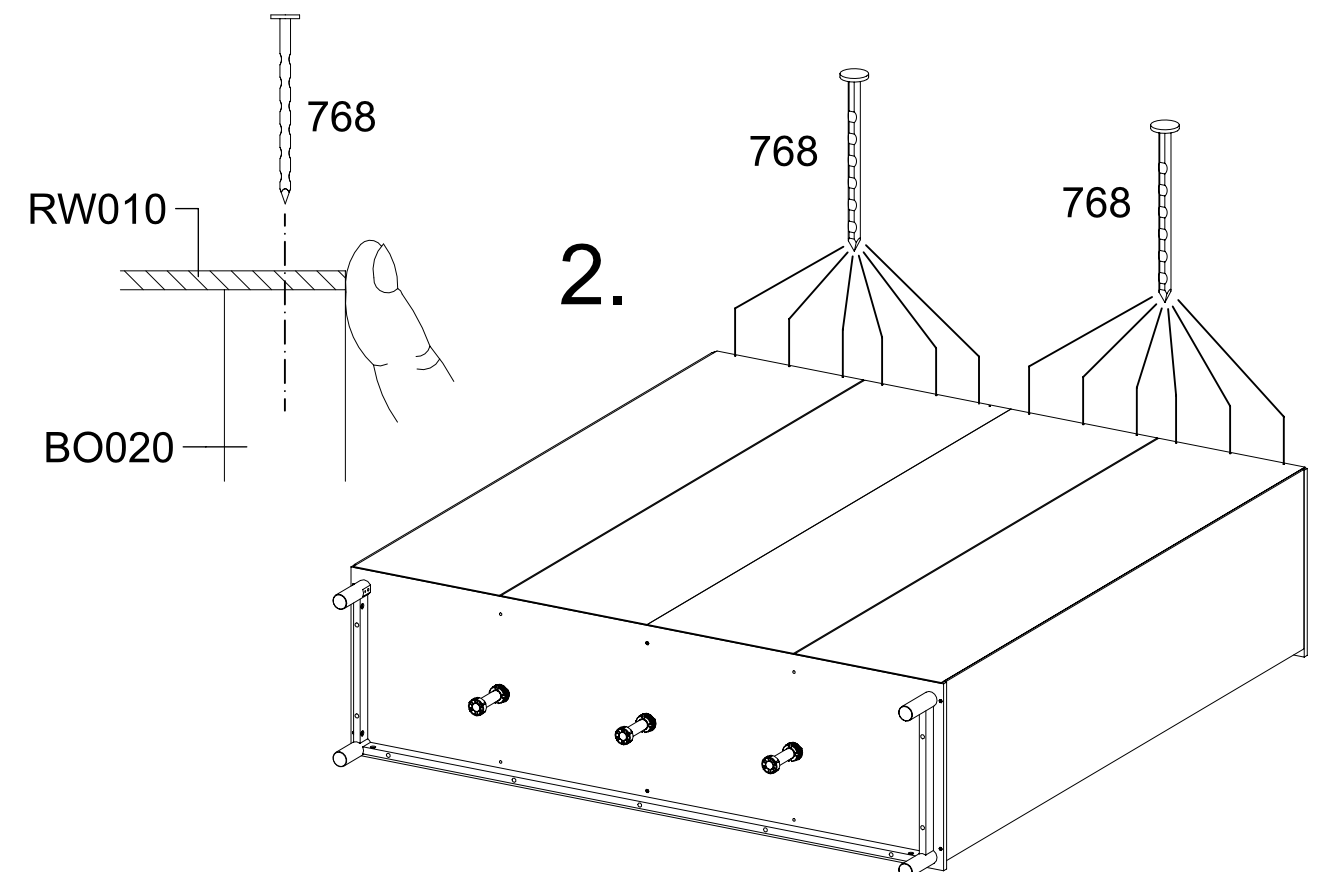
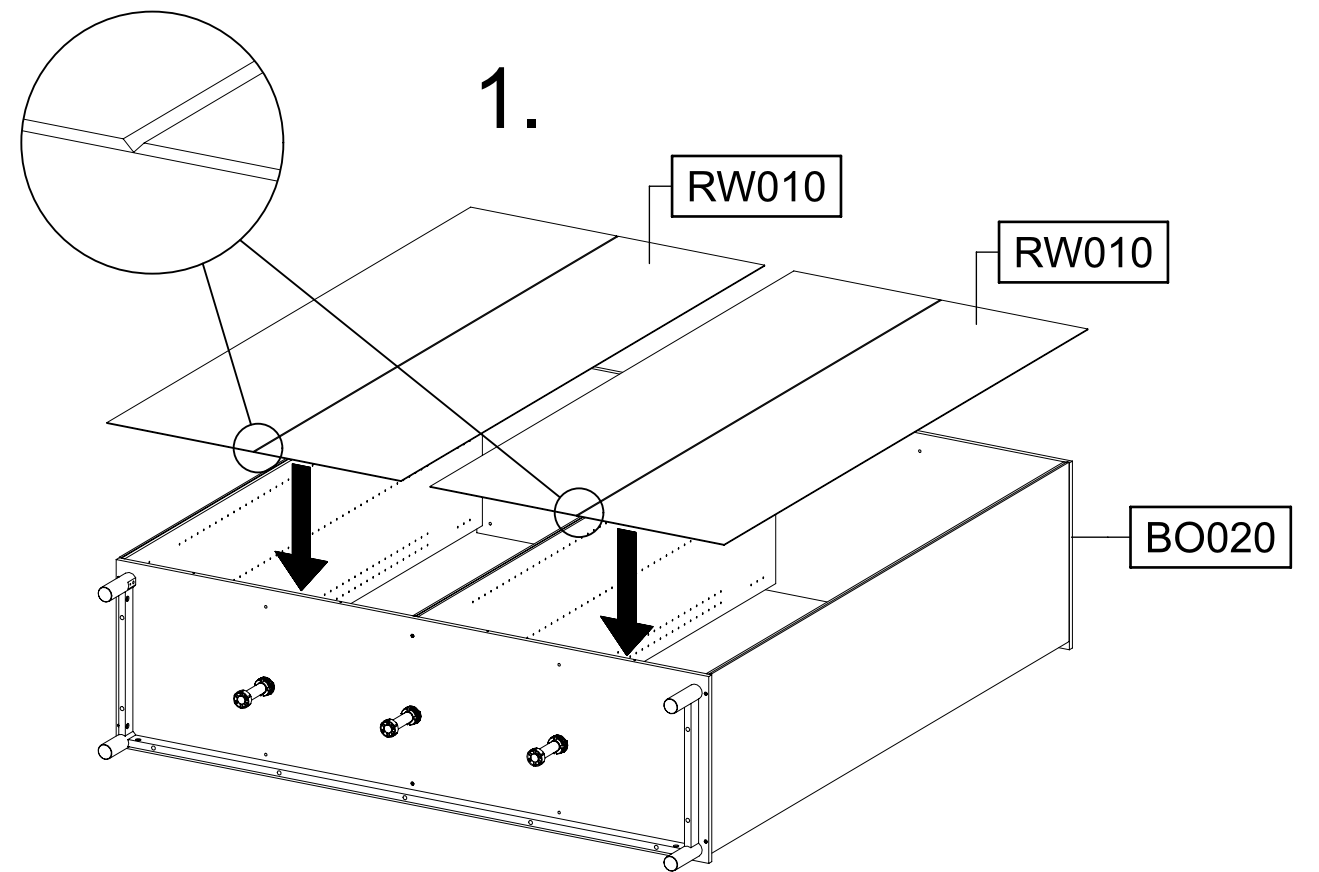
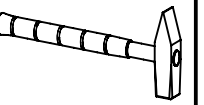


13

12x

768

1,5x25

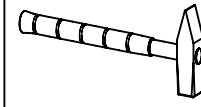
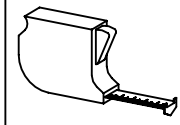


14

12x

768

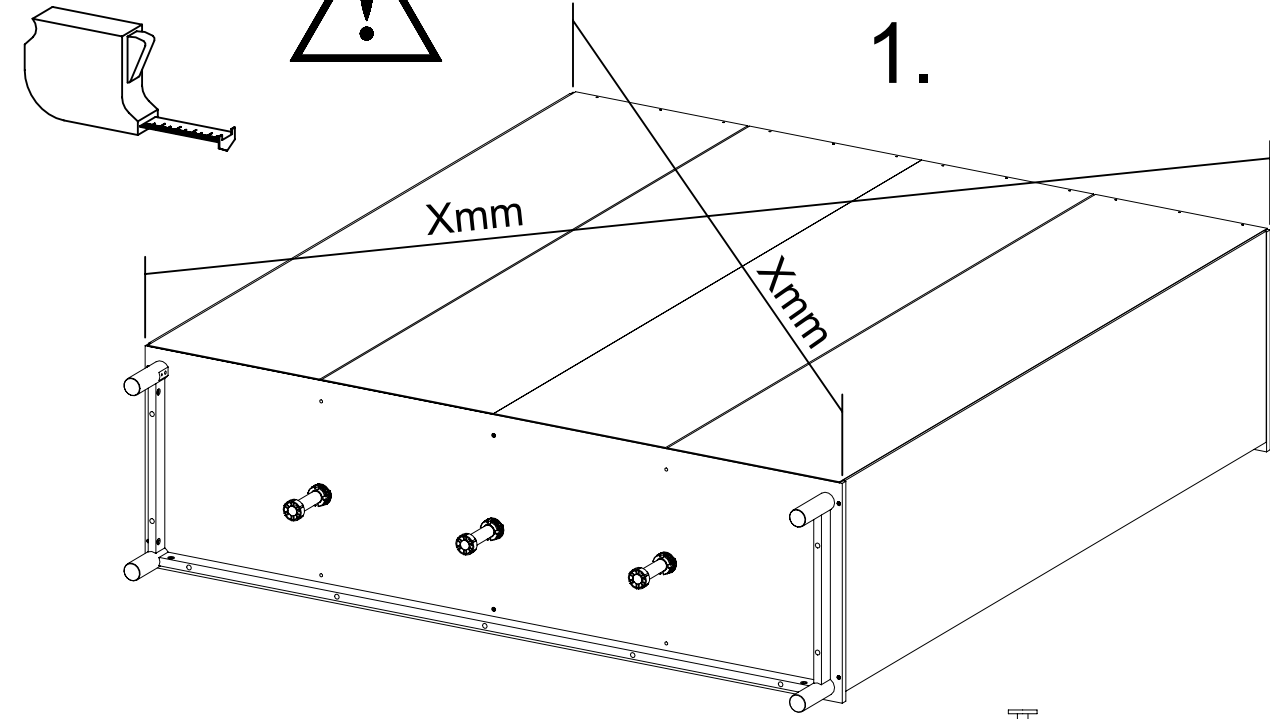
1,5x25



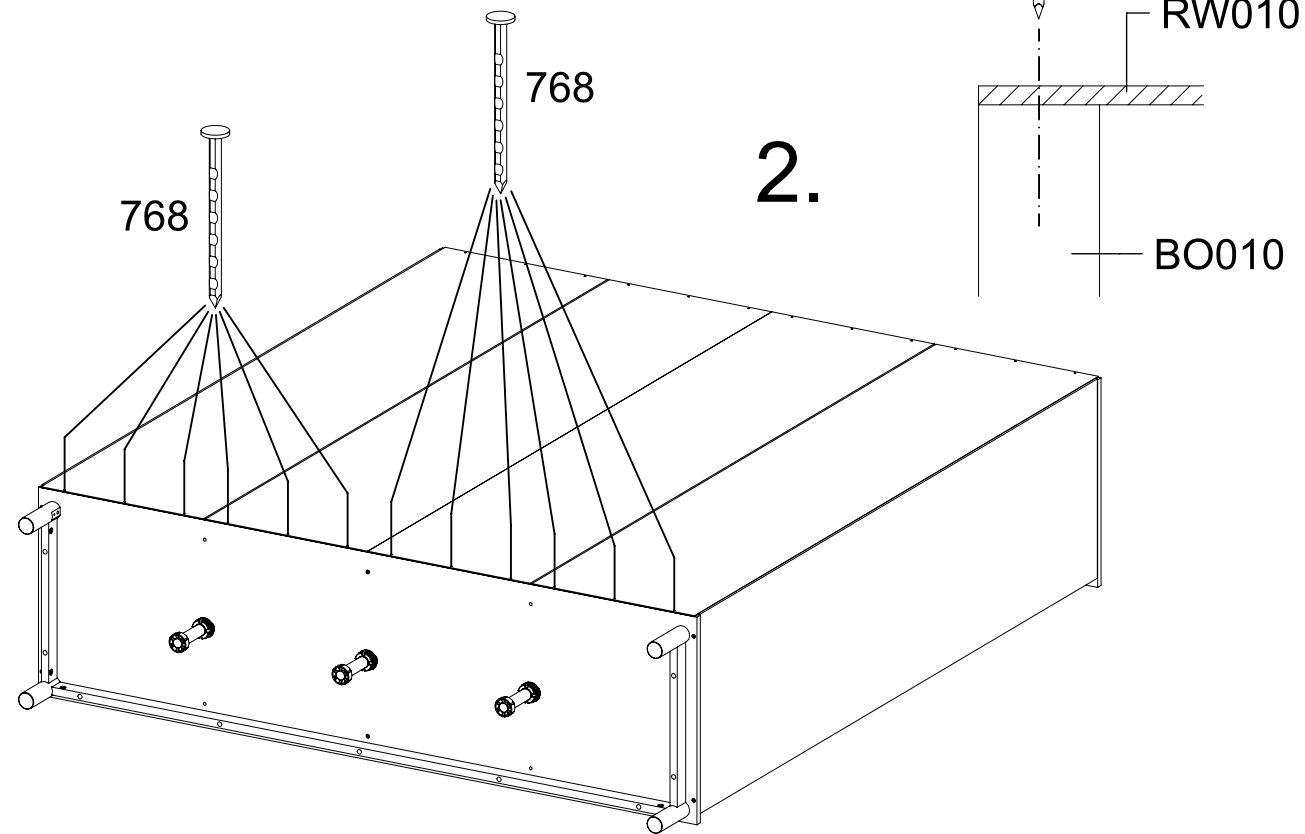
Xmm = Xmm



1.



2.

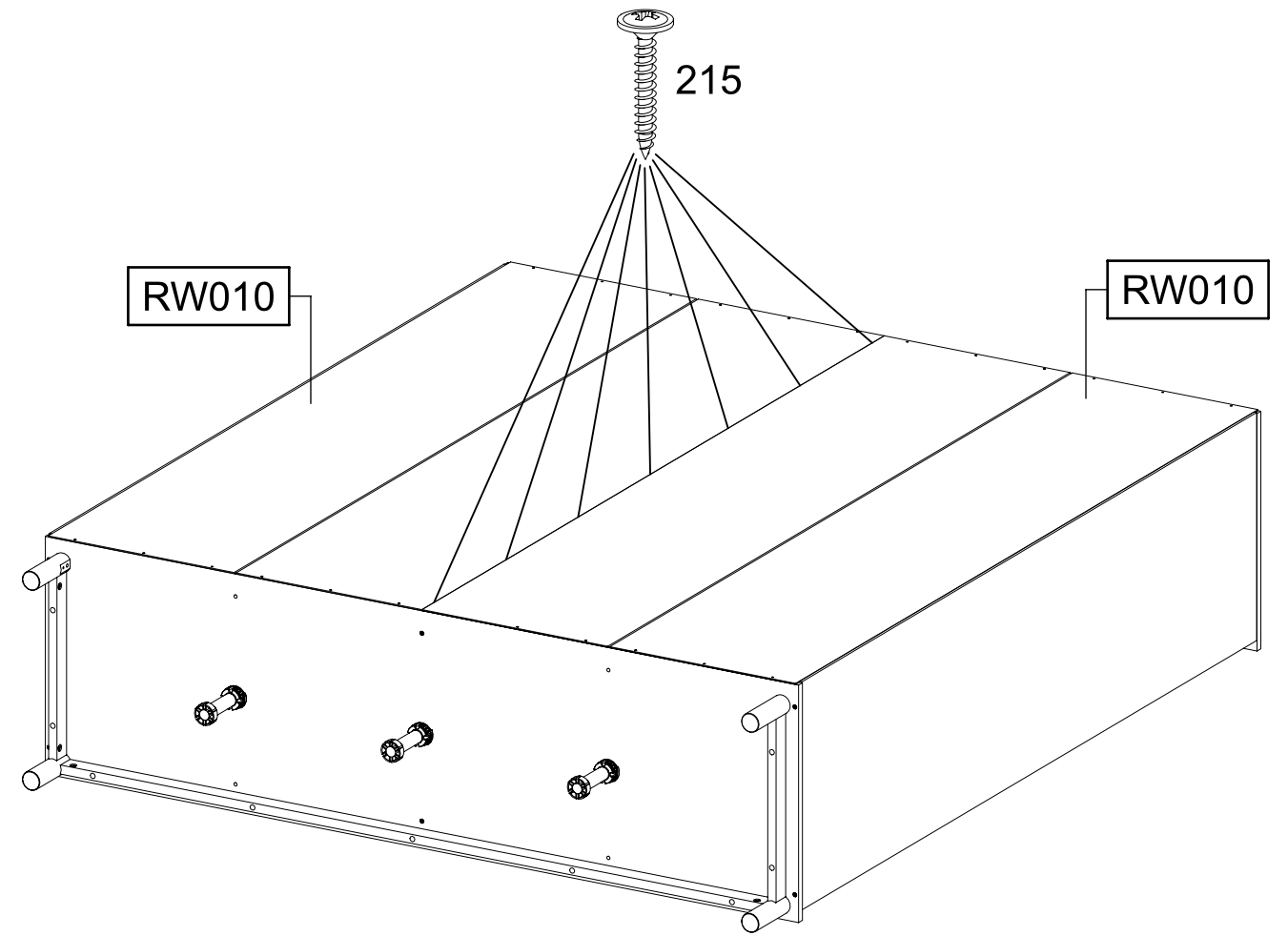
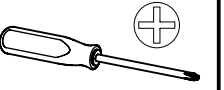


15

7x

215

3x20



RW010

RW010

MS010

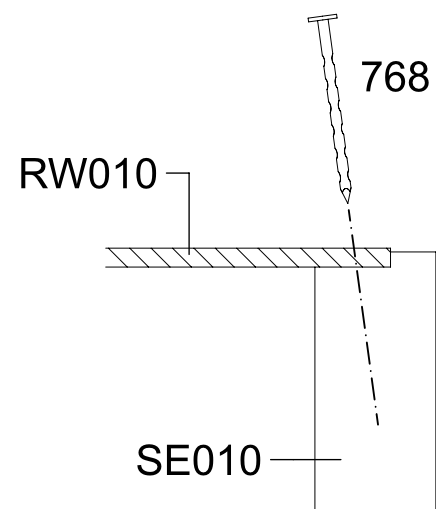
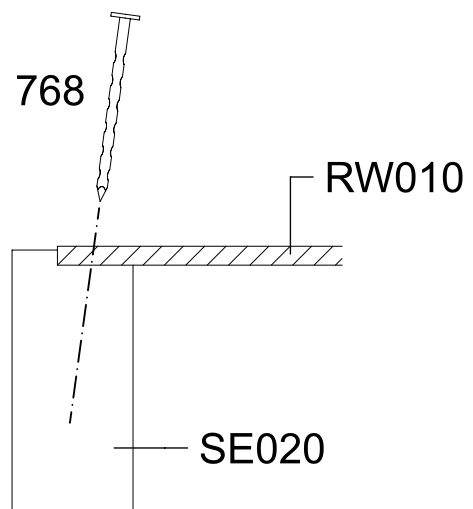
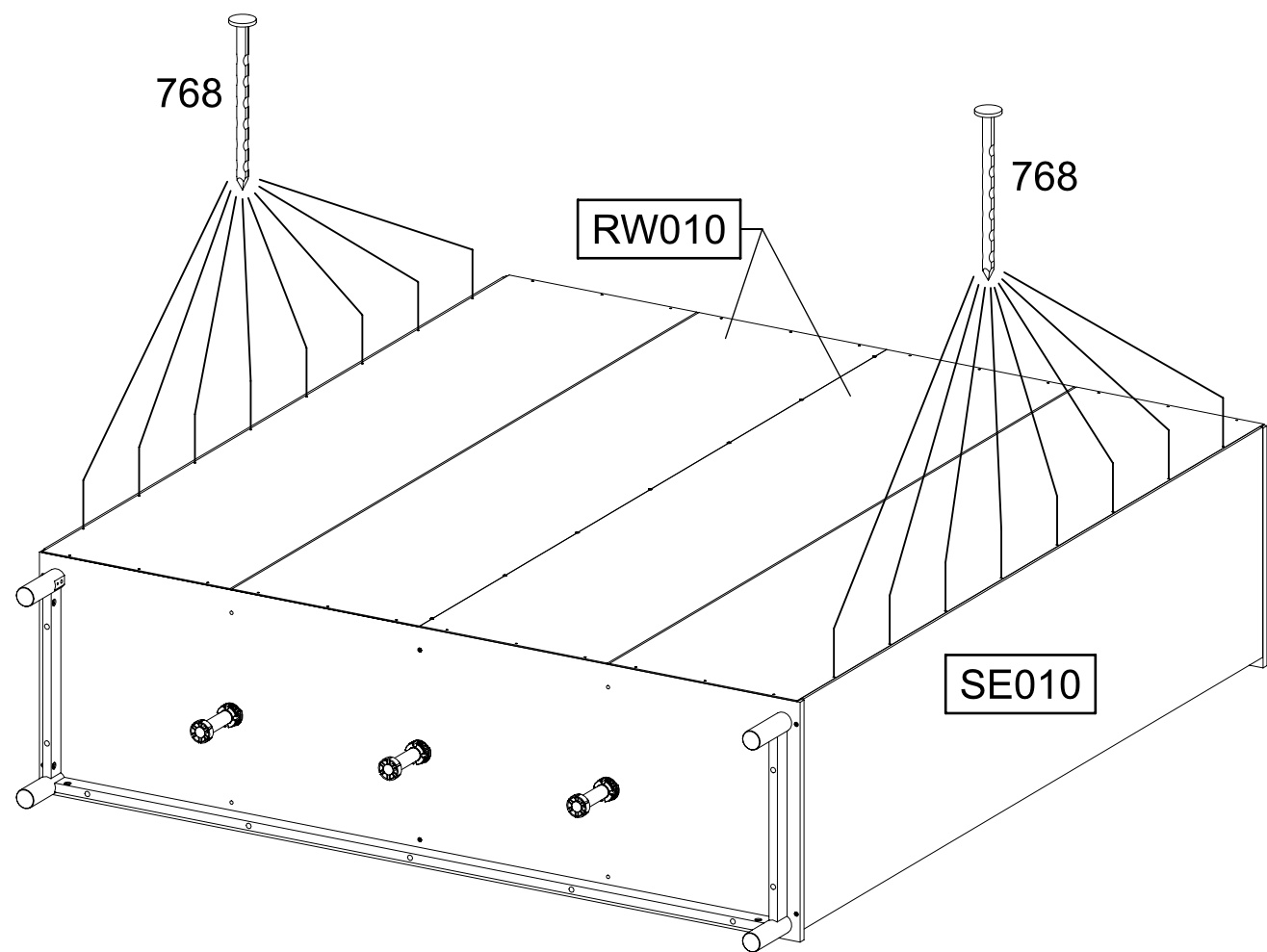
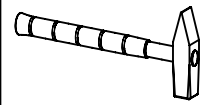
215

16

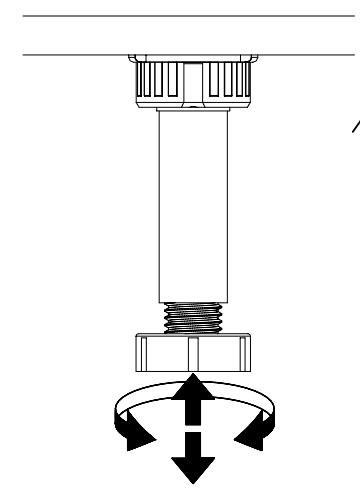
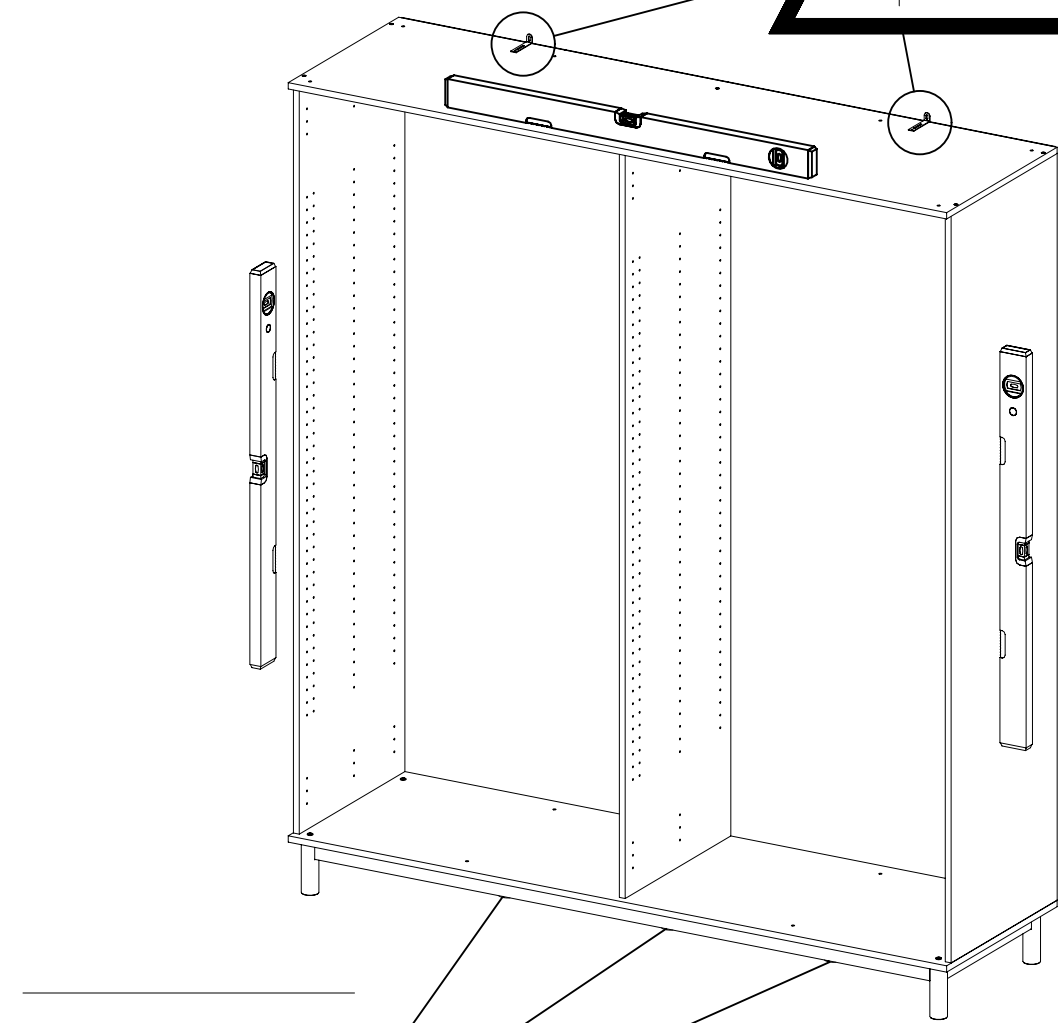
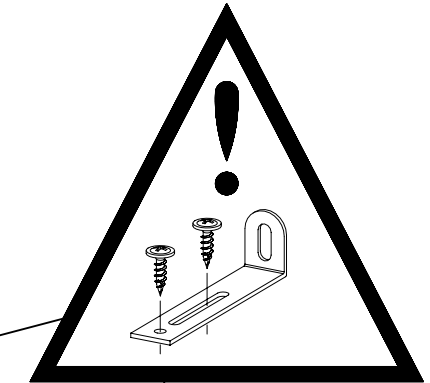
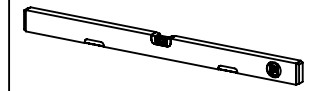
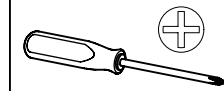
16x

768

1,5x25

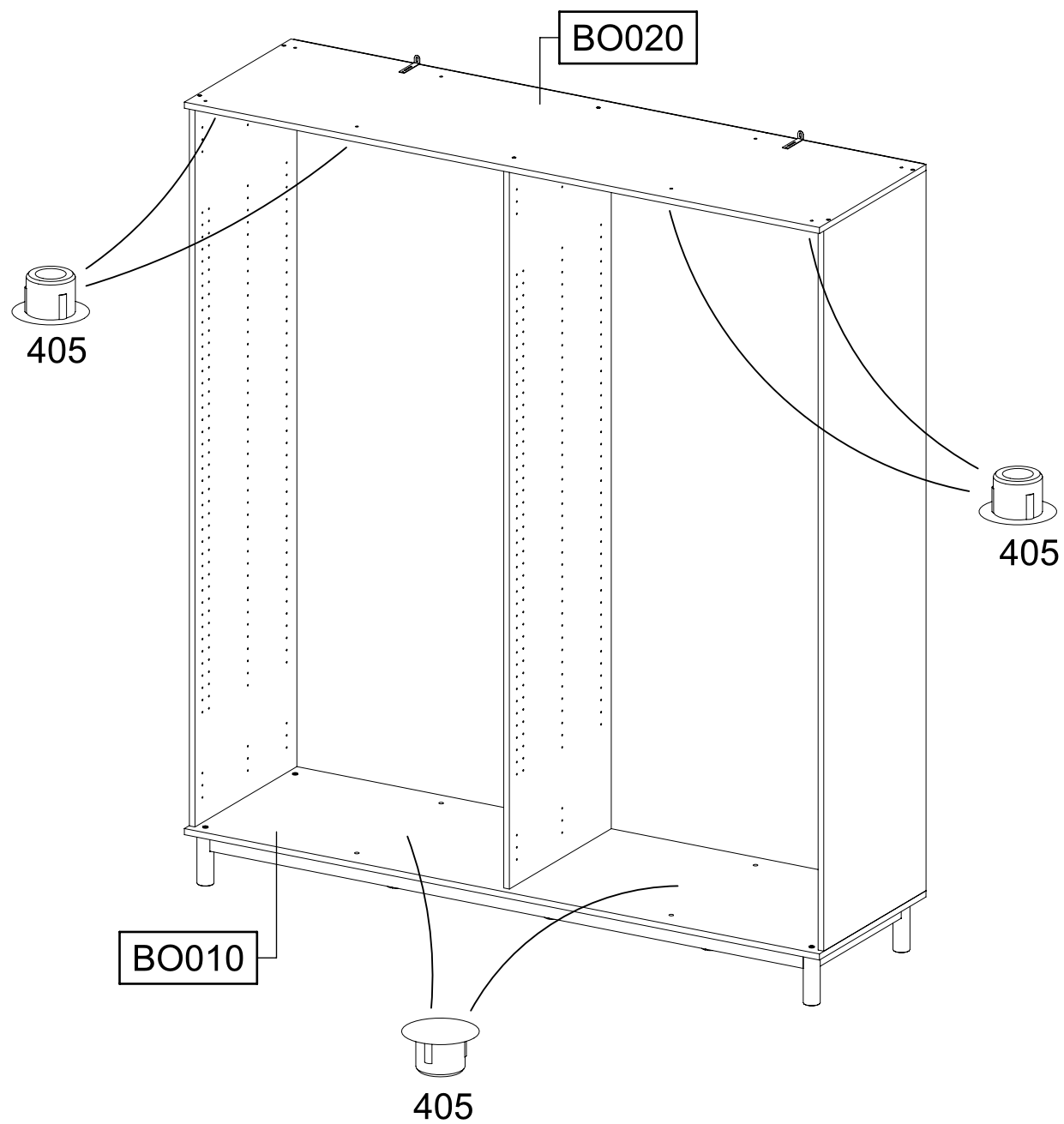


17



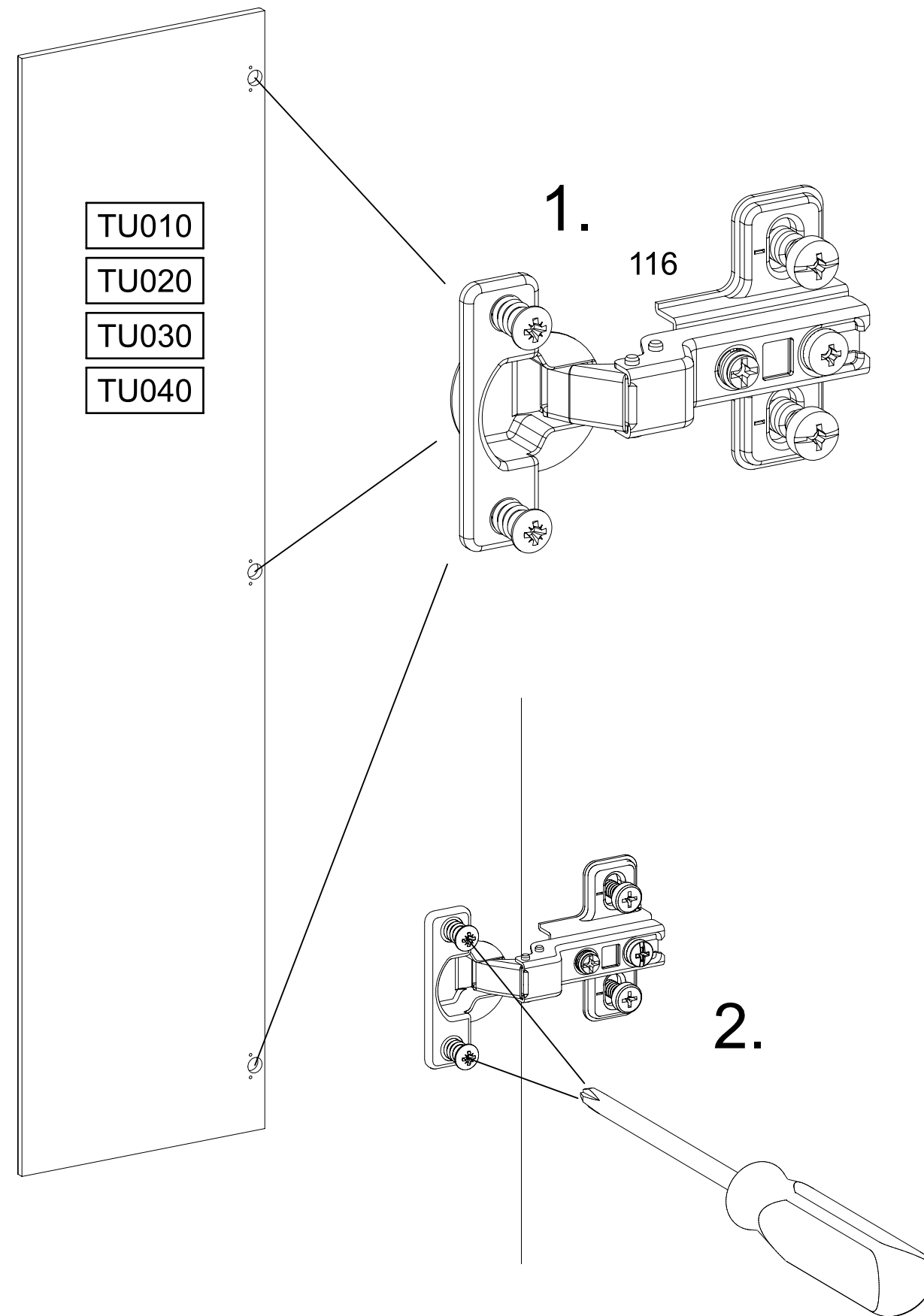
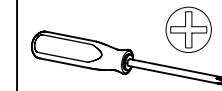
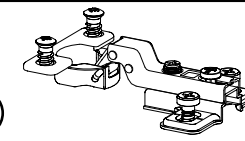
18

12x 405 Ø8

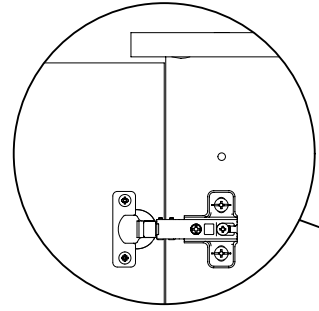
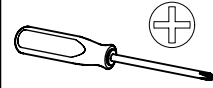


19

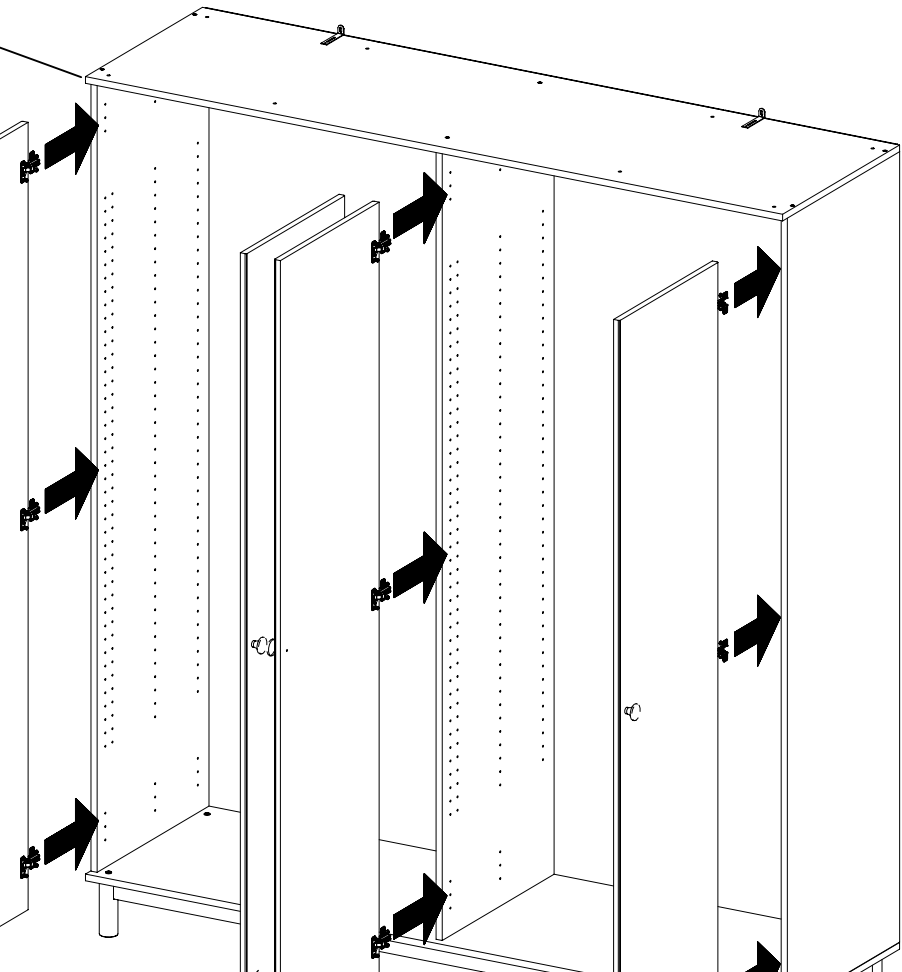
12x 116



20



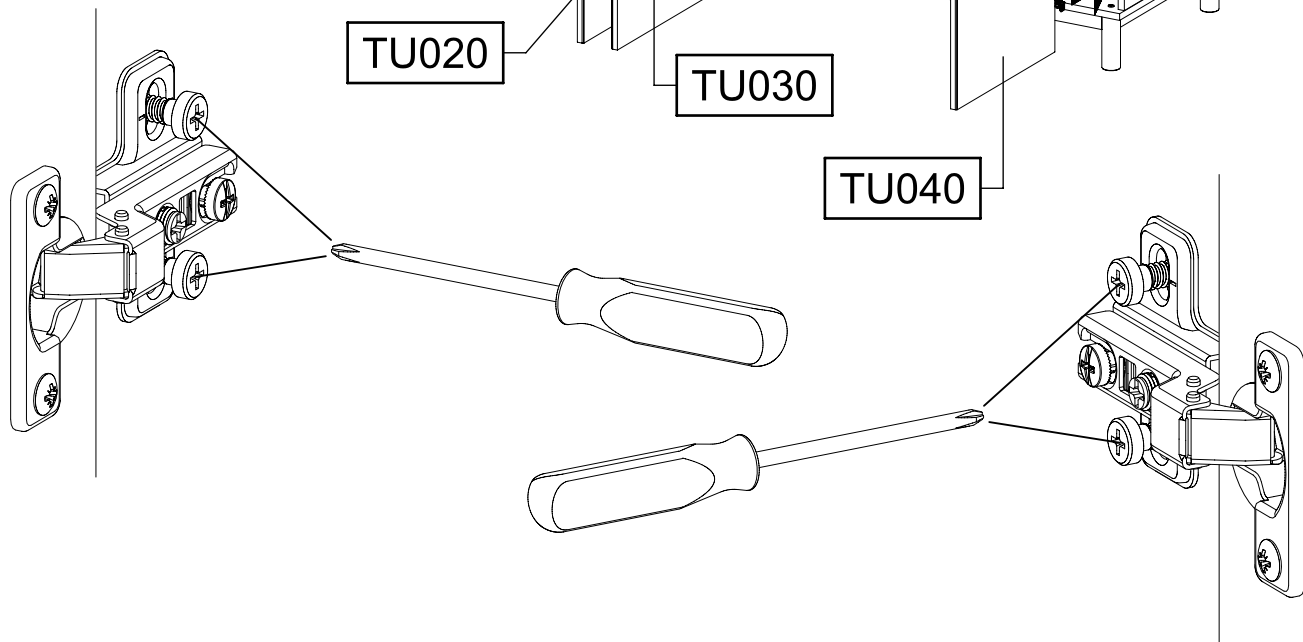
TU010



TU020

TU030

TU040



21

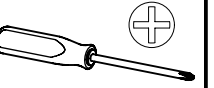
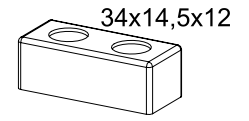
8x

427



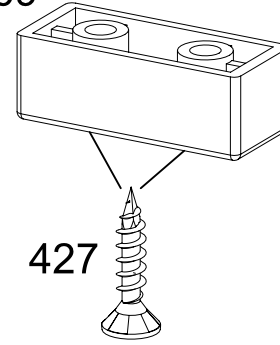
4x

769

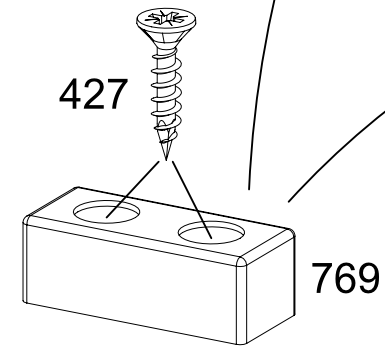


769

427



427



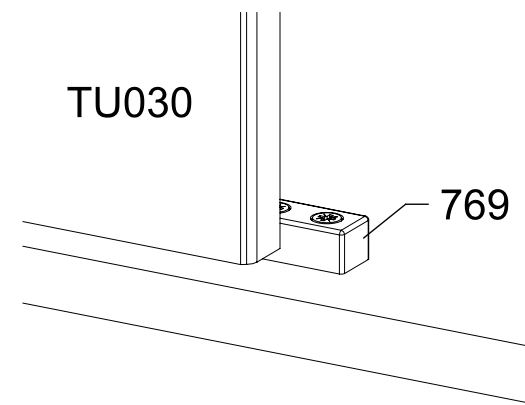
769

TU030

TU040

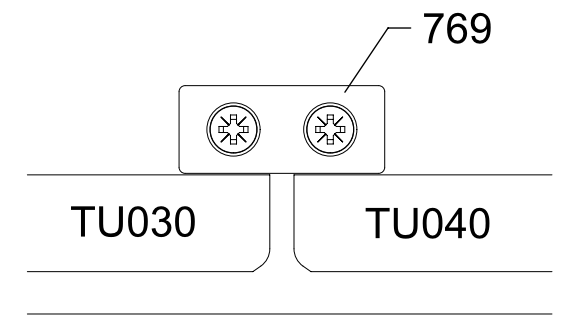
TU030

769



TU030

TU040



22

