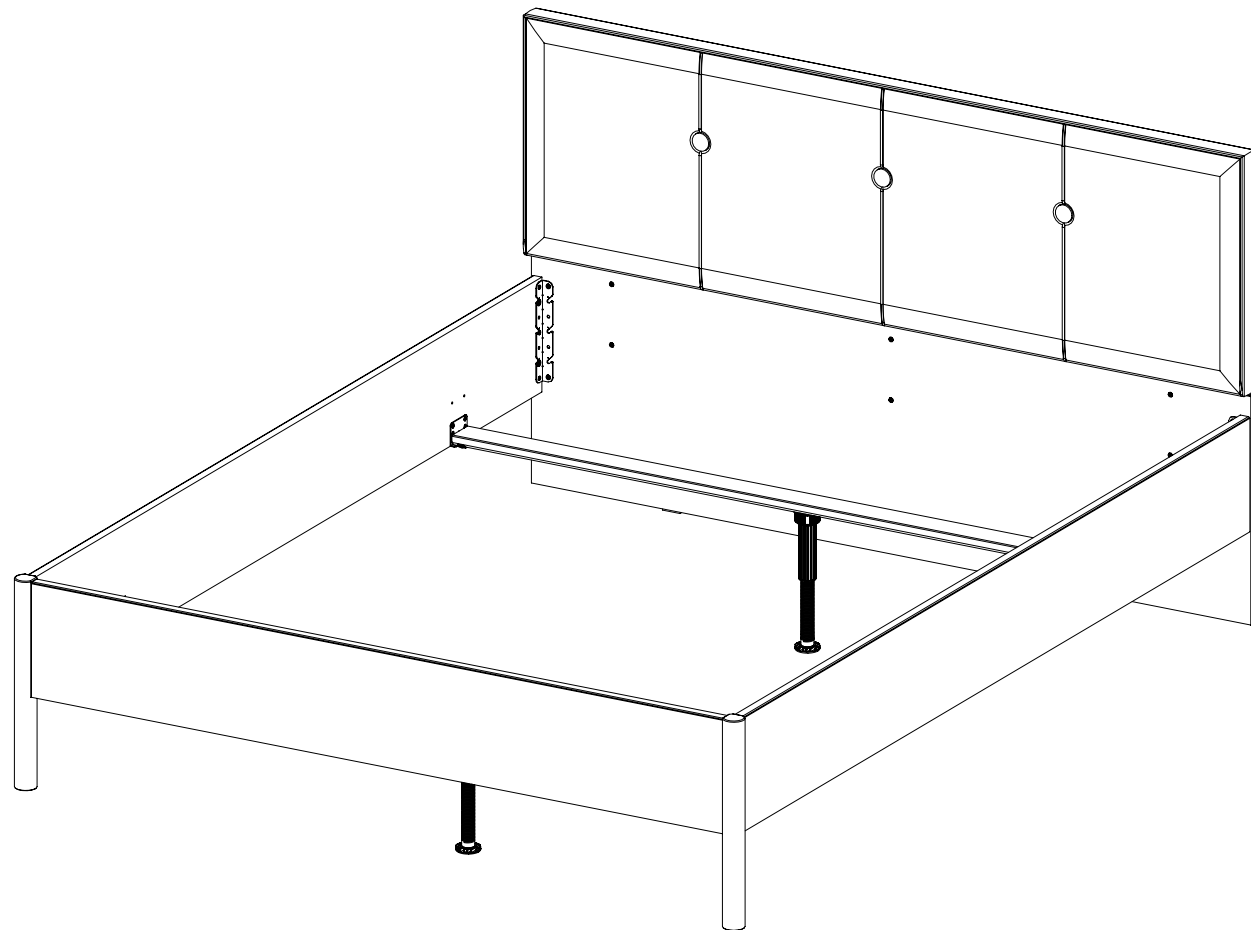
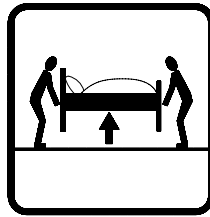
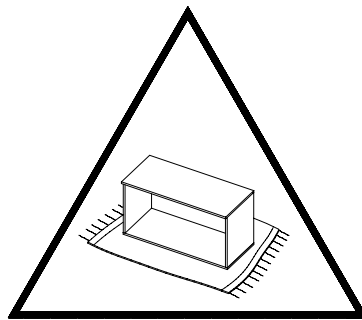
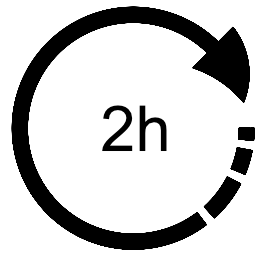
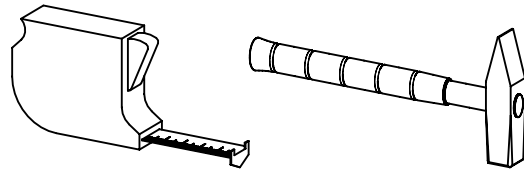
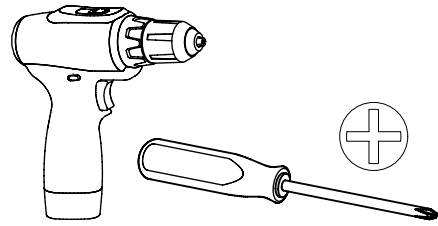


M2737_01

rauch



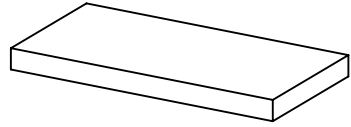
2x 1017		8x 172	
8x 173		8x 16	8x40
8x 200	6,3x14 	22x 202	4,5x16
10x 580	M4 	4x 803	M4x12
2x 456	212x25x25 	4x 698	
2x 1118		2x 1119	
6x 427	4x20 	3x 1121	581x30/15x1.5
3x 114		6x 204	M6x30
		6x 582	M4x28

3.

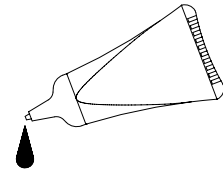
2x

40x20x3

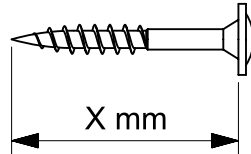
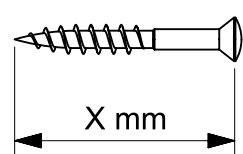
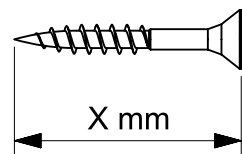
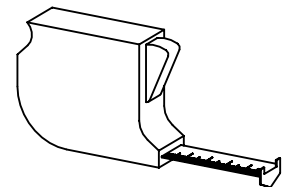
127

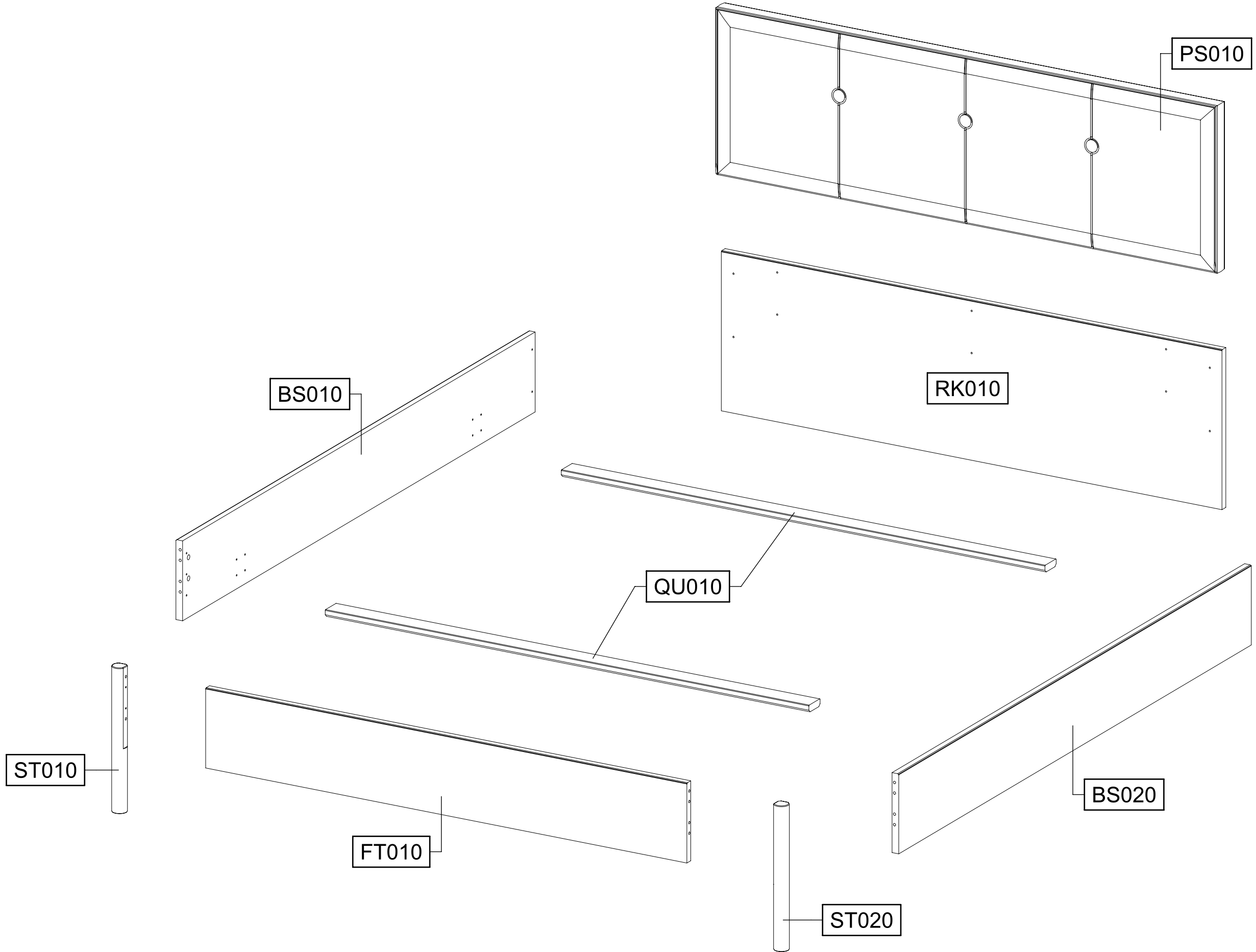


11



4.





1

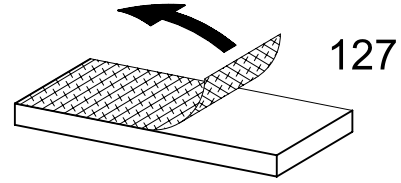
2x

127

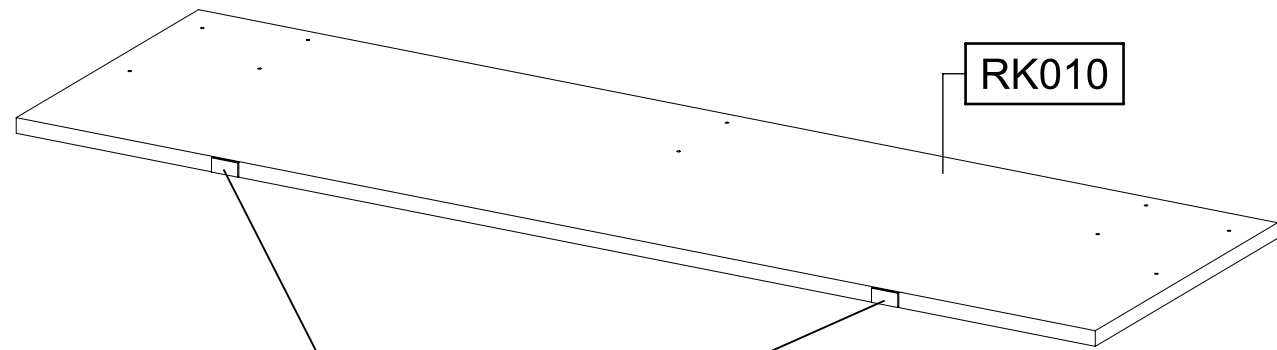
40x20x3



1.

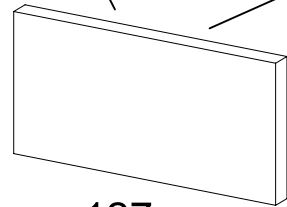


127



RK010

2.



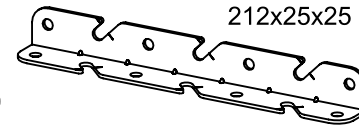
127

2

2x

456

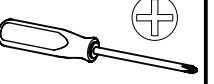
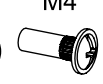
212x25x25



4x

580

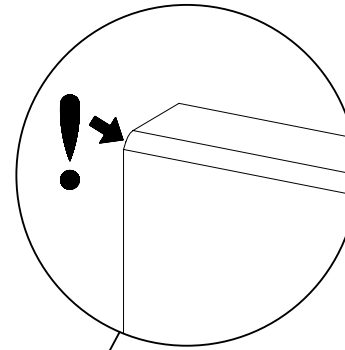
M4



4x

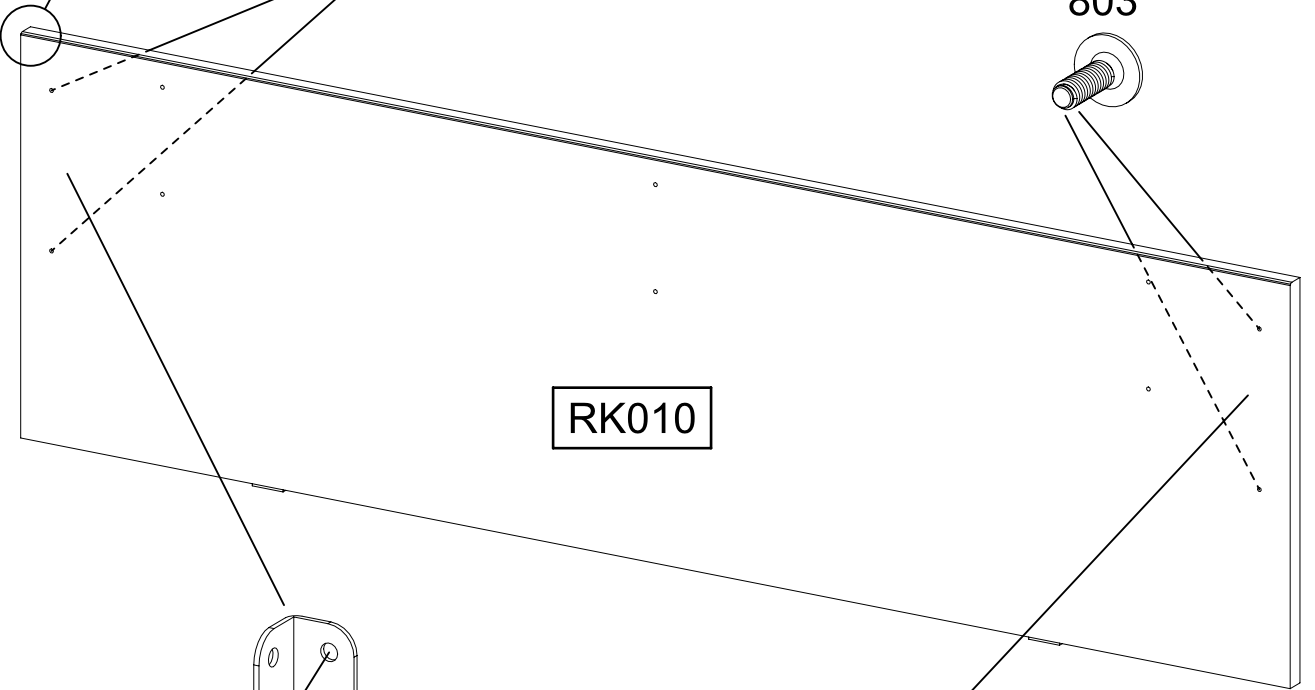
803

M4x12

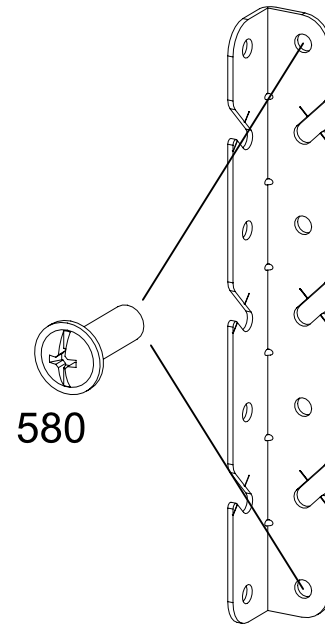


803

803

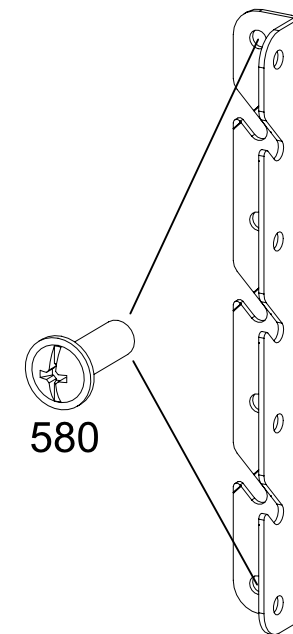


RK010



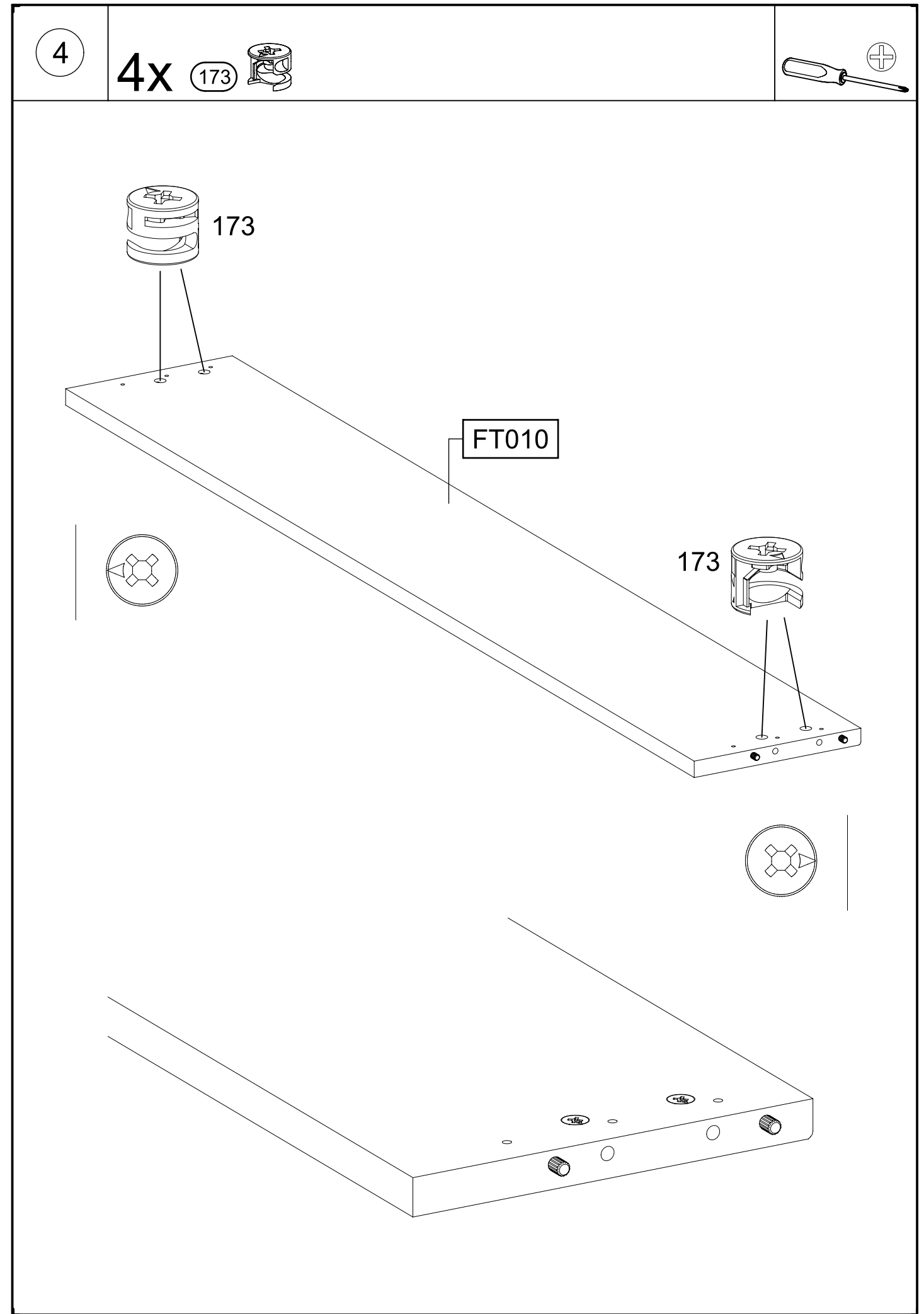
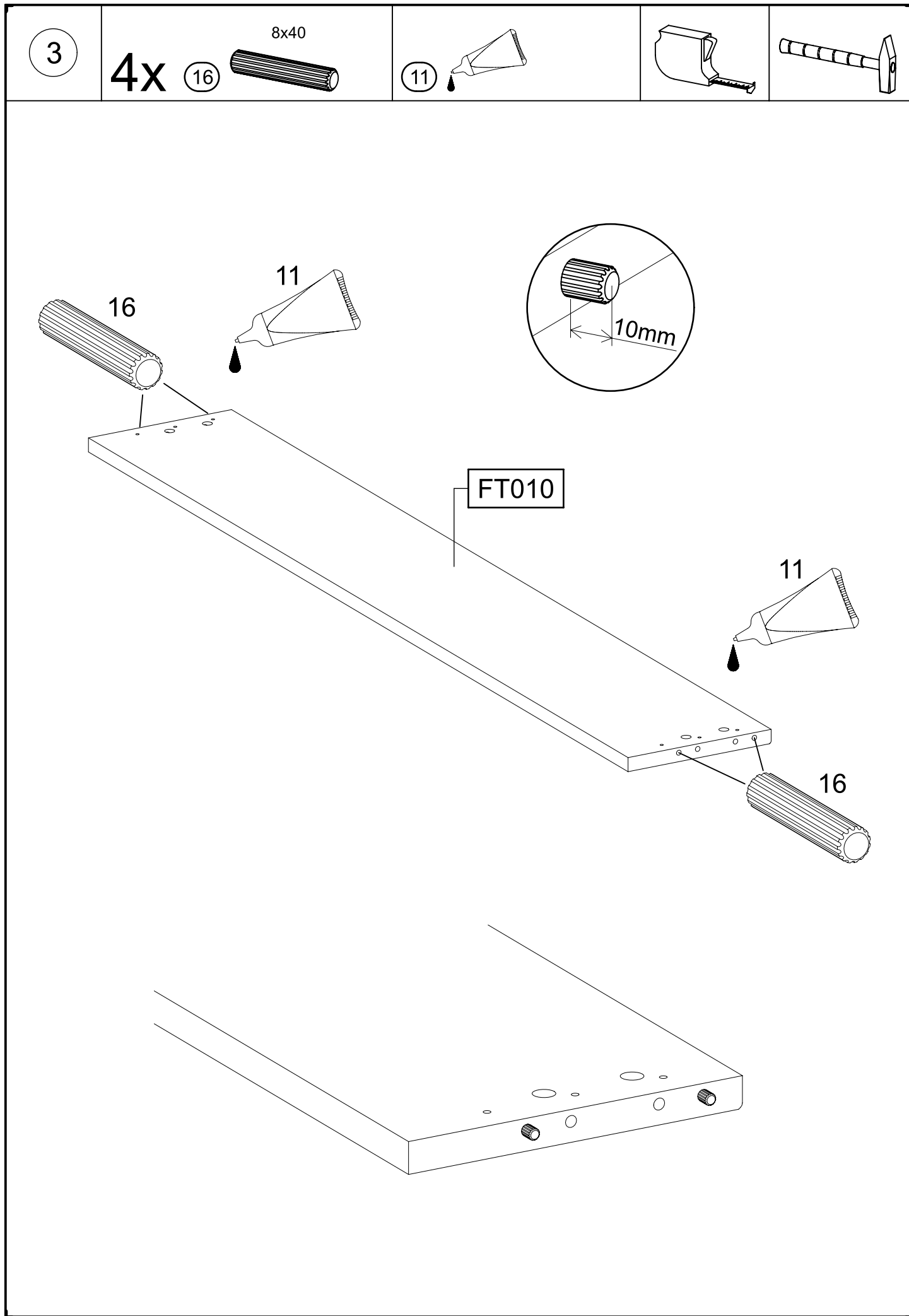
456

580



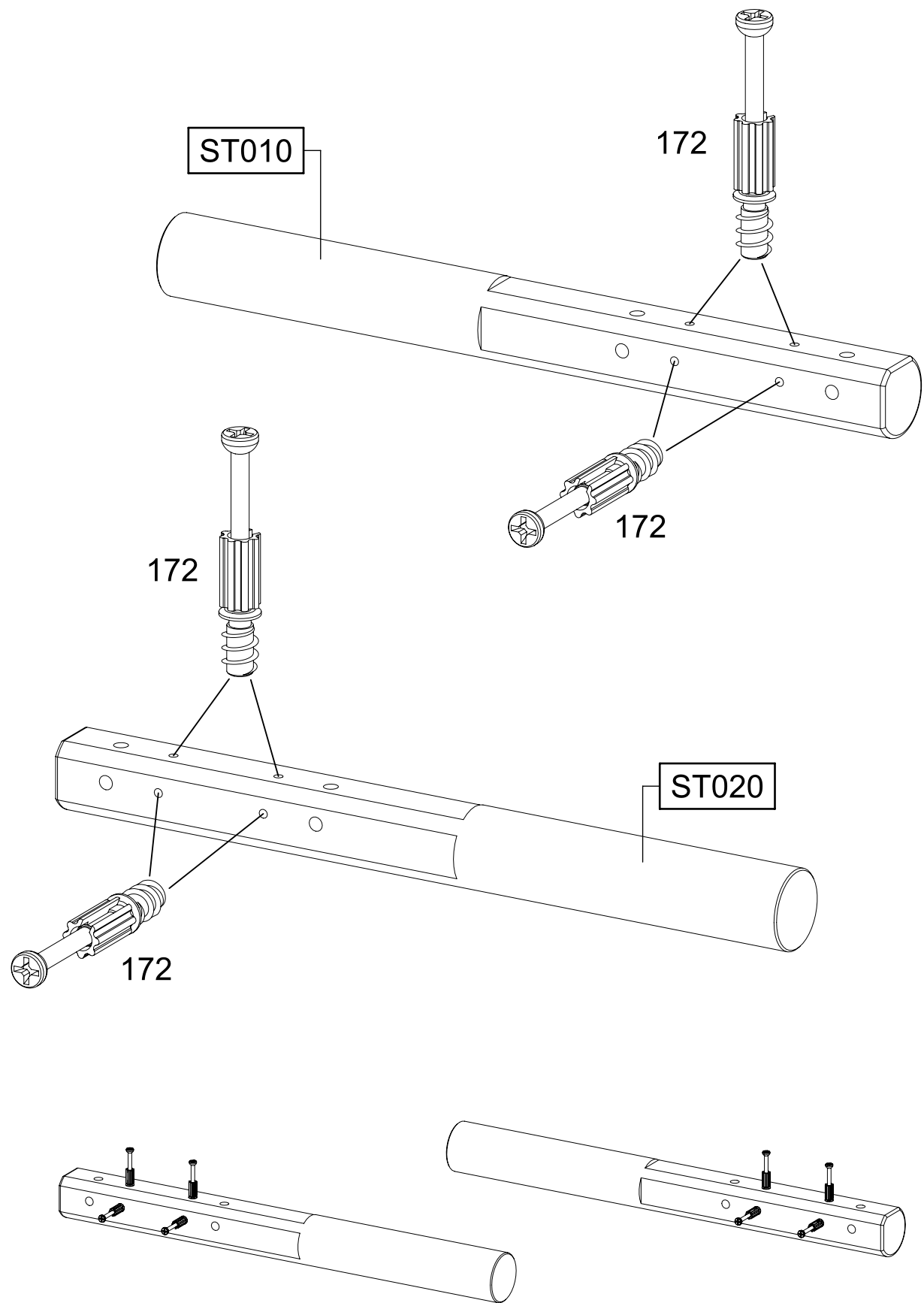
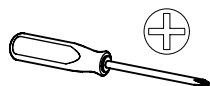
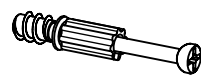
456

580



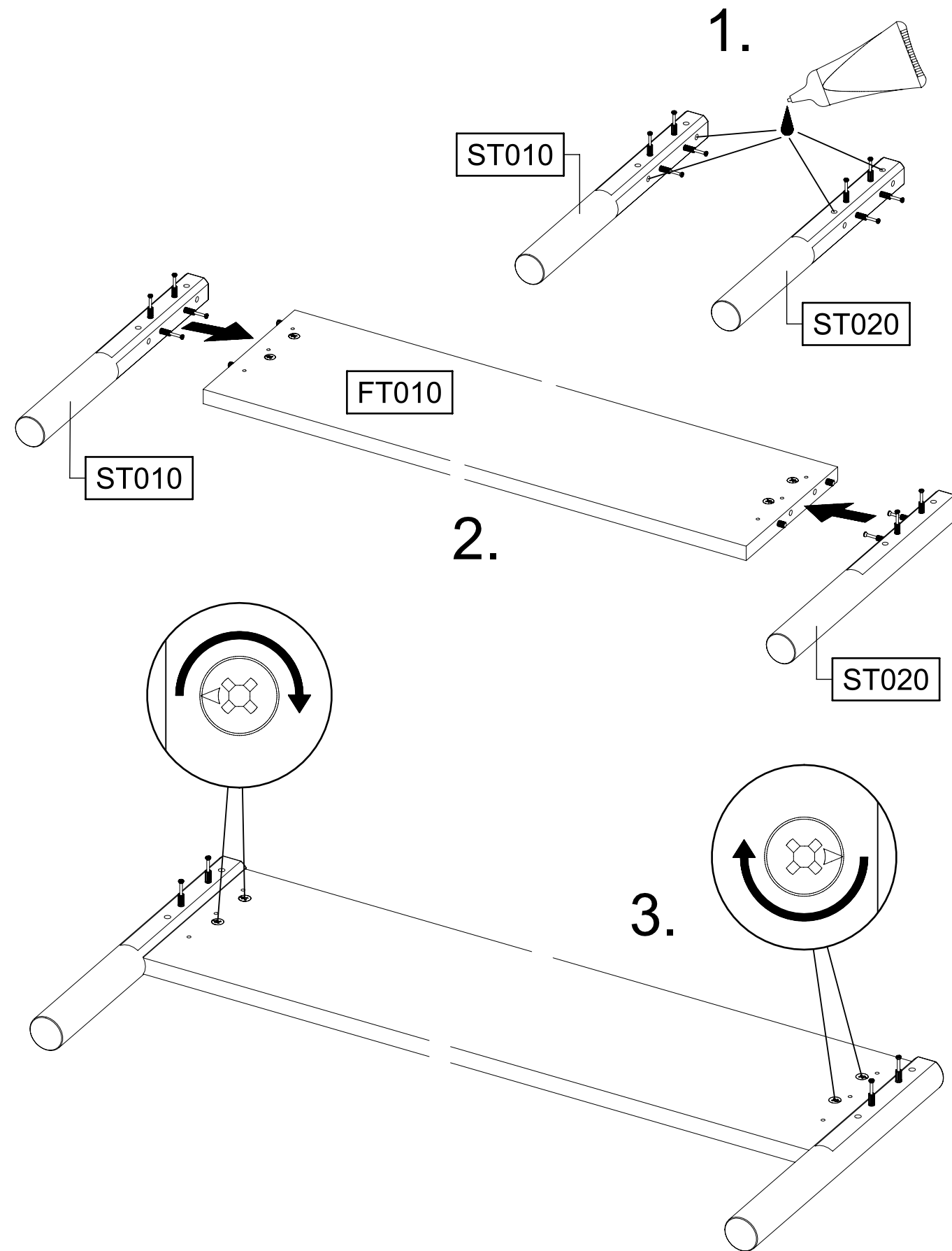
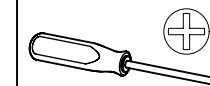
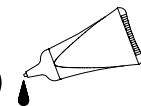
5

8x 172



6

11

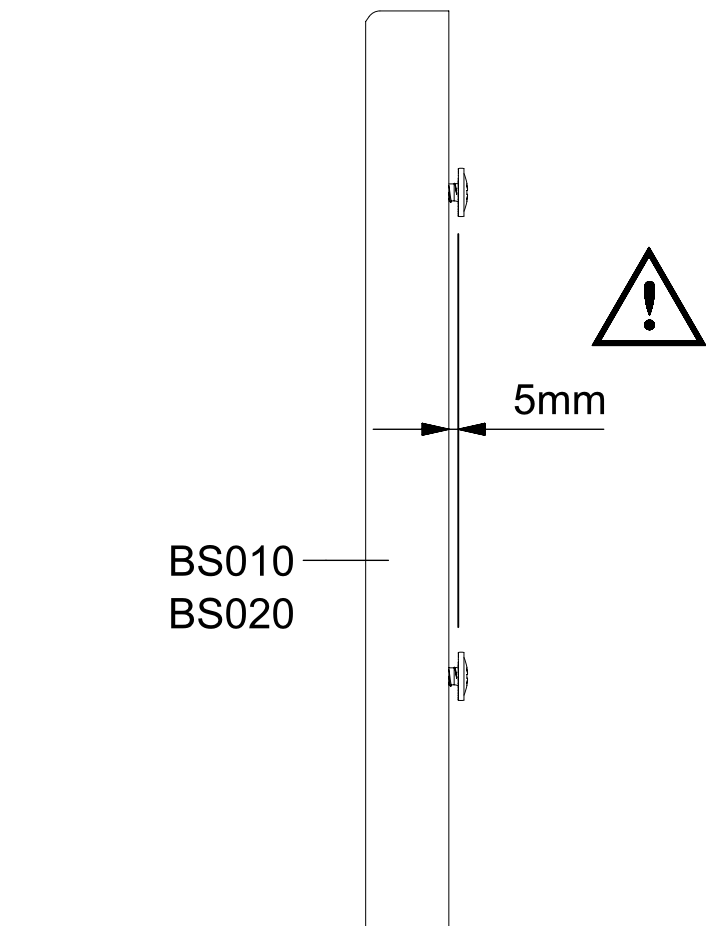
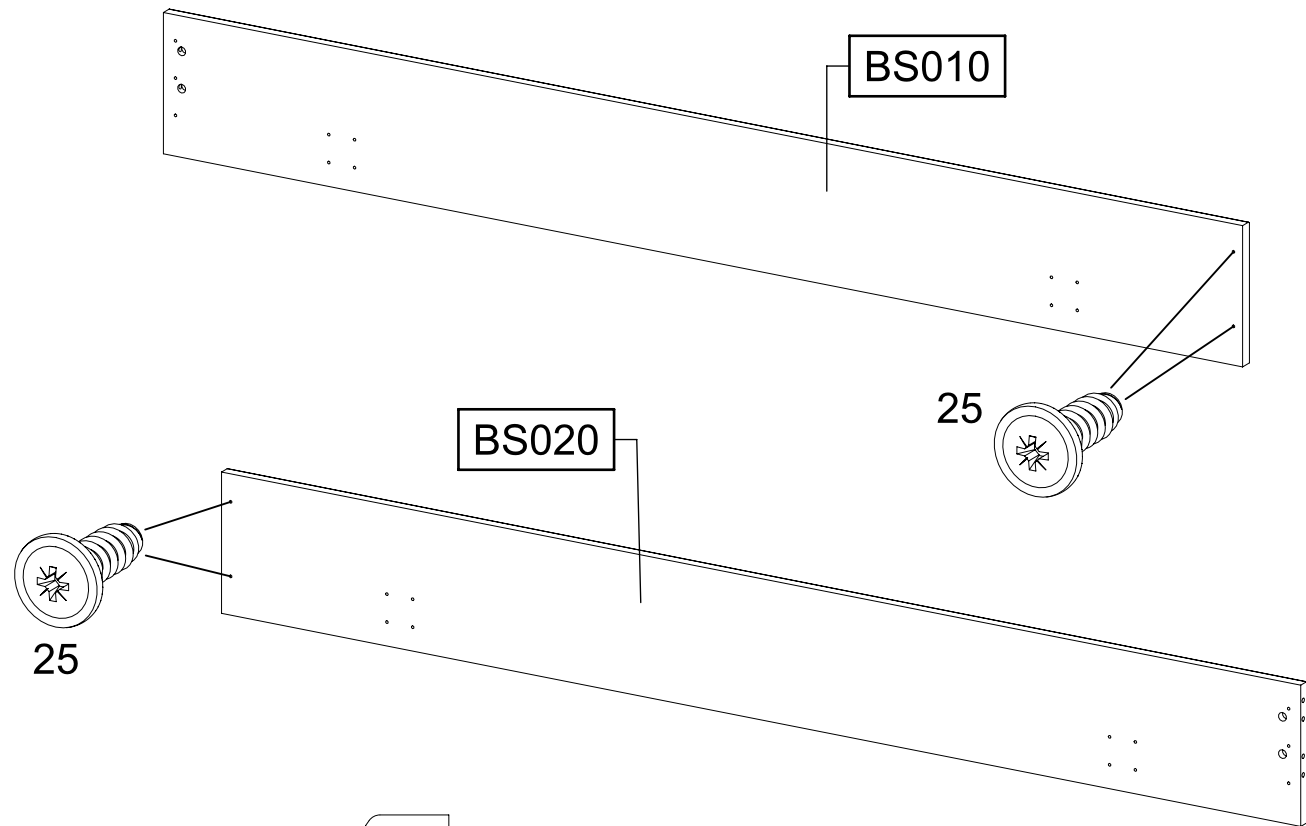
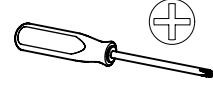
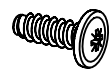


7

4x

25

6,3x18



5mm

BS010
BS020

8

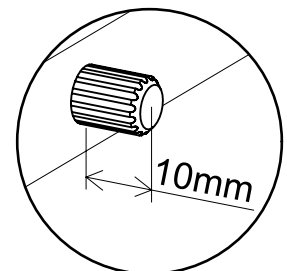
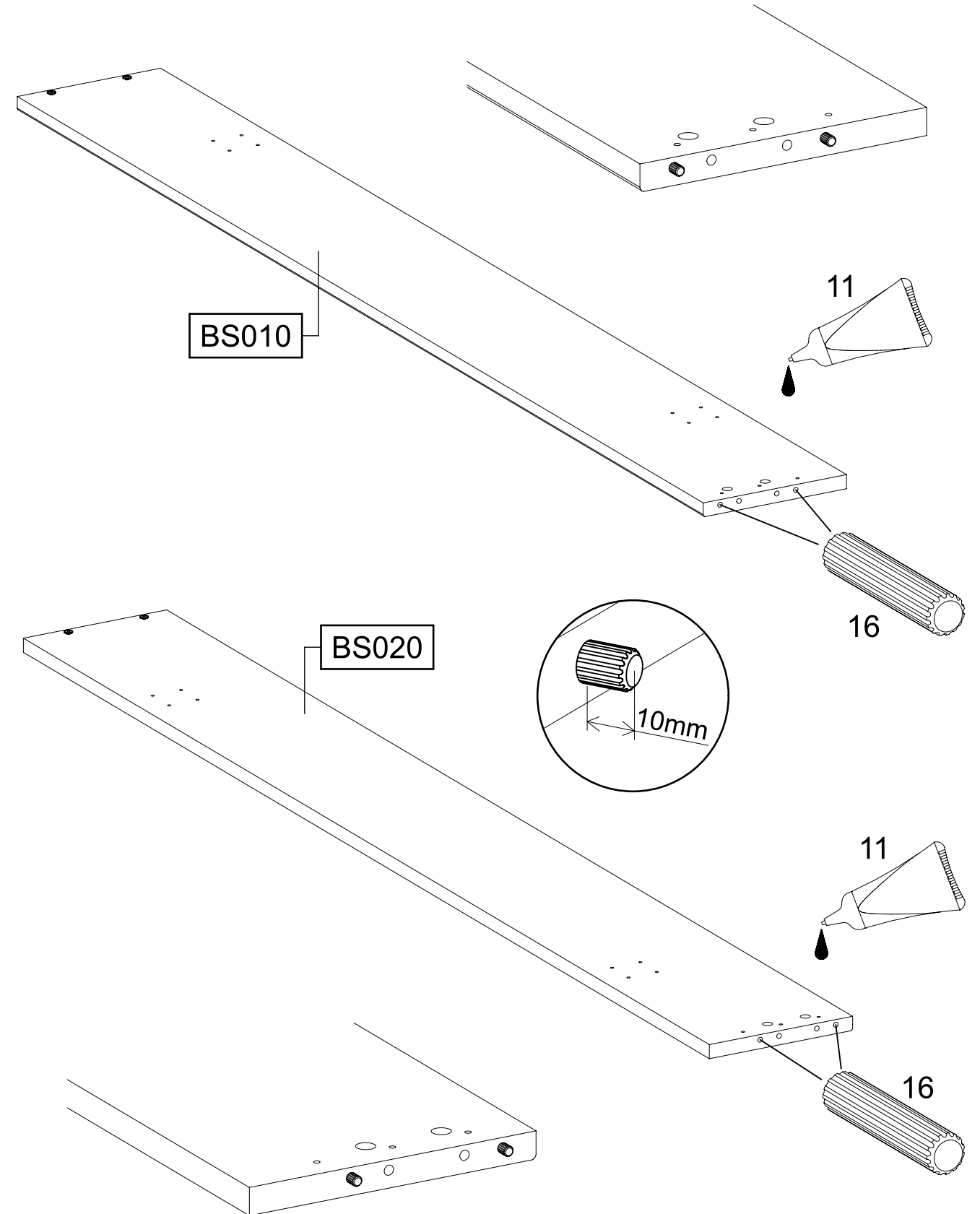
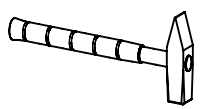
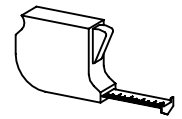
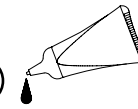
4x

16

8x40



11

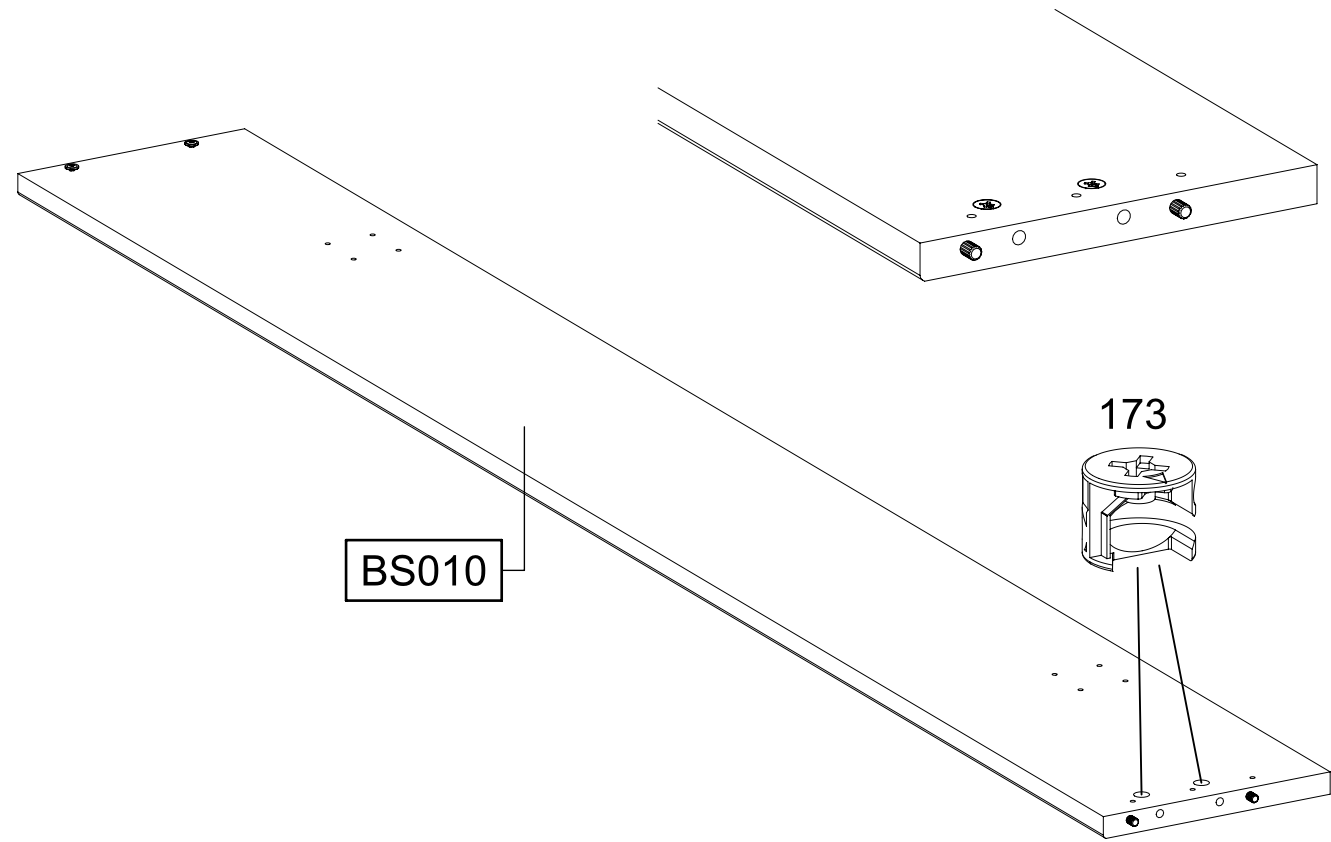
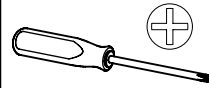


10mm

9

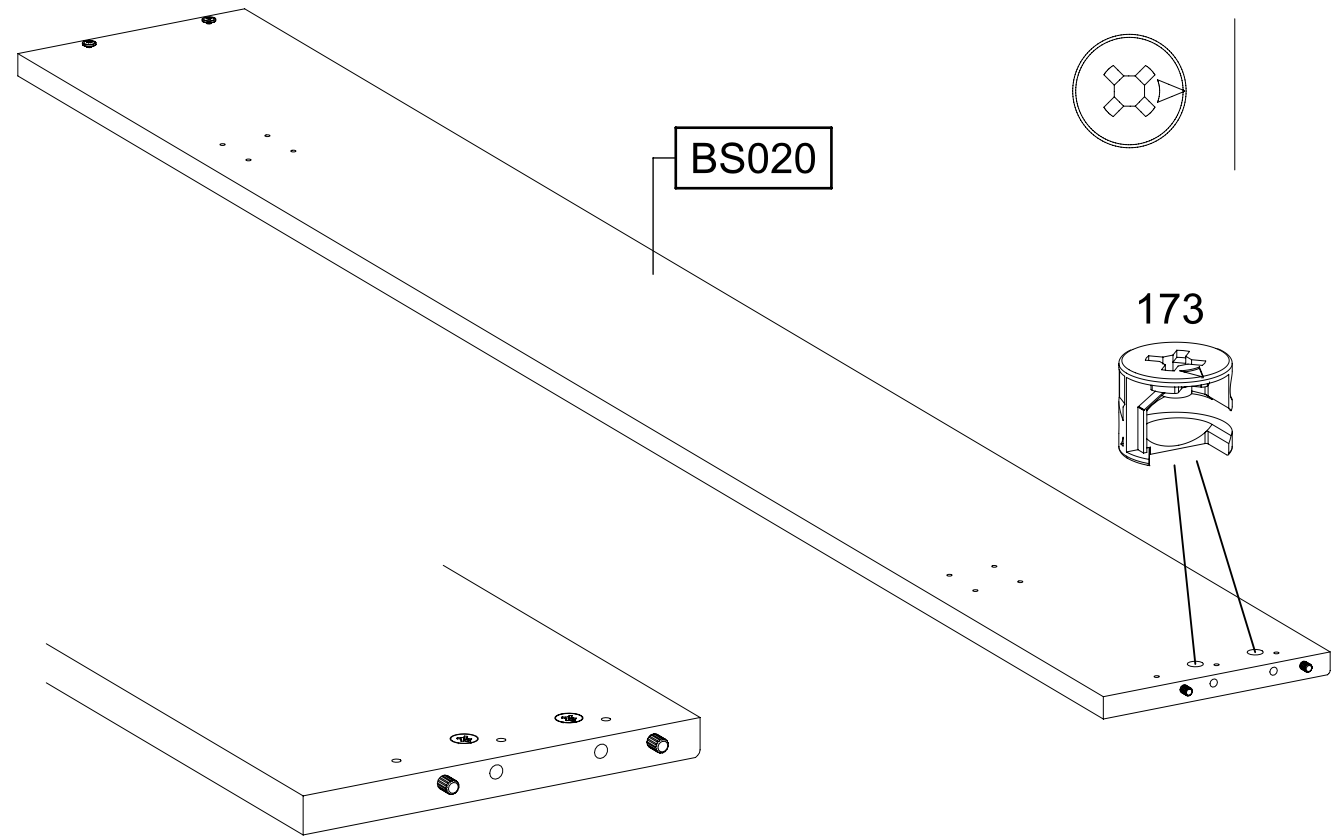
4x

173



BS010

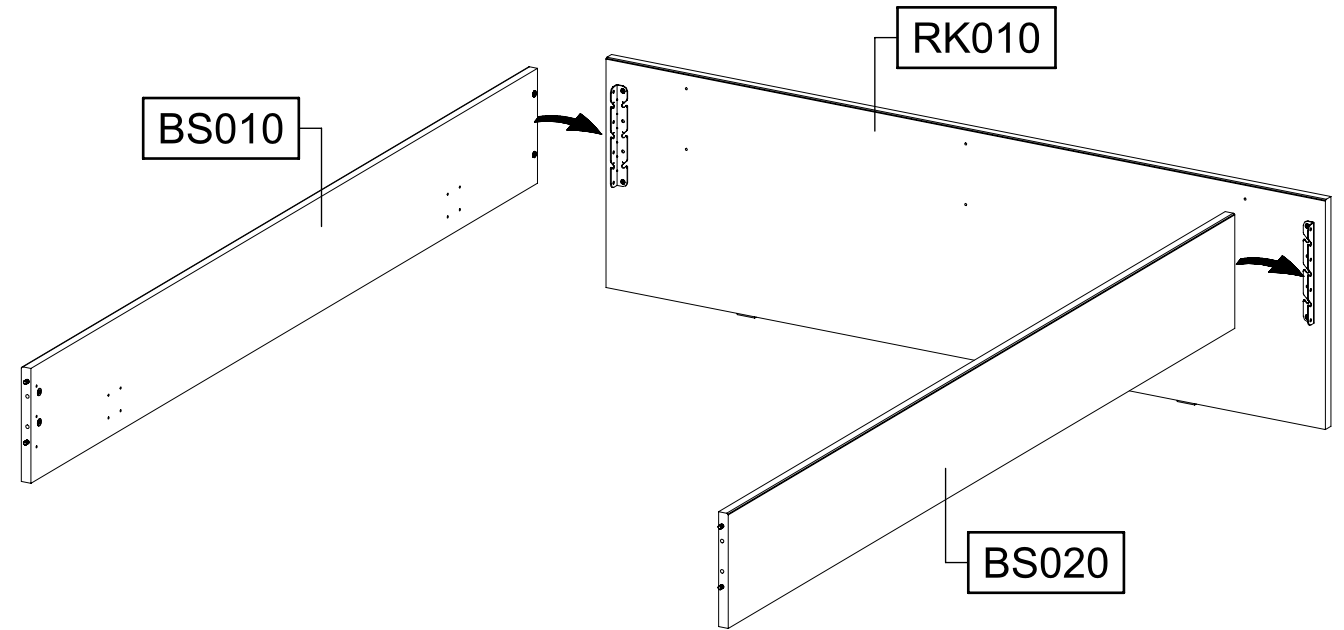
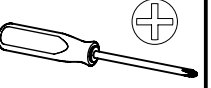
173



BS020

173

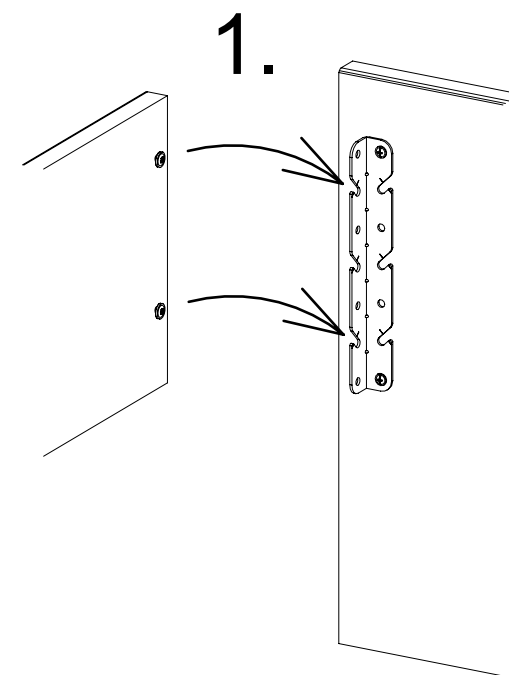
10



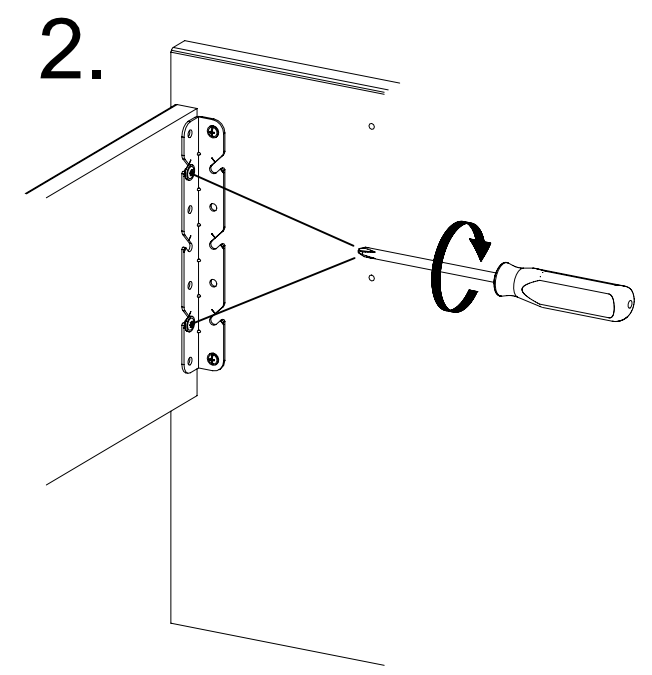
BS010

RK010

BS020

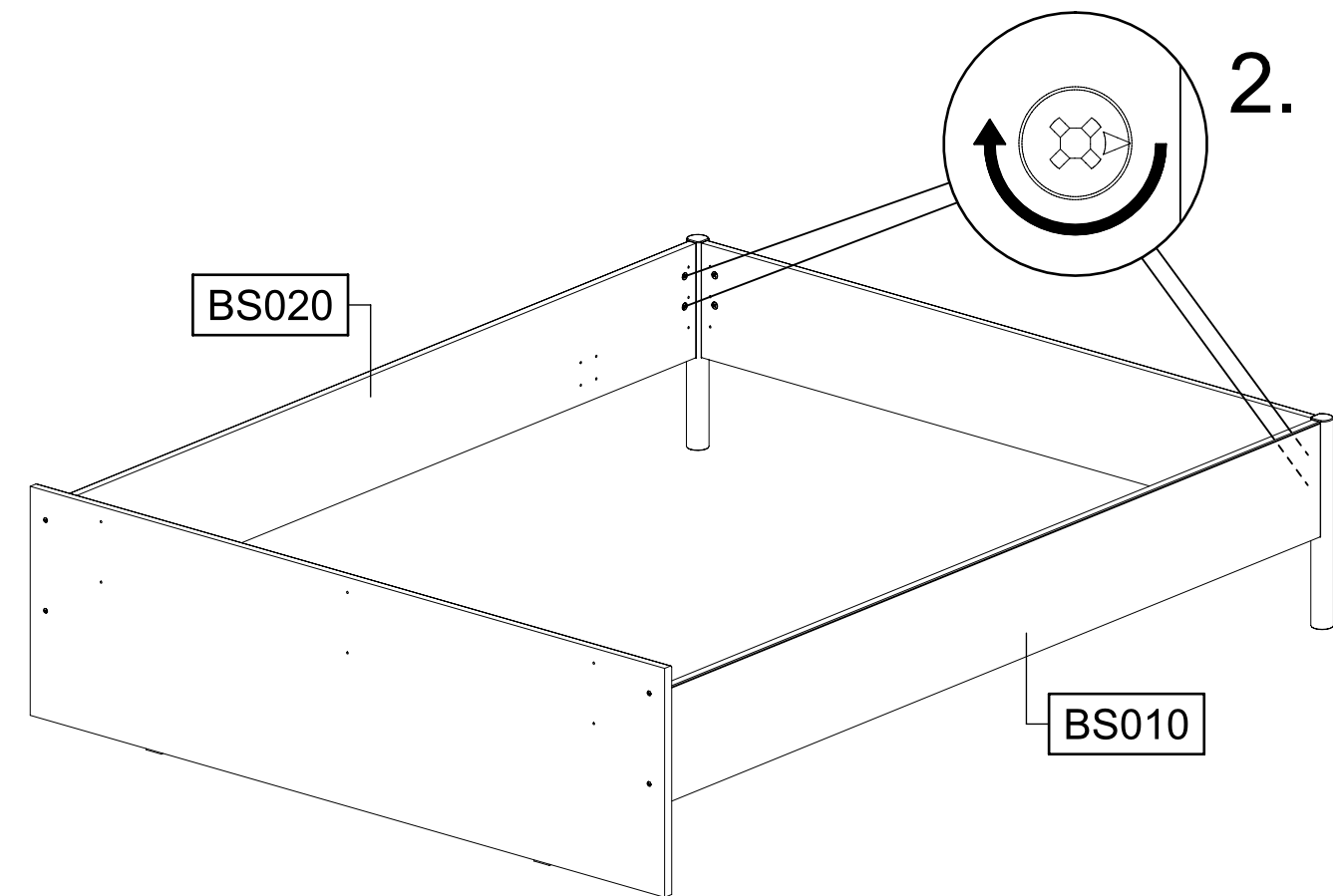
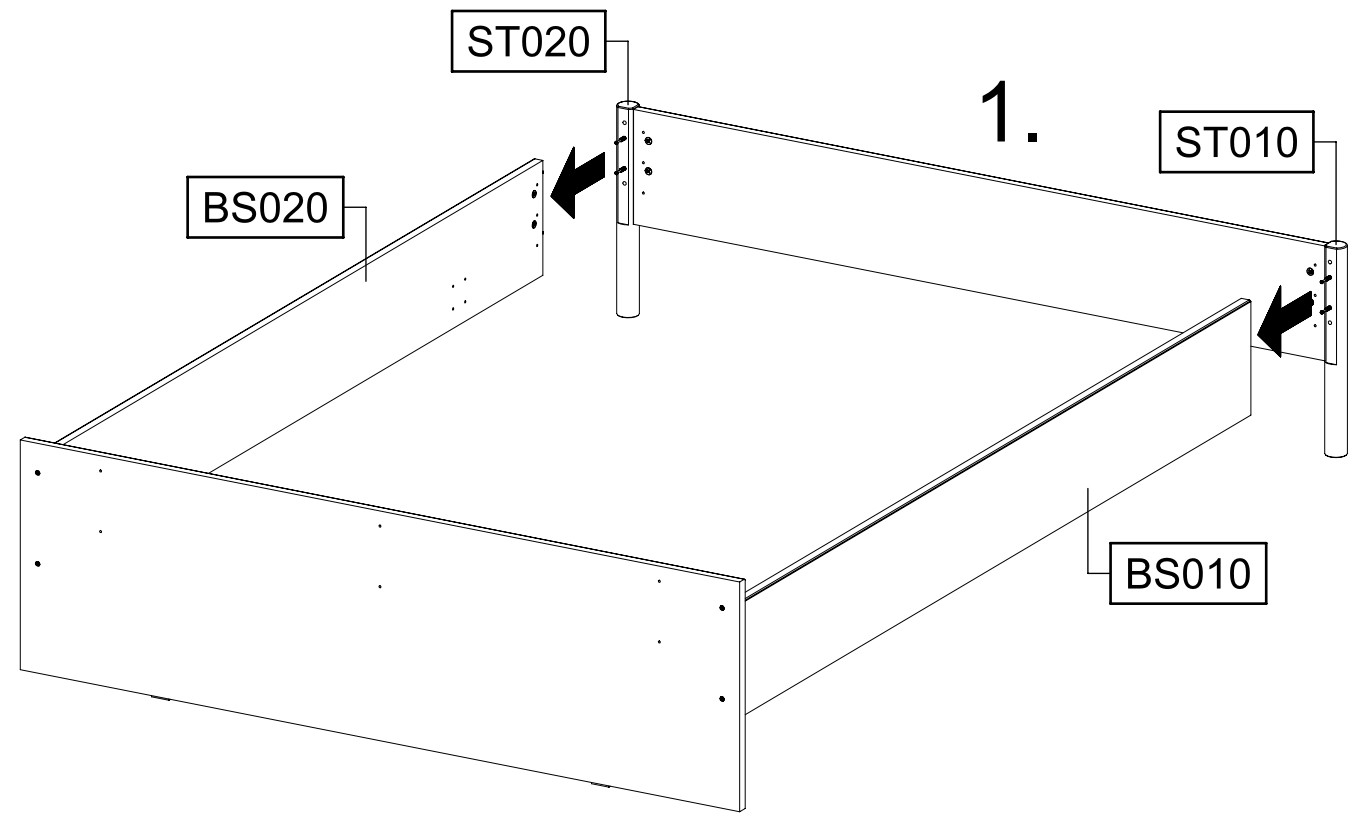
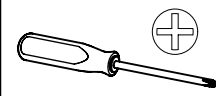


1.



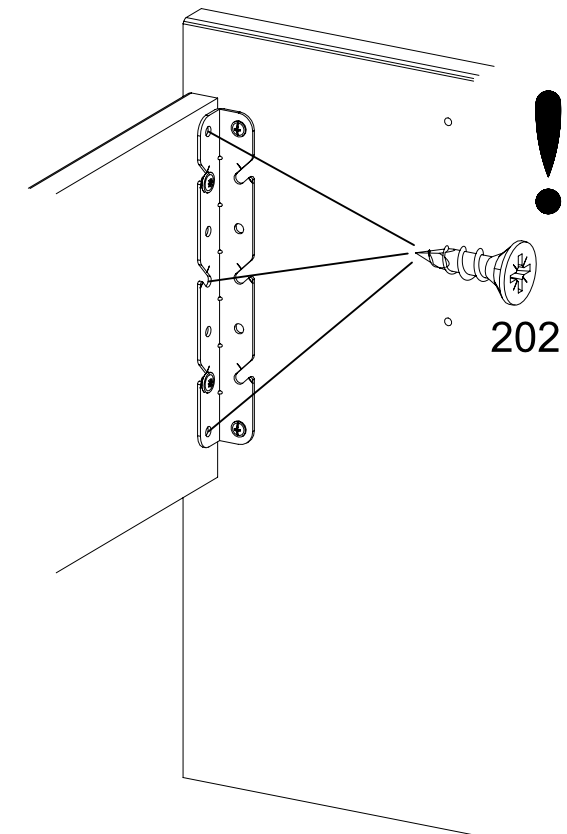
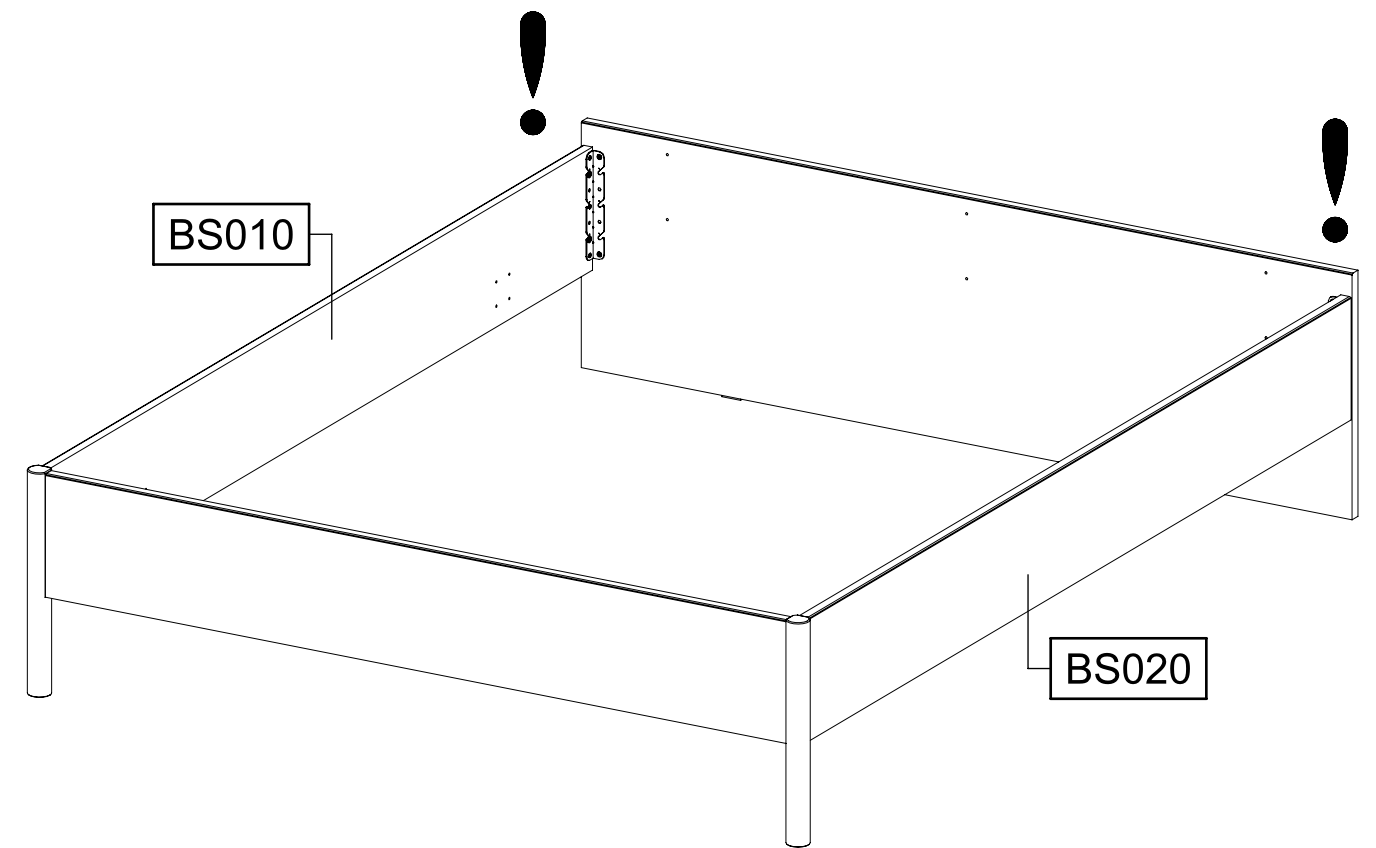
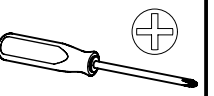
2.

11



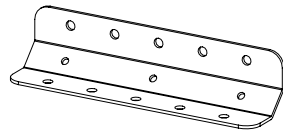
12

6x 202 4,5x16

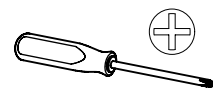


13

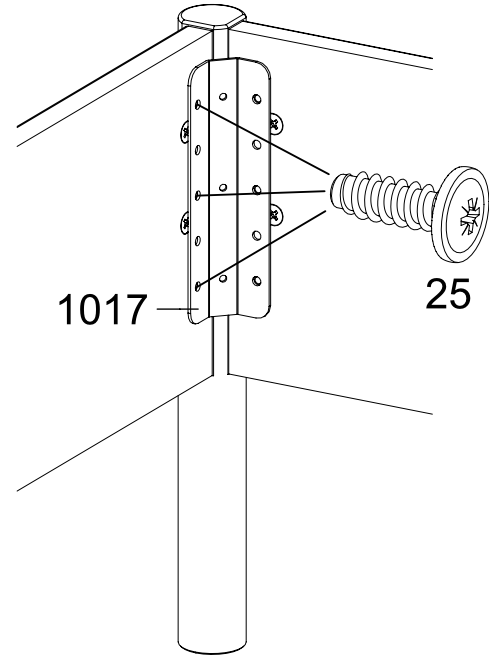
2x 1017



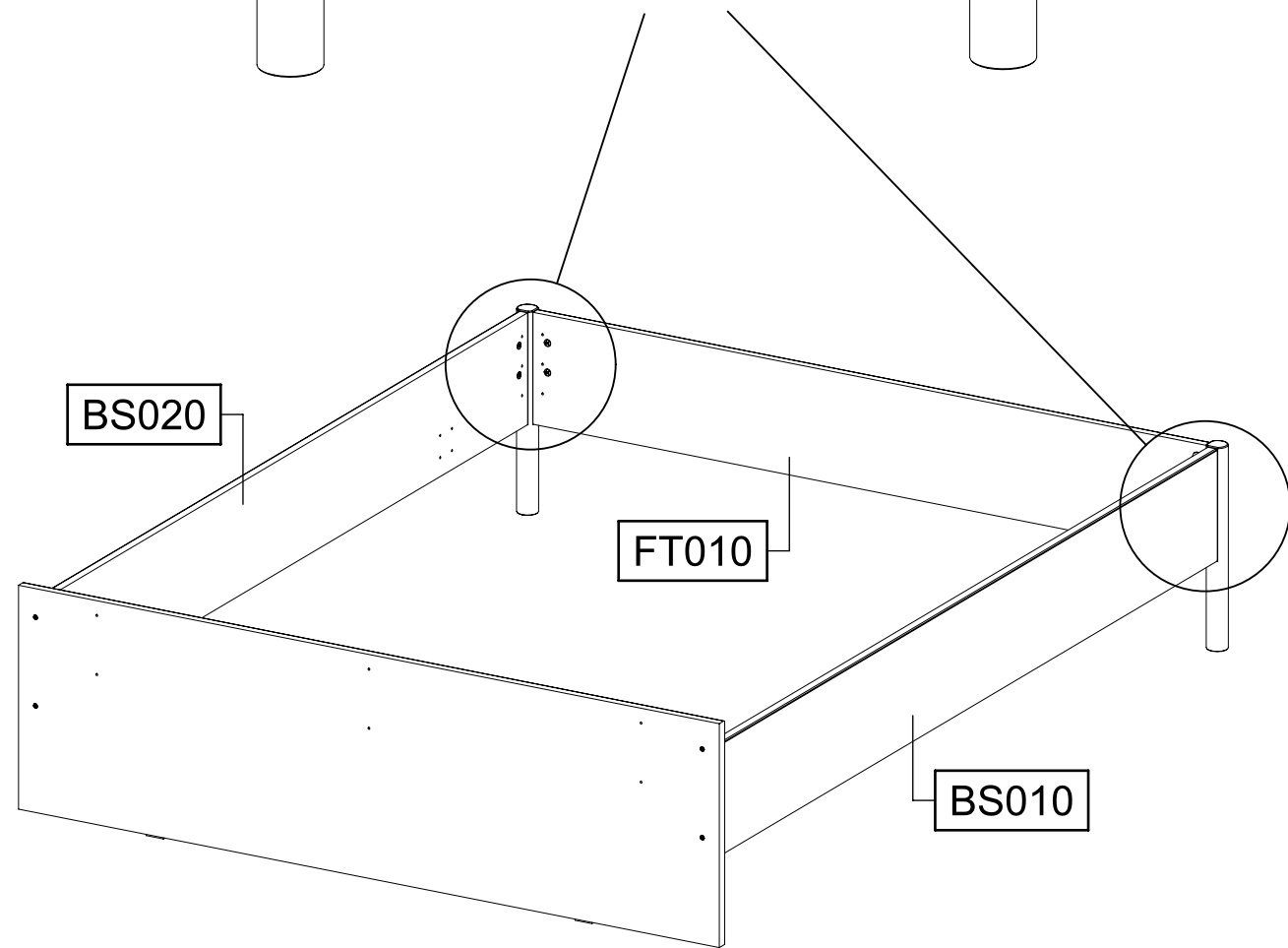
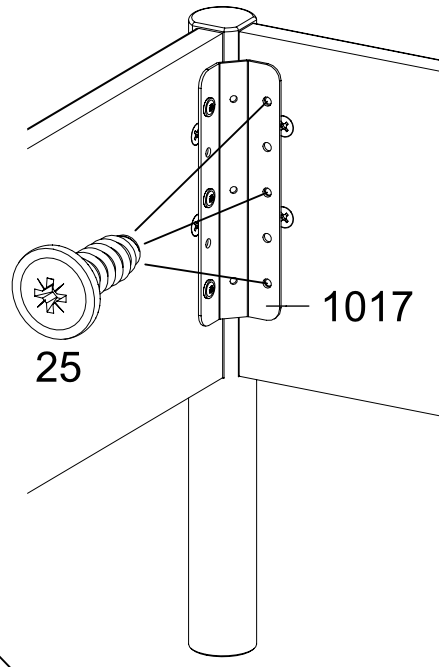
12x 25



1.

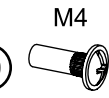


2.

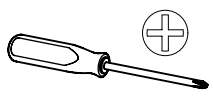
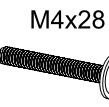


14

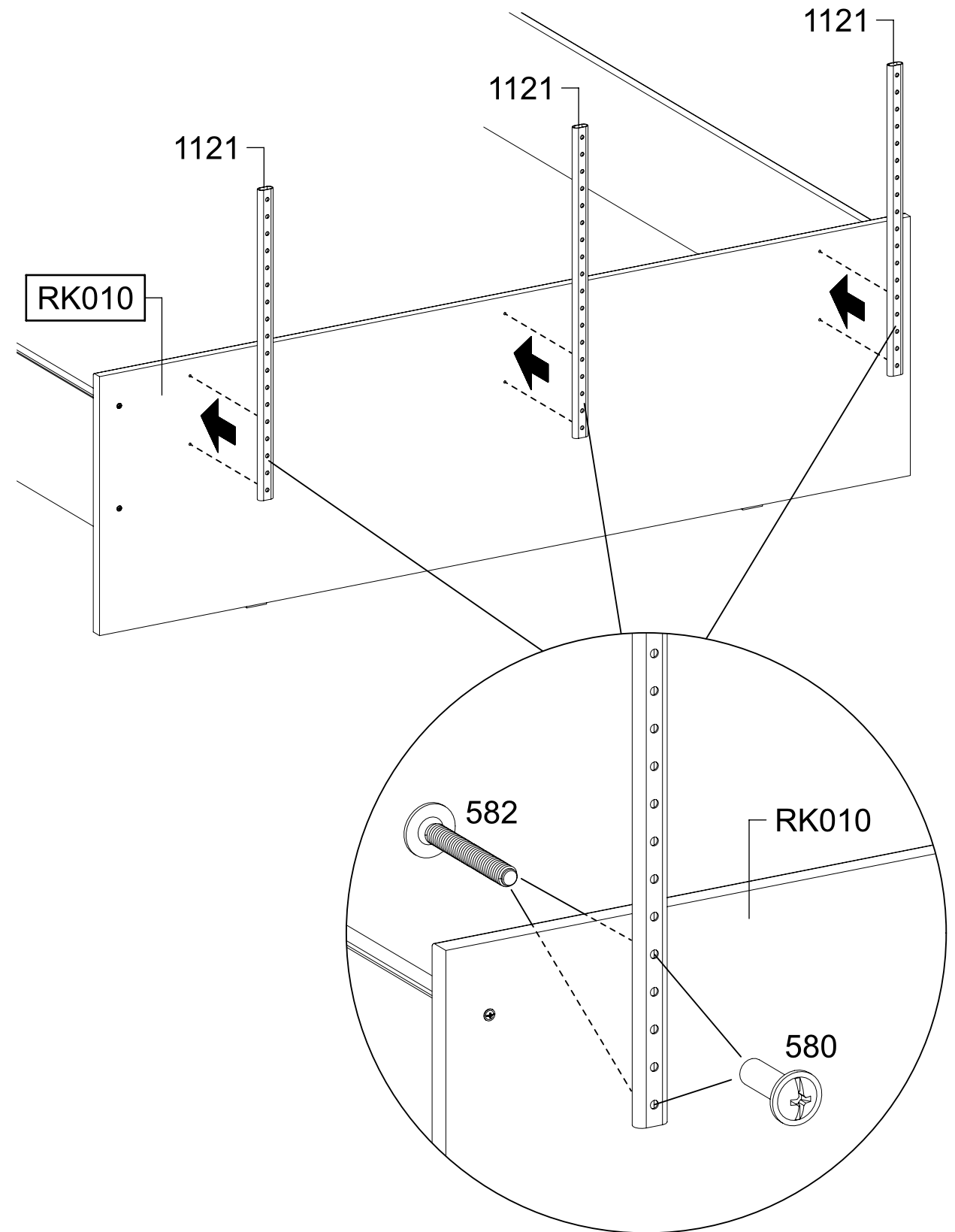
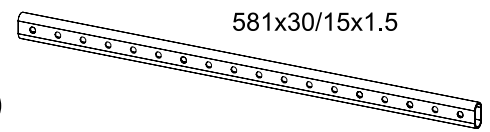
6x 580



6x 582



3x 1121

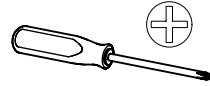
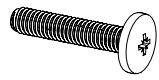


15

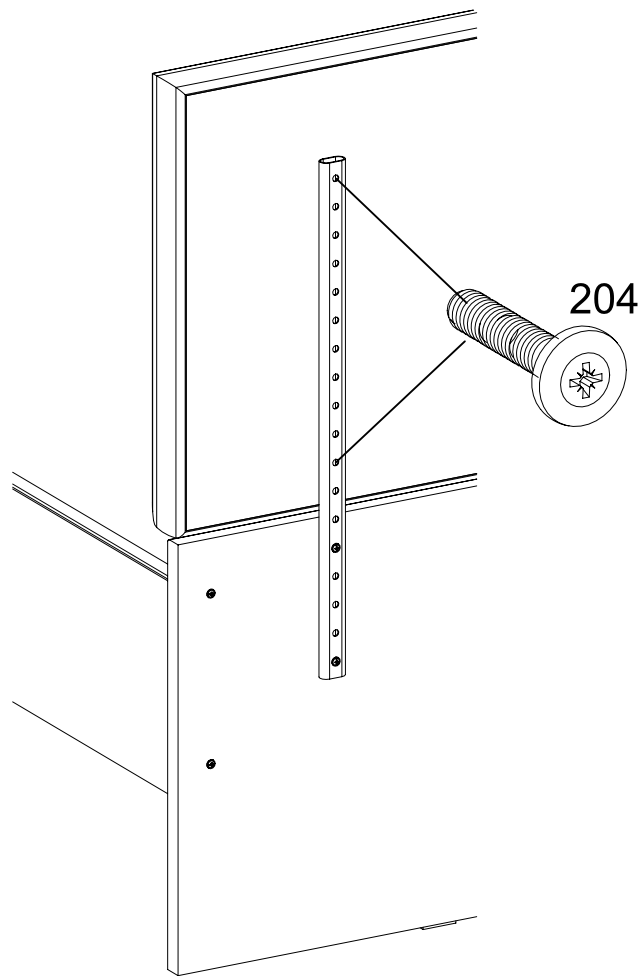
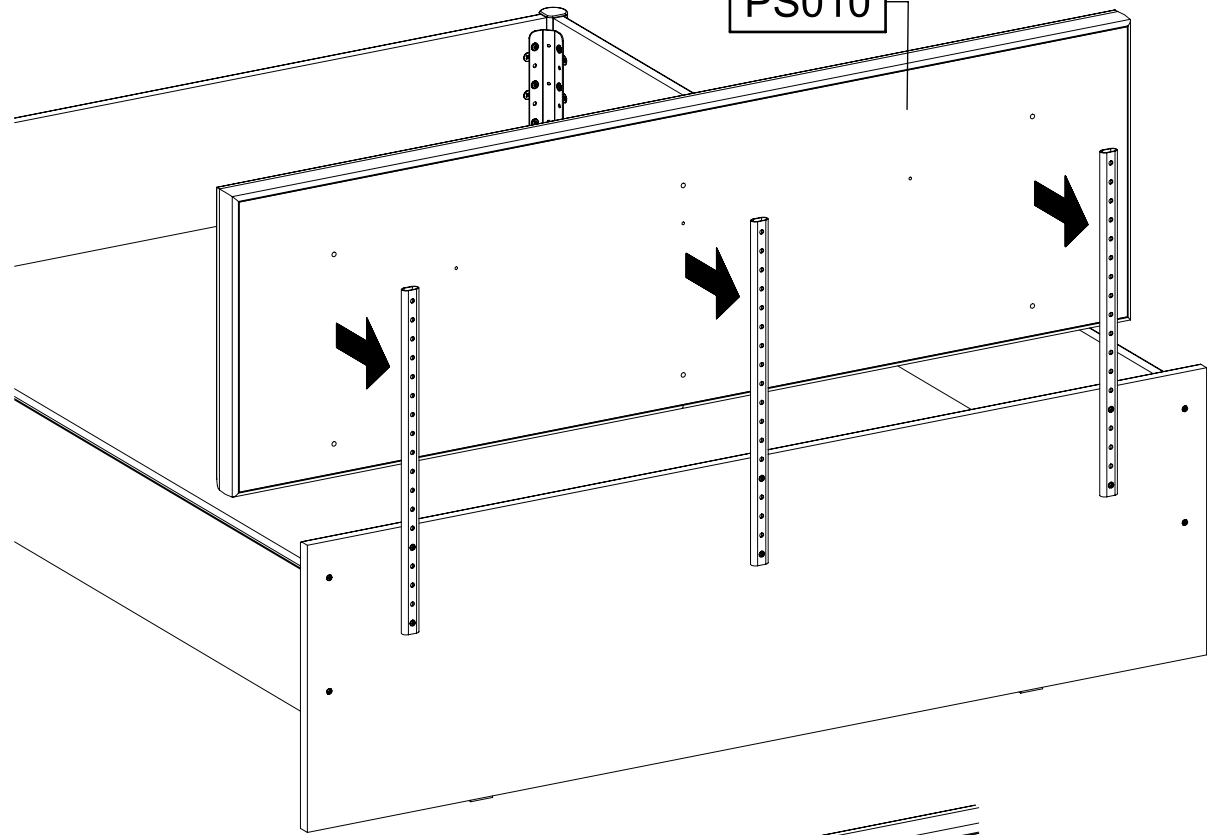
6x

204

M6x30



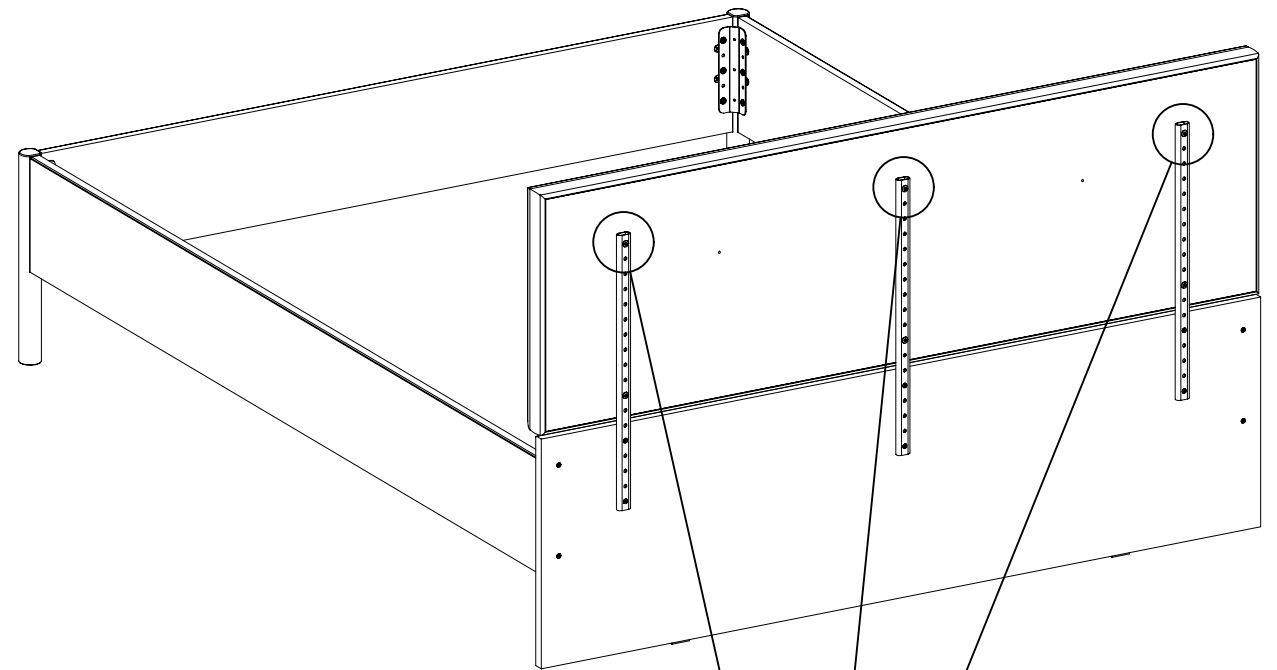
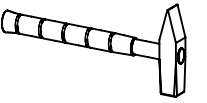
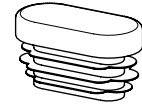
PS010



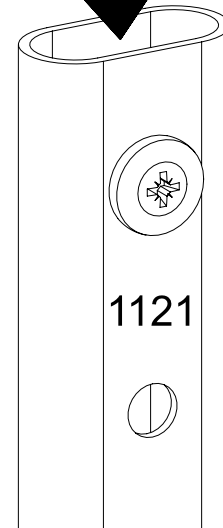
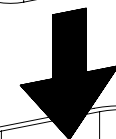
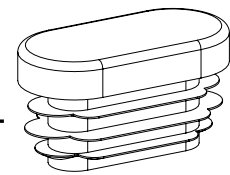
16

3x

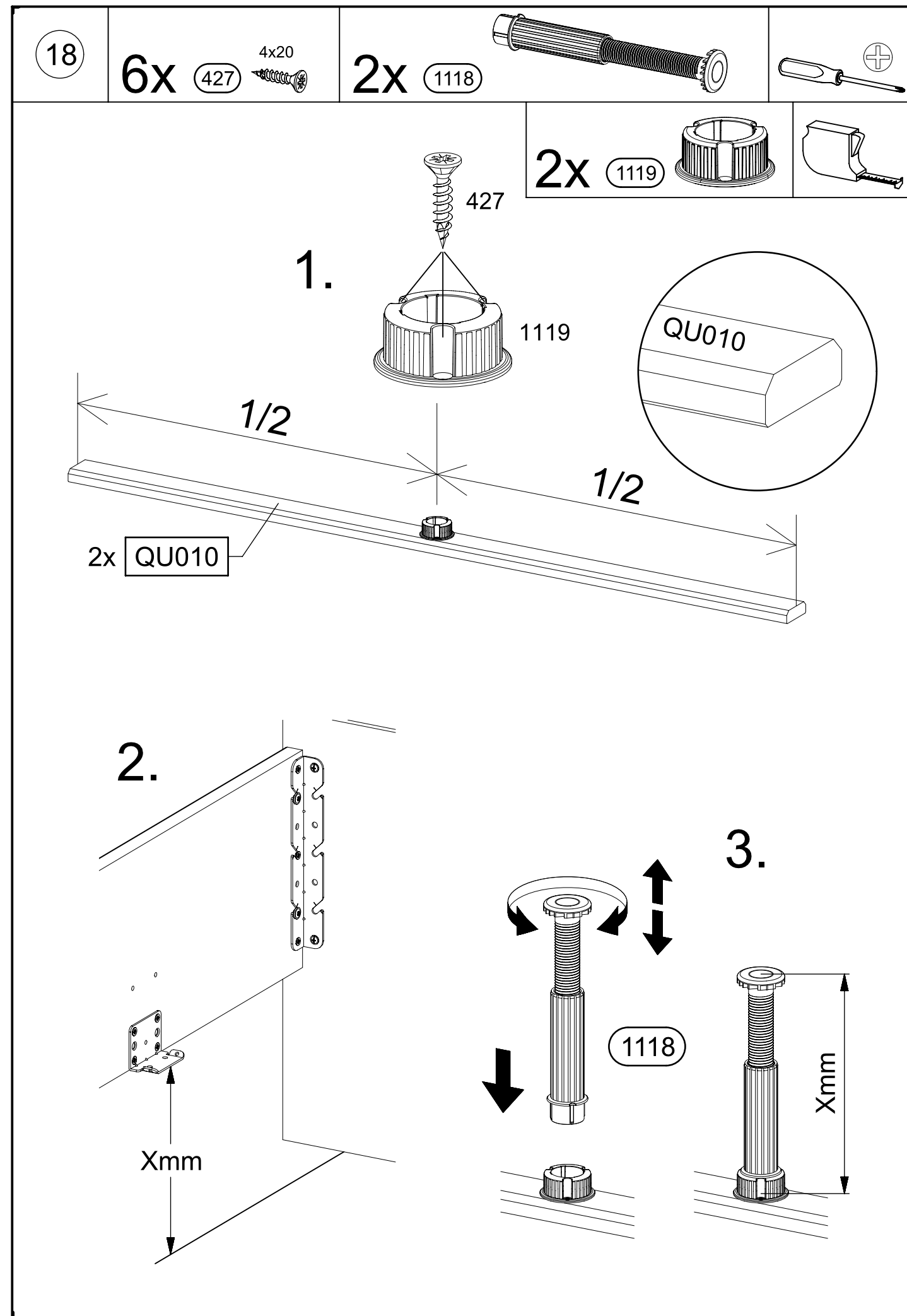
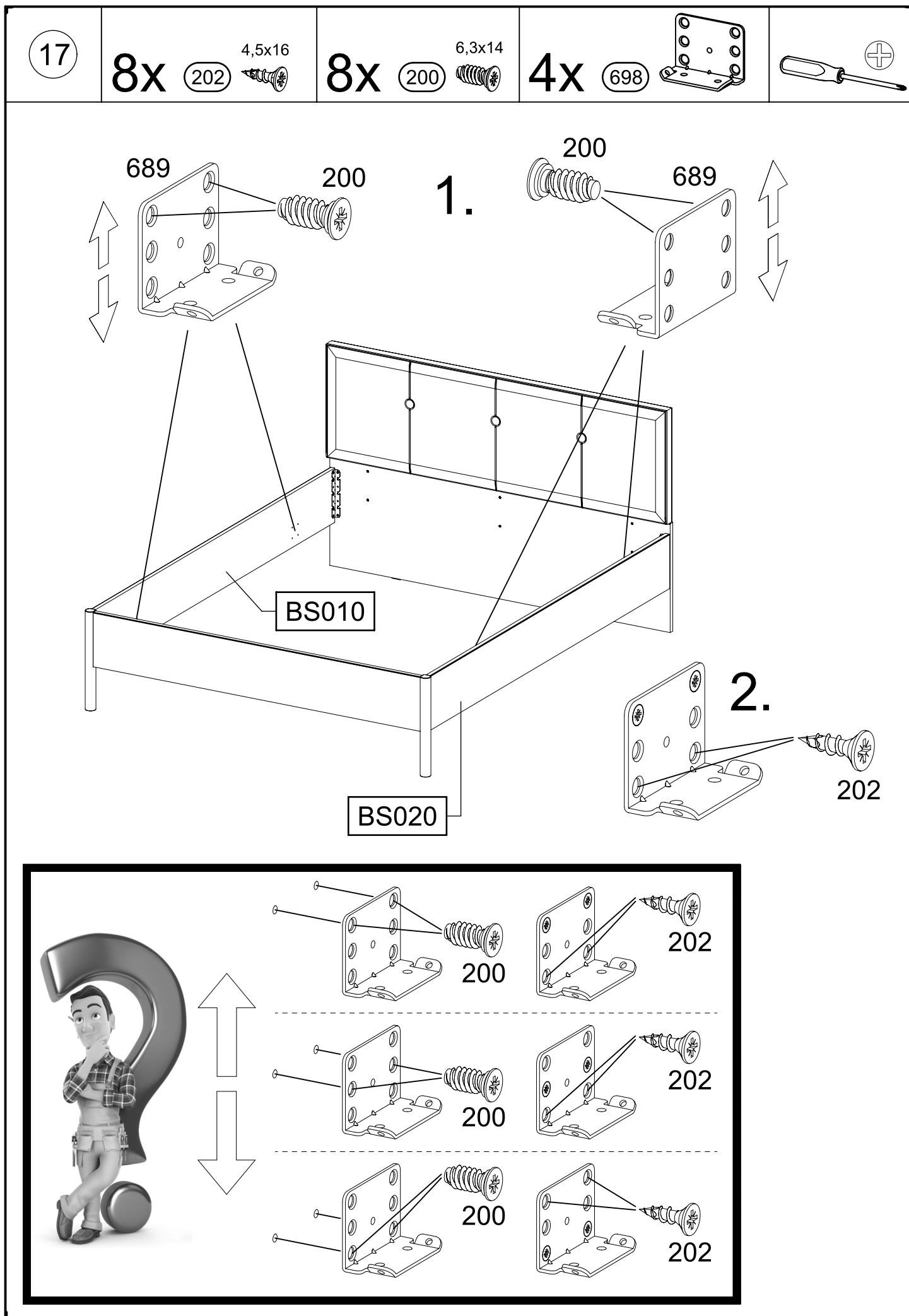
114



114



1121

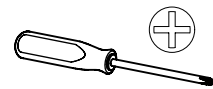


19

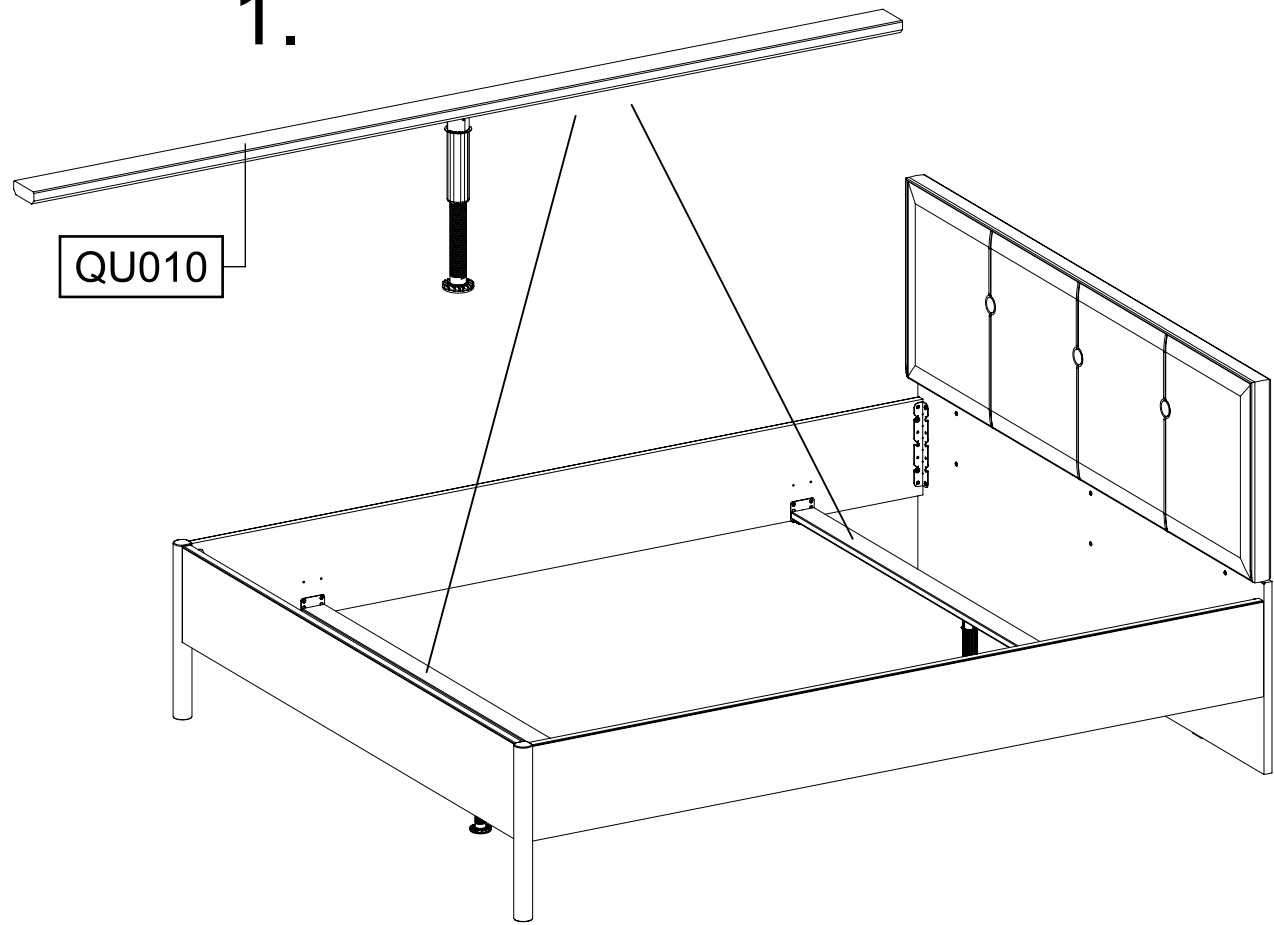
8x

202

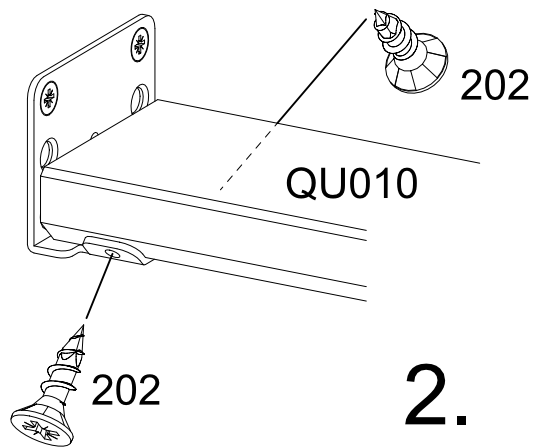
4,5x16



1.

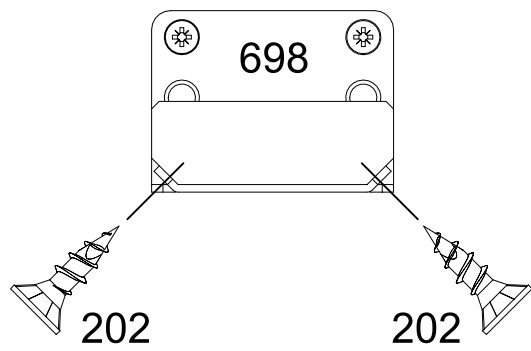


QU010

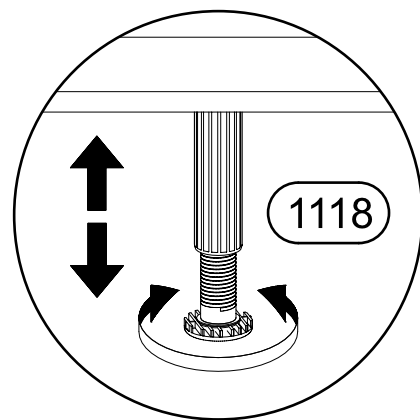


QU010

2.



698



1118

