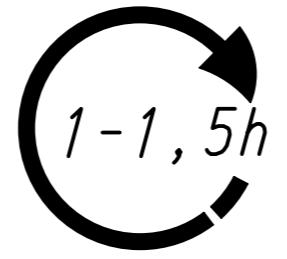
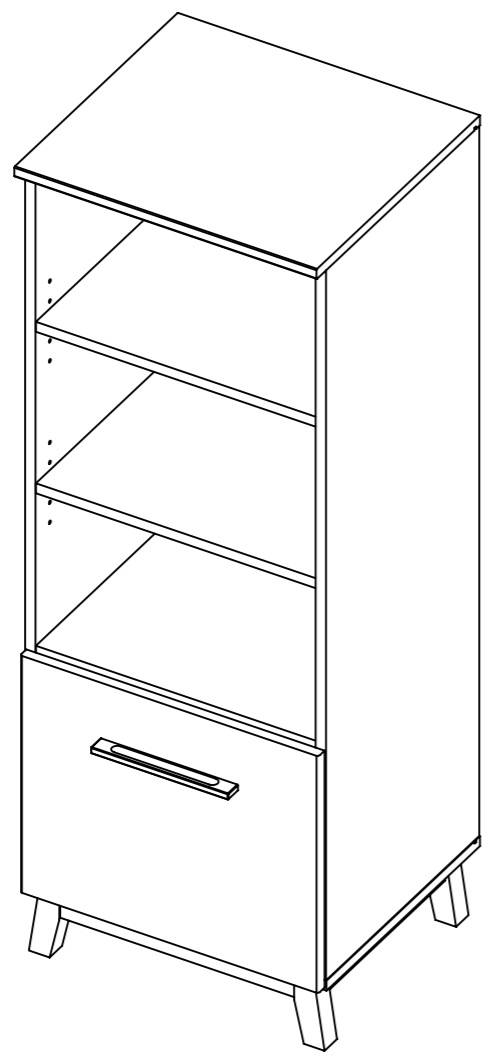
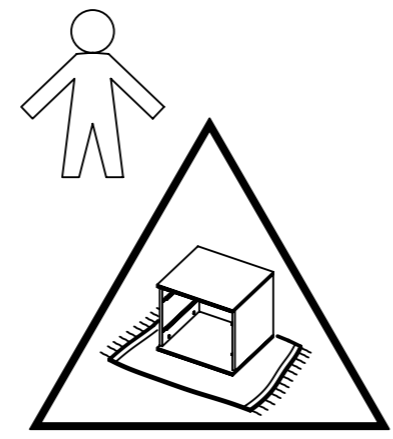
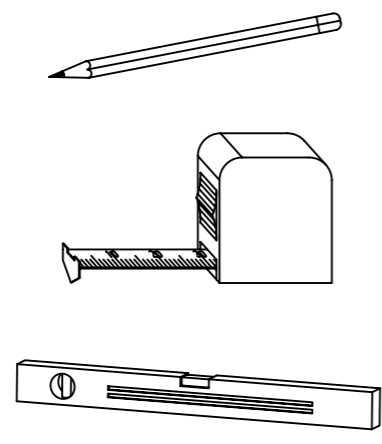
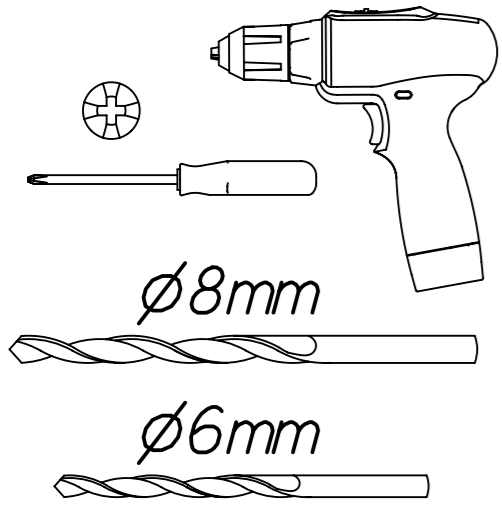


1.

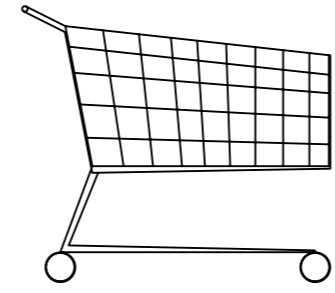
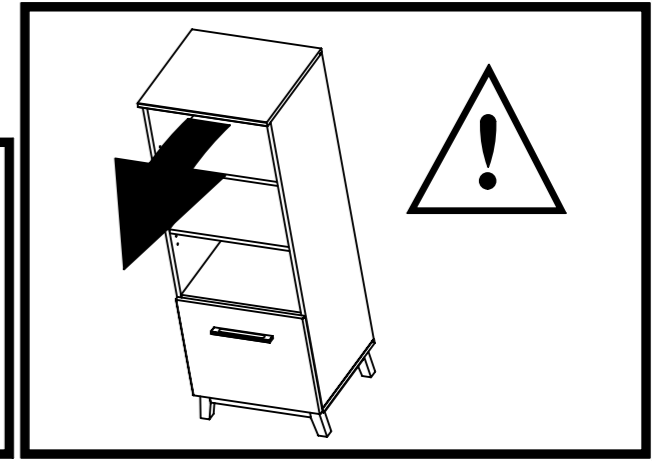
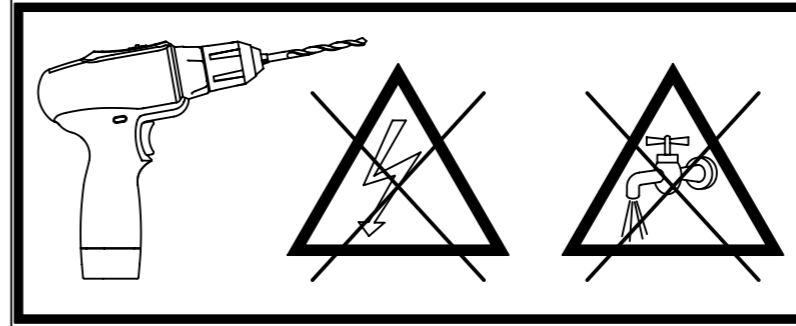
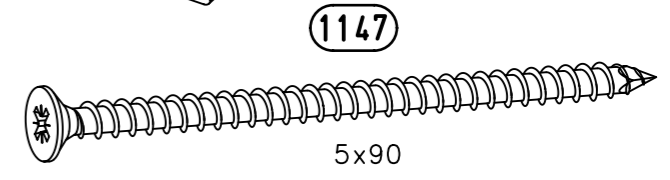
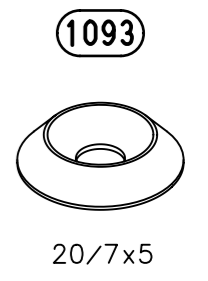
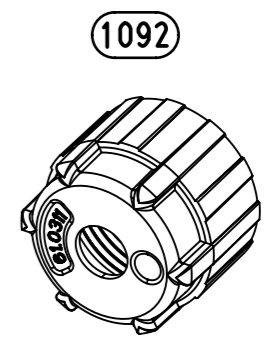
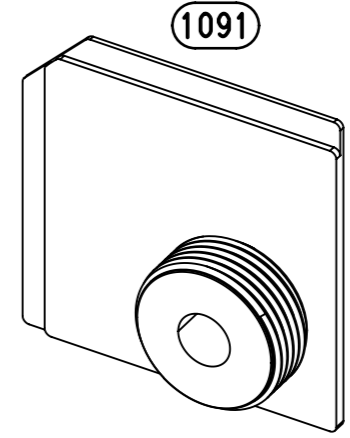
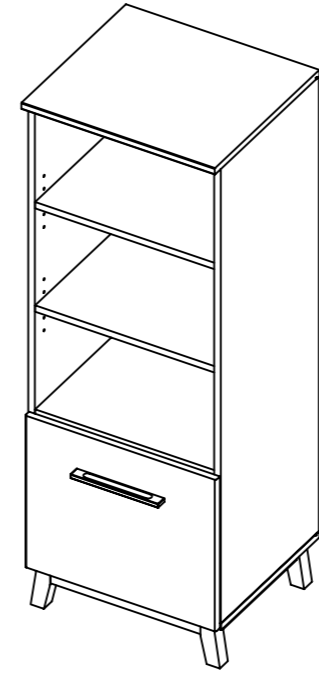
M2432_02

rauch

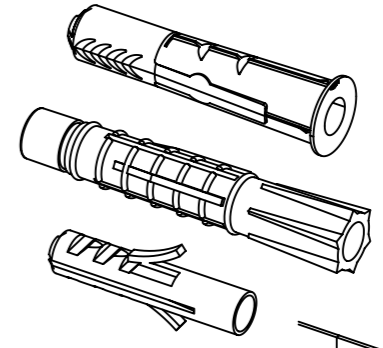


2.

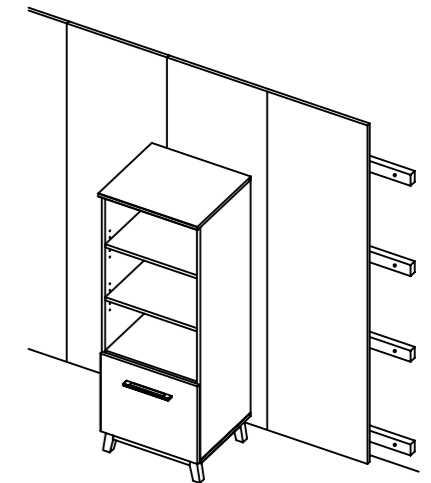
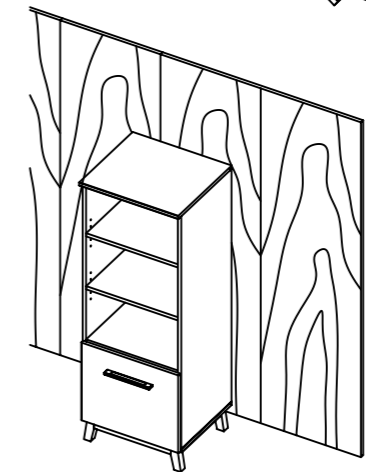
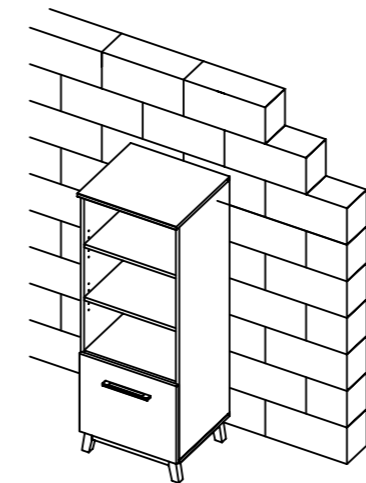
2x

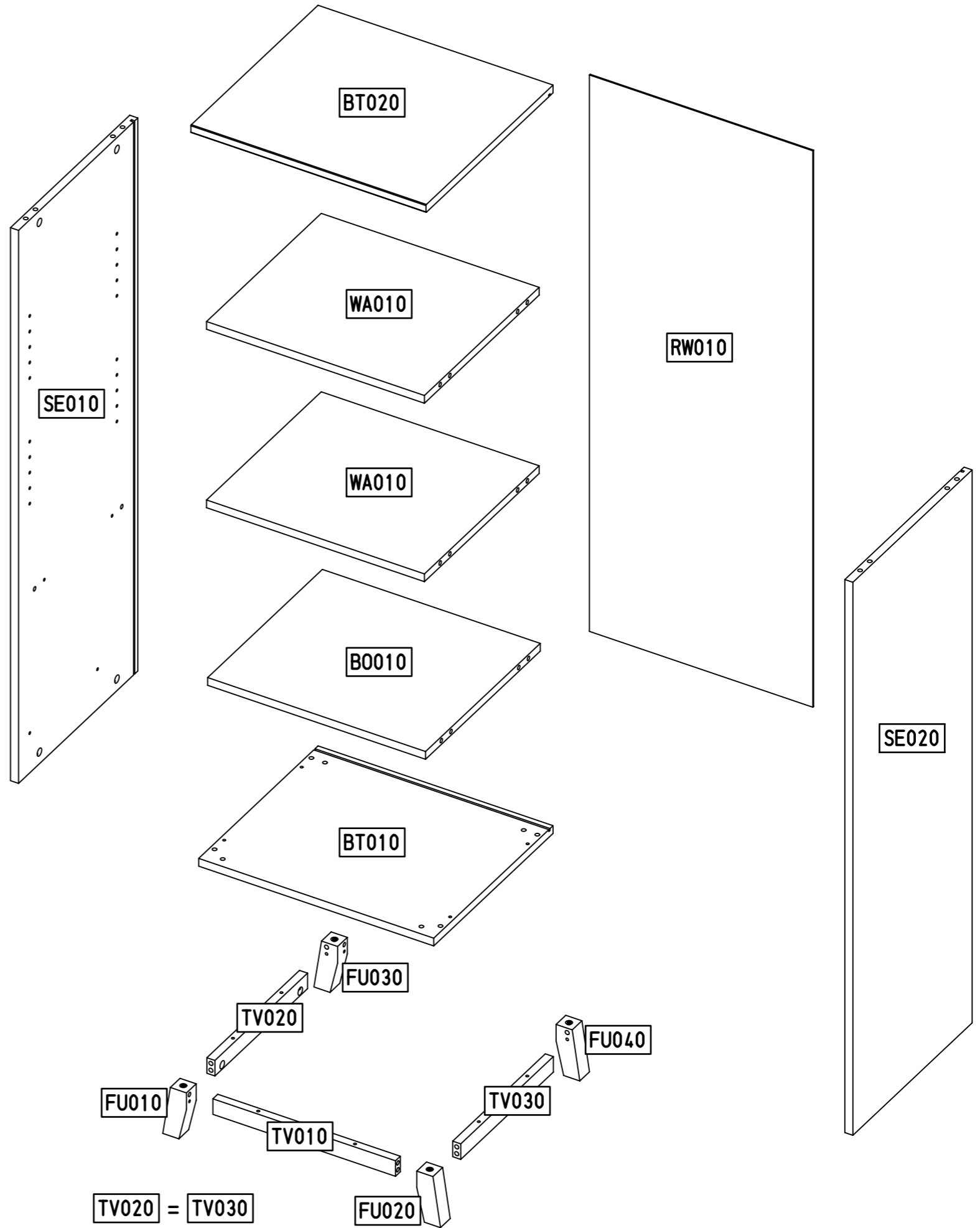
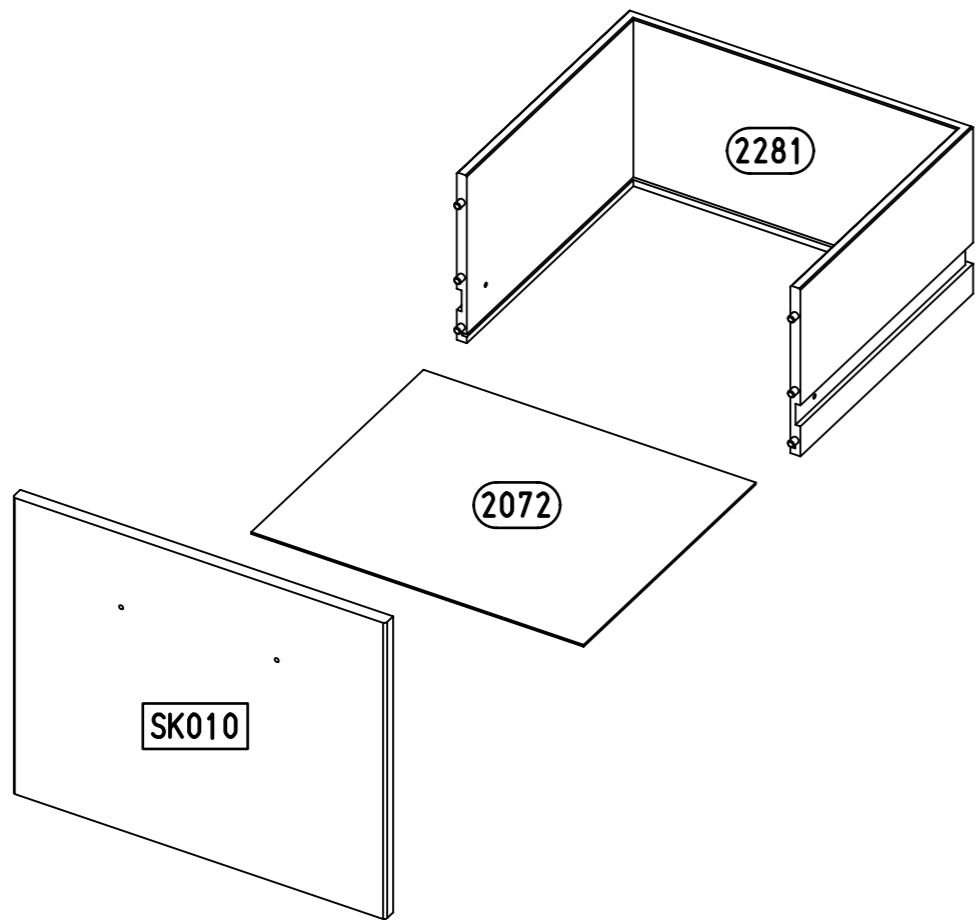


ø8mm

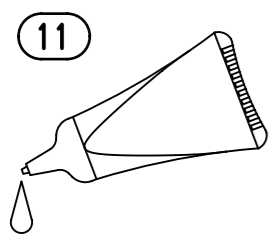
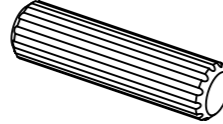
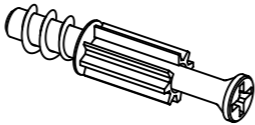
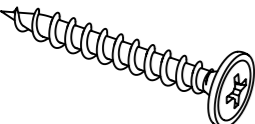
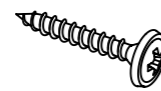

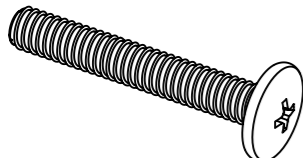
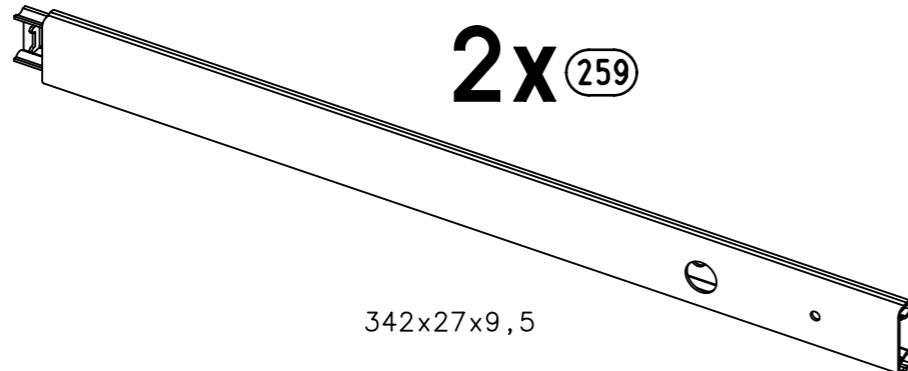


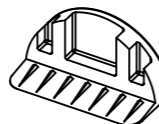

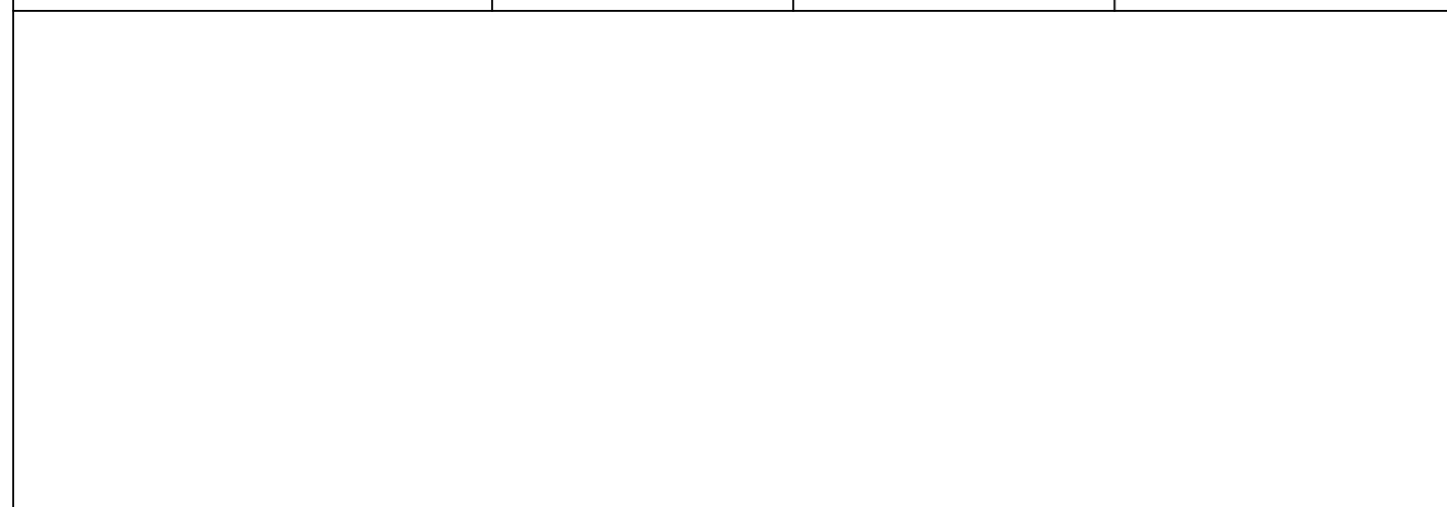
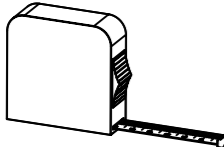
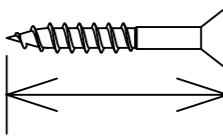
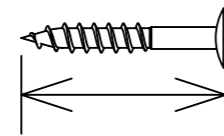
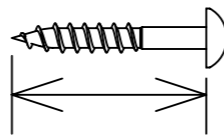


?

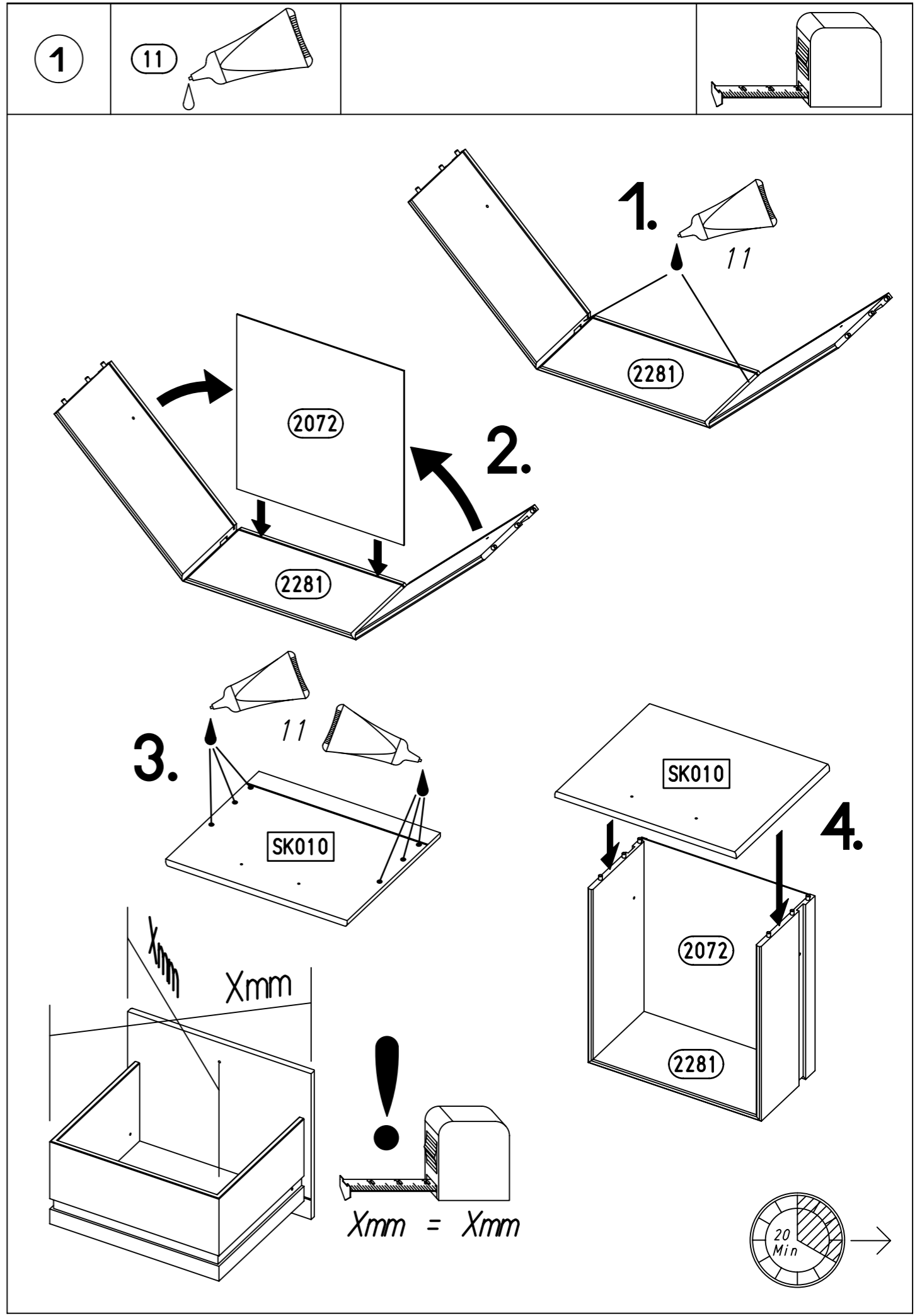




5.

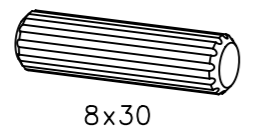
 <p>11</p>	<p>18x (18)</p>  <p>8x30</p>	<p>18x (183)</p>  <p>23/10x7,5</p>	
<p>6x (214)</p>  <p>4,5x35</p>	<p>3x (215)</p>  <p>3x20</p>	<p>4x (227)</p>  <p>6x10,5</p>	
<p>4x (245)</p>  <p>M6x40</p>	<p>2x (259)</p>  <p>342x27x9,5</p>		
<p>18x (349)</p> 	<p>2x (568)</p>  <p>M4x9</p>	<p>6x (1090)</p> 	<p>8x (1105)</p> 
			
			

6.

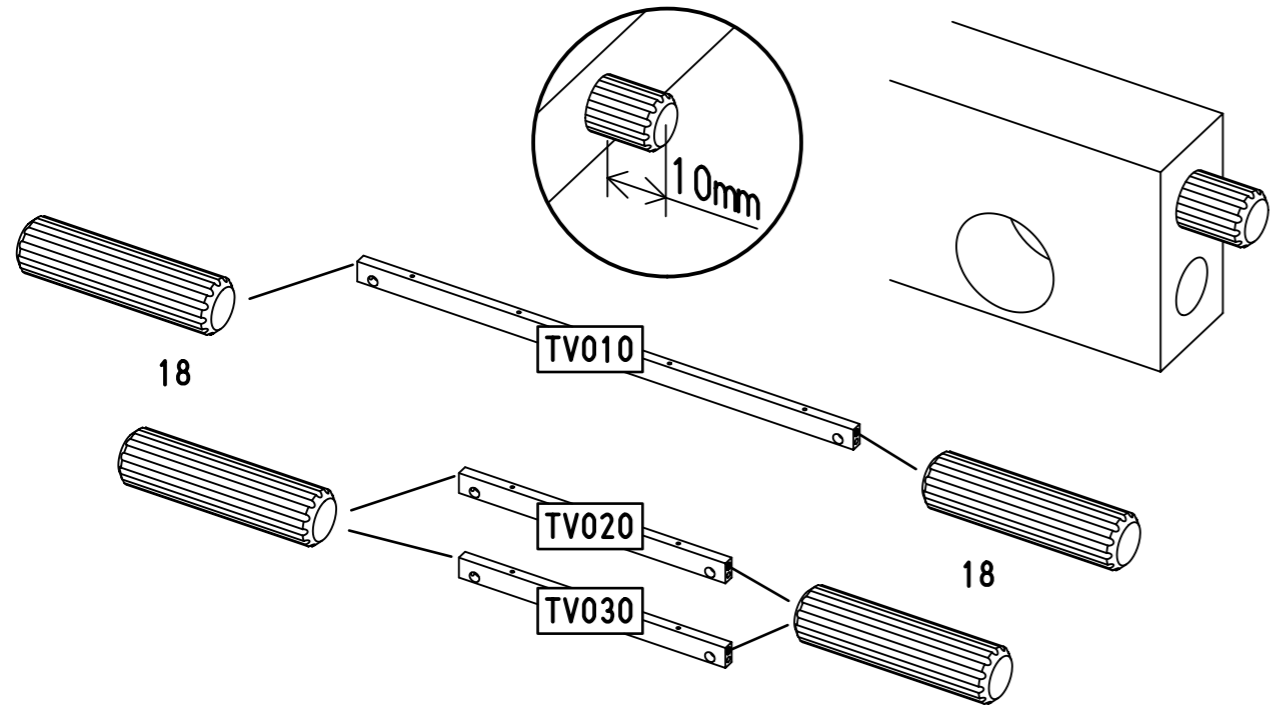


2

6x 18

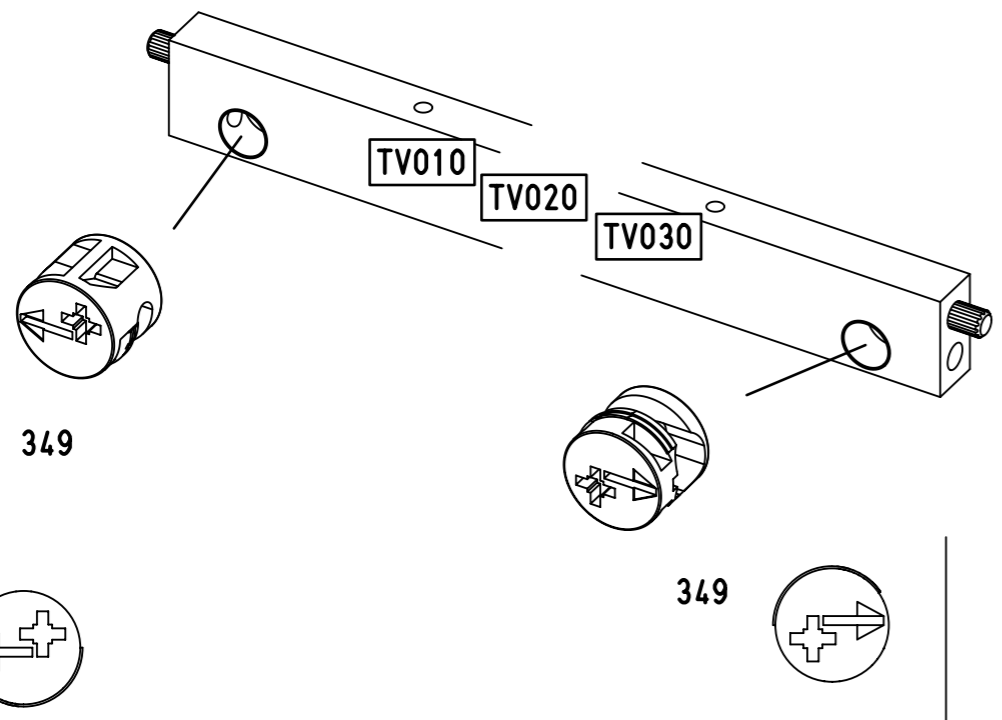
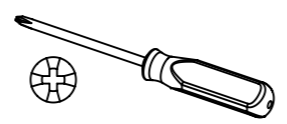


8x30



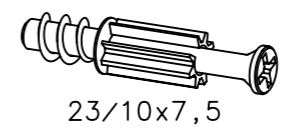
3

6x 349

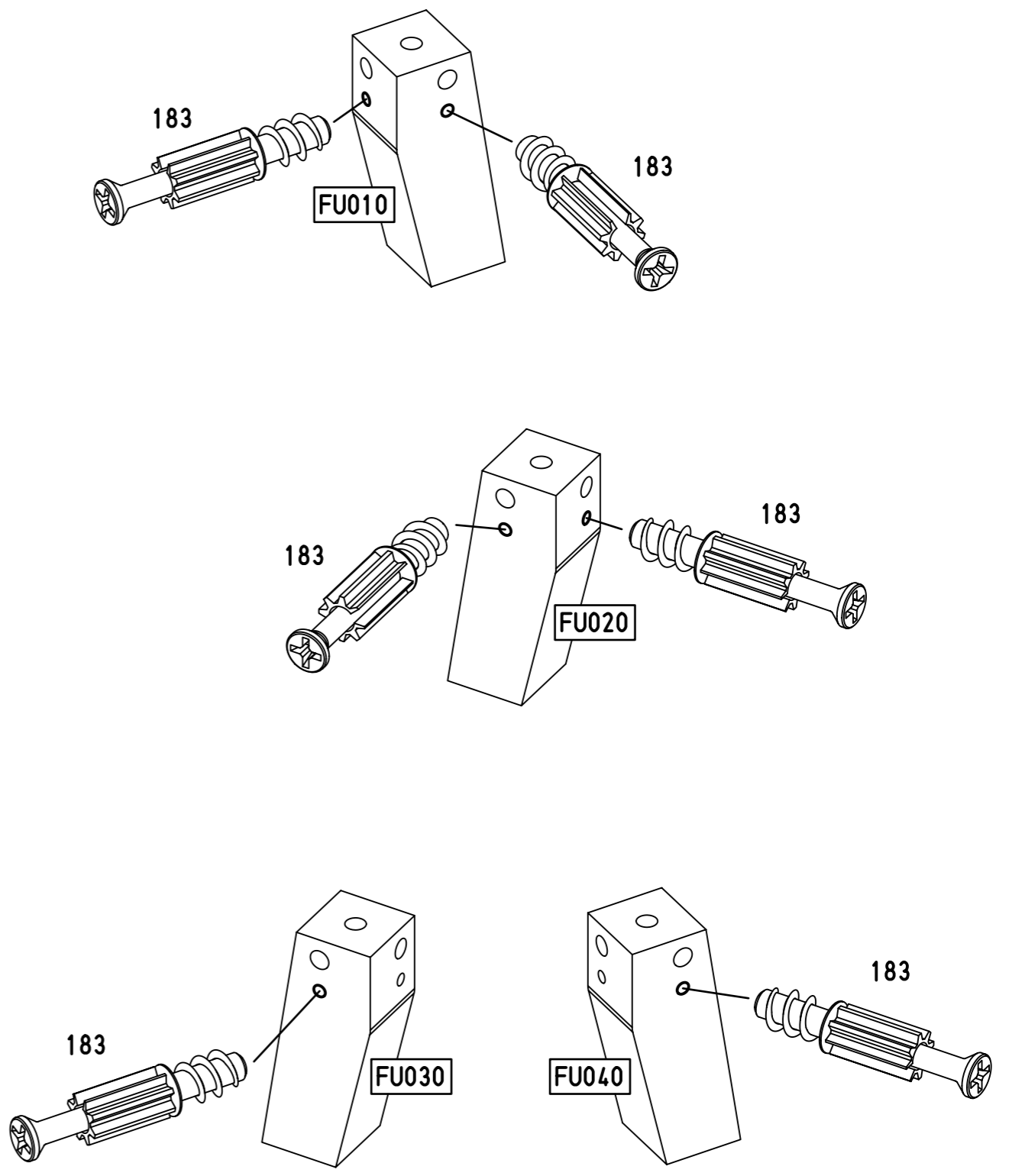
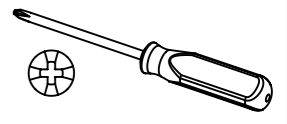


4

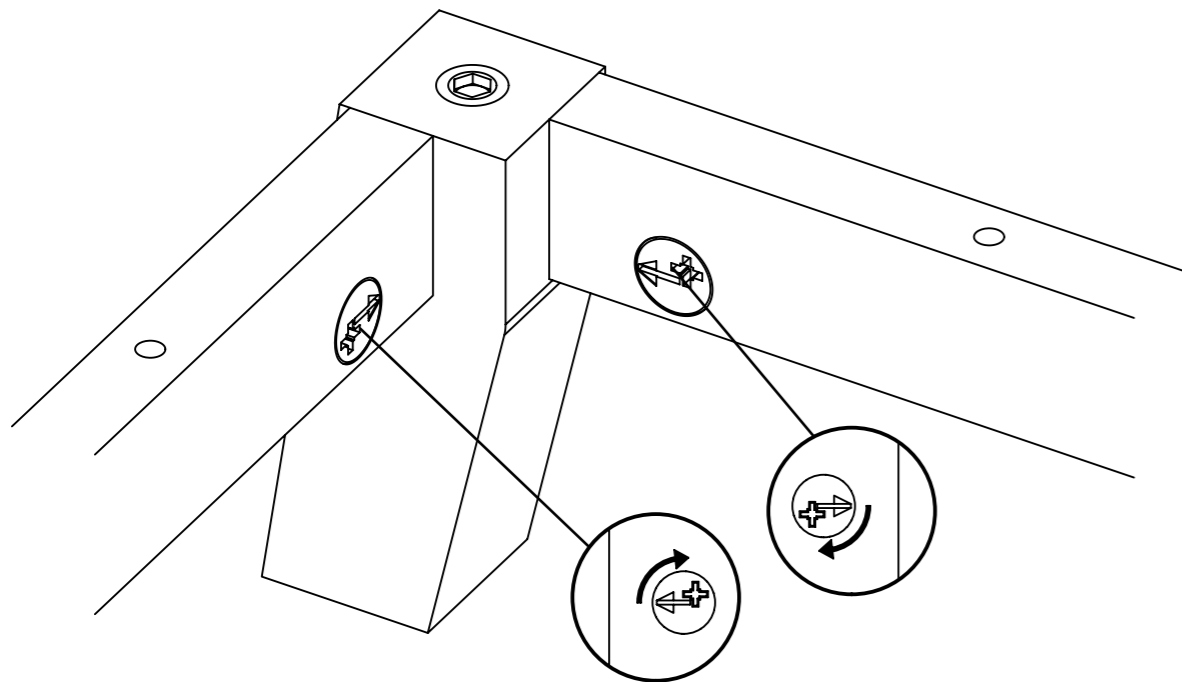
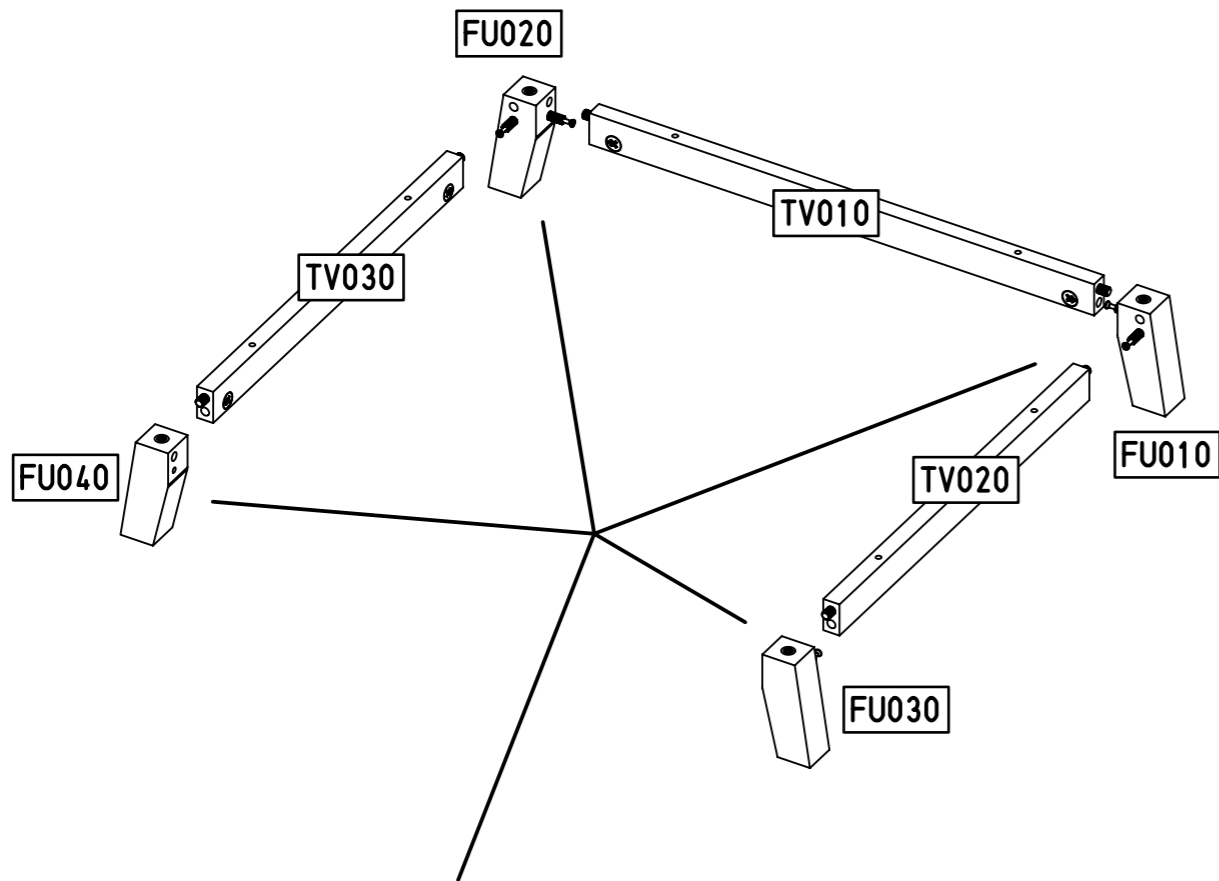
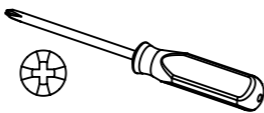
6x 183



23/10x7,5

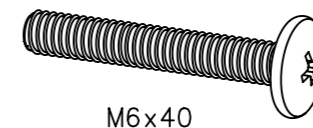


5

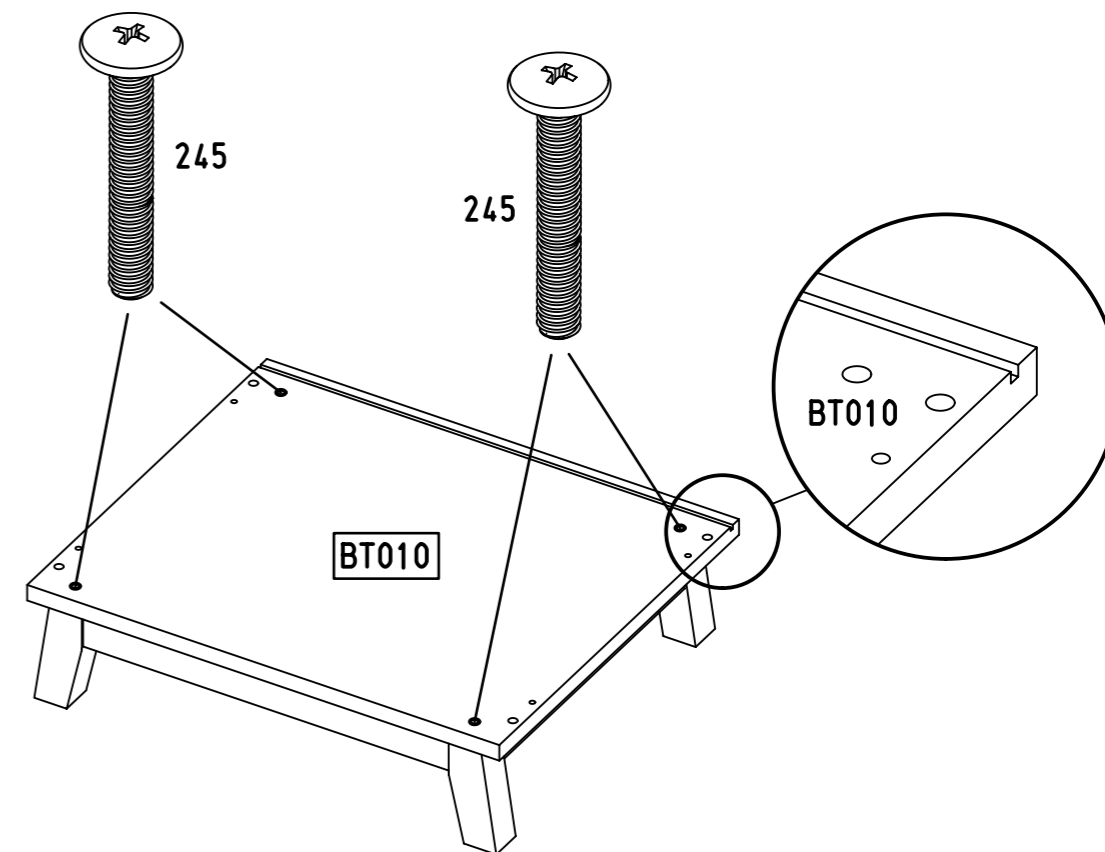
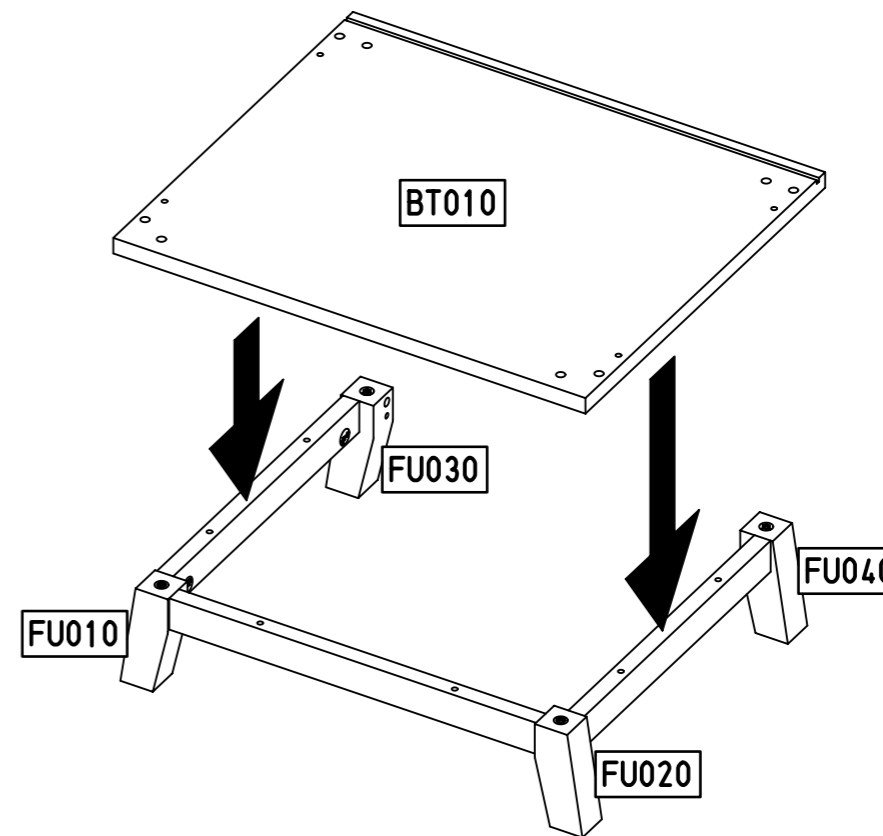
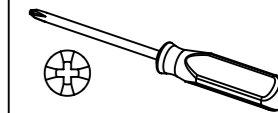


6

4x 245

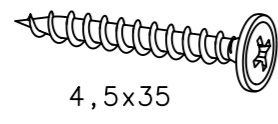


M6x40

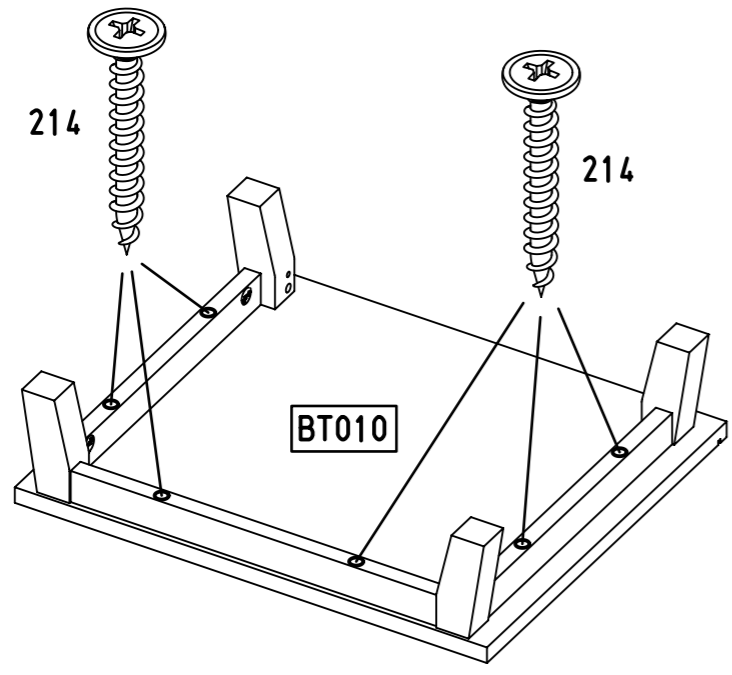
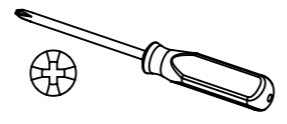


7

6x 214

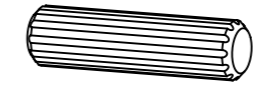


4,5x35

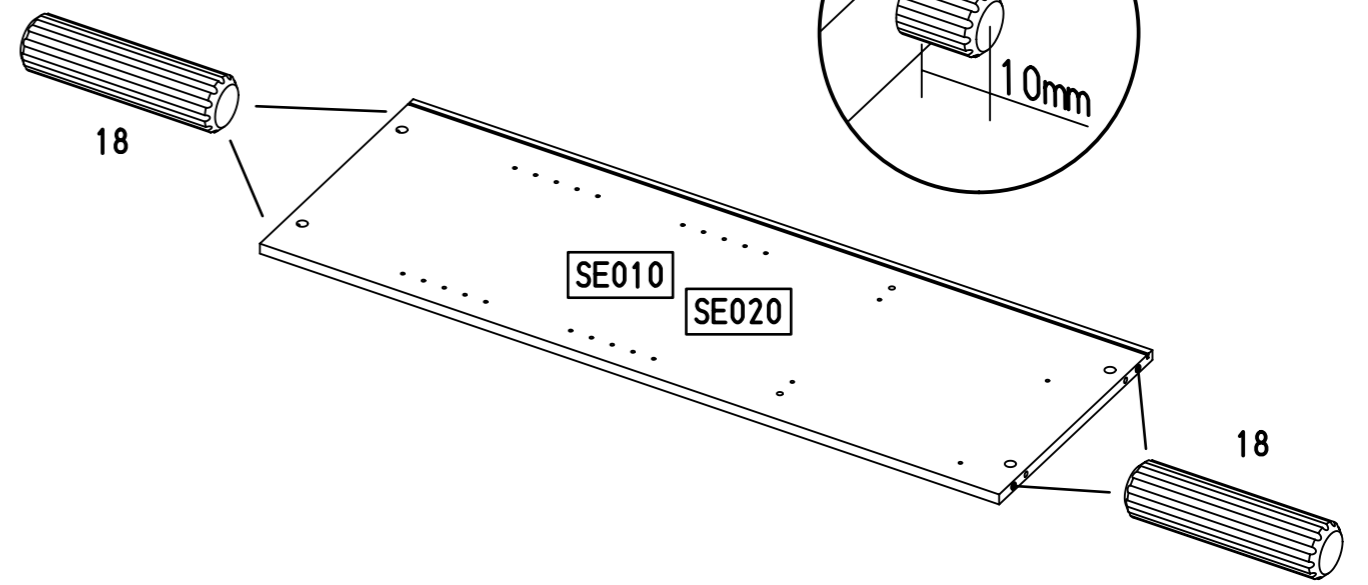
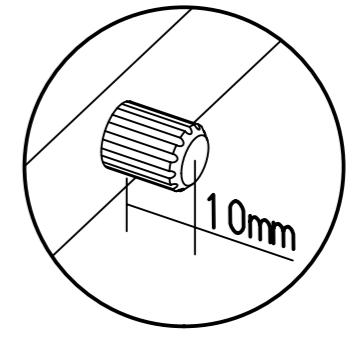


9

8x 18

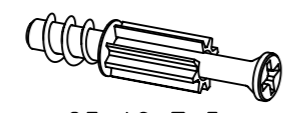


8x30

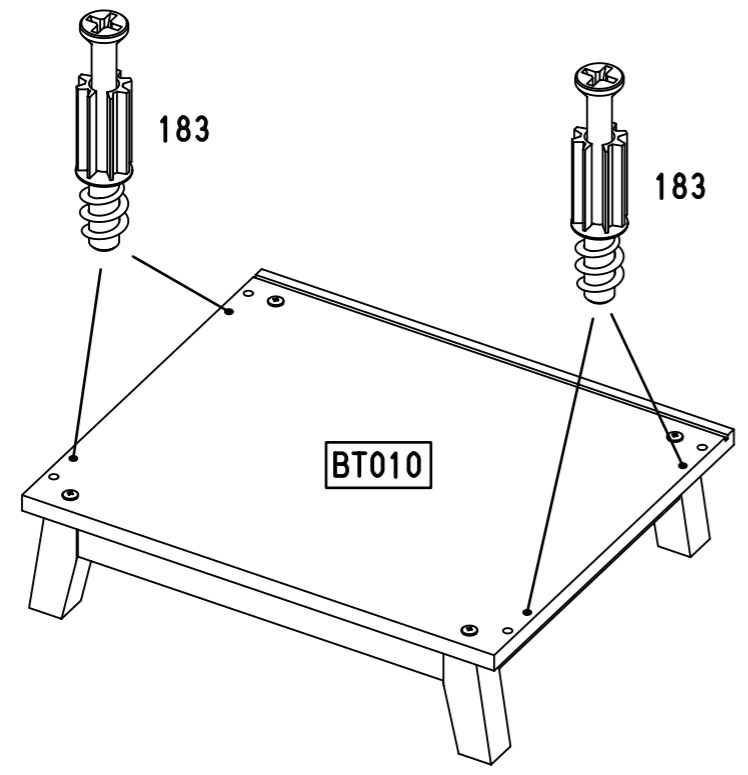
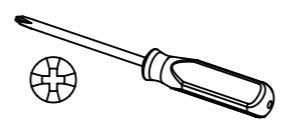


8

4x 183

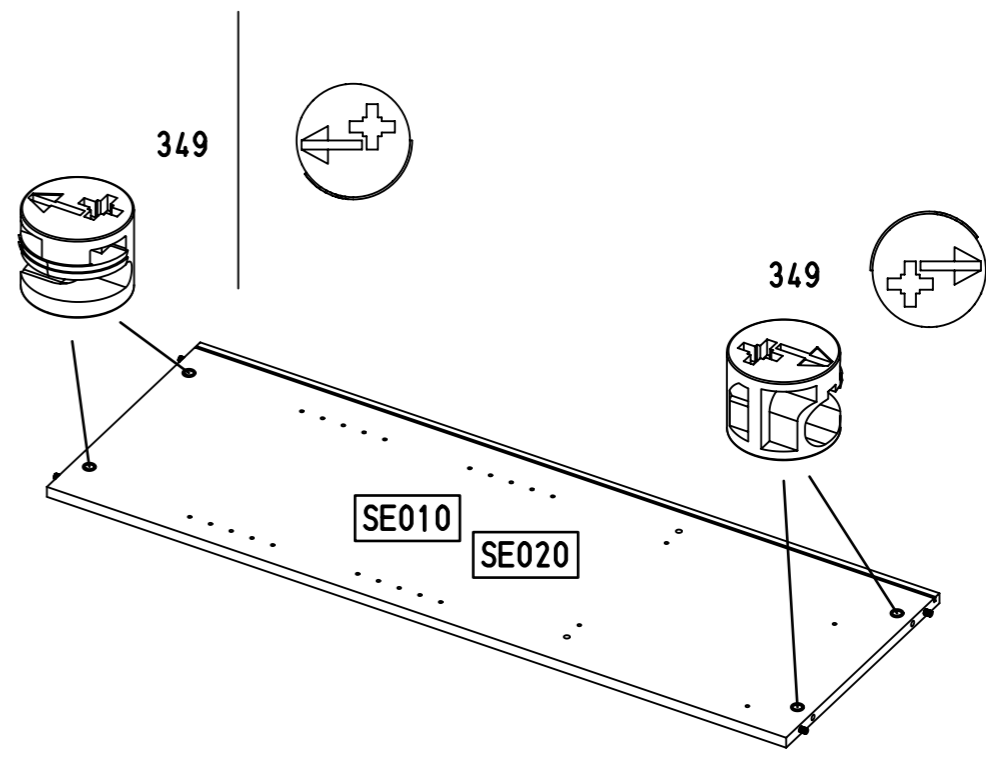
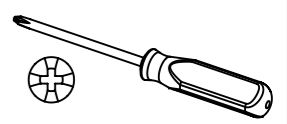
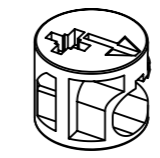


23/10x7,5



10

8x 349



13.

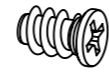
11

1x 259

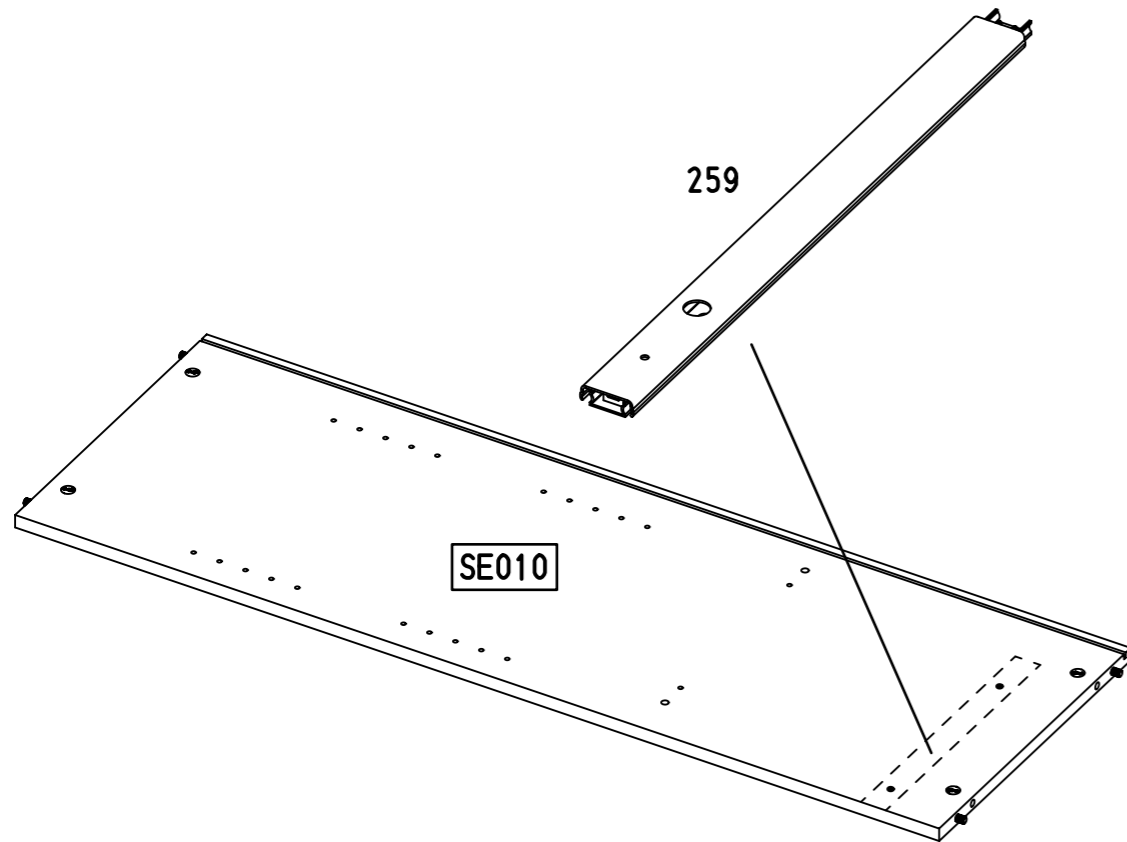
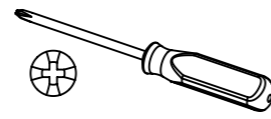


342x27x9,5

2x 227



6x10,5



1. 227



2. 227

14.

12

1x 259

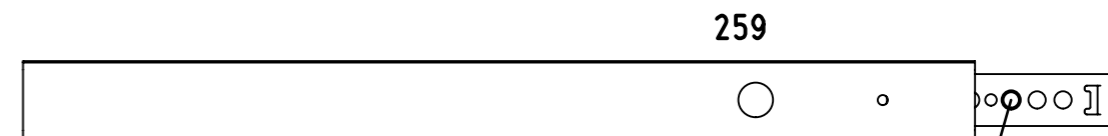
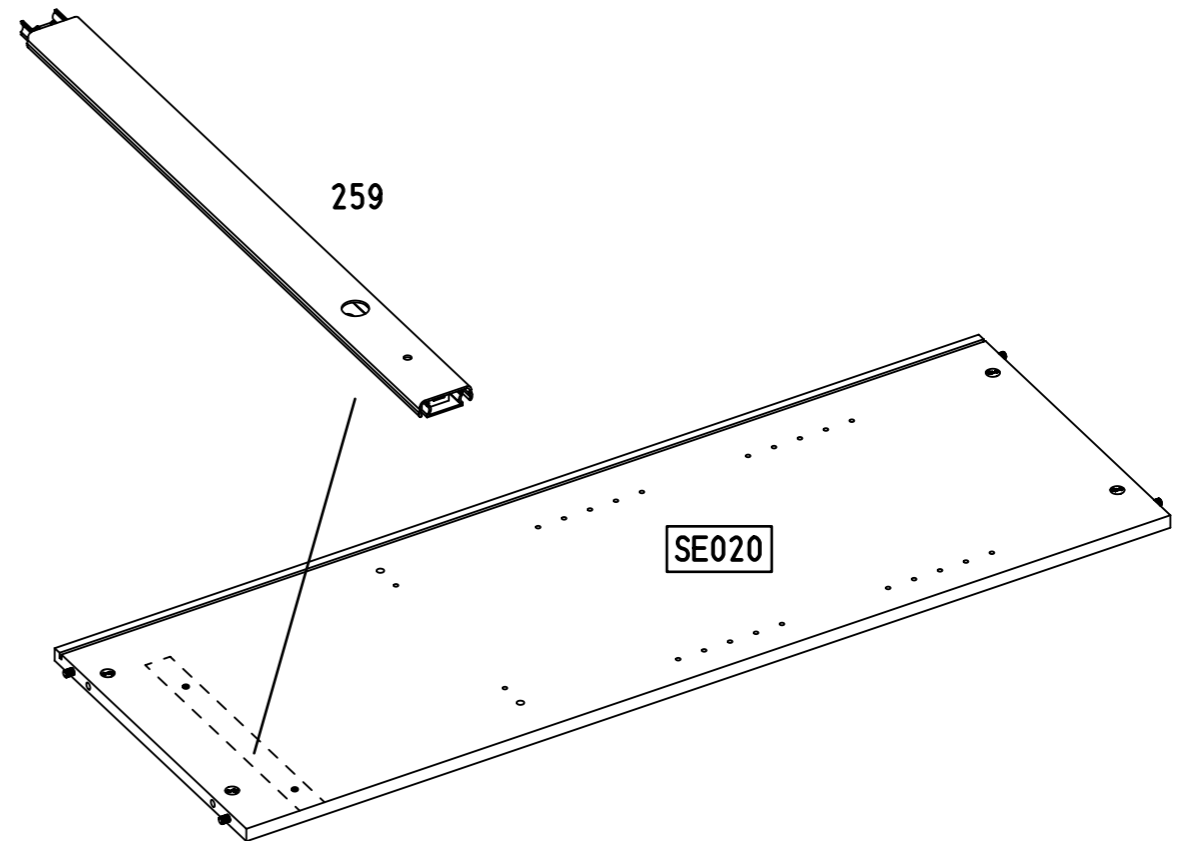
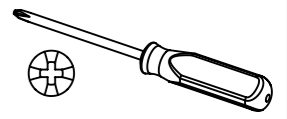


342x27x9,5

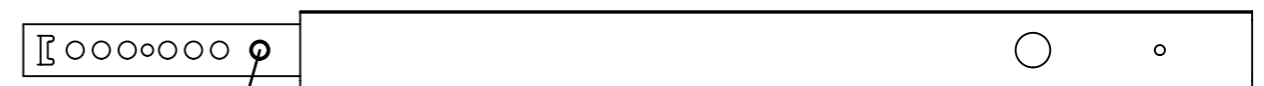
2x 227



6x10,5



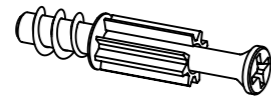
1. 227



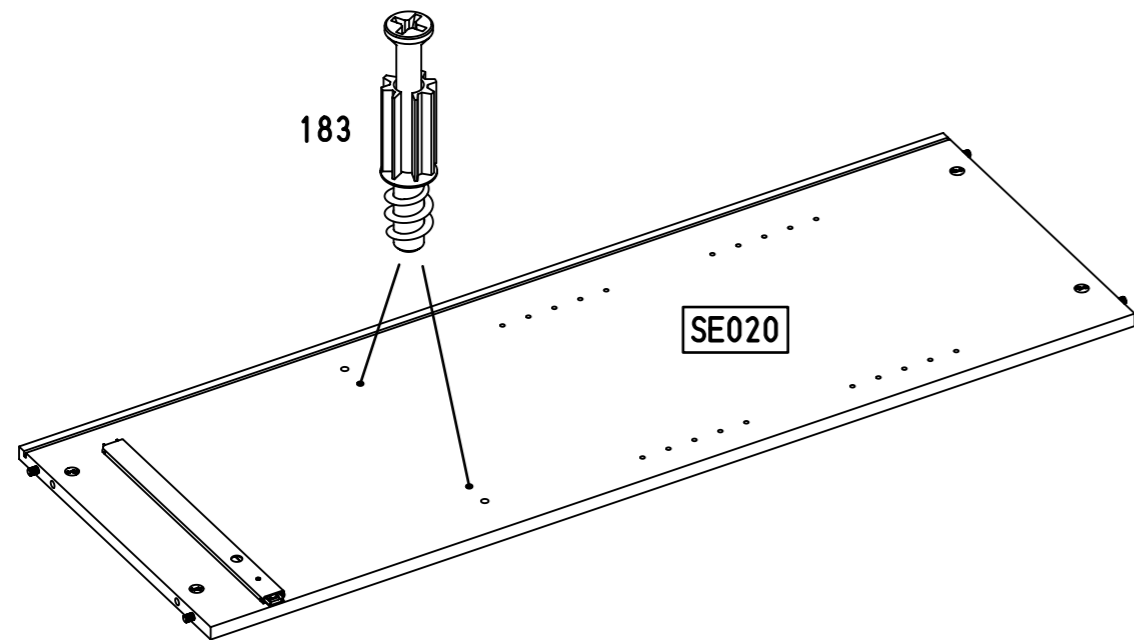
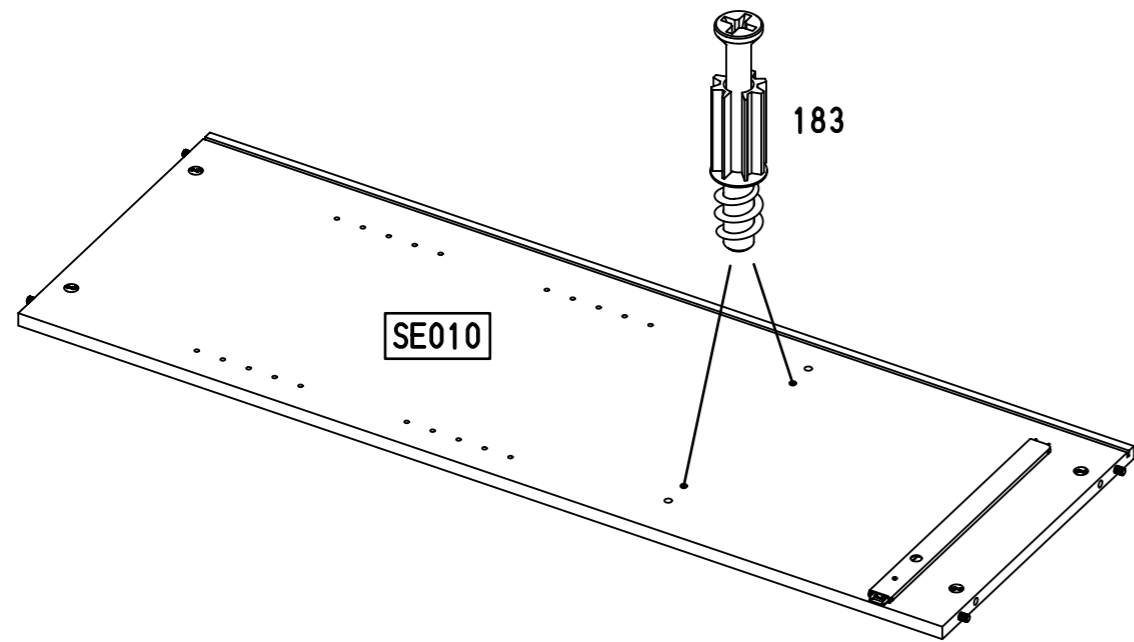
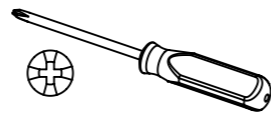
2. 227

13

4x 183

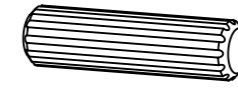


23/10x7,5

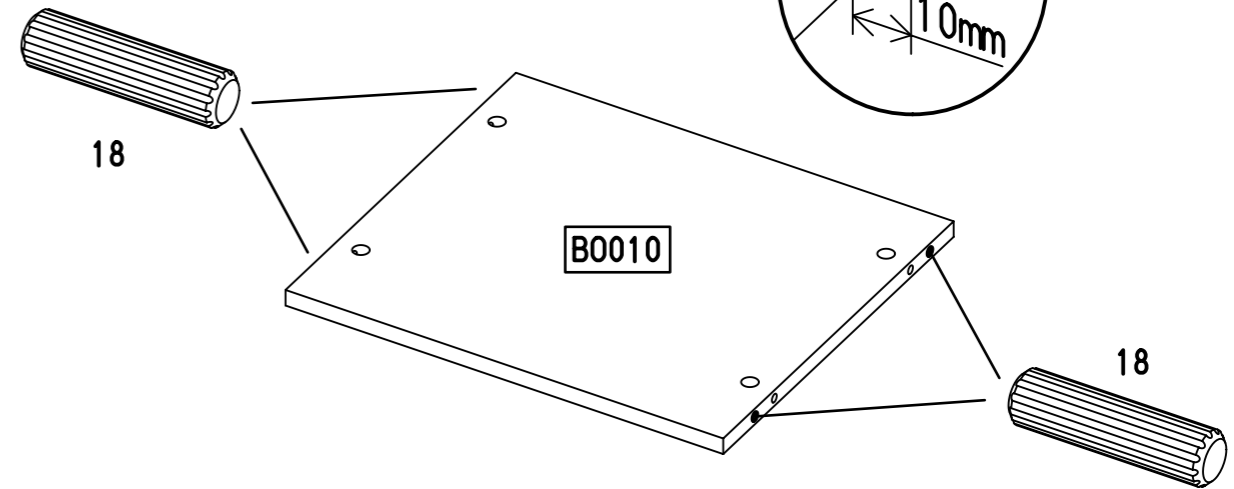
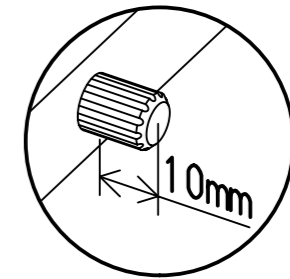


14

4x 18

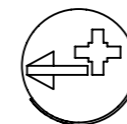
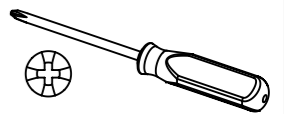
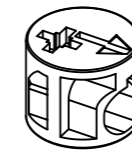


8x30



15

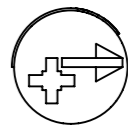
4x 349



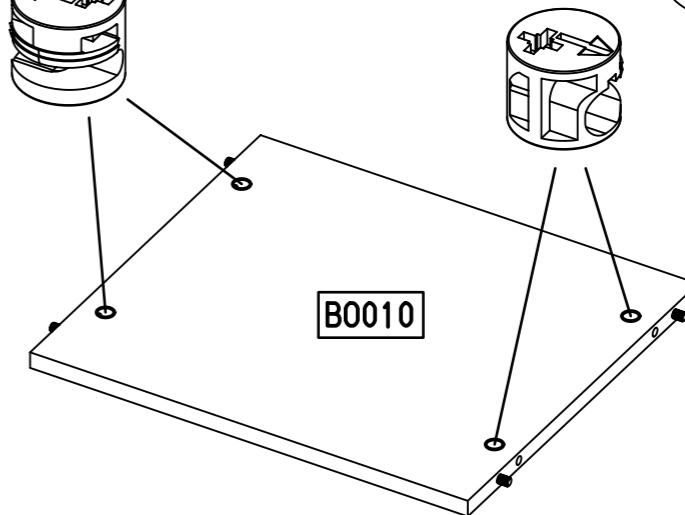
349



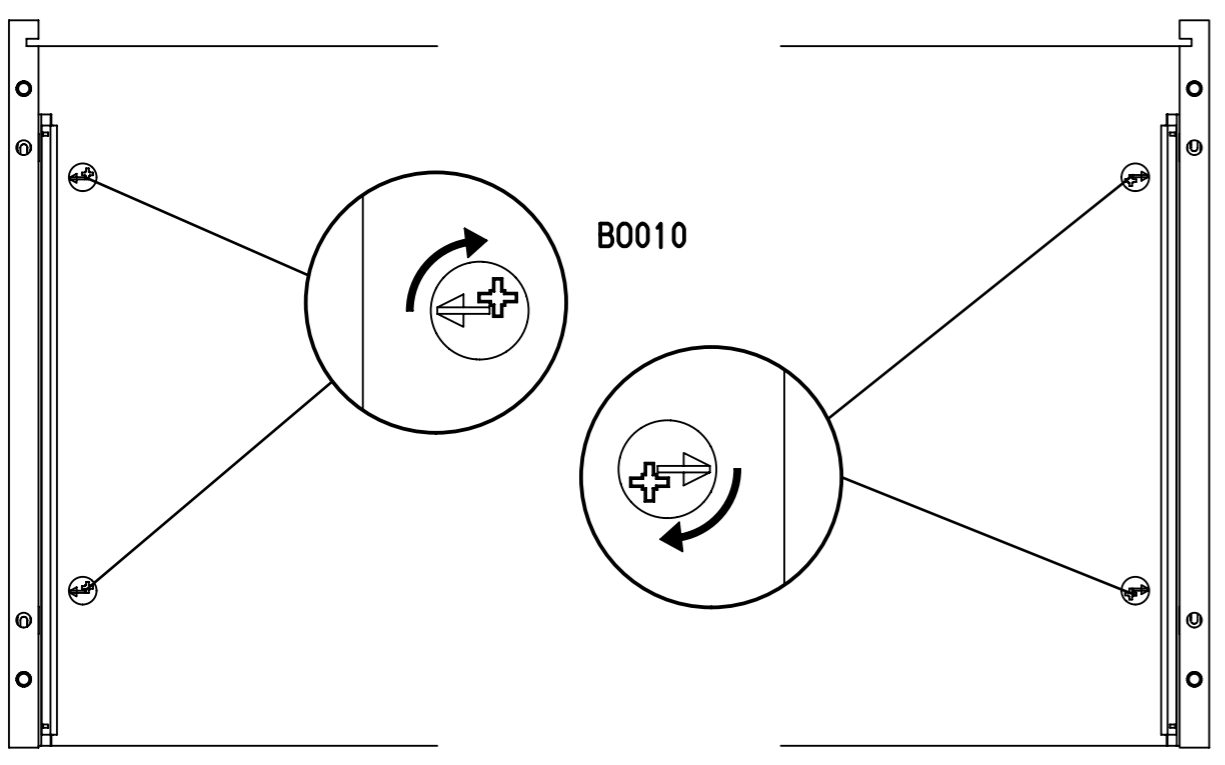
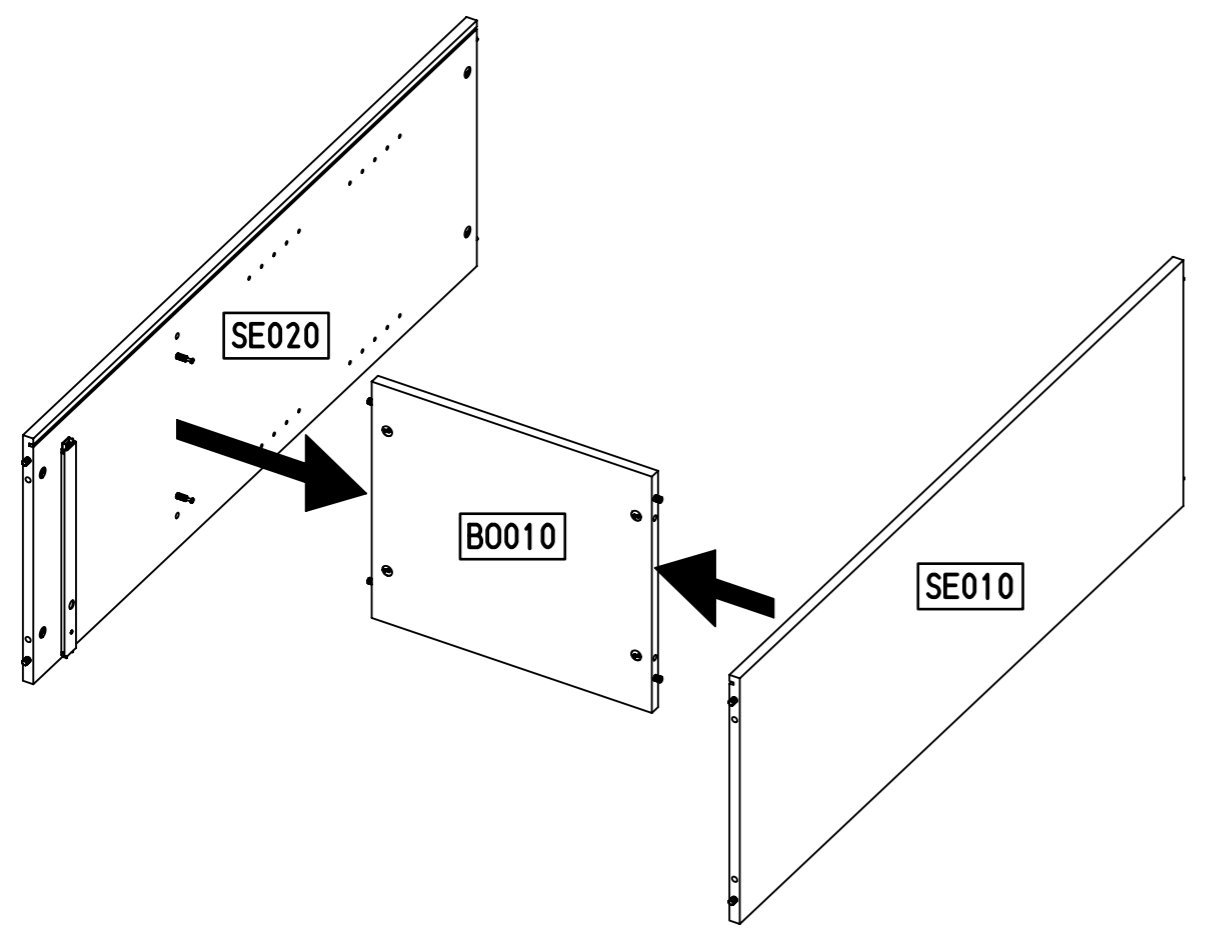
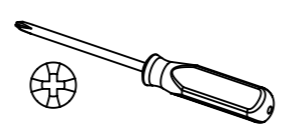
349



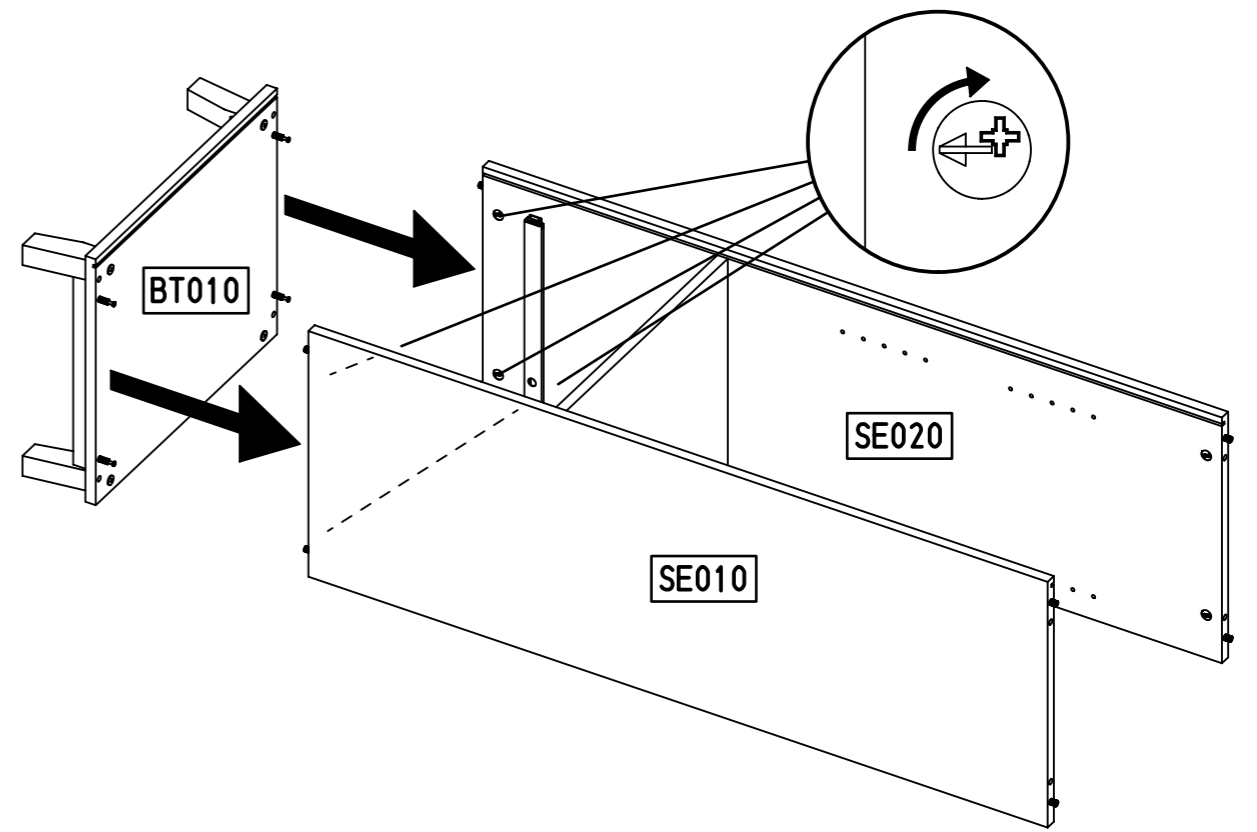
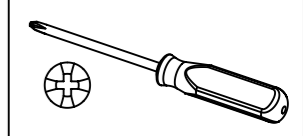
B0010



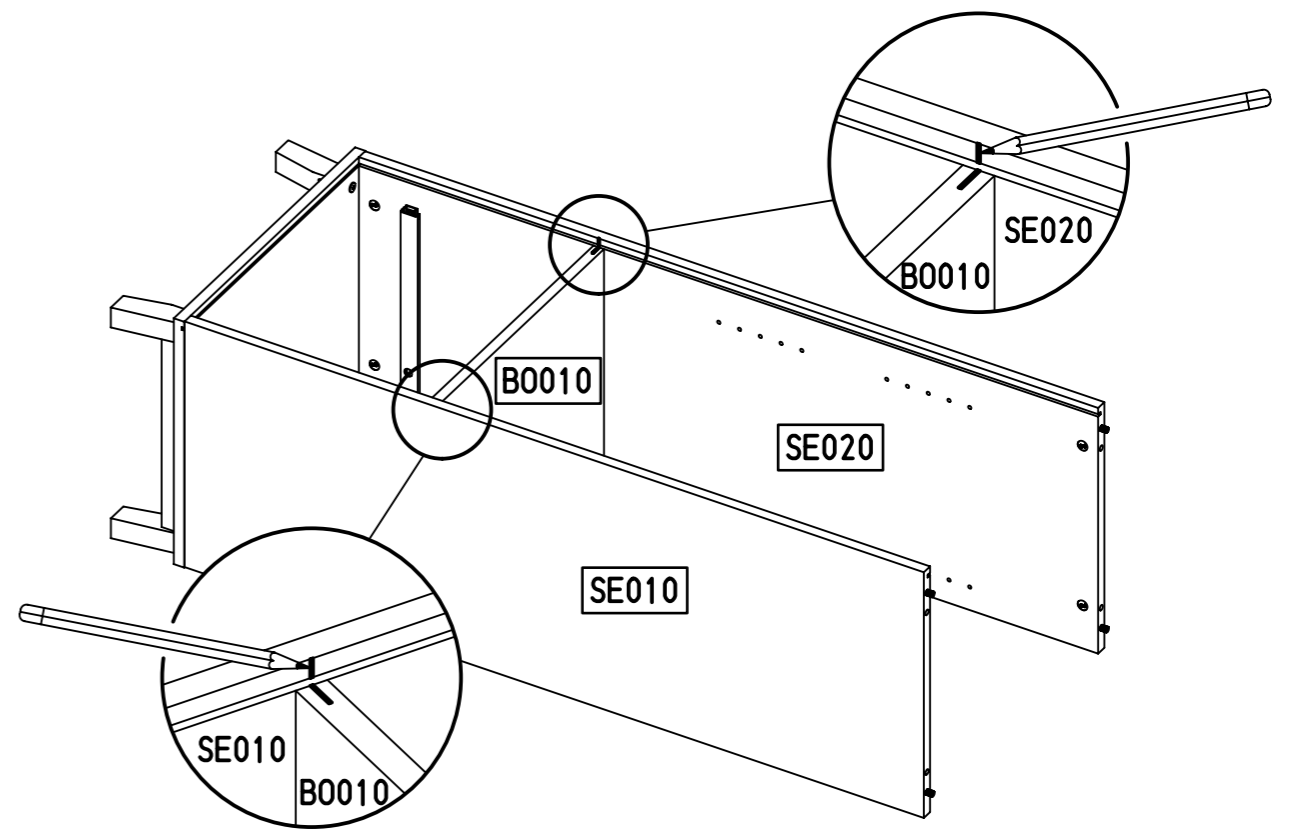
16



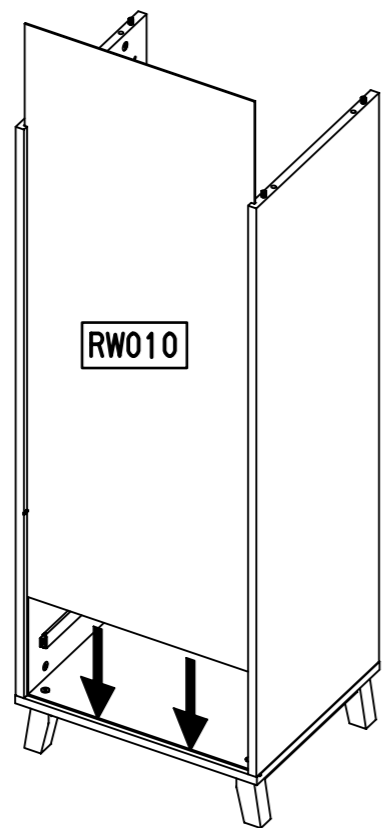
17



18

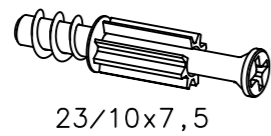


19

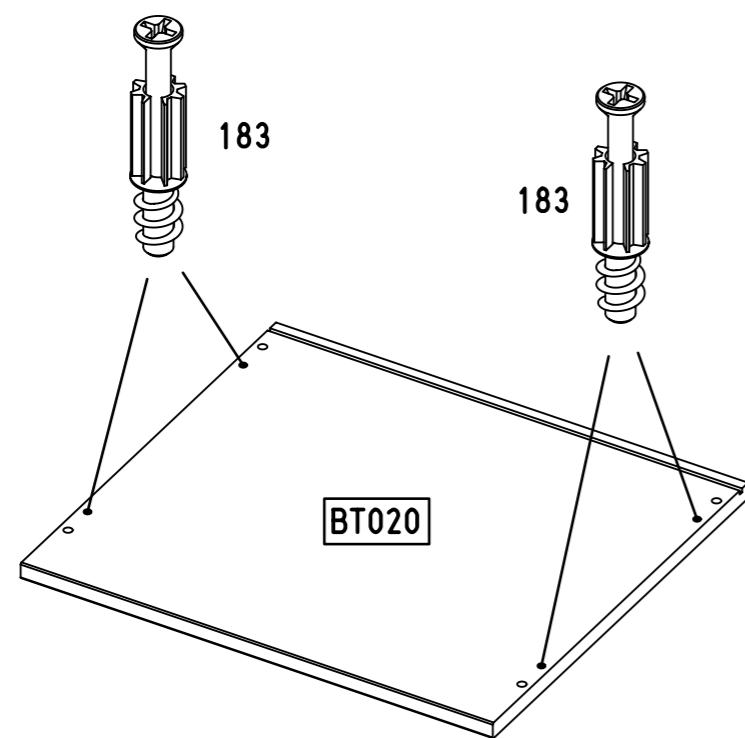
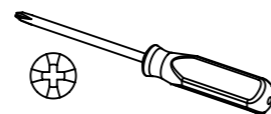


20

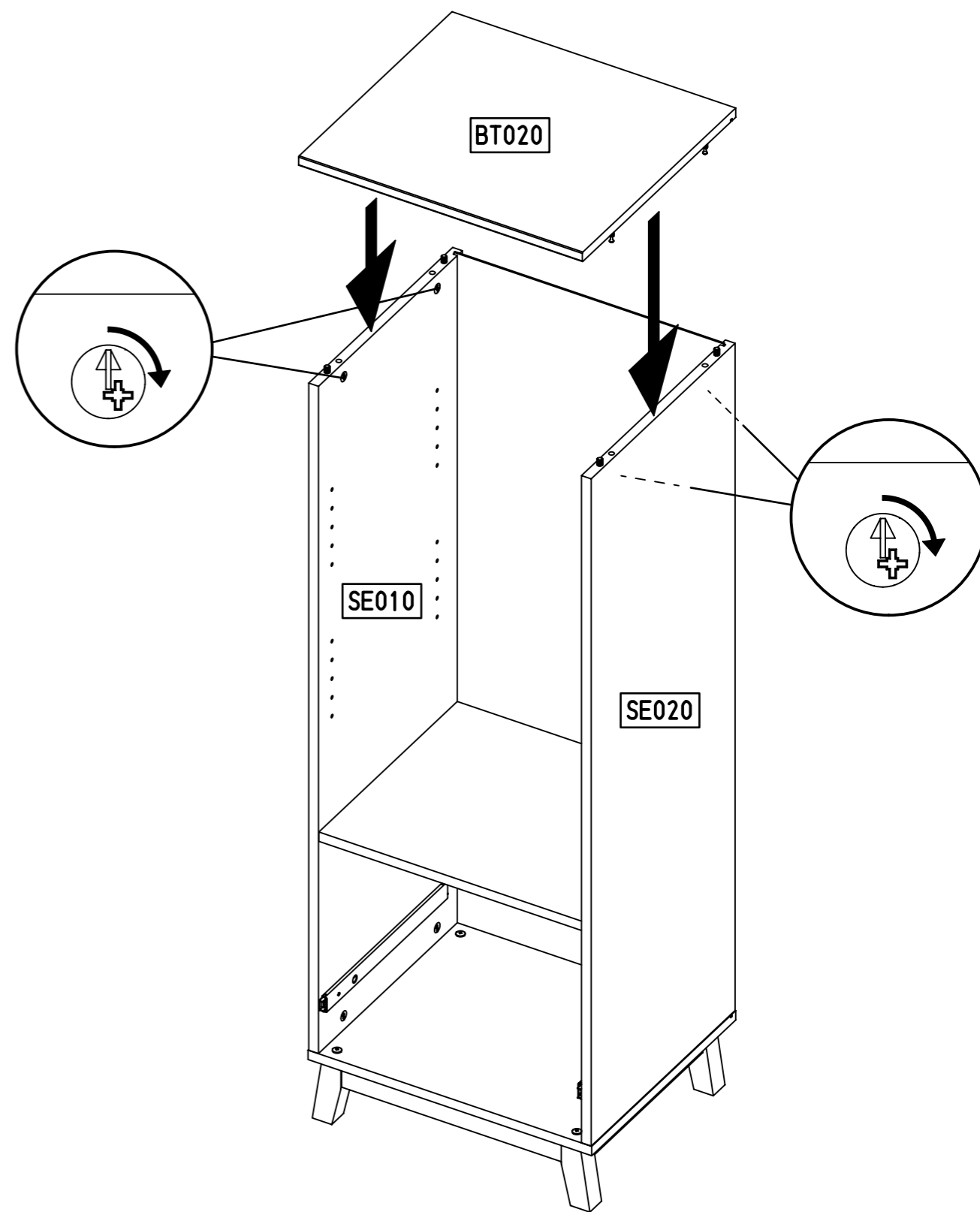
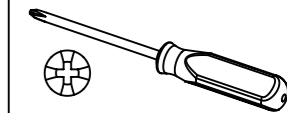
4x 183



23/10x7,5

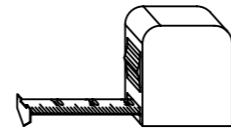
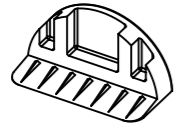


21

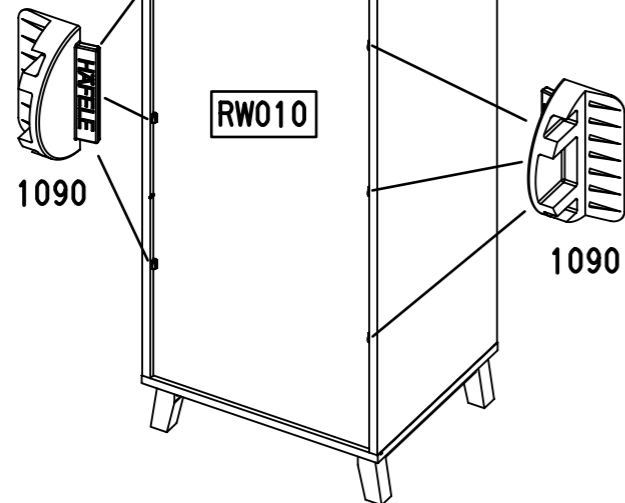
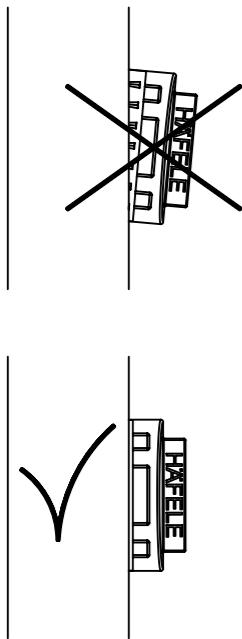
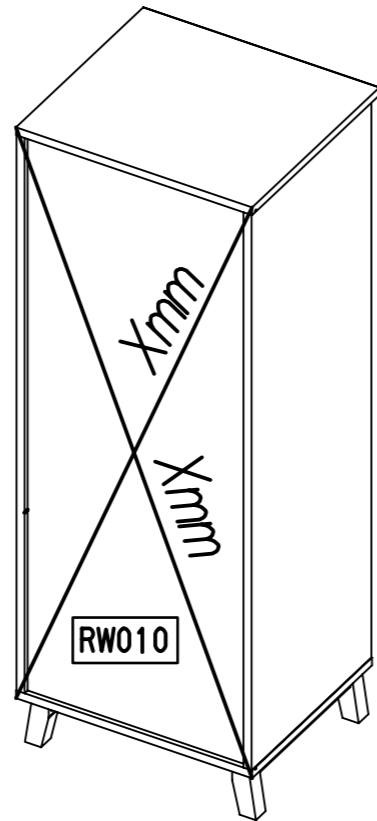
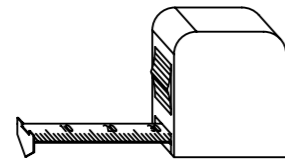


22

2x 1090

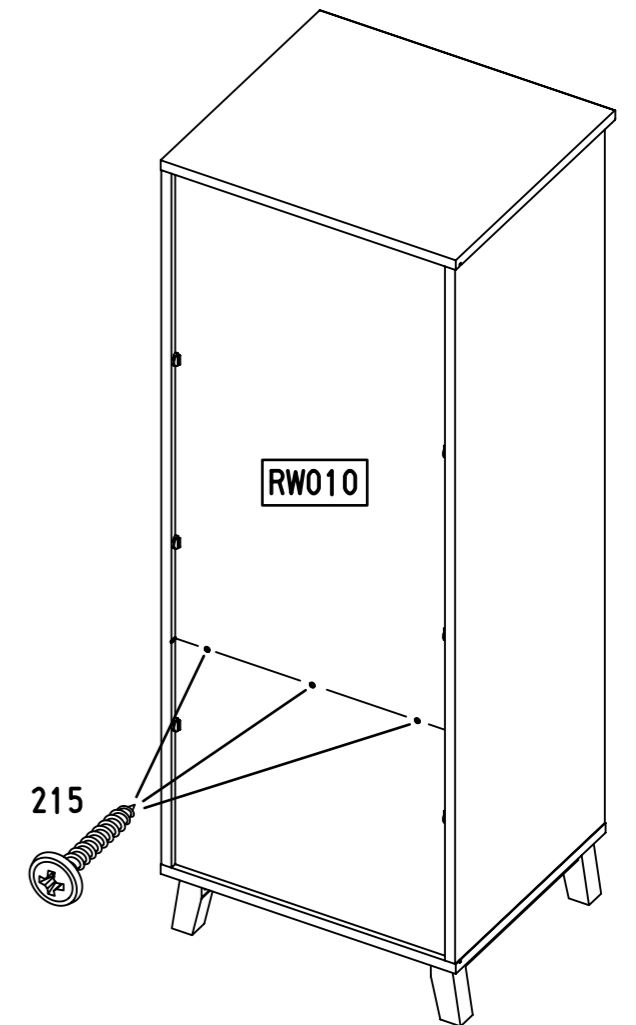
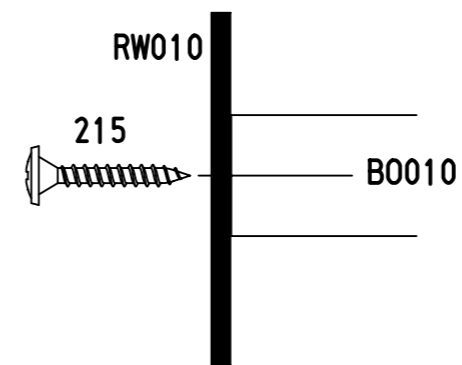
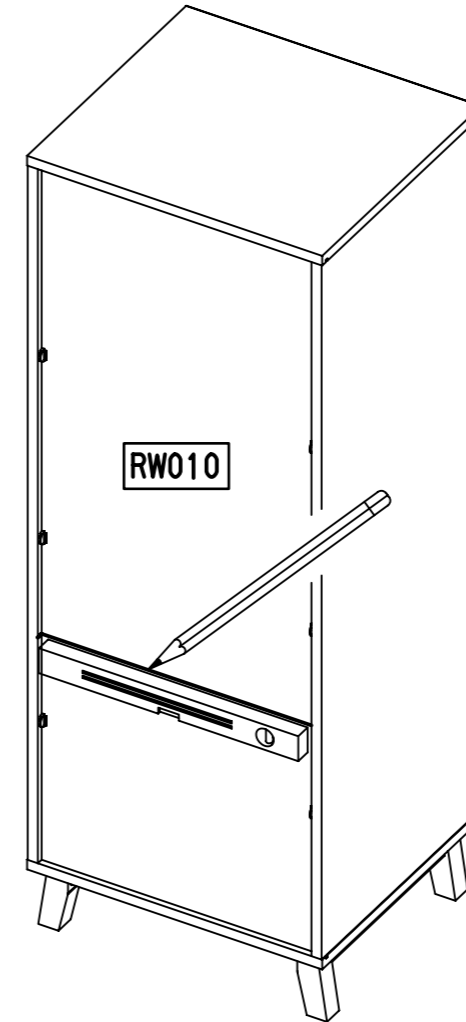
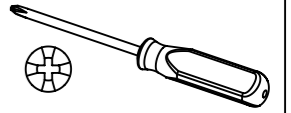
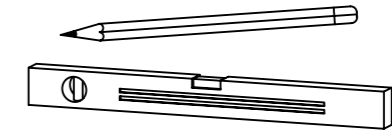
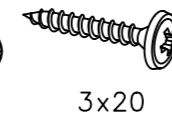


Xmm = Xmm



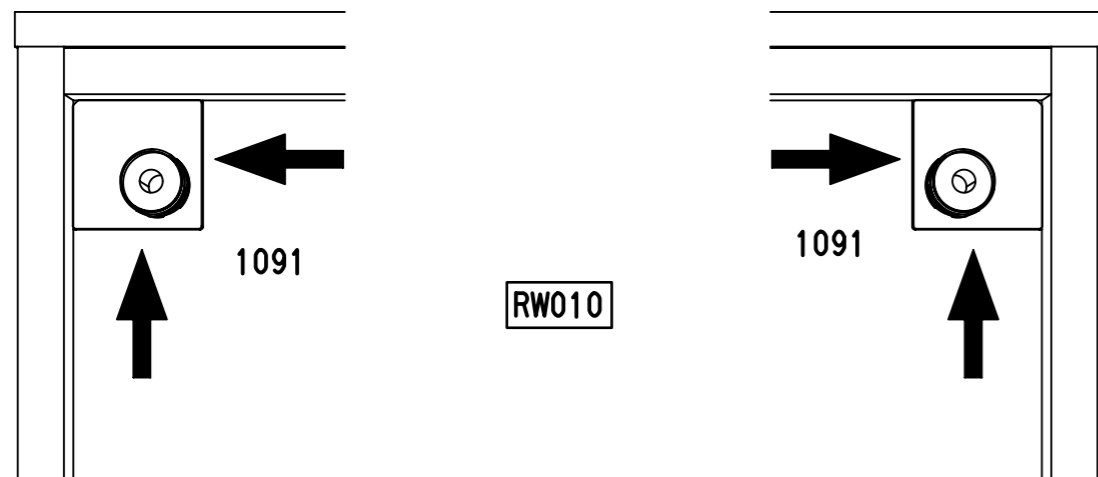
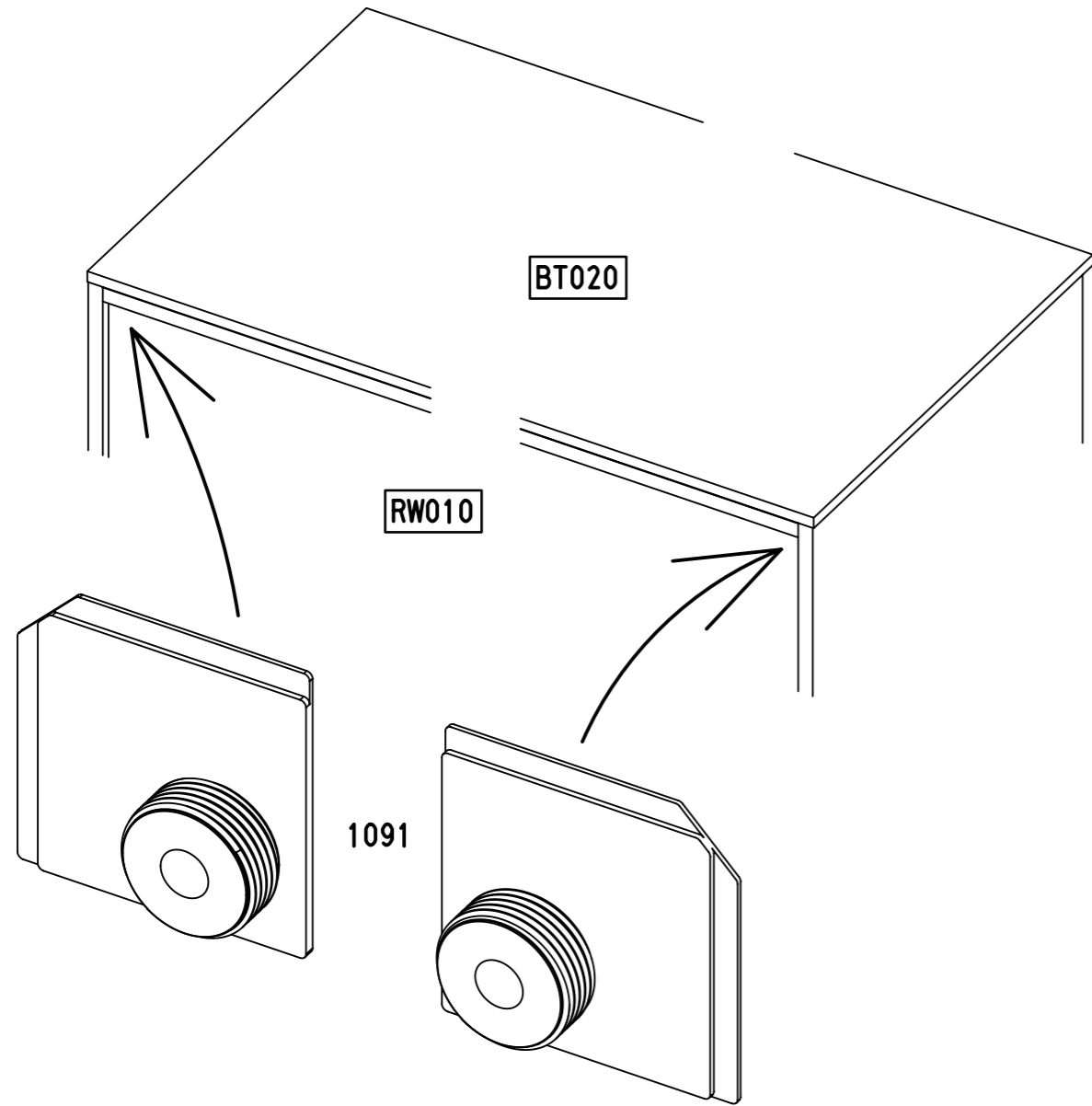
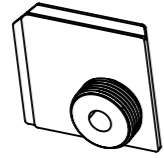
23

3x 215



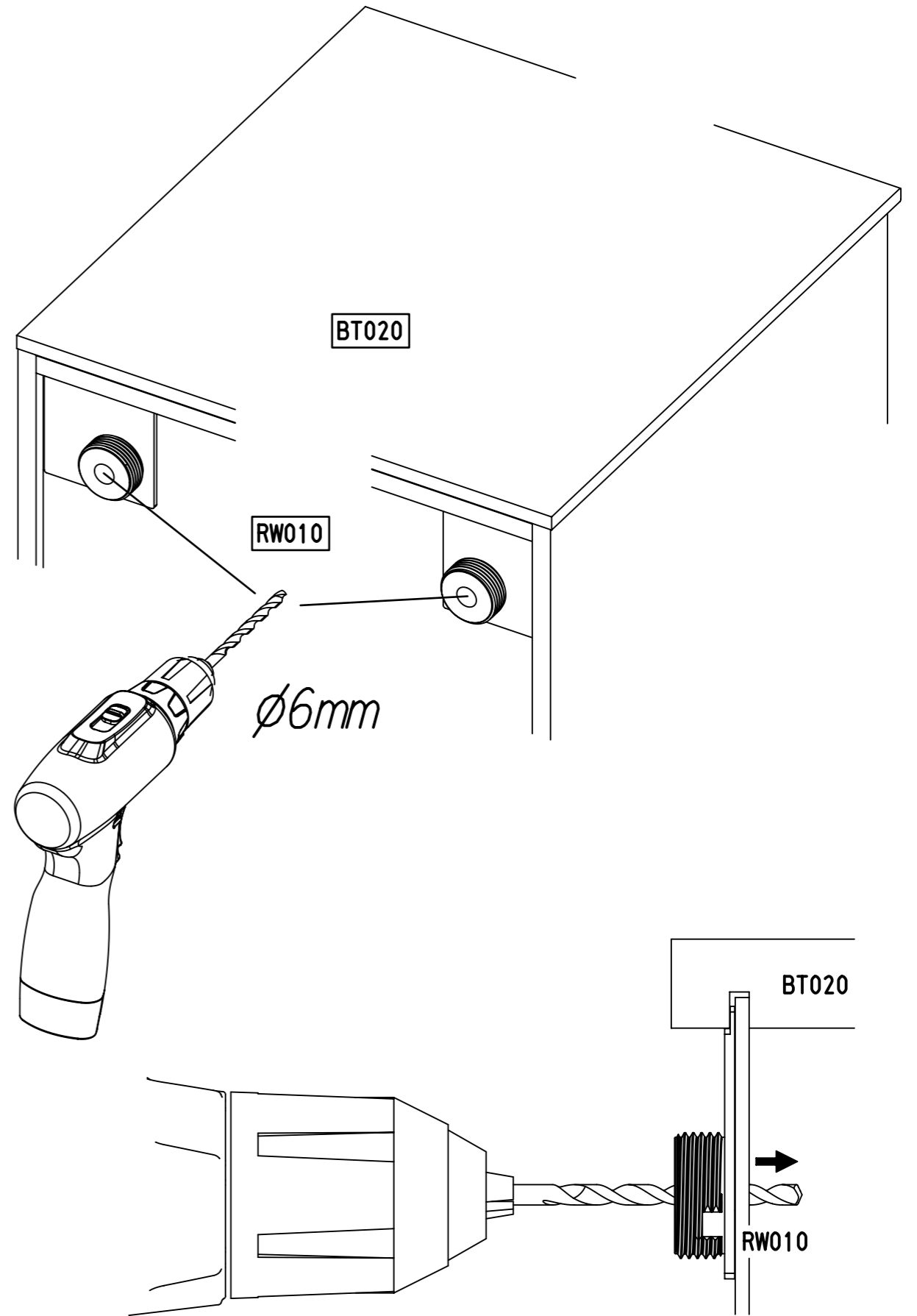
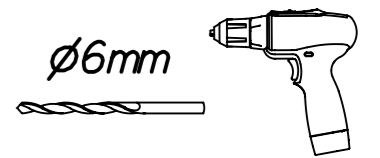
24

2x 1091



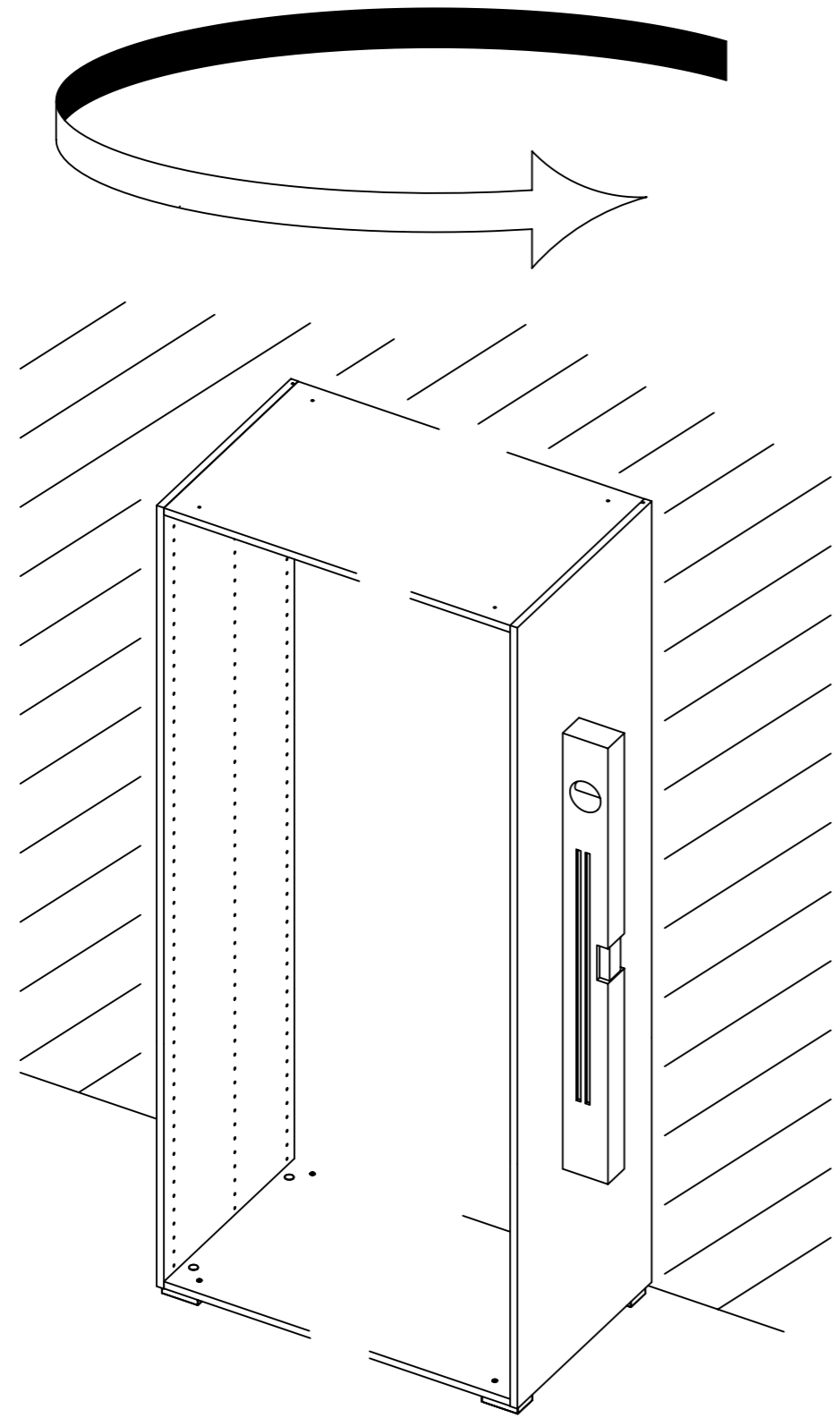
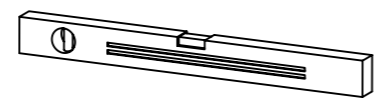
25

ø6mm



25.

26

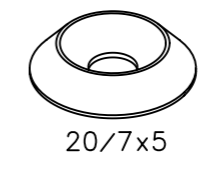


M2432

26.

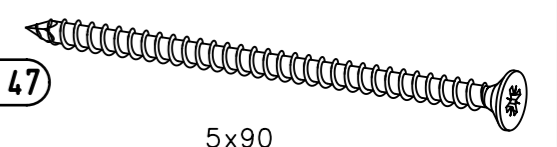
27

2x 1093

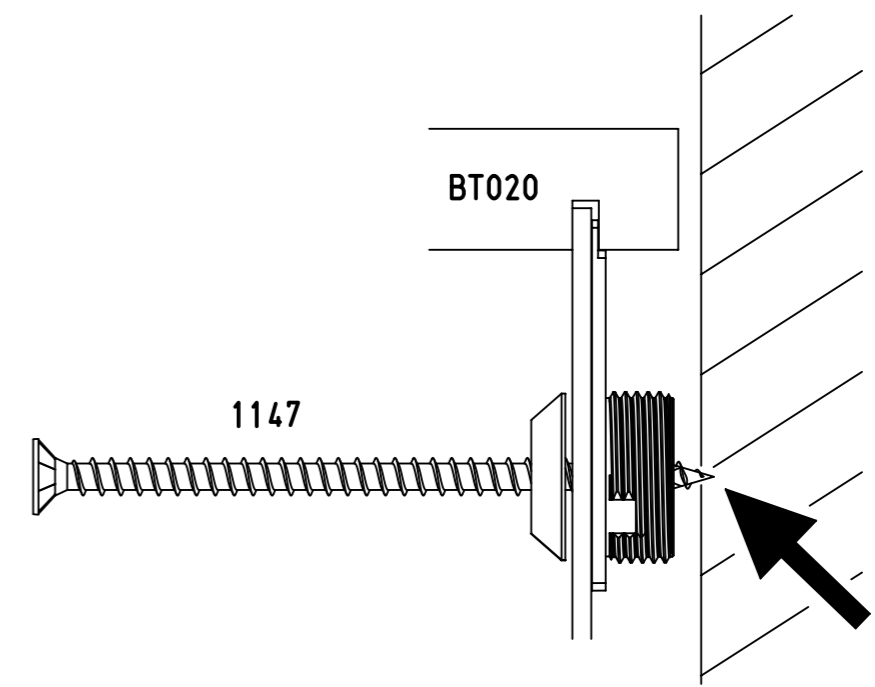
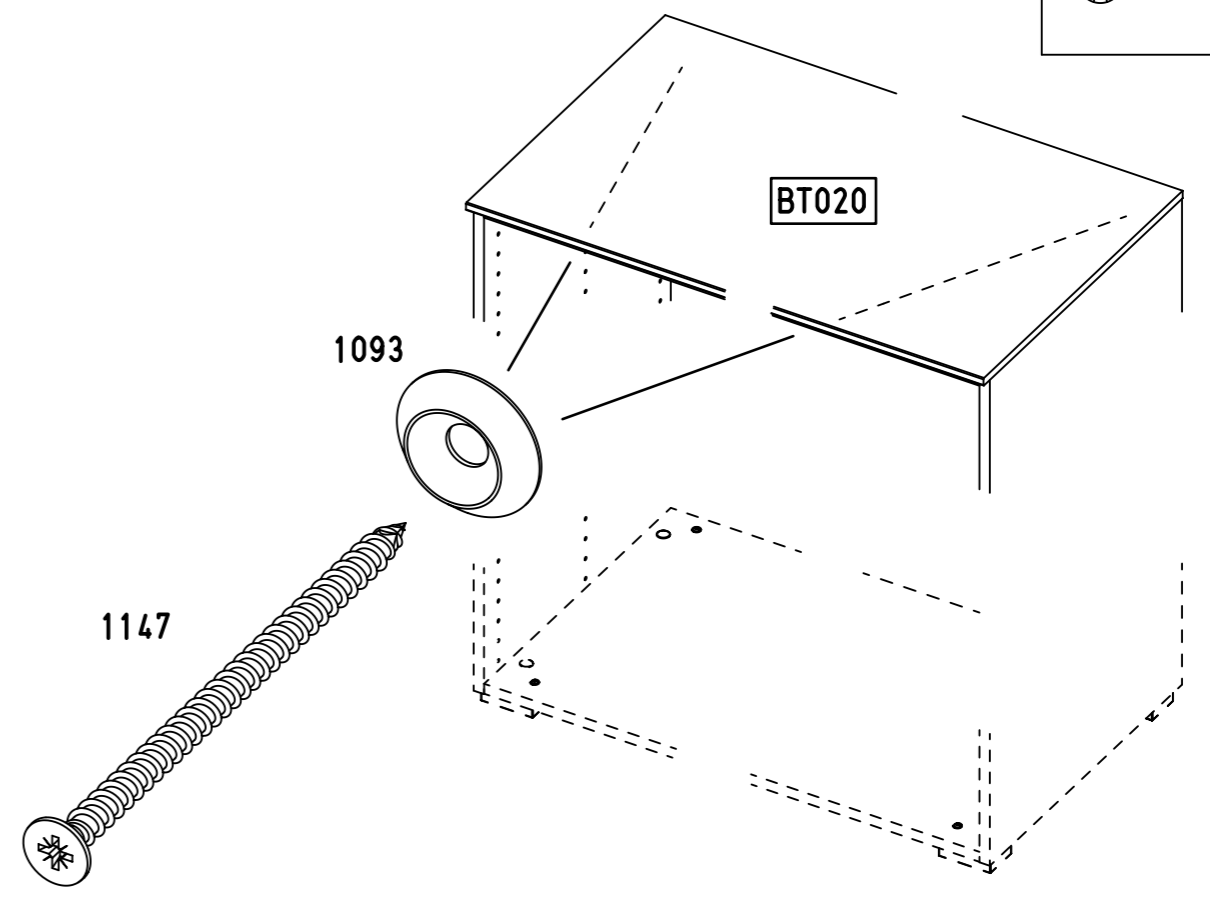
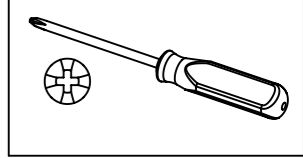


20/7x5

2x 1147

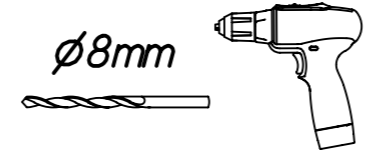


5x90

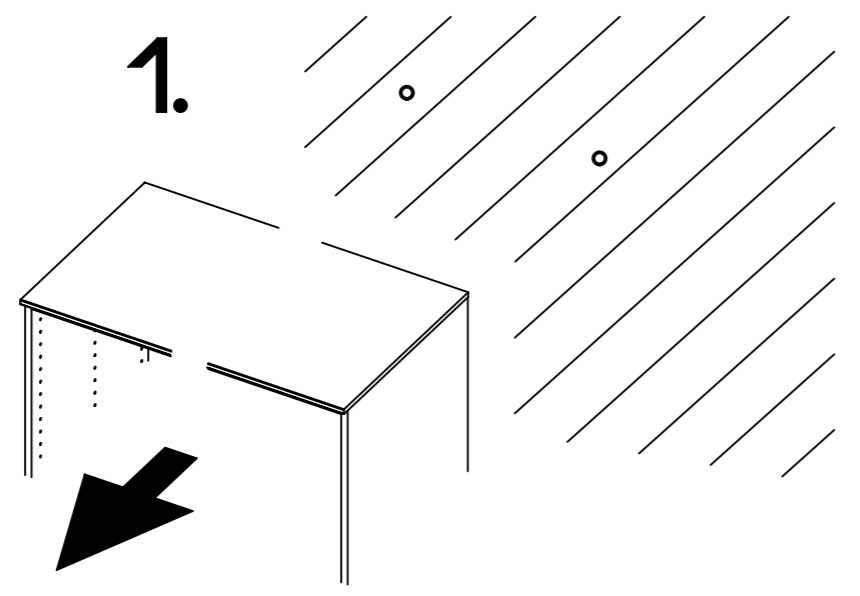


M2432

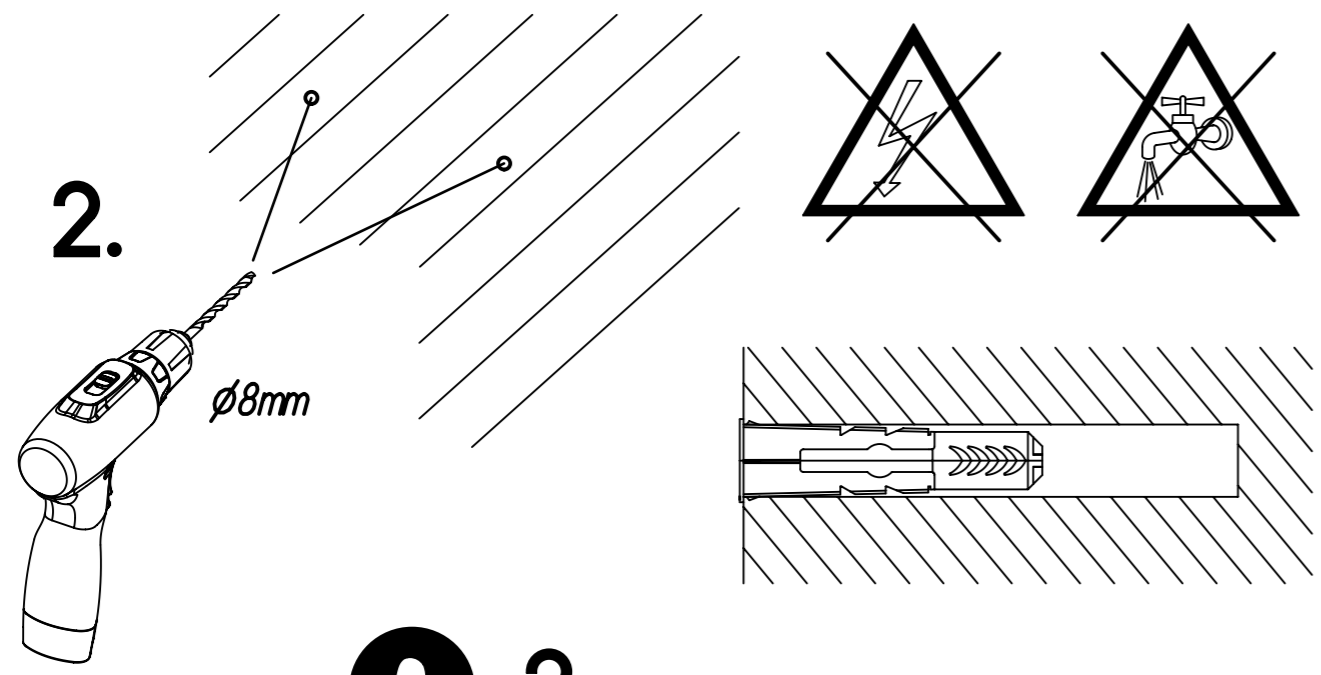
28



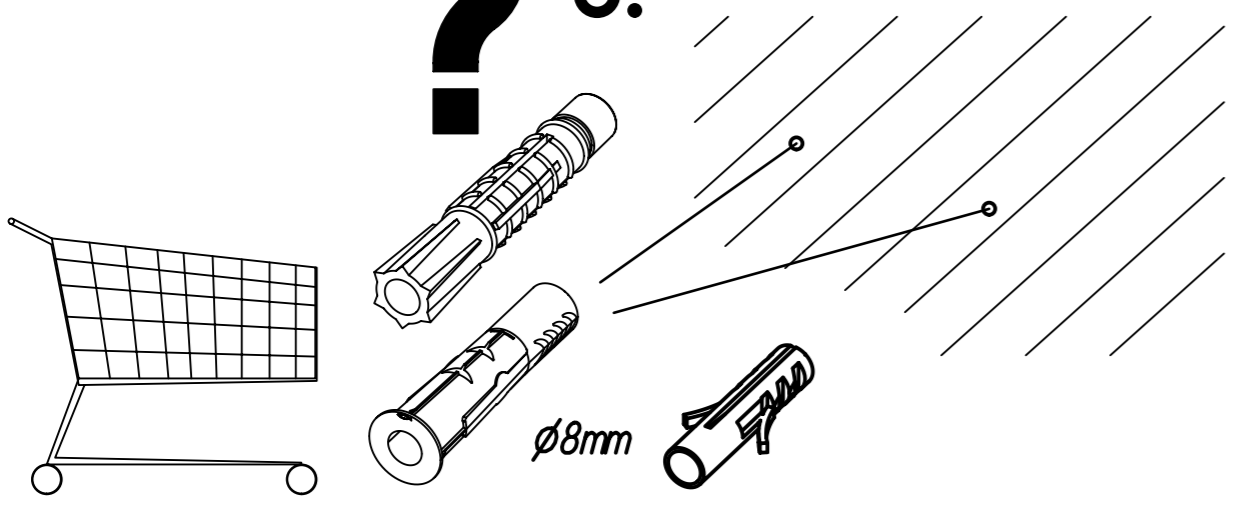
1.



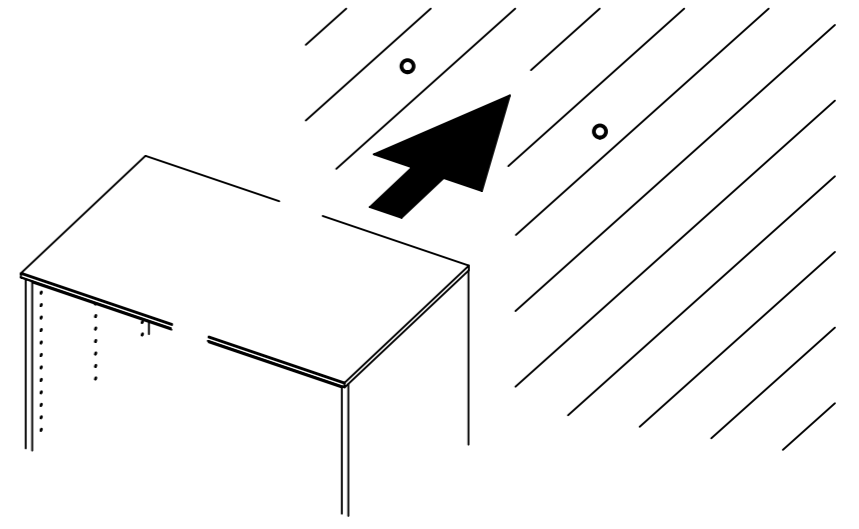
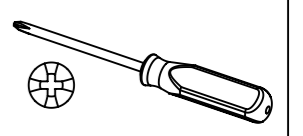
2.



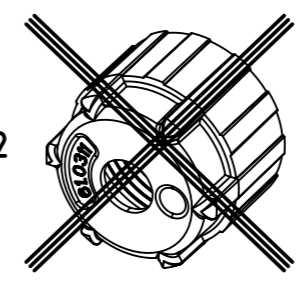
? 3.



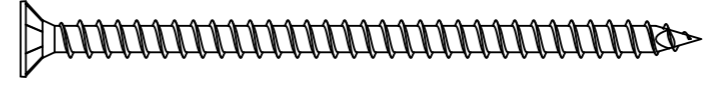
29



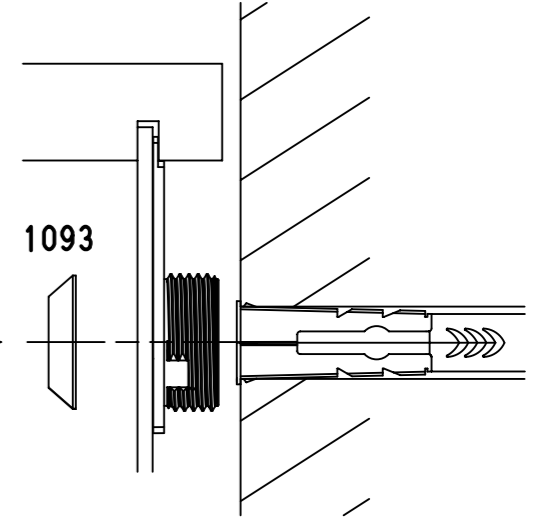
1092



1147



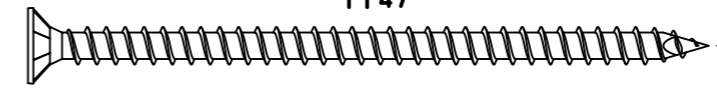
1093



10-15mm

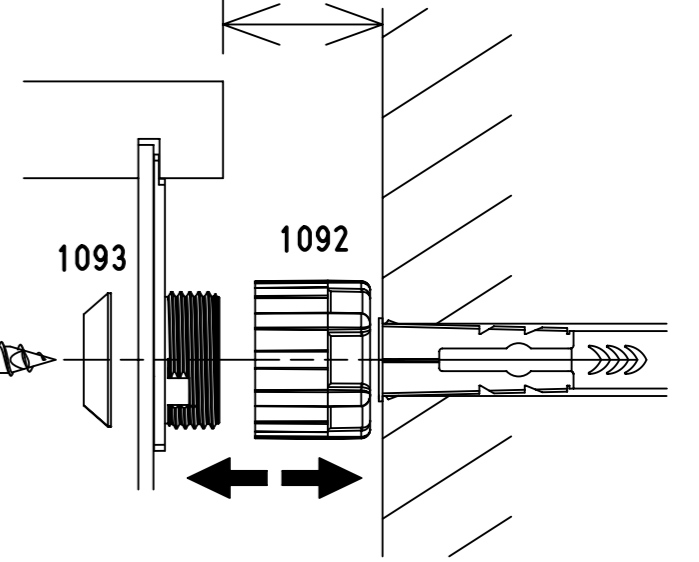


1147



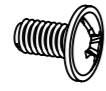
1093

1092

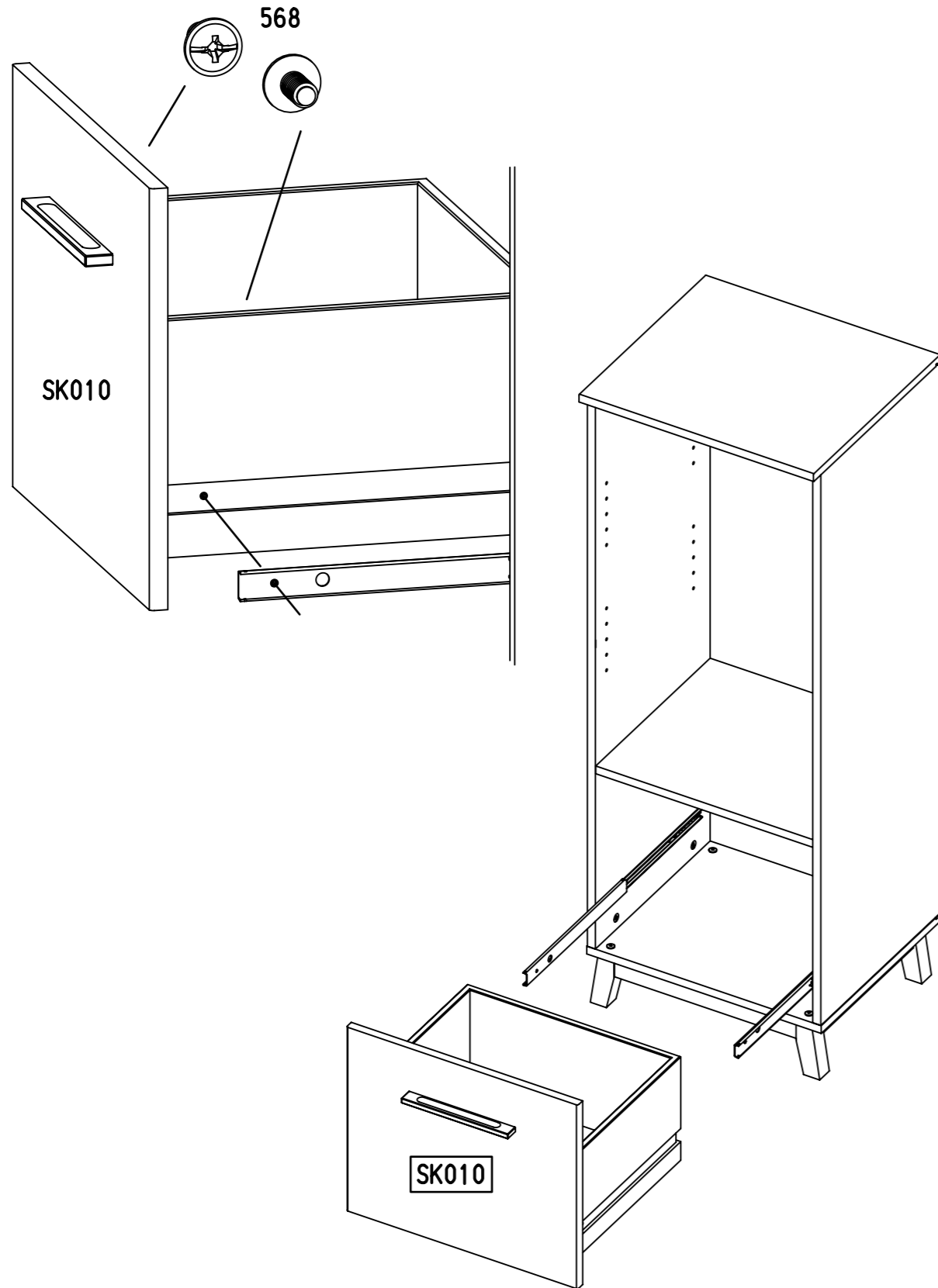
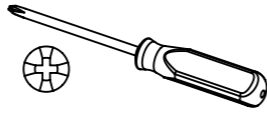


30

2x 568



M4x9



31

8x 1105

