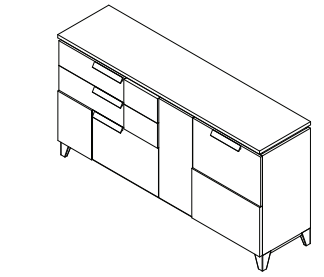
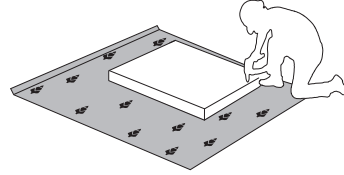
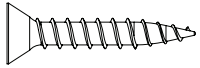


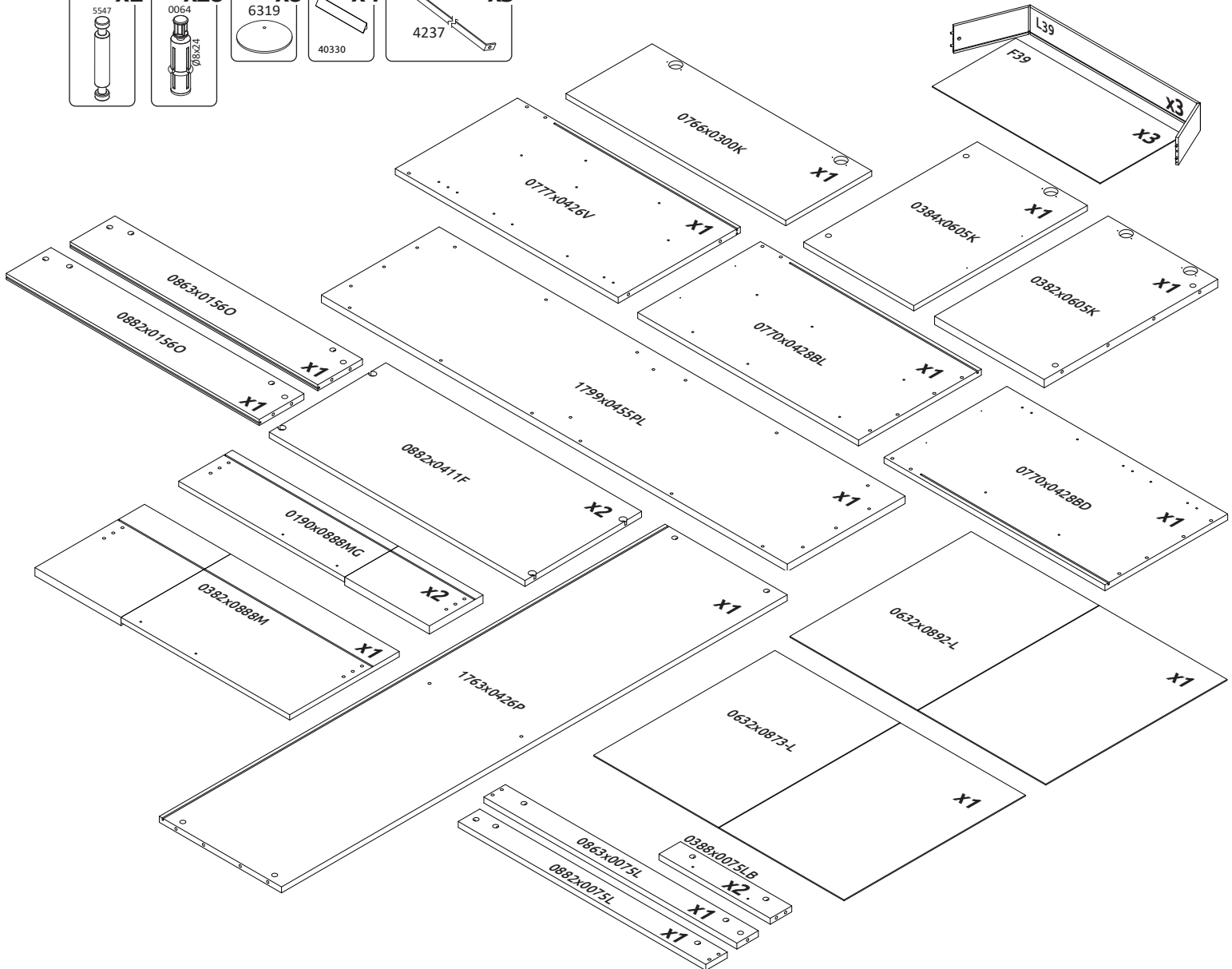


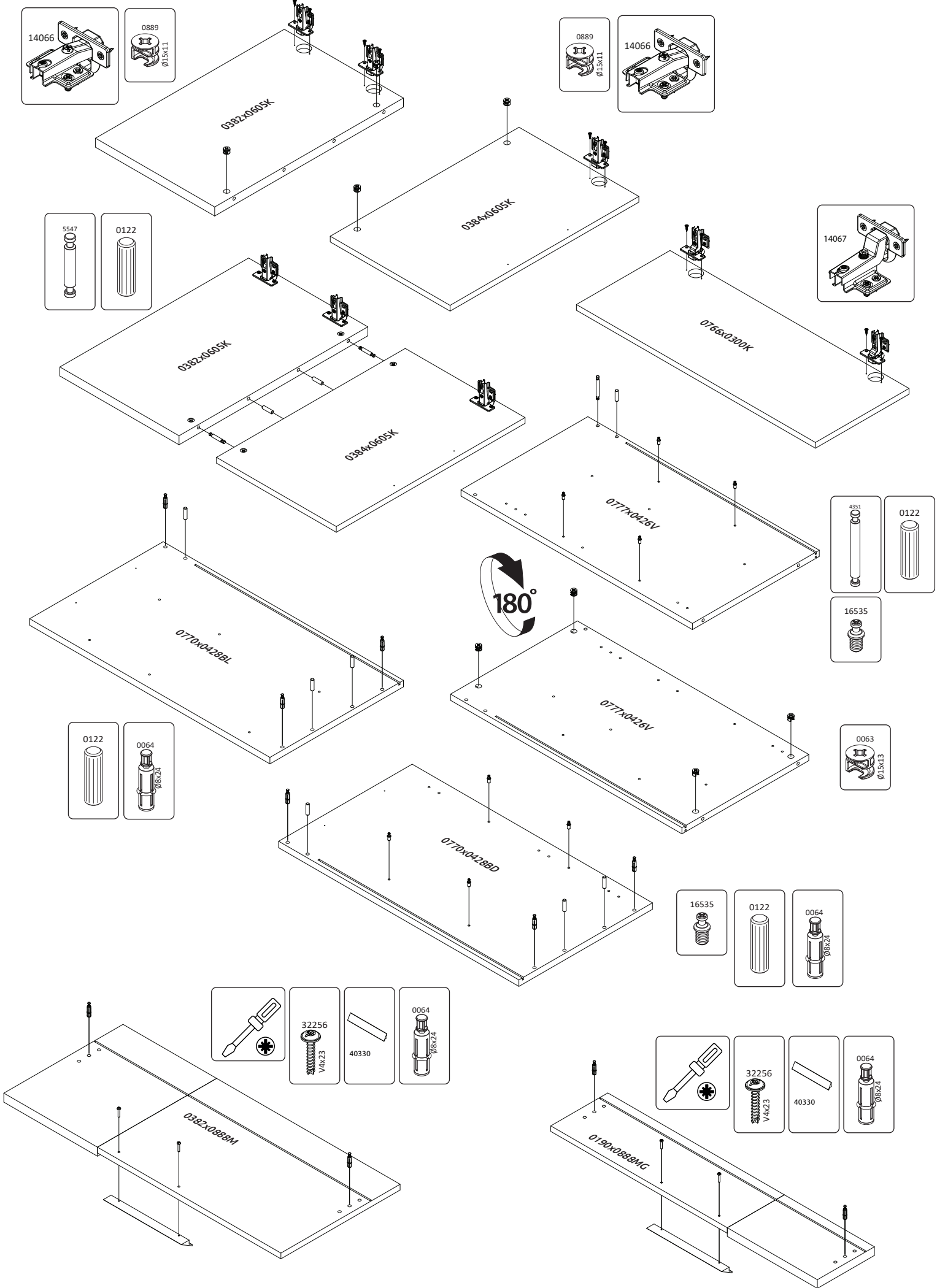
IMPORTANT - READ CAREFULLY - RETAIN FOR FUTURE REFERENCE
 WICHTIG - SORGFÄLTIG LESEN UND AUFBEWAHREN

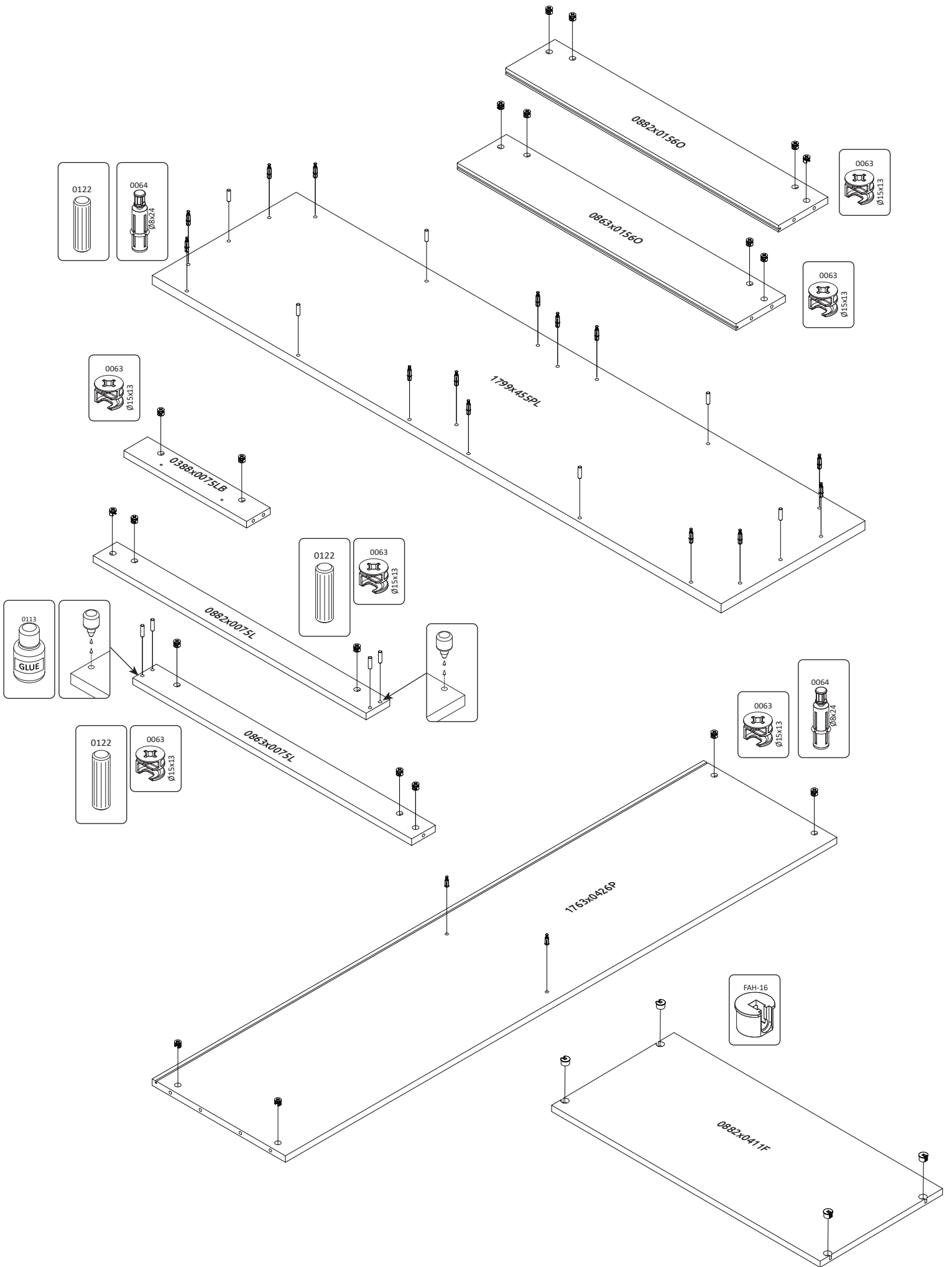


BRIO-K23
 LWH - 1799x455x940

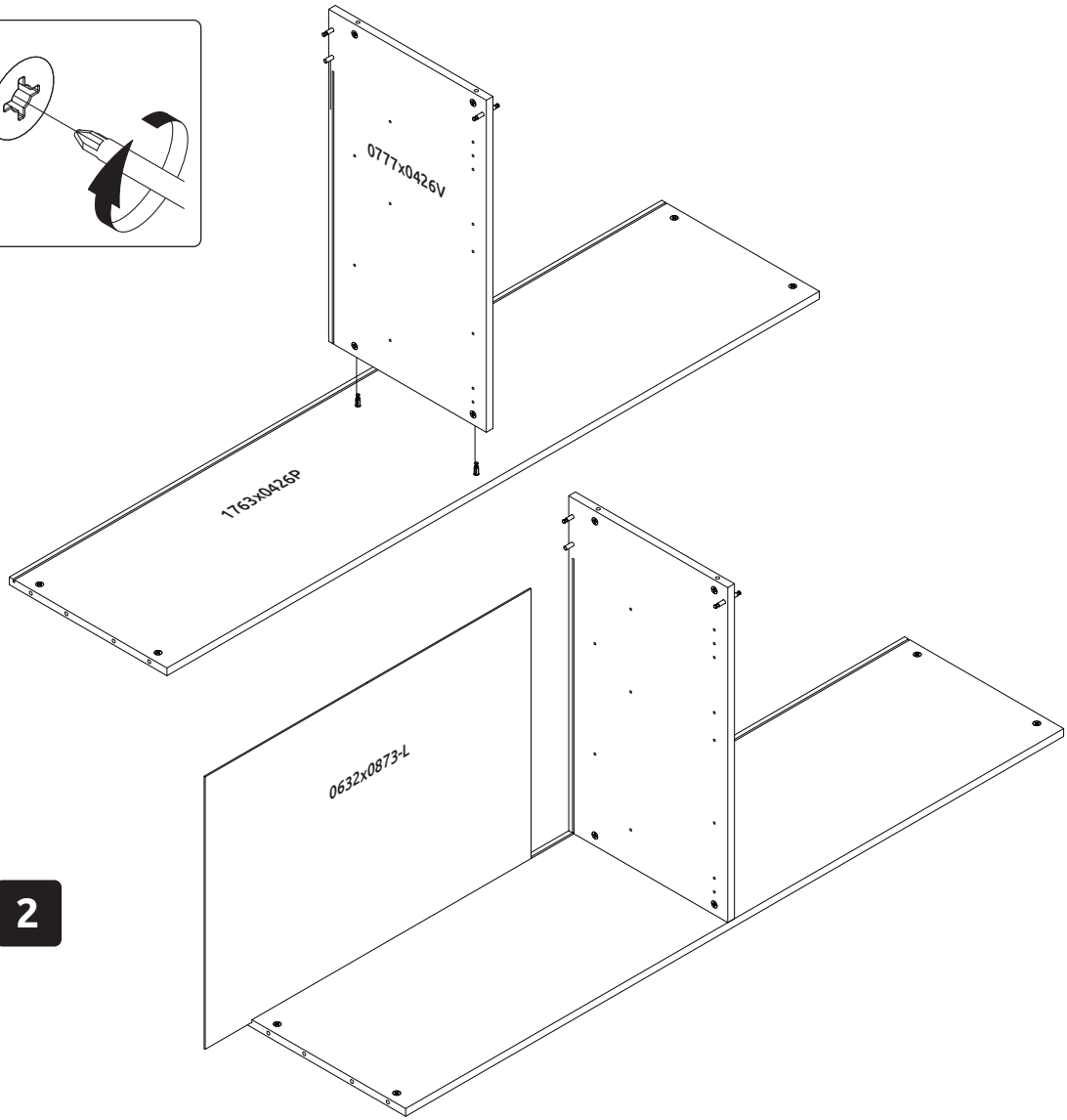
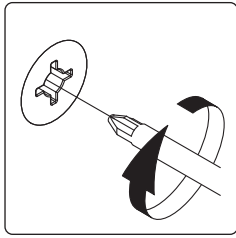
- | | | | | | | | | | | | | | |
|-----------------------------|------------------------------|-----------------------------|-----------------------------|----------------------------|---------------------------|-----------------------------|--------------------|-----------------------------|-----------------------------|------------------------------|---------------------|--------------------|--------------------|
| x6
0094
3.5x16 | x16
0095
3.5x20 | x12
102
6.3x13 | x6
1046
3.5x12 | x16
0096
4x18 | x4
0099
4x30 | x8
32256
V4x23 | x20
0122 | x6
0065
Ø15x10 | x4
0889
Ø15x11 | x26
0063
Ø15x13 | x8
FAH-16 | x8
16535 | x16
0108 |
| x2
0113
GLUE | x5
0121
1.4x25 | x3
40331 | x2
14067 | x2
14066 | x8
EKSK4-NE | x4
EKSK4-BE | x6
EKSK | x2
4351 | x2
285mm
40341 | x2
1656mm
40342 | x1 | | |
| x2
5547 | x28
0064
Ø8x24 | x8
6319 | x4
40330 | x3
4237 | | | | | | | | | |



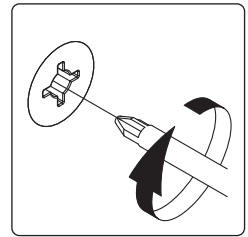
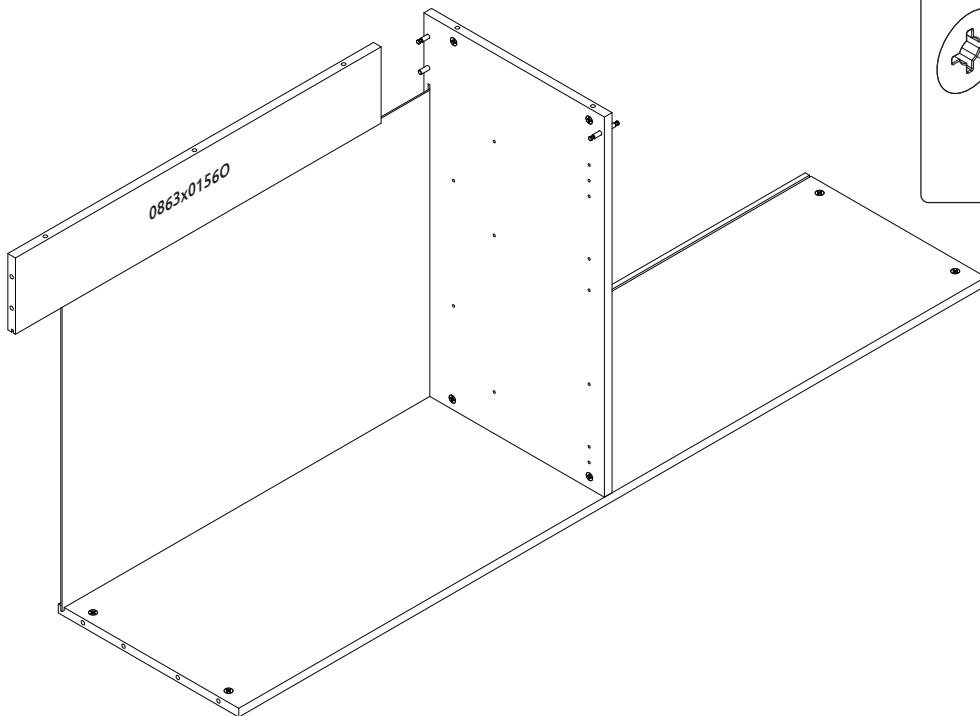




1

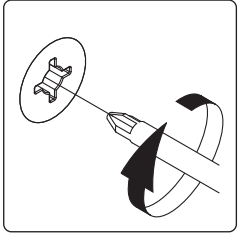
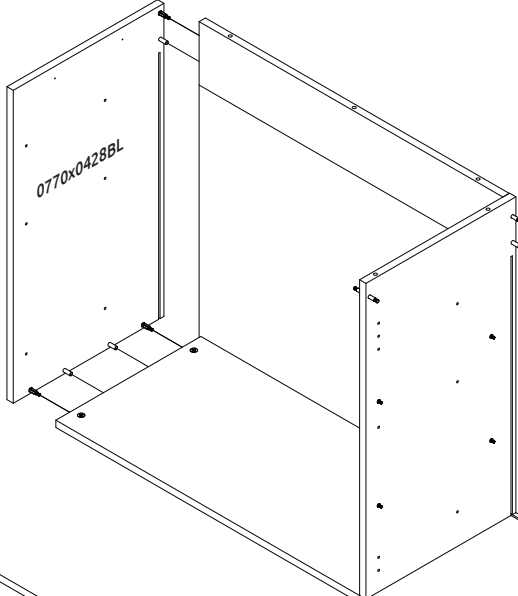


2

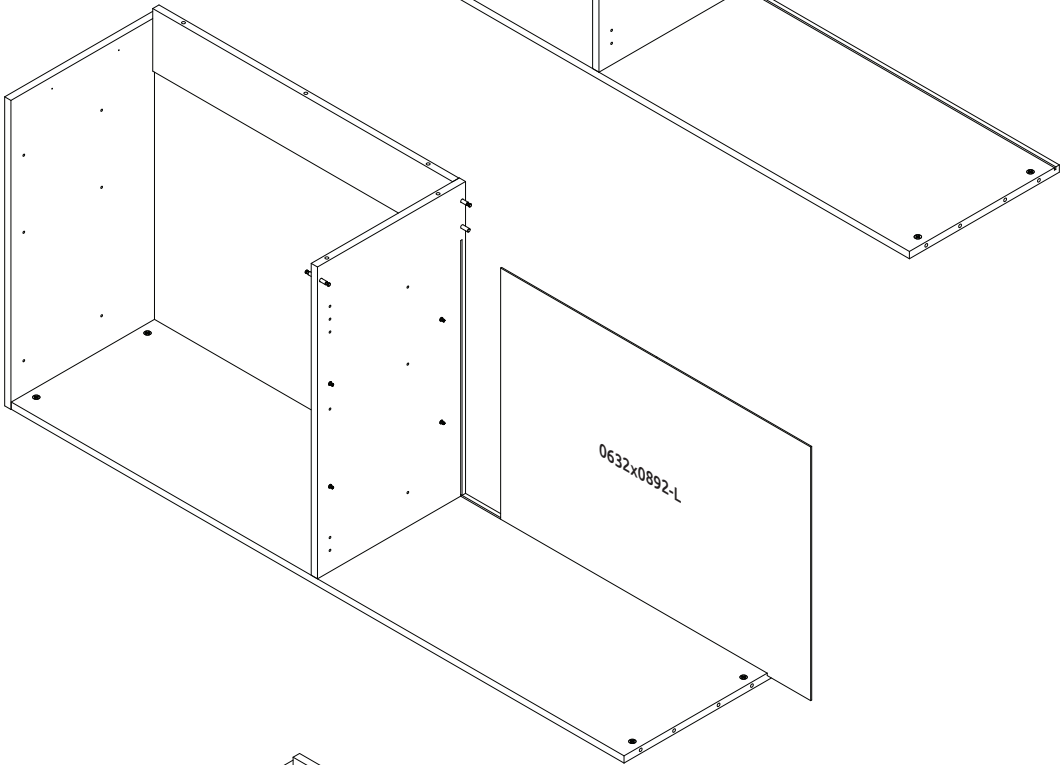


3

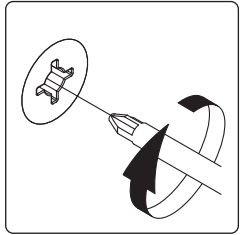
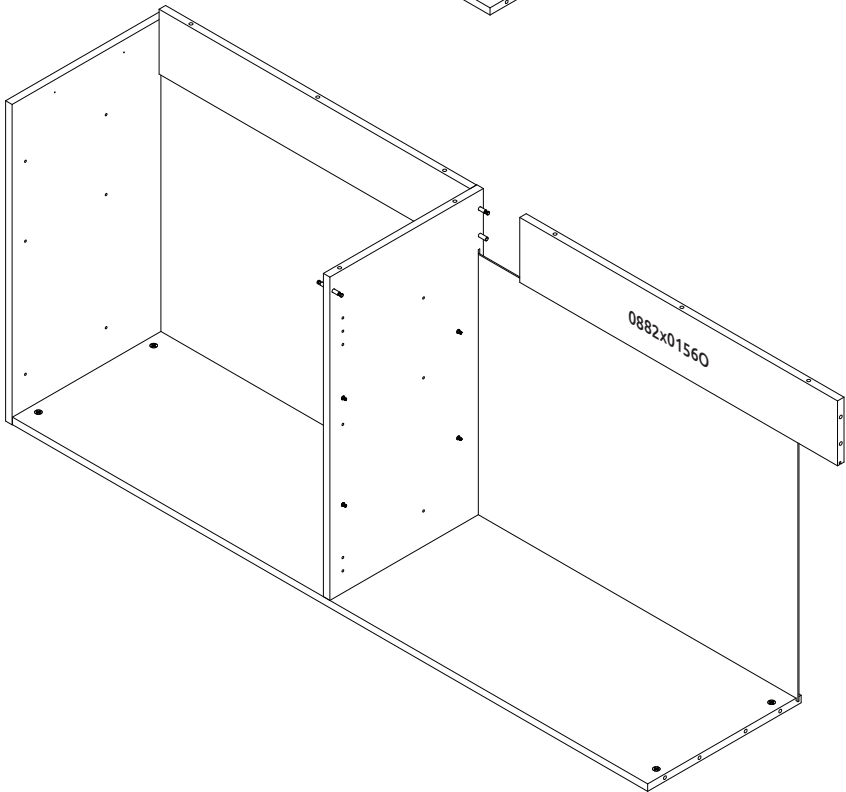
4

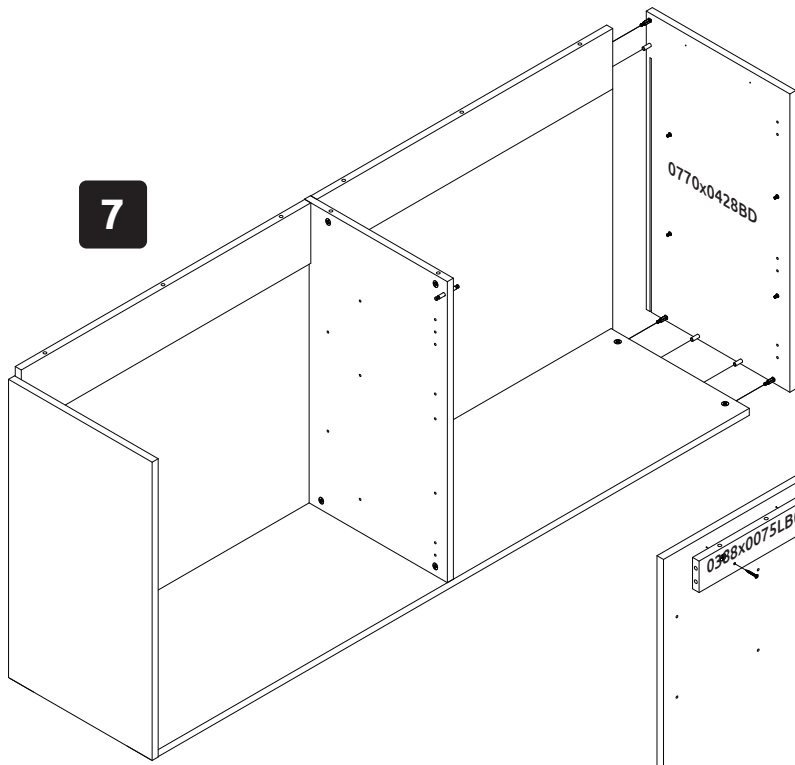


5

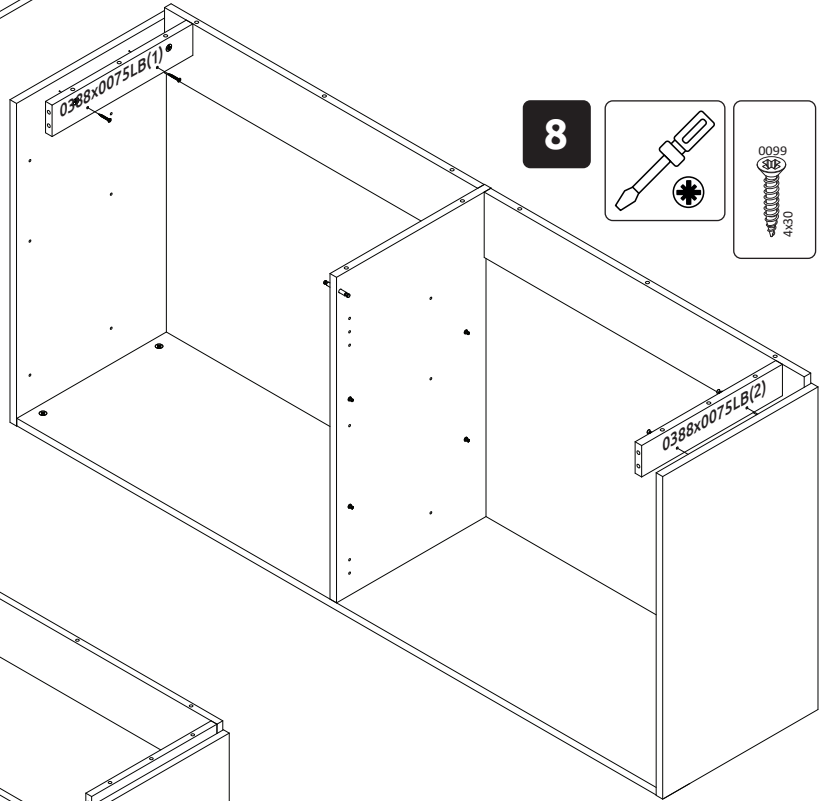
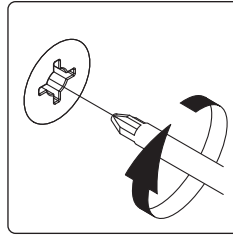


6

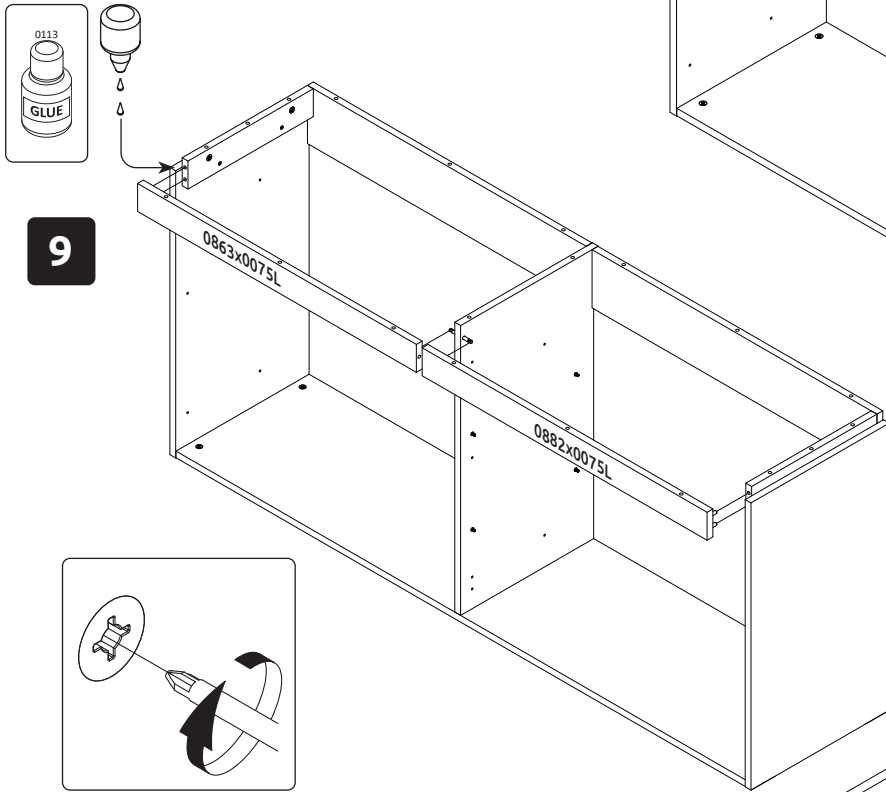
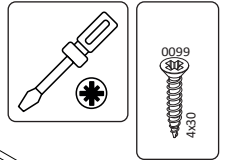




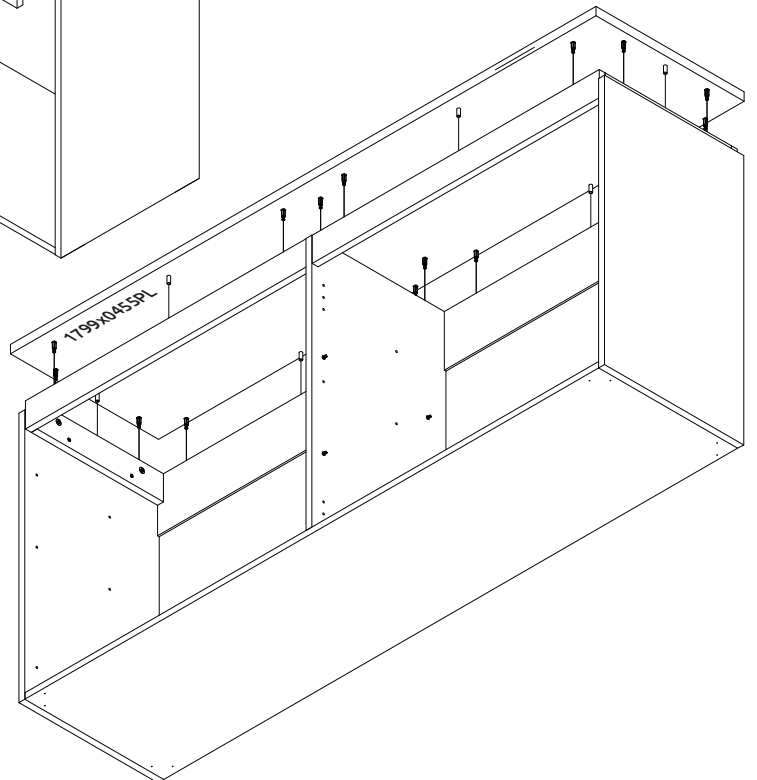
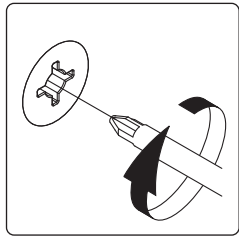
7



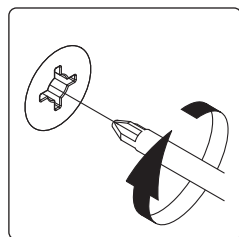
8

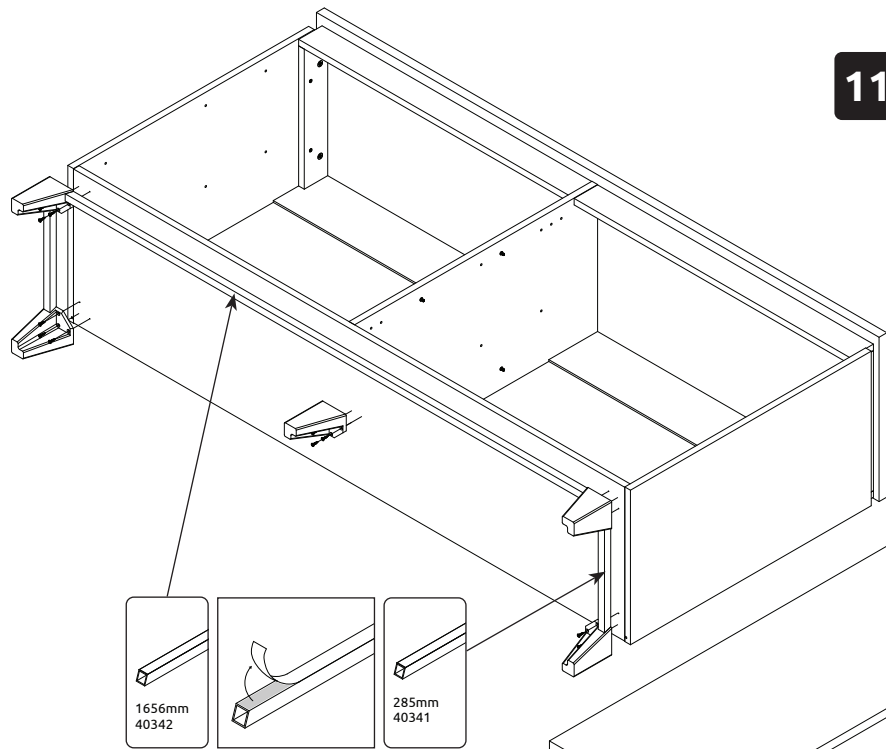


9

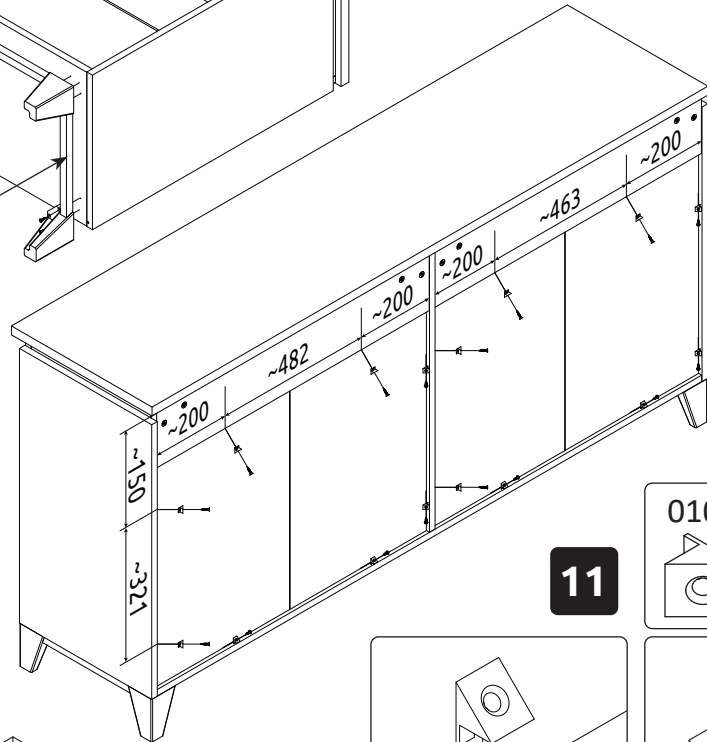
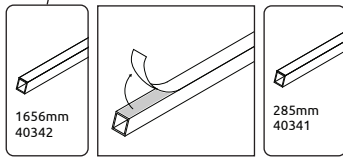
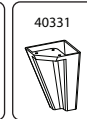
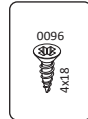


10

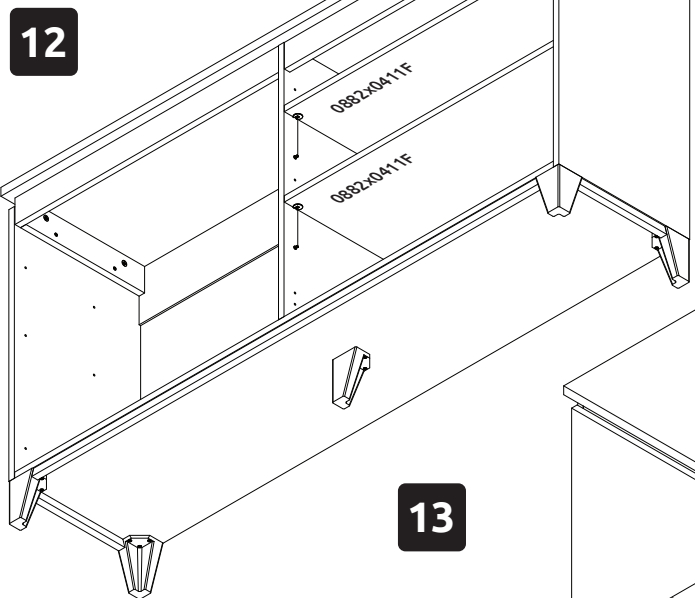
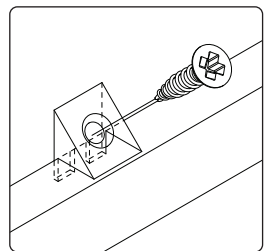
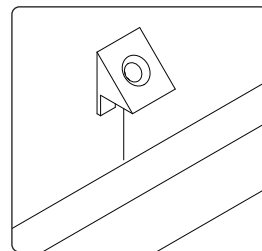
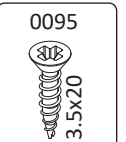
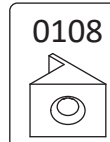
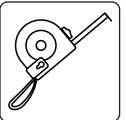




11

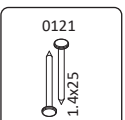
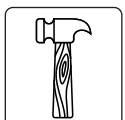
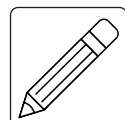
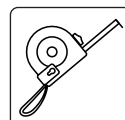
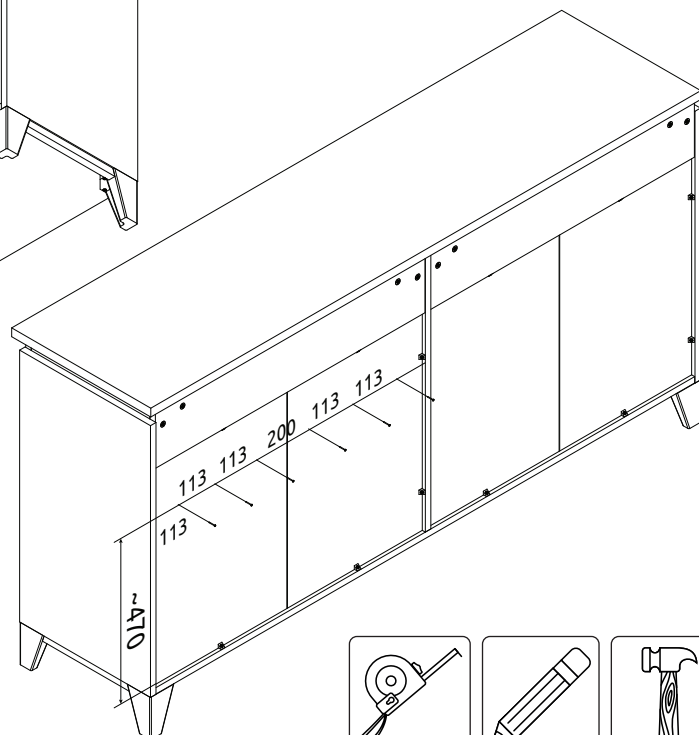


11

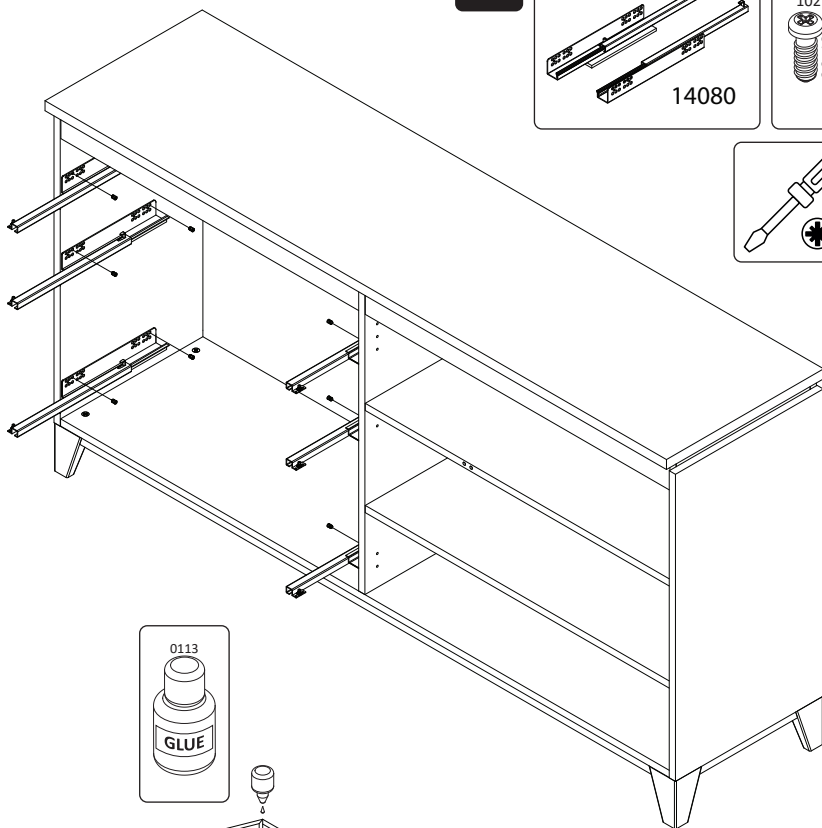
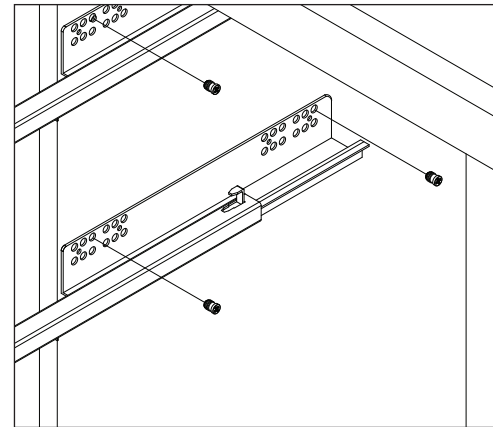
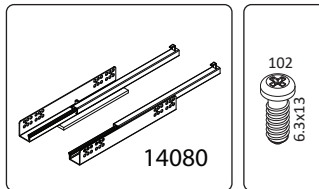


12

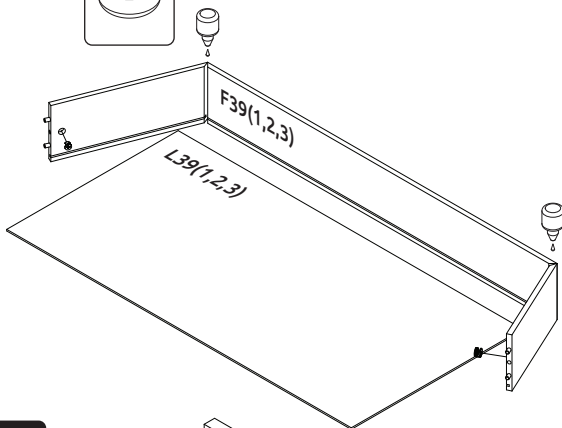
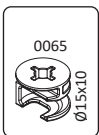
13



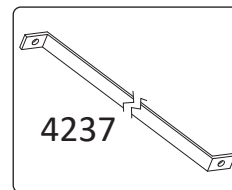
14



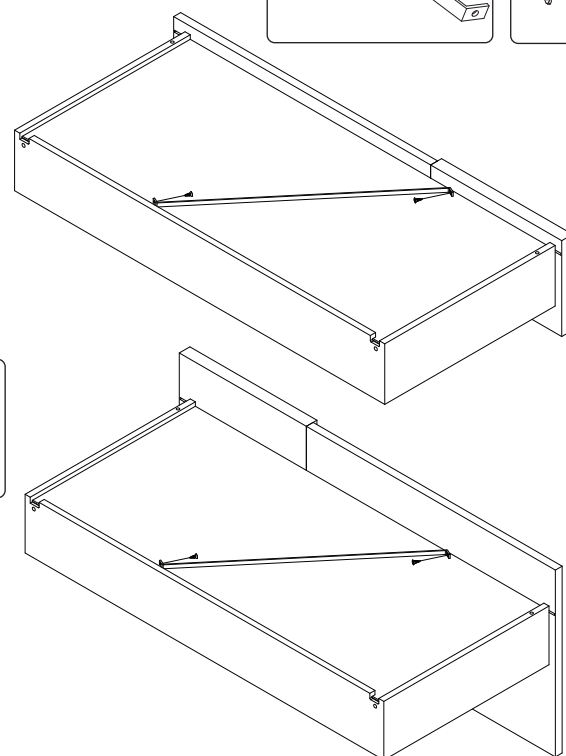
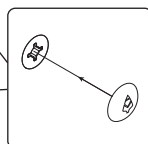
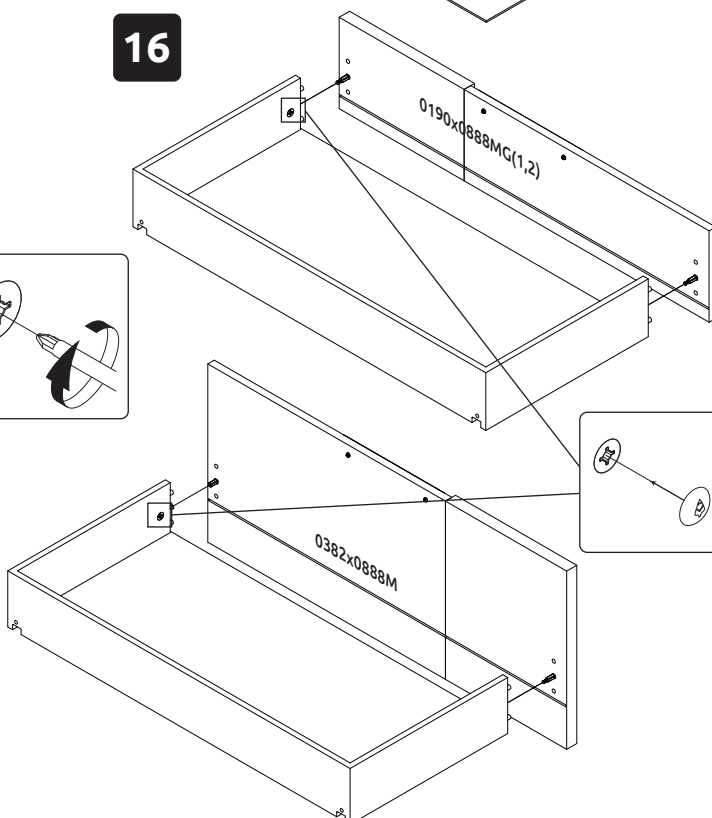
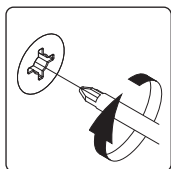
15



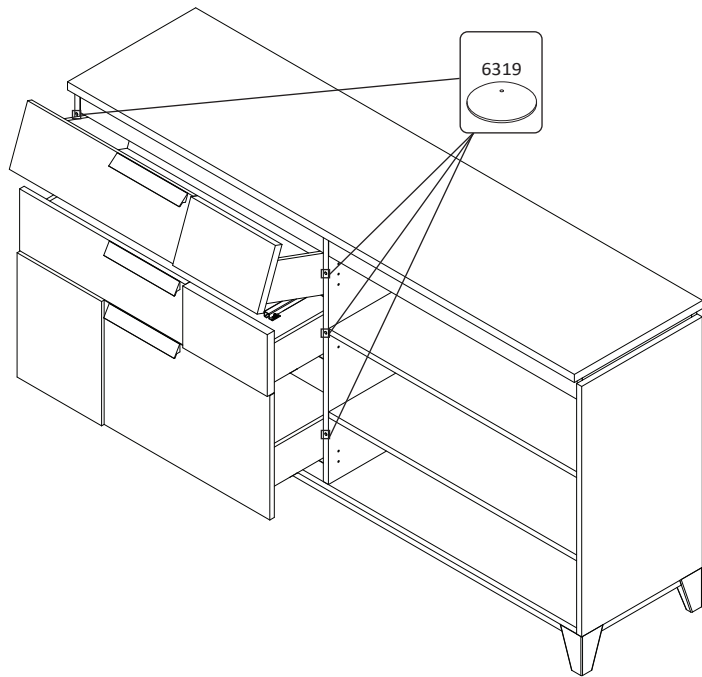
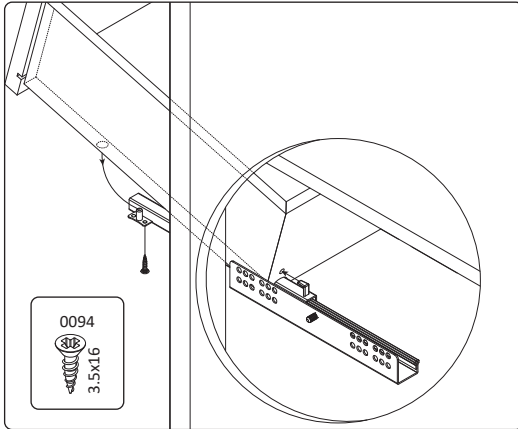
17



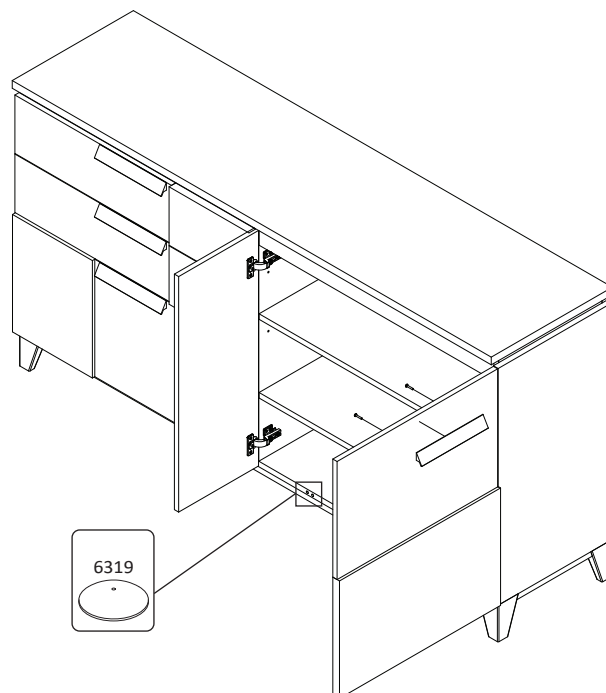
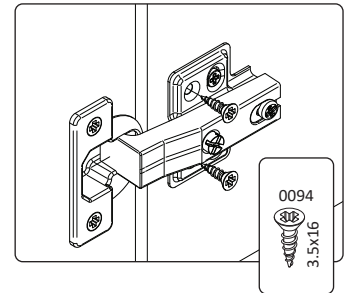
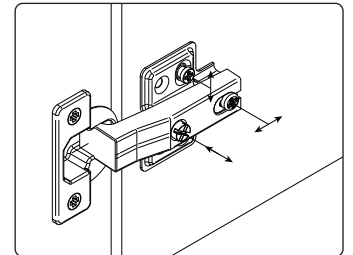
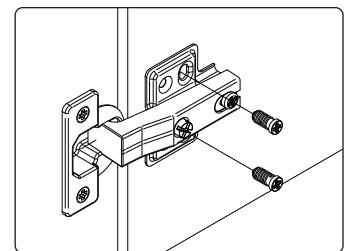
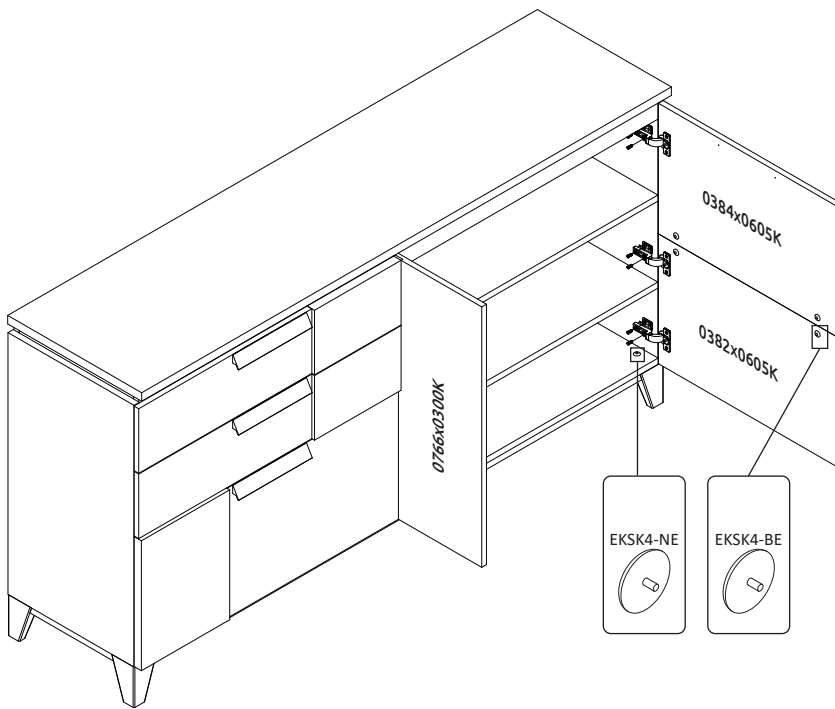
16



18



19



20

