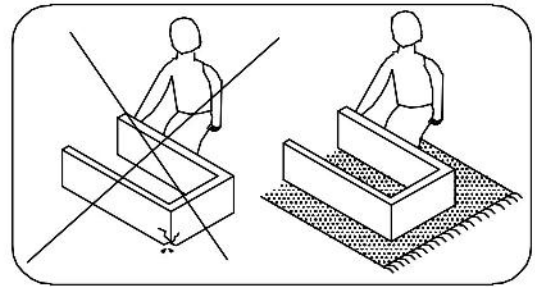
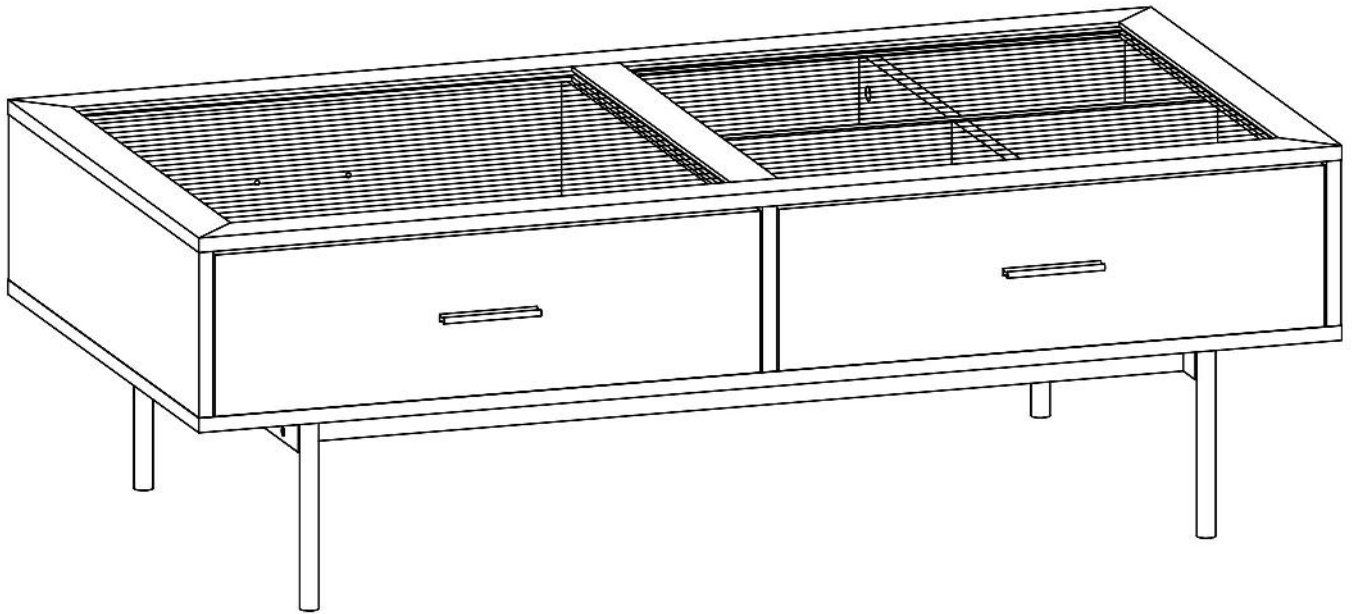
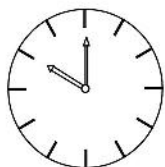
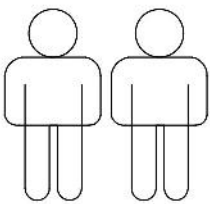
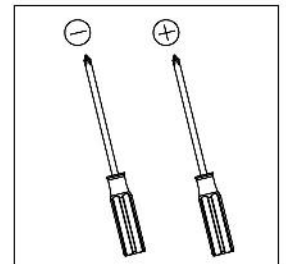
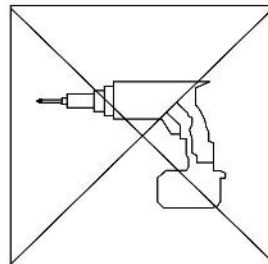
 max. 30 kg

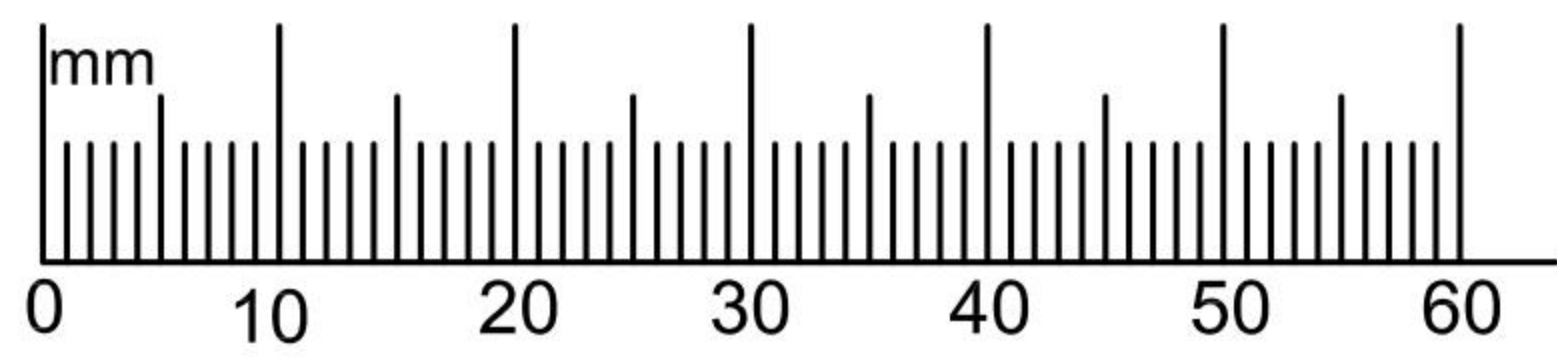
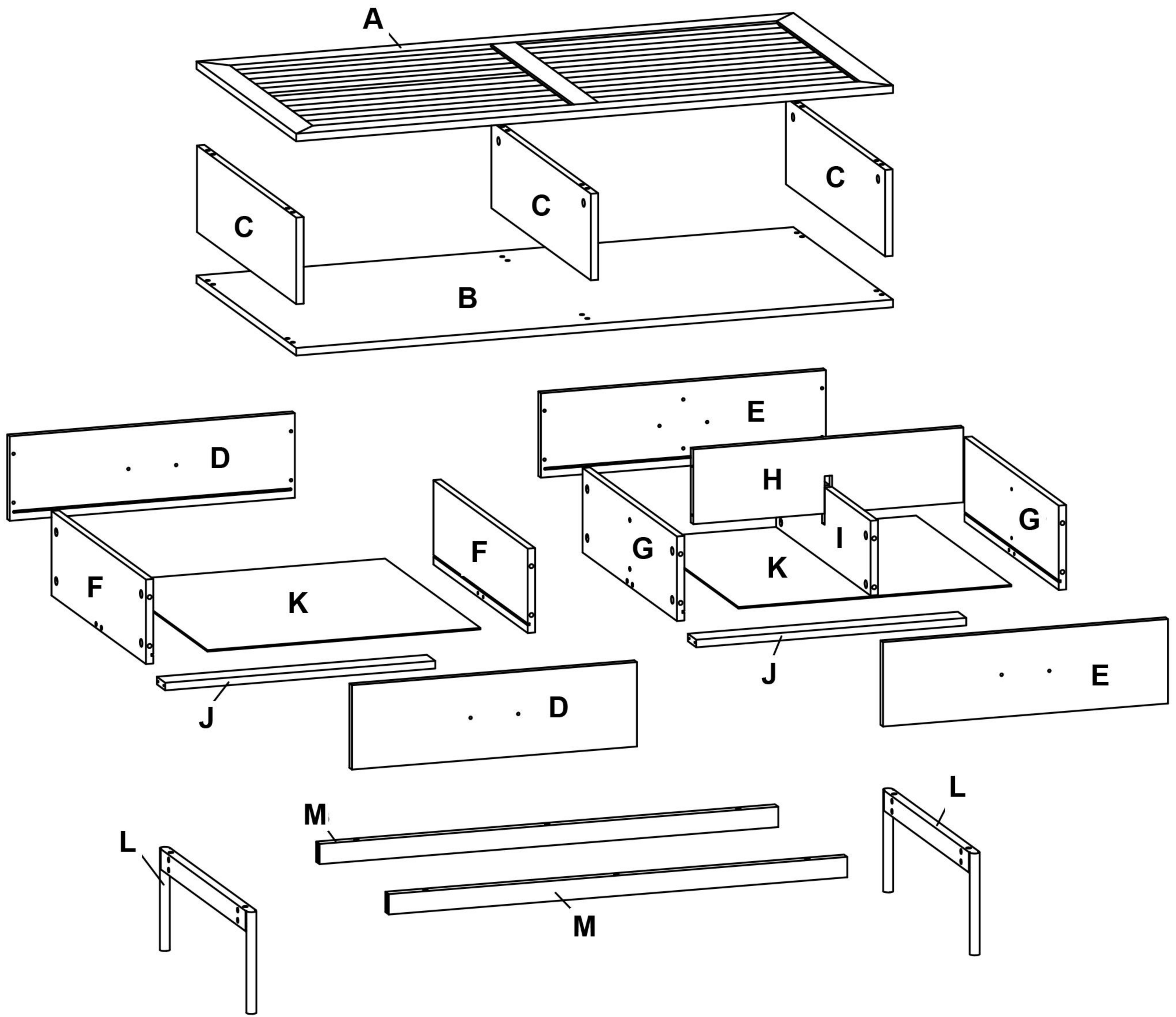


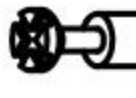




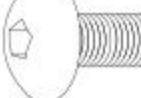
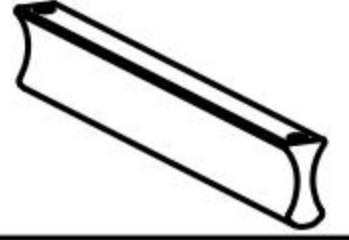



2 PERSON



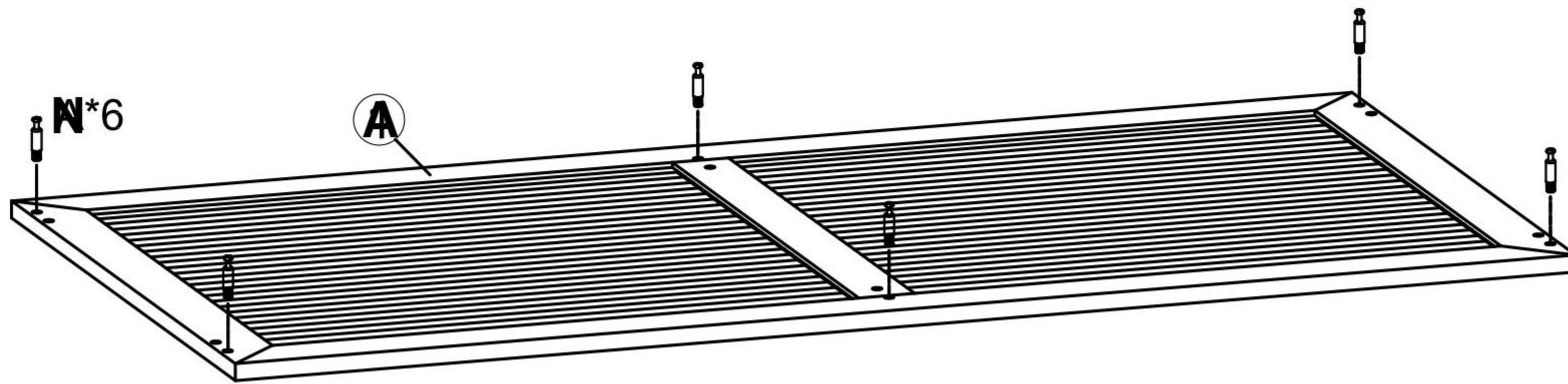
60 min

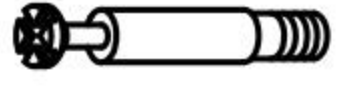




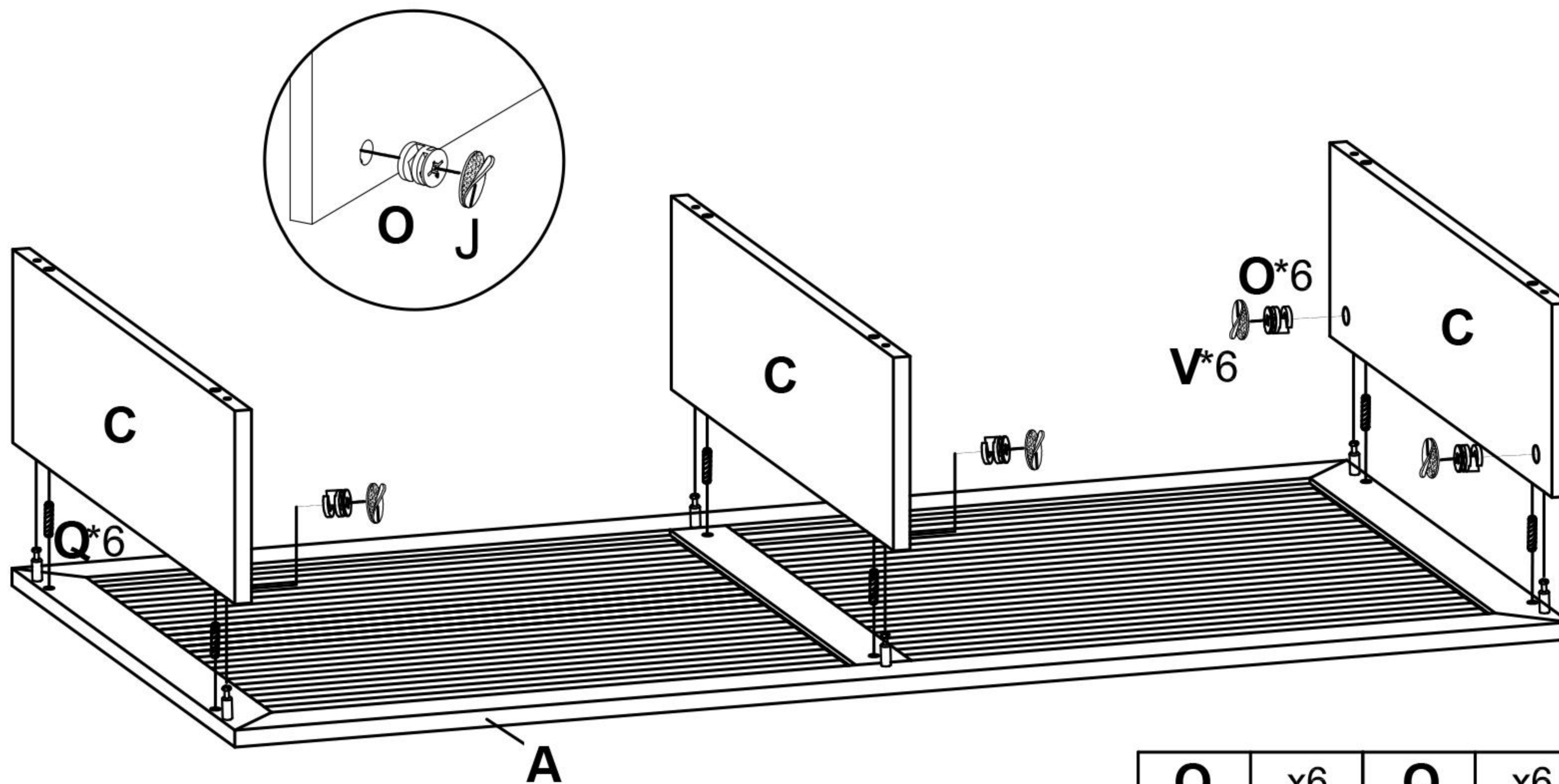
N x26	O x26	P x6	Q x12	R x12	S x18	T x4
						
M6*35mm	φ15mm	M7*40mm	φ8*30mm	φ4*35mm	M6*50mm	
U x8	V x26	W x1				
						
M4*18mm	φ20	M4				




1



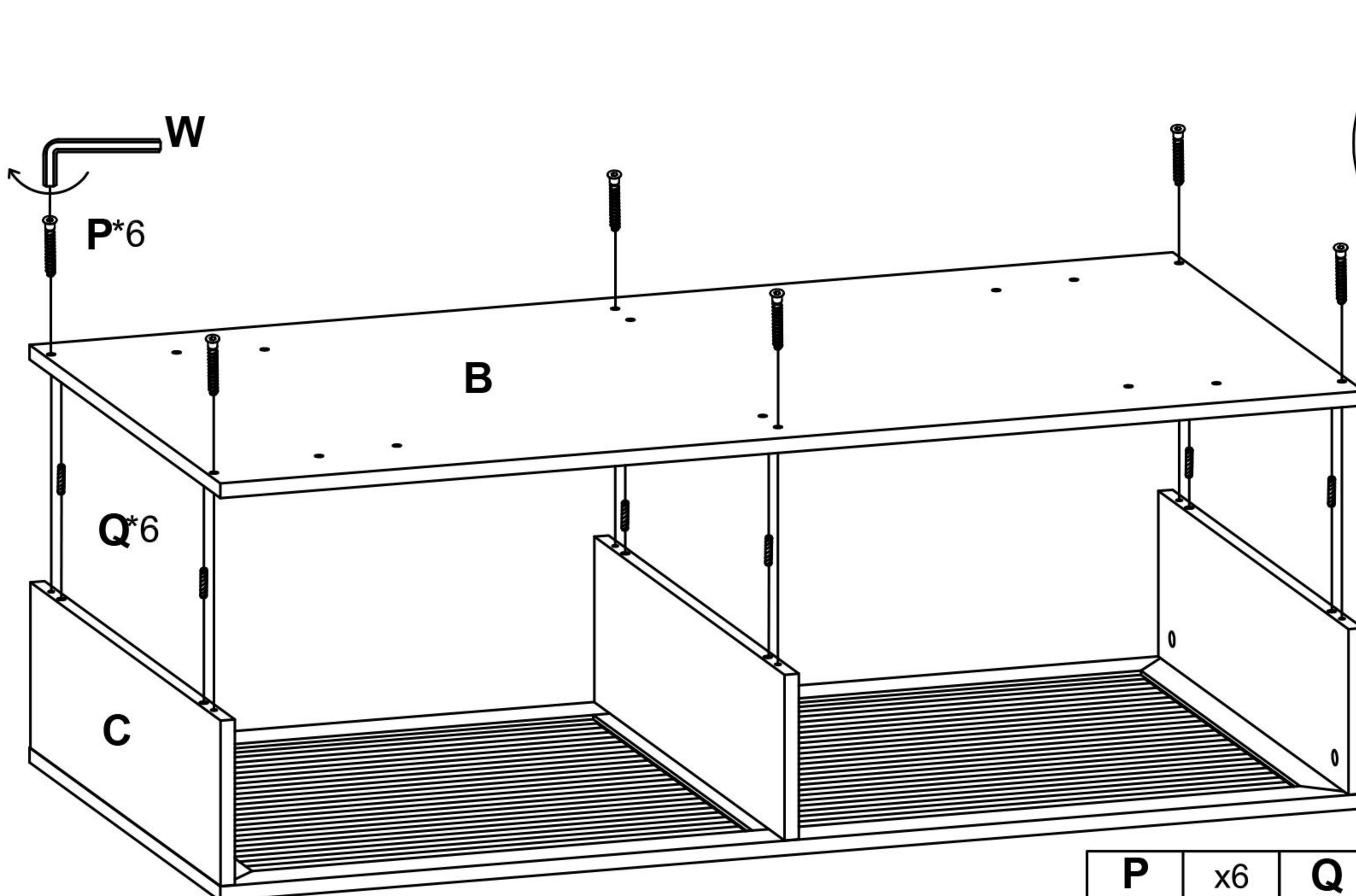
N	x6
	
M6*35mm	




2



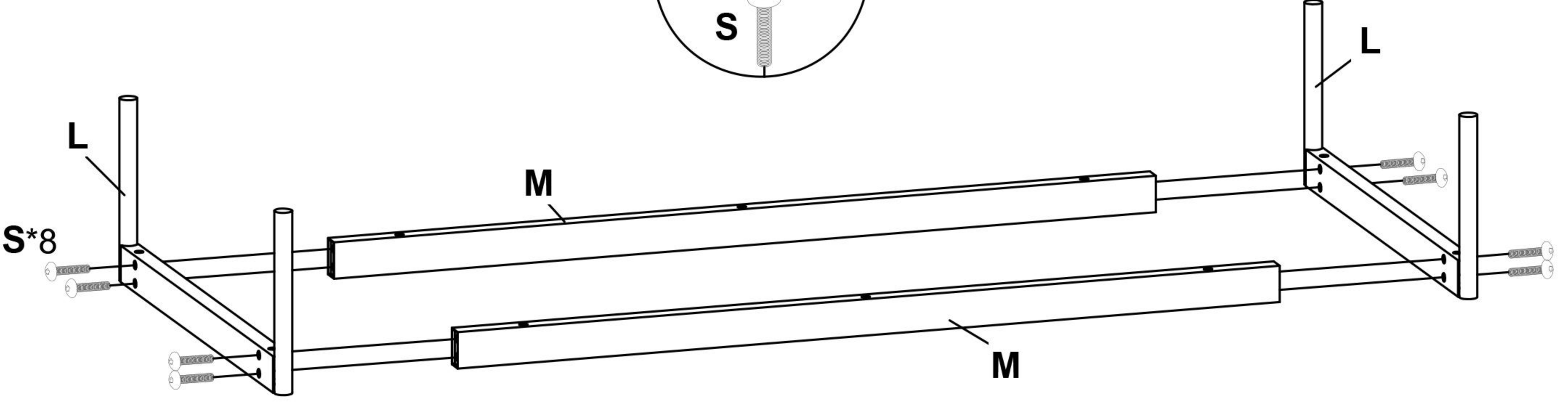
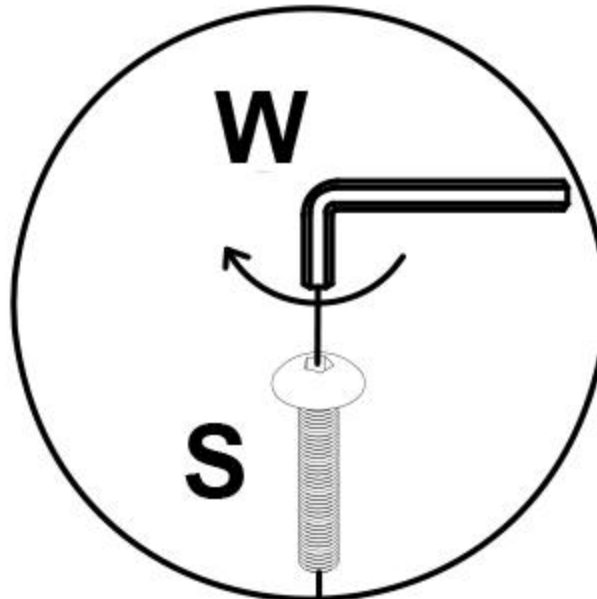
O	x6	Q	x6	V	x6
					
φ15mm		φ8*30mm		φ20	

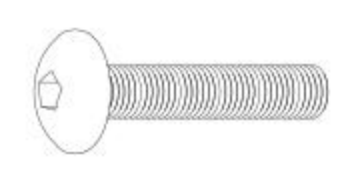

3



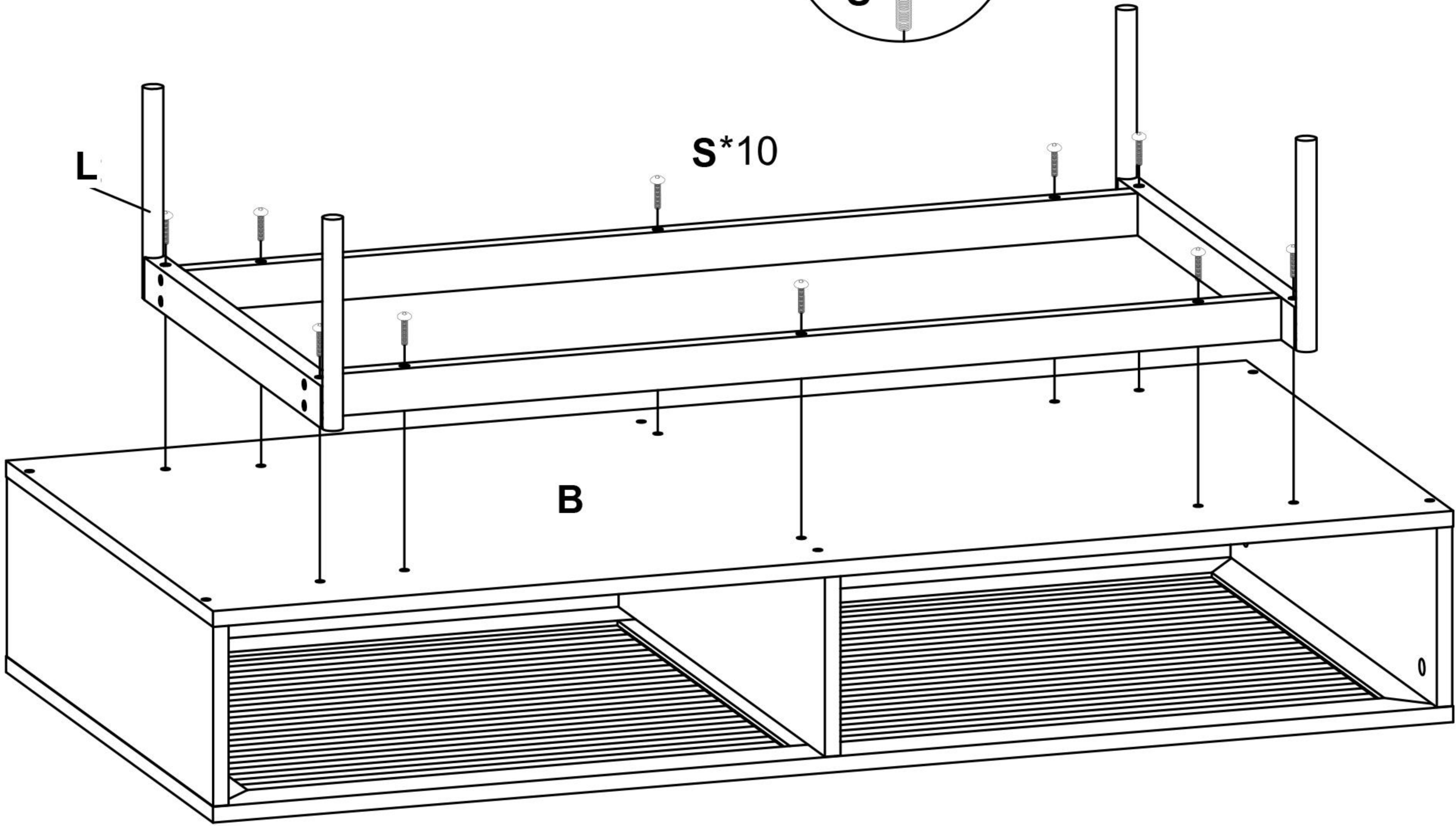
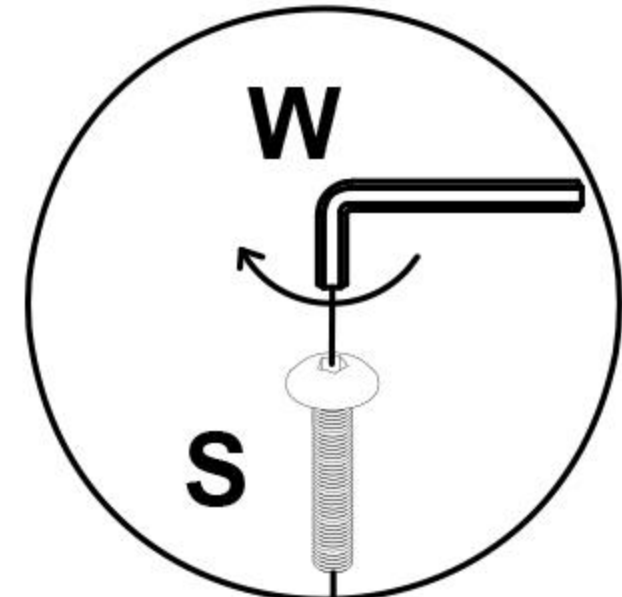
P	x6	Q	x6	W	x1
					
M7*40mm		φ8*30mm		M4	

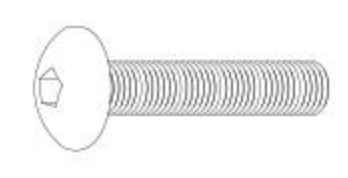

4



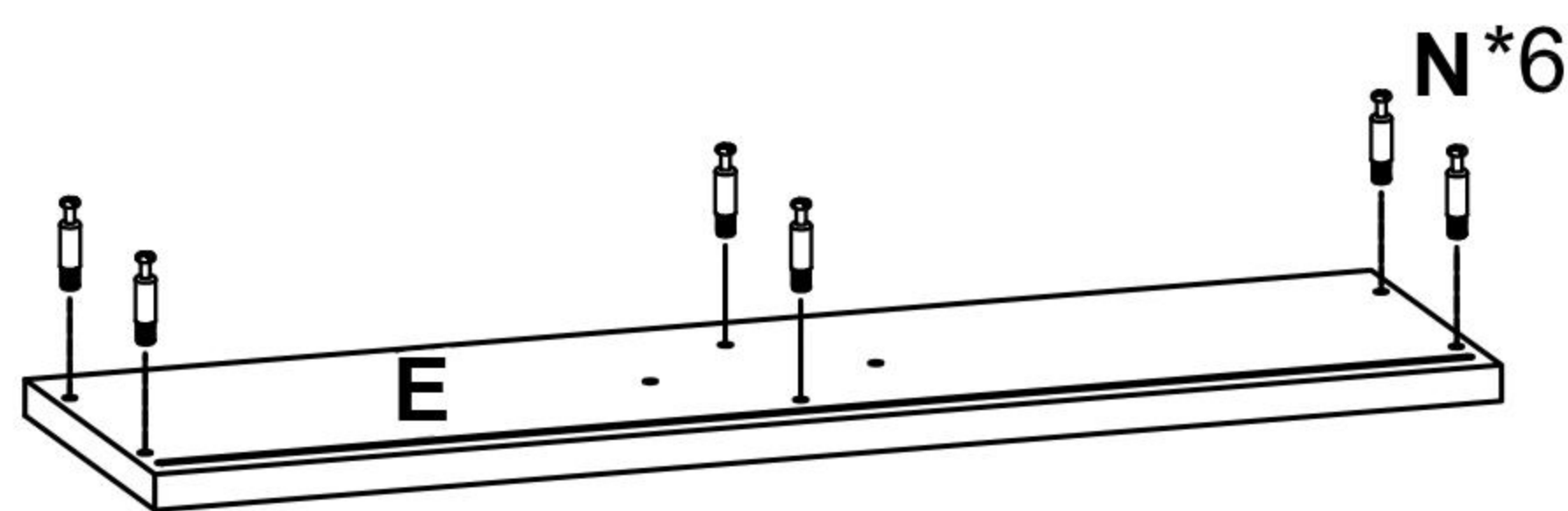
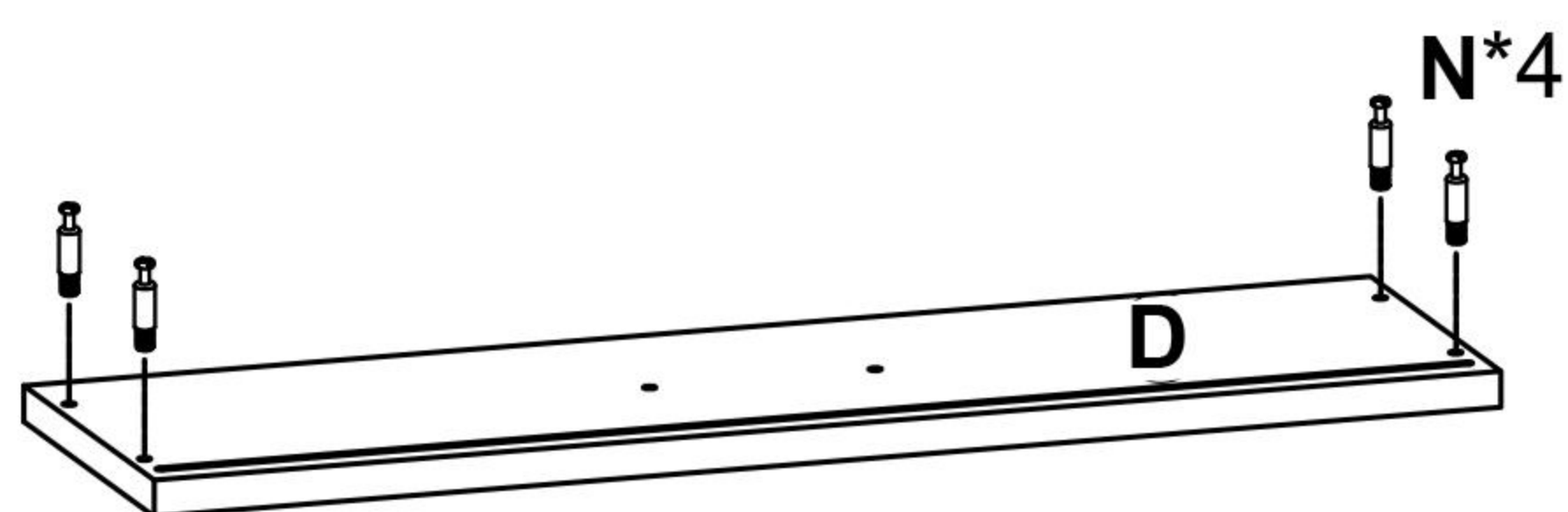
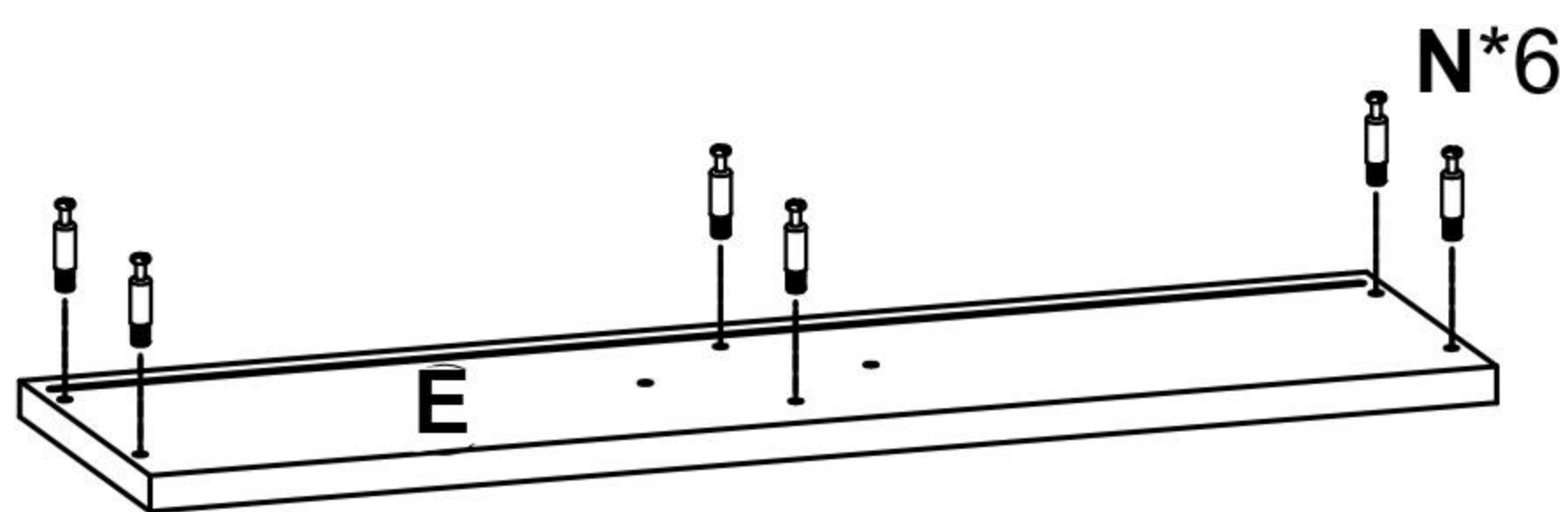
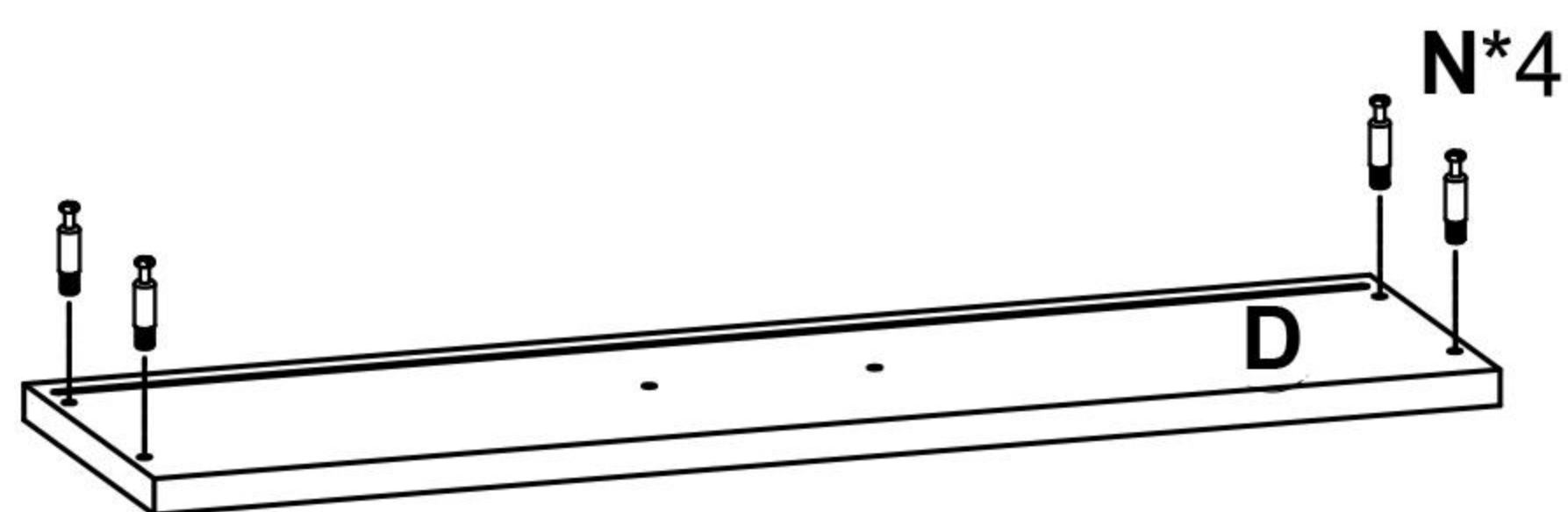
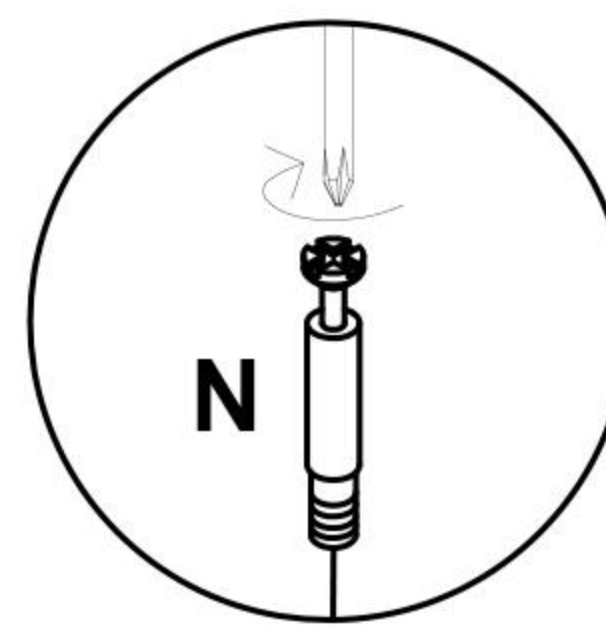
S	x8	W	x1
			
M6*50mm		M4	

5



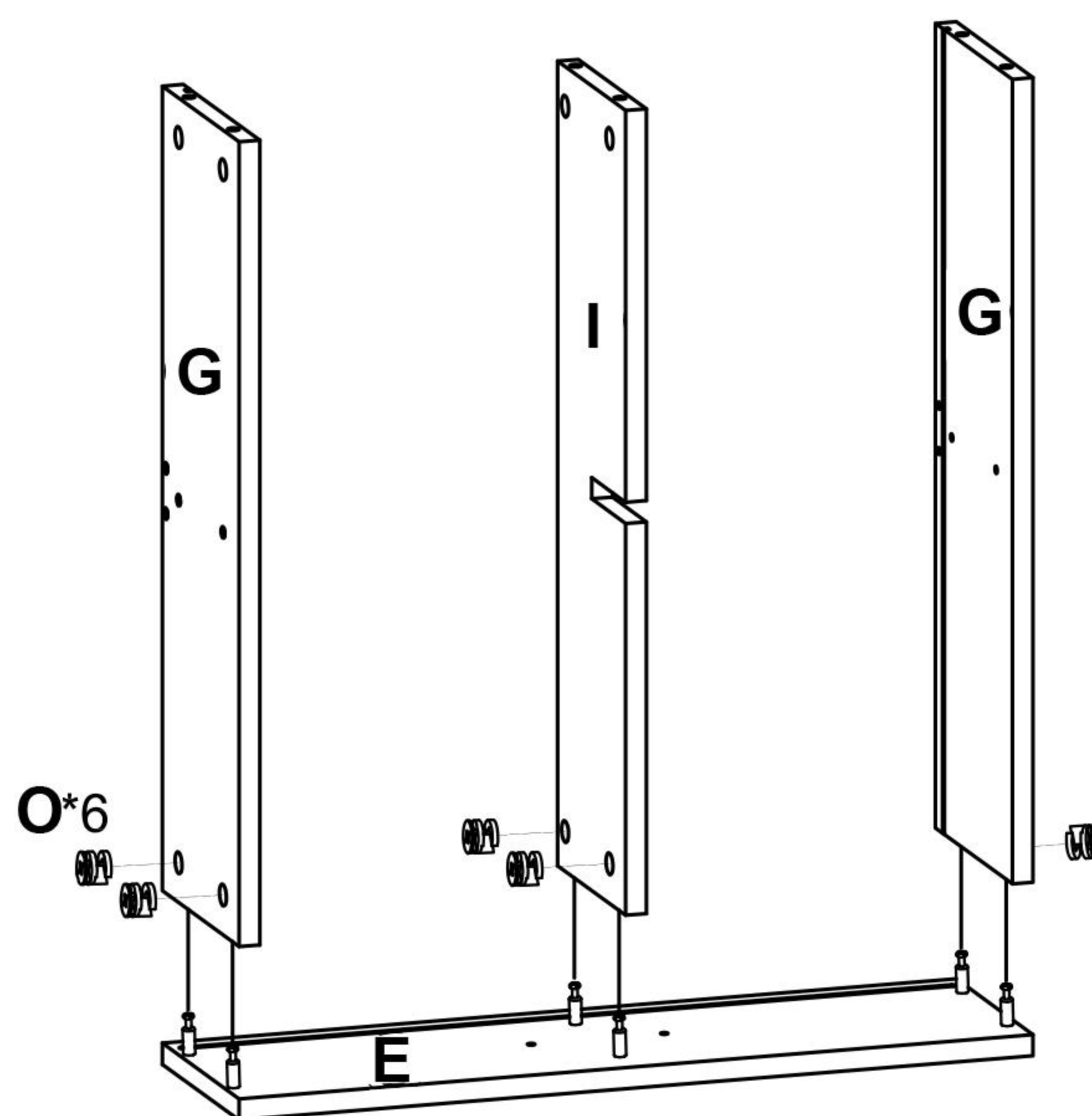
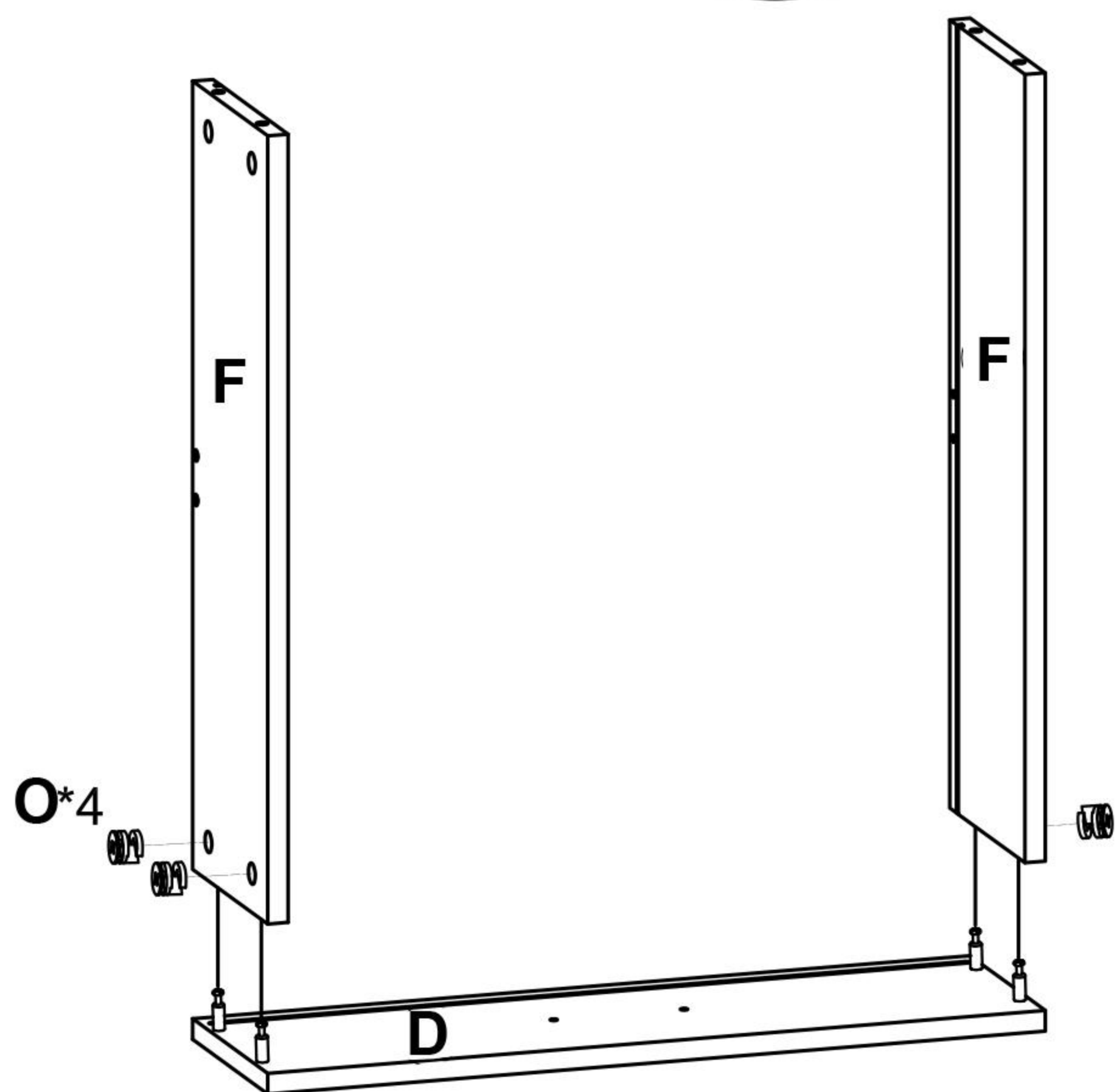
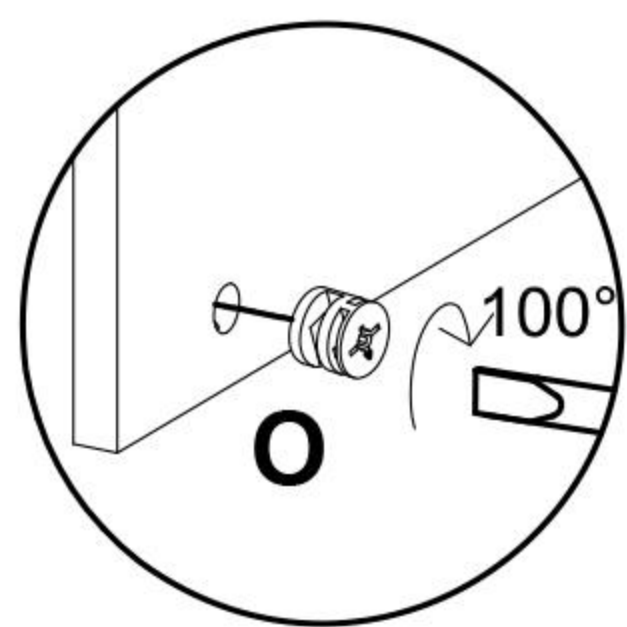
S	x10	W	x1
			
M6*50mm		M4	

6



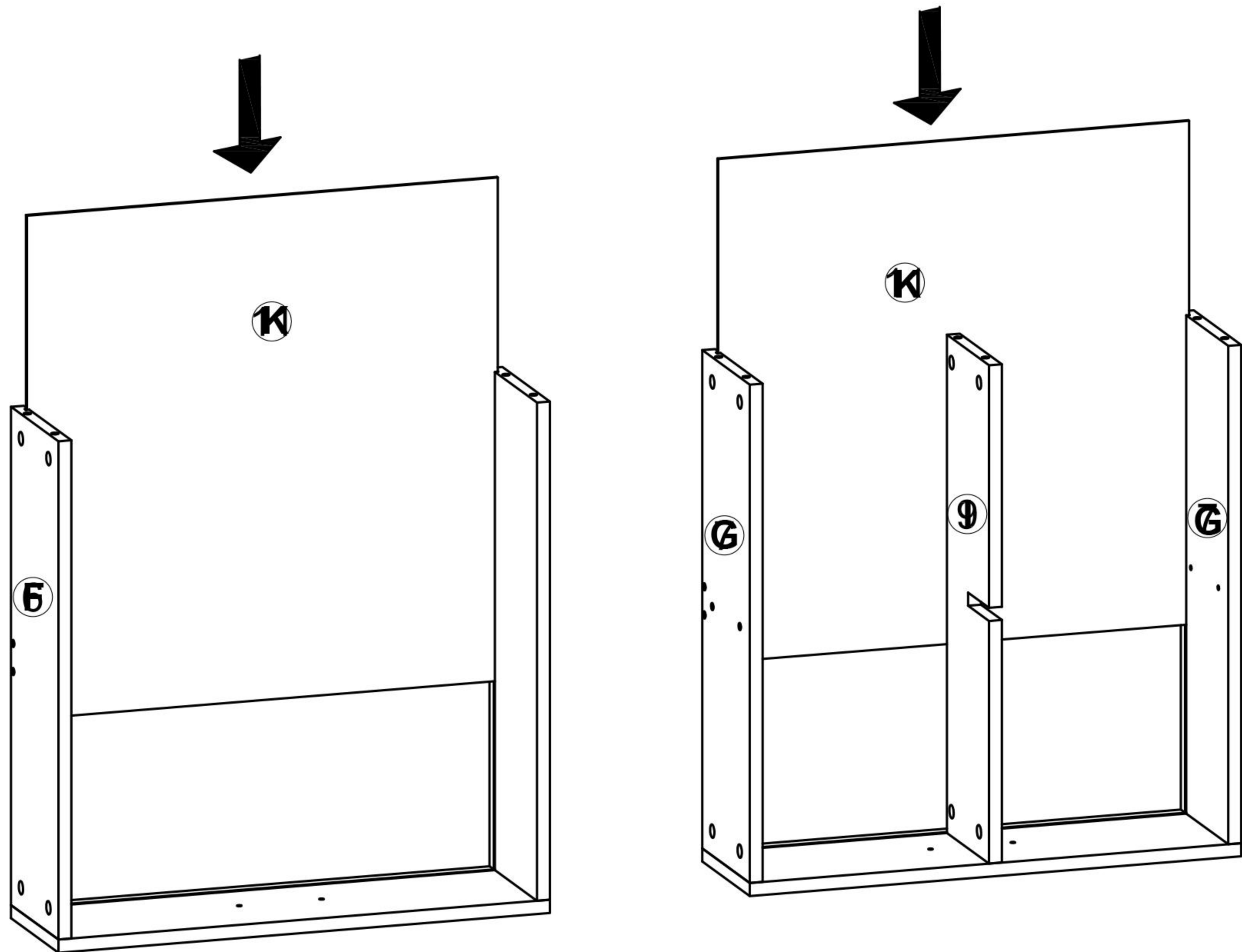
N	x20
M6*35mm	

7

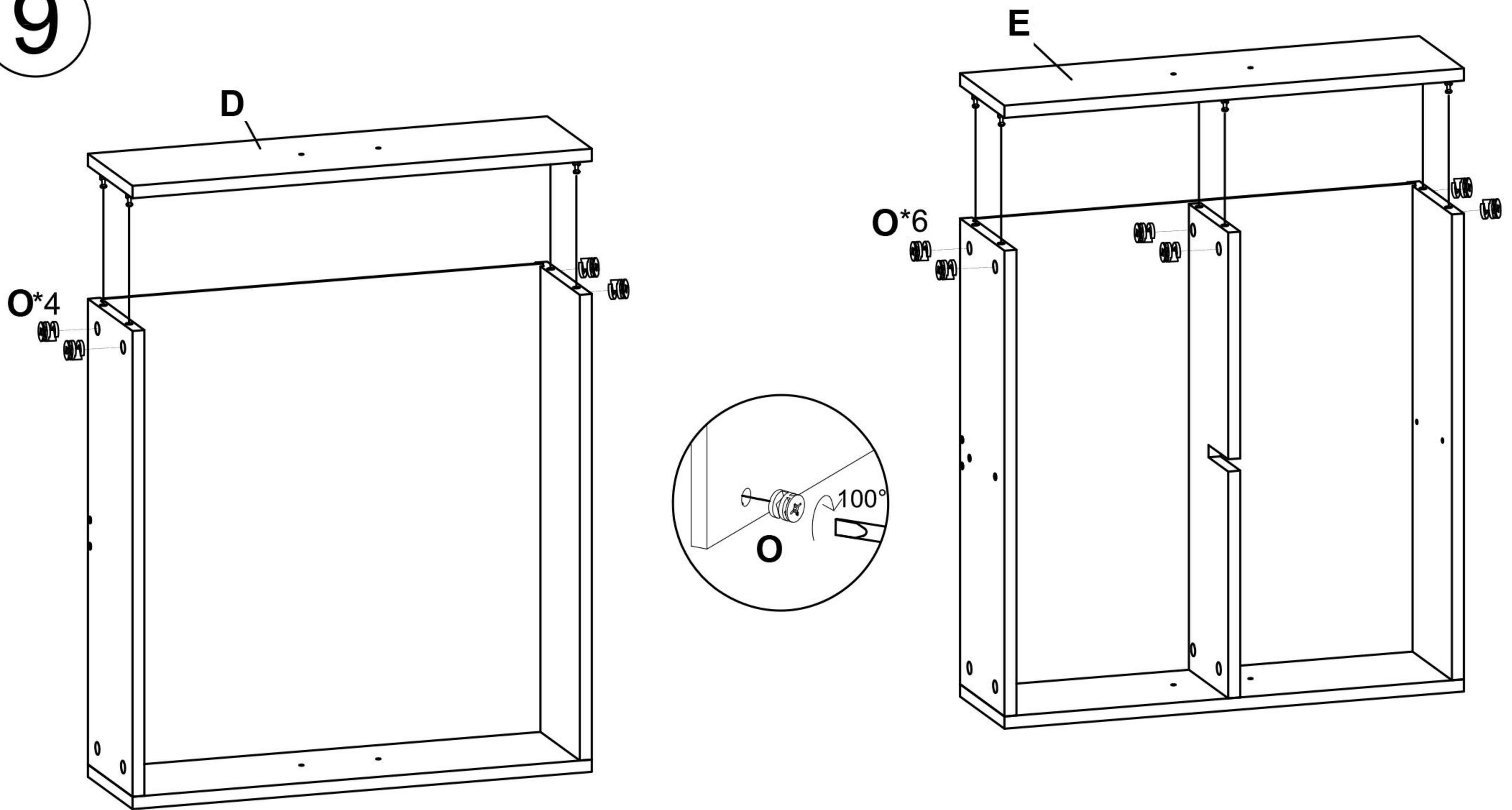


O	x10
φ15mm	

8

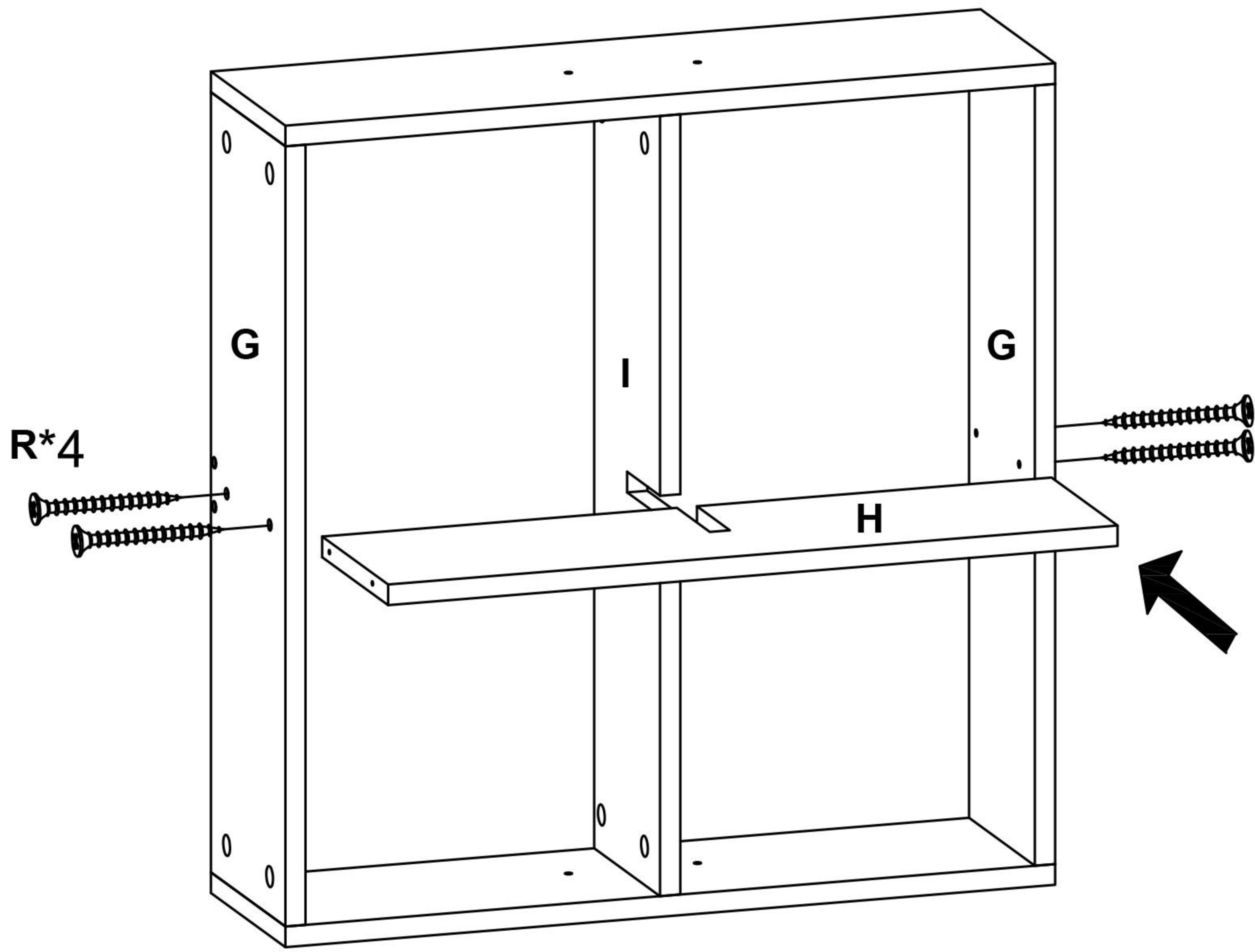


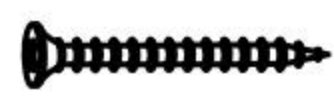
9



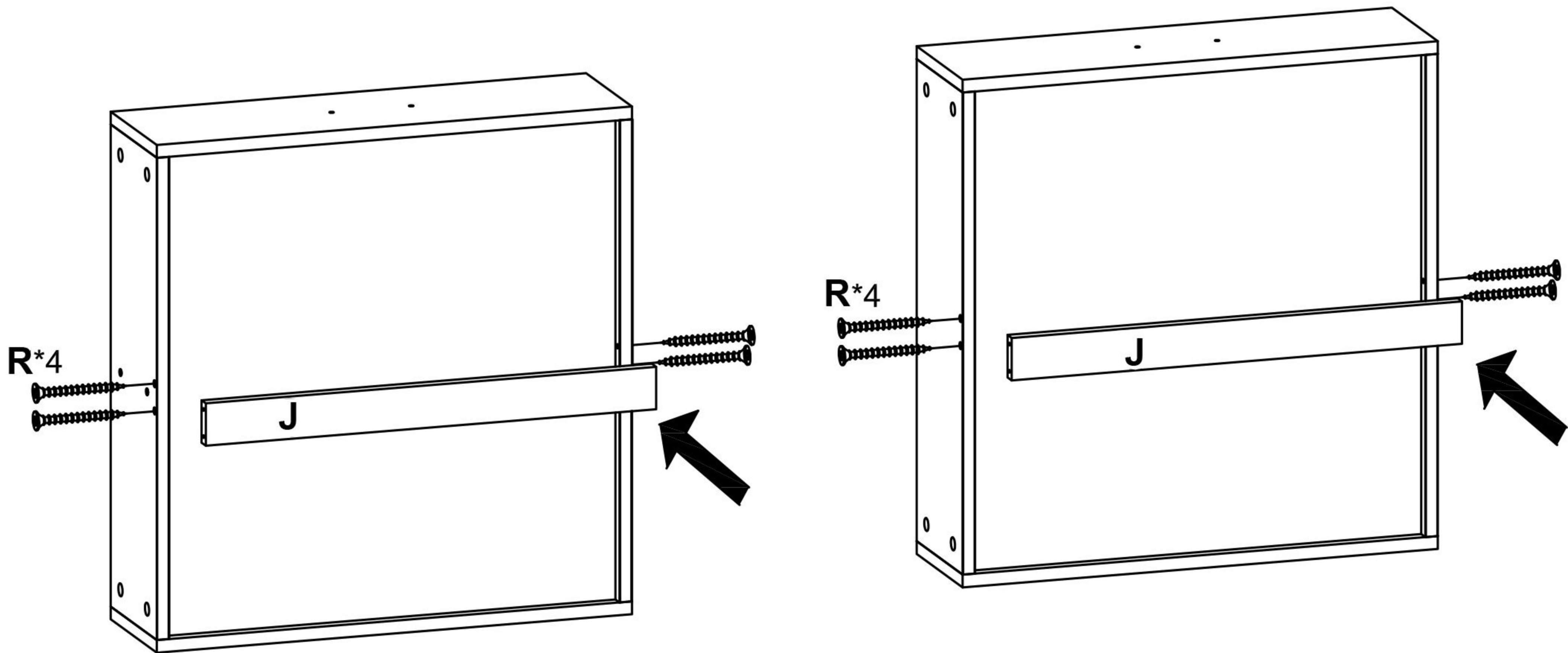
○	x10
φ15mm	


10



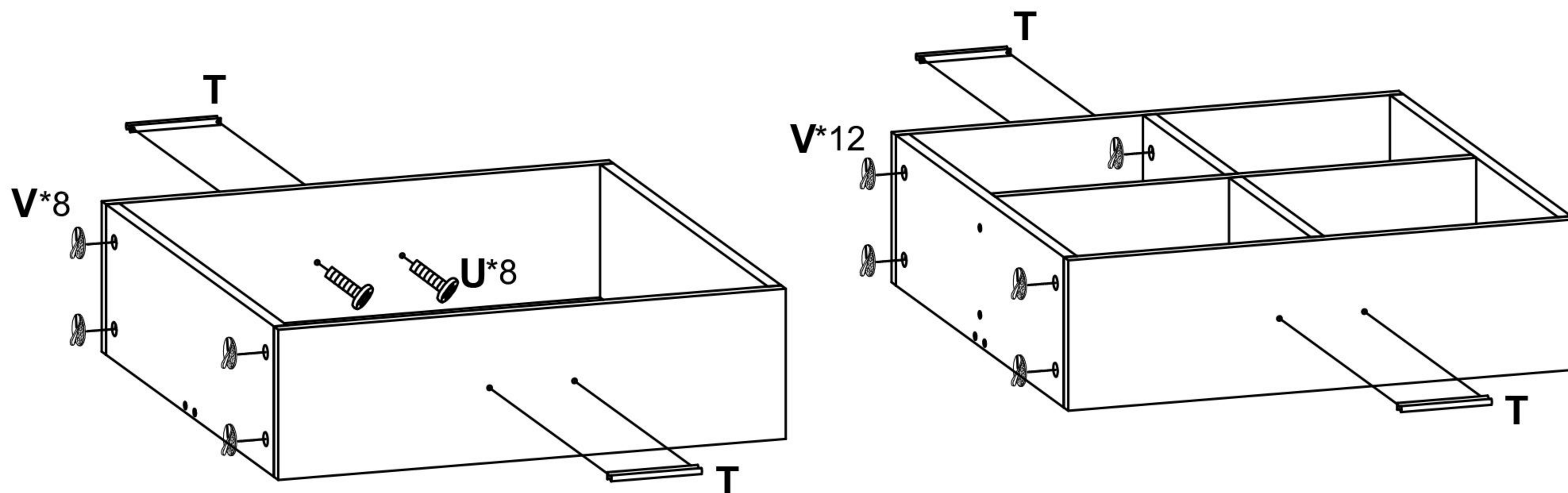
R	x4
	
φ4*35mm	

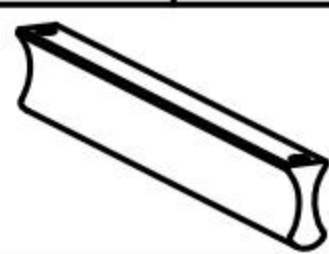
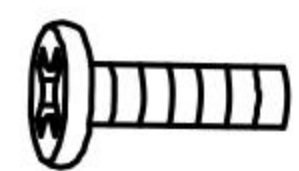

11



R	x8
	
φ4*35mm	

12



T	x4	U	x8	V	x20
					
		M4*18mm		φ20	

13

