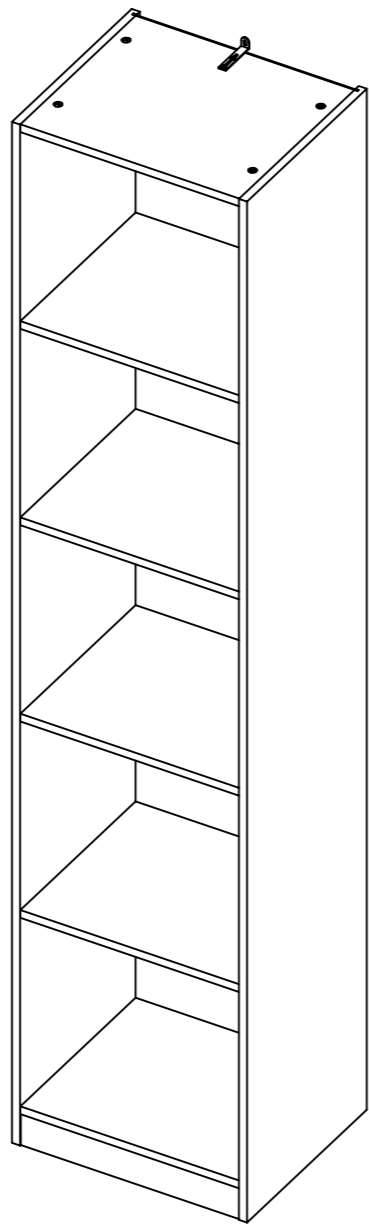
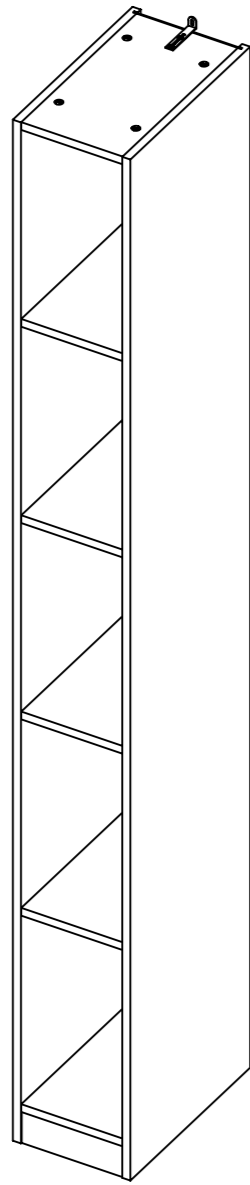
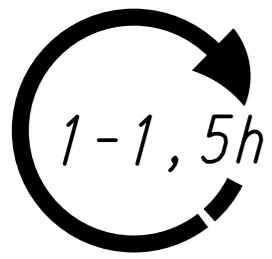
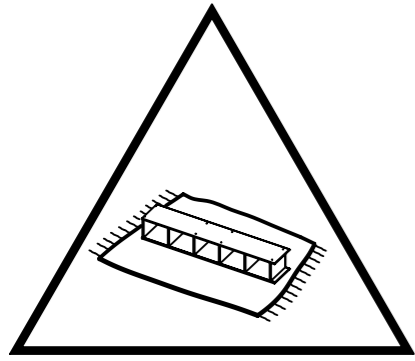
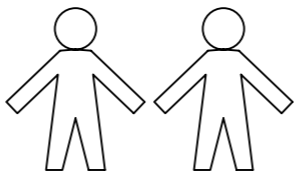
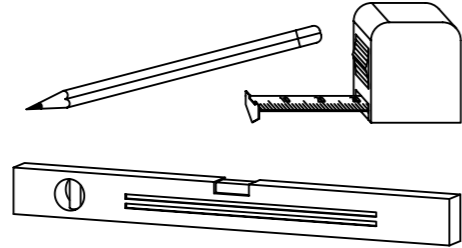
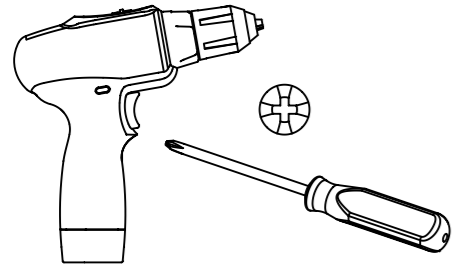


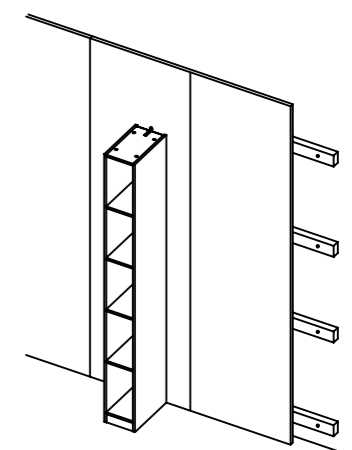
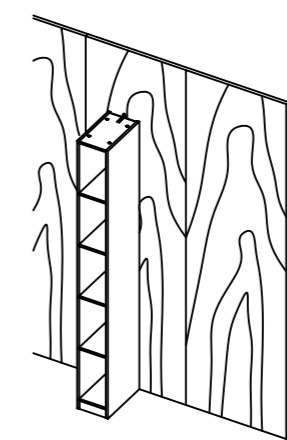
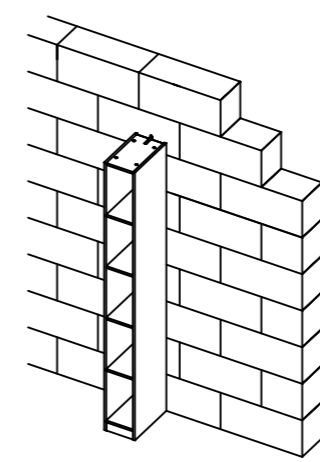
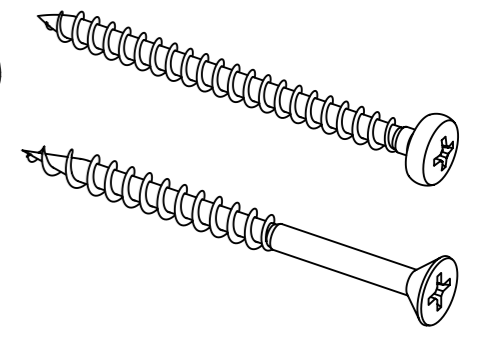
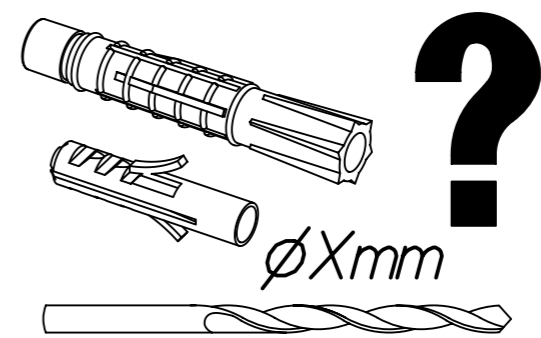
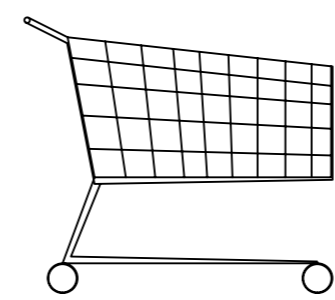
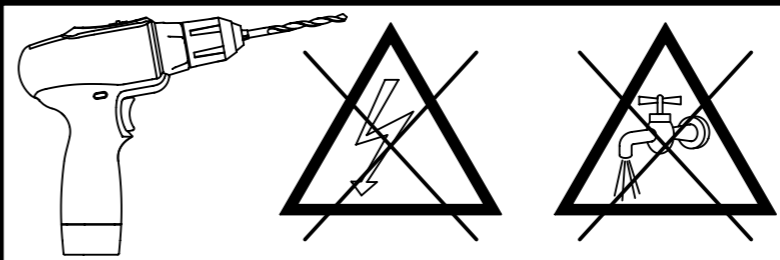
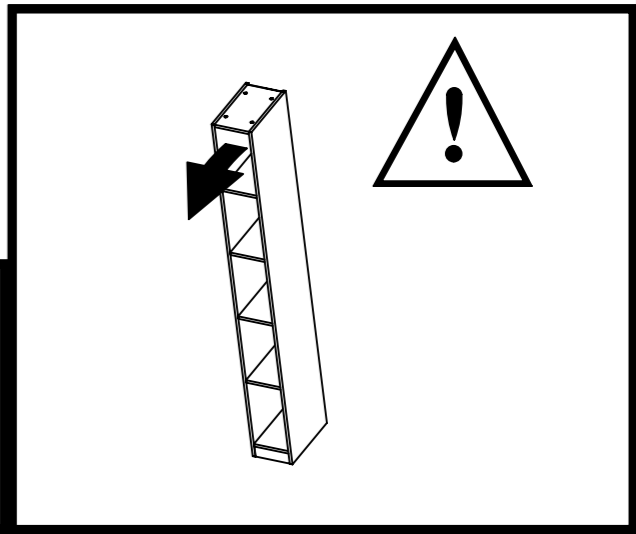
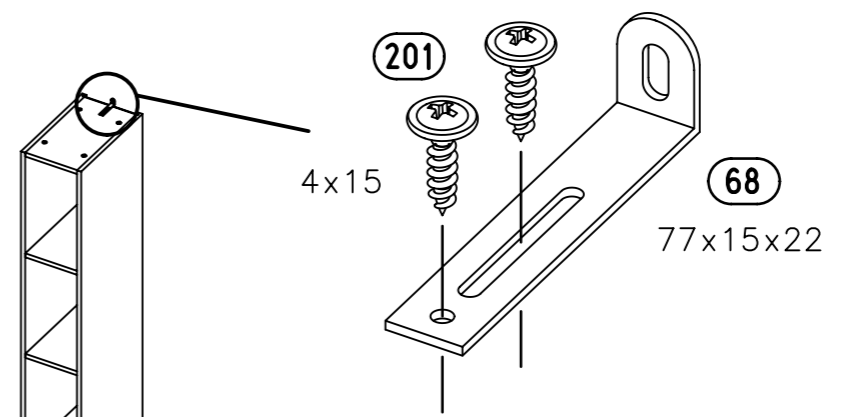
1.

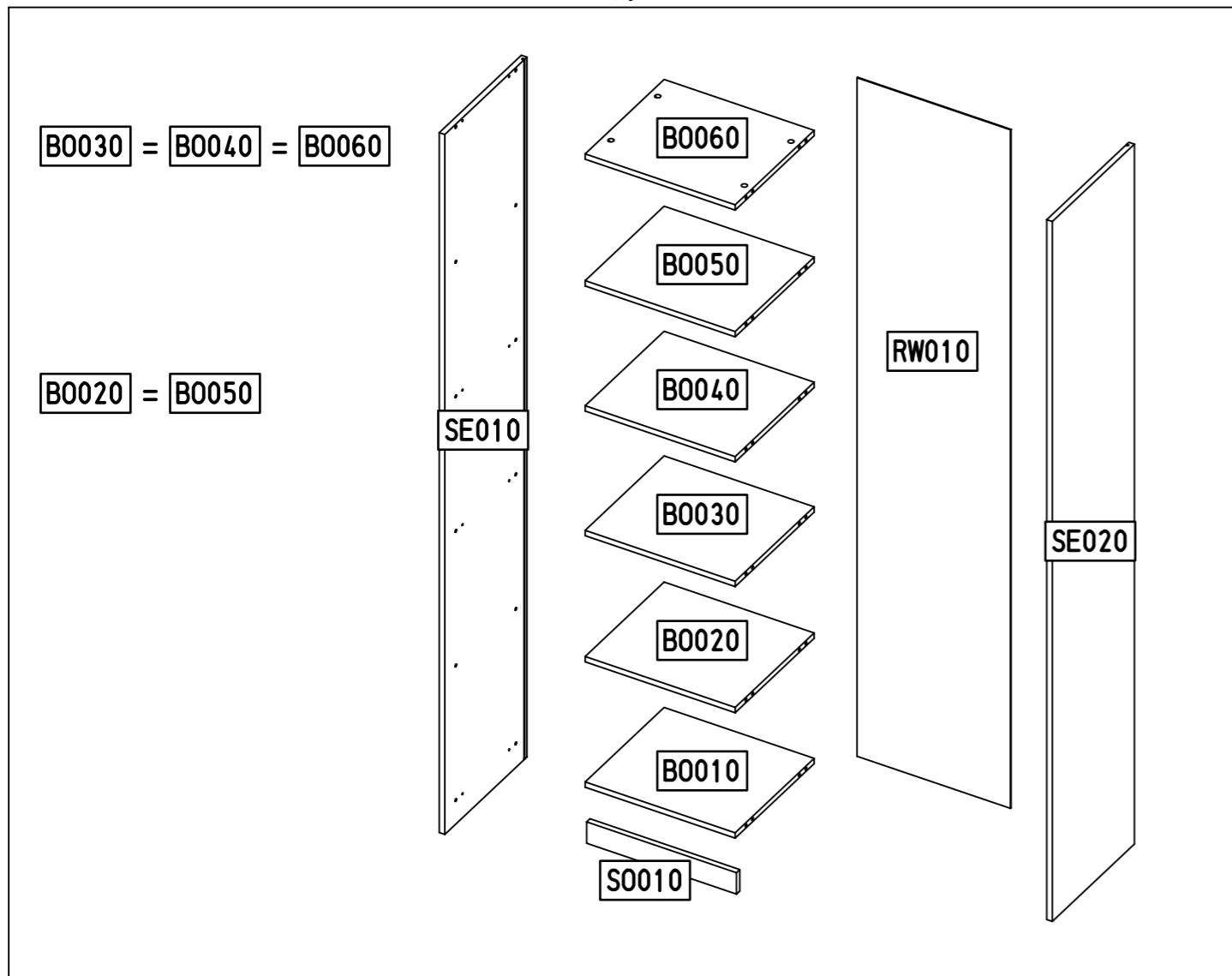
M2362_02

rauch



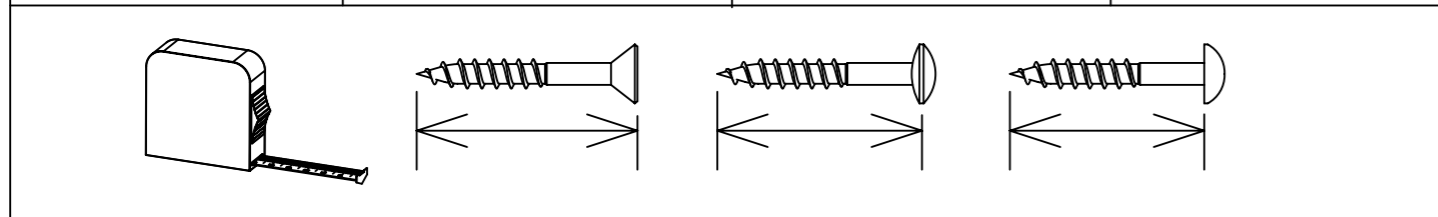
2.



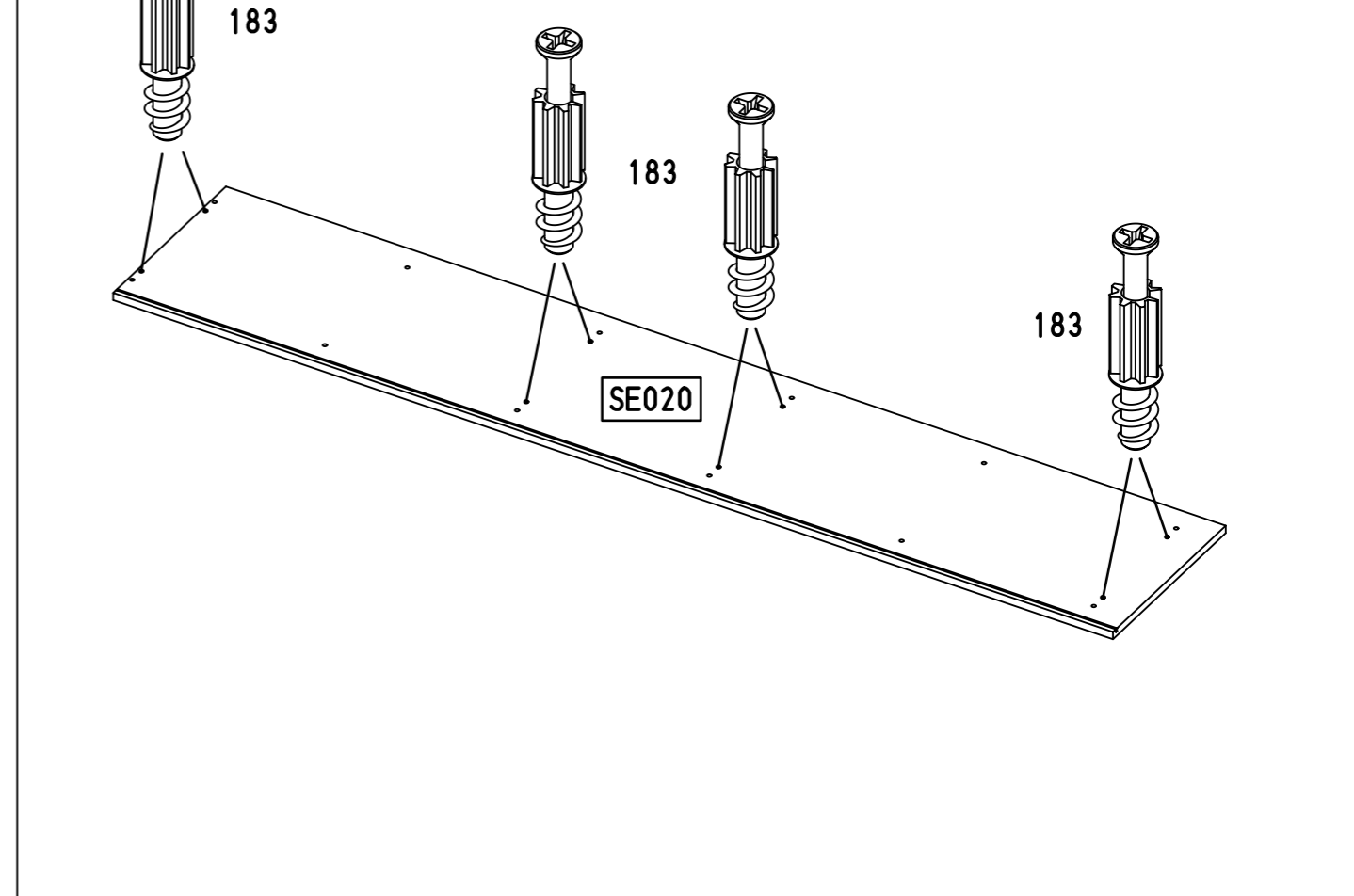
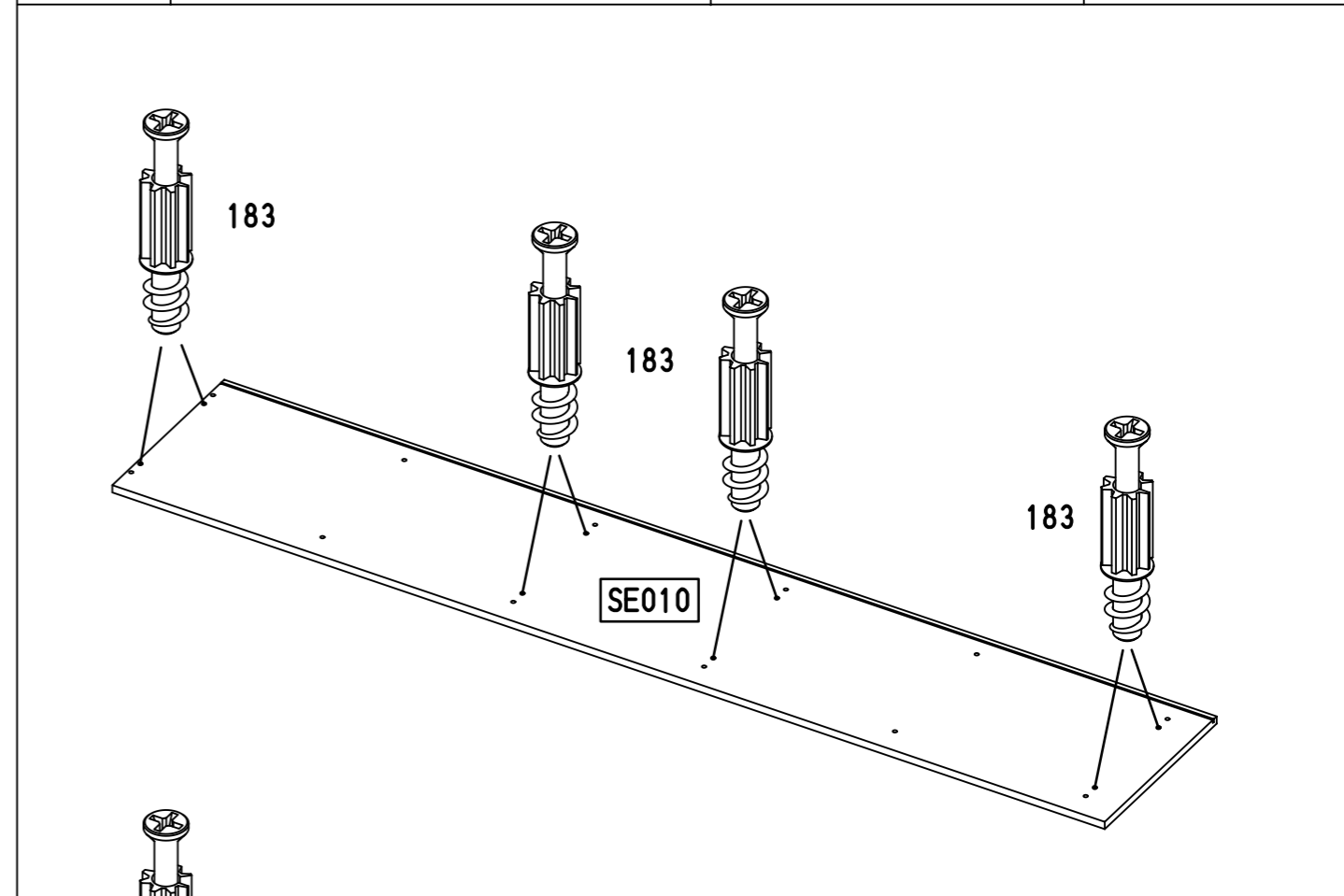


<p>24x (18)</p> <p>8x30</p>	<p>3x (42)</p>	<p>6x (179)</p> <p>6,3x13</p>	<p>16x (183)</p> <p>23/10x7,5/6,5</p>
------------------------------------	-----------------------	--------------------------------------	--

<p>8x (201)</p> <p>4x15</p>	<p>2x (203)</p> <p>4x30</p>	<p>18x (215)</p> <p>3x20</p>	<p>16x (349)</p>
------------------------------------	------------------------------------	-------------------------------------	-------------------------

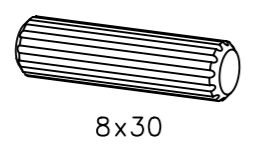


1 **16x** (183) 23/10x7,5/6,5

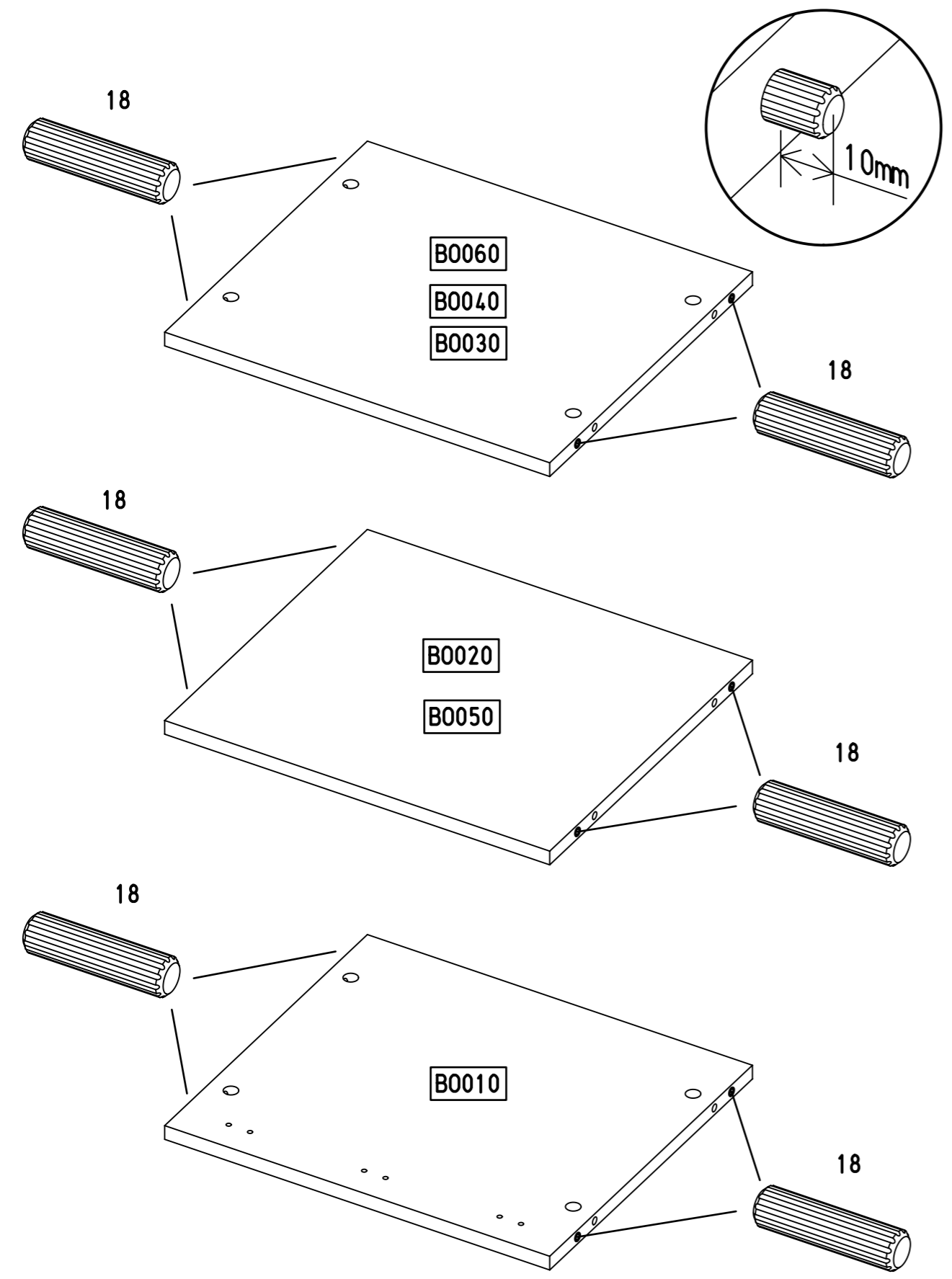


2

24x 18

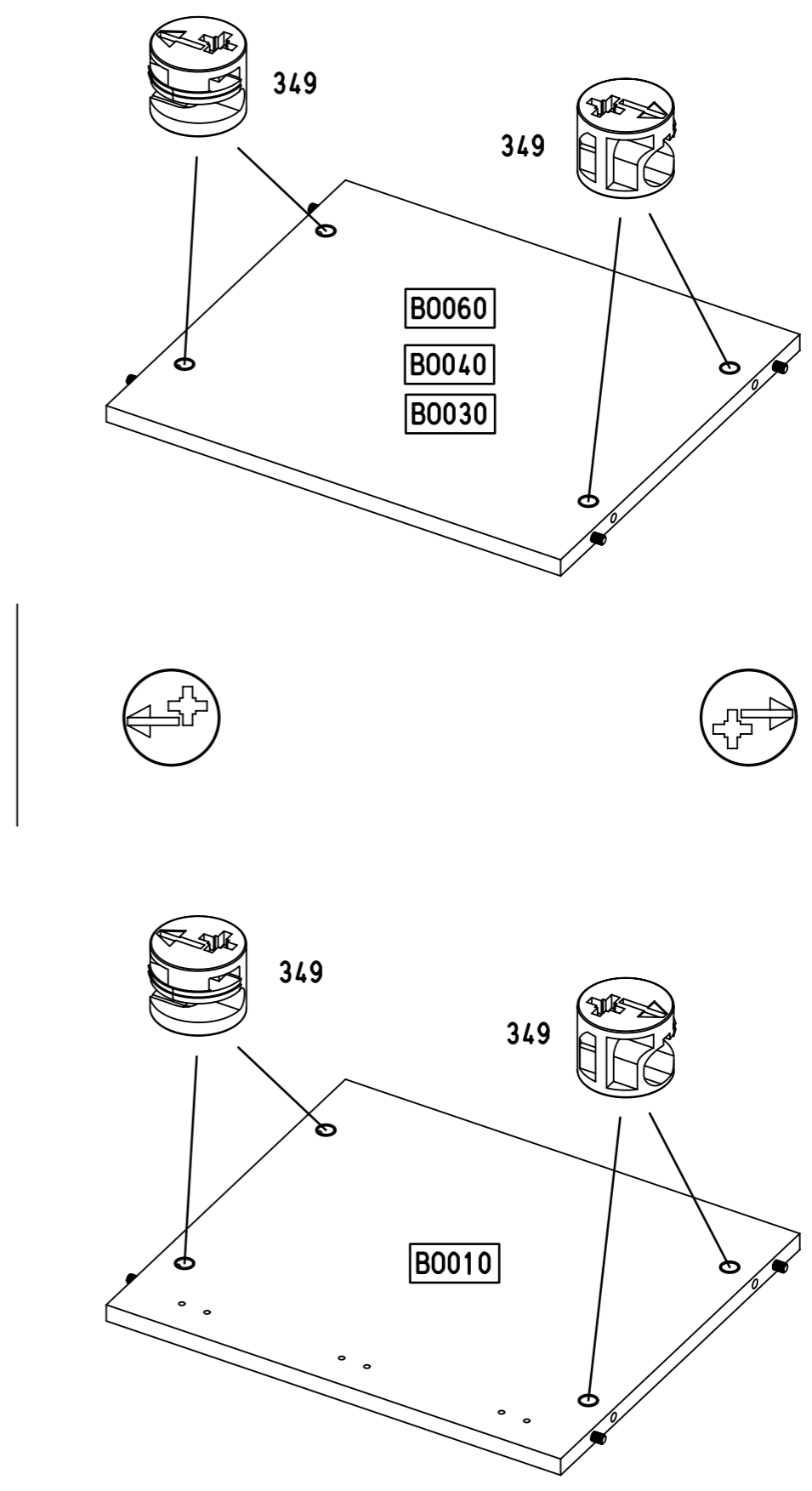
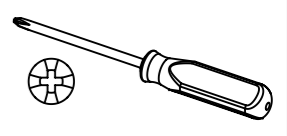


8x30

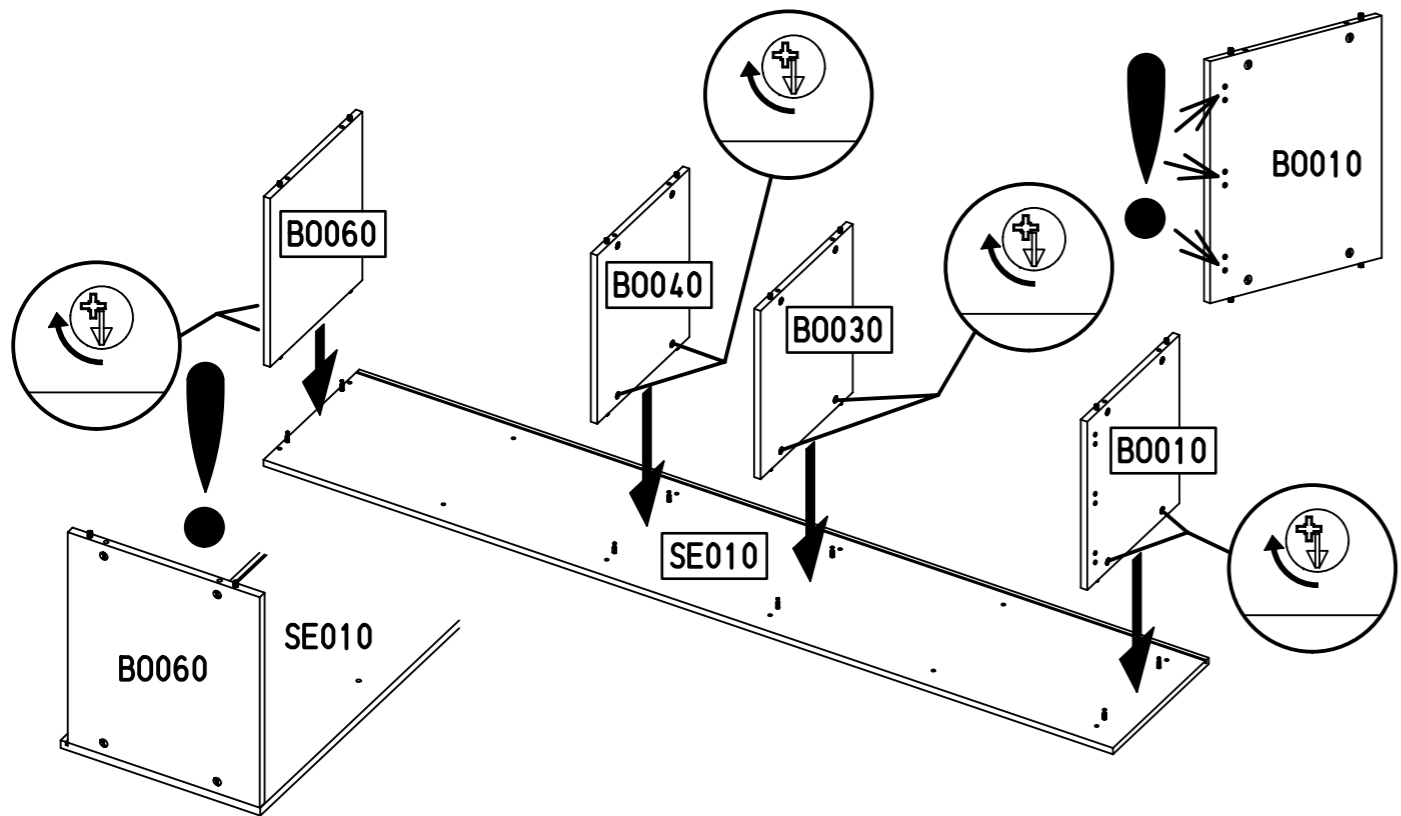
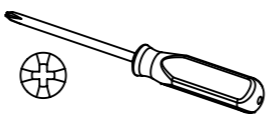


3

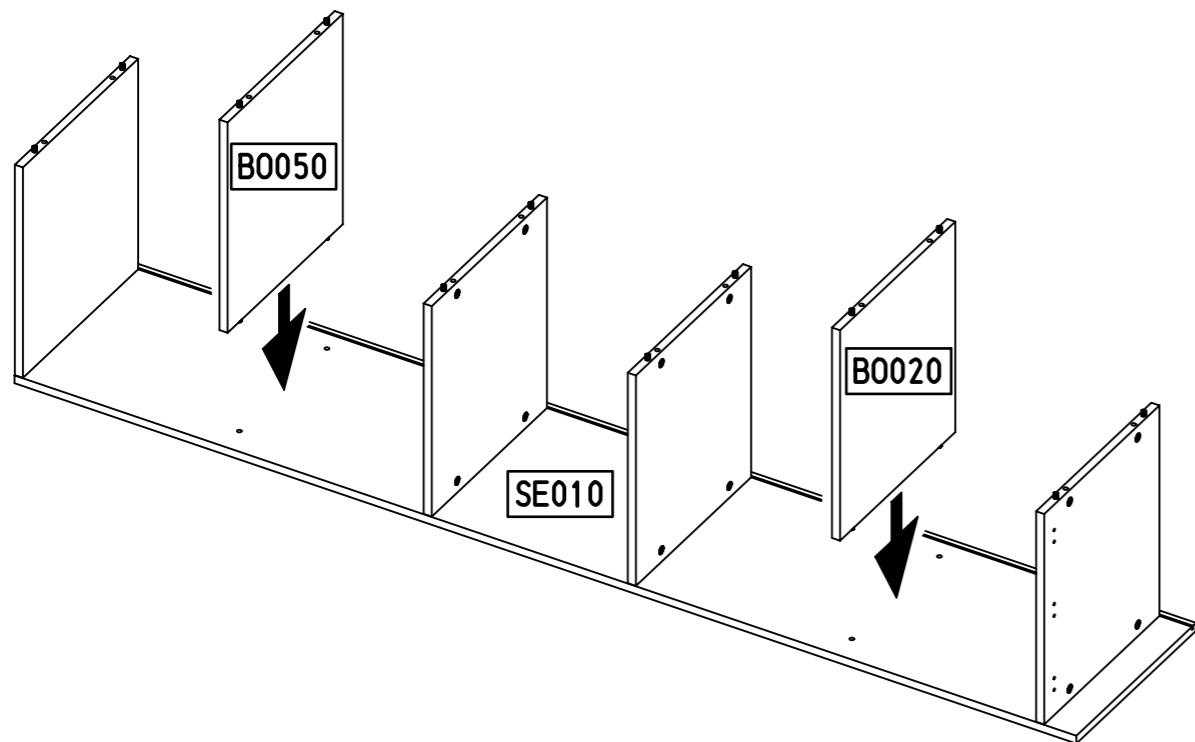
16x 349



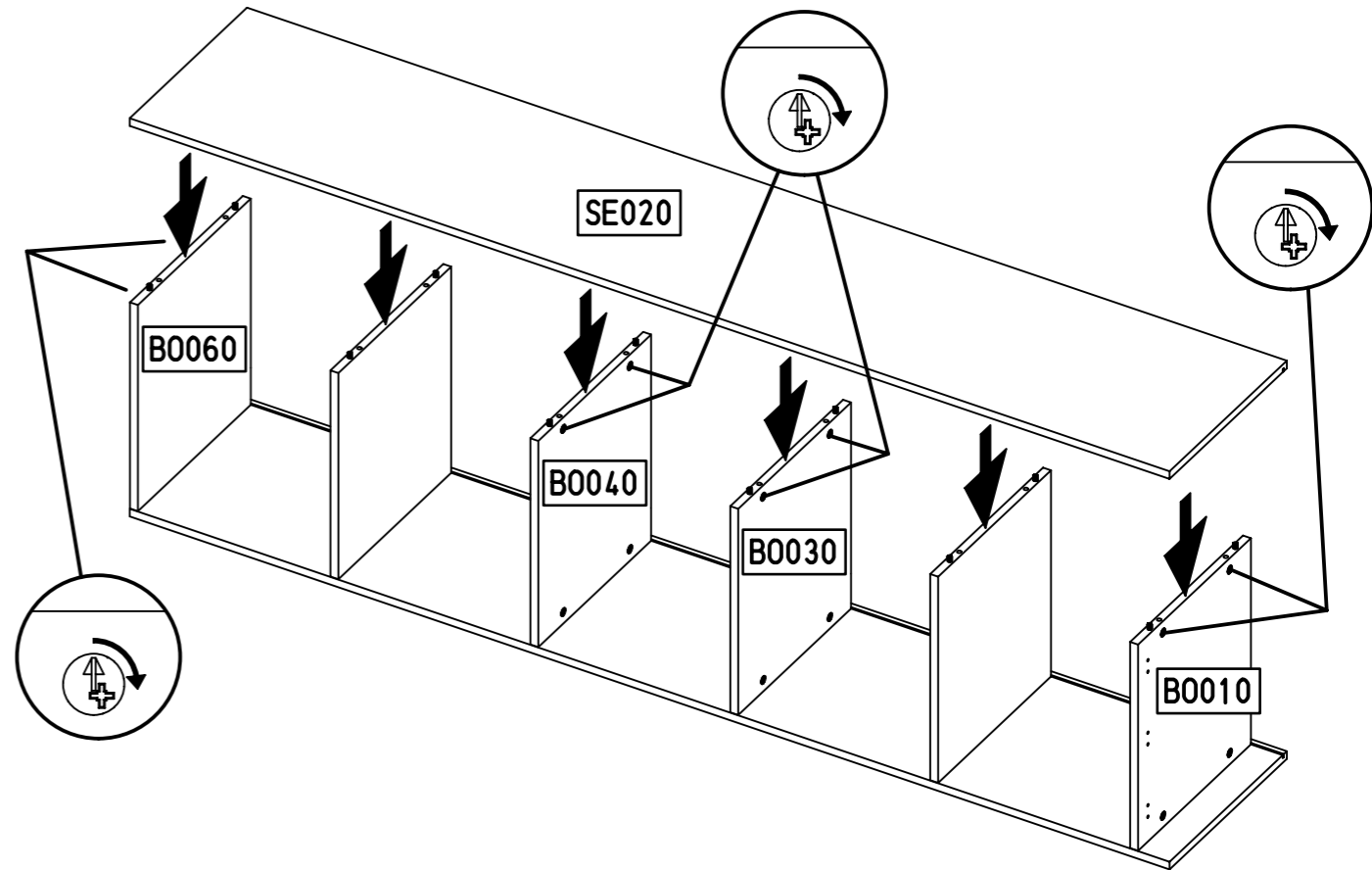
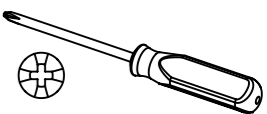
4



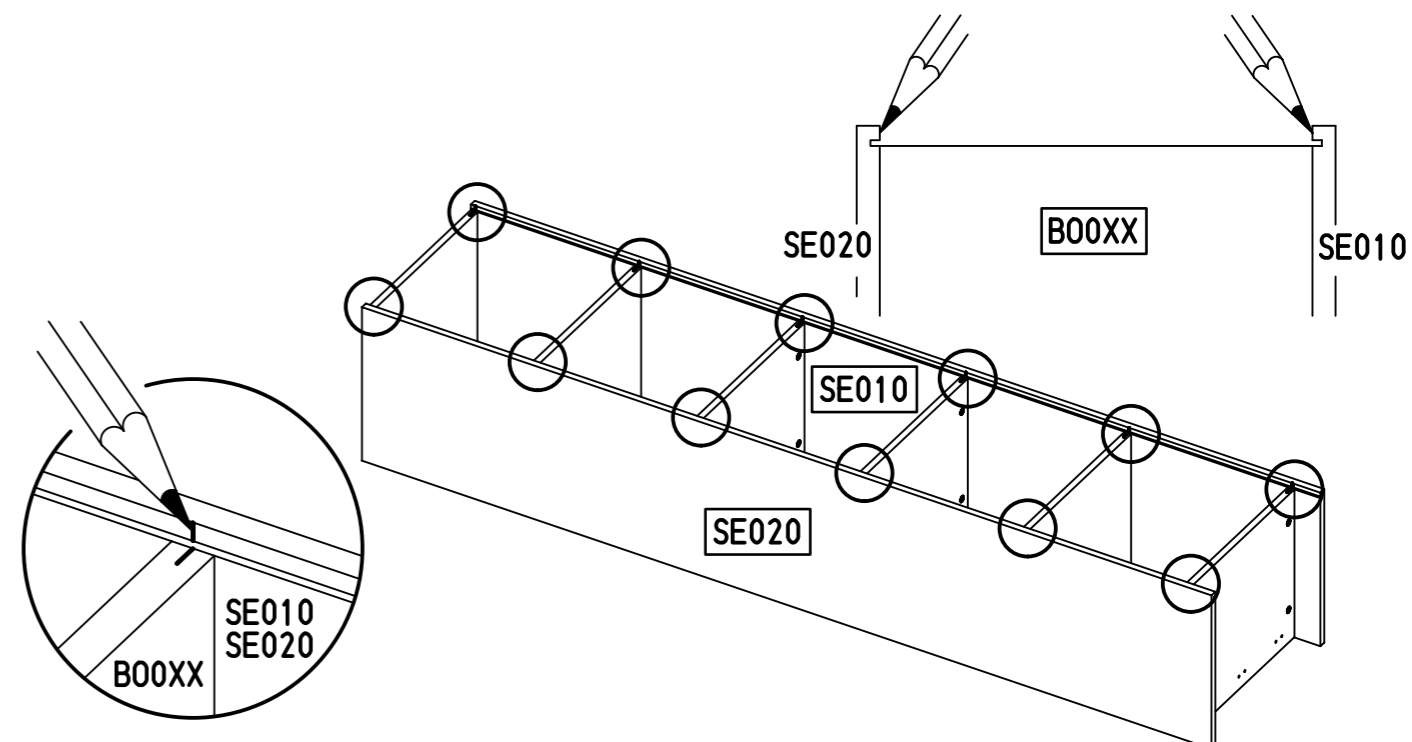
5



6



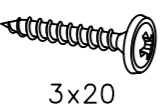
7



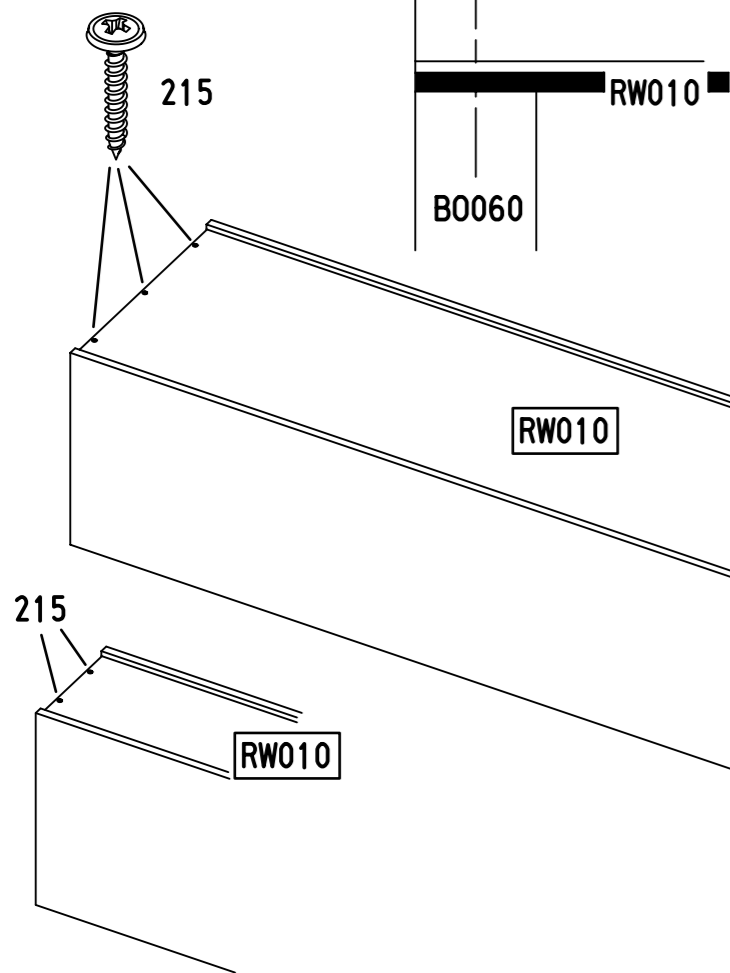
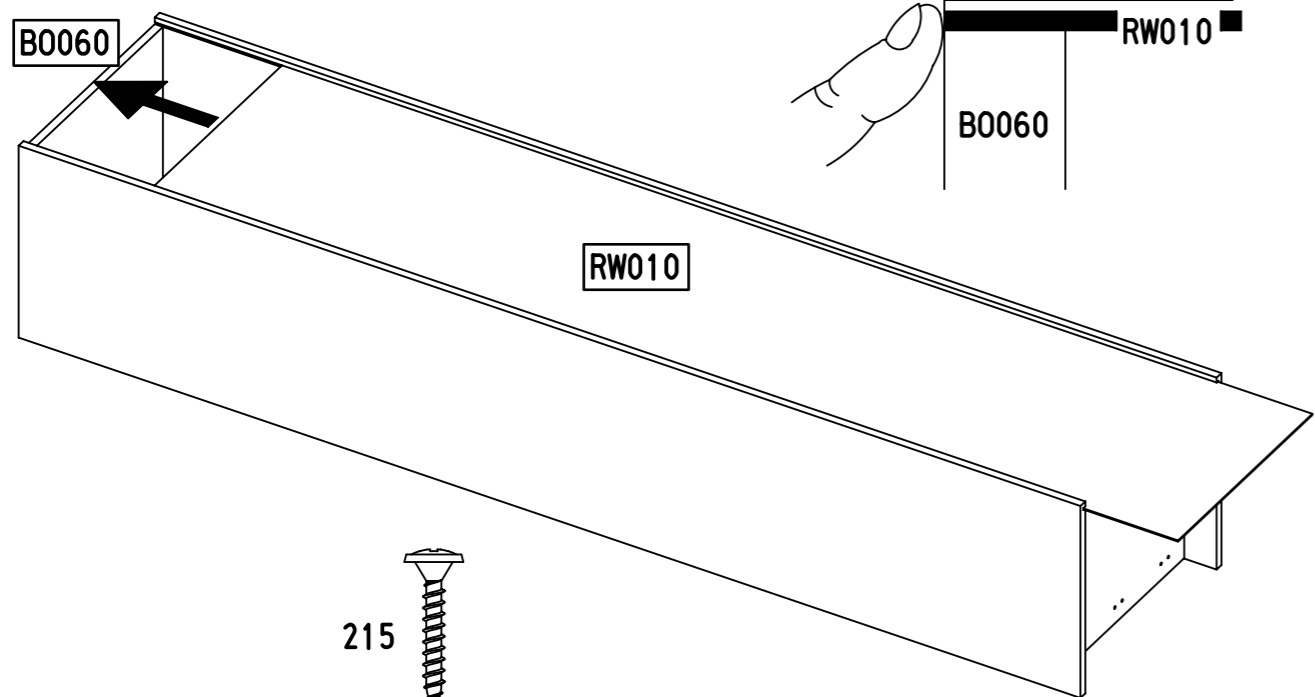
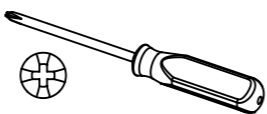
9.

8

3/2x 215



3x20

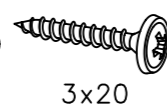


M2362

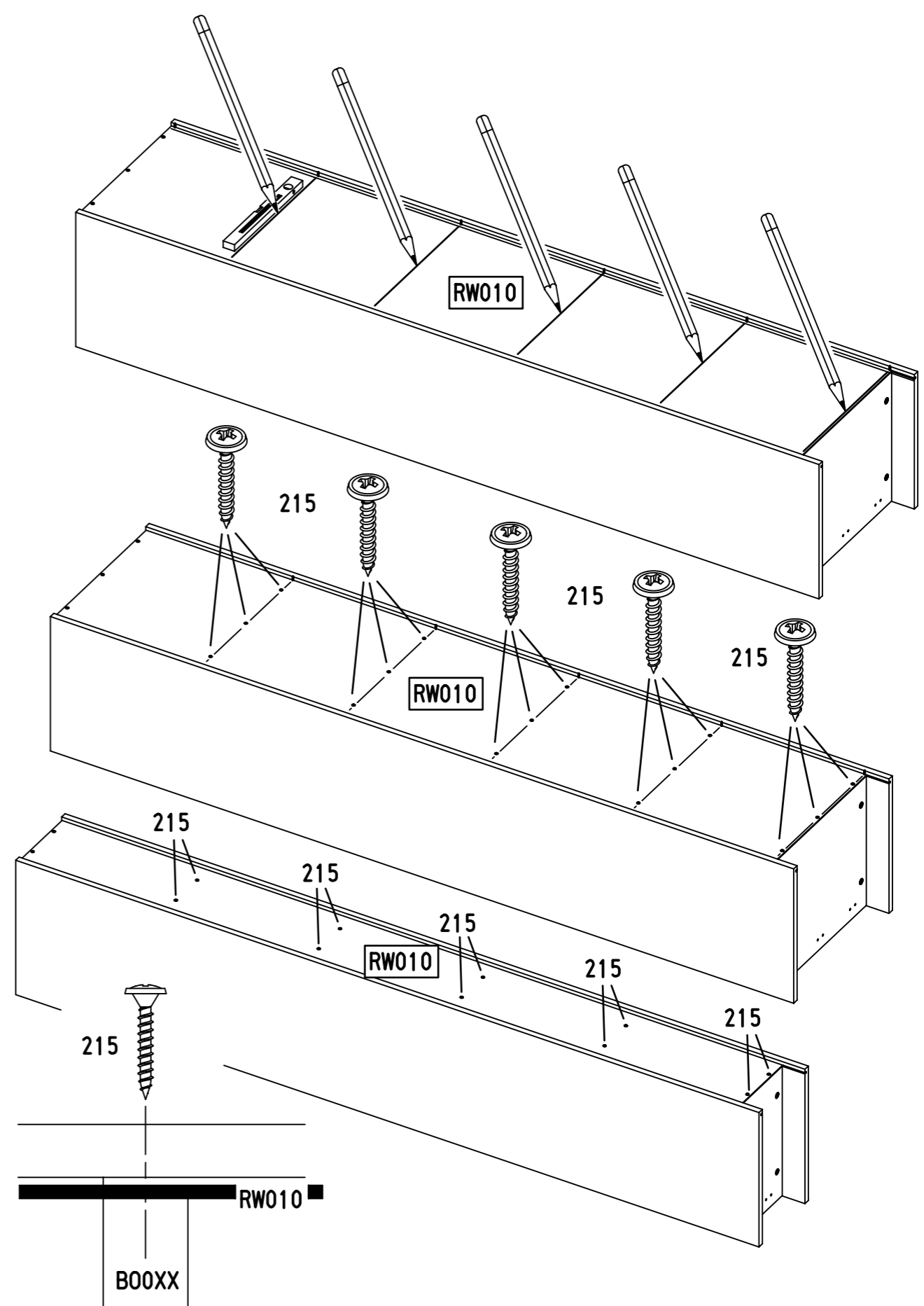
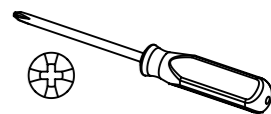
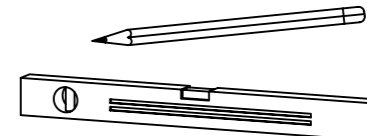
10.

9

15/10x 215



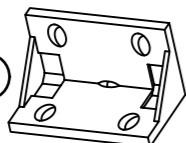
3x20



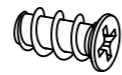
M2362

10

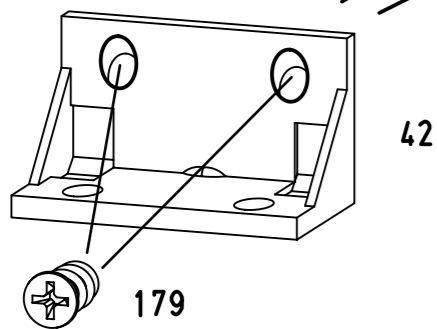
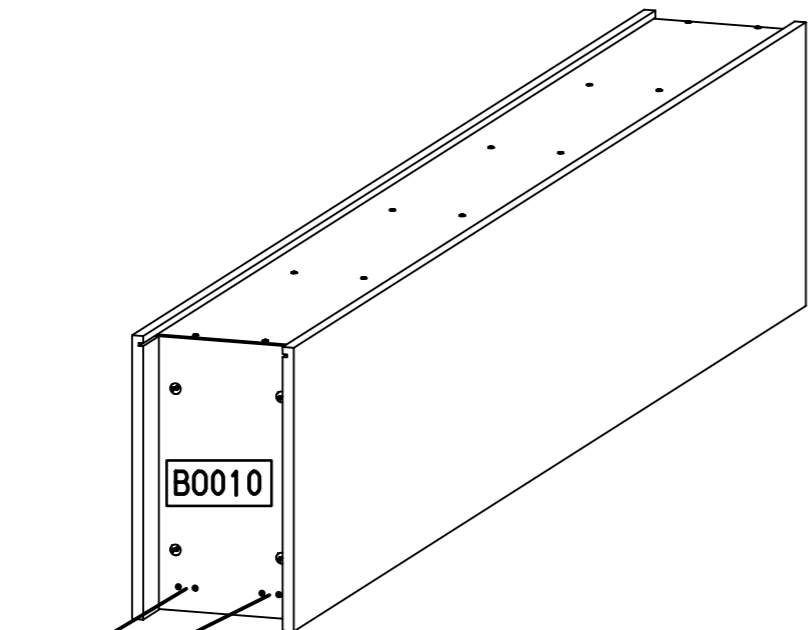
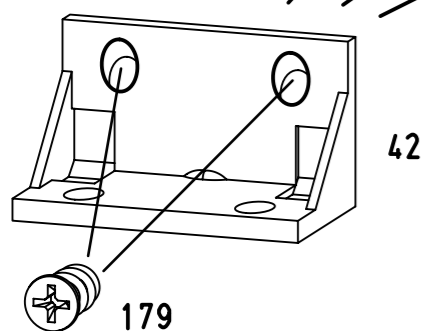
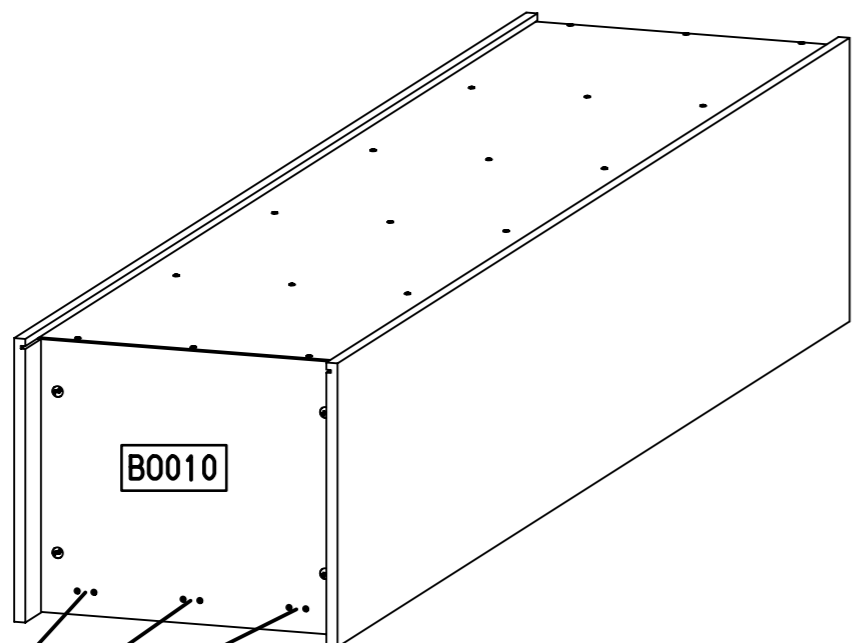
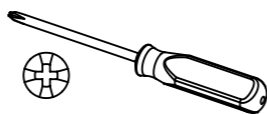
3/2x 42



6/4x 179

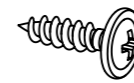


6,3x13

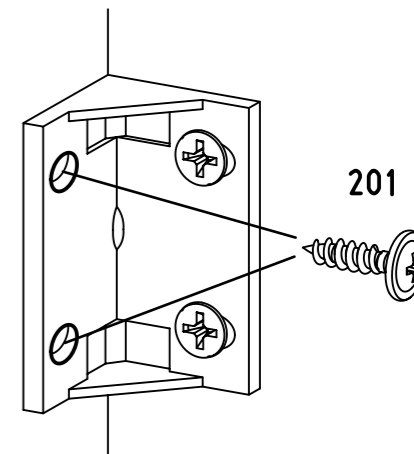
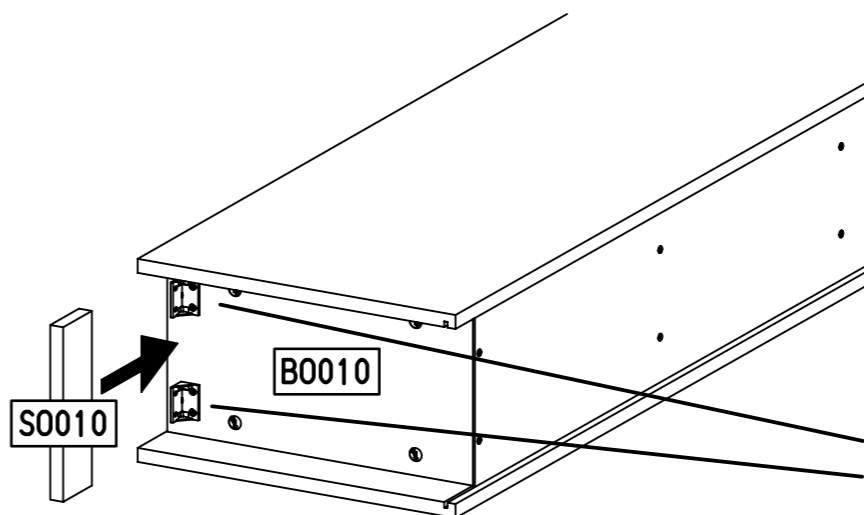
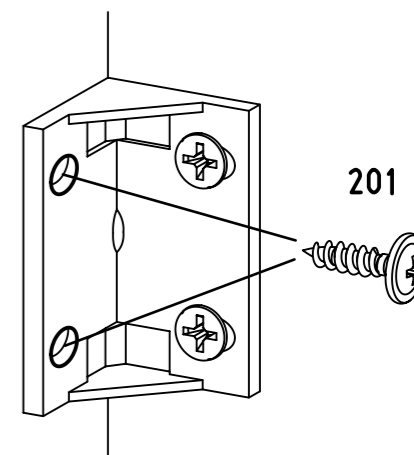
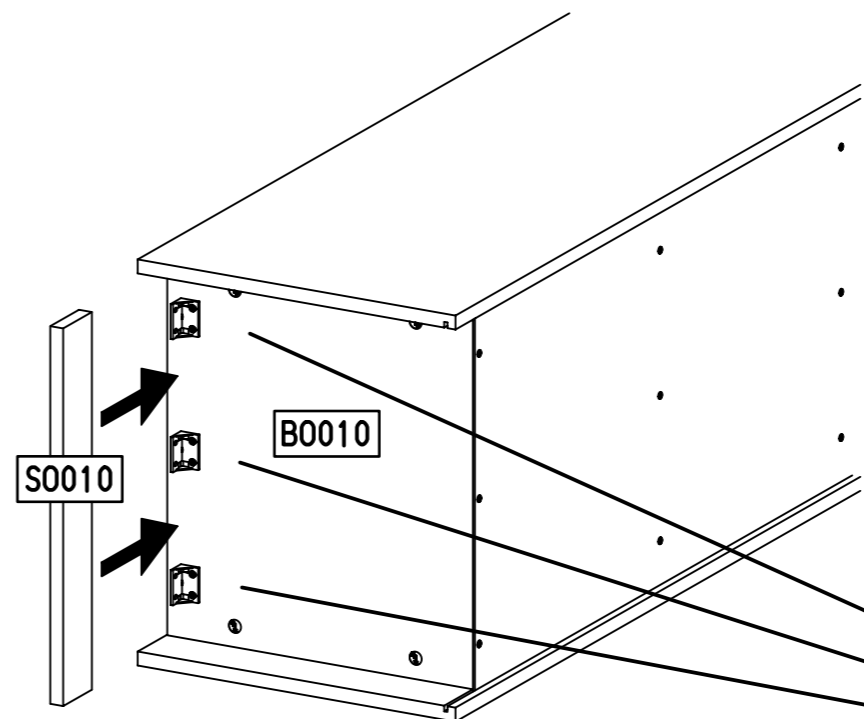
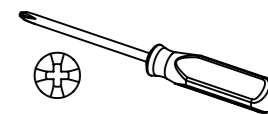


11

6/4x 201

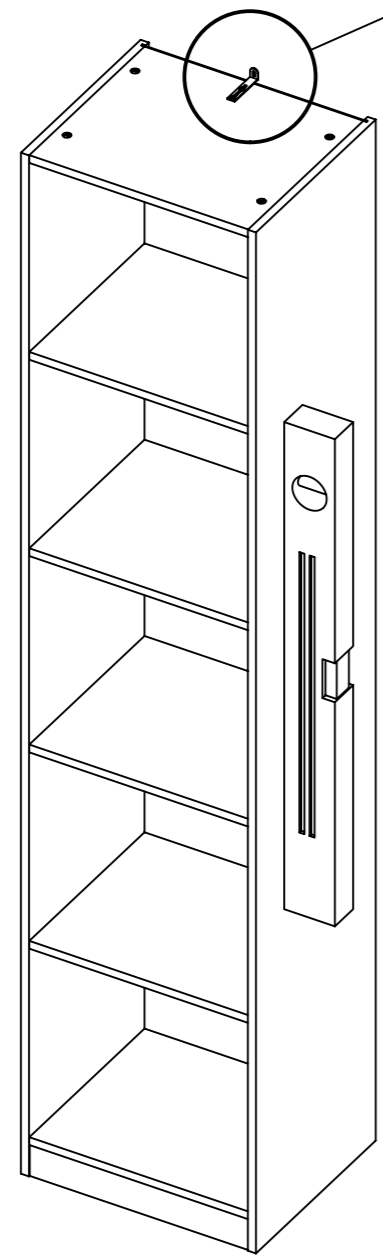
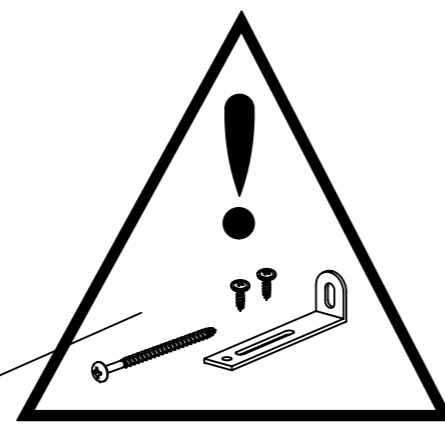
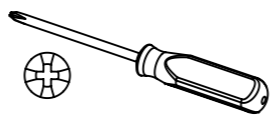
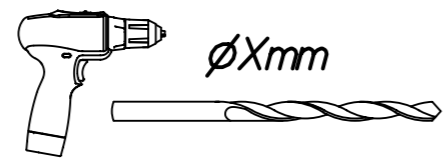


4x15



13.

12



14.

13

2x 203

