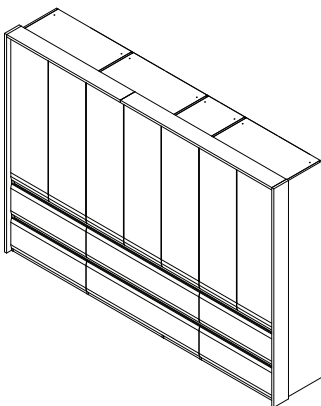
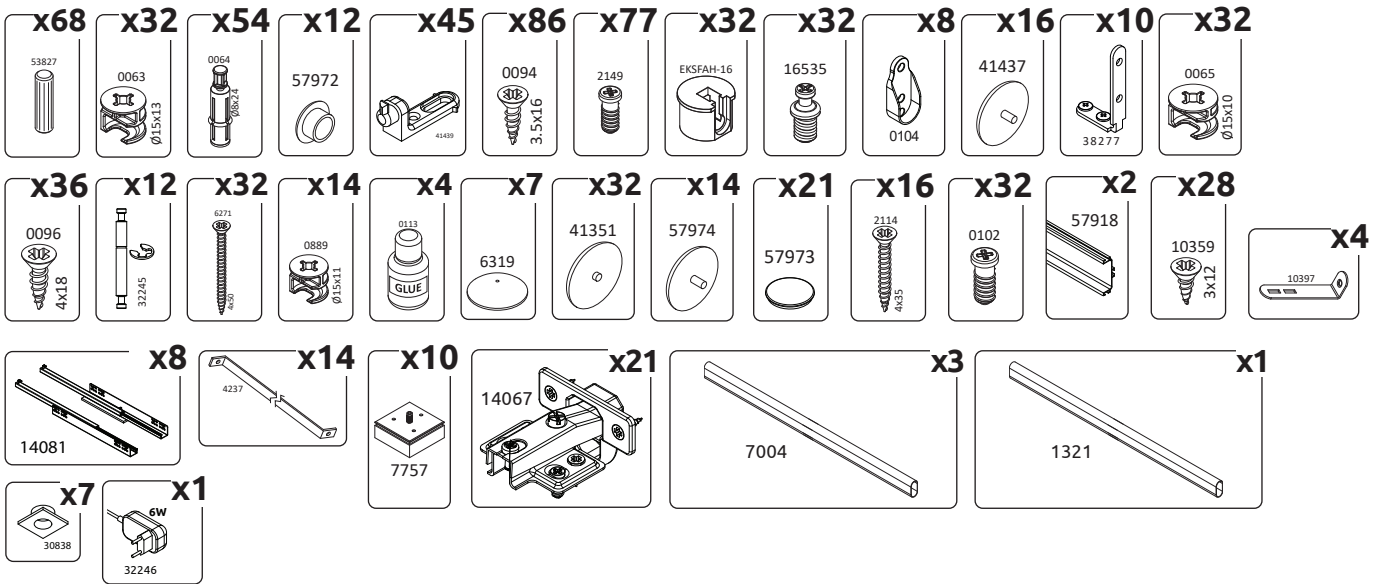
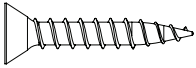
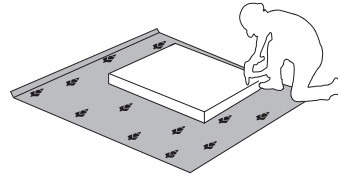
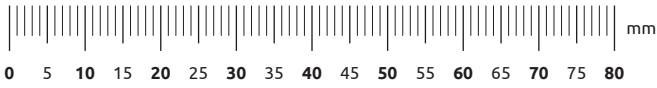
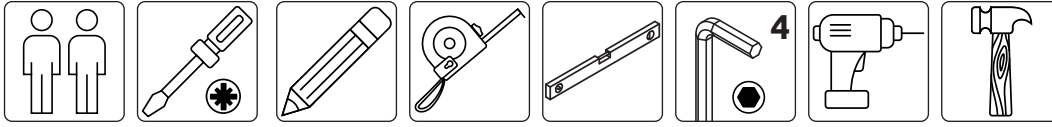
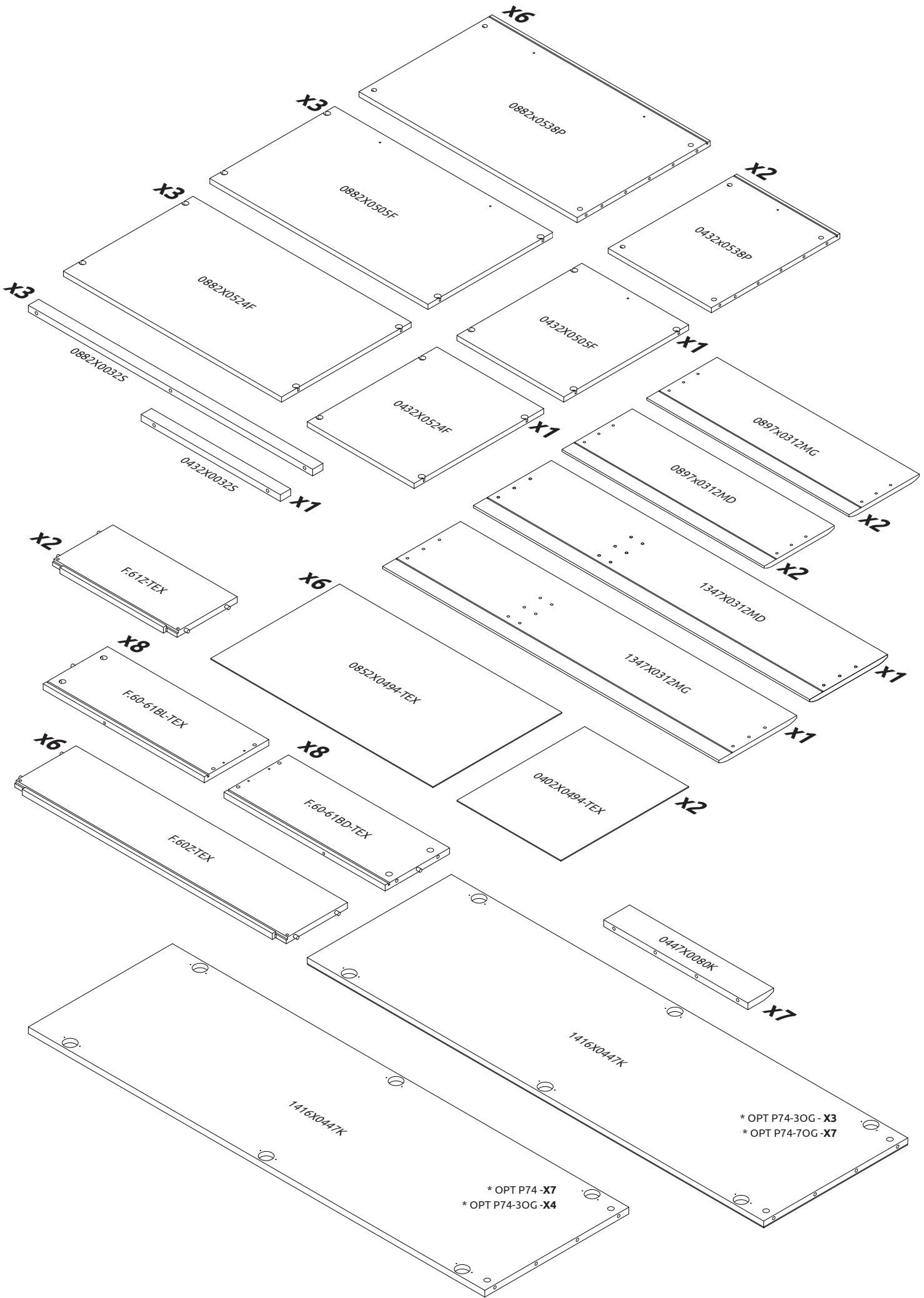




IMPORTANT - READ CAREFULLY - RETAIN FOR FUTURE REFERENCE
WICHTIG - SORGFÄLTIG LESEN UND AUFBEWAHREN

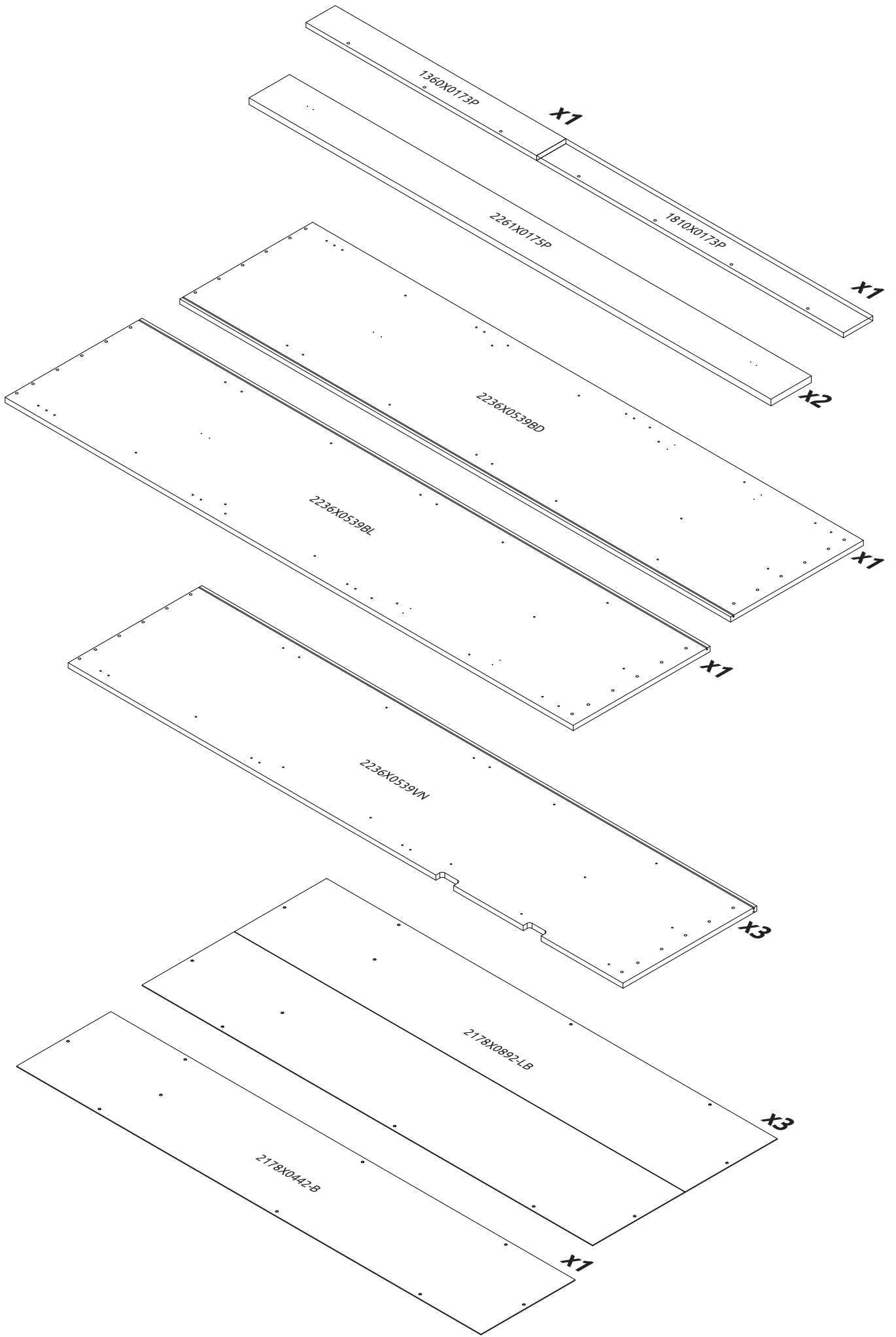


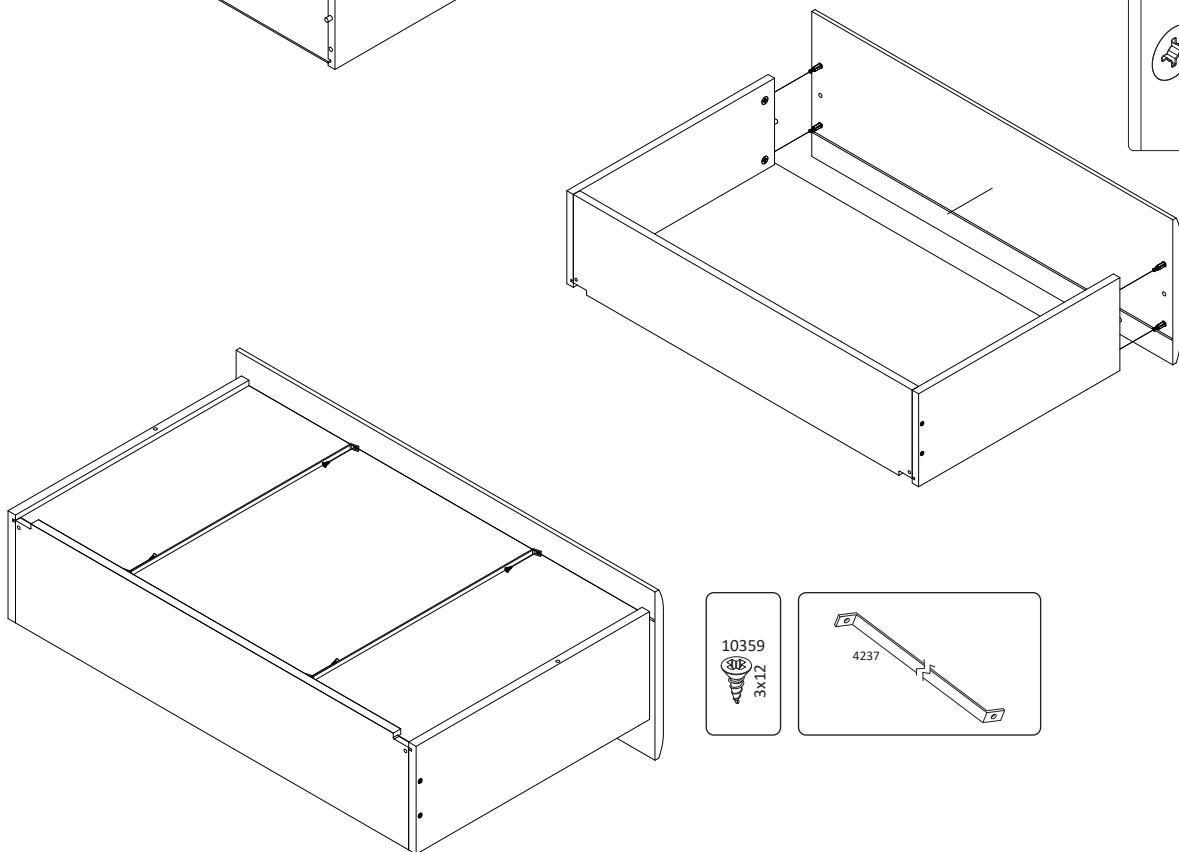
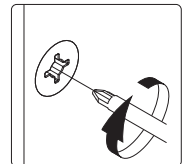
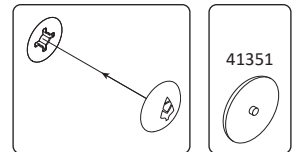
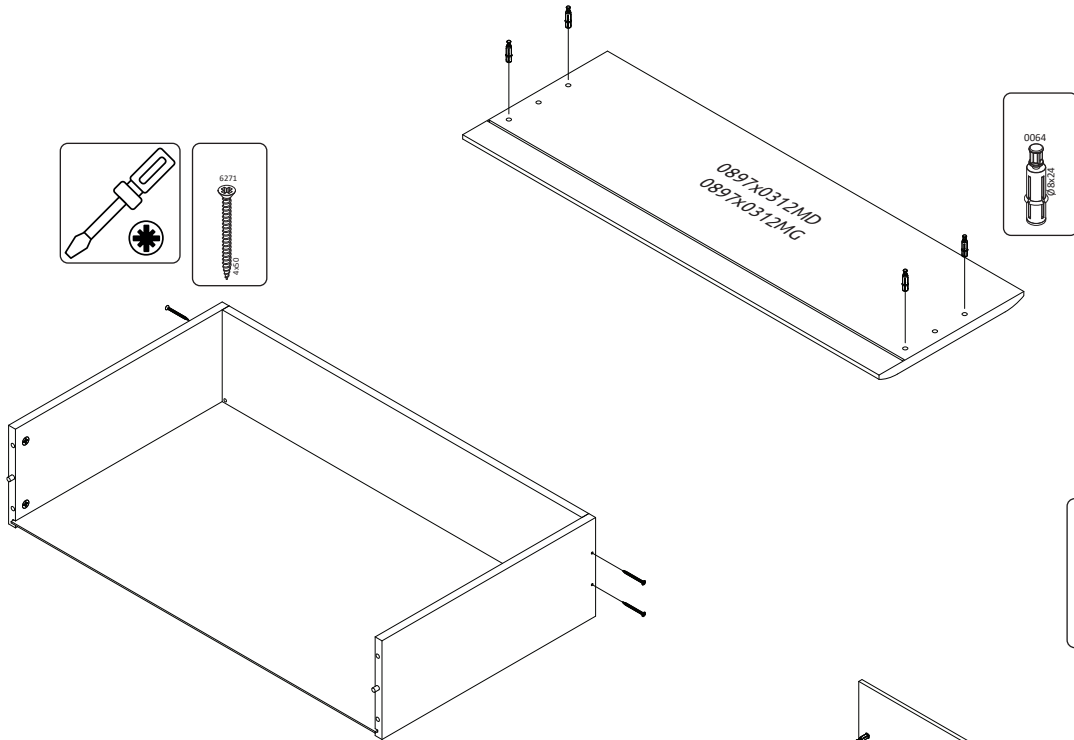
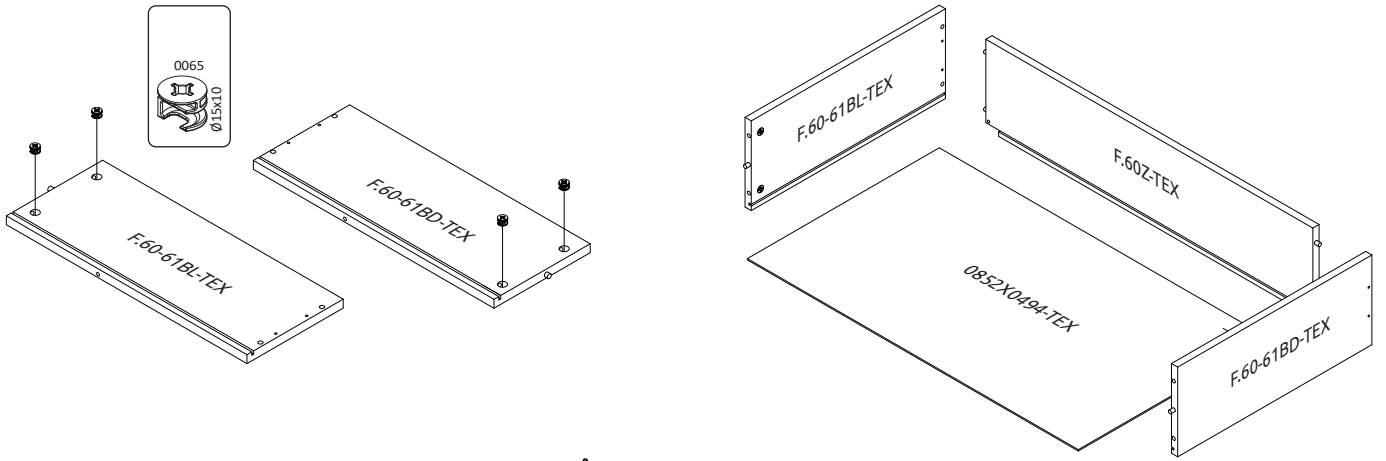
P76-IC
LWH - 3218x597x2261

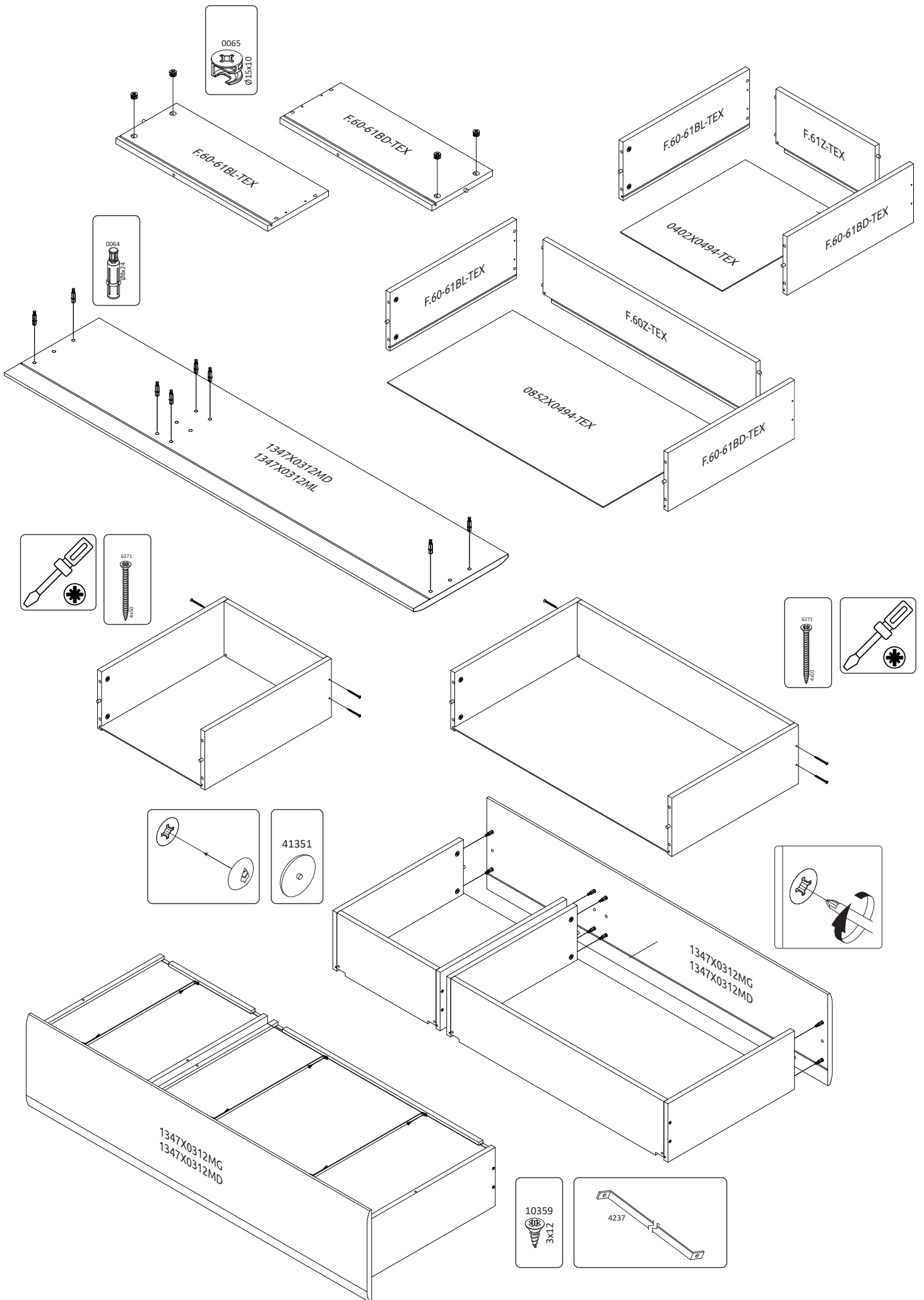


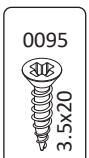
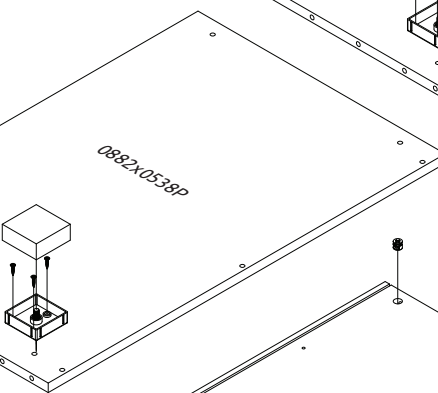
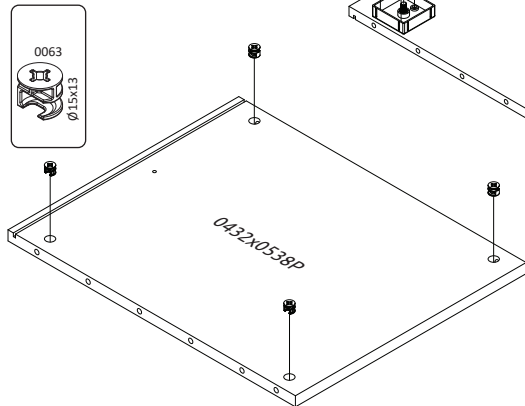
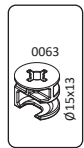
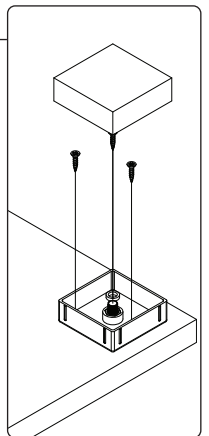
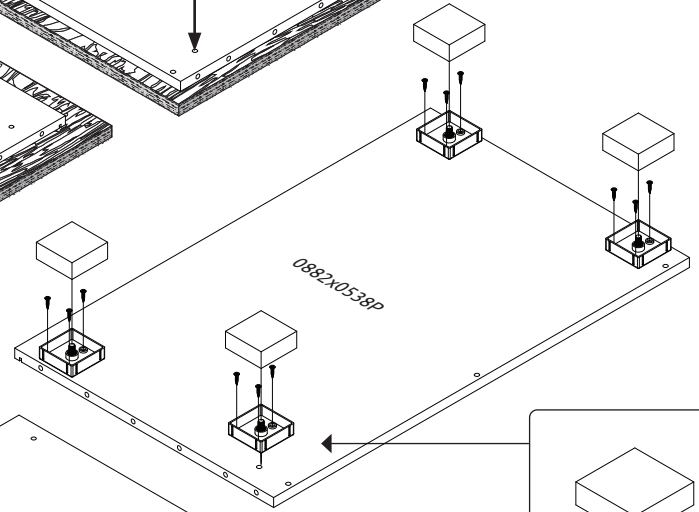
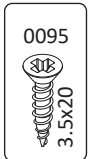
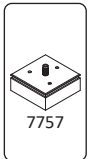
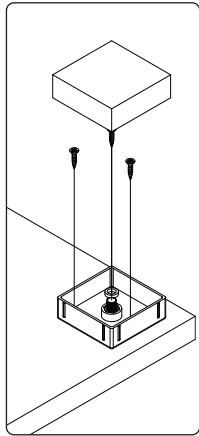
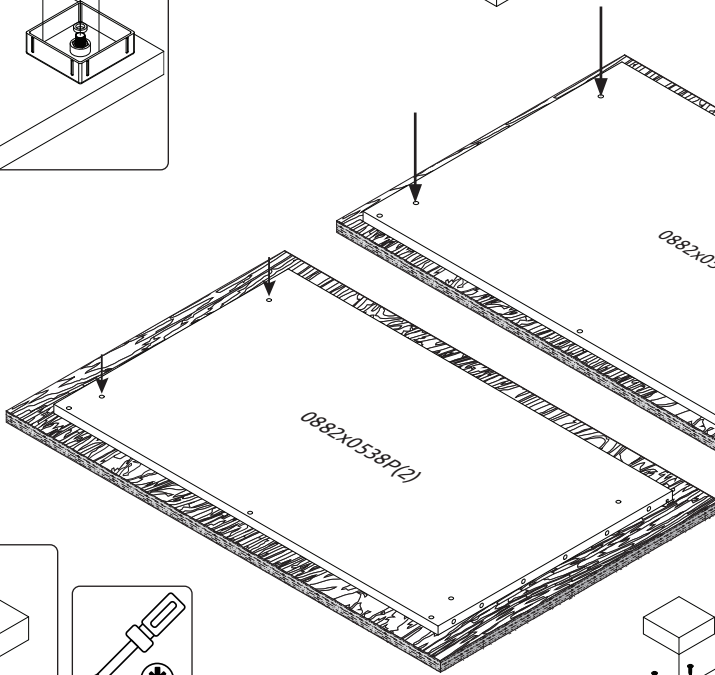
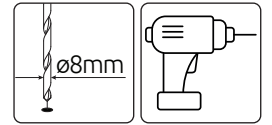
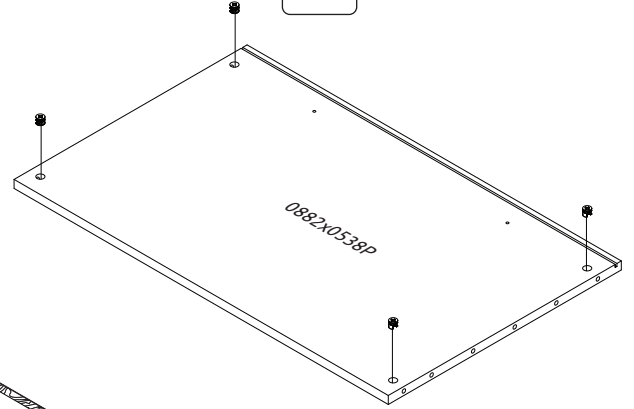
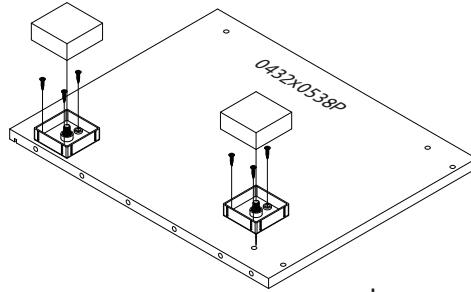
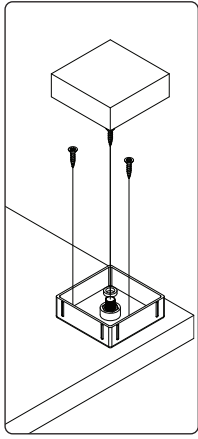
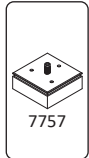
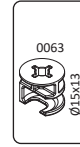
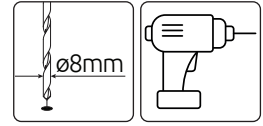
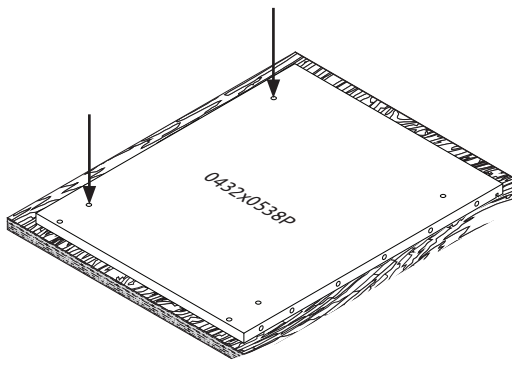
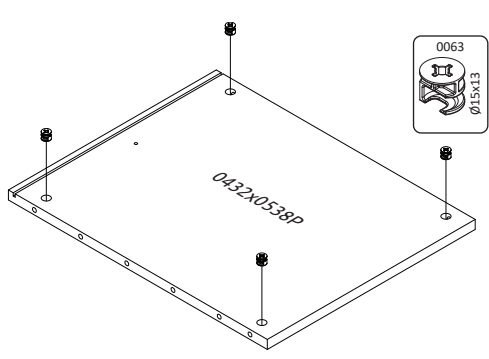
* OPT P74-30G - X3
 * OPT P74-70G - X7

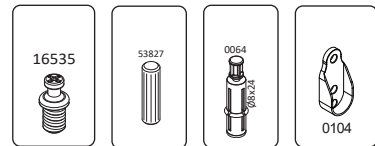
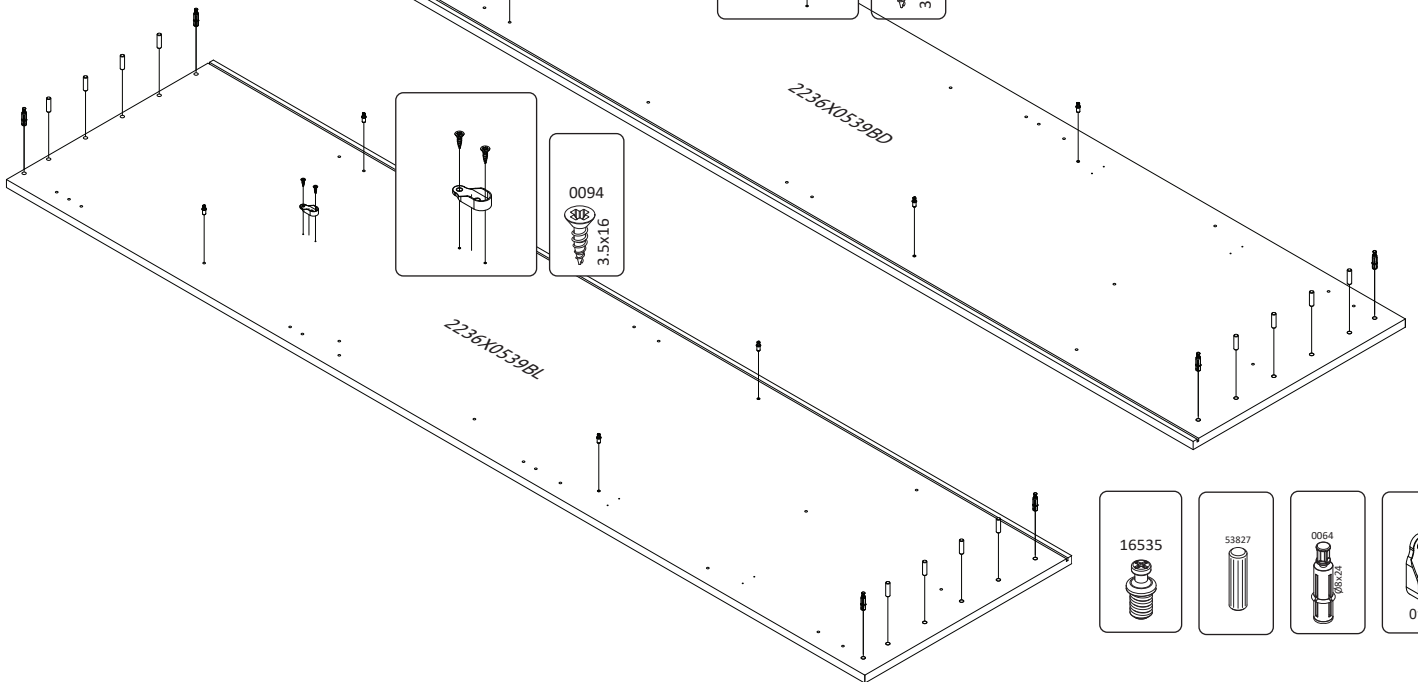
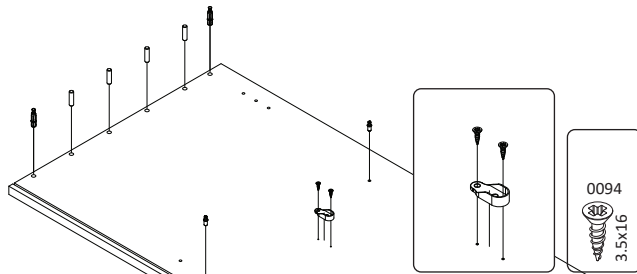
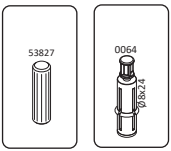
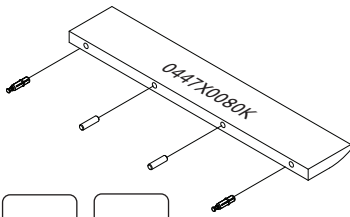
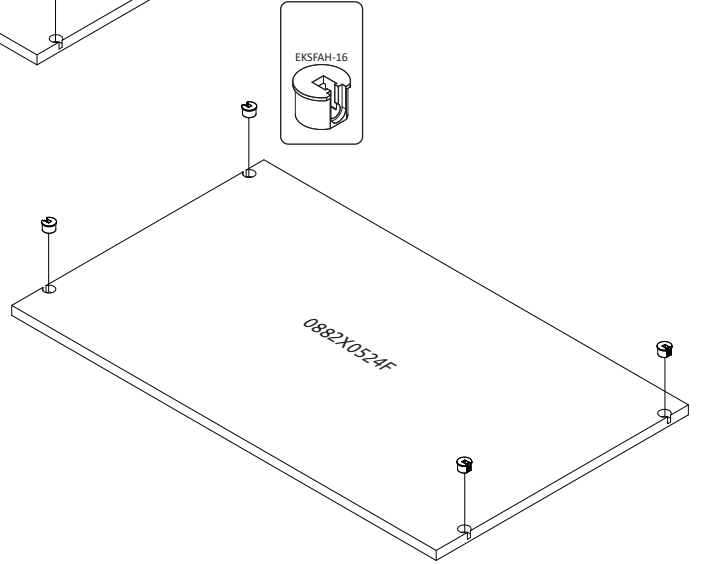
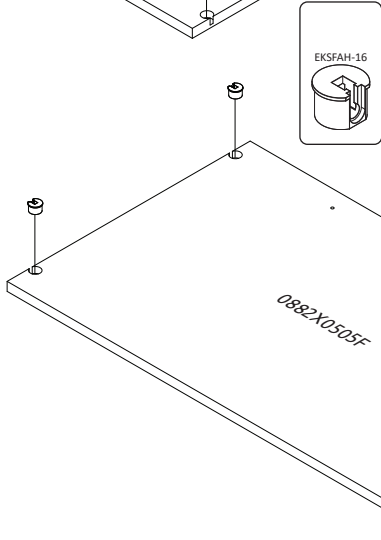
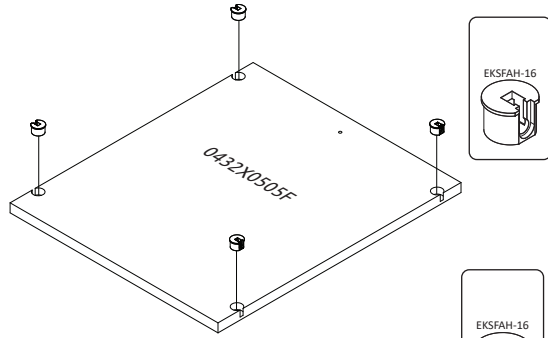
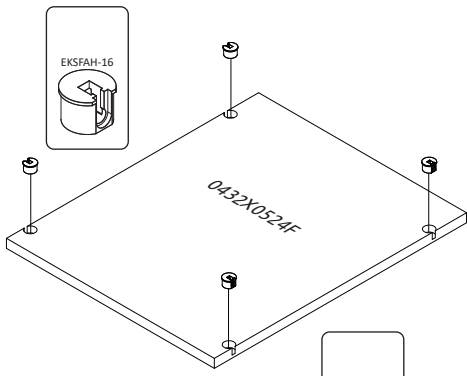
* OPT P74 - X7
 * OPT P74-30G - X4

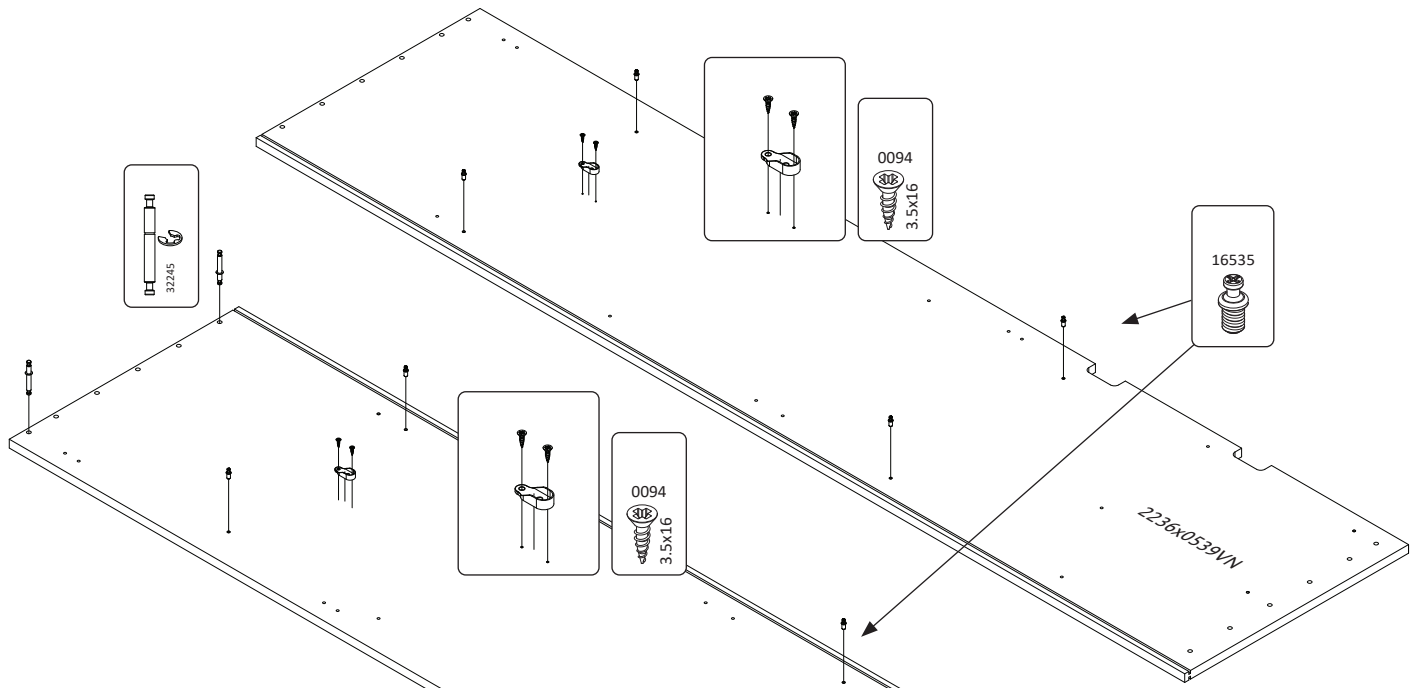




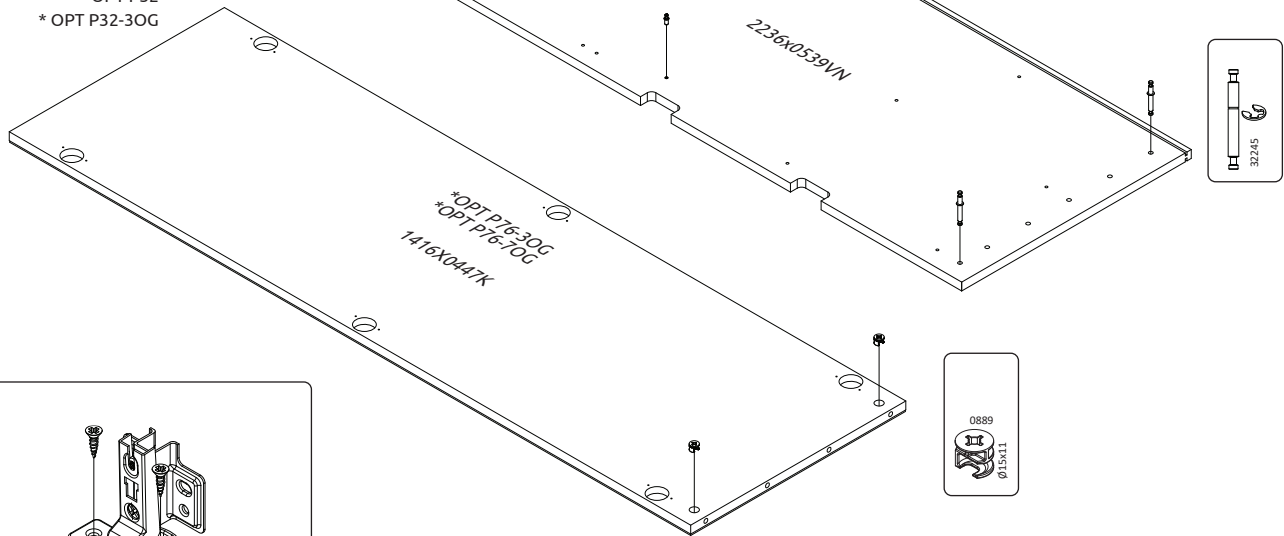




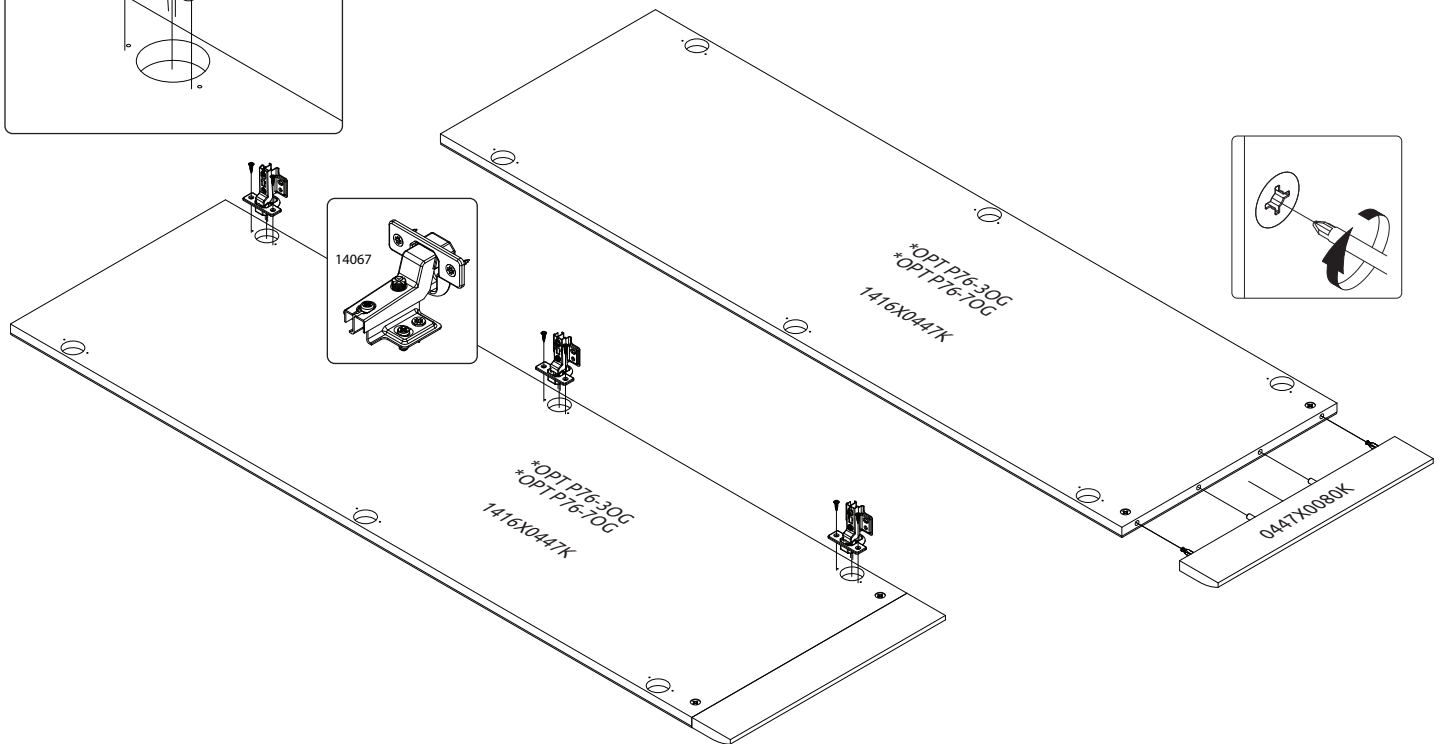
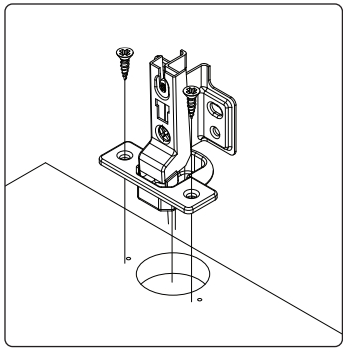
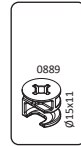


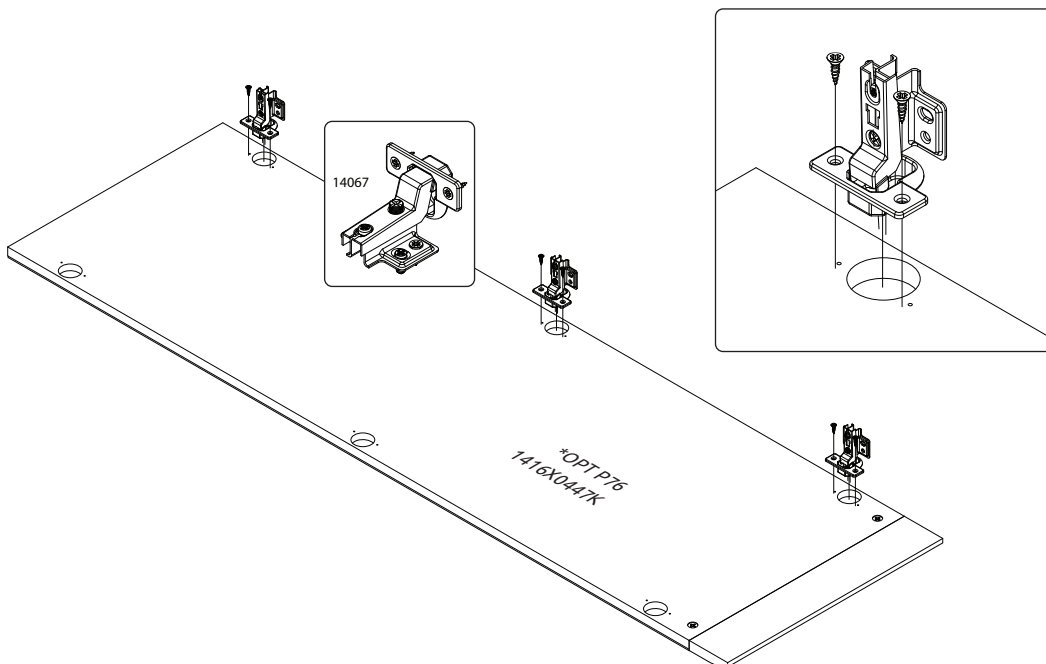
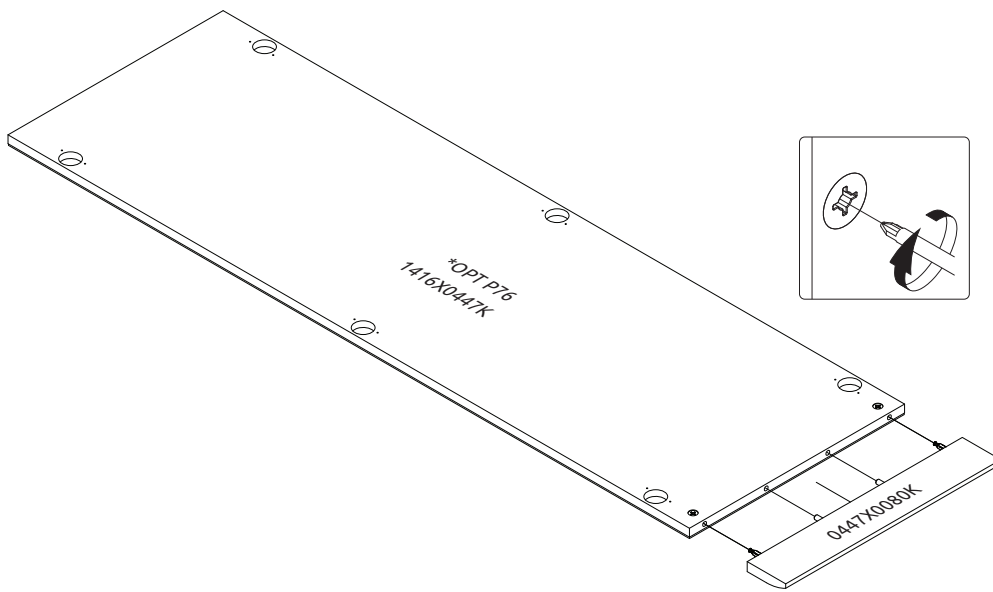
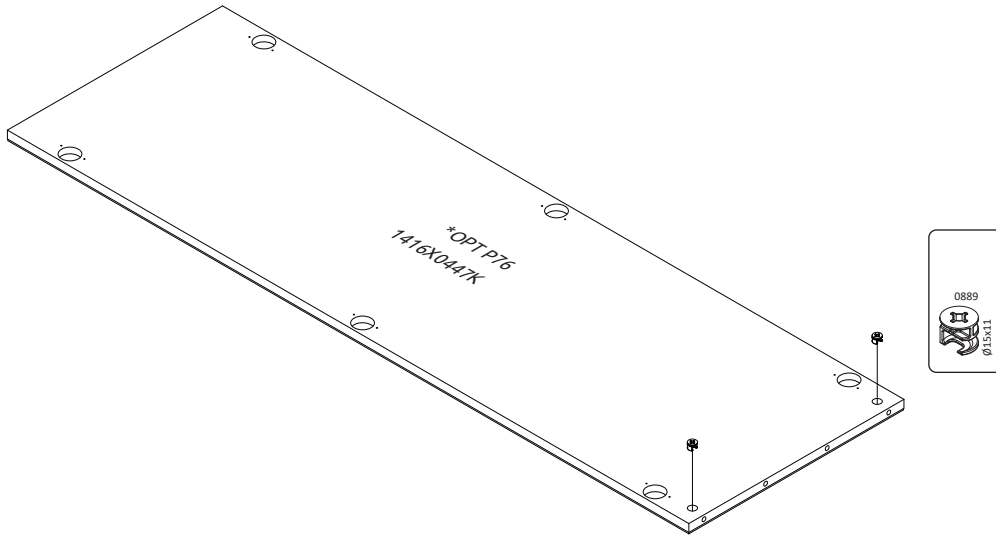


* OPT P32
* OPT P32-30G

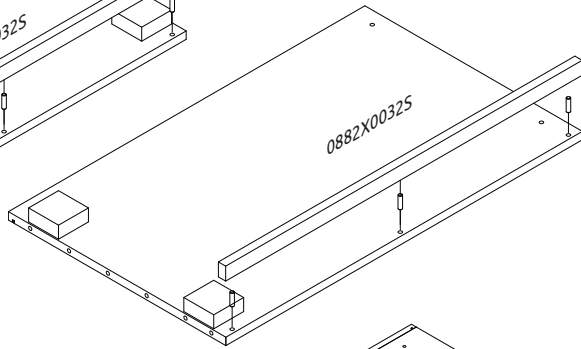
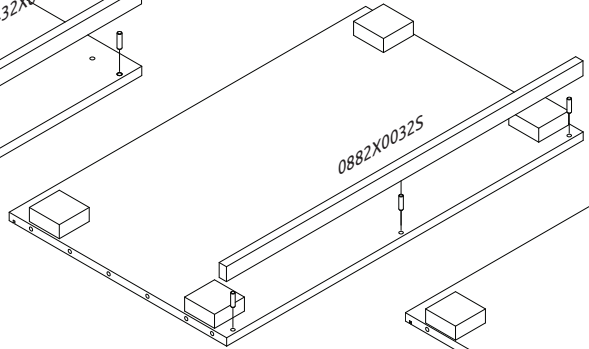
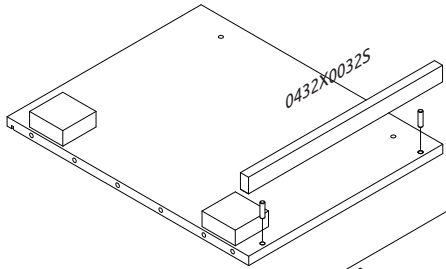
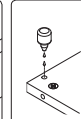
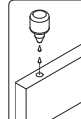
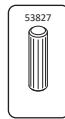


* OPT P16-30G
* OPT P16-70G
1416X0447K

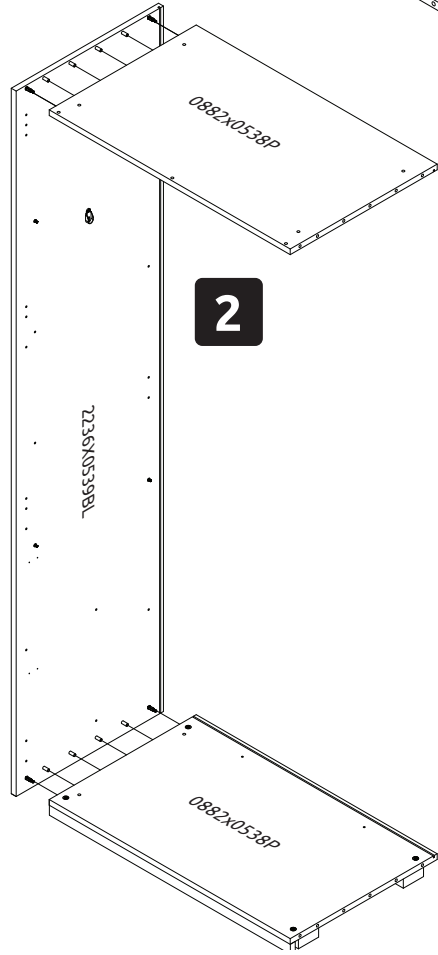




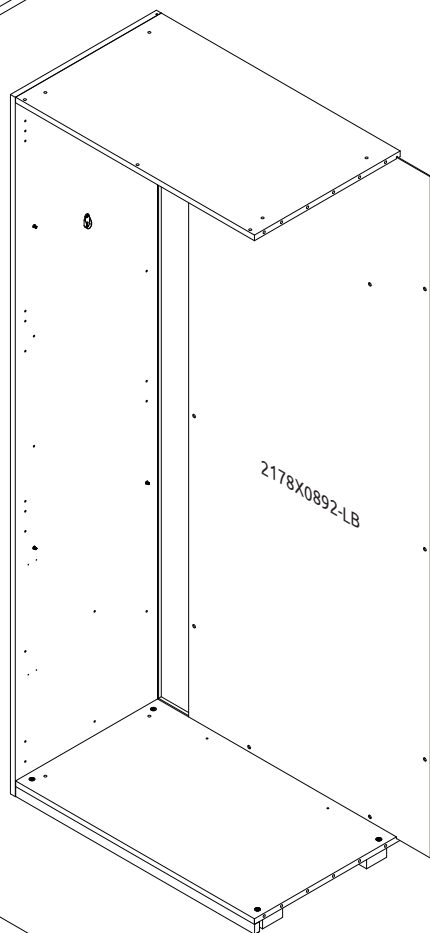
1



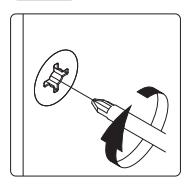
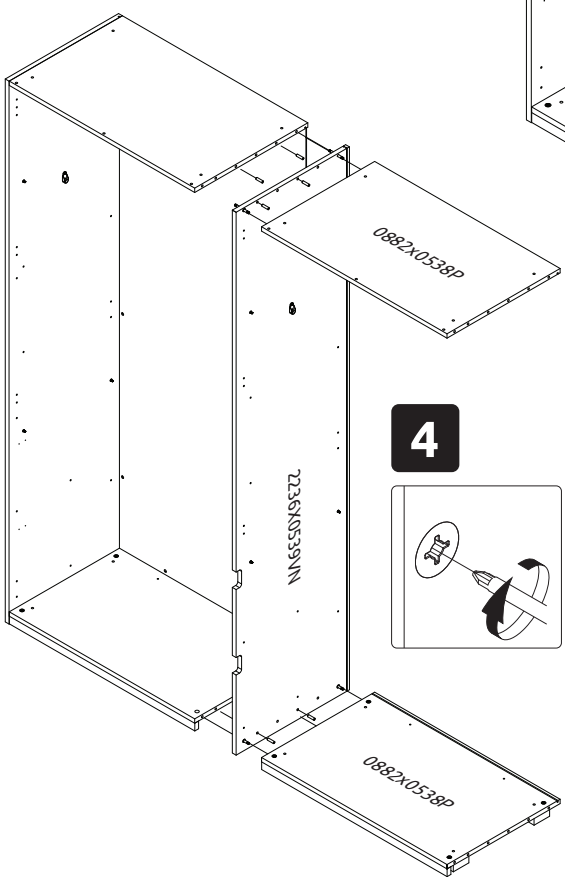
2

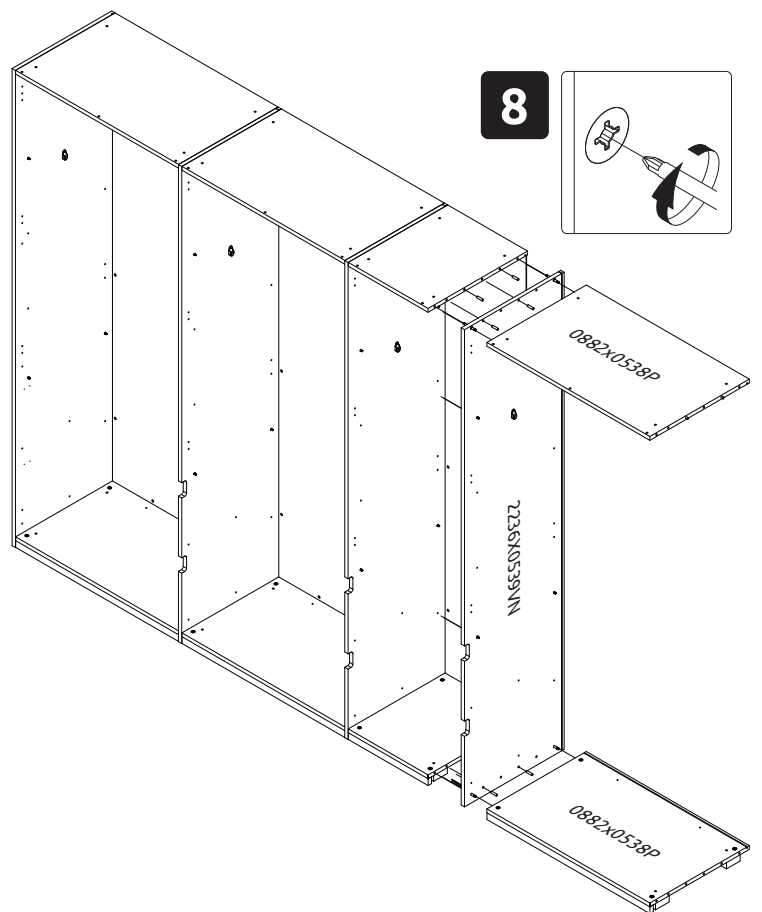
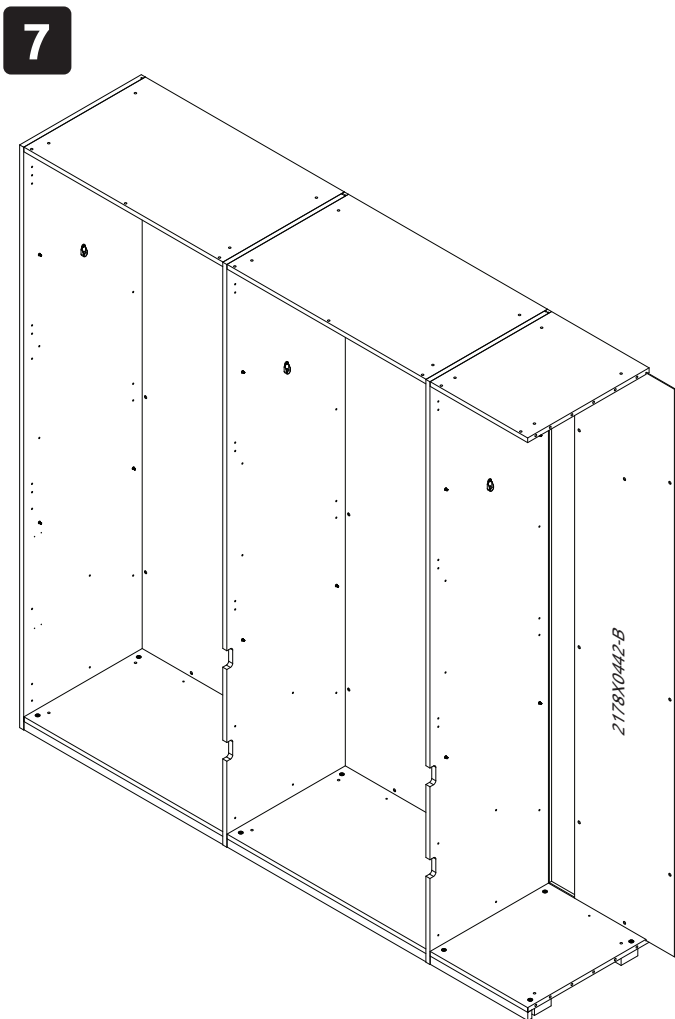
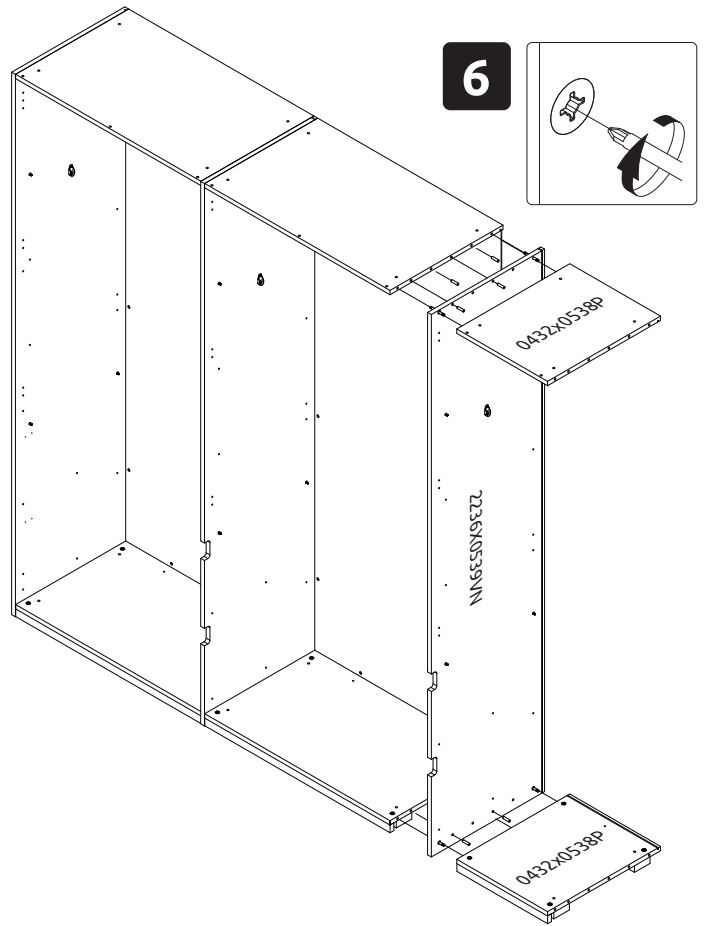
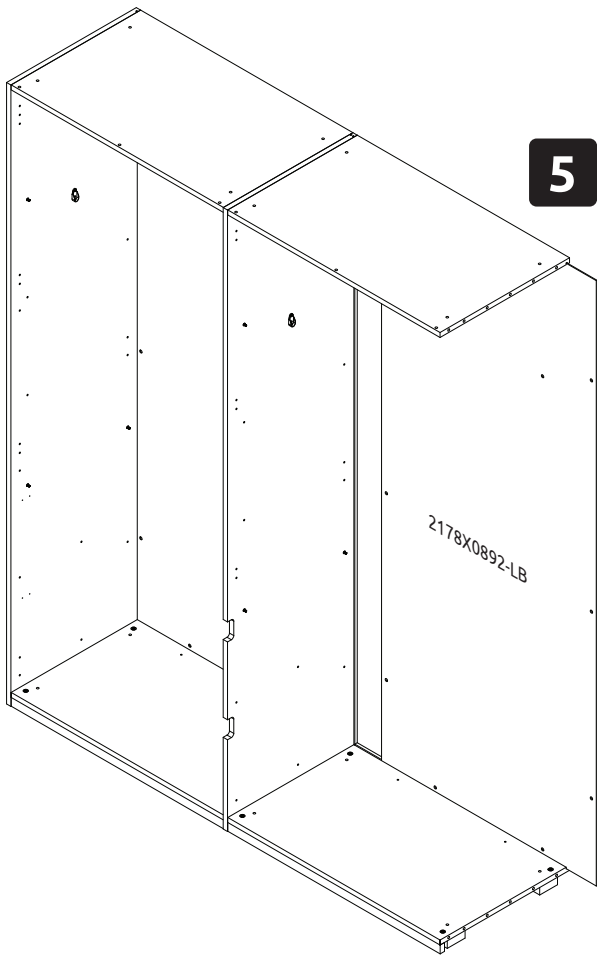


3

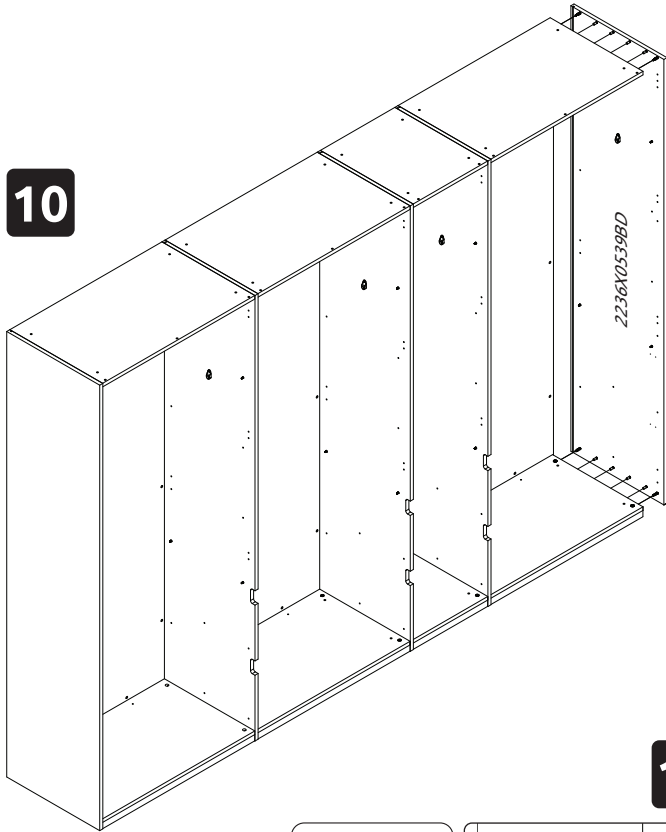


4

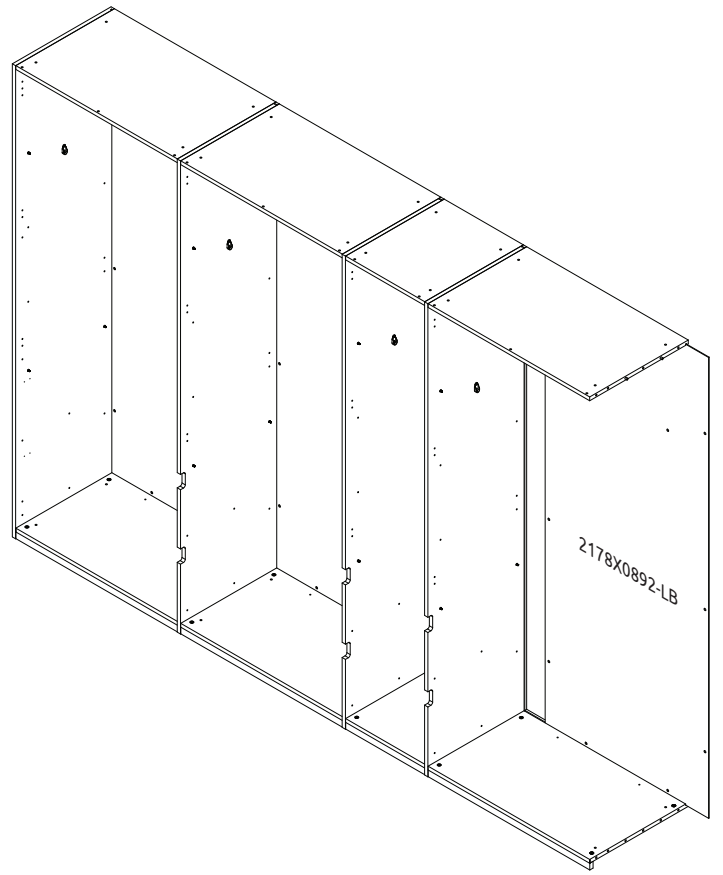




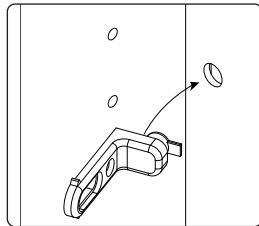
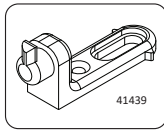
10



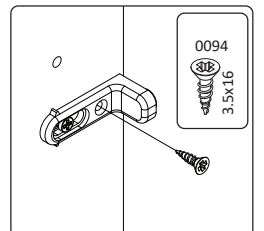
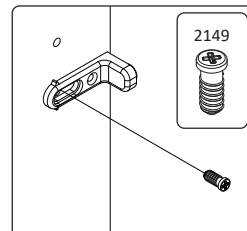
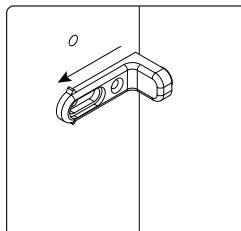
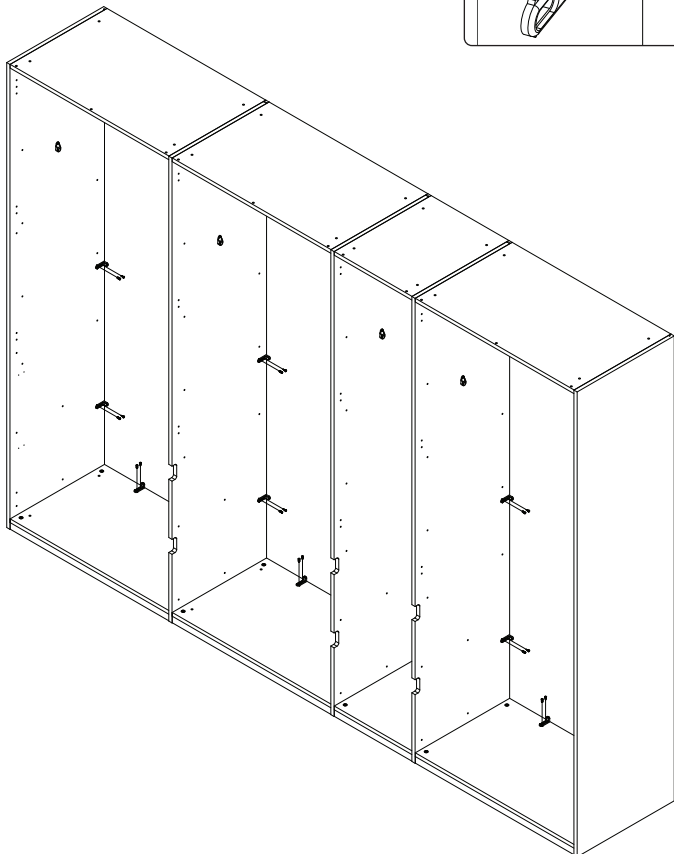
9



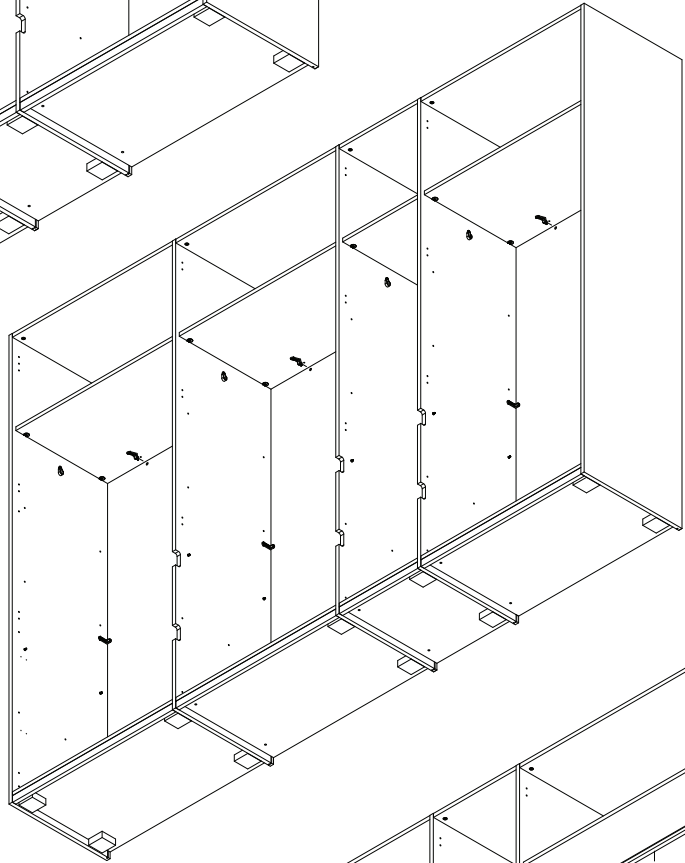
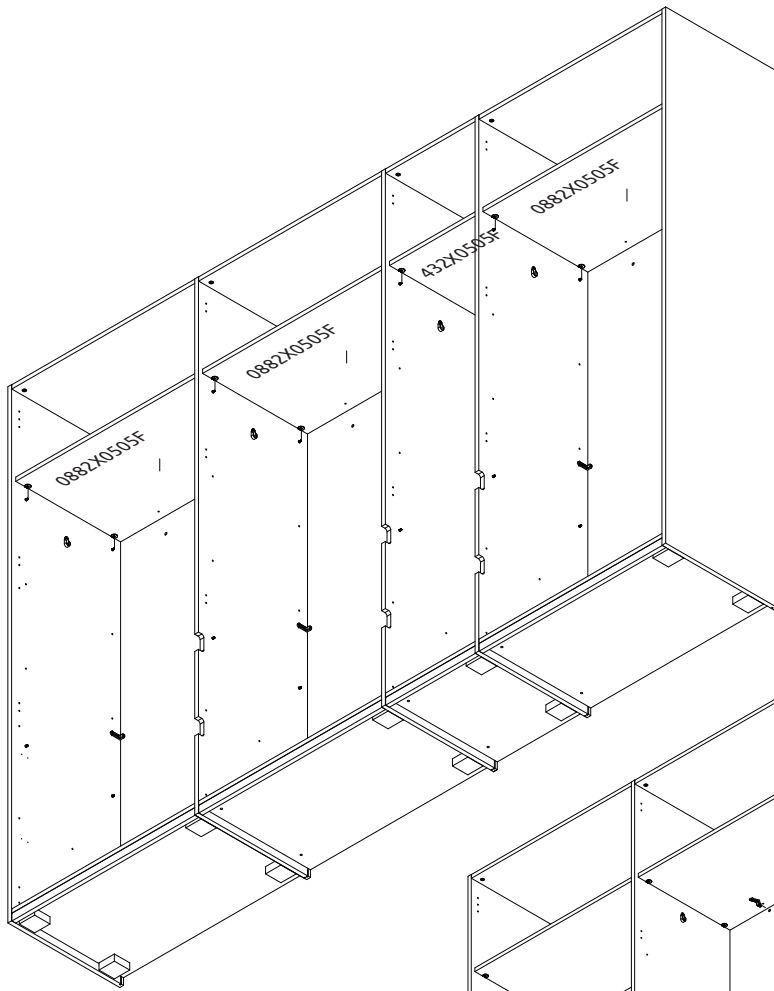
11



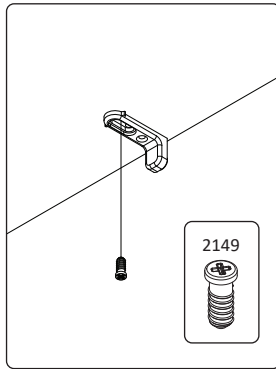
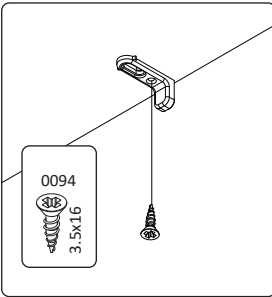
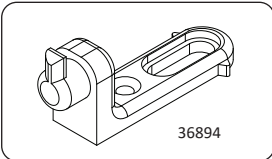
12



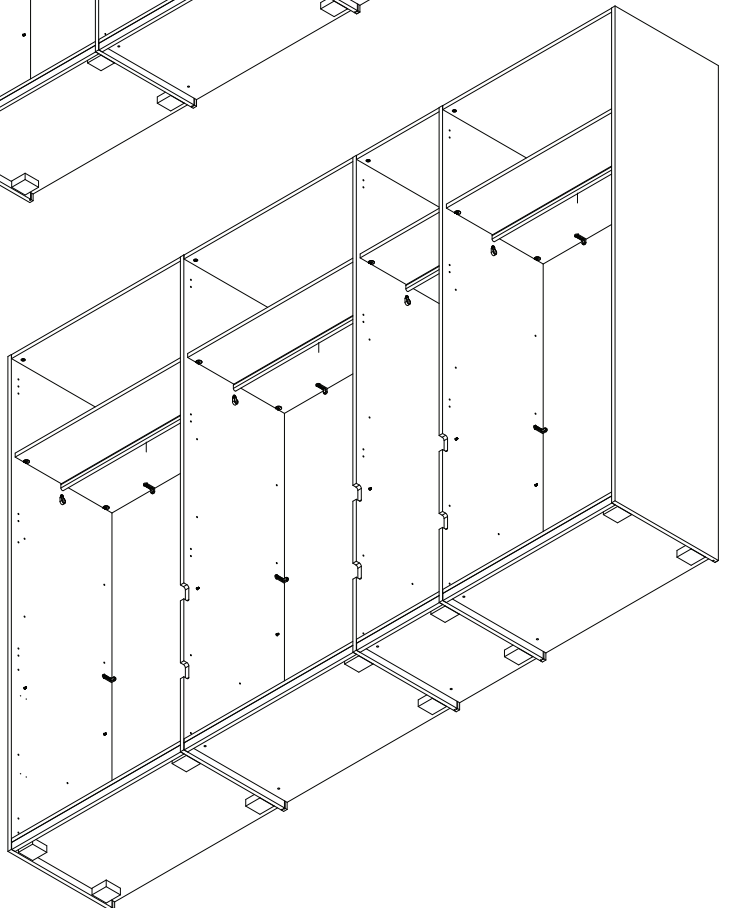
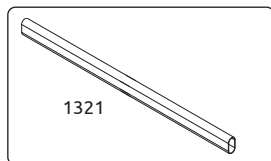
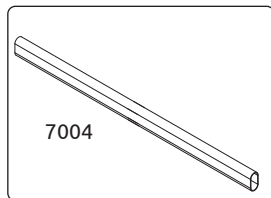
13



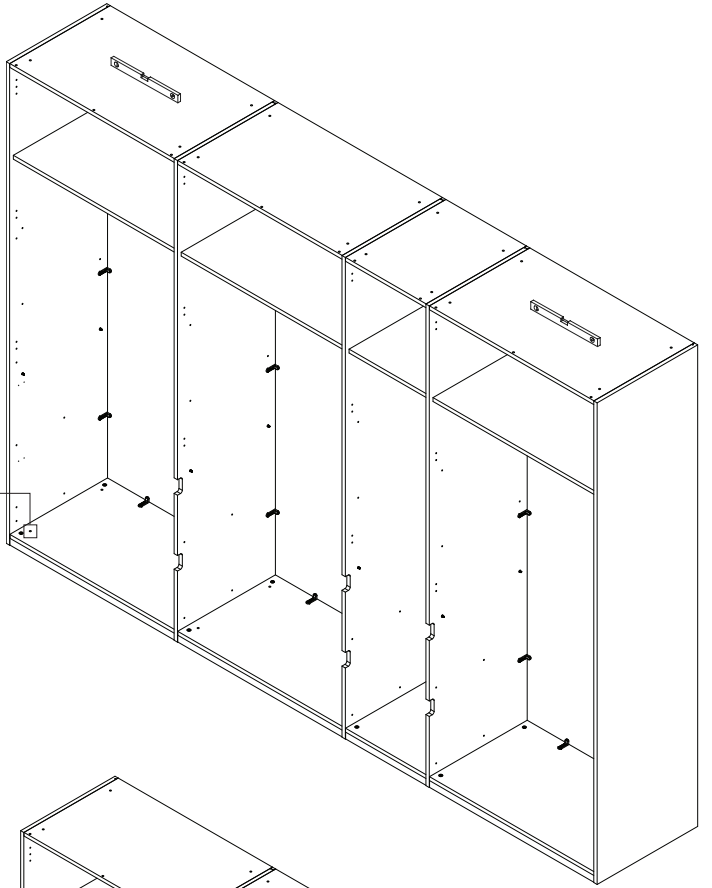
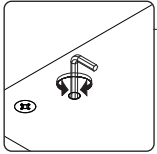
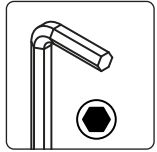
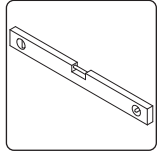
14



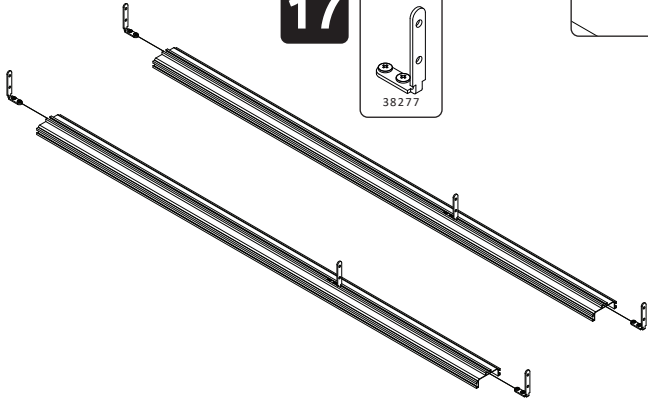
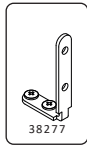
15



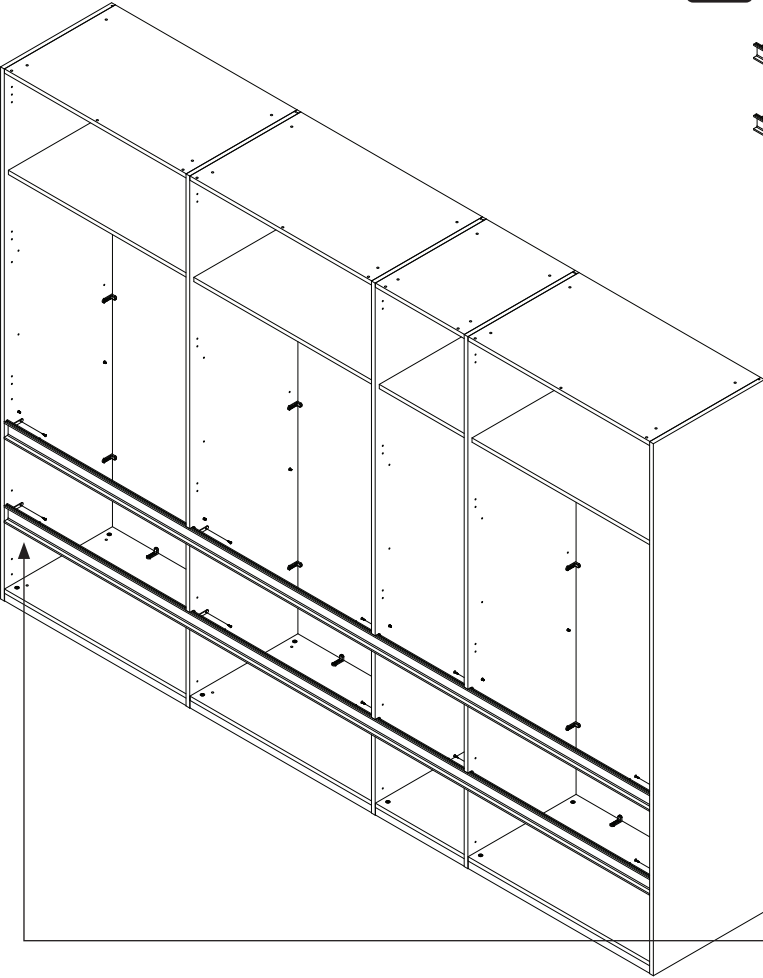
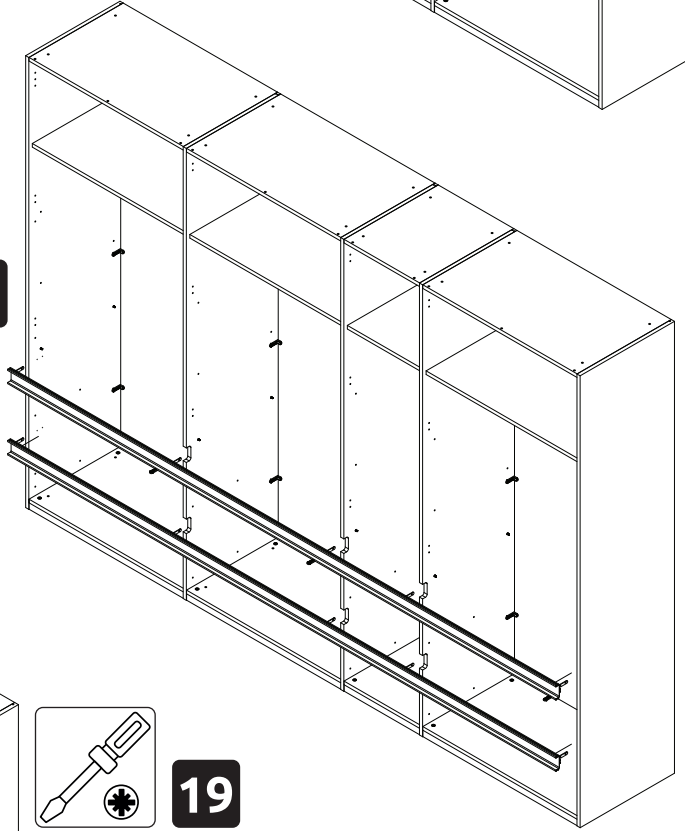
16



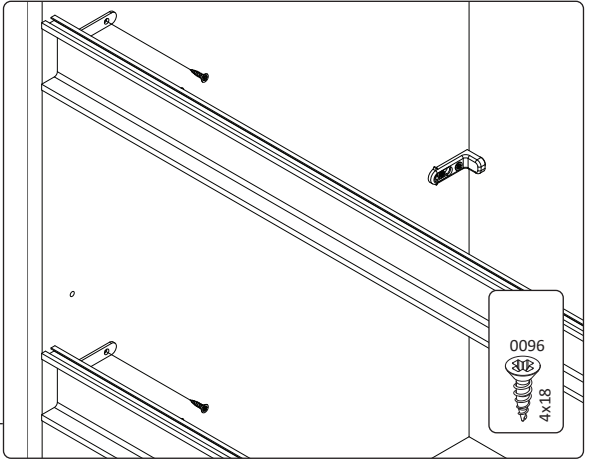
17



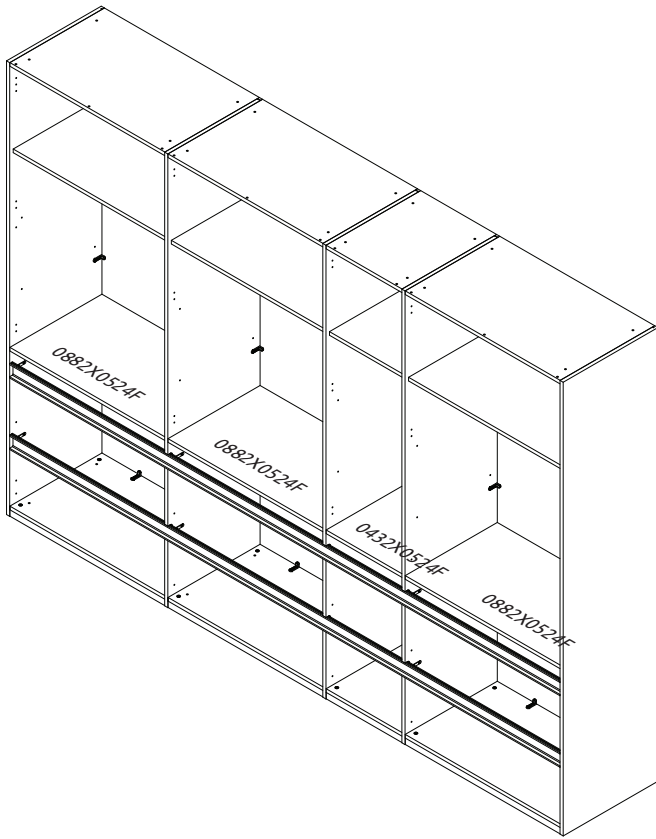
18



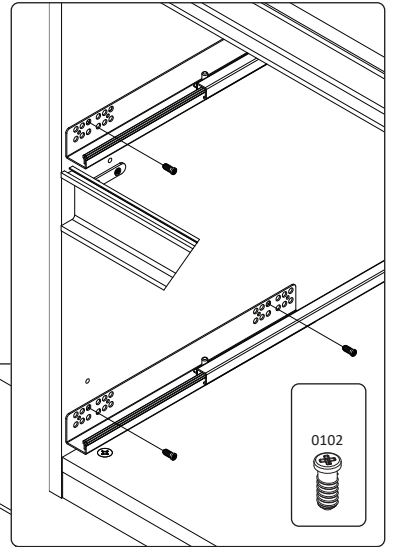
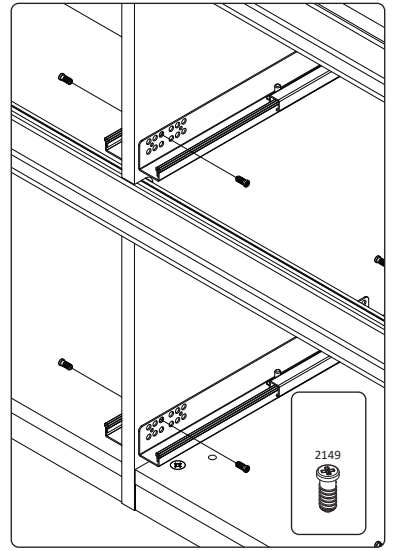
19



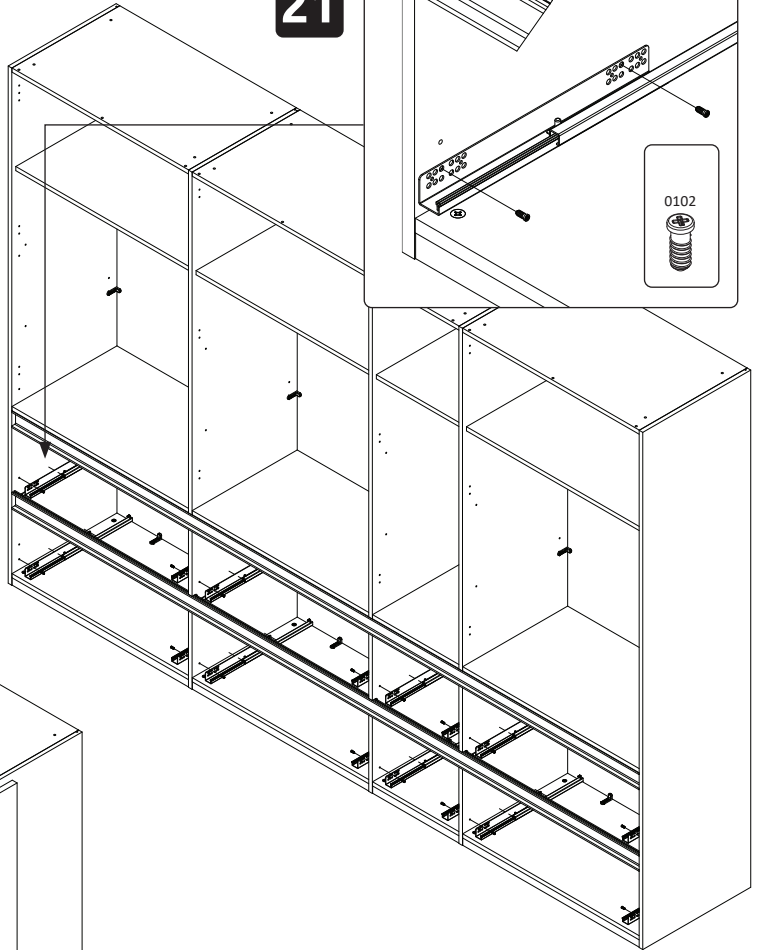
0096
4x18



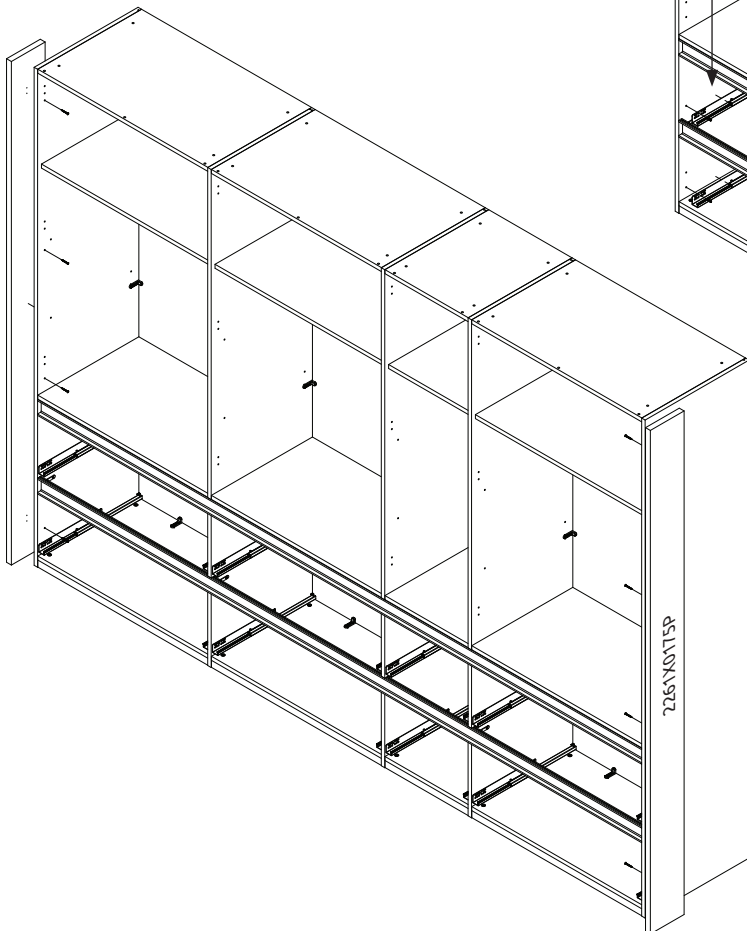
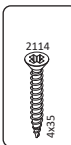
20



21

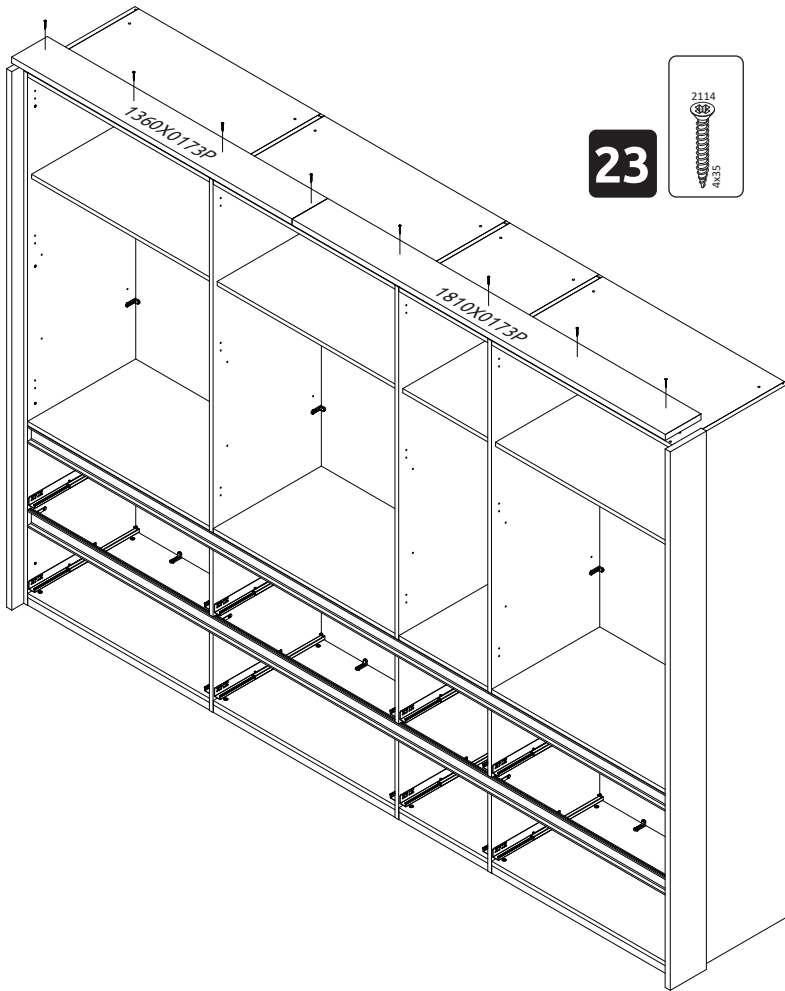


22

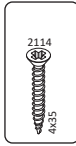


226AK015P

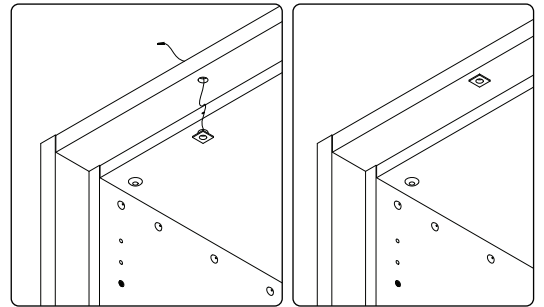
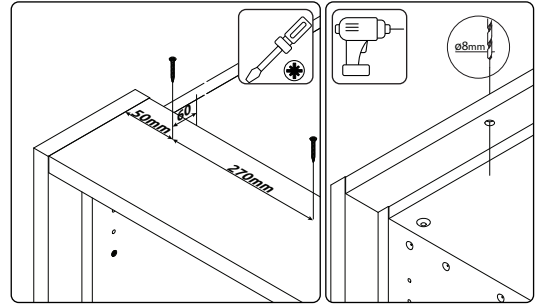
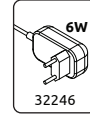
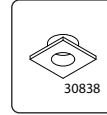
226AK015P



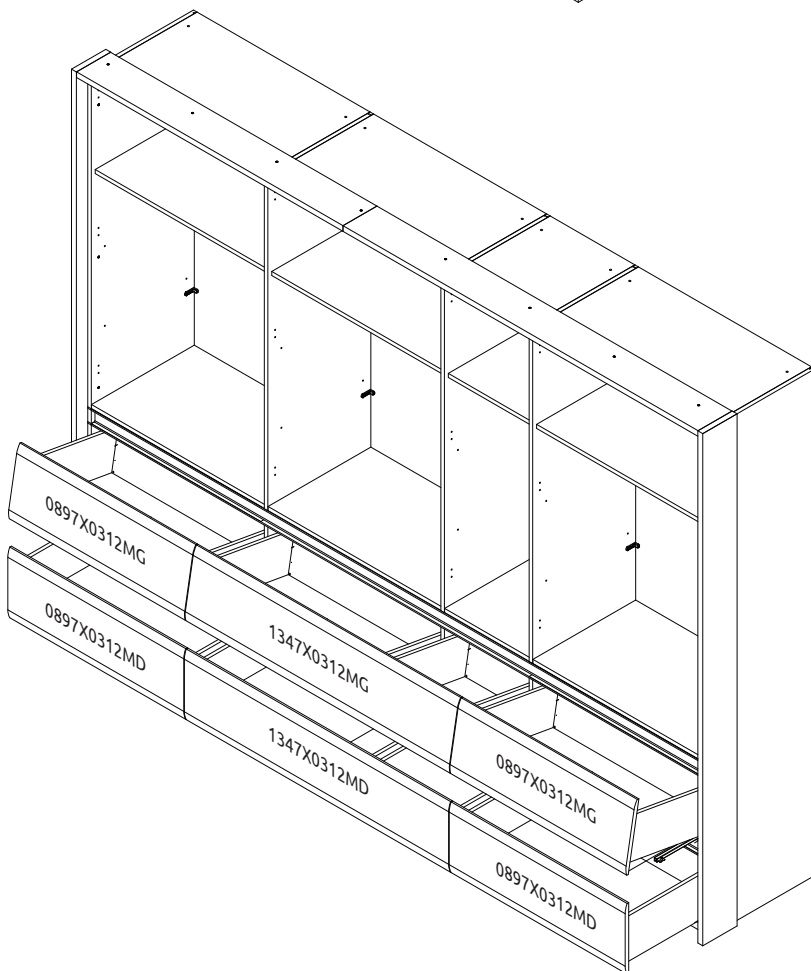
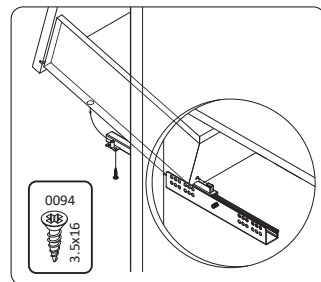
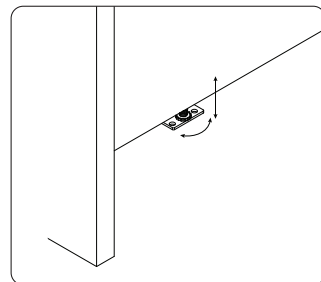
23



24



25



0897X0312MG

0897X0312MD

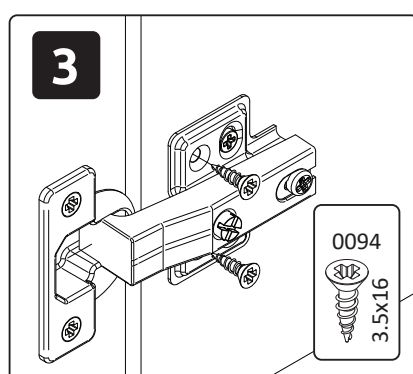
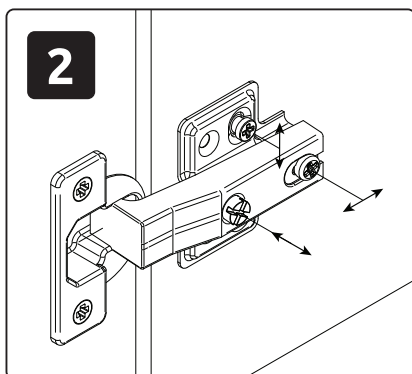
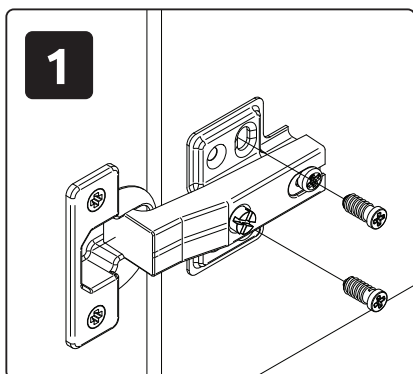
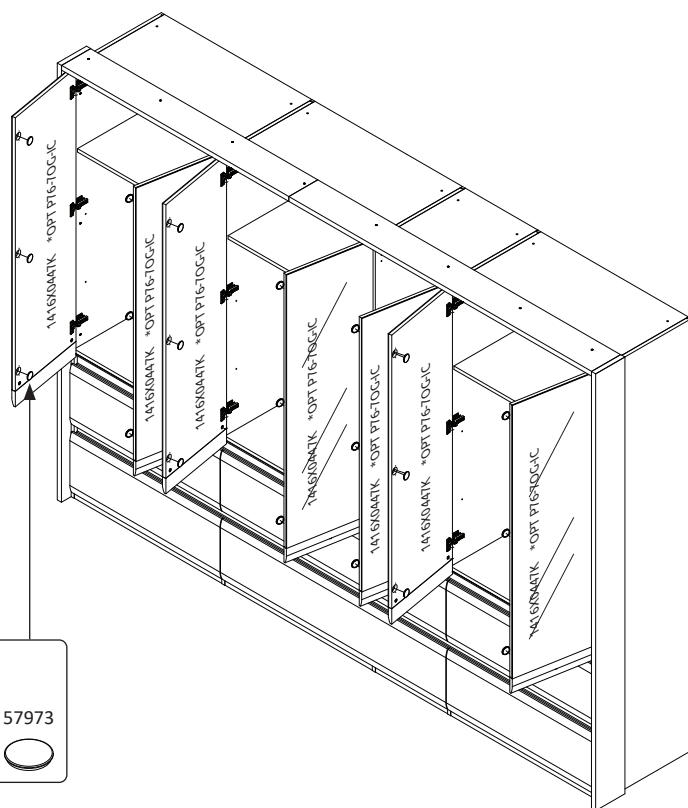
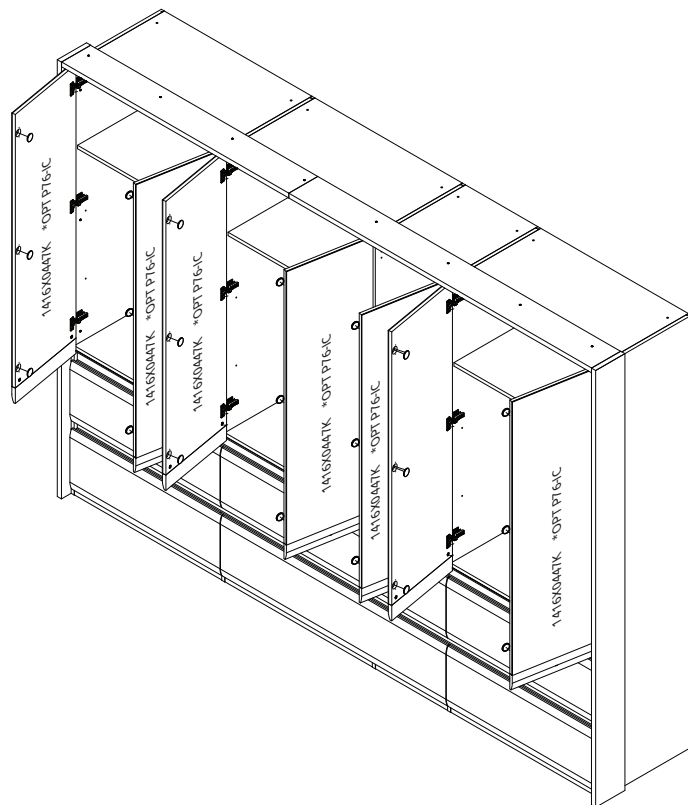
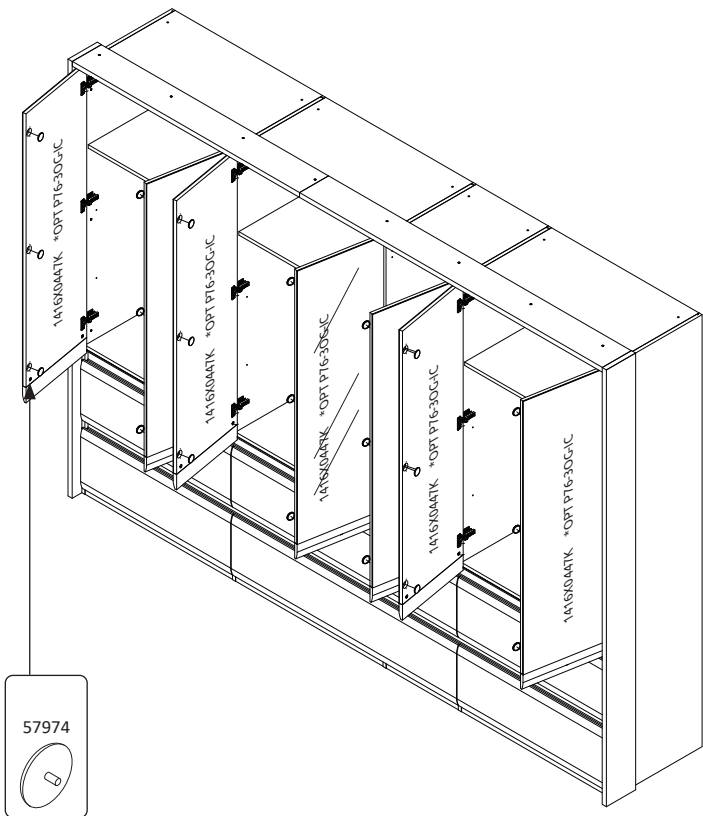
1347X0312MG

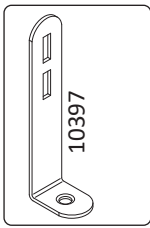
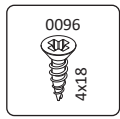
1347X0312MD

0897X0312MG

0897X0312MD







27

