



Carcase/Front/Applications	Interior colour	Colour code
white matt/graphite matt app., Basalt colour glass	Structure grey	Z2400



white matt



Matt graphite



Basalt colour glass

Matching rauch ORANGE + accessories 4.0 can be found after the wardrobes.  
Details of our made-to-measure service can be found after the wardrobes.

Supplier: Möbelwerke Mastershausen GmbH

# Quality features

rauch ORANGE +



Interior colour  
Colour  
Structure grey



22 mm shelves



Drawers with base rail, cushioned self-closing



EASY SLIDE

Optional dampers for hinged and gliding doors



Robust connecting hardware



Angled brackets for firm hold



Sturdy clothes rails



Inconspicuous pattern of 3 mm drill holes

**MADE IN GERMANY**  
**MÖBEL • FURNITURE**  
Hersteller-Nr. / manufacturer-no. H20090125  
Programm / program / Modell / model rauch ORANGE

Zertifiziert durch die DGM  
Verband der Deutschen Möbelindustrie e.V.

The new guarantee of origin when buying furniture.



See rauch ORANGE + ACCESSORIES 4.0 for robe accessories.

- Timeless look
- Attractive front designs
- Durable product quality
- Excellent furniture fittings
- Special sizes

# Signed and sealed quality

## Quality in detail

### Wardrobe

Carcase and passepartouts: Easy-care colour surface inside and out  
Front: colour/colour glass  
Lighting: LED lighting (with transformer and foot switch)

### Bed

Headboard: Colour surface, colour glass  
Bed frame: Colour surface  
Mattress height: 4-way adjustable  
Lighting: LED lighting

### Bedside tables and matching pieces

Carcase: Easy-care colour surface inside and out  
Front: Colour surface  
Drawers: on silent ball-bearing runners, open partially, with cushioned self-closing mechanism

### Made-to-measure range:

We can provide made-to-measure solutions on request.

Customised and unique solutions are possible for virtually any room situation.

## Material information



### Colour

Furniture with colour finish has an evenly attractive, hard-wearing surface. The surfaces are coated with very high-quality, easy-care furniture decor foil.



### Load-bearing capacity

The load limits for all furniture and extras can be found in the load table at:  
<https://qrco.de/rauch-belastungstabelle>



### WOODMAX chipboard

This healthy green-wood chipboard was designed specifically for use in living areas. Our Woodmax chipboard is made only from pollutant-free small-diameter logs and windfall timber from sustainably managed forestry operations in regional woods.

### Our natural raw material

Rauch has won various awards for the material used in its boards. Strict tests by impartial institutes consistently confirm that our materials and processes are not harmful to health.

## Wardrobe carcase features

### Optimum wardrobe dimensions

Take advantage of the maximum possible storage space, achieved thanks to:

Wardrobe widths: 200 - 280 cm  
Height: 223 cm  
Usable depth: 57 cm

### Functional and timeless interior design

Enhanced style and elegance in both presentation and inner values:

Interior colours: match the respective carcase colour  
Elegant plinth height: 32 mm visible  
Sturdy shelves: 22 mm thick, with double bevels and bolted angle brackets  
Inconspicuous pattern of drill holes: 3 mm diameter  
Metal runners: with optional cushioning on the doors

### Dust protection

Dust brushes on the doors prevent dust penetration.

See **rauch ORANGE + ACCESSORIES 4.0** for robe accessories.

## Award-winning and certified



### 10 years rauch manufacturer's warranty.

Warranty terms and conditions on [rauchmoebel.com/garantie](http://rauchmoebel.com/garantie) and in information enclosed with the product.



### Made in Germany

High-quality materials, state-of-the-art technology and perfect workmanship – for more than 120 years the name Rauch has been synonymous with reliable and durable quality furniture, made in Germany.



The certificate of origin labels furniture from Germany that meets strictly defined criteria. Construction, assembly, quality checks and the relevant manufacturing process takes place in Germany.



### Sustainability

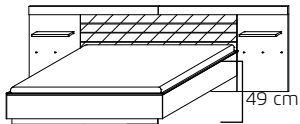
Rauch was awarded the title of "Germany's most sustainable medium-sized company 2014" because we are consistent in pursuing our objective of offering ecologically and socially sustainable furniture at affordable prices..

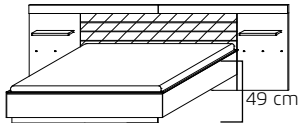


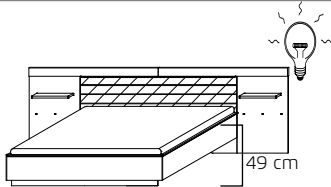
### The „Golden M“

The Golden M is a sign that furniture has been tested for quality, safety and healthy living. So you can rest assured that you are buying quality furniture with good, reliable properties

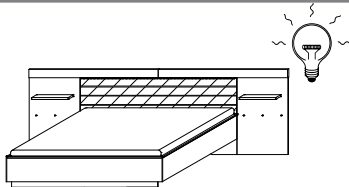
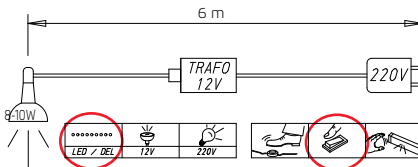
Carcase/Front/Applications	Colour code	PG	Interior colour	Accessories
white matt/App. Matt graphite, Basalt colour glass	Z2400	1	Structure grey	Z3017

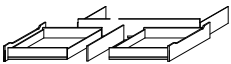
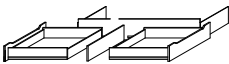
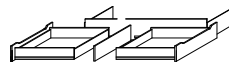
BEDS				
Comfort beds with applications and adjustable fittings for mattress height. Headboard with basalt colour glass. Side height: 49 cm.				
without lighting	 <p>Inlet depths slatted frame: Upper edge of bed side to lowest support height - max. 17,6 cm (adjustable in 2,5 cm steps upwards)</p>			
W 160 cm				
W 180 cm				
bed	bed	bed	bed	
160x190 ↔288 cm †102 cm ↗197 cm BG 31	160x210 ↔288 cm †102 cm ↗217 cm BG 33	180x190 ↔308 cm †102 cm ↗197 cm BG 36	180x210 ↔308 cm †102 cm ↗217 cm BG 38	
160x200 ↔288 cm †102 cm ↗207 cm BG 32	160x220 ↔288 cm †102 cm ↗227 cm BG 34	180x200 ↔308 cm †102 cm ↗207 cm BG 37	180x220 ↔308 cm †102 cm ↗227 cm BG 39	
Article	PG	Price	<b>5800</b>	<b>5800</b>

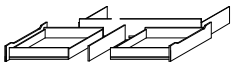
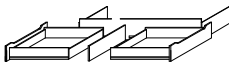
BEDS				
Comfort beds with applications and adjustable fittings for mattress height. Headboard with basalt colour glass. Side height: 49 cm.				
without lighting	 <p>Inlet depths slatted frame: Upper edge of bed side to lowest support height - max. 17,6 cm (adjustable in 2,5 cm steps upwards)</p>			
W 200 cm				
bed	bed			
200x190 ↔328 cm †102 cm ↗197 cm BG 41	200x210 ↔328 cm †102 cm ↗217 cm BG 43			
200x200 ↔328 cm †102 cm ↗207 cm BG 42	200x220 ↔328 cm †102 cm ↗227 cm BG 44			
Article	PG	Price	<b>5800</b>	<b>5800</b>

BEDS				
Comfort beds with applications and headboard lighting. With adjustable fittings for mattress height. Headboard with basalt colour glass. Side height: 49 cm.				
with lighting	 <p>Inlet depths slatted frame: Upper edge of bed side to lowest support height - max. 17,6 cm (adjustable in 2,5 cm steps upwards)</p>			
W 160 cm				
W 180 cm				
bed	bed	bed	bed	
160x190 ↔288 cm †102 cm ↗197 cm BG 31	160x210 ↔288 cm †102 cm ↗217 cm BG 33	180x190 ↔308 cm †102 cm ↗197 cm BG 36	180x210 ↔308 cm †102 cm ↗217 cm BG 38	
160x200 ↔288 cm †102 cm ↗207 cm BG 32	160x220 ↔288 cm †102 cm ↗227 cm BG 34	180x200 ↔308 cm †102 cm ↗207 cm BG 37	180x220 ↔308 cm †102 cm ↗227 cm BG 39	
Article	PG	Price	<b>5801</b>	<b>5801</b>

Carcase/Front/Applications	Colour code	PG	Interior colour	Accessories
white matt/App. Matt graphite, Basalt colour glass	Z2400	1	Structure grey	Z3017

BEDS		Comfort beds with applications and headboard lighting. With adjustable fittings for mattress height. Headboard with basalt colour glass. Side height: 49 cm.			
with lighting  W 200 cm	 <p><b>Inlet depths slatted frame:</b> Upper edge of bed side to lowest support height - max. 17,6 cm (adjustable in 2,5 cm steps upwards)</p>				<p>This product contains a light source of the energy efficiency class E. EPREL 766774</p>
	bed	bed			
	200x190 ↔328 cm †102 cm ↗197 cm BG 41	200x210 ↔328 cm †102 cm ↗217 cm BG 43			
	200x200 ↔328 cm †102 cm ↗207 cm BG 42	200x220 ↔328 cm †102 cm ↗227 cm BG 44			
Article	PG	Price	<b>5801</b>	<b>5801</b>	

BEDS		Plinth drawers in application colour, Set of 2 on castors, incl. plinth panels				
W 160 cm W 180 cm						
	plinth drawer	plinth drawer	plinth drawer	plinth drawer		
	160x190 BG 31	160x210 BG 33	180x190 BG 36	180x210 BG 38		
	160x200 BG 32	160x220 BG 34	180x200 BG 37	180x220 BG 39		
Article	PG	Price	<b>0370</b>	<b>0370</b>	<b>0370</b>	

BEDS		Plinth drawers in application colour, Set of 2 on castors, incl. plinth panels				
W 200 cm						
	plinth drawer	plinth drawer				
	200x190 BG 41	200x210 BG 43				
	200x200 BG 42	200x220 BG 44				
Article	PG	Price	<b>0370</b>	<b>0370</b>		


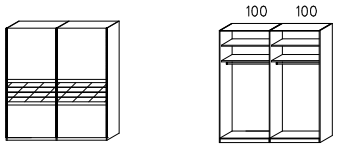
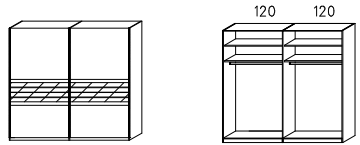
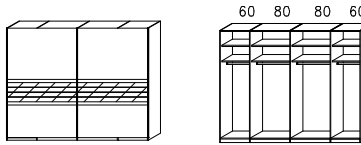

Carcase/Front/Applications	Colour code	PG	Interior colour	Accessories
white matt/App. Matt graphite, Basalt colour glass	Z2400	1	Structure grey	Z3017

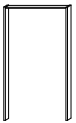


BEDS		Extras for beds		
		Please order using colour code <b>Z3017</b>	Please order using colour code <b>Z3017</b> Not in connection with plinth drawers!	<p>Indirect bedside lighting 2009 2 m</p> <p>This product contains a light source of the energy efficiency class G.</p>
		bed drawer damper	set of 2 LED lights	
		set of 2	indirect bedside lighting with motion sensor	
		↔2 cm ↓1 cm ↗15 cm	↔2 cm ↓3 cm ↗28 cm	
Article	PG	Price	<b>2200</b>	<b>2009</b>

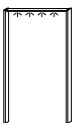


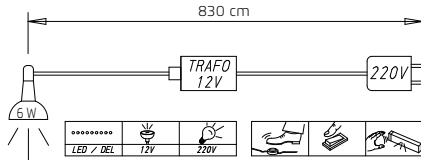
MATCHING PIECES		Top in contrast colour				
		bedside tables, pair for hanging	chest	chest	chest	
		1 drawer	4 drawers	4 drawers	1-door, hinged left, 4 drawers	
		↔61 cm ↓23 cm ↗41 cm	↔61 cm ↓84 cm ↗41 cm	↔121 cm ↓84 cm ↗41 cm	↔121 cm ↓84 cm ↗41 cm	
Article	PG	Price	<b>N800</b>	<b>B800</b>	<b>B801</b>	<b>B803</b>

MATCHING PIECES		Top in contrast colour				
		chest	chest	wall mirror		
		2-door	2-door, 4 drawers			
		↔121 cm ↓84 cm ↗41 cm	↔182 cm ↓84 cm ↗41 cm	↔120 cm ↓55 cm ↗2 cm		
Article	PG	Price	<b>B804</b>	<b>B807</b>	<b>0838</b>	

Carcase/Front/Applications	Colour code	PG	Interior colour	Accessories
white matt/App. Matt graphite, Basalt colour glass	Z2400	1	Structure grey	Z3017

WARDROBES				
Basalt colour glass inlay panel framed in application colour. Handle strips in application colour.				
See rauch ORANGE + ACCESSORIES 4.0 for robe accessories.  				Please order using colour code Z3017  
	sliding door wardrobe	sliding door wardrobe	sliding door wardrobe	set of 2 dampers for sliding wardrobes EASY SLIDE
	2-door, Inlay panel in colour glass	2-door, Inlay panel in colour glass	2-door, Inlay panel in colour glass	of 2-4 door sliding door wardrobes
↔200 cm †223 cm ↗68 cm	↔239 cm †223 cm ↗68 cm	↔280 cm †223 cm ↗68 cm	↔5 cm †2 cm ↗27 cm	
Article	PG	Price	<b>20SW</b>	<b>2182</b>
			<b>22SW</b>	
			<b>24SW</b>	

PASSEPARTOUT				
for sliding door robes, in application colour				
without lighting				
	passepartout	passepartout	passepartout	
	for sliding wardrobe 200cm	for sliding wardrobe 240cm	for sliding wardrobe 280cm	
↔212 cm †227 cm ↗71 cm	↔250 cm †227 cm ↗71 cm	↔292 cm †227 cm ↗71 cm		
Article	PG	Price	<b>3100</b>	<b>3105</b>
			<b>3102</b>	

PASSEPARTOUT				
for sliding door robes, in application colour				
with lighting				
	passepartout	passepartout	passepartout	Lighting
	with lighting, for sliding wardrobe 200cm	with lighting, for sliding wardrobe 240cm	with lighting, for sliding wardrobe 280cm	This product contains a light source of the energy efficiency class G.
↔212 cm †227 cm ↗71 cm	↔250 cm †227 cm ↗71 cm	↔292 cm †227 cm ↗71 cm		
Article	PG	Price	<b>3110</b>	<b>3115</b>
			<b>3112</b>	



Carcase/Front/Applications	Colour code	PG	Interior colour	Accessories
white matt/App. Matt graphite, Basalt colour glass	Z2400	1	Structure grey	Z3017

MADE-TO-MEASURE		APN No.	Price	
Sliding door wardrobe	Shorten depth, 20SW and 22SW	302		
	Shorten depth, 24SW	304		
	Shorten height, 20SW and 22SW	680		
	Shorten height, 24SW	682		
	Angled to the rear, 20SW and 22SW (to a max. 35 cm from rear edge)	172		
	Angled to the rear, 24SW (to a max. 35 cm from rear edge)	174		
Passepartout	Back angle (notch for fireplace)	160		
	Shorten height of passepartout	130		
Bed combination	Shorten width of bed with or without lighting in bedside table panel (by max. 16 cm per side), without bedside tables!	267		
	Shorten height of headboard by 10 cm (fixed measurement), only for beds without lighting (involves removal of top horizontal profile)	238		
Bedside cupboard/Panels	Bedside table set width shortening (max. 16 cm per bedside table)	2x 242	each	
Cupboards	Narrow cupboards width shortening (max. by 15 cm)	246		
	Wide cupboards width shortening (max. by 30 cm)	246		
	2-door cupboard width shortening (on both sides max. by 30 cm, or shortened to 1 door)	248		
	Cupboard/drawer unit width shortening in drawer area (max. 15 cm)	246		
	Cupboard/drawer unit width shortening in cupboard area (max. 15 cm)	248		
	Combi cupboard width shortening, (on both sides, by max. 30 cm)	248		
Other	Shorten the height of all cupboards (cupboards with drawers: by whole drawers only)	250		
	Fascia material, colour finished on both sides, 16 mm thick, max. 235.2 x 58.6 cm (min. 10 cm cutting width) per sqm	260		

More made-to-measure options are available on request! Technical department telephone number: **Silke Steffen** 06545 81-821