



| Front/Carcase   | Colour code |
|---|-------------|
| Alpine white, Woven fabric Ocean grey, Solid oak handles and feet | AC375       |



Alpine white



Woven fabric  
Ocean grey



Solid oak handles  
and feet

■ See rauch ORANGE ACCESSORIES 1.0 for extras for hinged door wardrobes.

Supplier: Rauch Möbelwerke GmbH

# Quality features

rauch ORANGE



Interior colour  
Texline  
colour



EASY  
SLIDE

Metal guide  
rails



Drawers  
on silent  
ball-bearing  
runners



Optional  
dampers for  
hinged and  
sliding doors



For extras, see  
rauch ORANGE  
Accessories  
1.0.

Timeless  
look

Attractive  
front designs

Durable  
product  
quality

Excellent  
furniture fit-  
tings

comprehen-  
sive acces-  
sories

## Quality and material



10  
years  
warranty

**10 years rauch manufacturer's warranty.**  
Warranty terms and conditions on  
[rauchmoebel.com/garantie](http://rauchmoebel.com/garantie) and in information  
enclosed with the product.



### WOODMAX chipboard

This healthy green-wood chipboard was designed specifically for use in living areas. Our Woodmax chipboard is made only from pollutant-free small-diameter logs and windfall timber from sustainably managed forestry operations in regional woods.

### Our natural raw material

Rauch has won various awards for the material used in its boards. Strict tests by impartial institutes consistently confirm that our materials and processes are not harmful to health.



### Colour

Furniture with colour finish has an evenly attractive, hard-wearing surface.




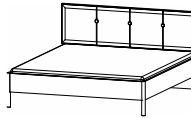
### Load-bearing capacity

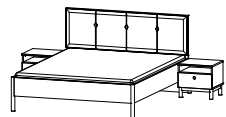
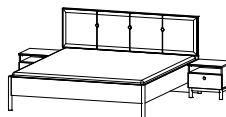
The load limits for all furniture and extras can be found in the load table at:  
<https://qrco.de/rauch-belastungstabelle>

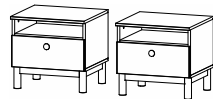

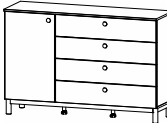
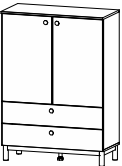
## Award-winning and certified



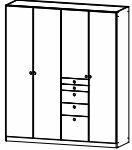

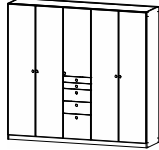

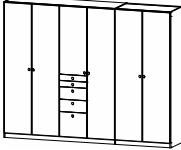
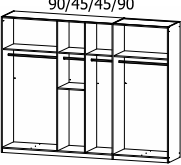
|   |             |
|---|-------------|
| Front/Carcase   | Colour code |
| Alpine white, Woven fabric Ocean grey, Solid oak handles and feet | AC375       |

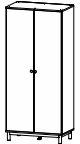

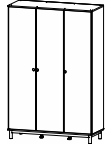
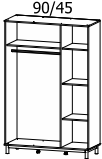
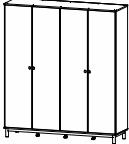

| BEDS    |       | Beds with padded headboard in Ocean grey woven fabric.                            |  |
|---------|-------|---|--|
|         |       |  |   |
|         |       | bed   | bed  |
|         |       | headboard padding   | headboard padding  |
|         |       | 160/200 ↔167 cm †100 cm ↗209 cm <b>BG 60</b>                                      | 180/200 ↔187 cm †100 cm ↗209 cm <b>BG 80</b>   |
| Article | Price | <b>7412</b>   | <b>7413</b>  |
|         |       |   | <ul style="list-style-type: none"> <li>•Bed side height = 44 cm</li> <li>•Slatted frame can be adjusted to 6 different heights</li> <li>•Inlet depths (Upper edge of bed side to support height):               <ul style="list-style-type: none"> <li>- 13,9 cm</li> <li>- 15,5 cm</li> <li>- 17,1 cm</li> <li>- 18,7 cm</li> <li>- 20,3 cm</li> <li>- 21,9 cm</li> </ul> </li> </ul> |

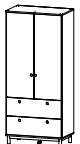

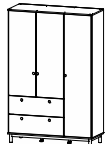
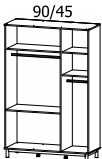


| BEDS    |       | Combination consisting of bed and 2 bedside tables. Beds with padded headboard in Ocean grey woven fabric. |  |
|---------|-------|--|--|
|         |       |                           |    |
|         |       | bed combination  | bed combination  |
|         |       | headboard padding  | headboard padding  |
|         |       | 160/200 ↔258 cm †100 cm ↗209 cm <b>BG 60</b>   | 180/200 ↔278 cm †100 cm ↗209 cm <b>BG 80</b>   |
| Article | Price | <b>07C8</b>  | <b>07C9</b>  |
|         |       |  | <ul style="list-style-type: none"> <li>•Bed side height = 44 cm</li> <li>•Slatted frame can be adjusted to 6 different heights</li> <li>•Inlet depths (Upper edge of bed side to support height):               <ul style="list-style-type: none"> <li>- 13,9 cm</li> <li>- 15,5 cm</li> <li>- 17,1 cm</li> <li>- 18,7 cm</li> <li>- 20,3 cm</li> <li>- 21,9 cm</li> </ul> </li> </ul> |

| MATCHING PIECES |       |   |   |   |   |  |  |
|-----------------|-------|---|---|---|---|--|--|
|                 |       |  |  |  |  |  |  |
|                 |       | bedside tables, pair  | chest   | chest   | chest   |  |  |
|                 |       | 1 drawer, with niche  | 5 drawers   | 1-door, hinged right, 4 drawers   | 2-door, 2 drawers   |  |  |
|                 |       | ↔113 cm †44 cm ↗42 cm   | ↔93 cm †92 cm ↗42 cm  | ↔140 cm †92 cm ↗42 cm   | ↔93 cm †130 cm ↗42 cm   |  |  |
| Article         | Price | <b>68C2</b>   | <b>68C3</b>   | <b>68C5</b>   | <b>68C4</b>   |  |  |

|  |             |
|--|-------------|
| Front/Carcase                            | Colour code |
| Alpine white, Solid oak handles and feet | AC375       |

| WARDROBES  |   | Hinged door wardrobes. Small top drawer with interior division.                   |   |   |   |   |  |                      |                      |                      |
|--|---|---|---|---|---|---|--|----------------------|----------------------|----------------------|
| See rauch ORANGE ACCESSORIES 1.0 for extras for hinged door wardrobes. |  |  |  |  |  |  |  |                      |                      |                      |
|  |   |   |   |   |   |   |  | 90/45/45             | 90/45/90             | 90/45/45/90          |
|  |   |   |   |   |   |   |  | hinged door wardrobe | hinged door wardrobe | hinged door wardrobe |
|  |   |   |   |   |   |   |  | 4-door, 5 drawers    | 5-door, 5 drawers    | 6-door, 5 drawers    |
|  |   |   |   |   |   |   |  |                      |                      |                      |
|  |   | ↔181 cm ‡210 cm ↗54 cm  | ↔226 cm ‡210 cm ↗54 cm  | ↔271 cm ‡210 cm ↗54 cm  |   |   |  |                      |                      |                      |
| Article  | Price   | <b>06U6</b>   | <b>06U7</b>   | <b>06U8</b>   |   |   |  |                      |                      |                      |

| WARDROBES  |   | Hinged door wardrobes   |   |   |   |   |  |                      |                      |                      |
|--|---|---|---|---|---|---|--|----------------------|----------------------|----------------------|
| See rauch ORANGE ACCESSORIES 1.0 for extras for hinged door wardrobes. |  |  |  |  |  |  |  |                      |                      |                      |
|  |   |   |   |   |   |   |  | 90                   | 90/45                | 90/90                |
|  |   |   |   |   |   |   |  | hinged door wardrobe | hinged door wardrobe | hinged door wardrobe |
|  |   |   |   |   |   |   |  | 2-door               | 3-door               | 4-door               |
|  |   | ↔92 cm ‡206 cm ↗53 cm   | ↔136 cm ‡206 cm ↗53 cm  | ↔181 cm ‡206 cm ↗53 cm  |   |   |  |                      |                      |                      |
| Article  | Price   | <b>35G0</b>   | <b>35G1</b>   | <b>35G2</b>   |   |   |  |                      |                      |                      |

| WARDROBES  |   | Hinged door wardrobes   |   |   |   |   |  |                      |                      |                      |
|--|---|---|---|---|---|---|--|----------------------|----------------------|----------------------|
| See rauch ORANGE ACCESSORIES 1.0 for extras for hinged door wardrobes. |  |  |  |  |  |  |  |                      |                      |                      |
|  |   |   |   |   |   |   |  | 90                   | 90/45                | 90/90                |
|  |   |   |   |   |   |   |  | hinged door wardrobe | hinged door wardrobe | hinged door wardrobe |
|  |   |   |   |   |   |   |  | 2-door, 2 drawers    | 3-door, 2 drawers    | 4-door, 2 drawers    |
|  |   | ↔92 cm ‡206 cm ↗53 cm   | ↔136 cm ‡206 cm ↗53 cm  | ↔181 cm ‡206 cm ↗53 cm  |   |   |  |                      |                      |                      |
| Article  | Price   | <b>3540</b>   | <b>07T8</b>   | <b>07T9</b>   |   |   |  |                      |                      |                      |