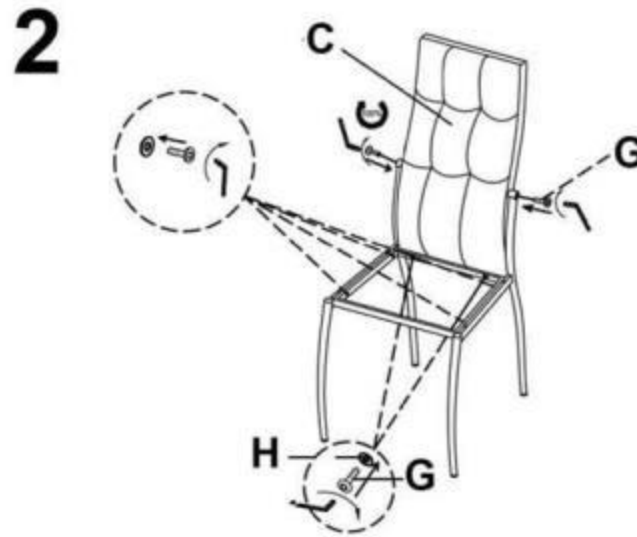
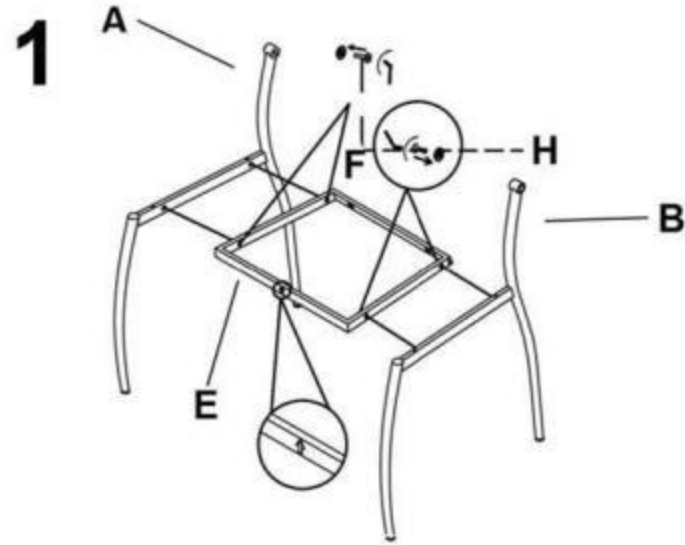
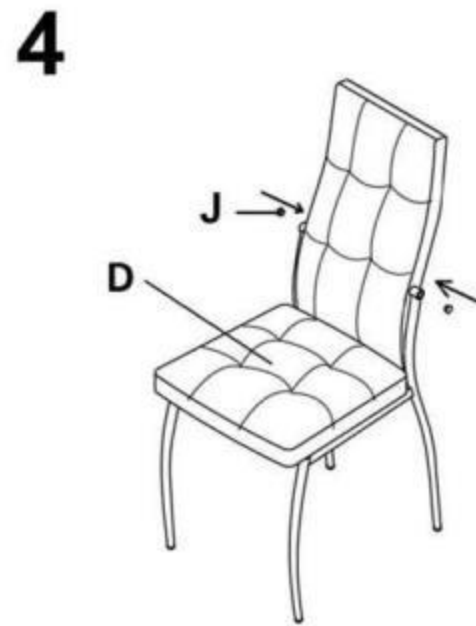
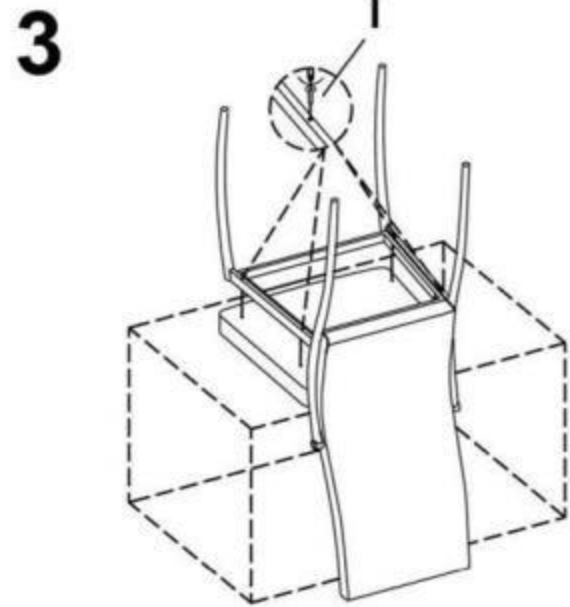


K416



For correct assembly, tighten screws E to 50% rotation, then mount the backrest C with screws G, also tighten up to 50%. The next step is load the weight of the seat frame E. After that, tighten screws F and G to 100%.



A		1
B		1
C		1
D		1
E		1
F	 M6x20 mm	4
G	 M6x25 mm	4
H	 M6x16 mm	6
I		4
J		2

