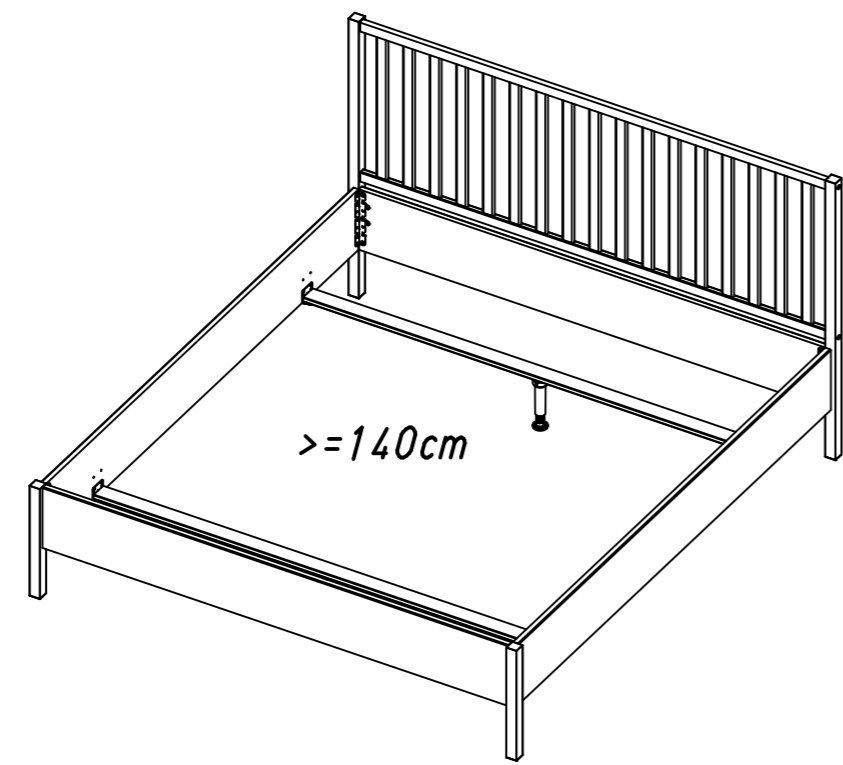
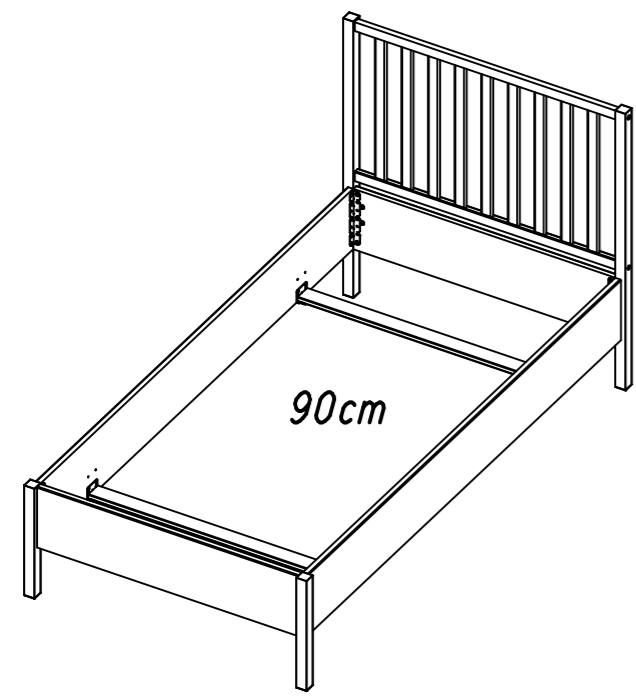
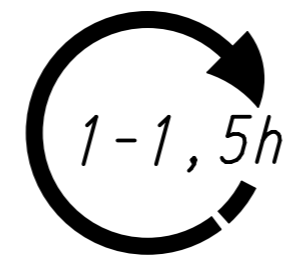
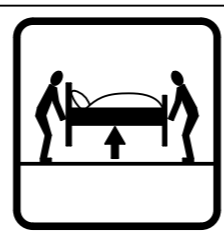
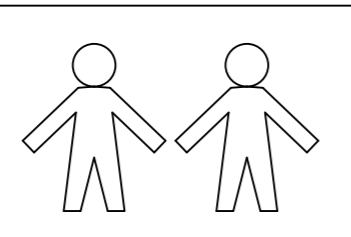
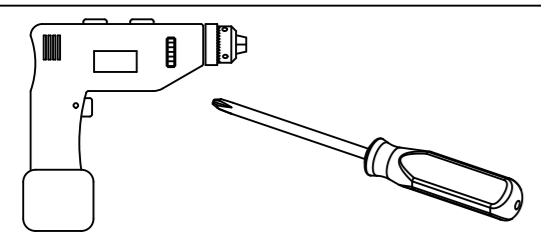


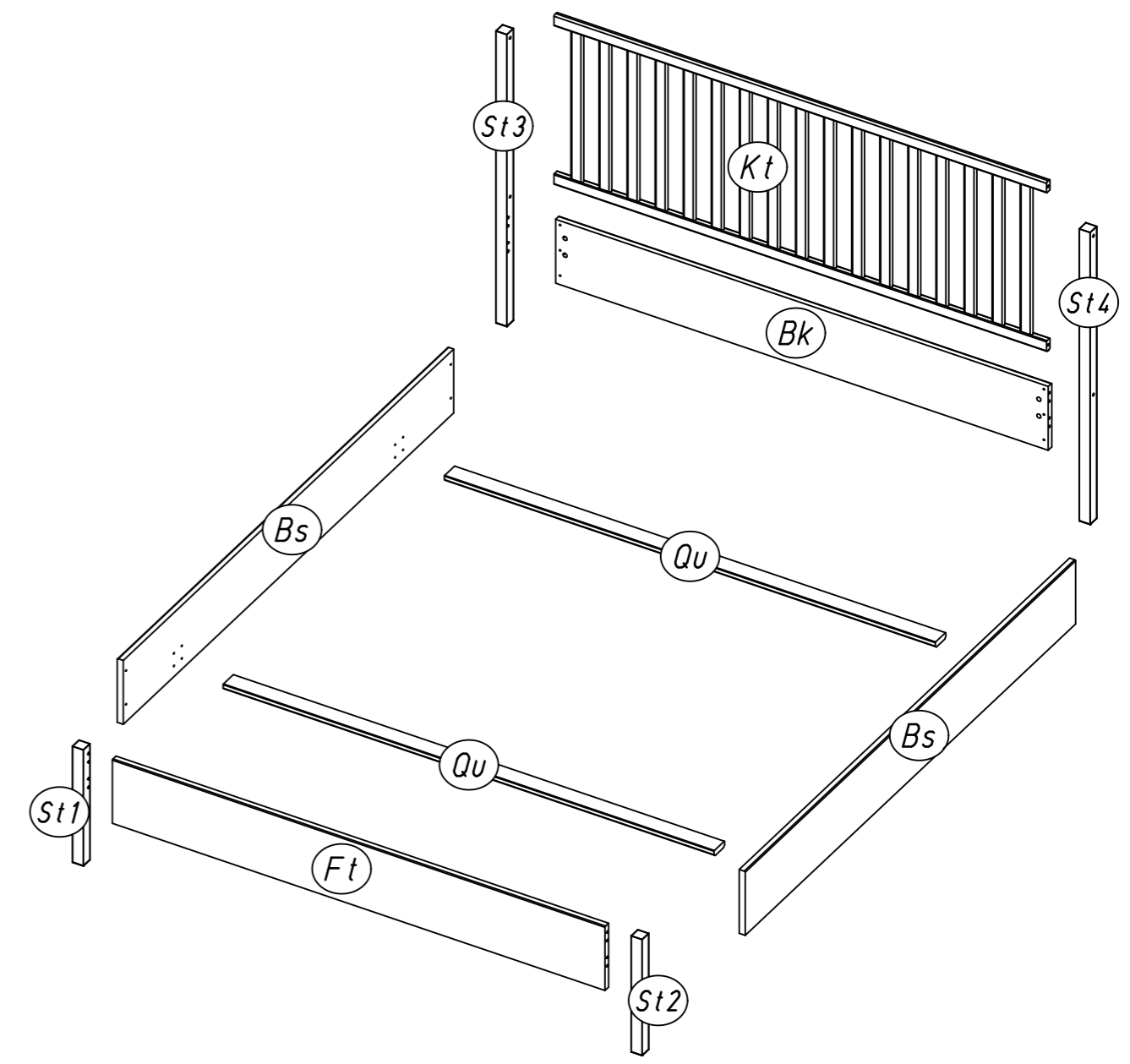
1.

M2380_01

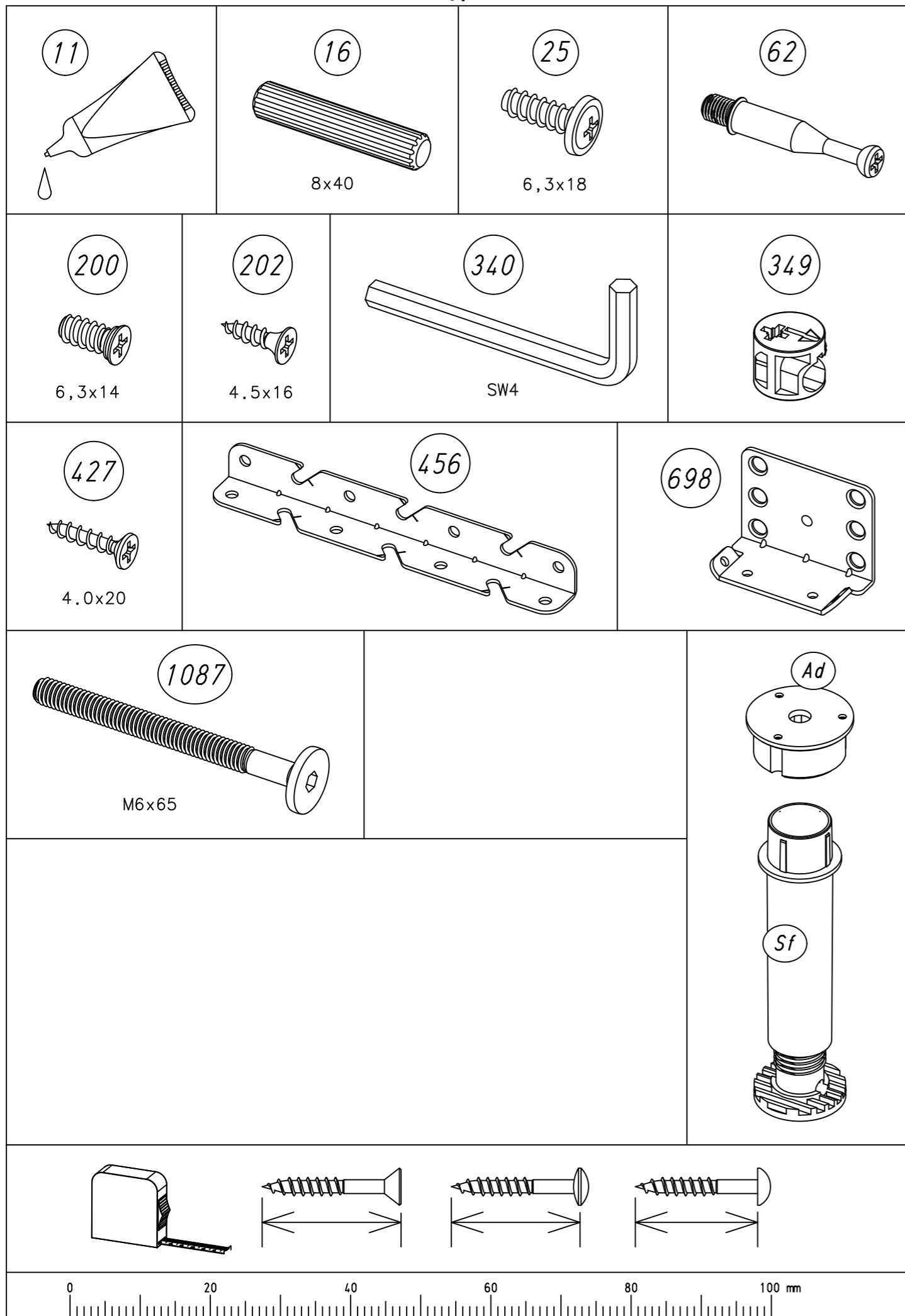
rauch



2.

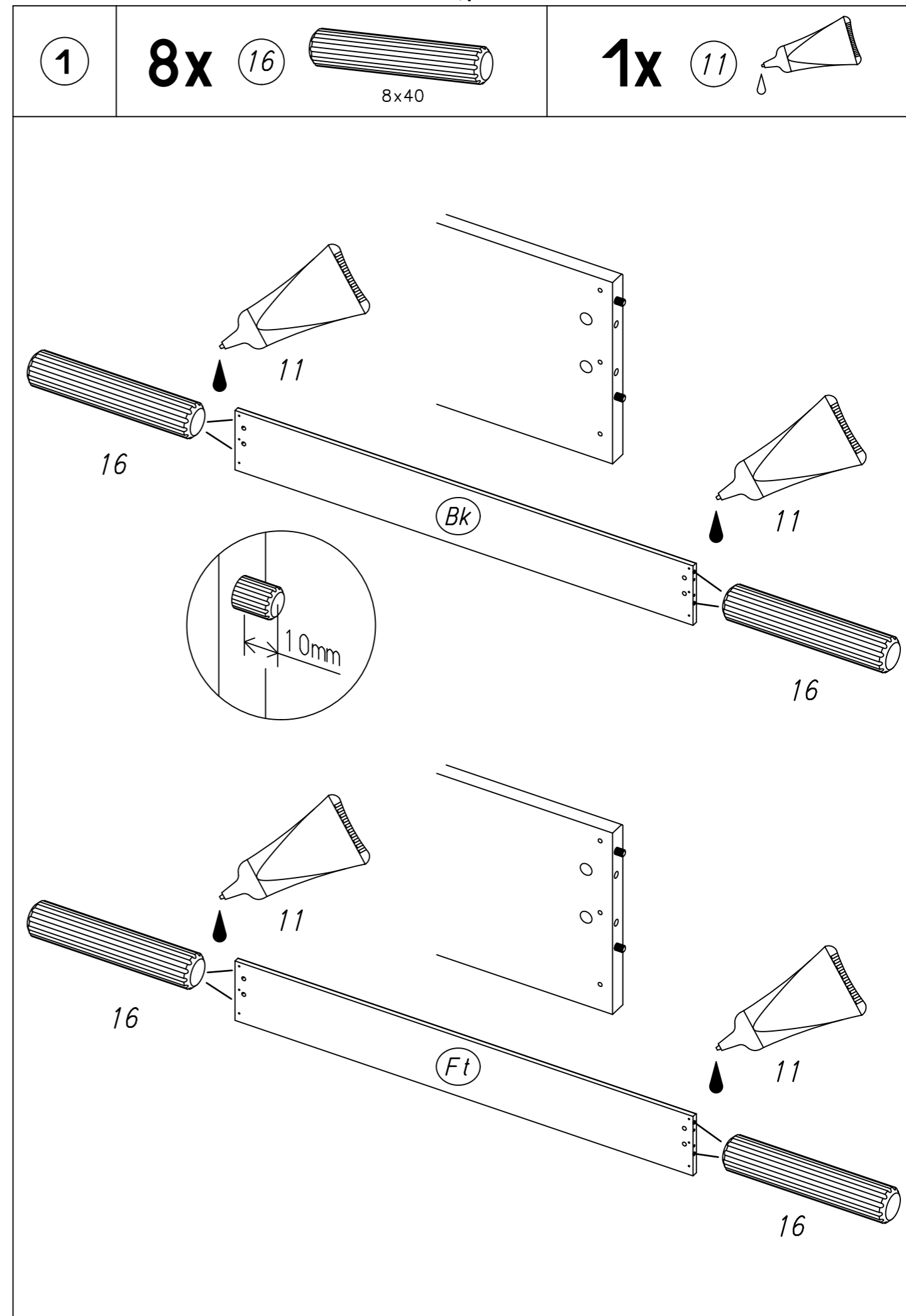


3.



M2380

4.



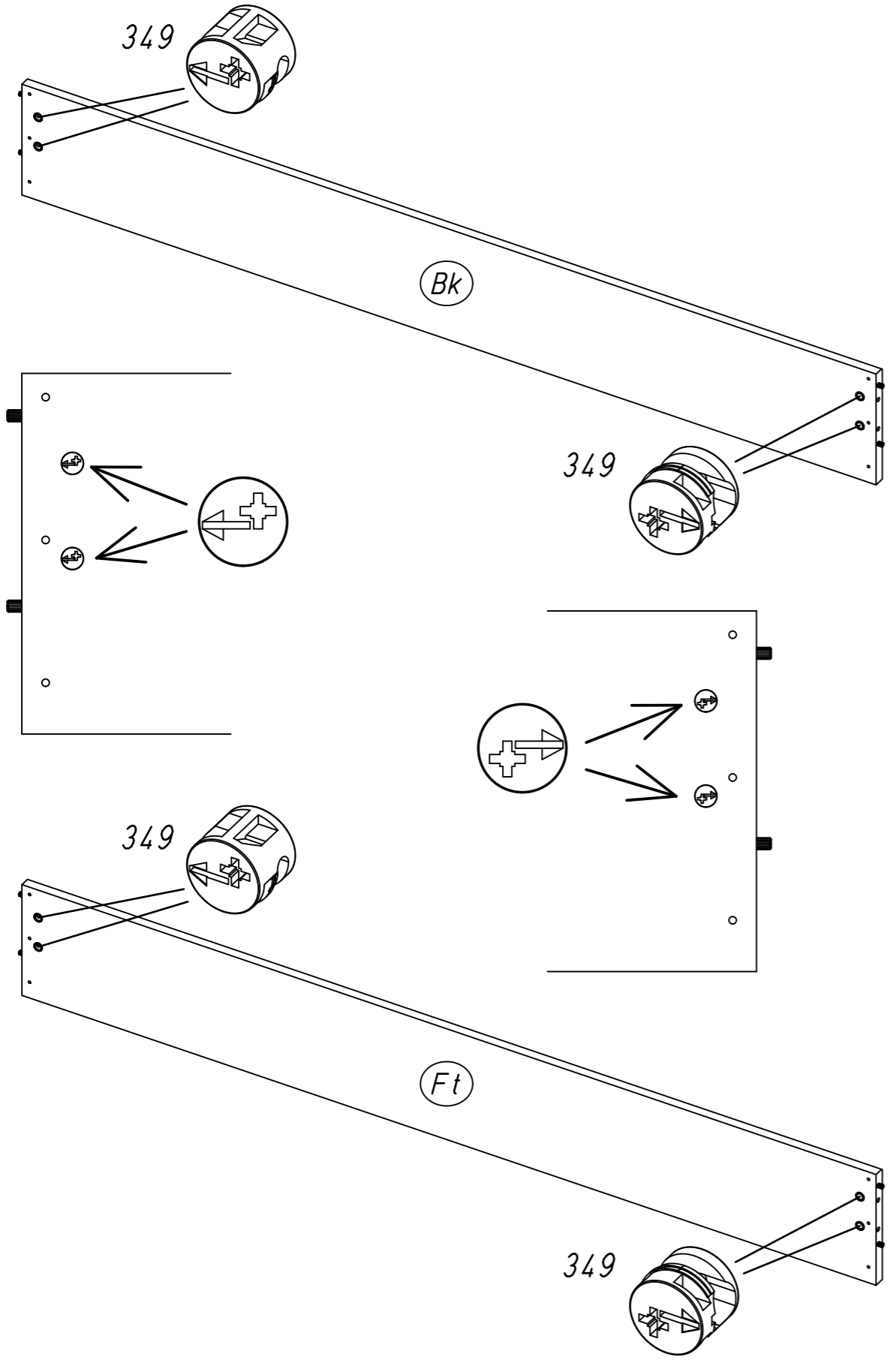
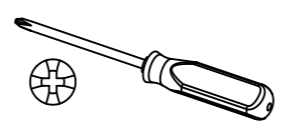
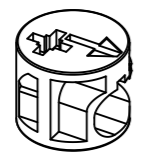
M2380

5.

2

8x

349



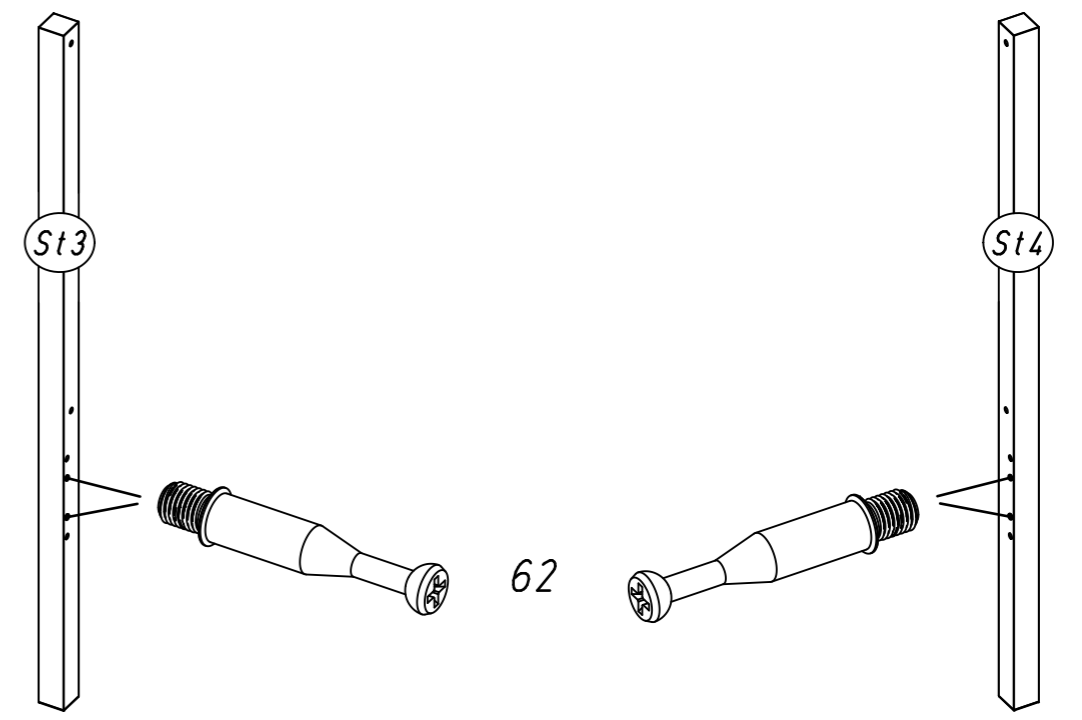
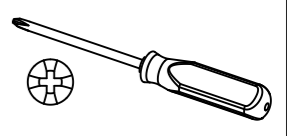
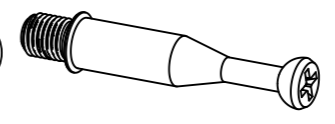
M2380

6.

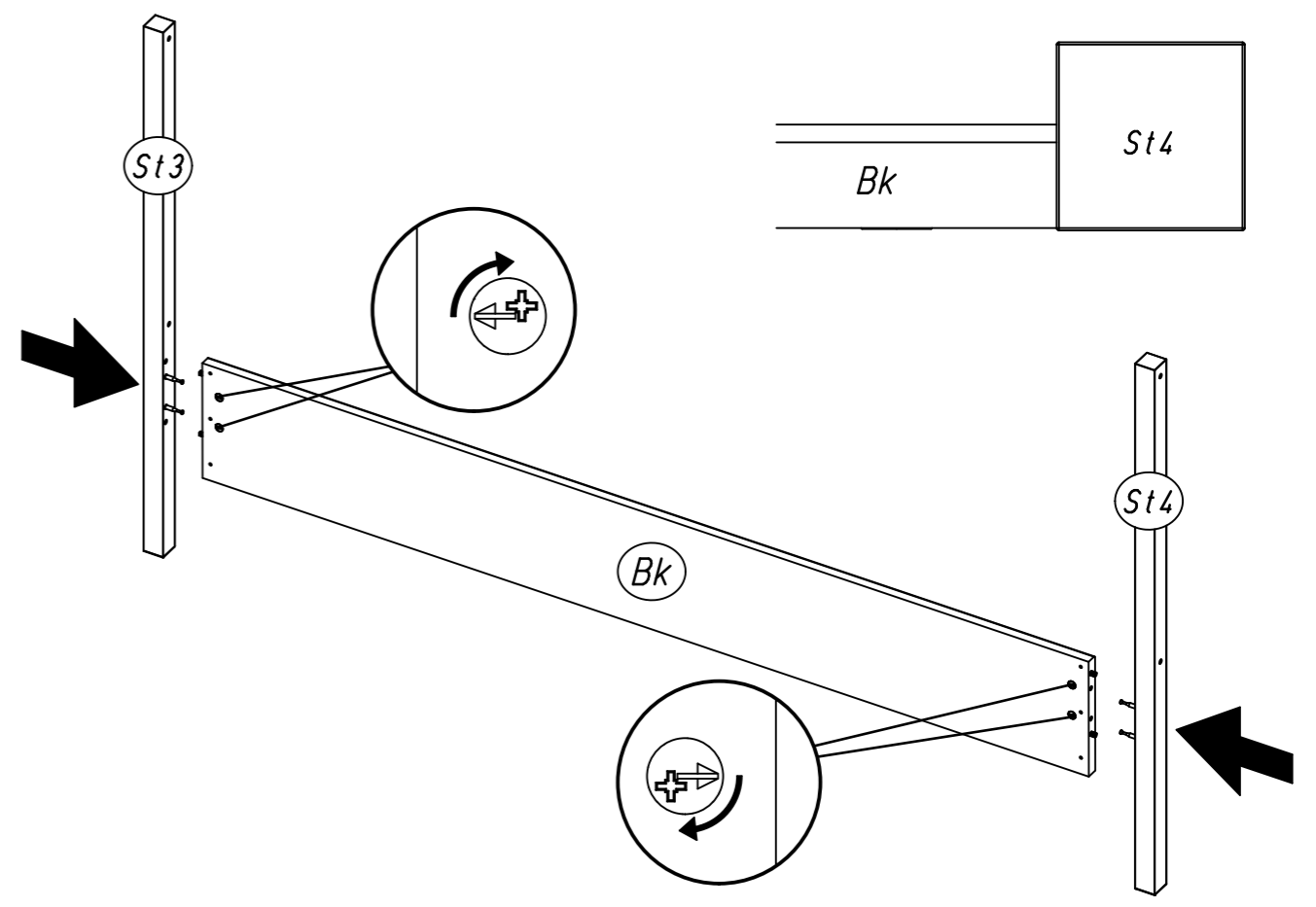
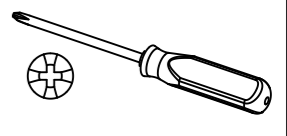
3

4x

62



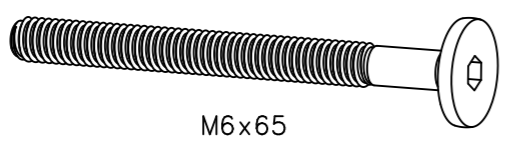
4



M2380

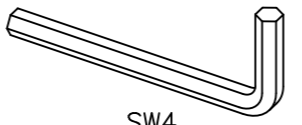
5

4x 1087

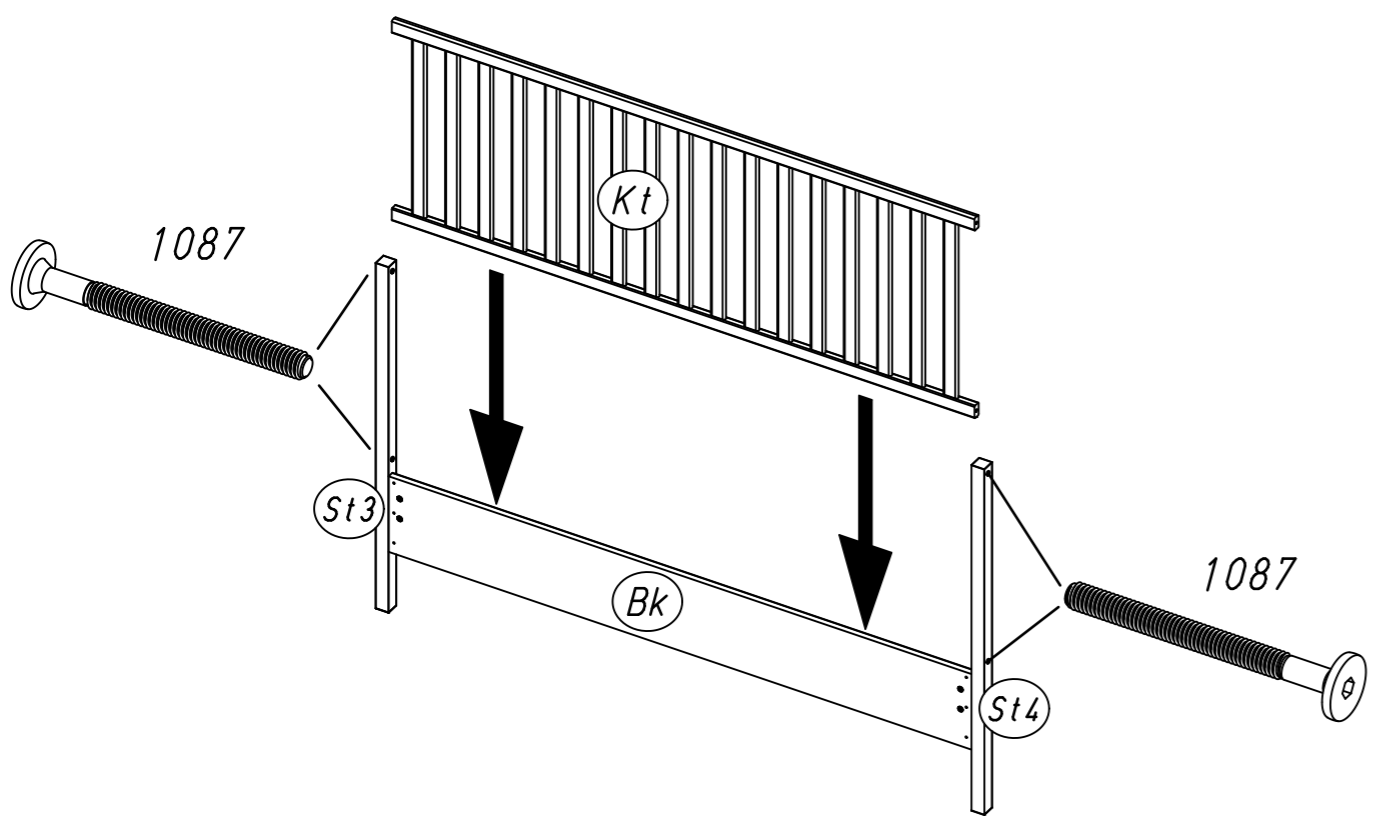


M6x65

340

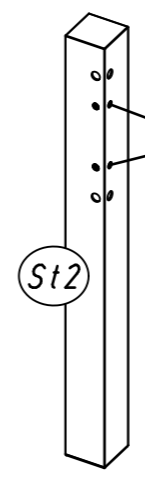
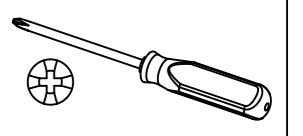
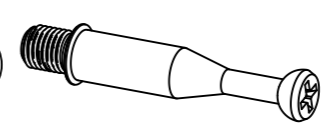


SW4

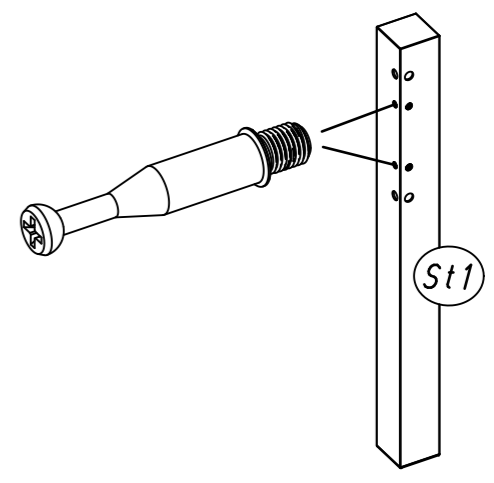


7

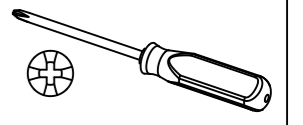
4x 62



62

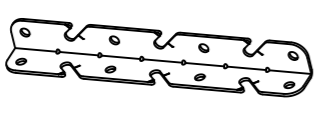


8

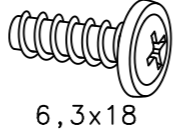


6

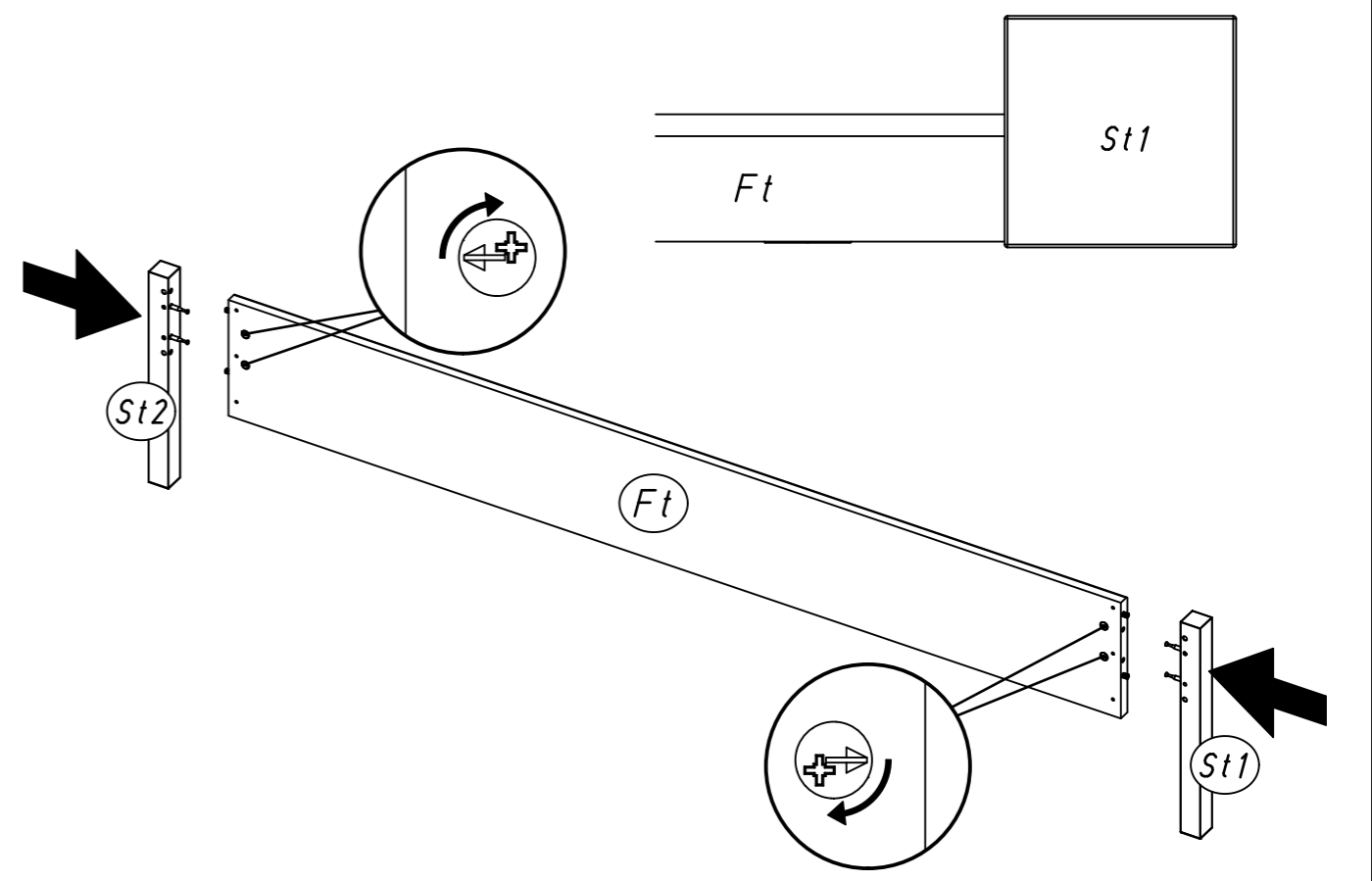
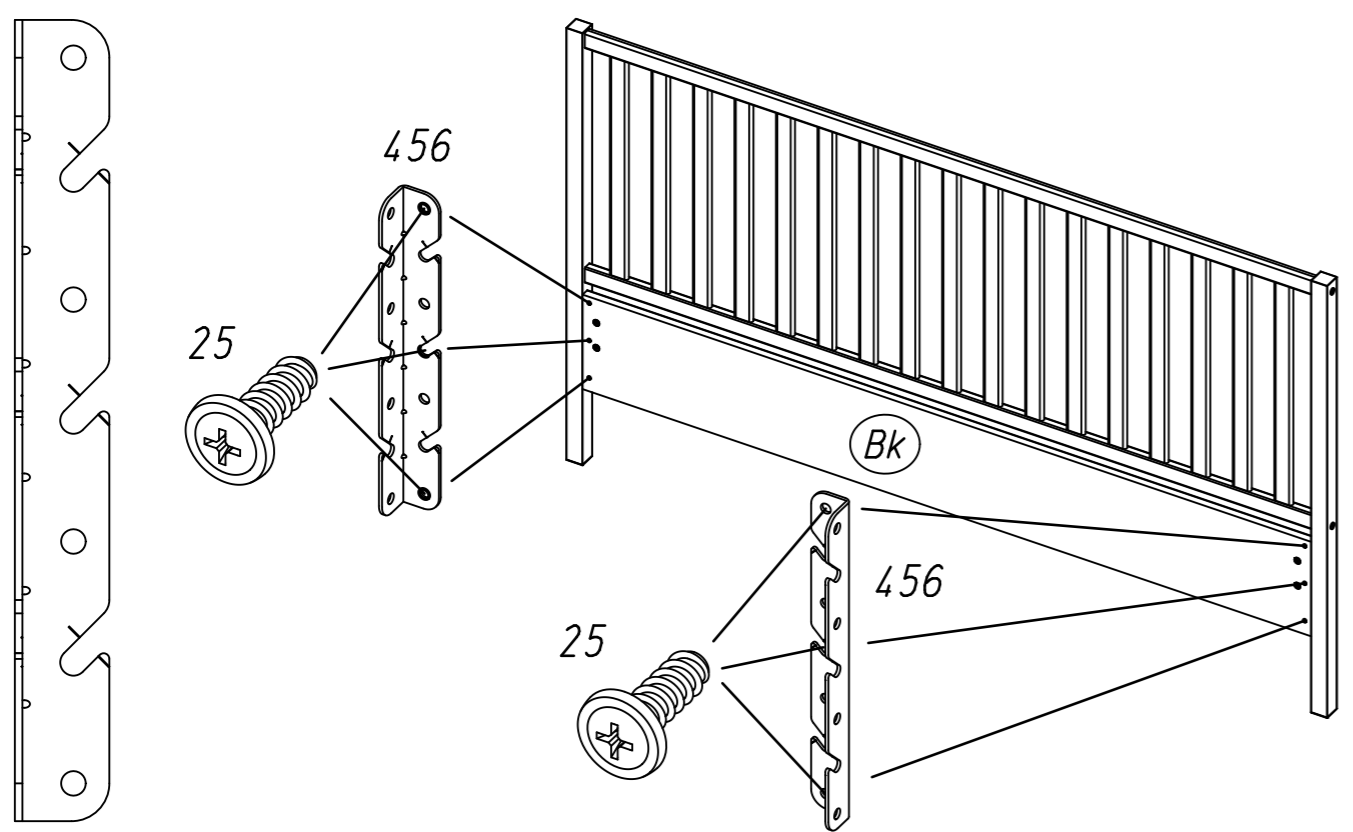
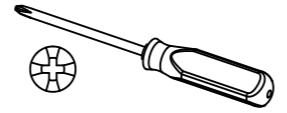
2x 456



6x 25

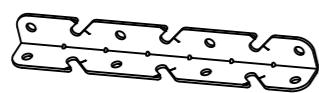


6,3x18

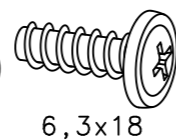


9

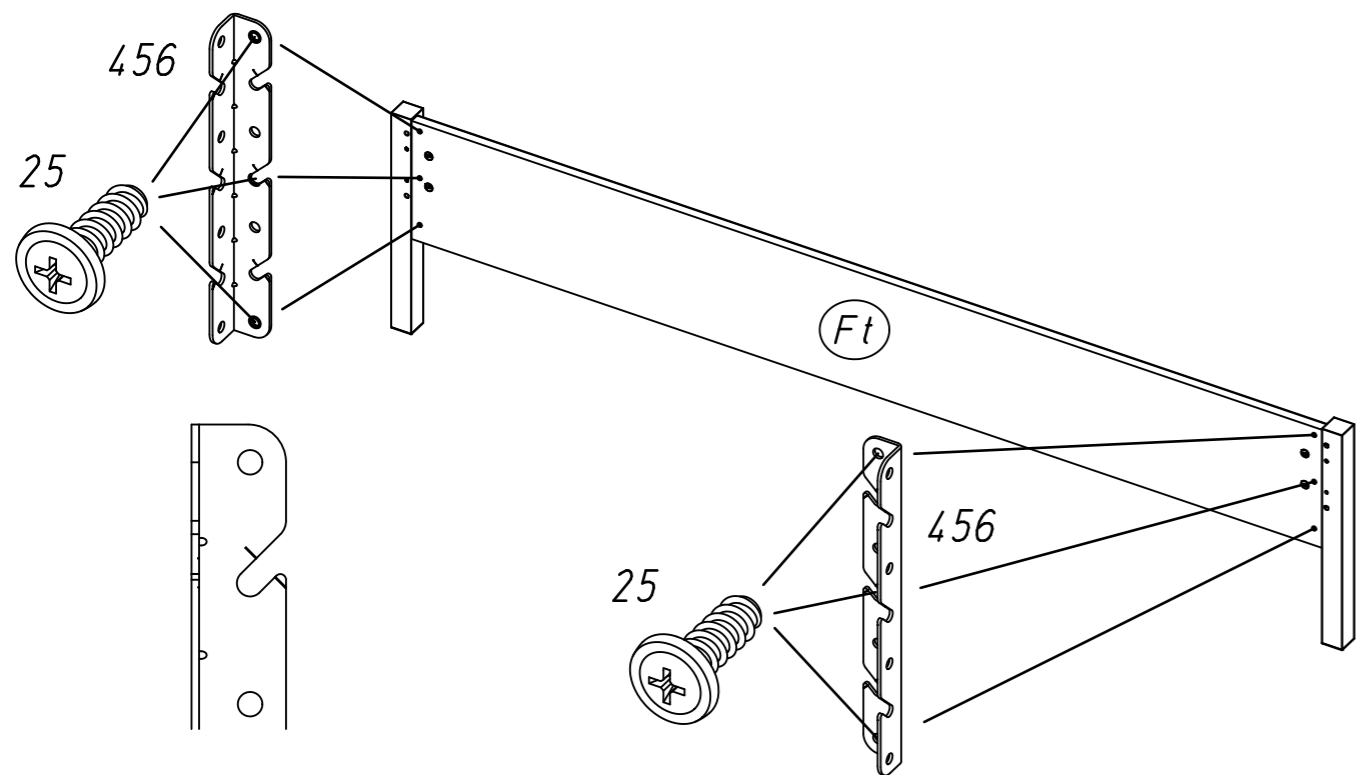
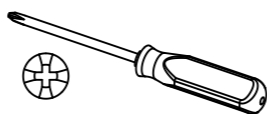
2x 456



6x 25

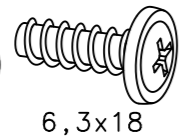


6,3x18

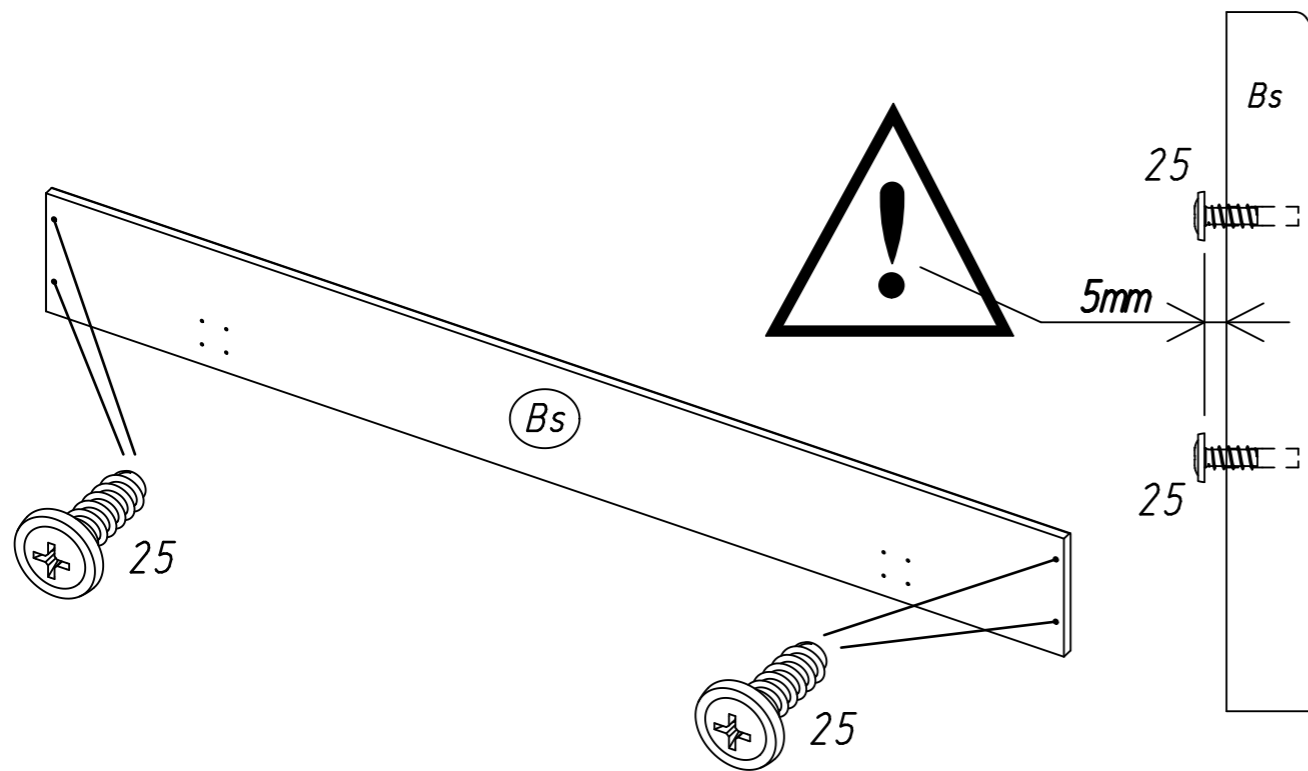
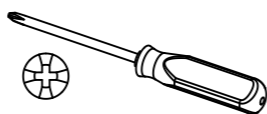


10

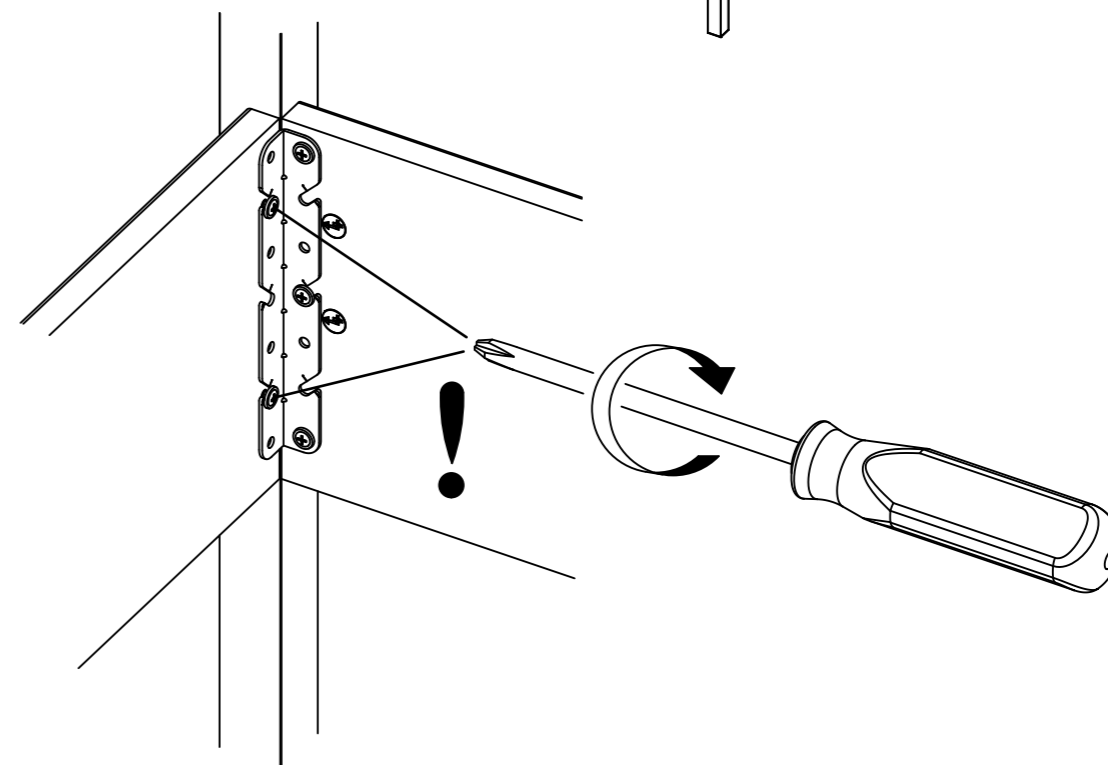
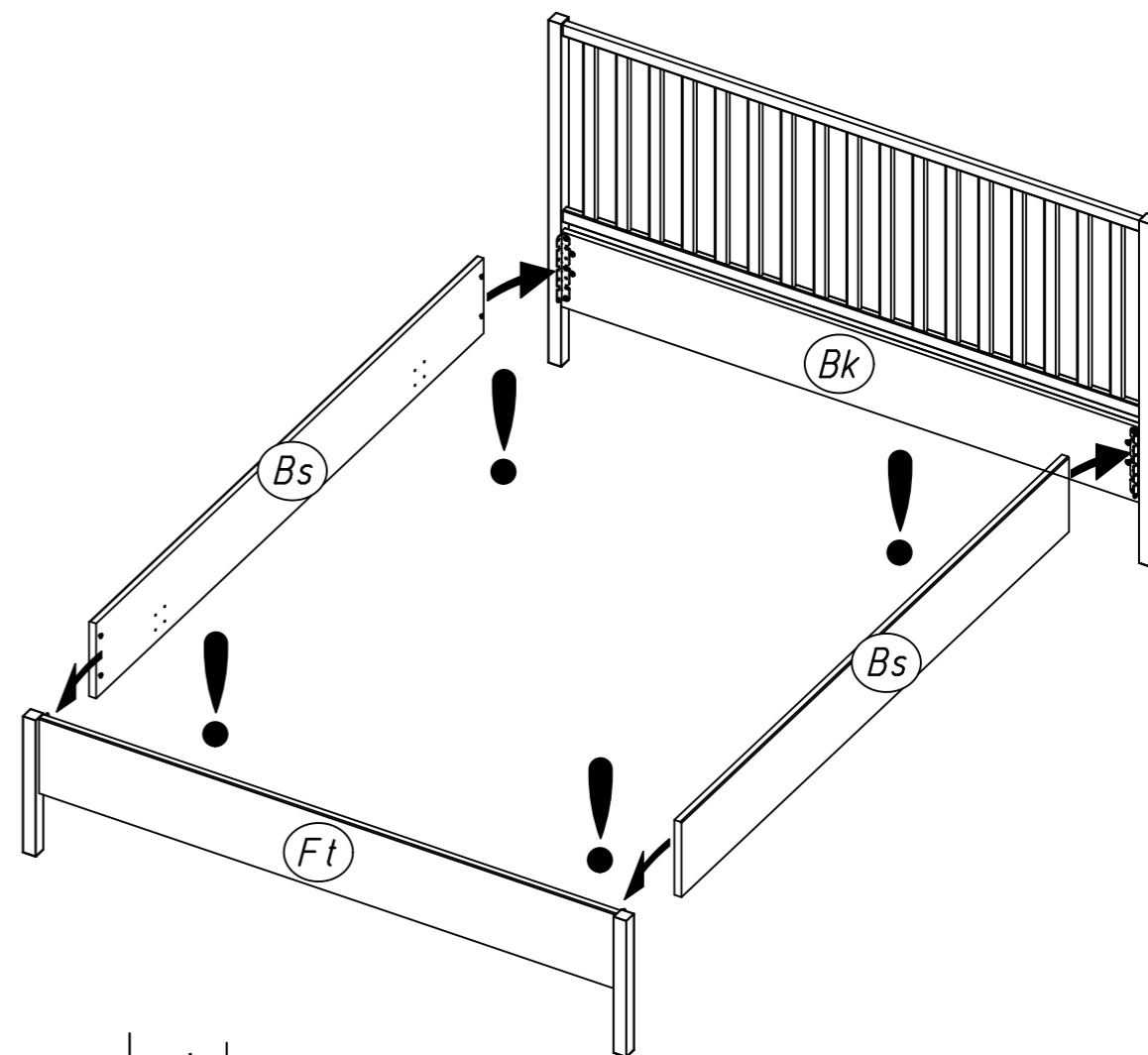
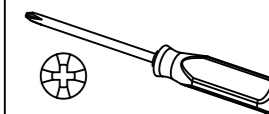
8x 25



6,3x18



11

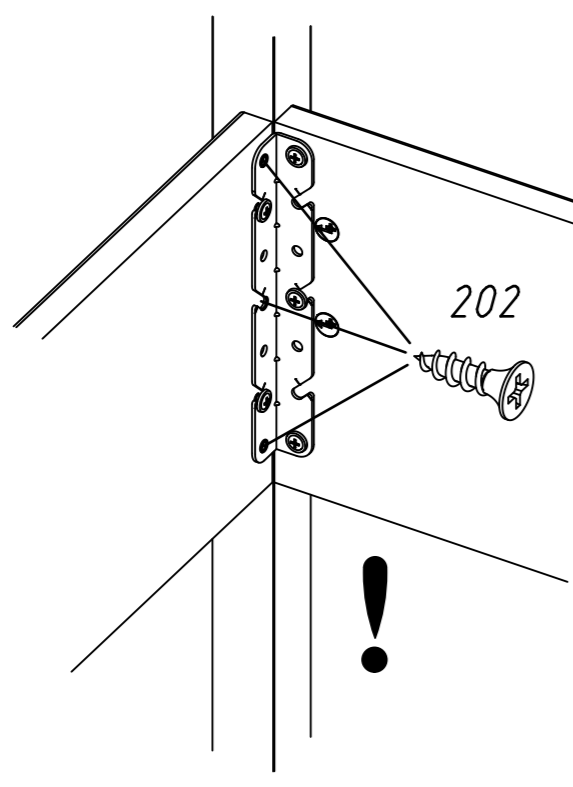
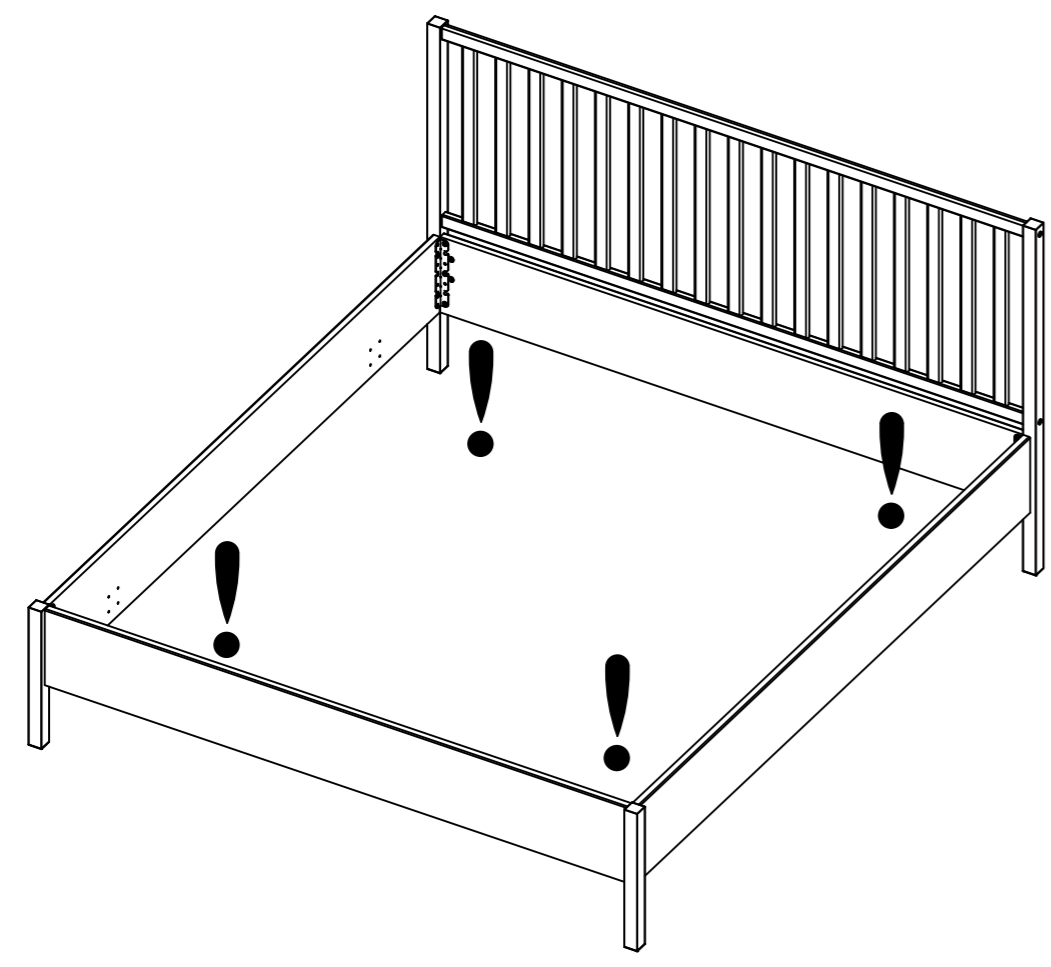
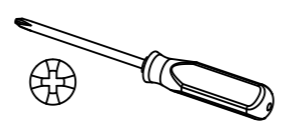


12

12x 202

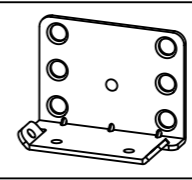


4.5x16



13

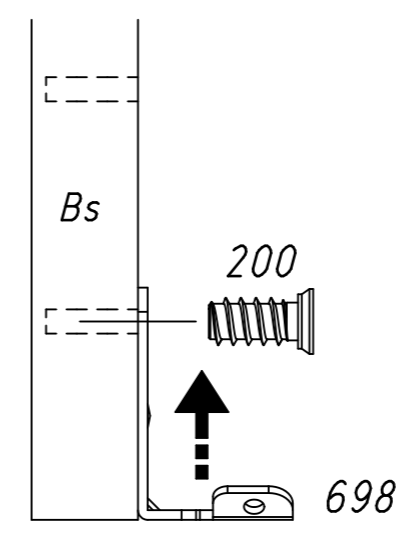
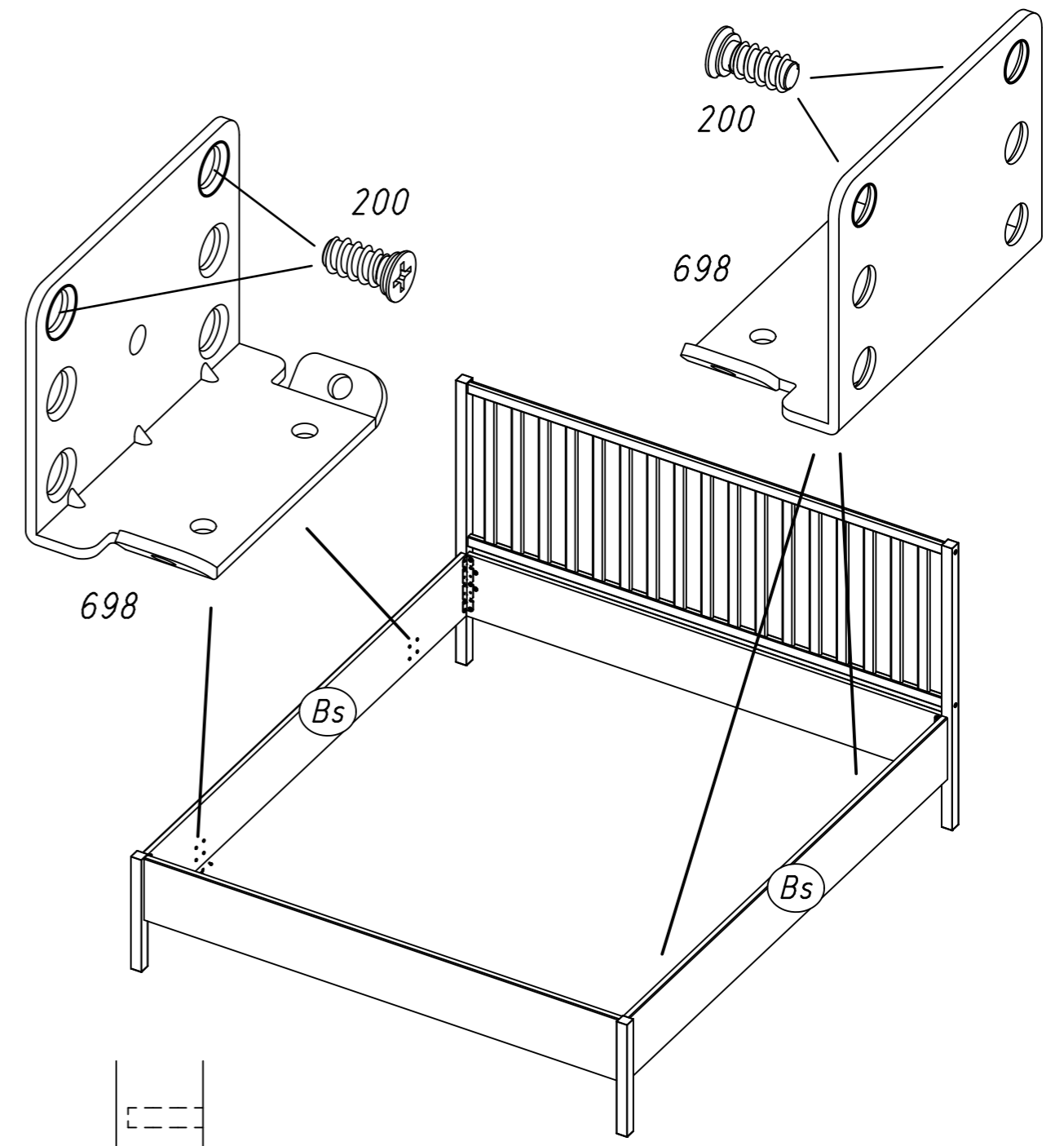
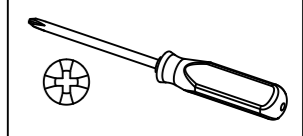
4x 698



8x 200



6,3x14



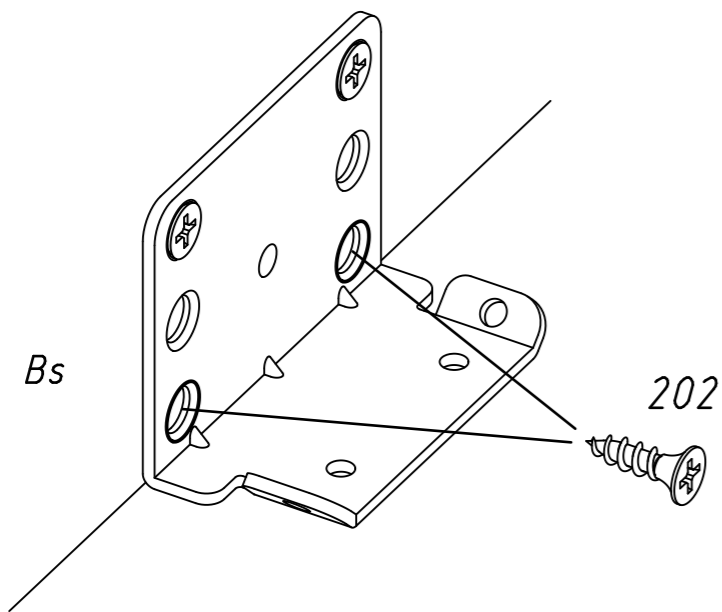
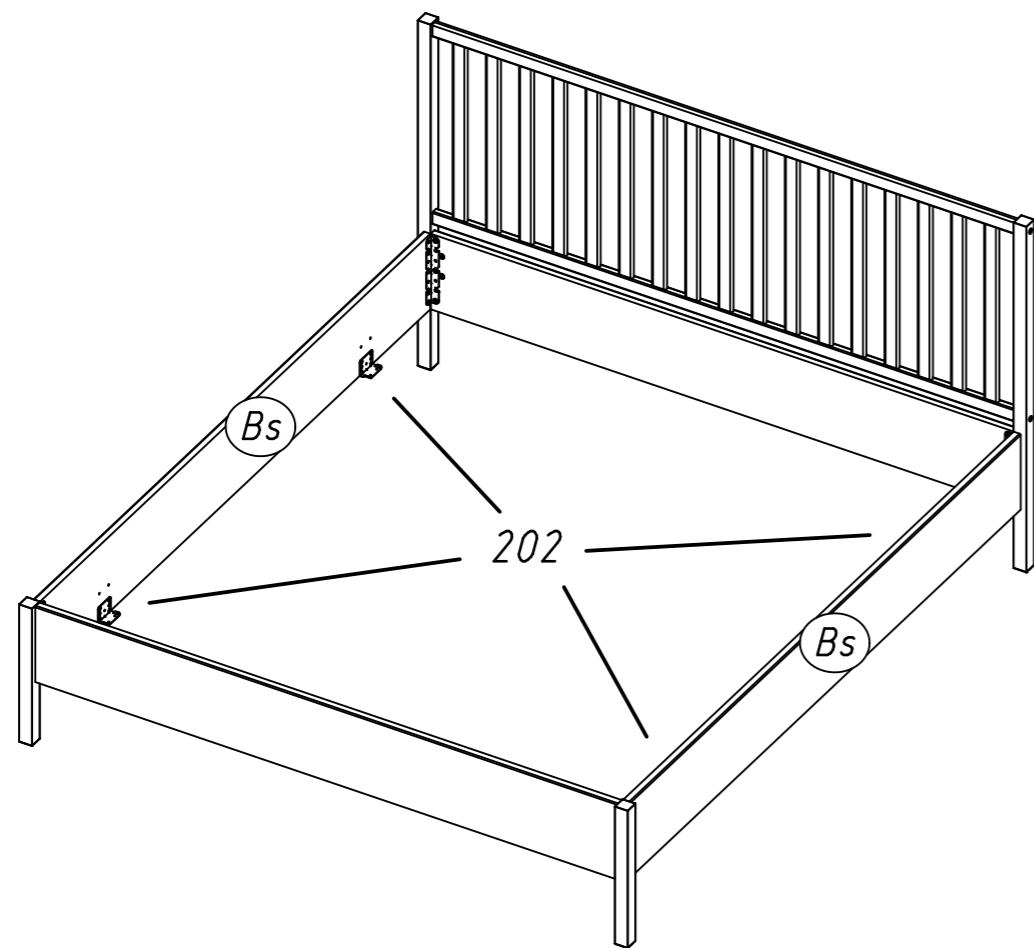
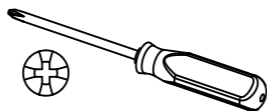
14

8x

202



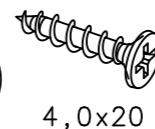
4.5x16



15

6x

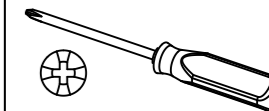
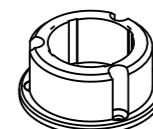
427



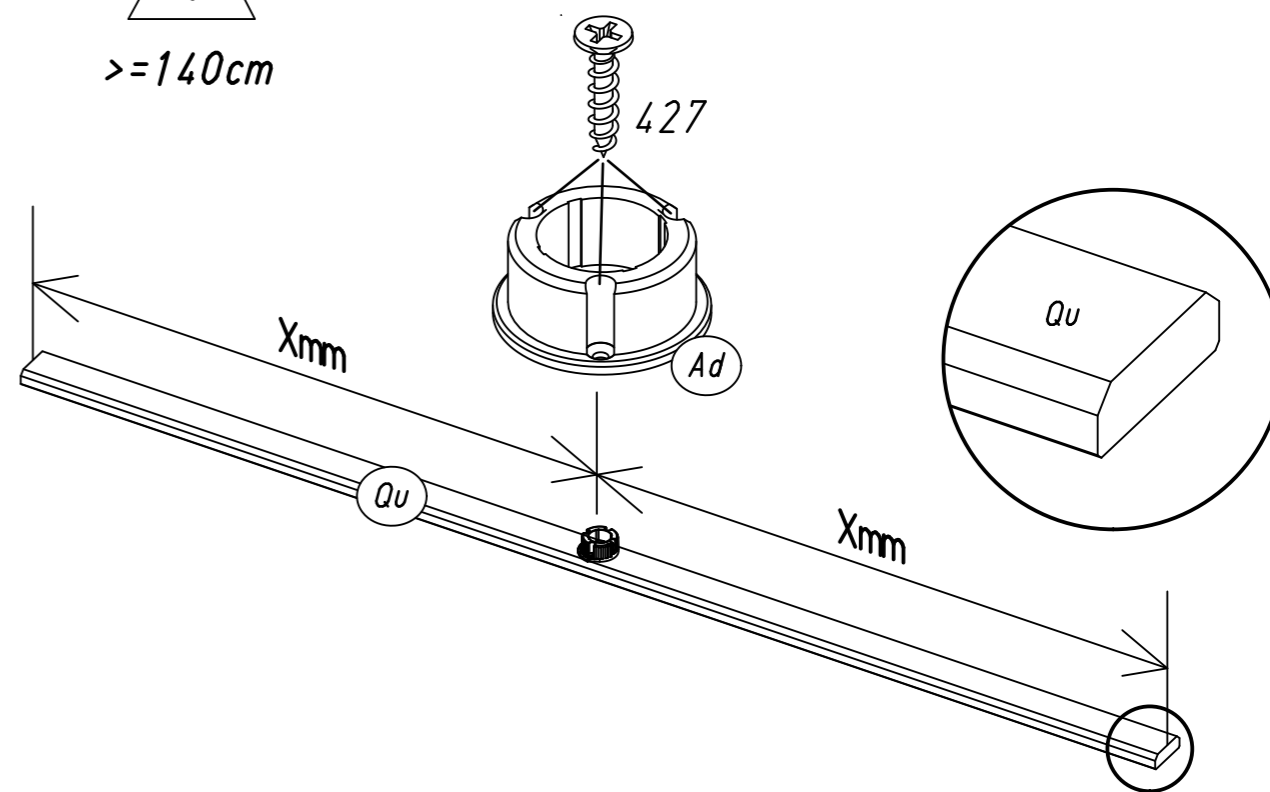
4,0x20

2x

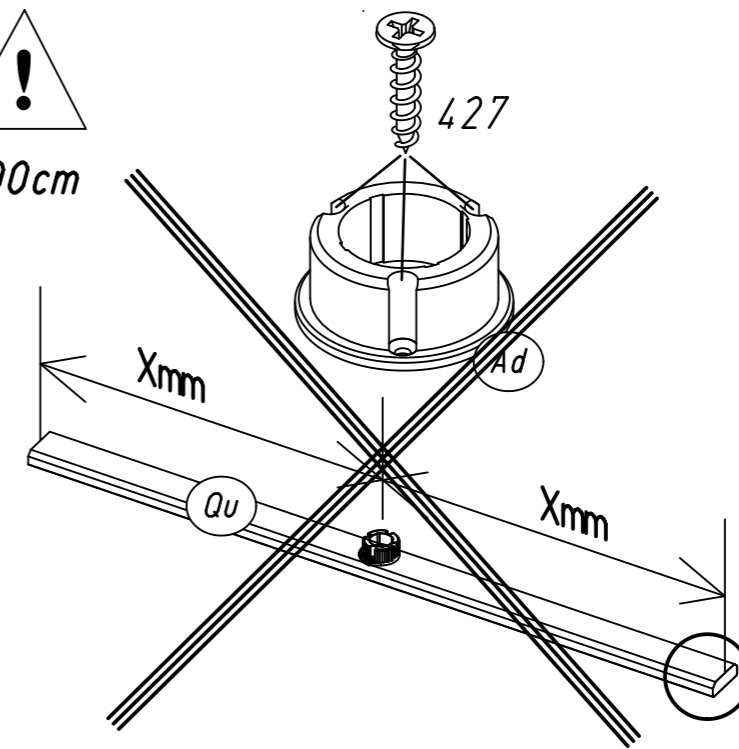
Ad



!
 >=140cm



!
 90cm

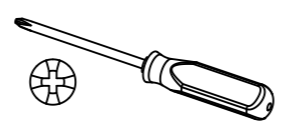


16

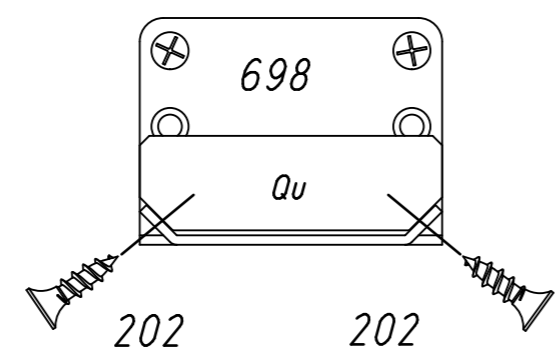
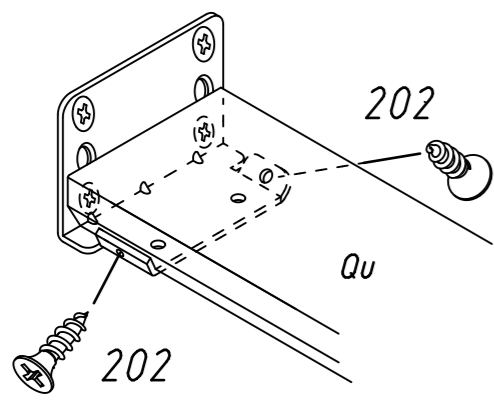
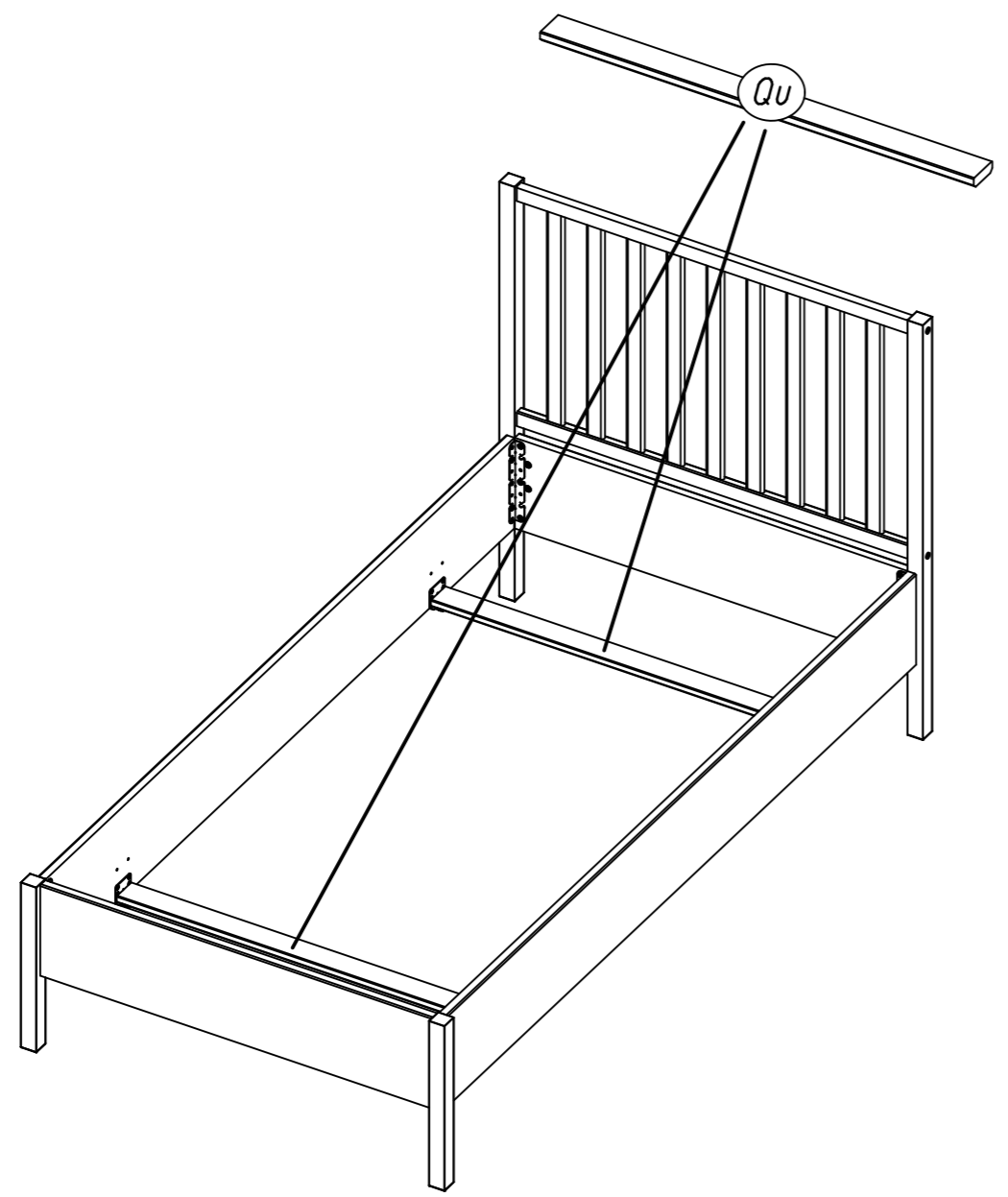
8x 202



4.5x16



90cm



17

8x 202



4.5x16



>=140cm

