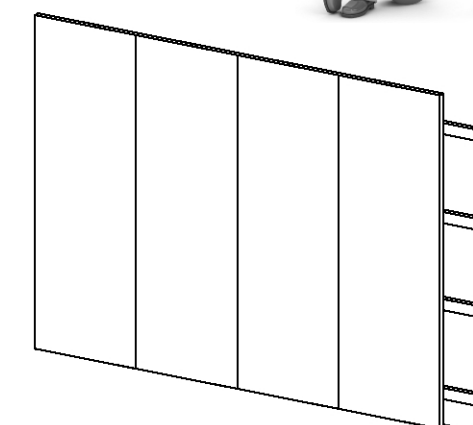
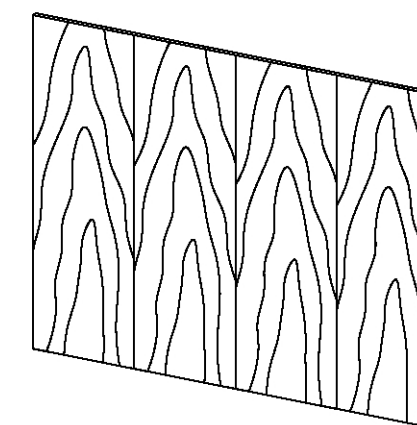
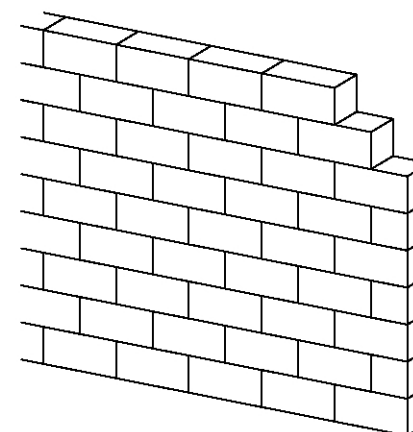
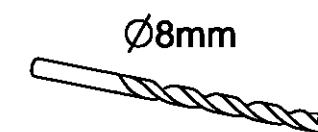
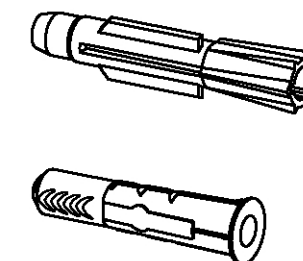
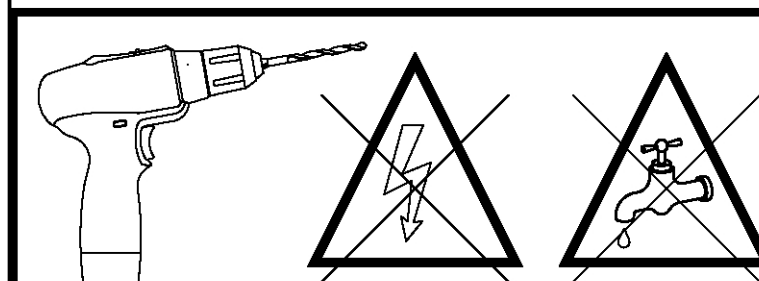
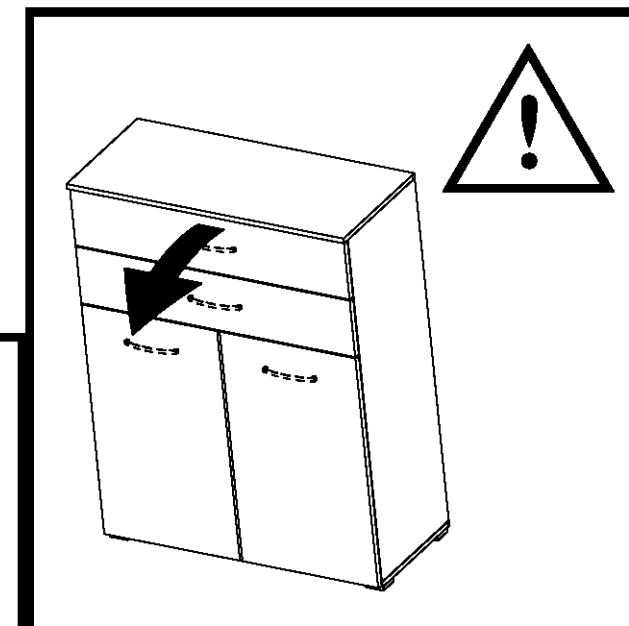
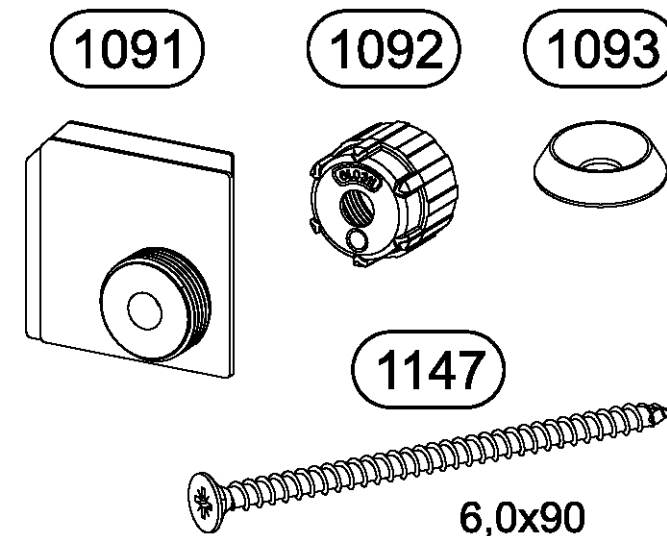
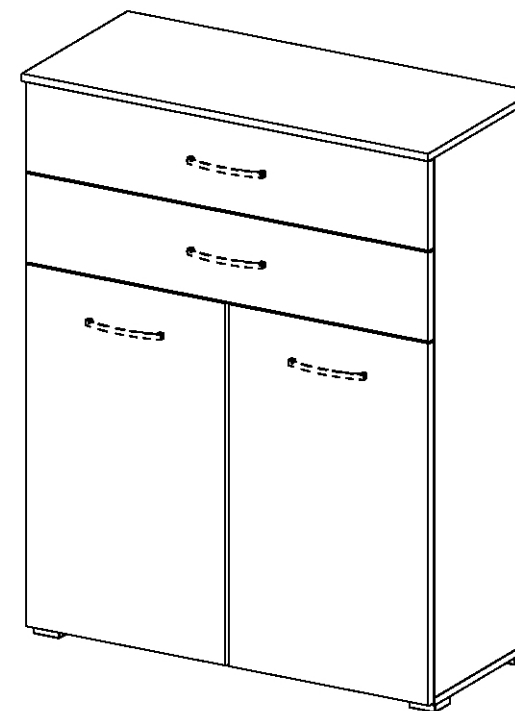
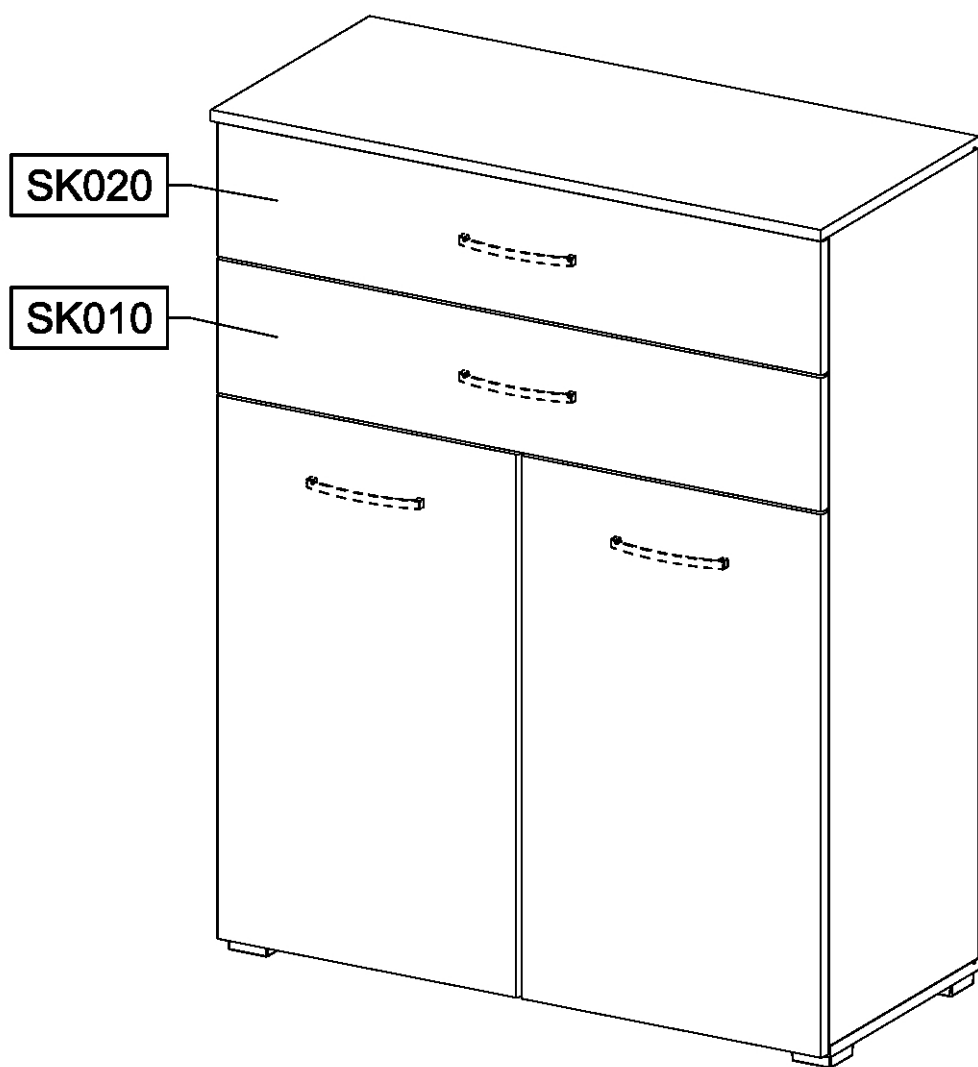
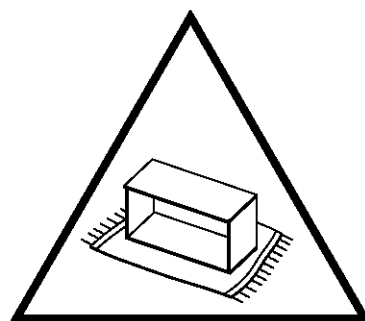
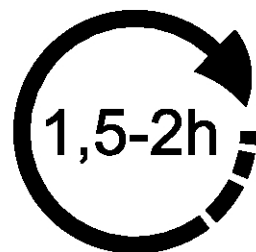
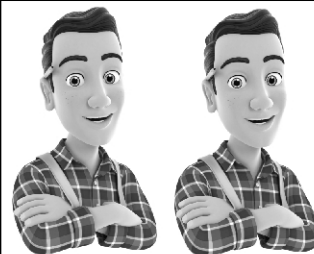
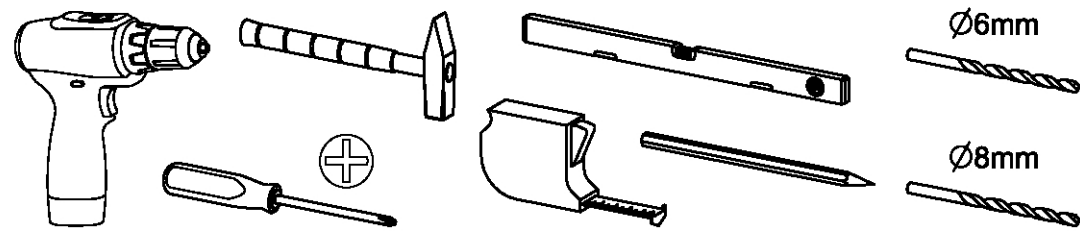
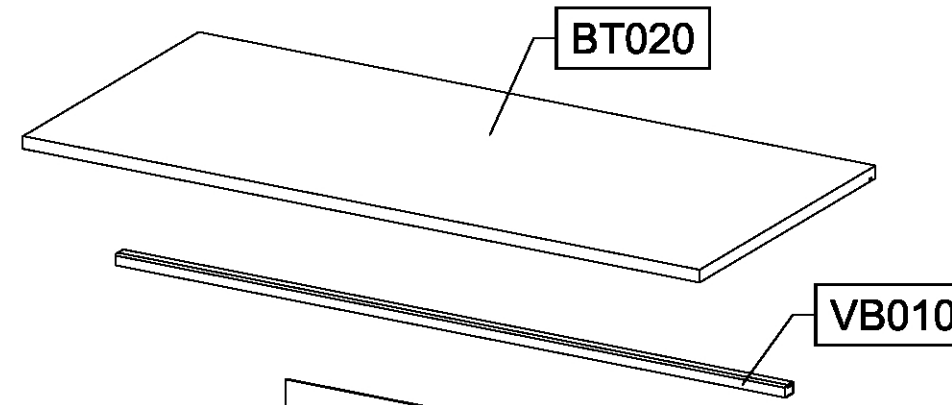
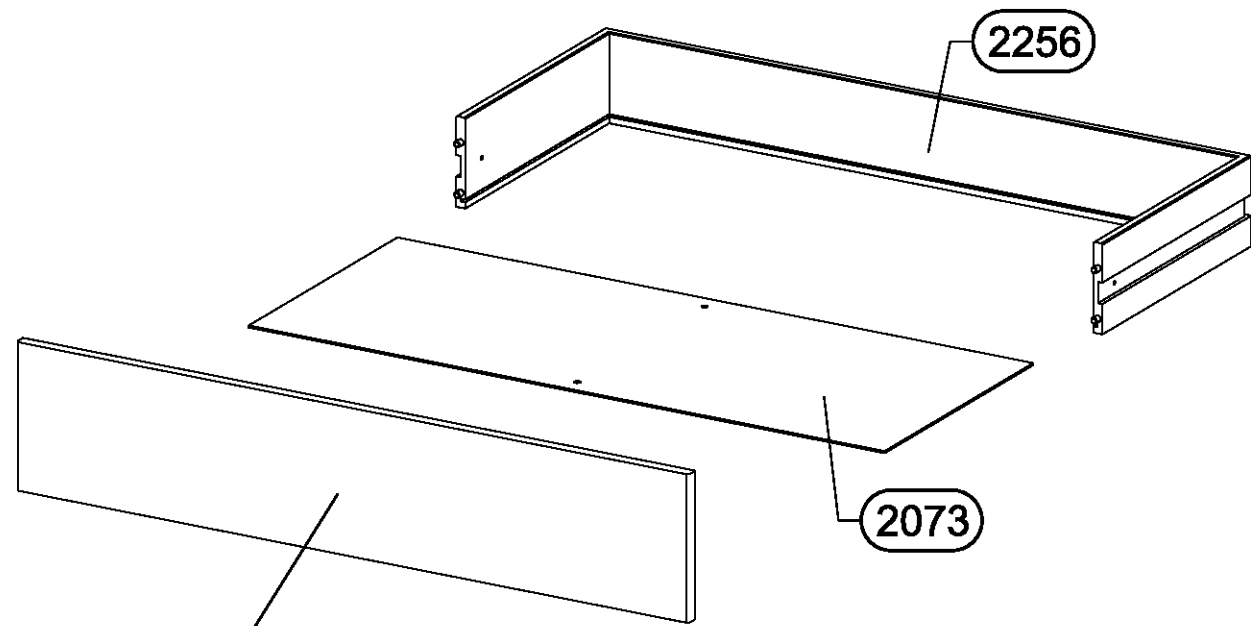


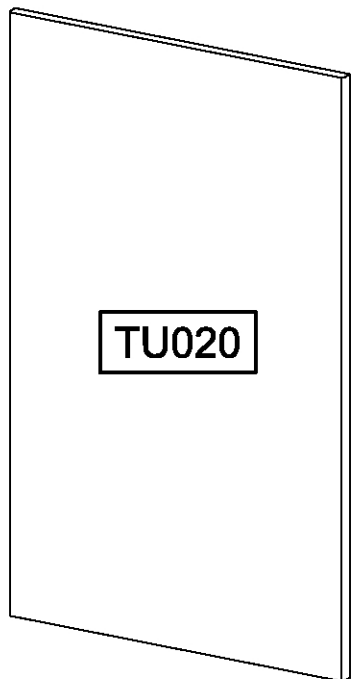
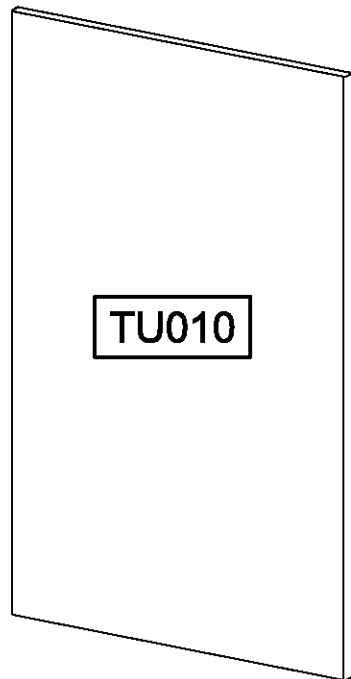
M2619_01

rauch

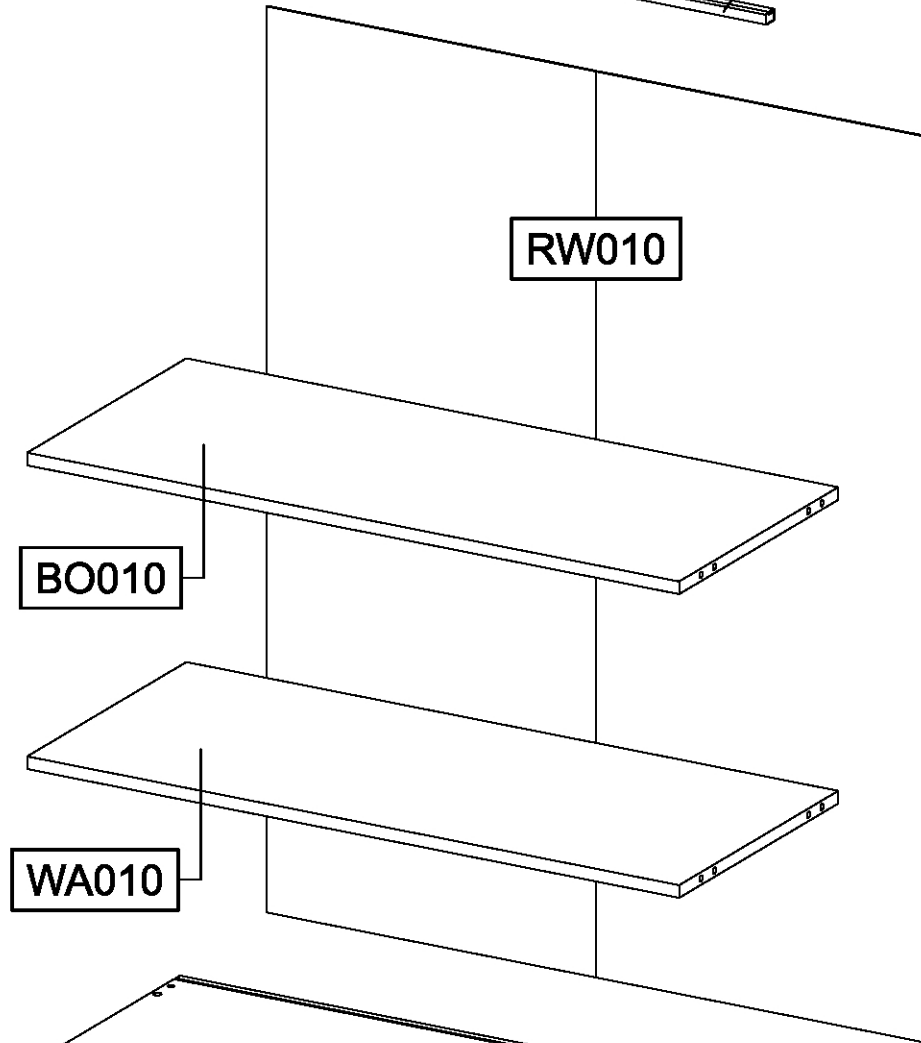
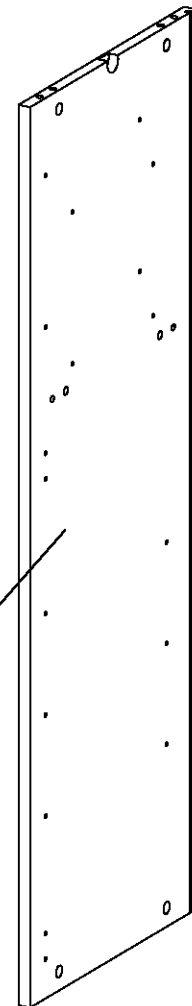




SK010 SK020



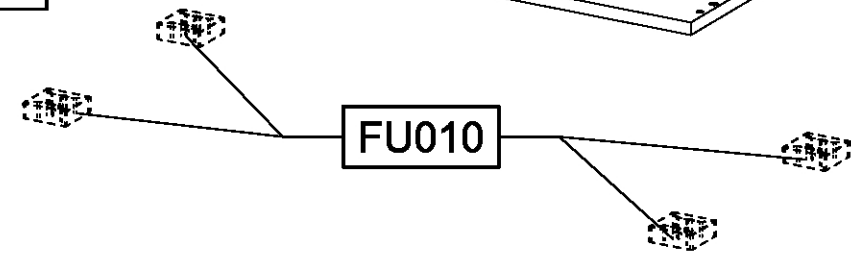
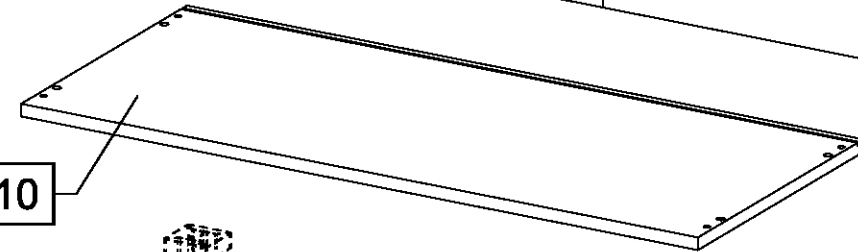
SE010



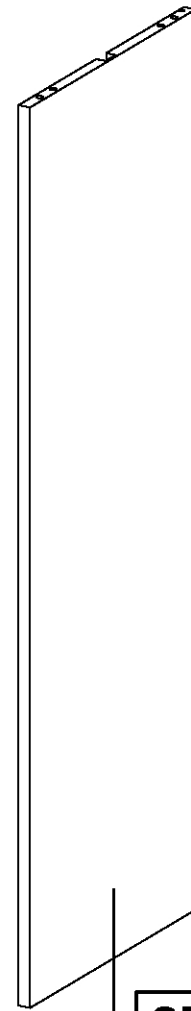
BO010

WA010

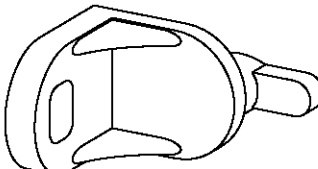
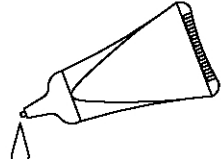

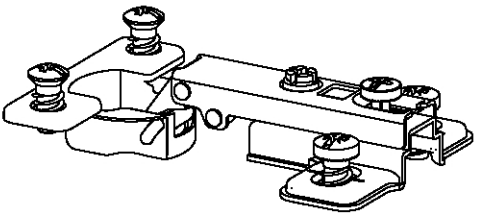
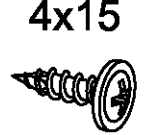
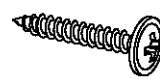
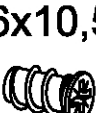
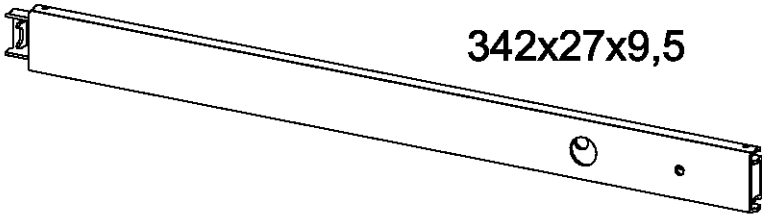


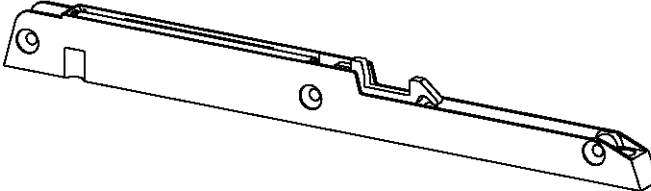
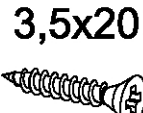



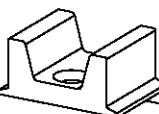
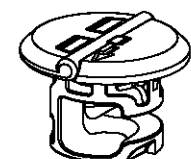

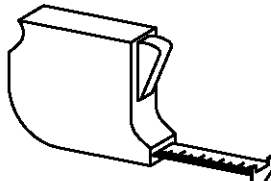
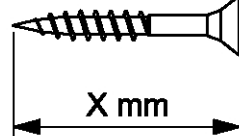
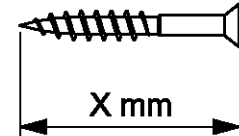
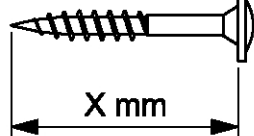
BT010

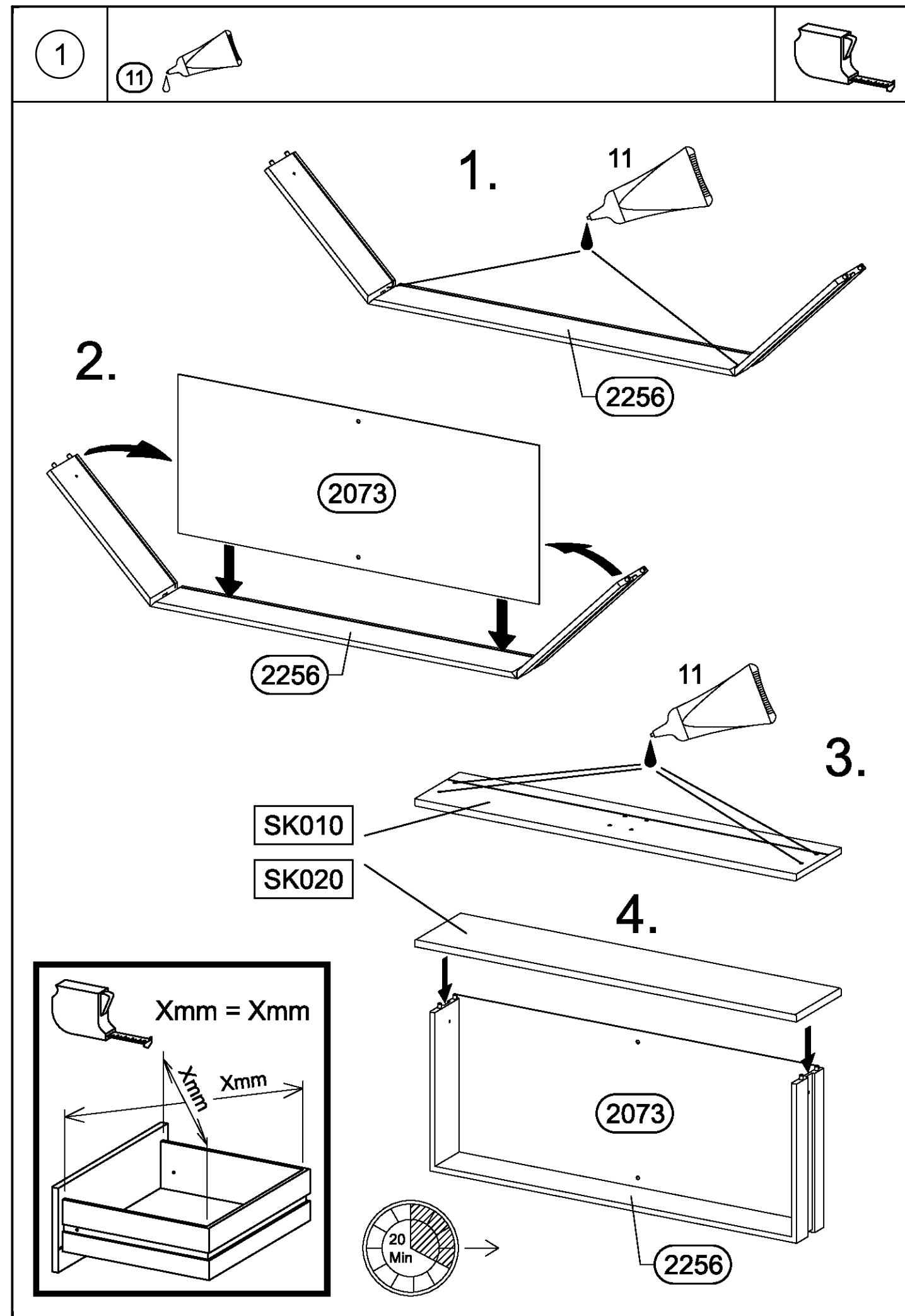


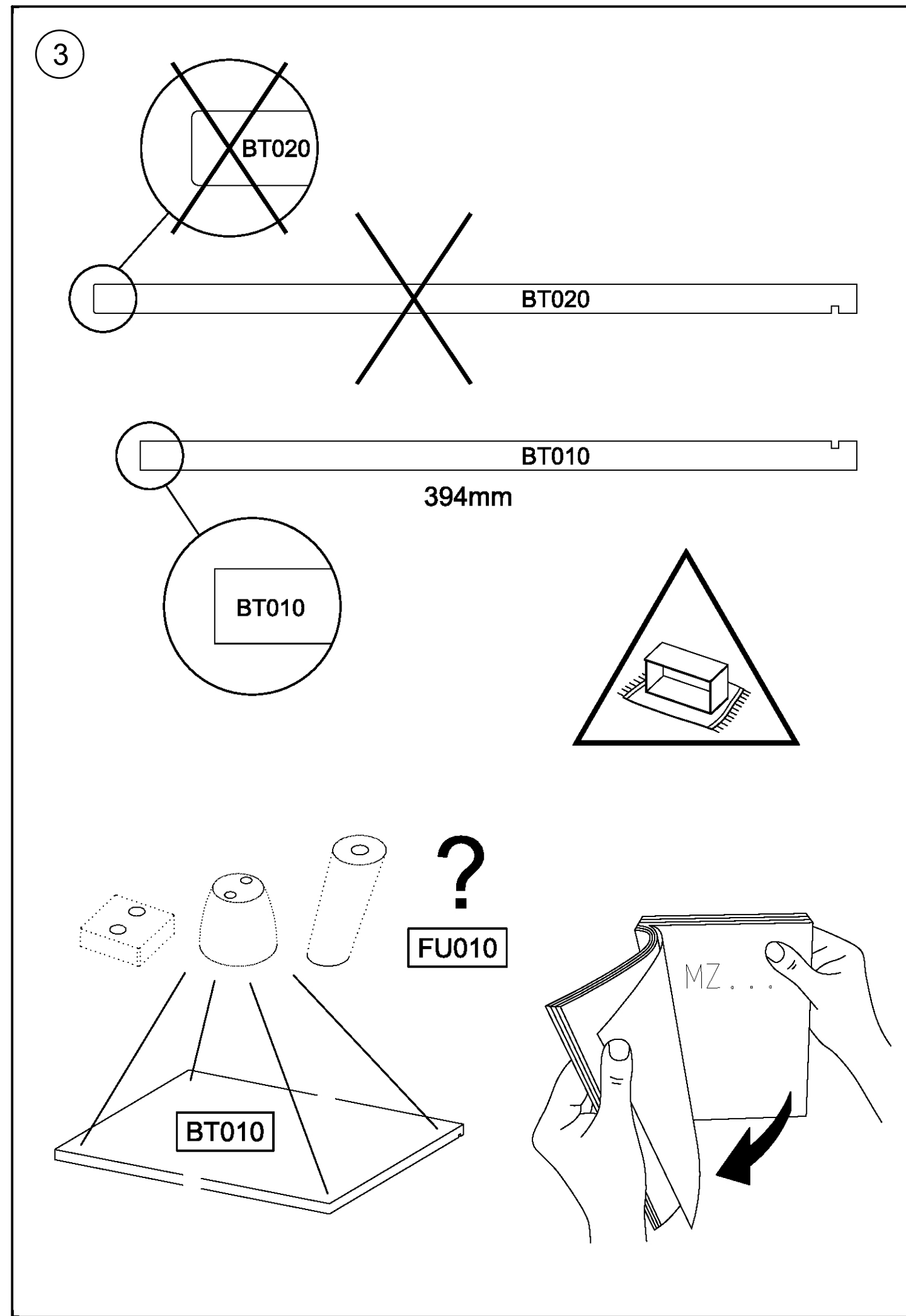
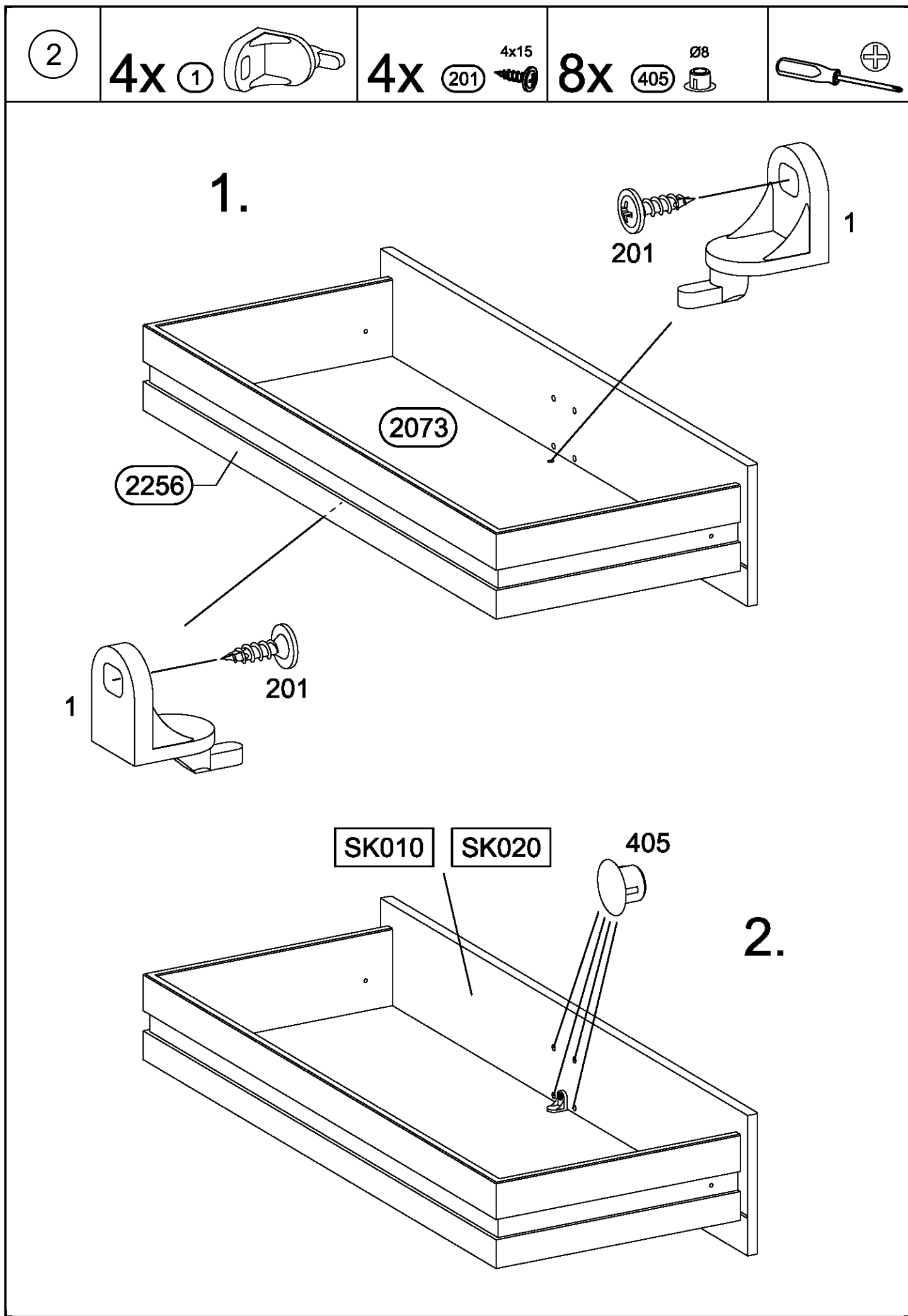
FU010



SE020

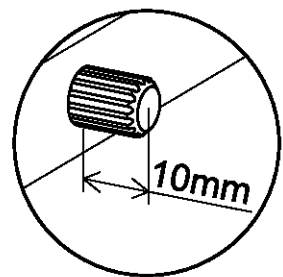
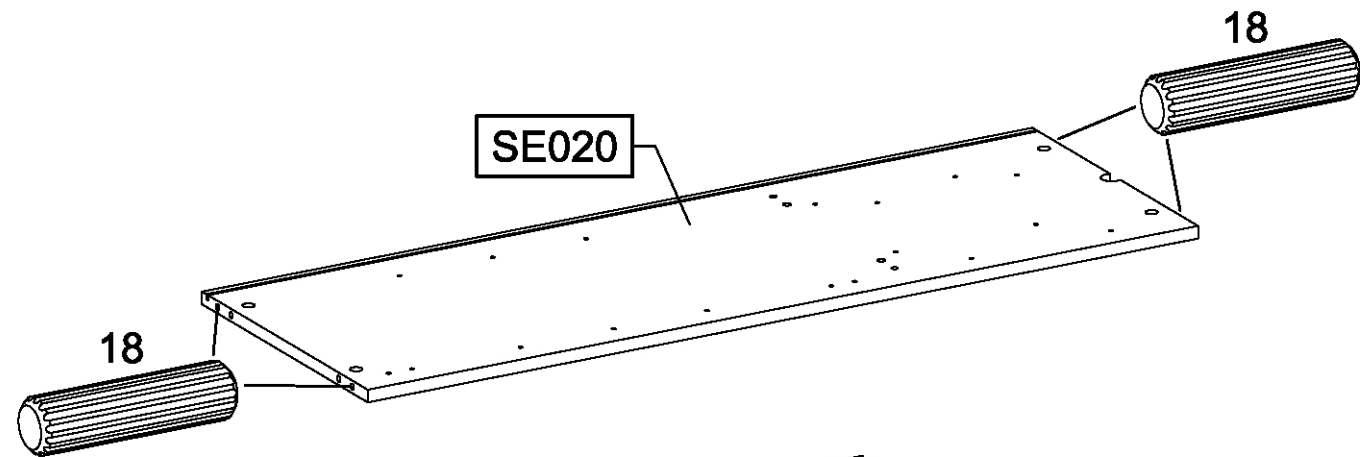
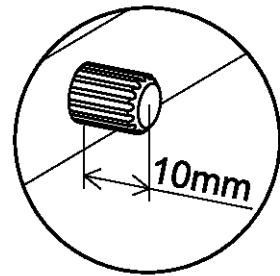
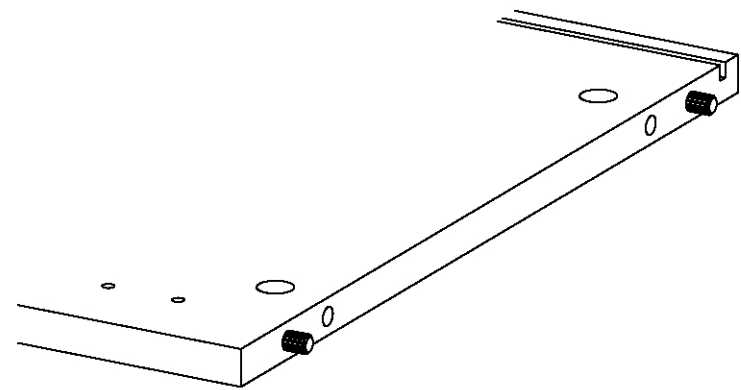
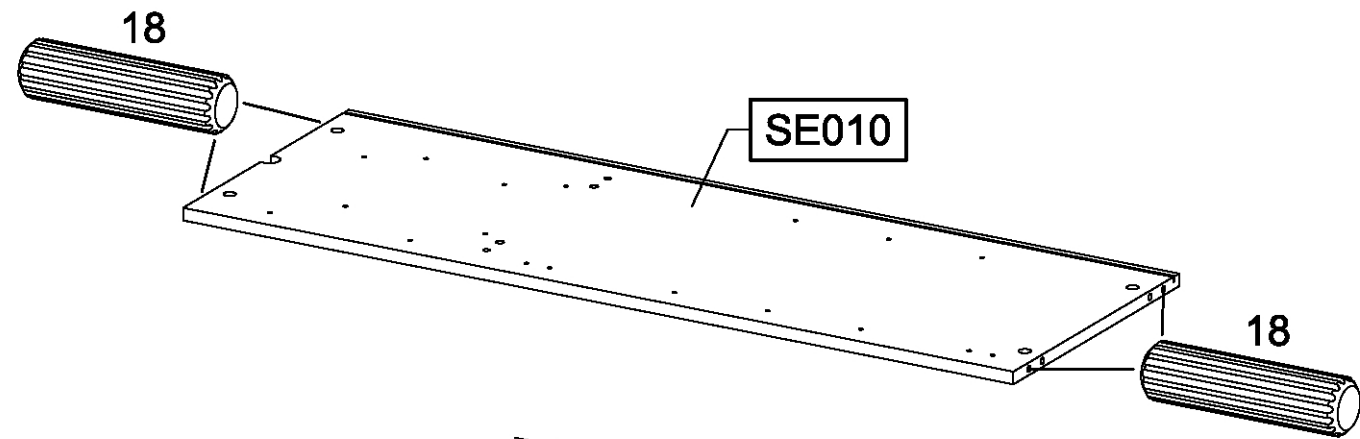
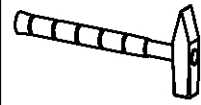
4x ① 	11x ⑪ 	12x ⑱ 	
4x ⑬⑩ 	4x ⑳① 	6x ㉕⑤ 	
8x ②②⑦ 	4x ②⑤⑨ 	342x27x9,5	
8x ④①⑤ 	4x ⑤⑥⑧ 	4x ①①①① 	
16x ①①①② 	8x ①①①③ 	6x ①①①①①① 	
4x ①①①①⑤ 	4x ①①①①⑦ 	12x ①①①①①①①①①①①① 	
12x ①①①①①①①①①①①① 			
			





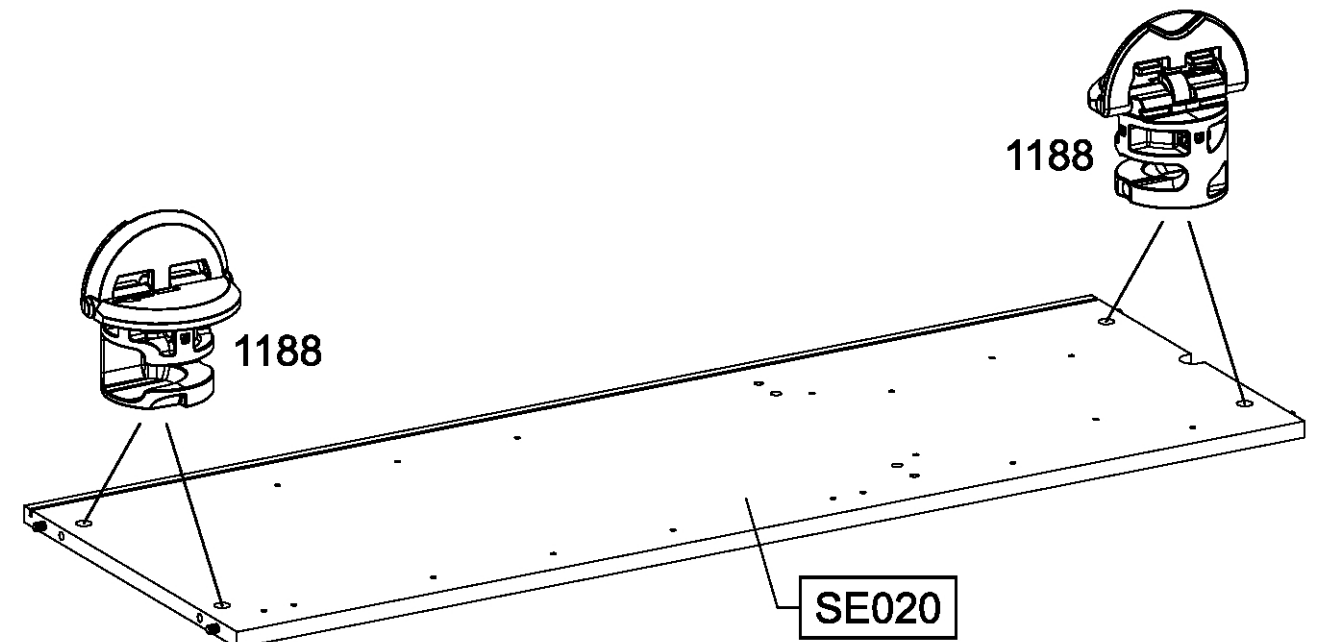
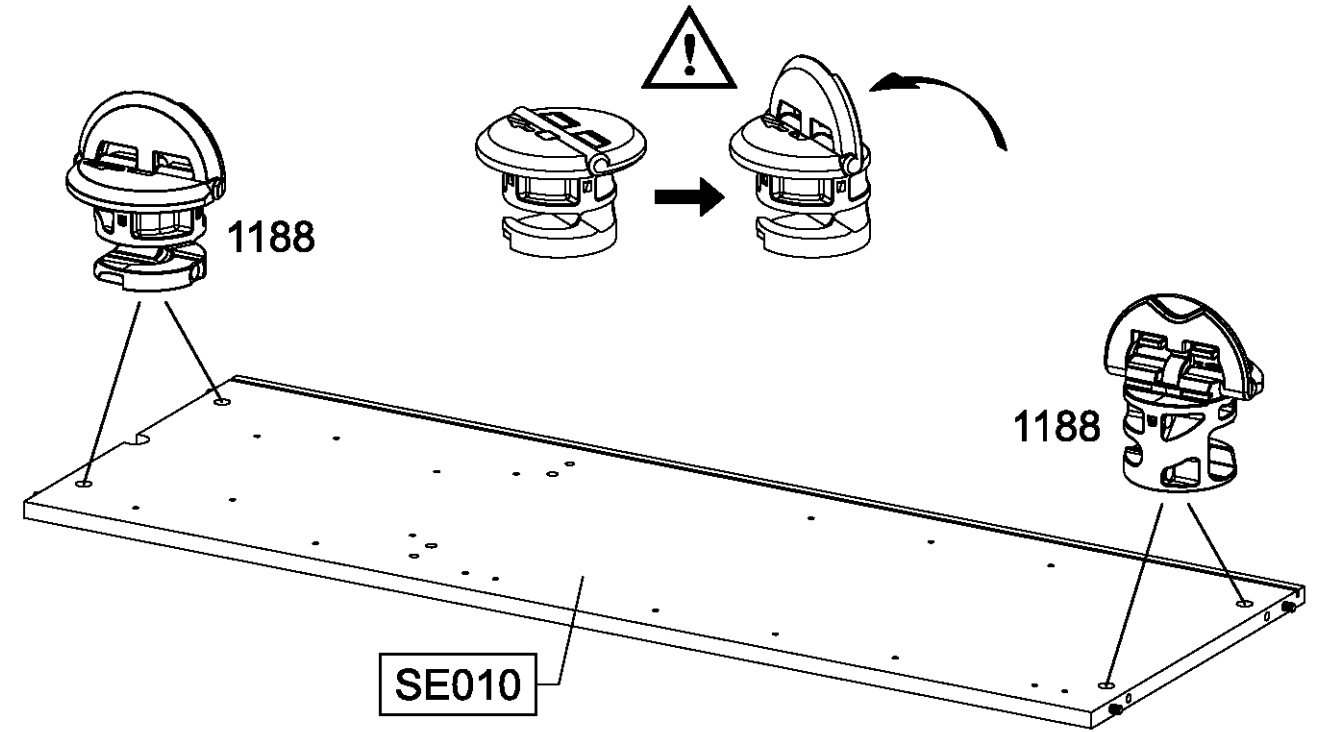
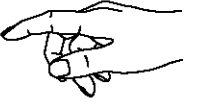
4

8x 18 8x30



5

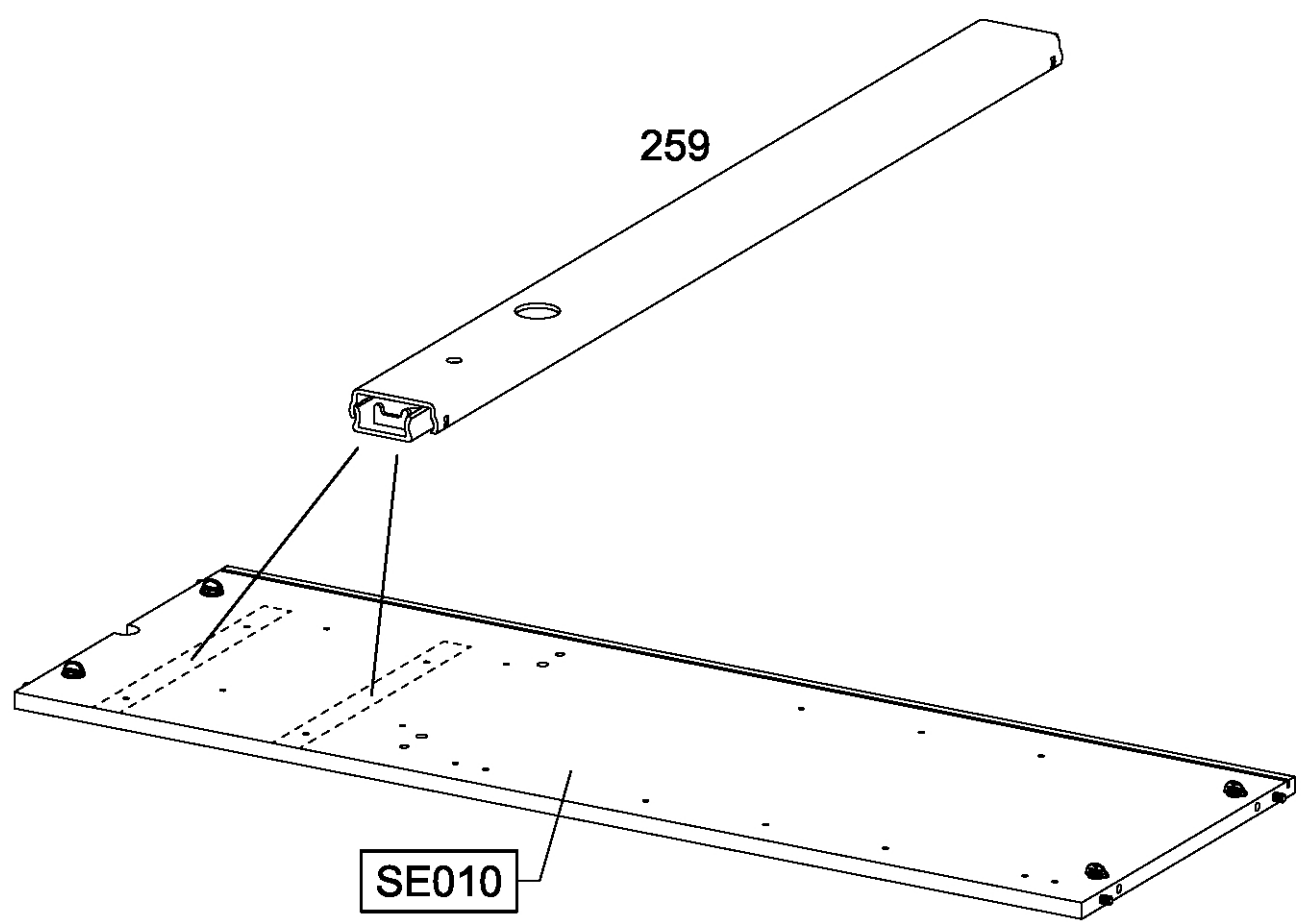
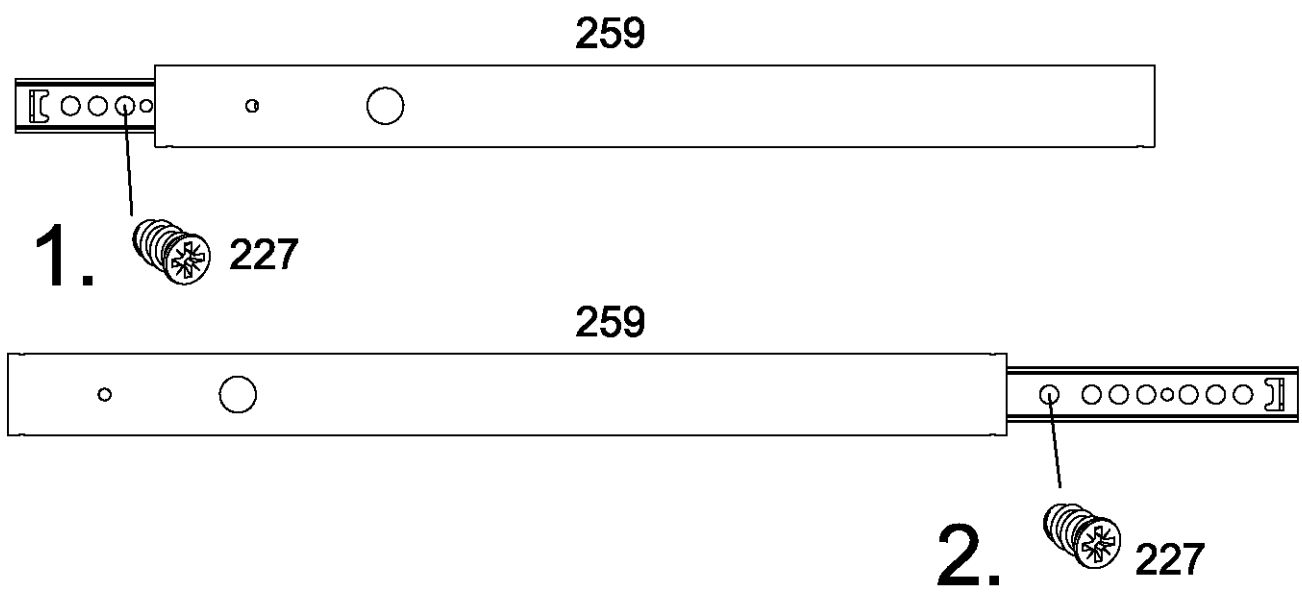
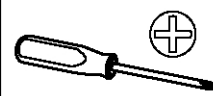
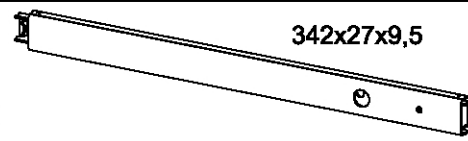
8x 1188



6

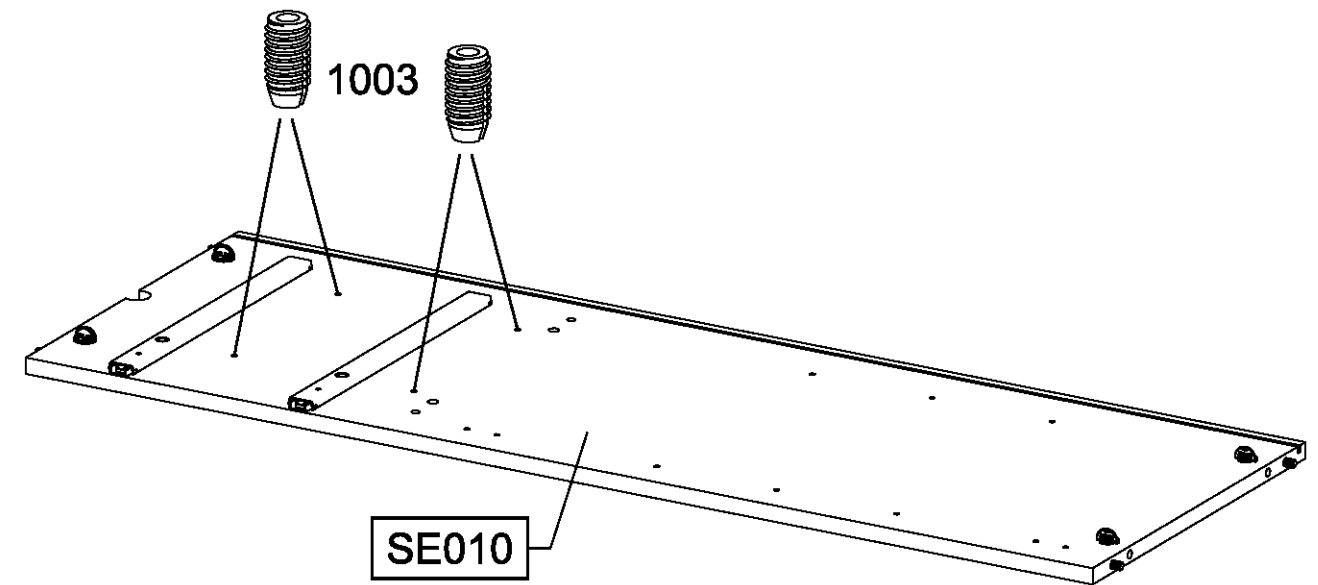
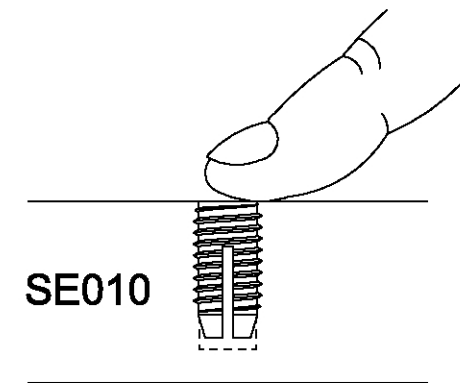
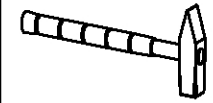
4x 227 6x10,5

2x 259



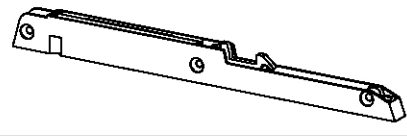
7

4x 1003 6x12

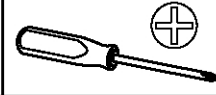
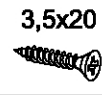


8

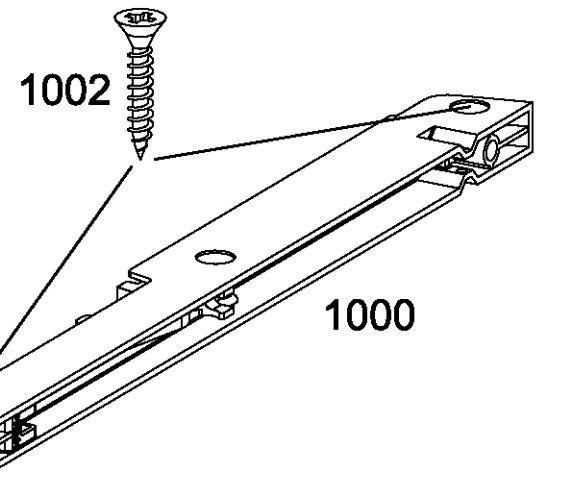
2x 1000



6x 1002



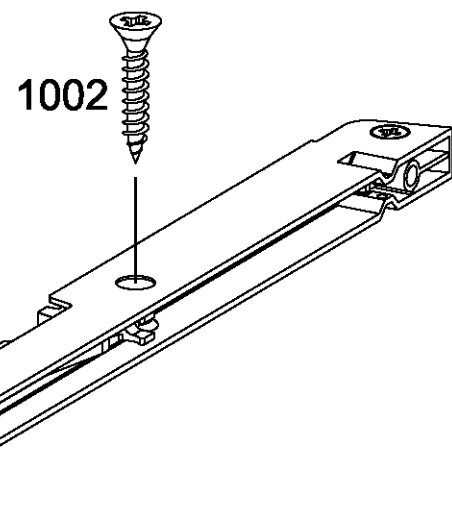
1.



1000

SE010

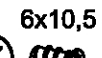
2.



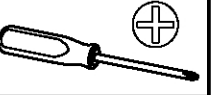
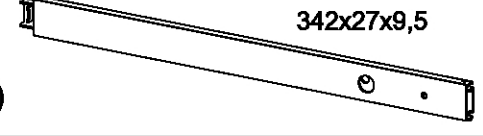
1002

9

4x 227



2x 259

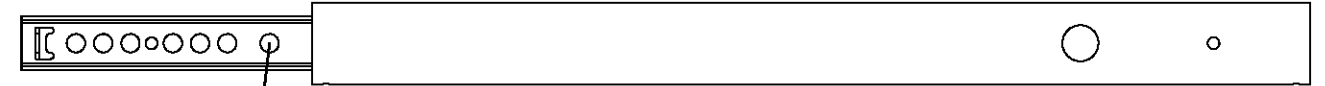


259



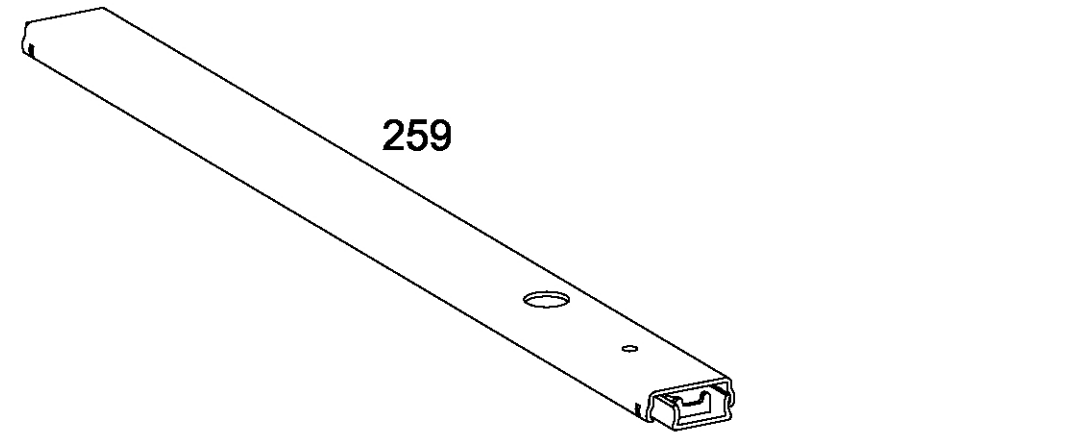
227 1.

259



227 2.

259



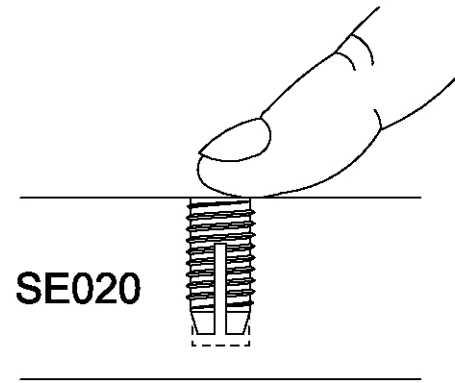
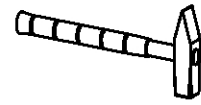
SE020

10

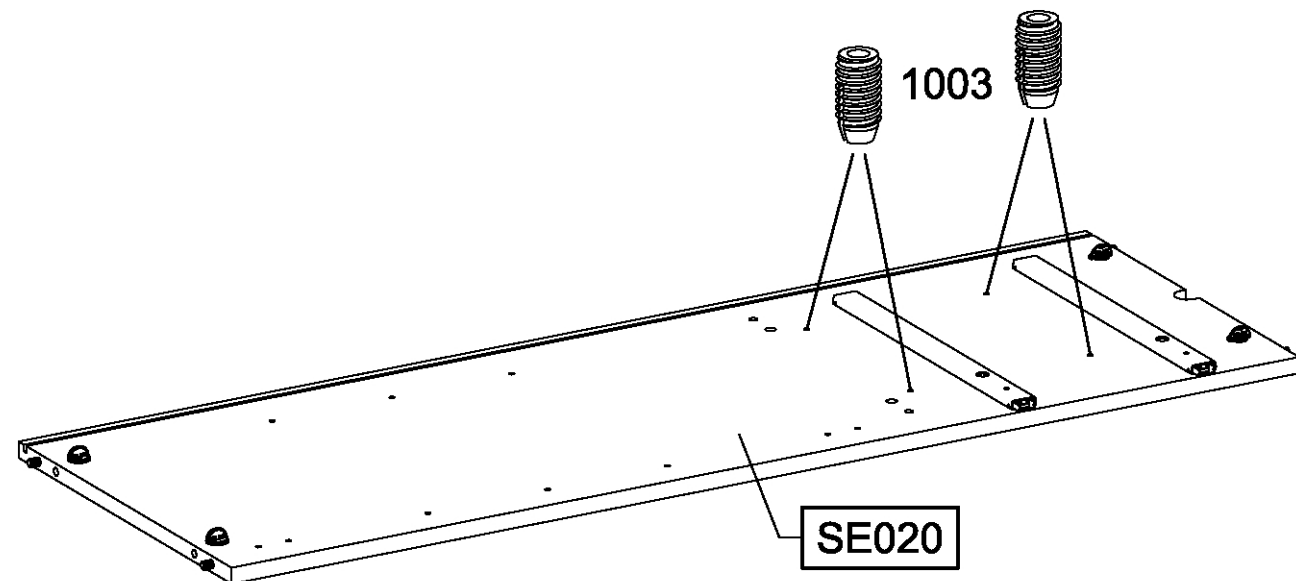
4x

1003

6x12



SE020

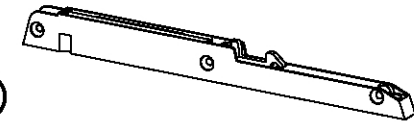


SE020

11

2x

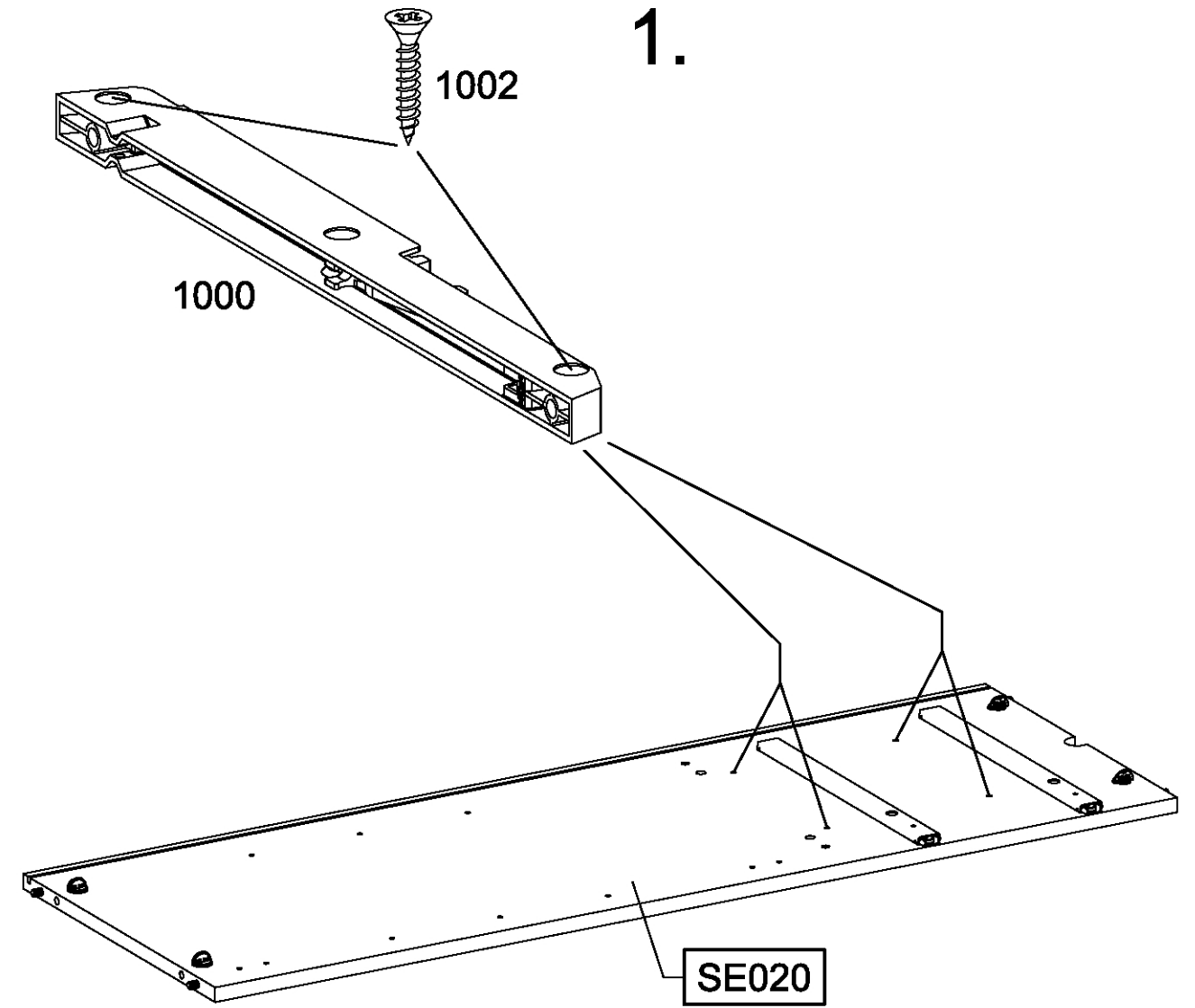
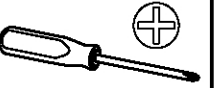
1000



6x

1002

3,5x20

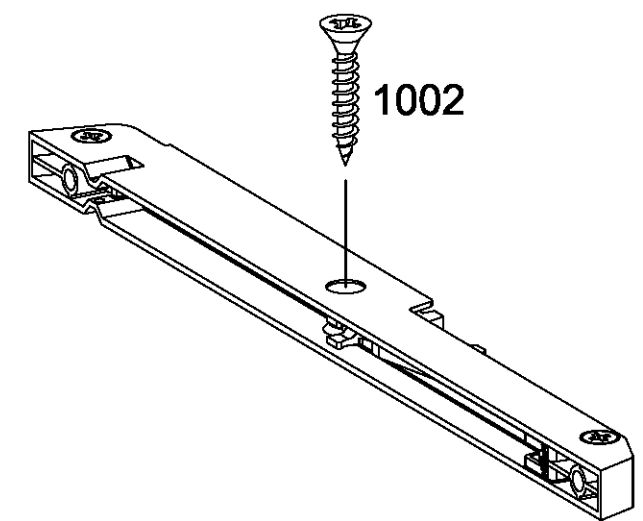


1.

1002

1000

SE020



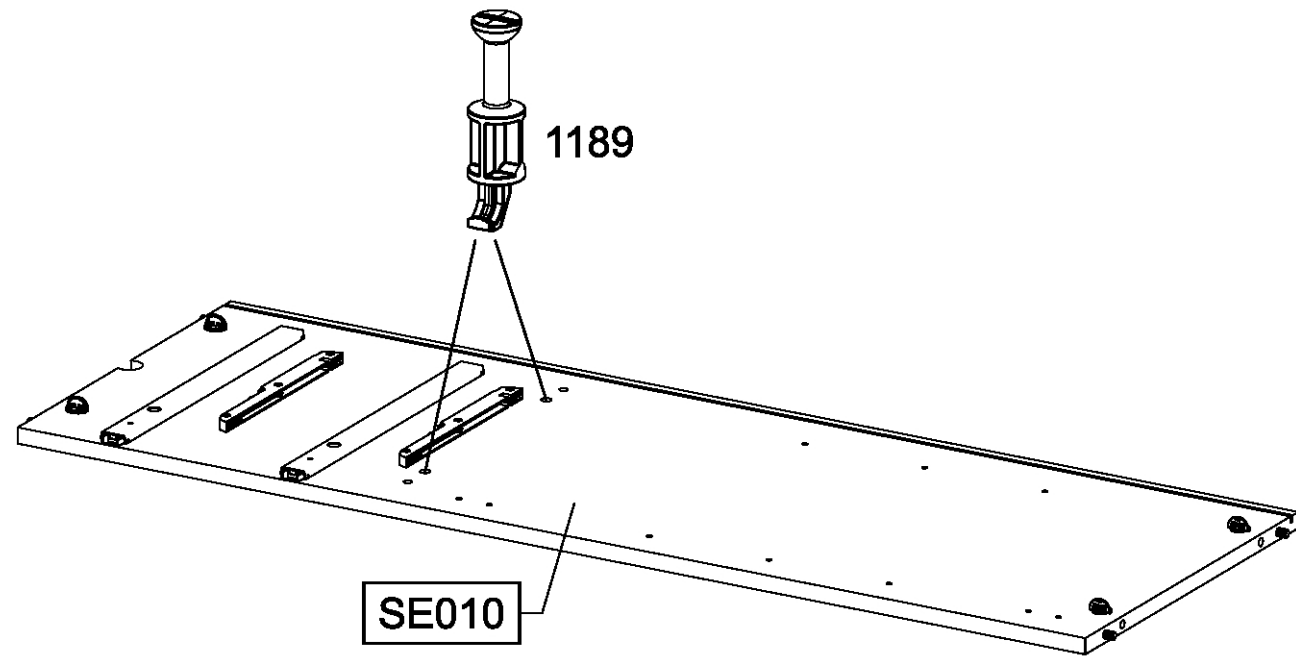
2.

1002

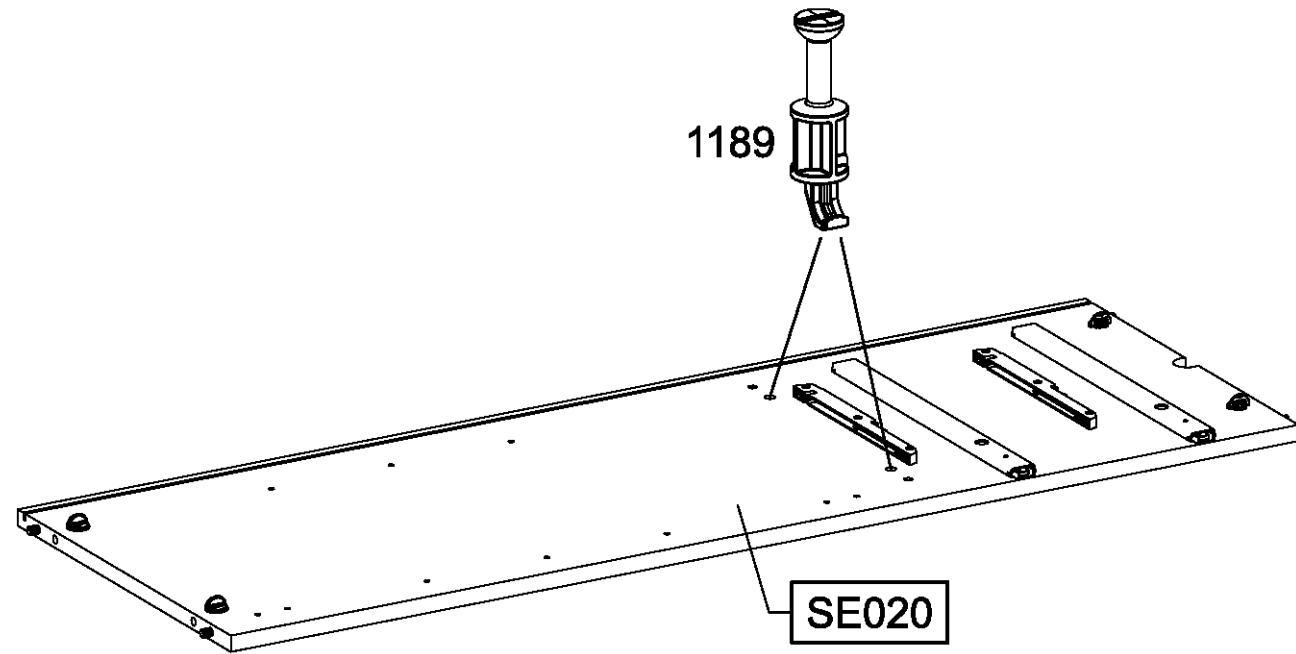
12

4x

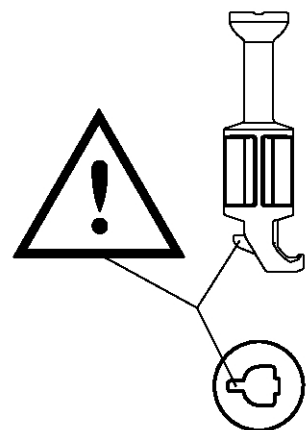
1189



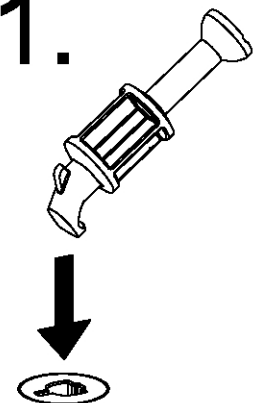
SE010



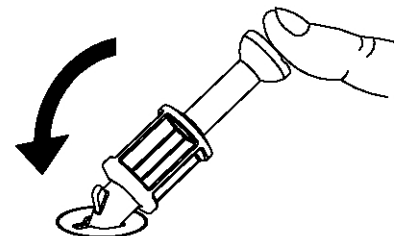
SE020



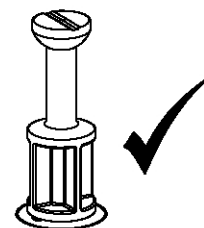
1.



2.



3.

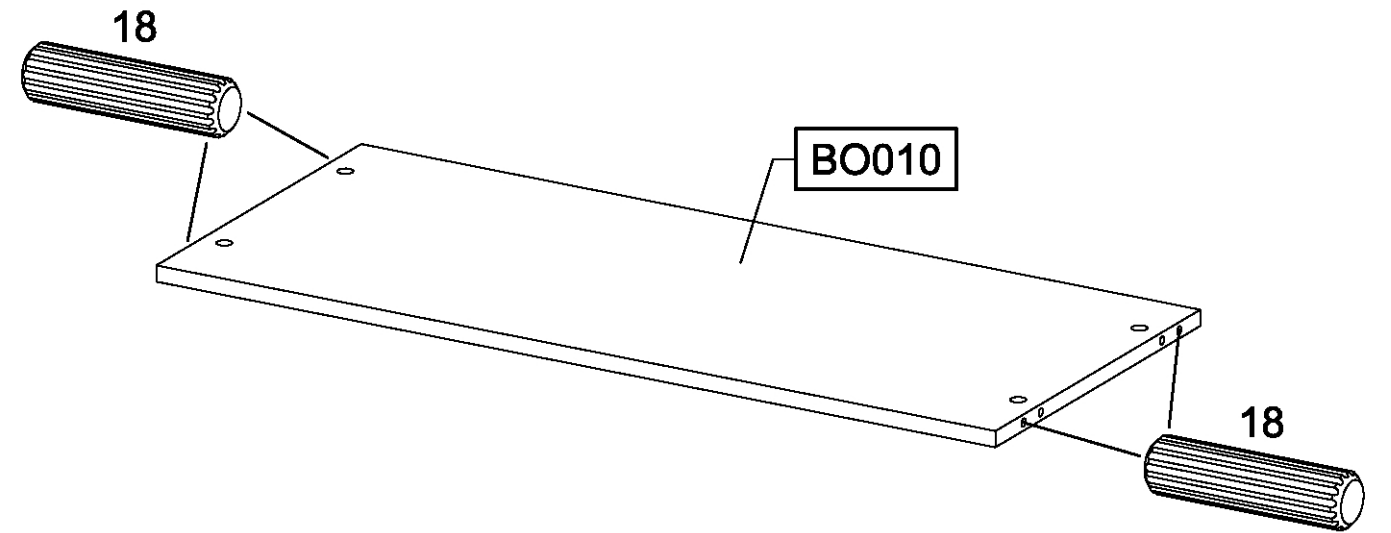
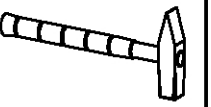


13

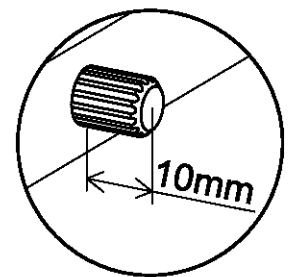
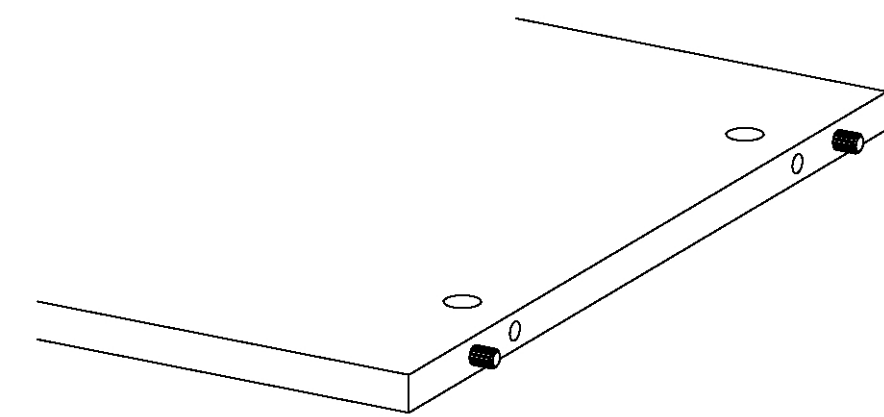
4x

18

8x30

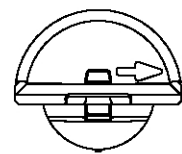
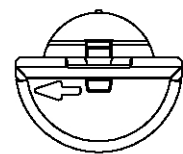
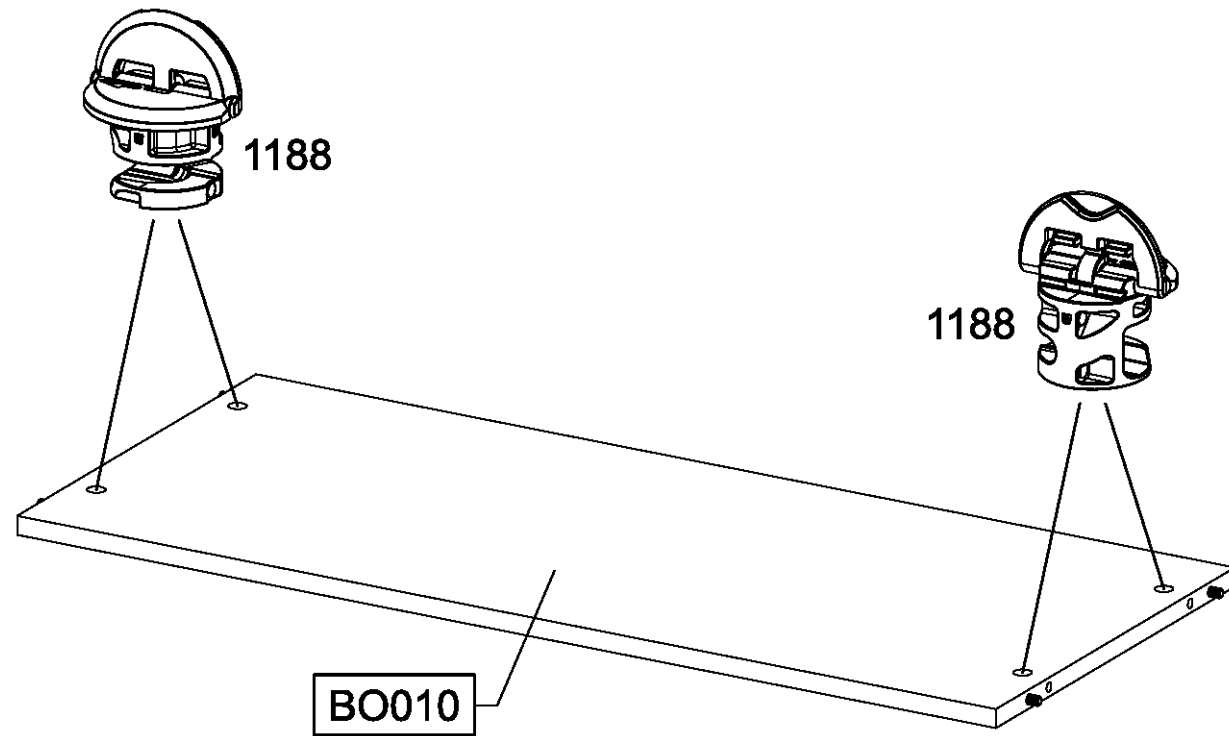
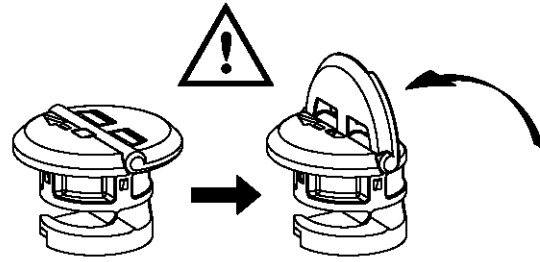


BO010

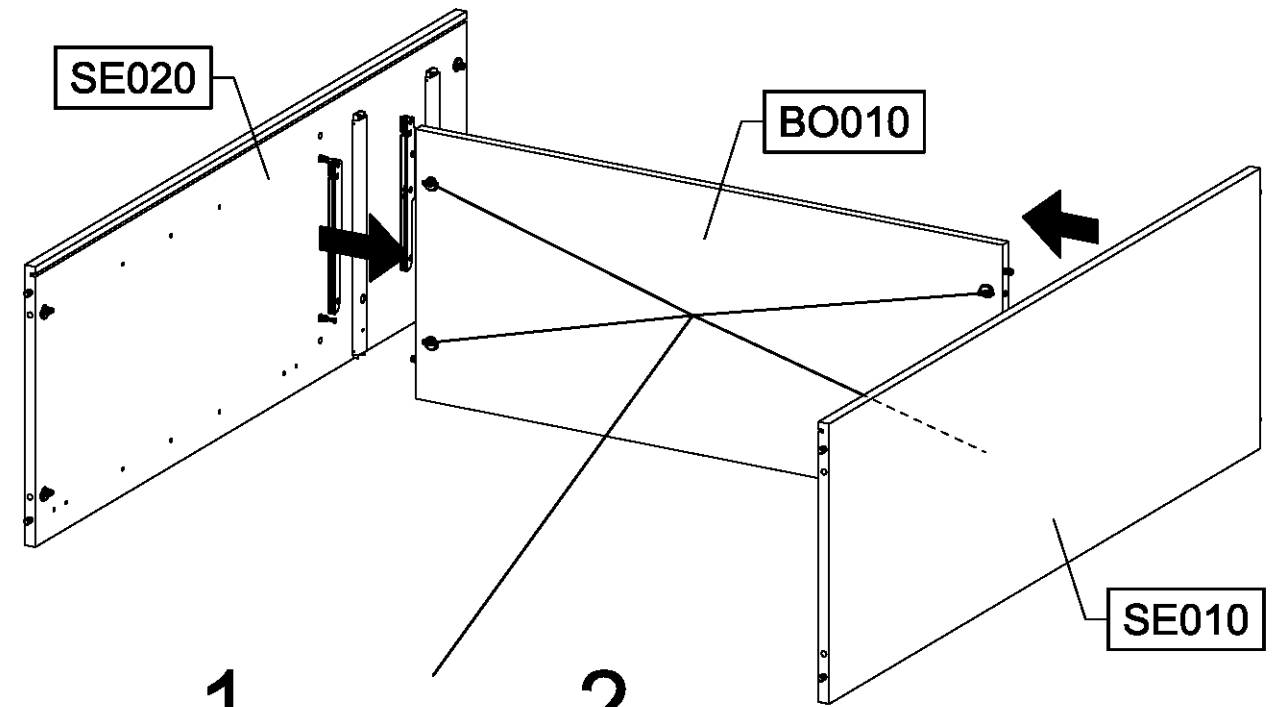


14

4x 1188

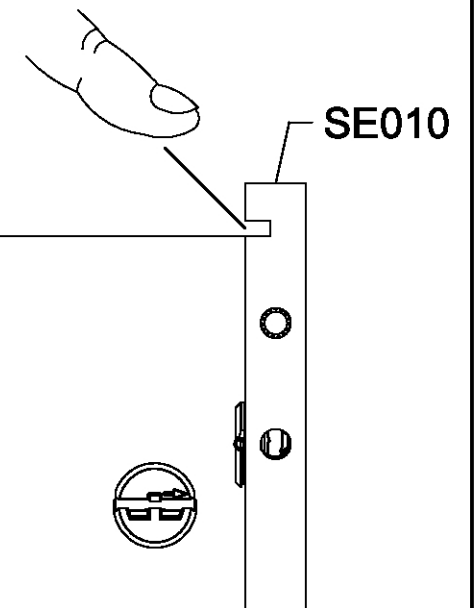
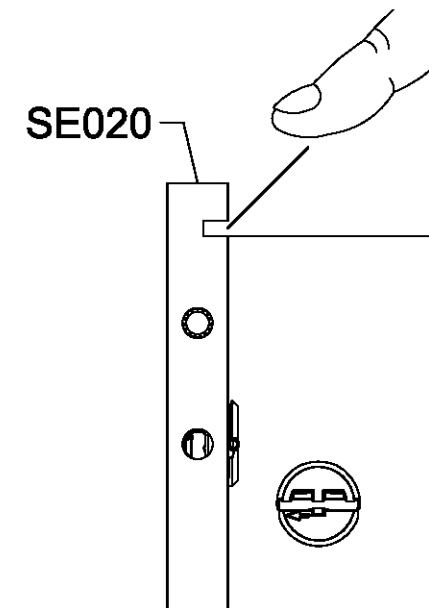
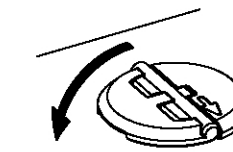
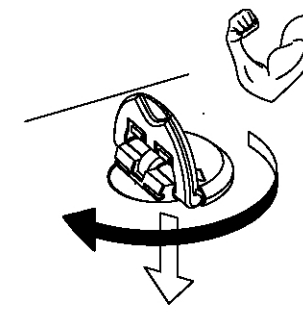


15



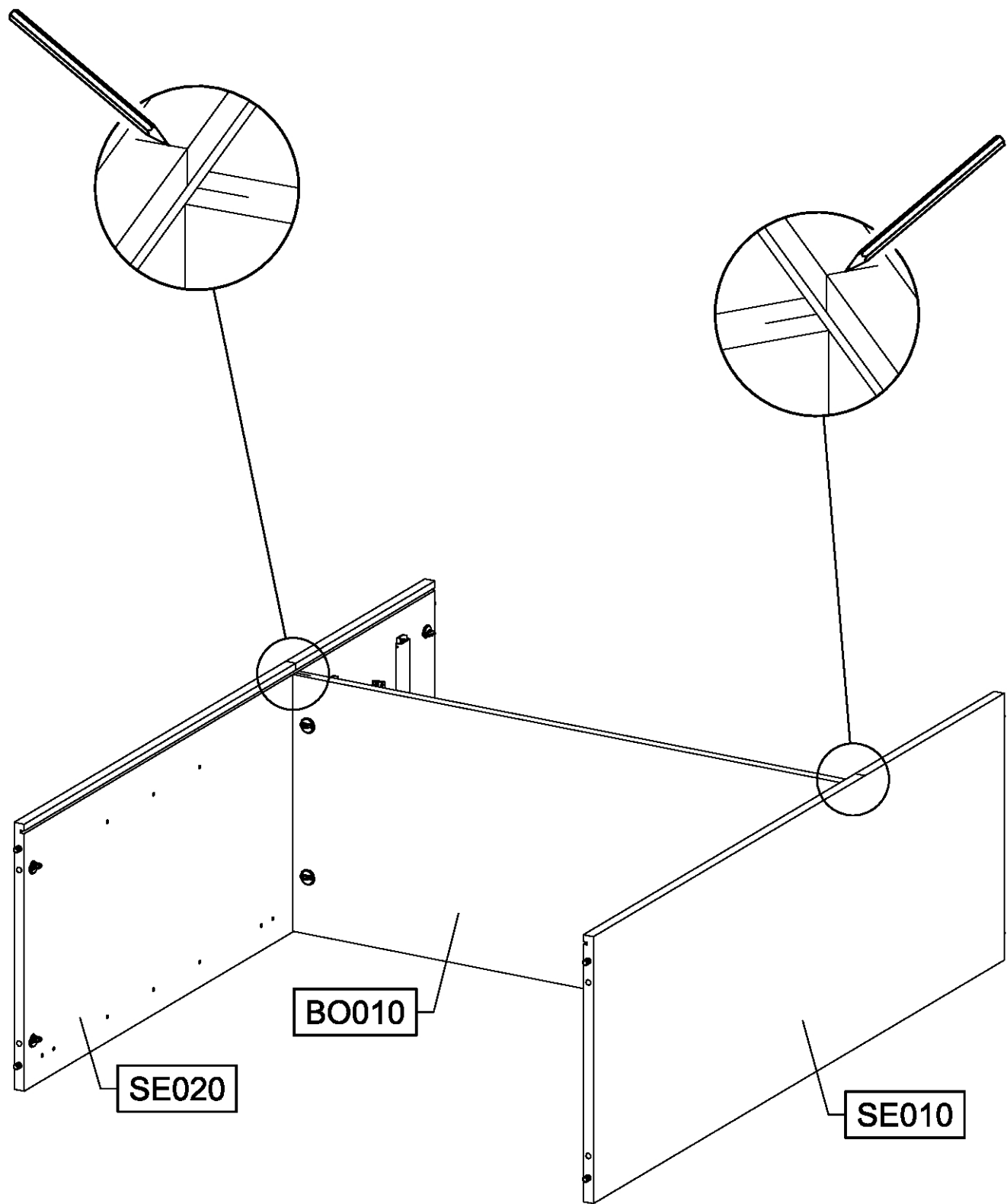
1.

2.



BO010

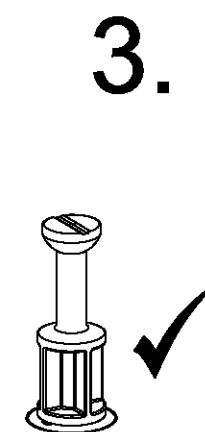
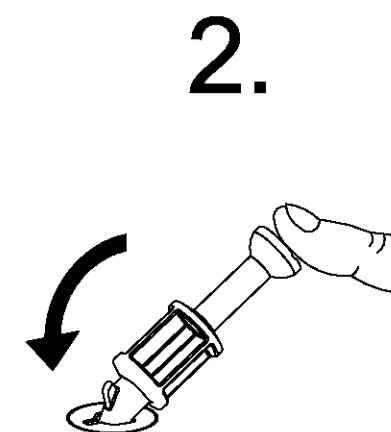
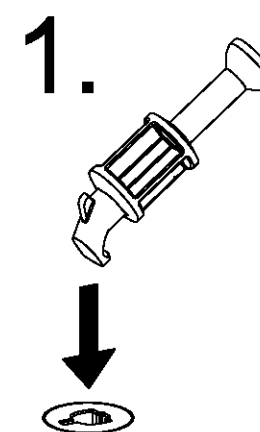
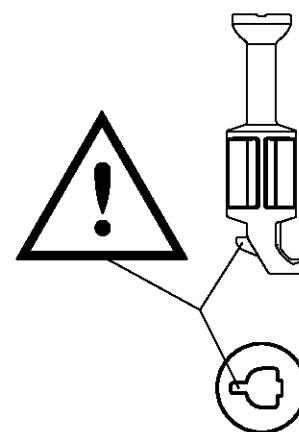
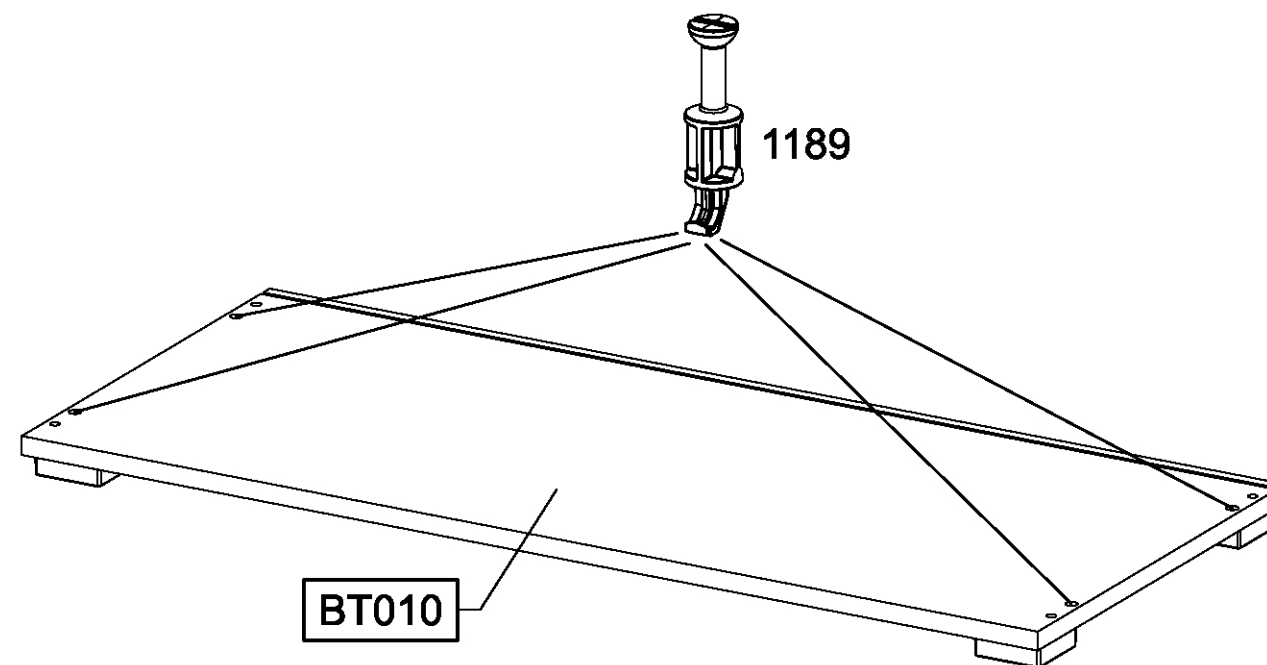
16



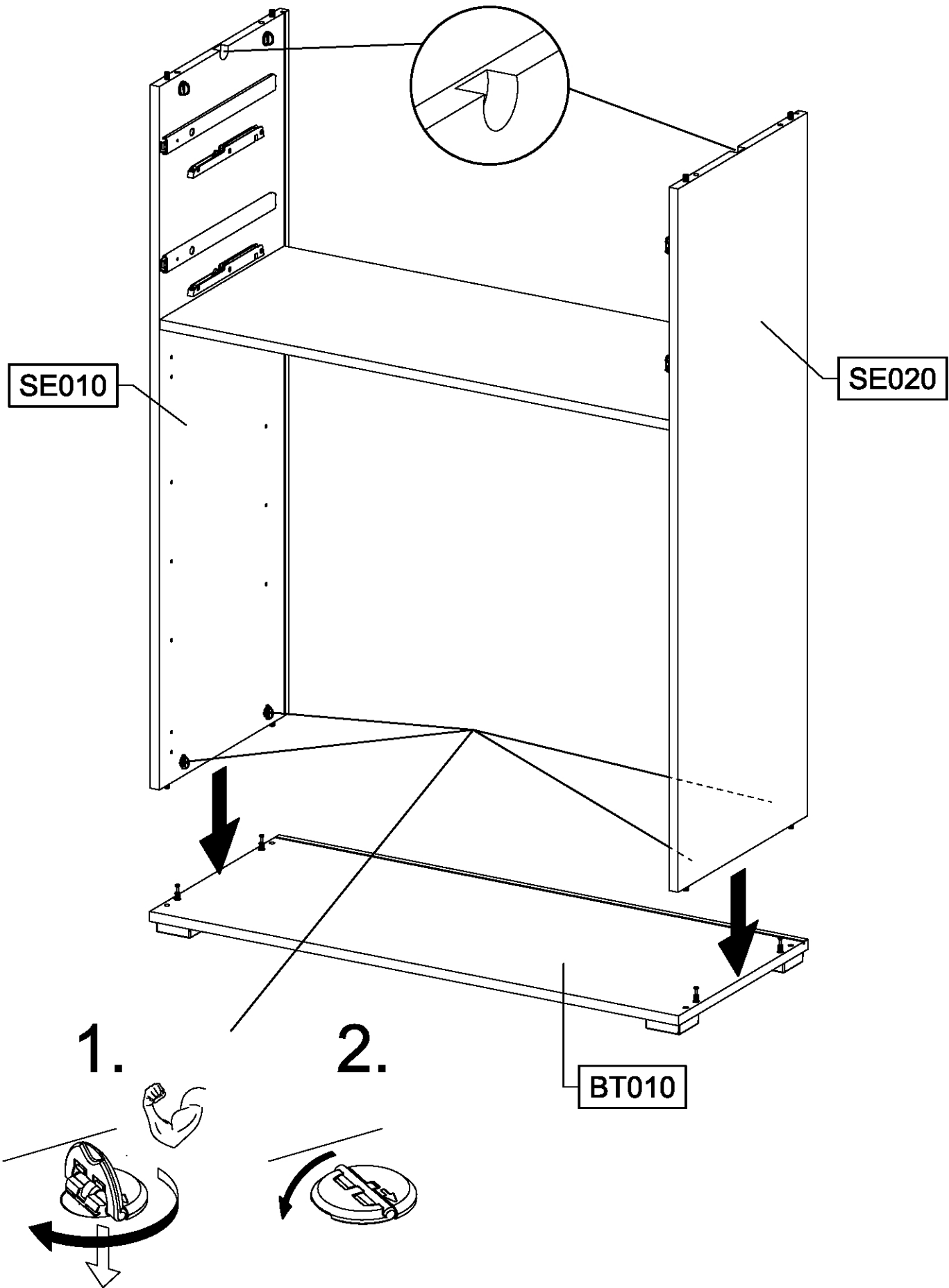
17

4x

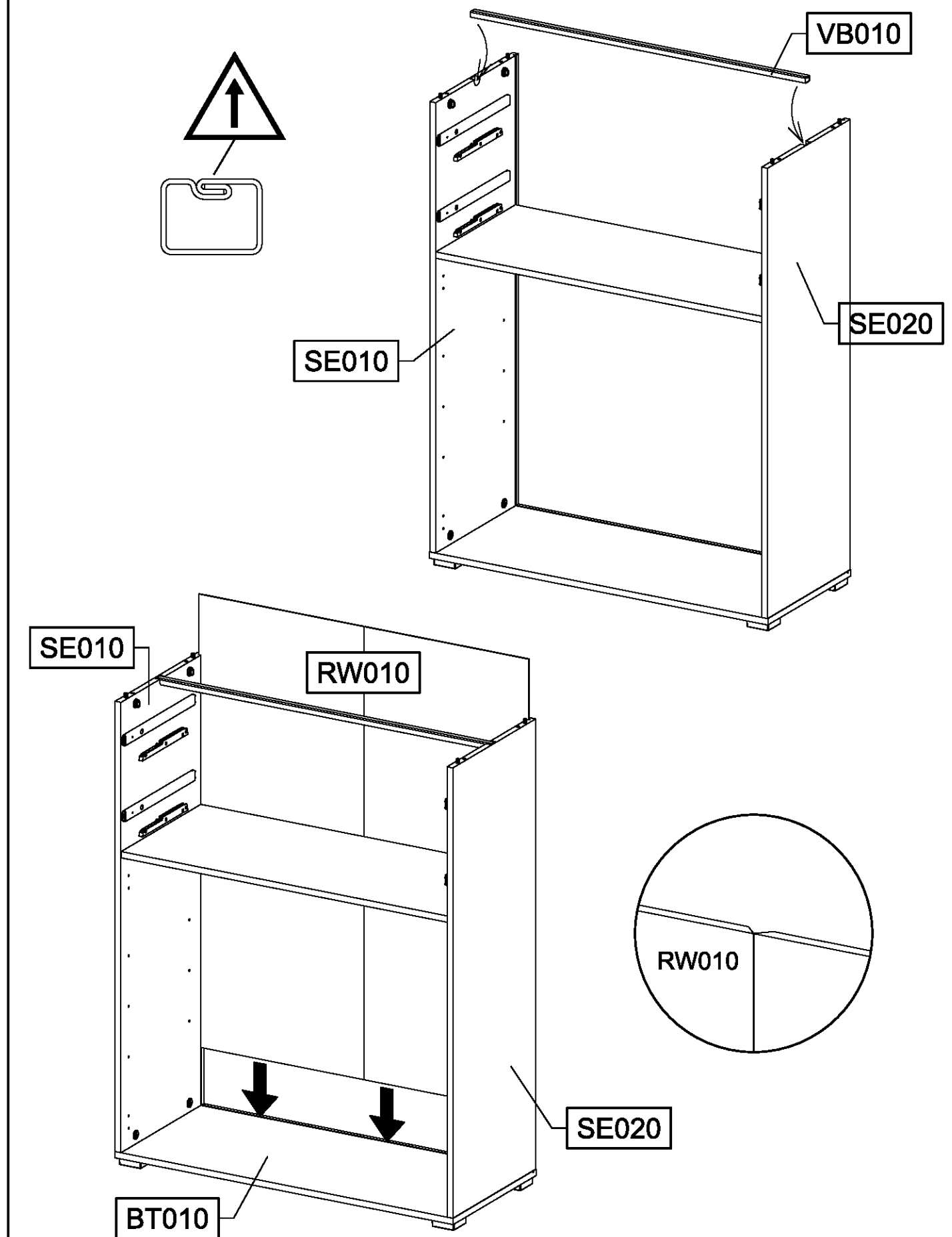
1189



18

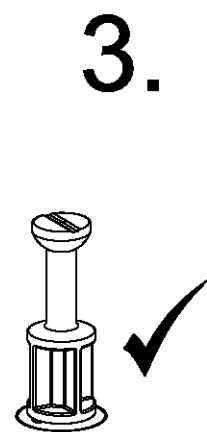
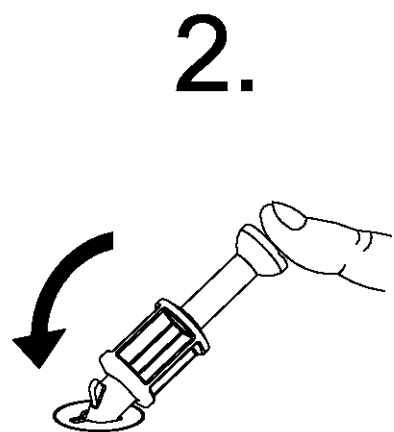
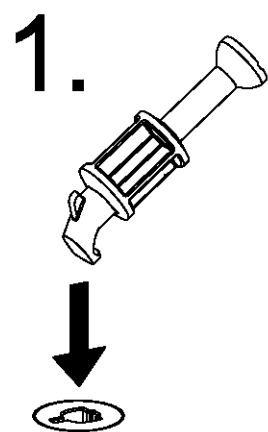
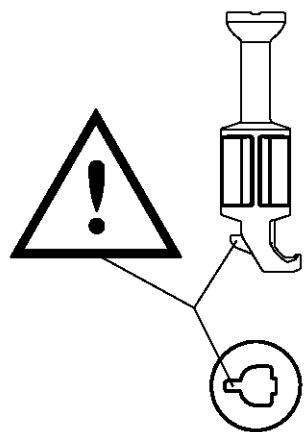
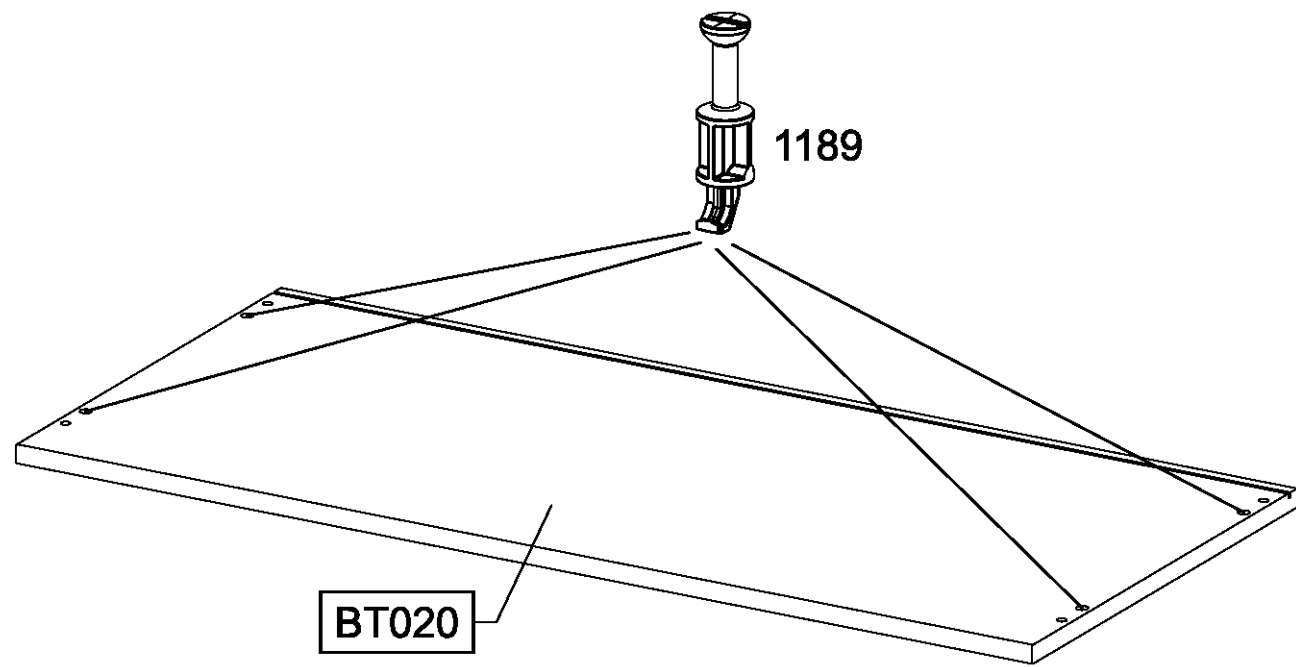


19

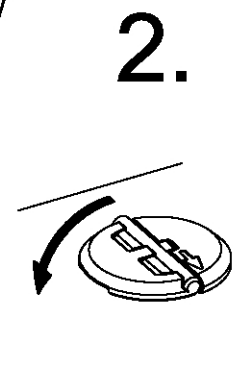
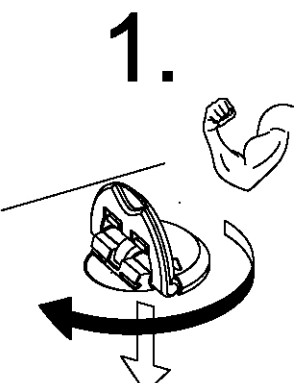
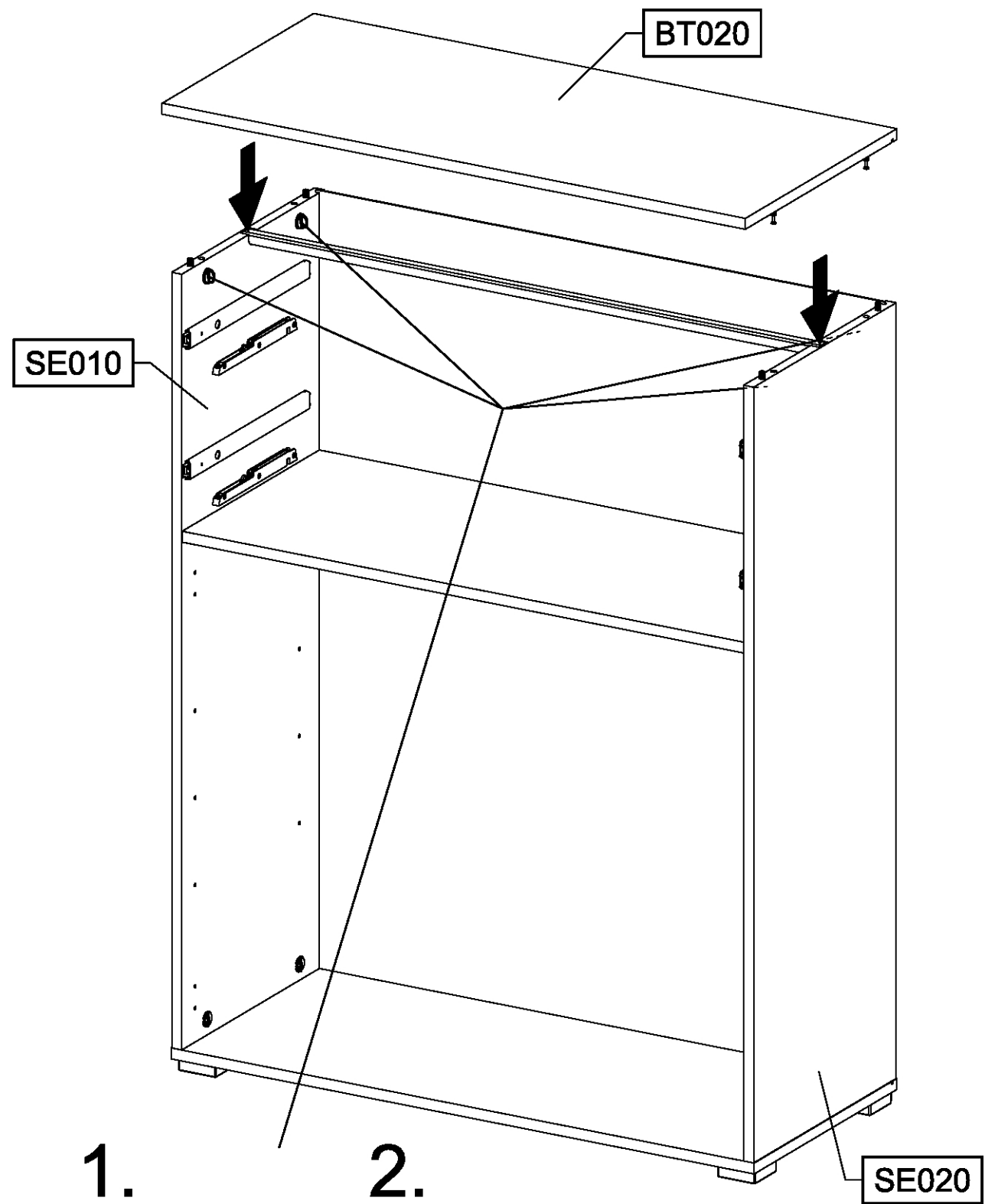


20

4x 1189



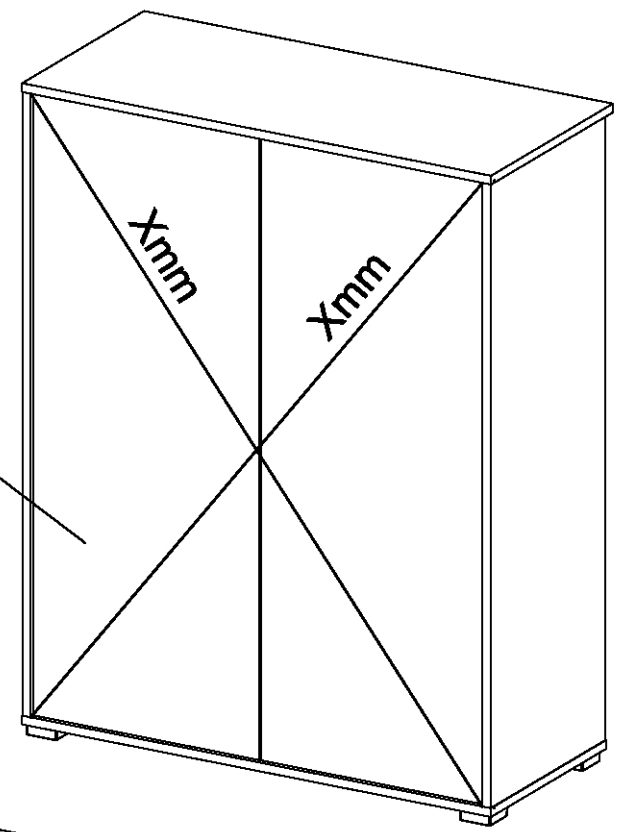
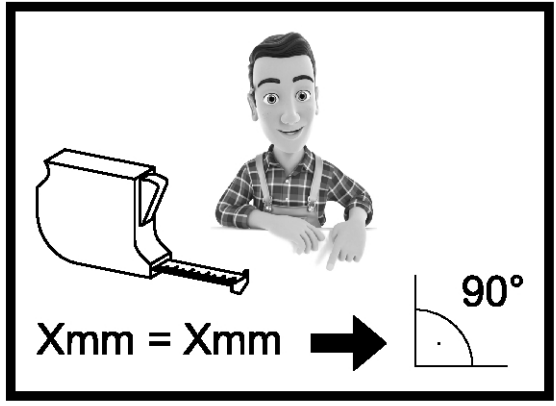
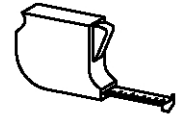
21



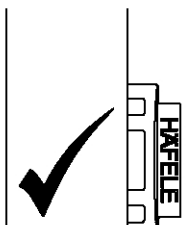
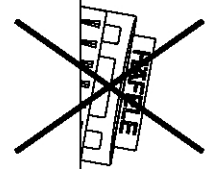
22

6x

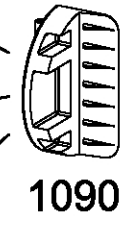
1090



RW010

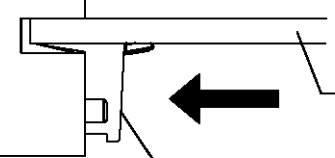


1090



1090

SE010
SE020



1090

RW010

RW010

23

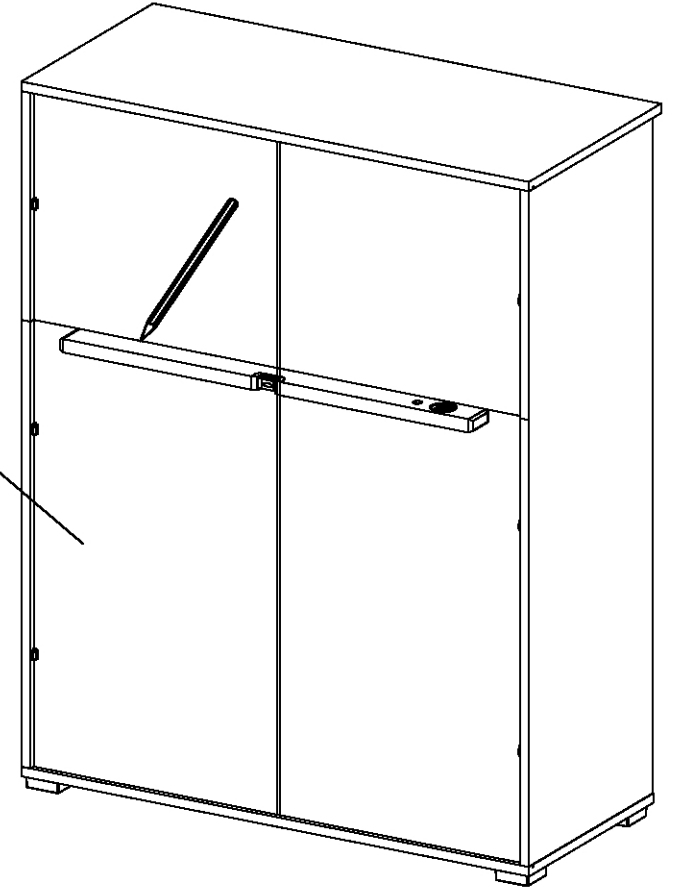
6x

215

3x20

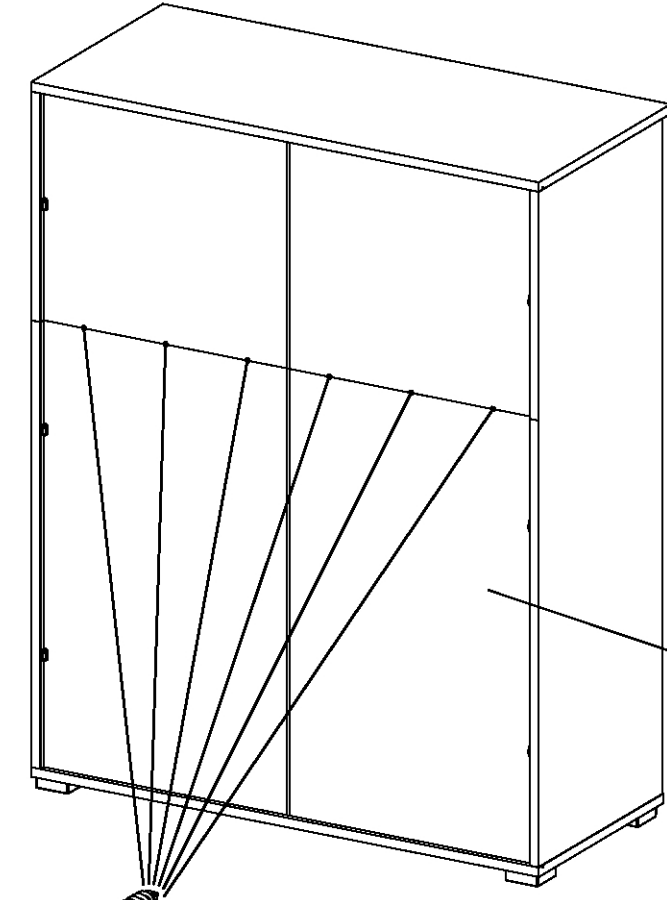


1.



RW010

2.

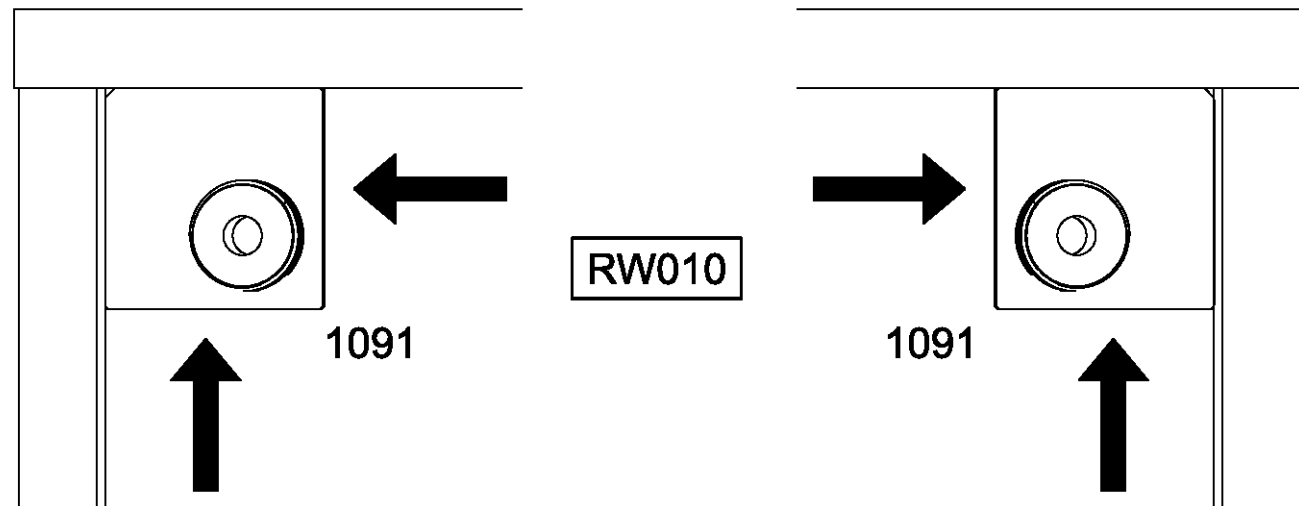
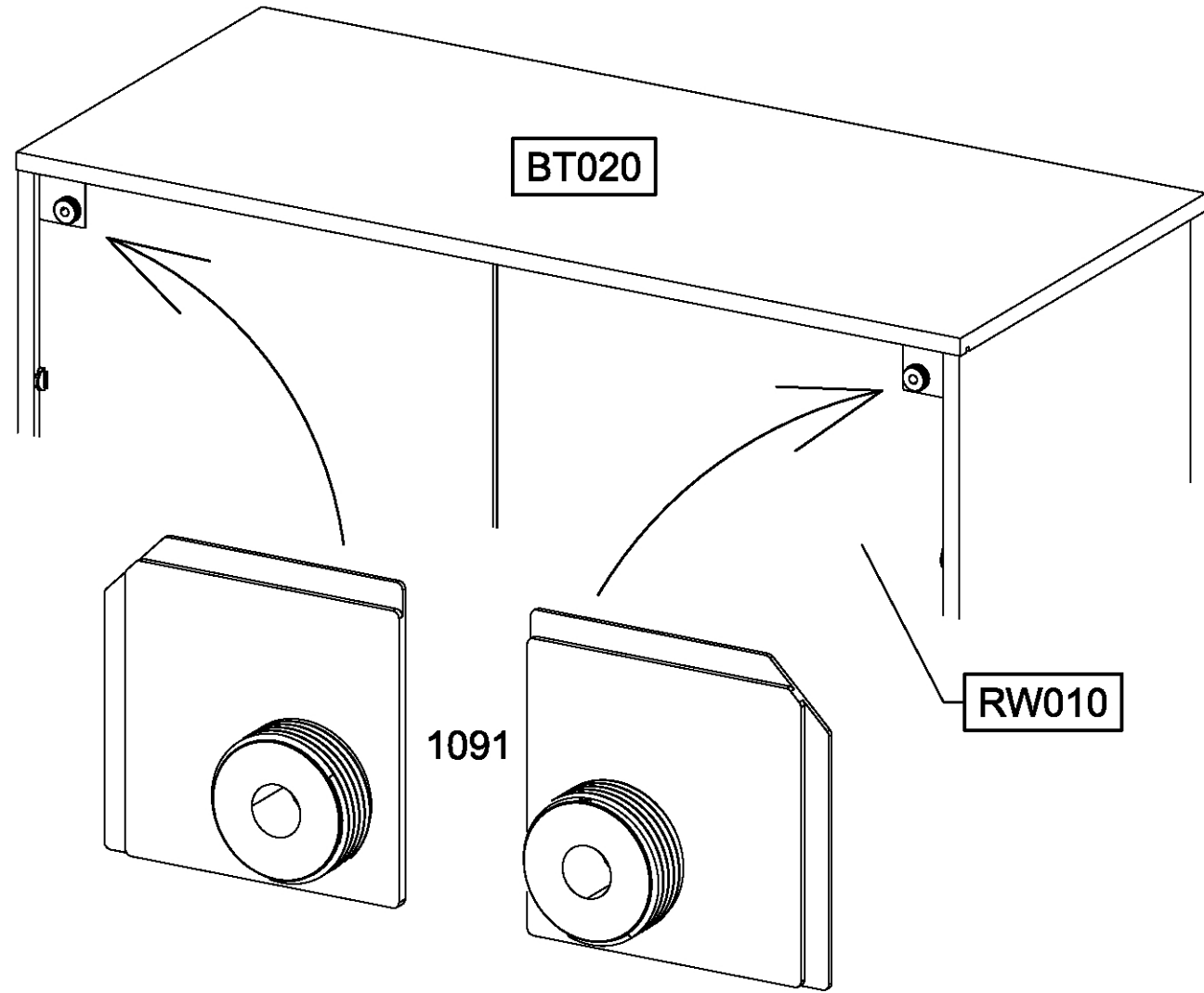
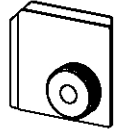


RW010

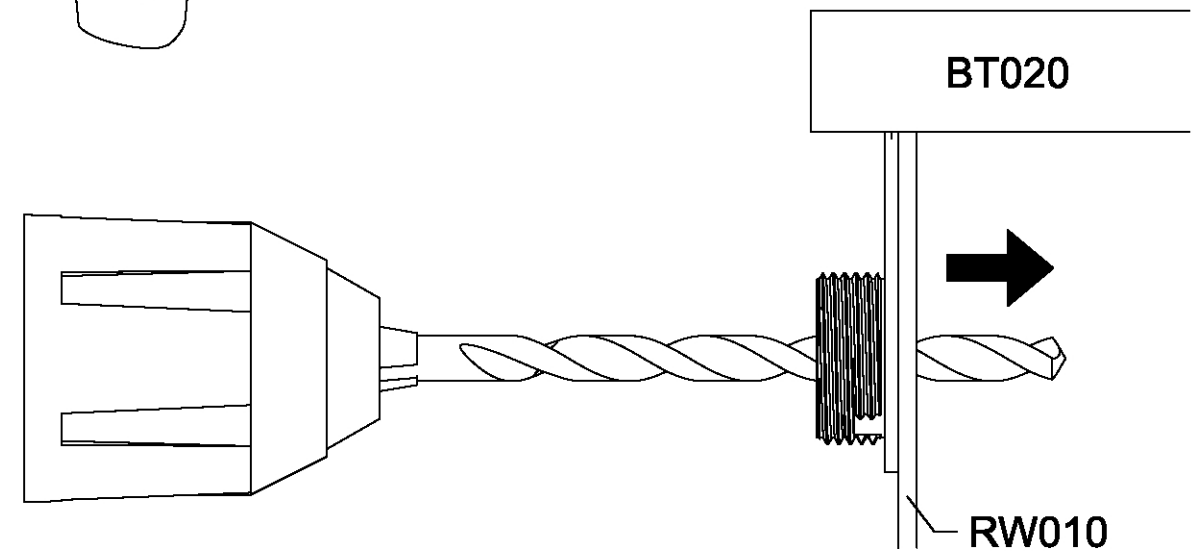
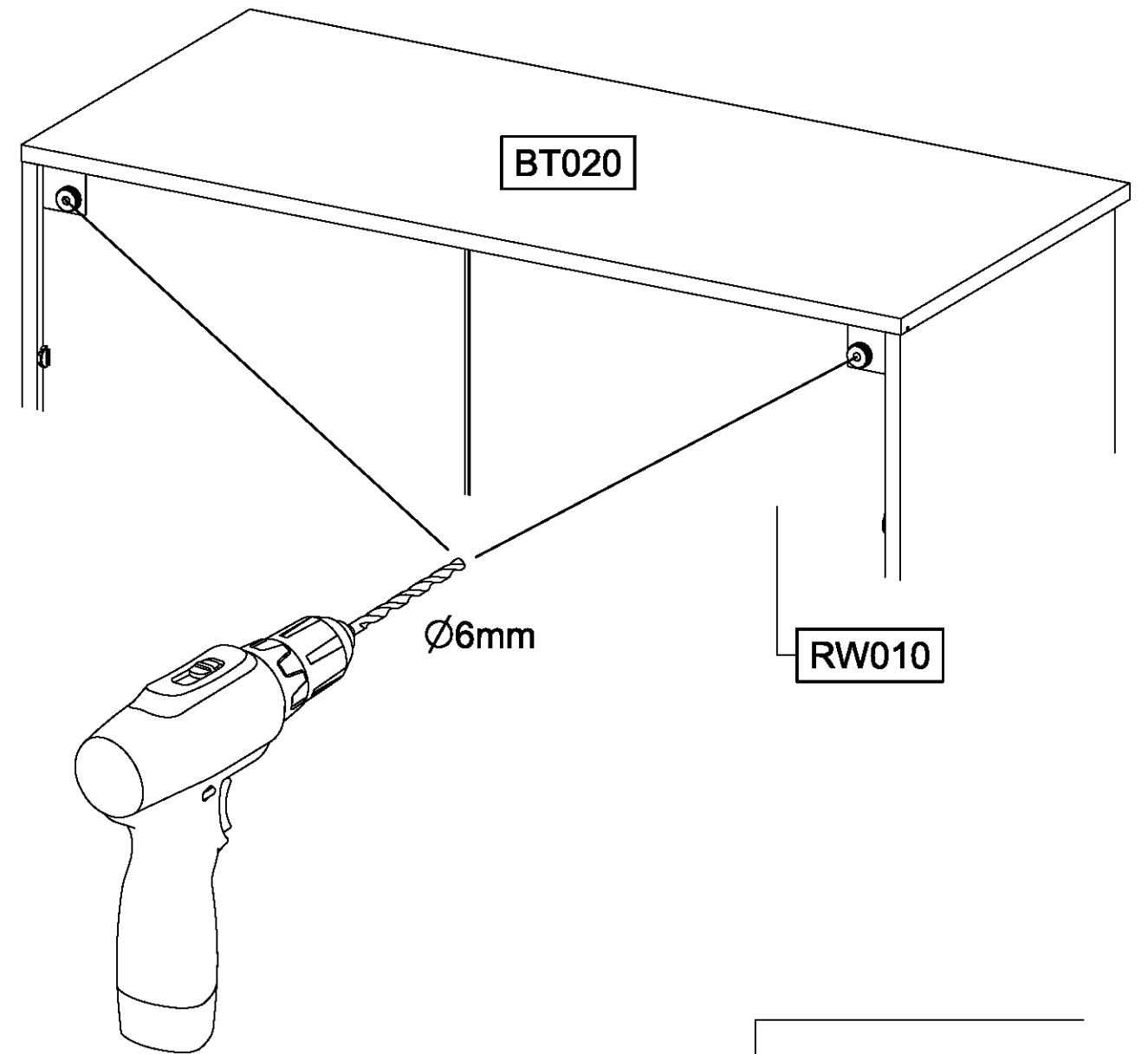
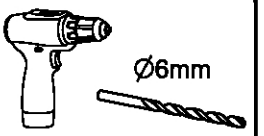
215

24

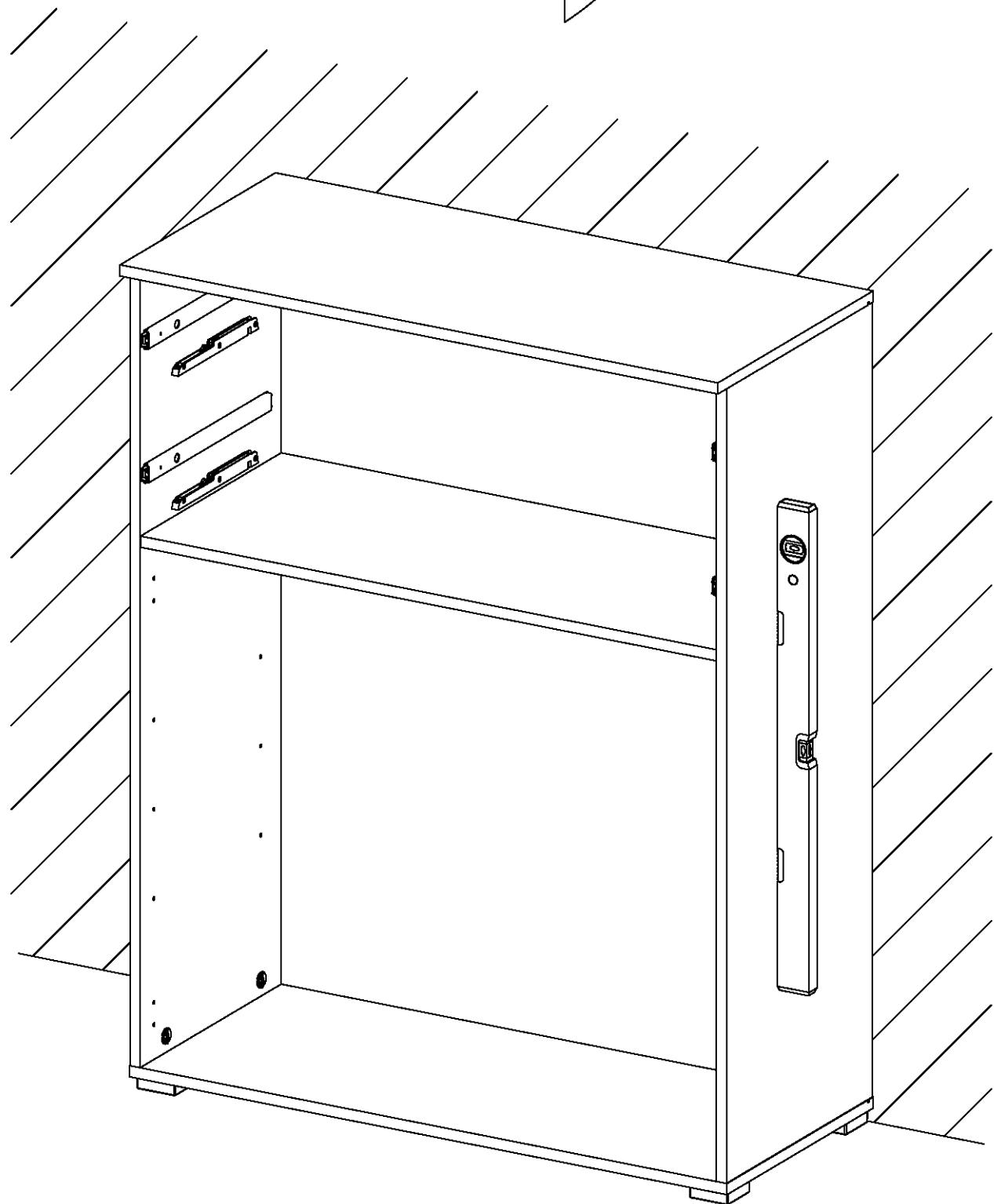
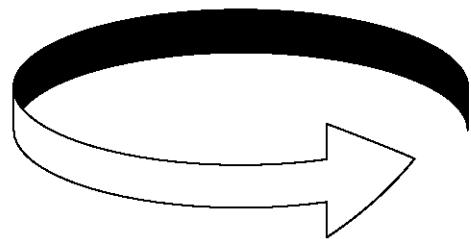
2x 1091



25



26

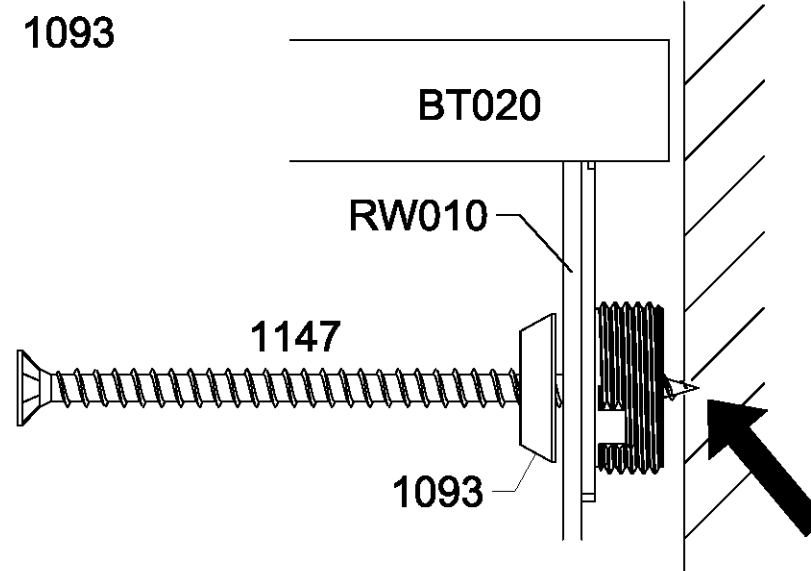
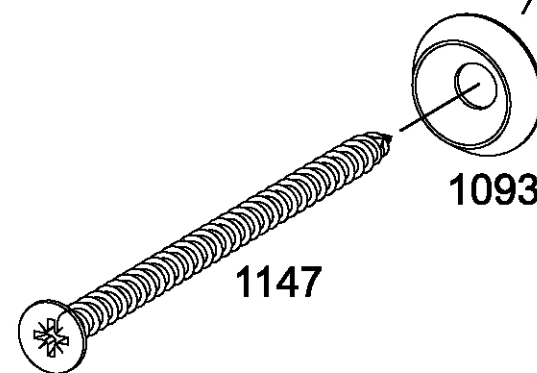
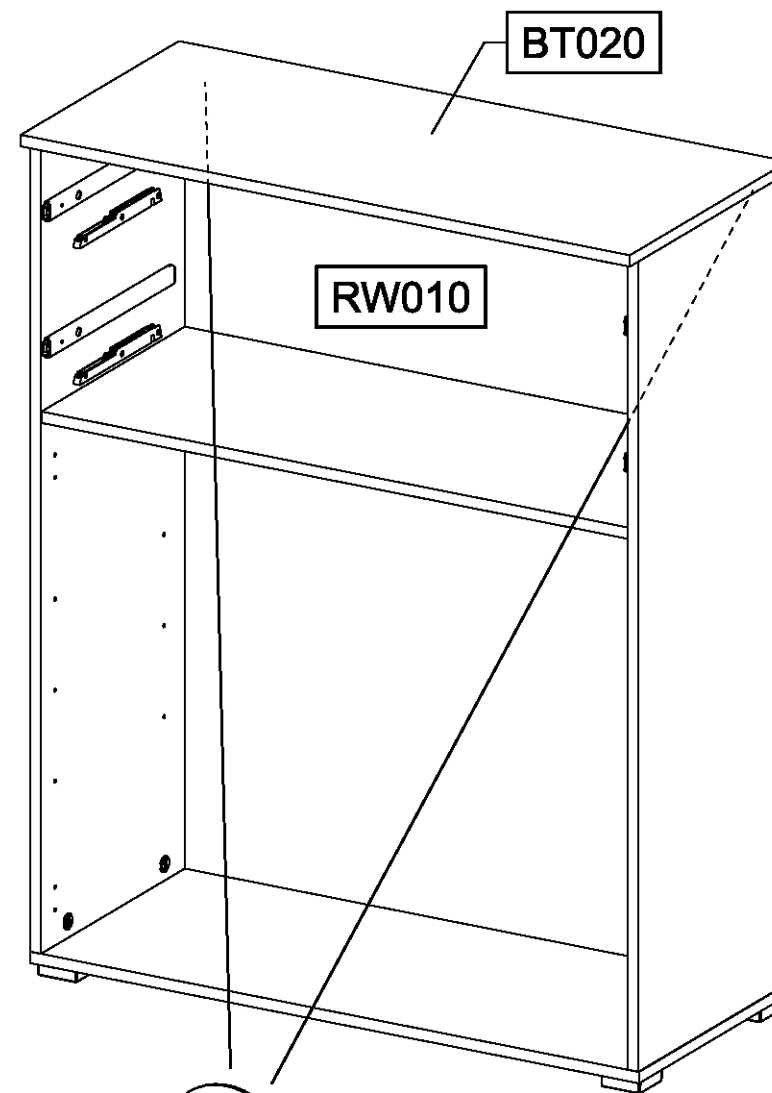
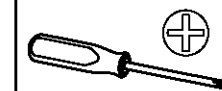
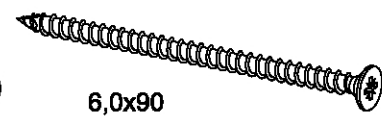


27

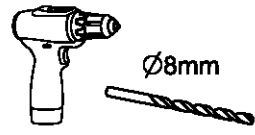
2x 1093



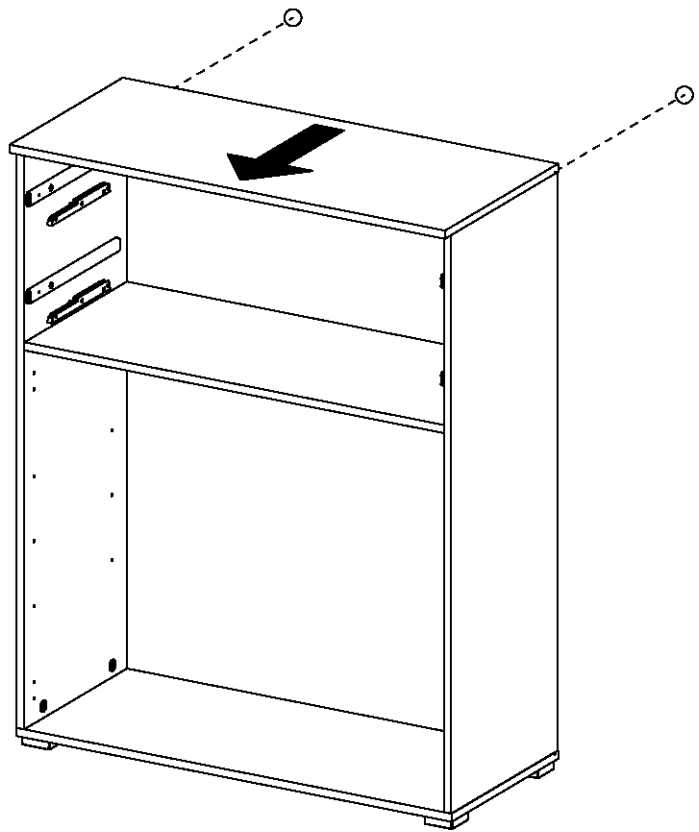
2x 1147



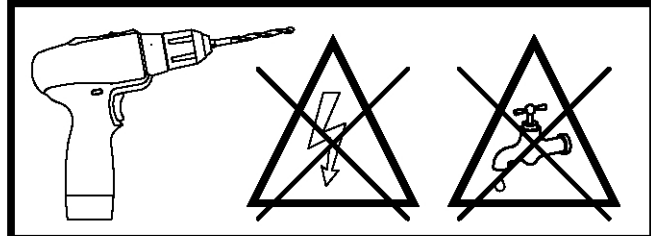
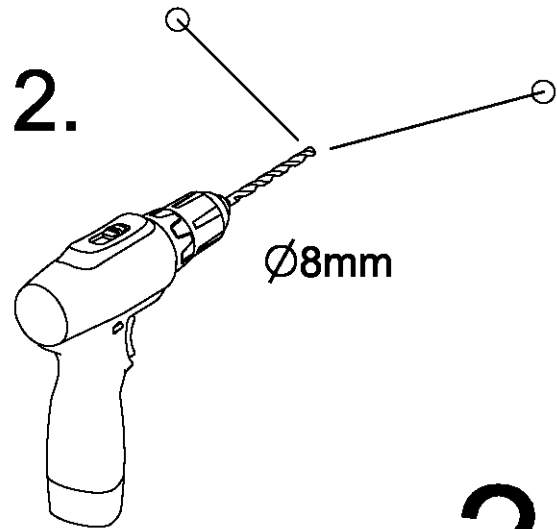
28



1.

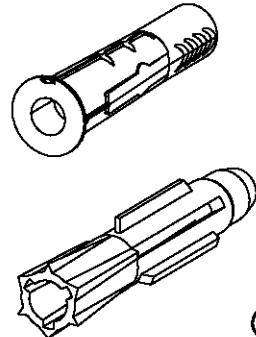
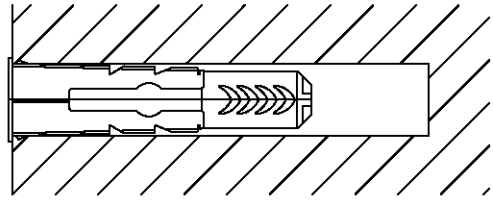


2.



?

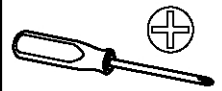
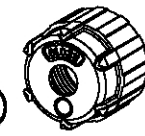
3.



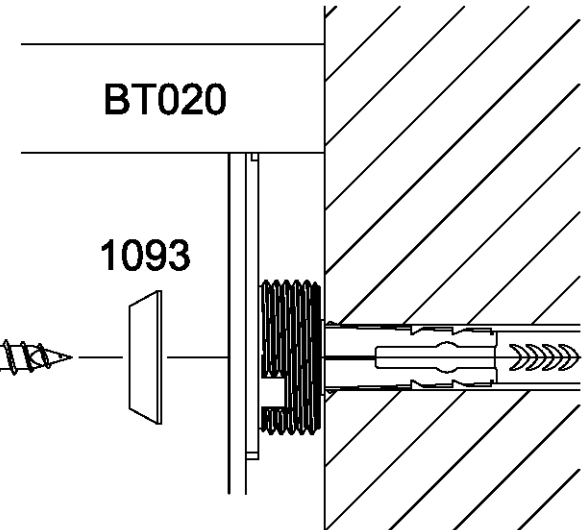
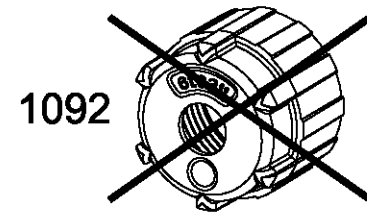
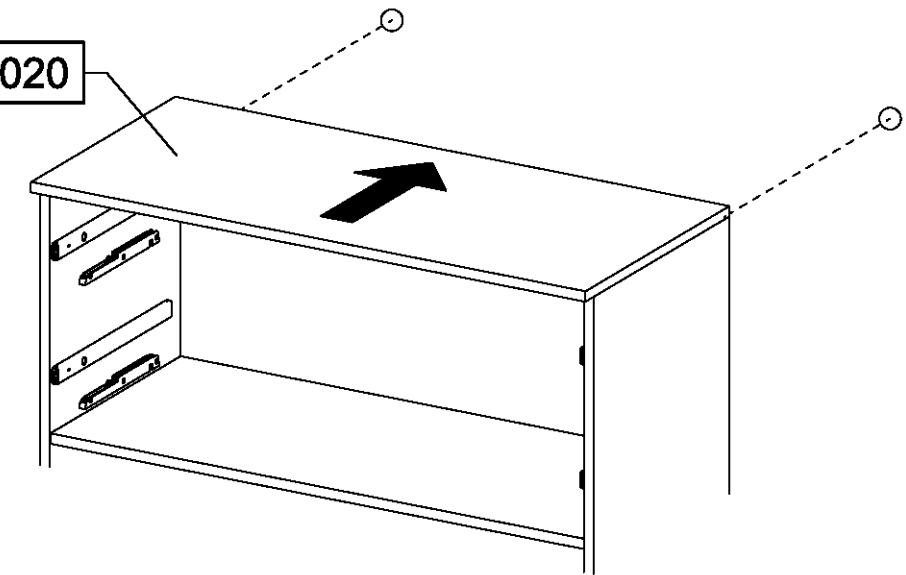
Ø8mm

29

2x 1092



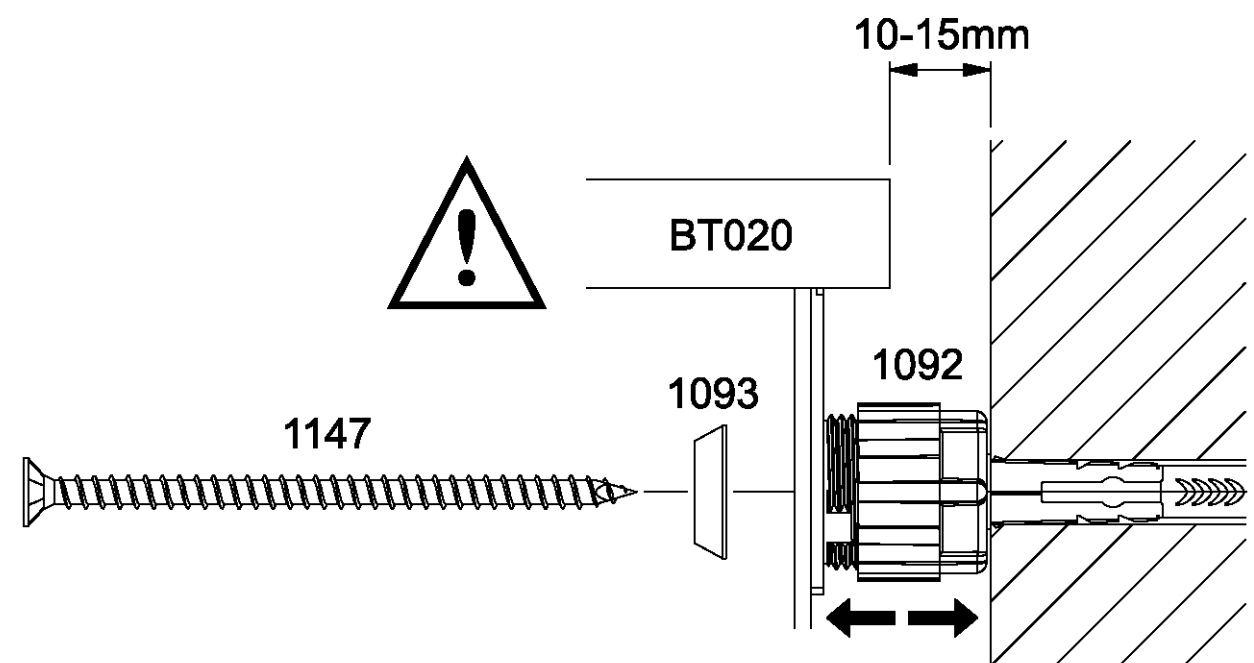
BT020



1147

1093

BT020



1147

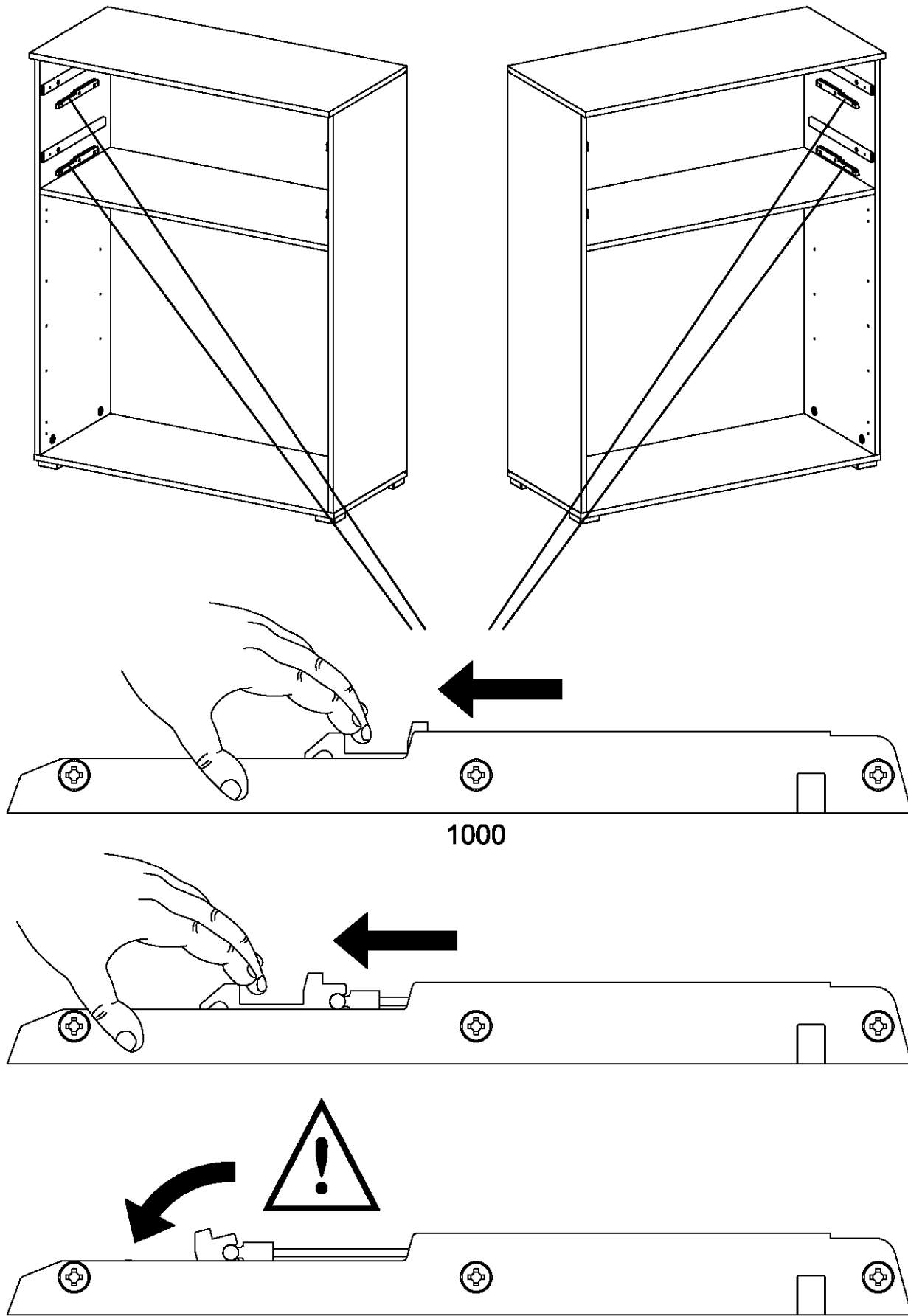
1093

BT020

1092

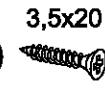
10-15mm

30

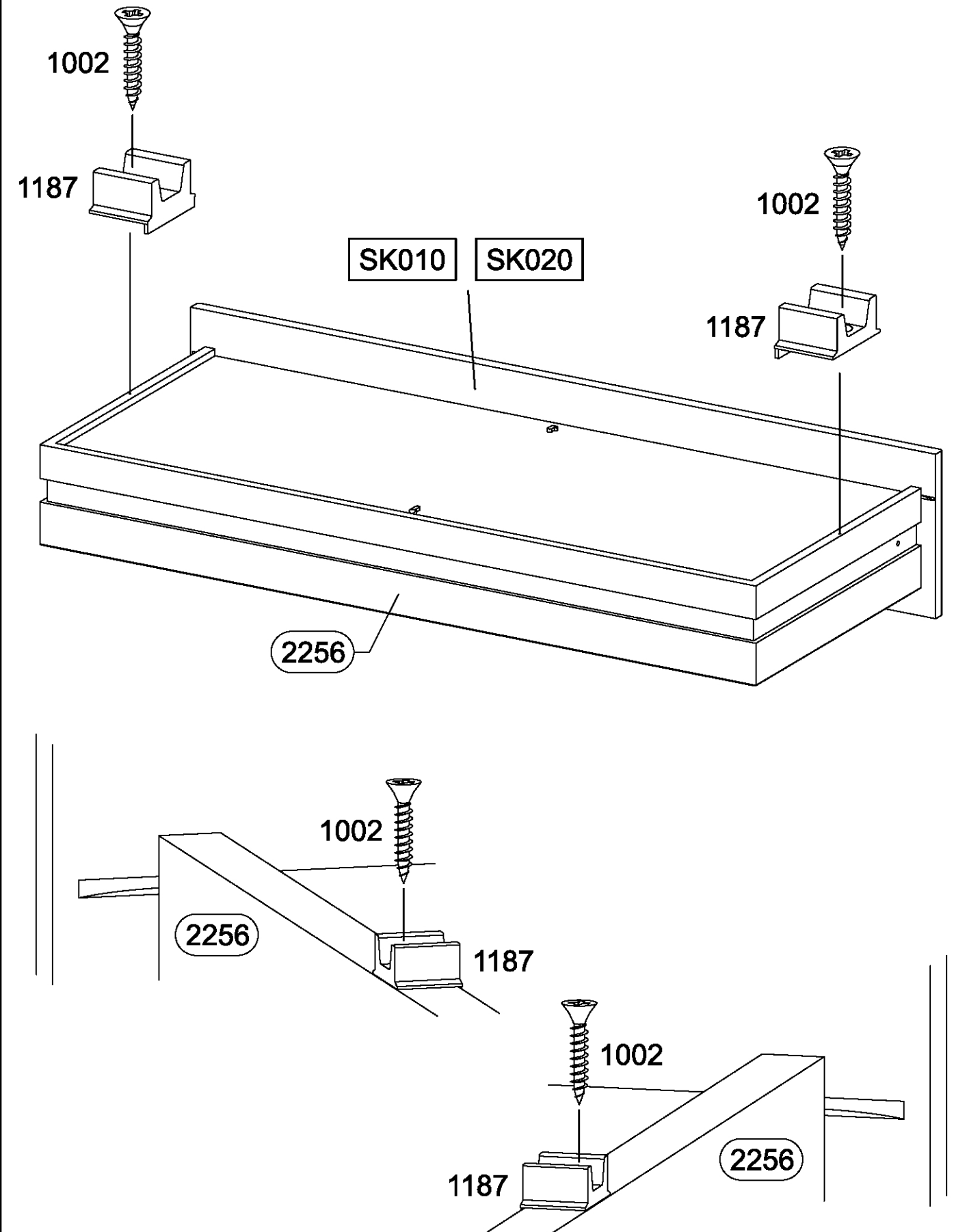
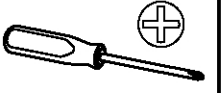


31

4x 1002



4x 1187

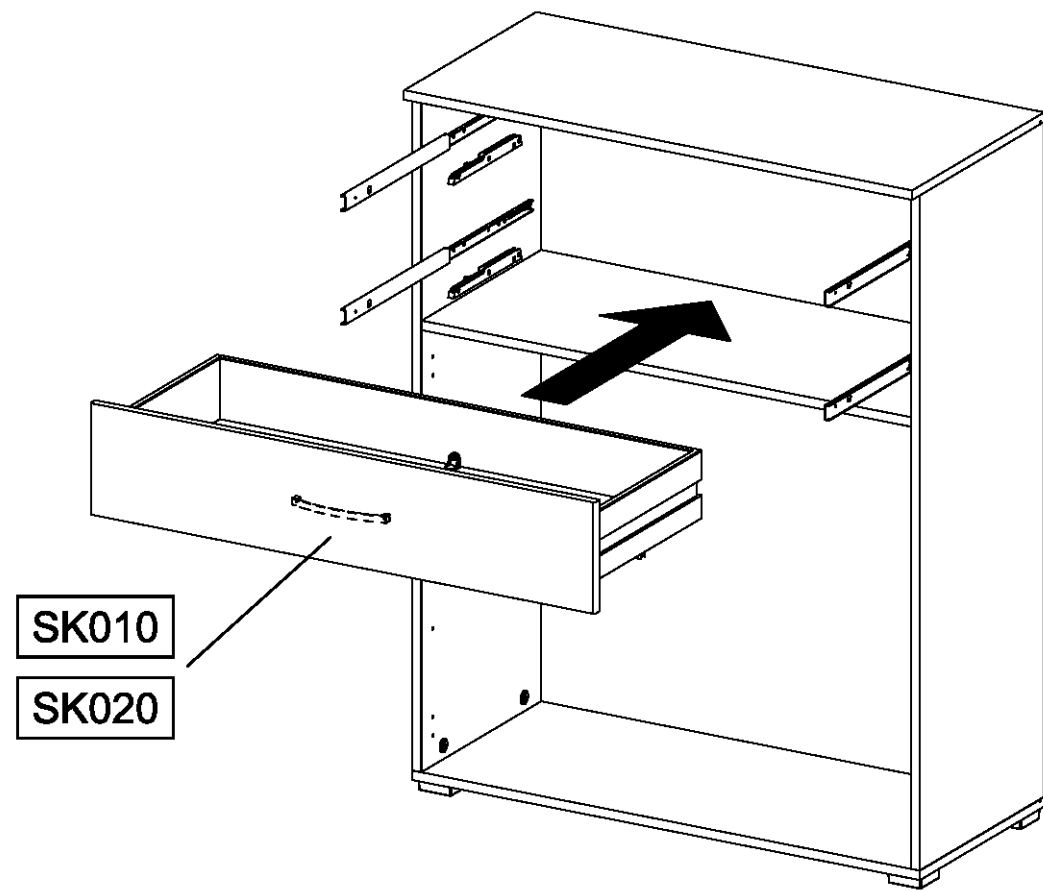
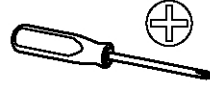


32

4x

568

M4x9



SK010

SK020

SK010

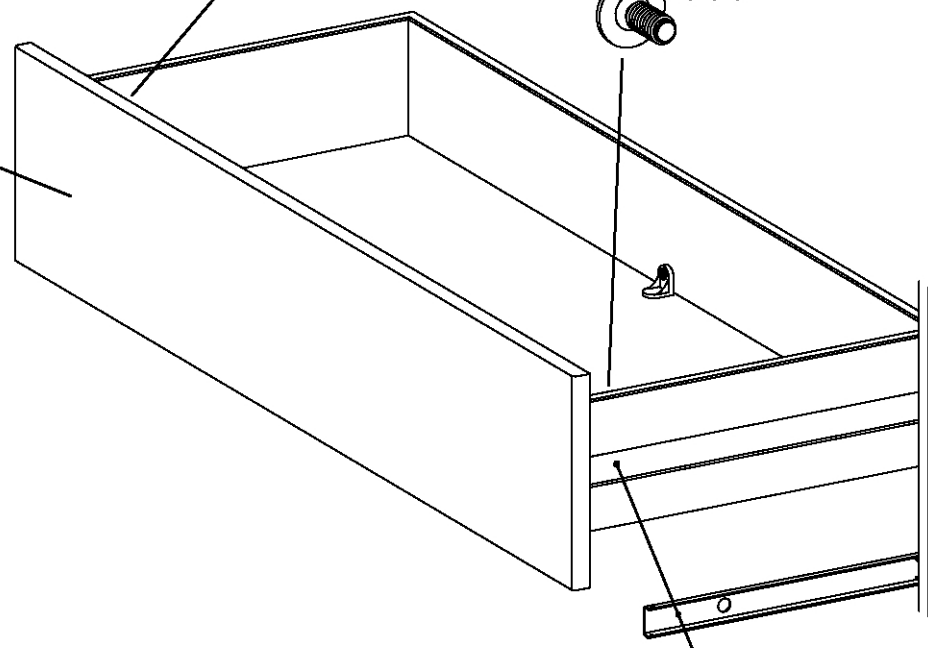
SK020



568



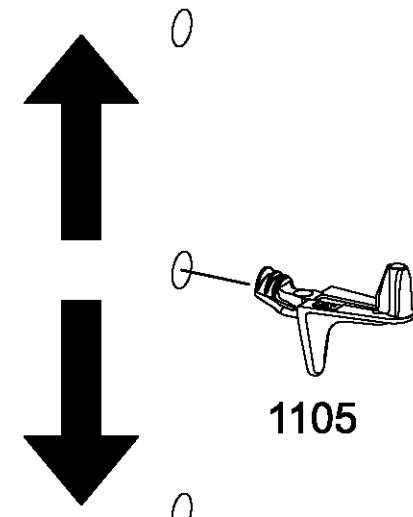
568



33

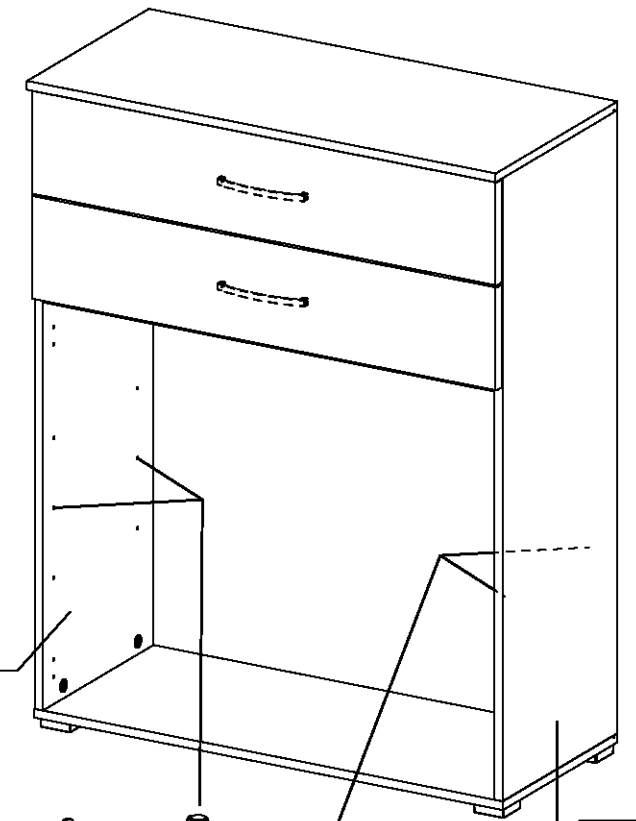
4x

1105



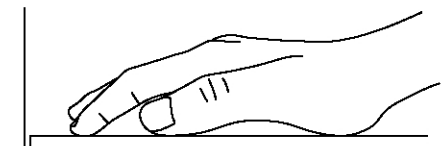
1105

SE010



SE020

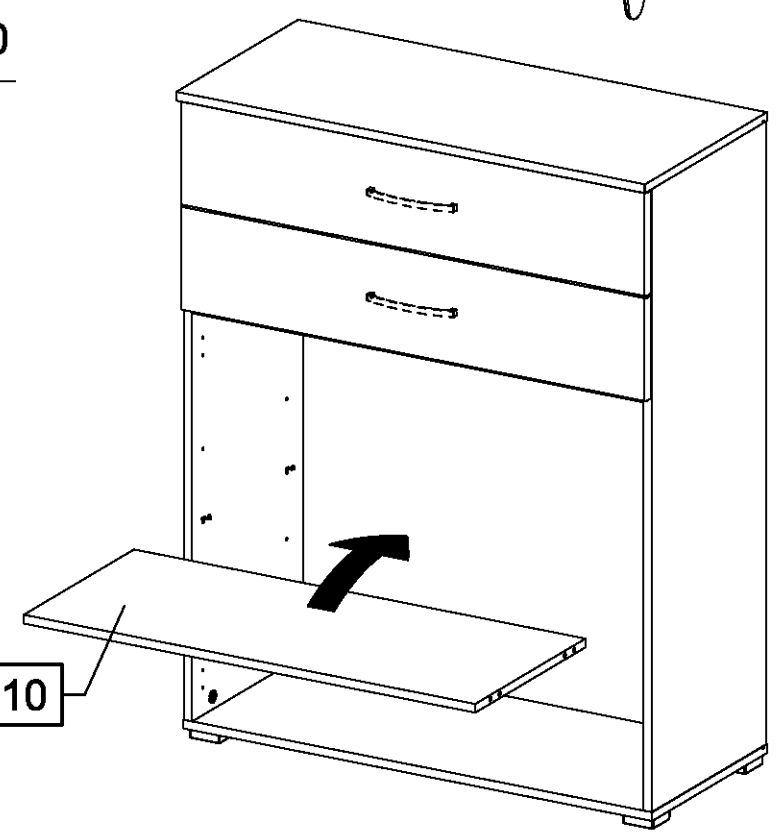
1105



WA010

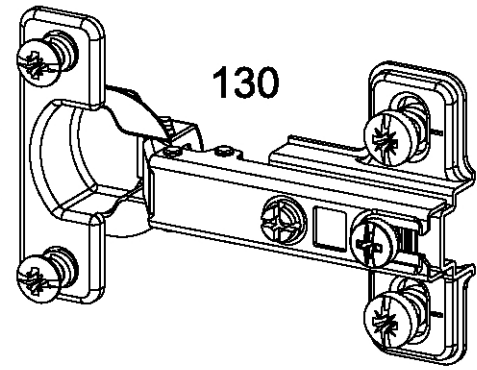
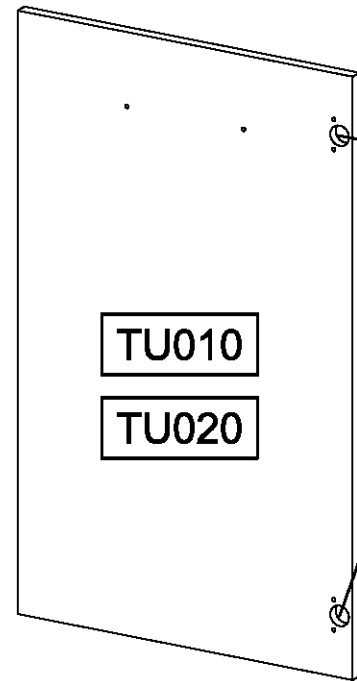
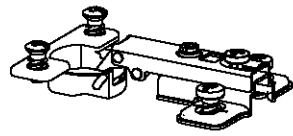
1105

WA010

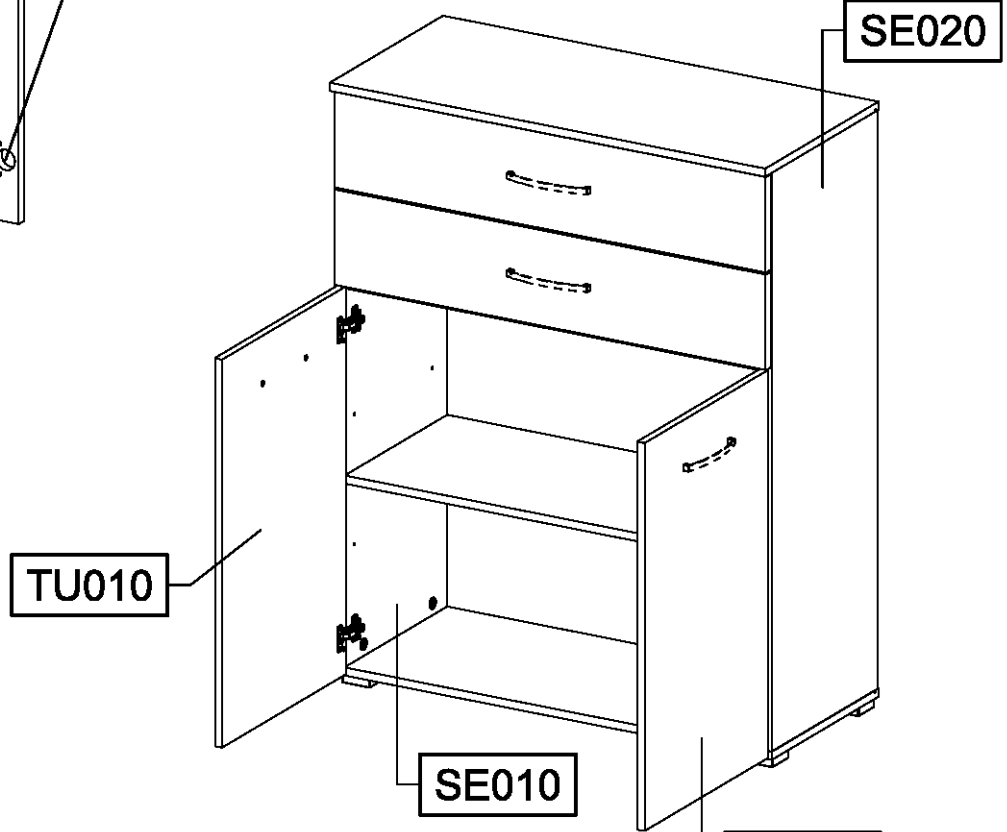


34

4x 130



130



TU010

SE010

TU020

TU020

SE020

35

