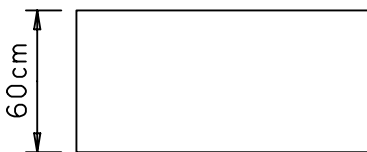
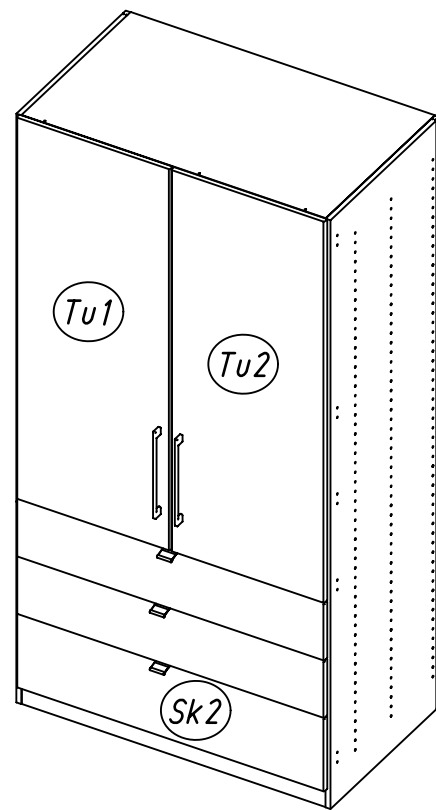
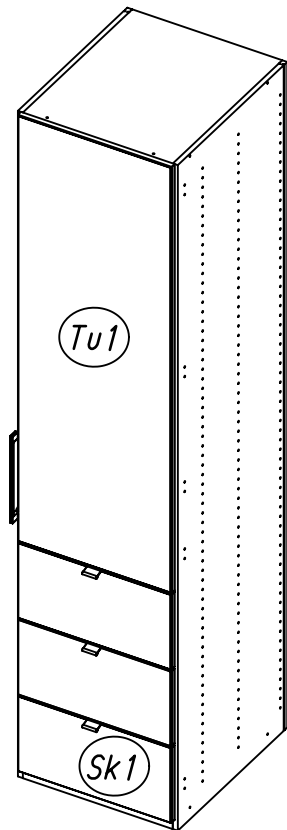
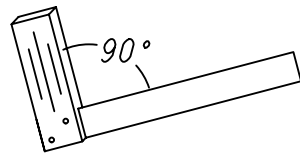
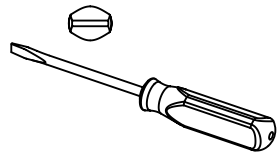
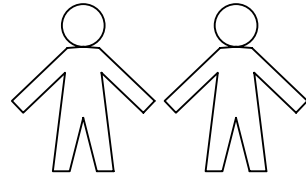
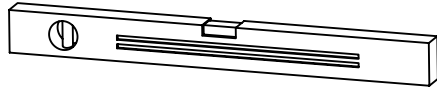
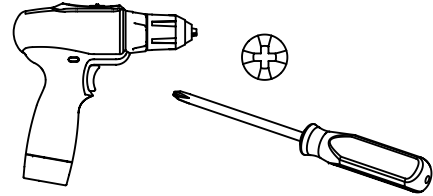


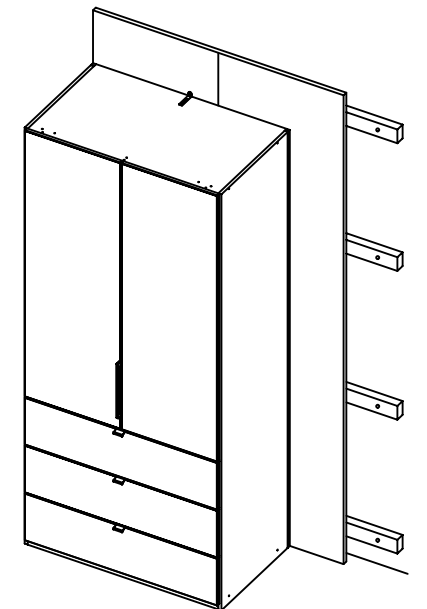
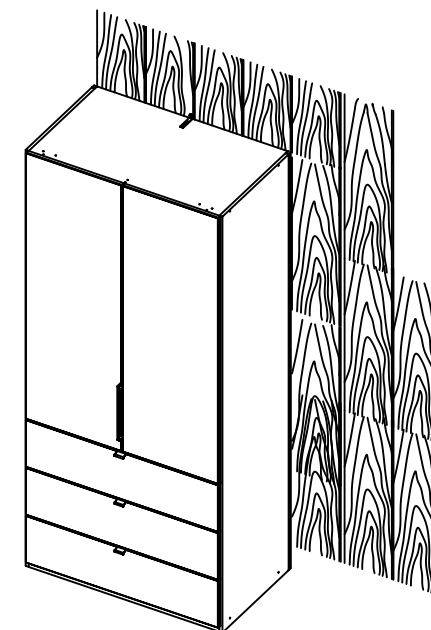
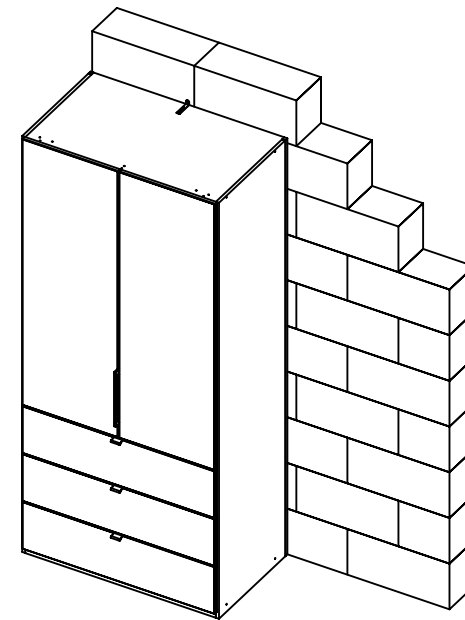
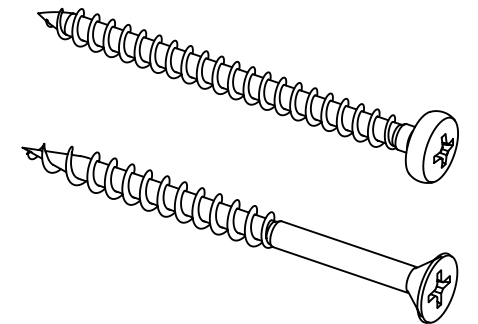
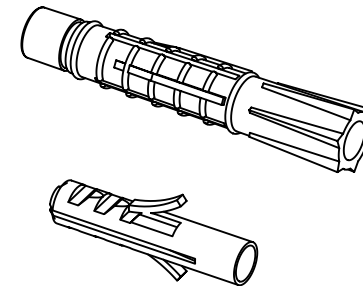
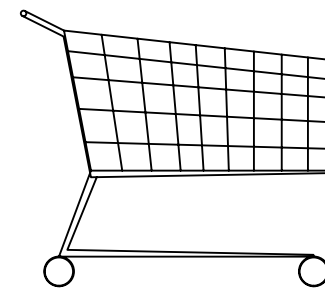
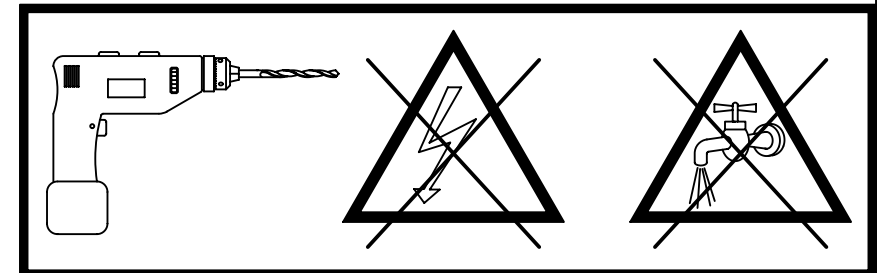
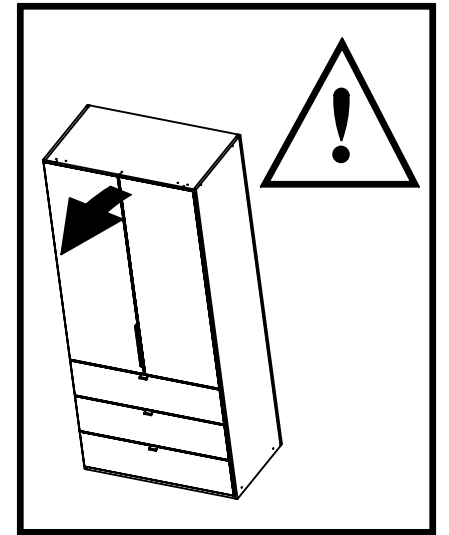
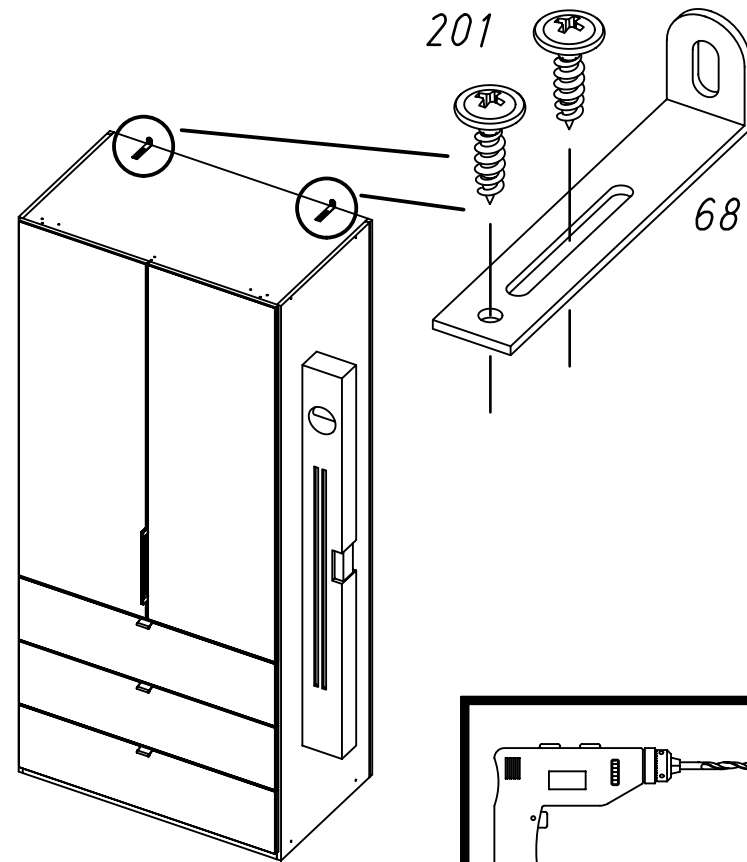
1.

M0851_06

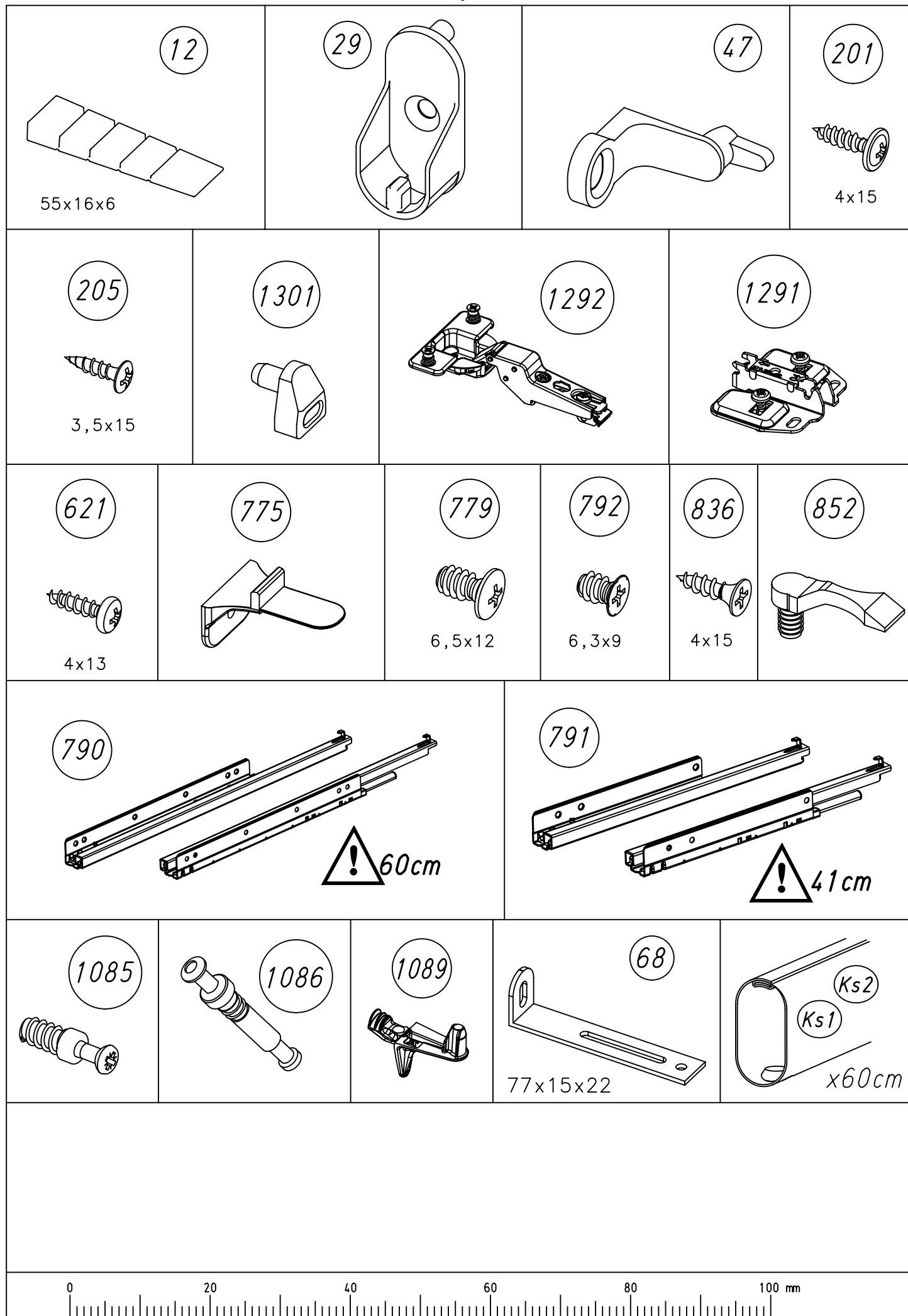
rauch



2.

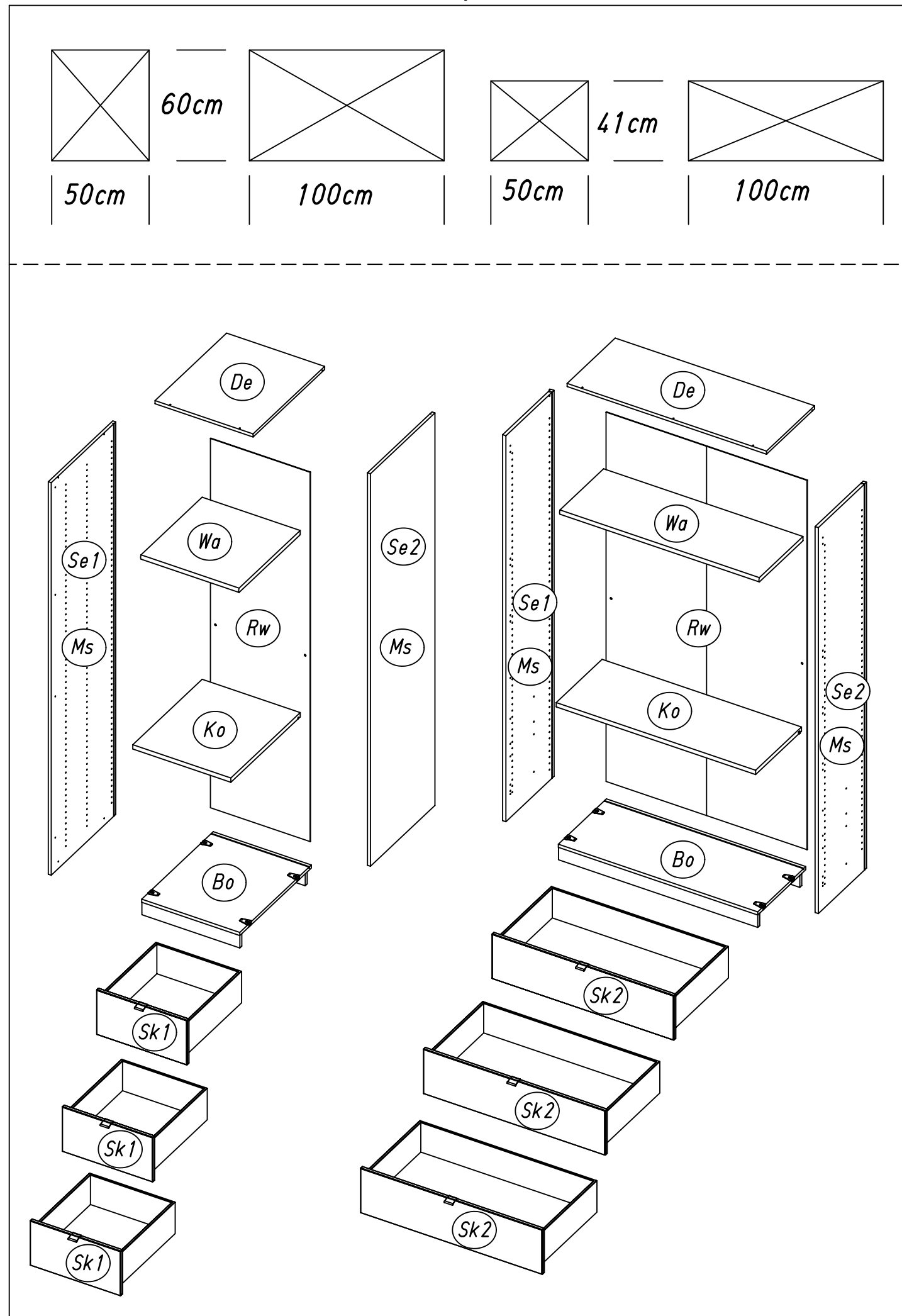


3.



M0851

4.

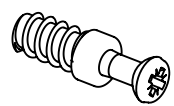


M0851

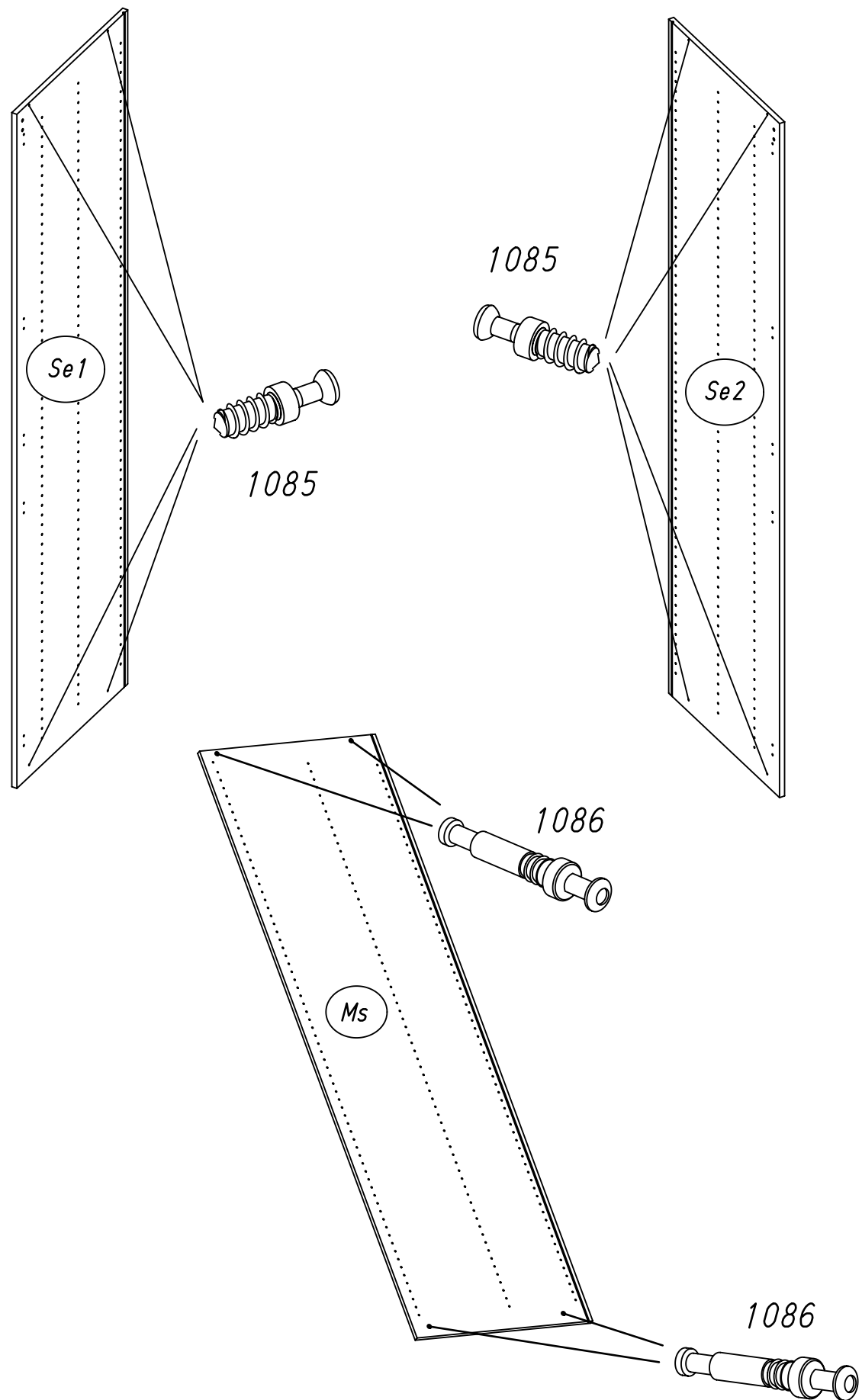
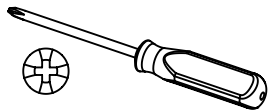
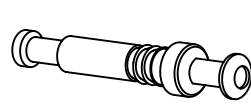
5.

1

8x 1085



4x 1086

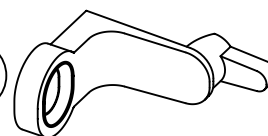


M0851

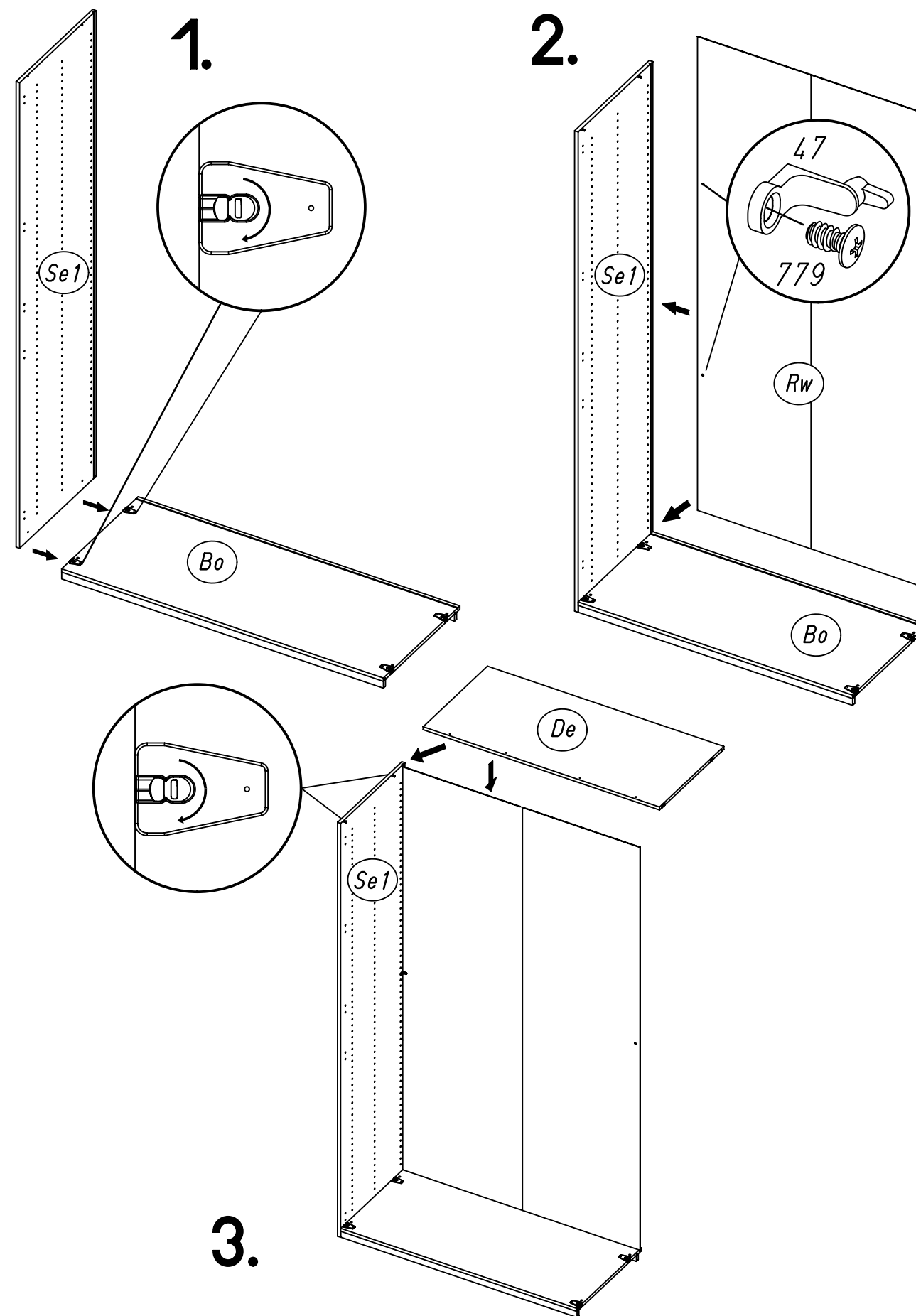
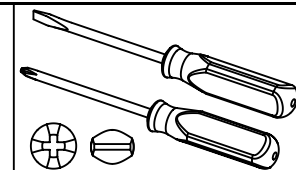
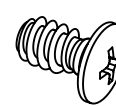
6.

2

2x 47

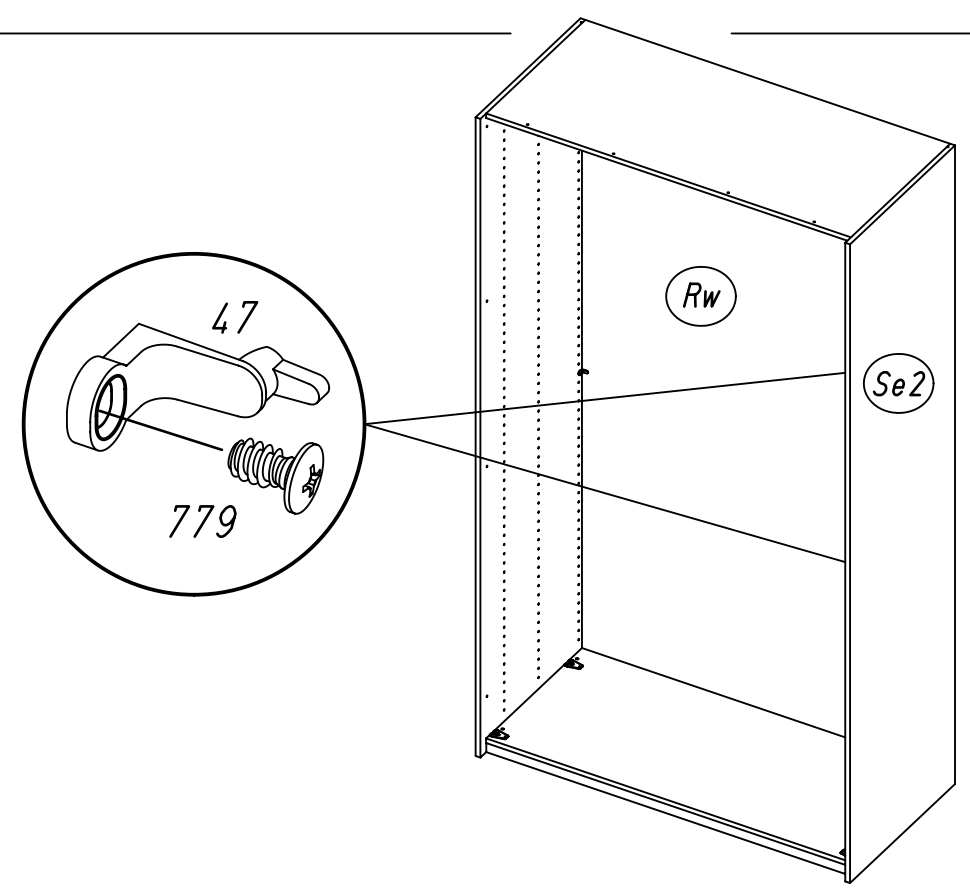
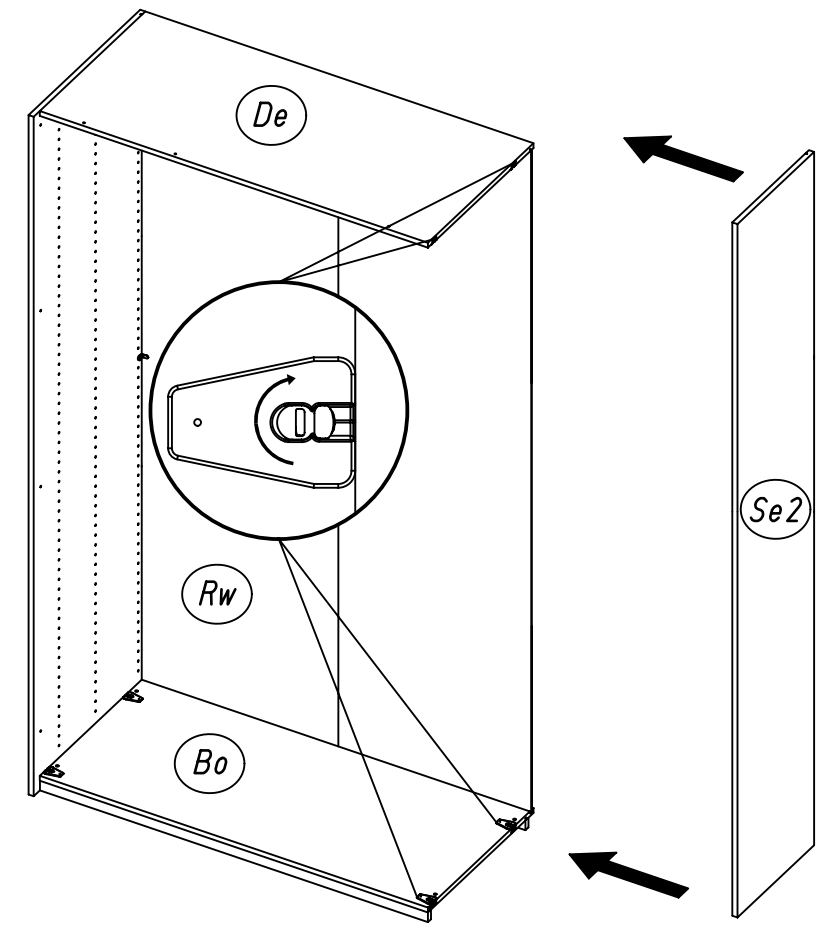
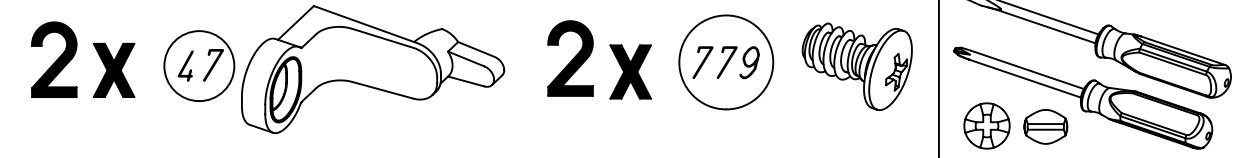


2x 779

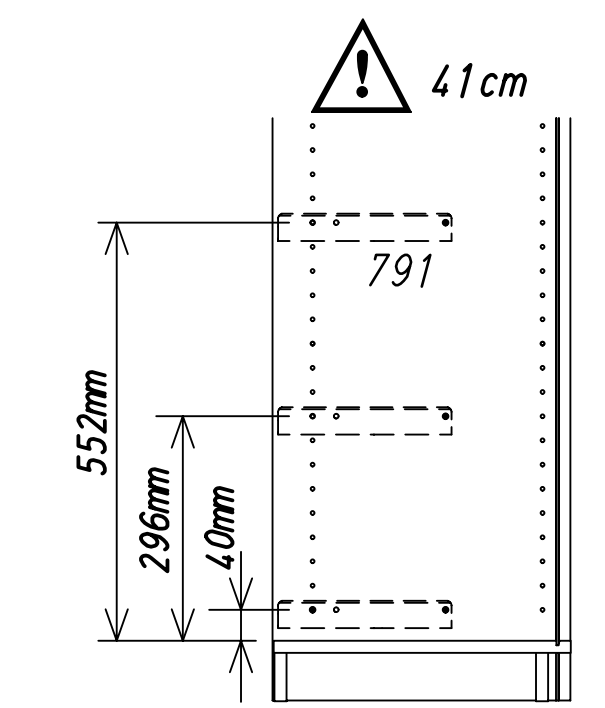
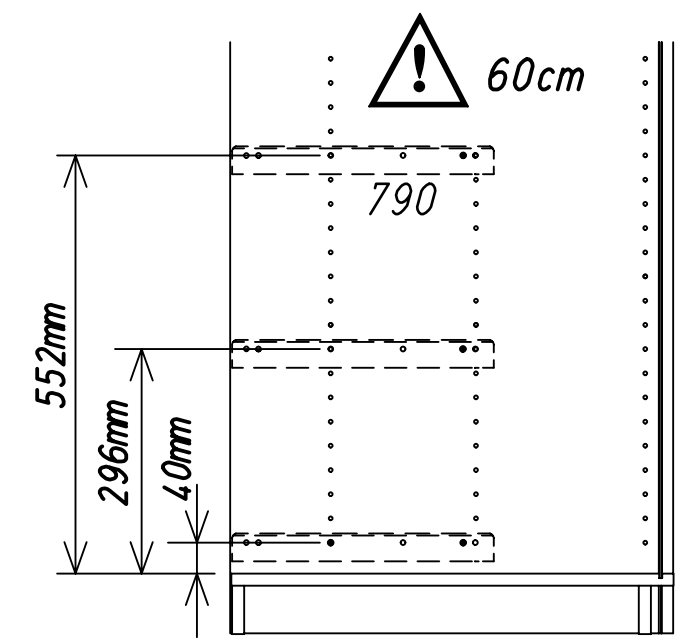
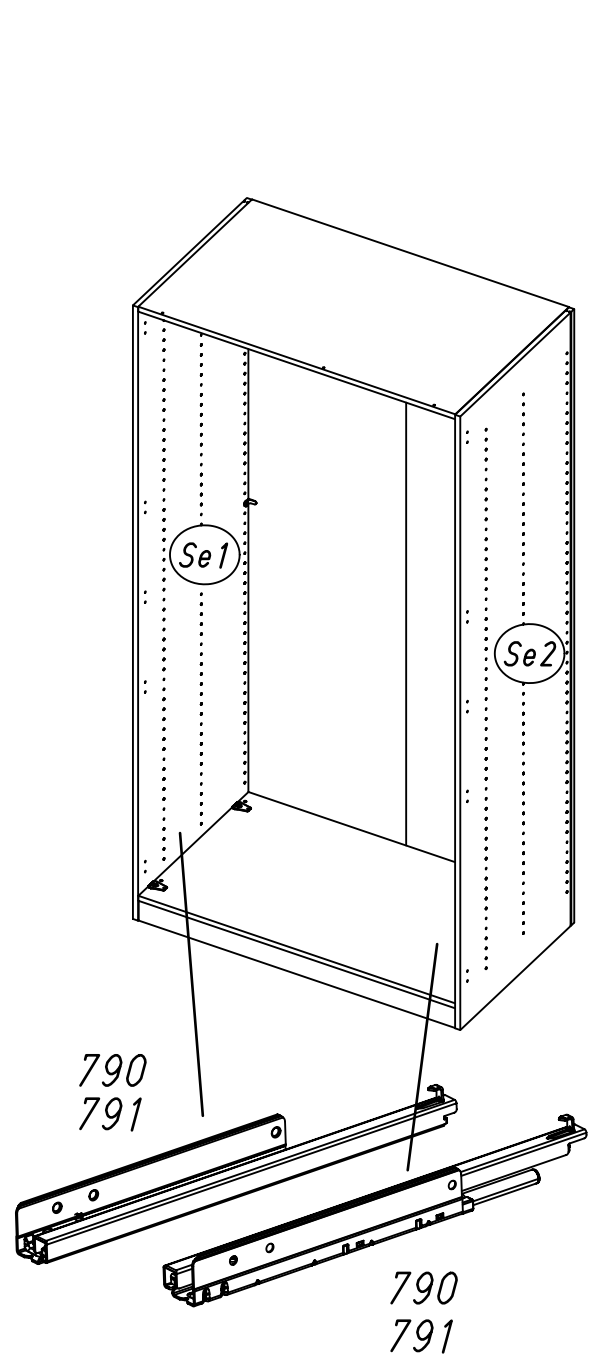
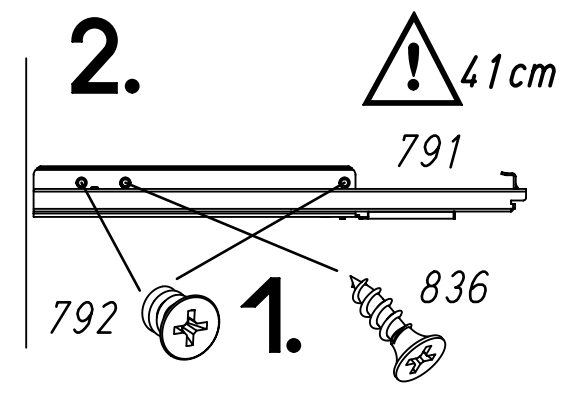
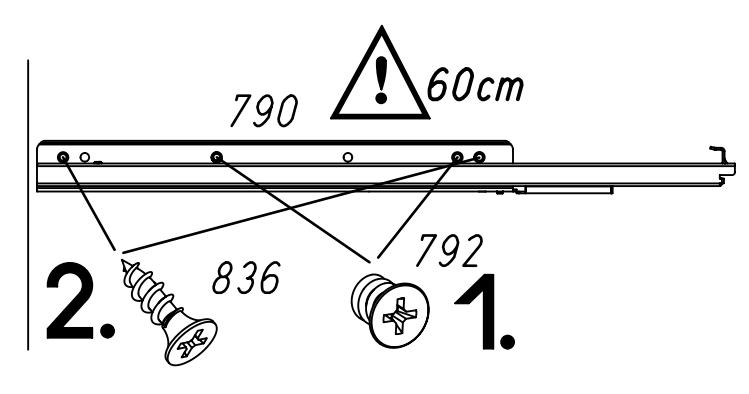
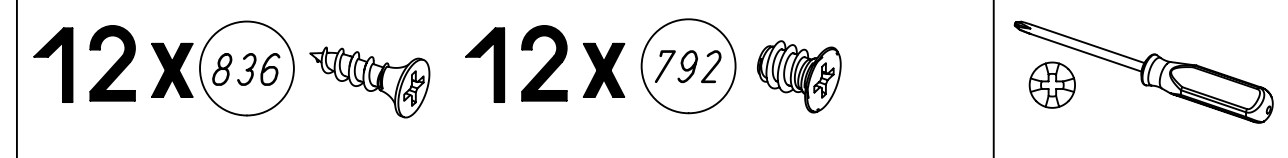


M0851

3



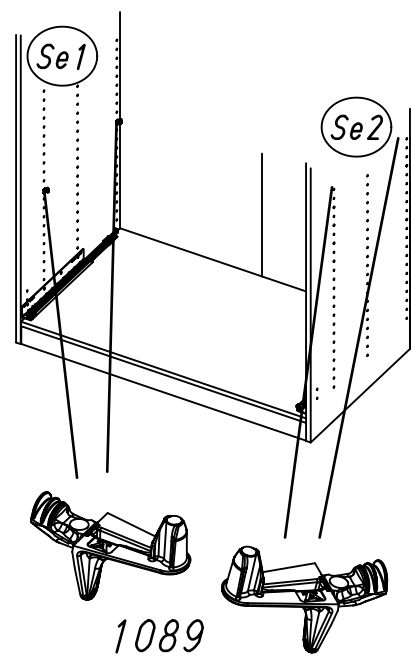
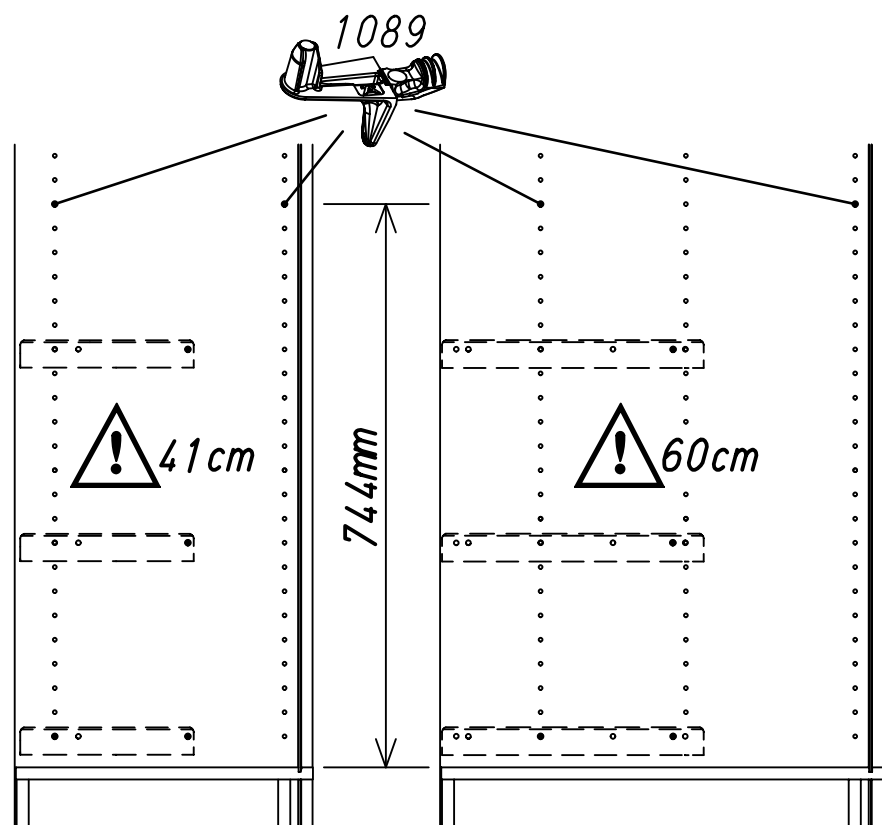
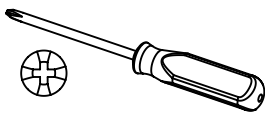
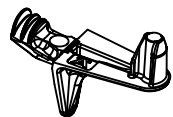
4



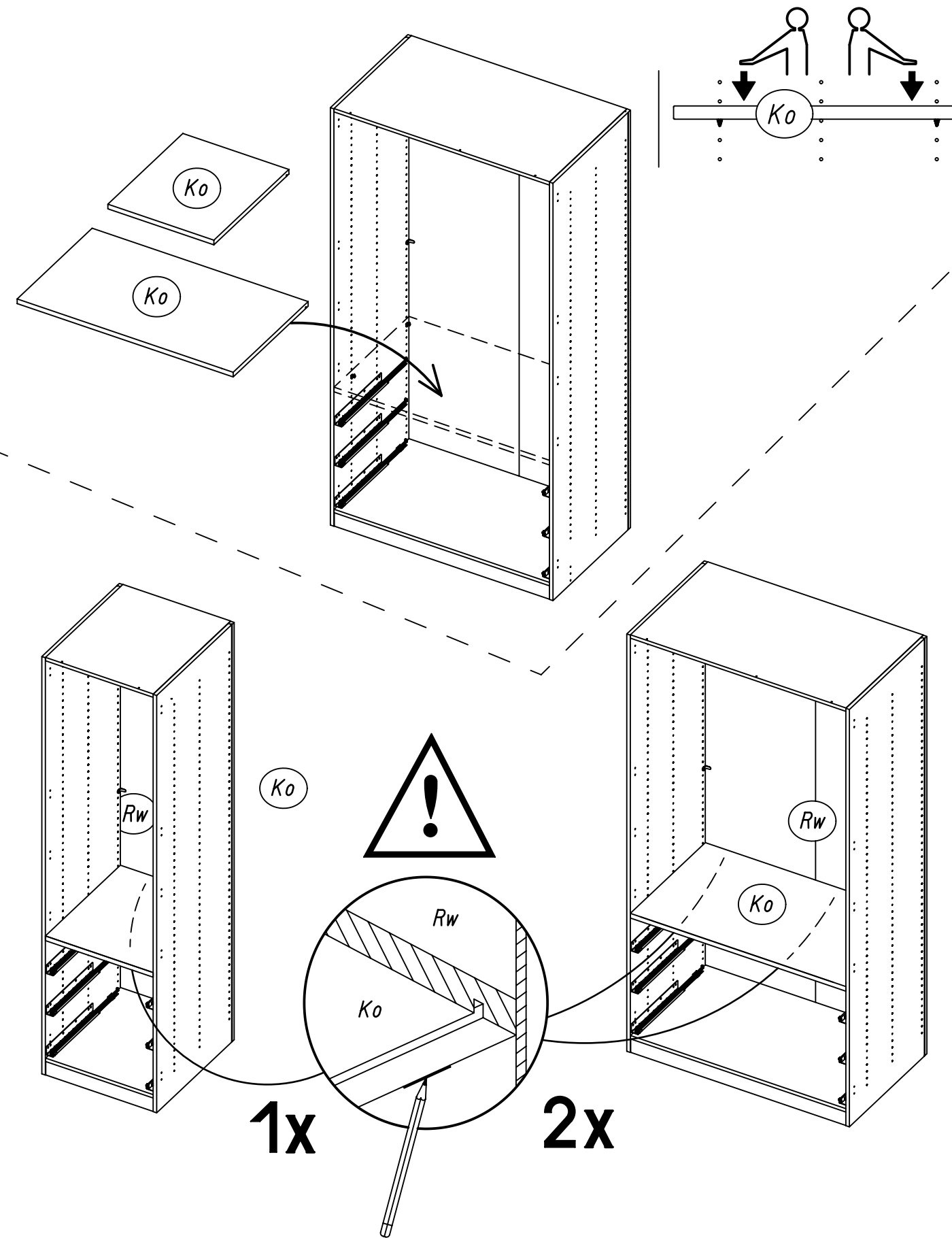
5

4x

1089



6



7

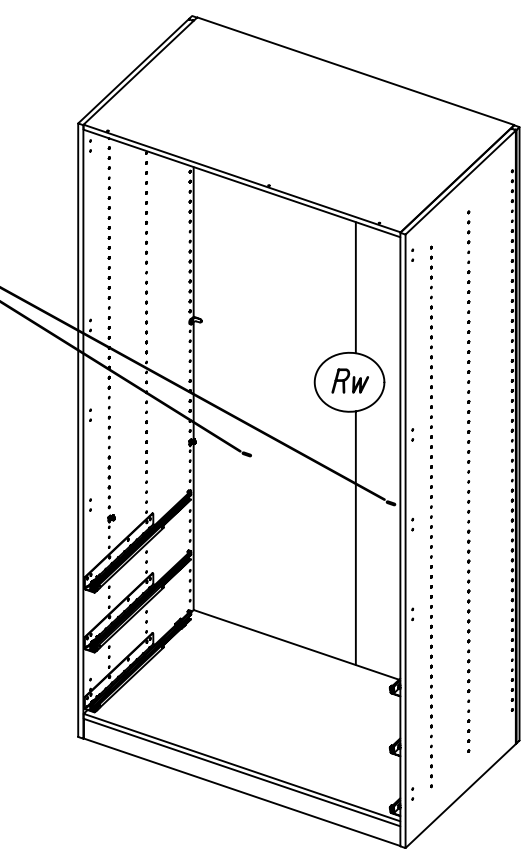
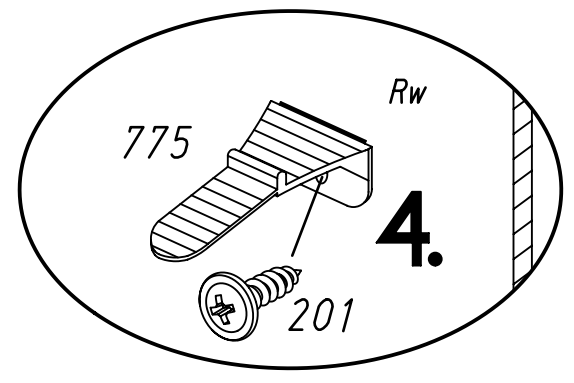
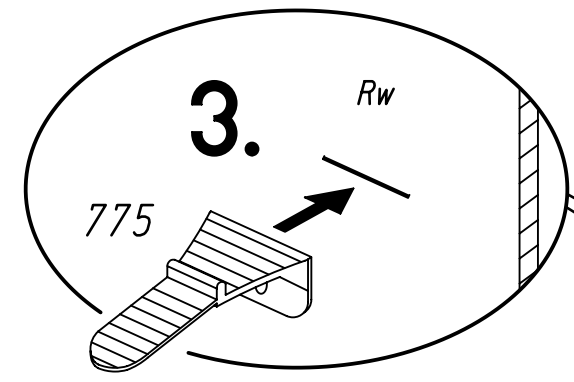
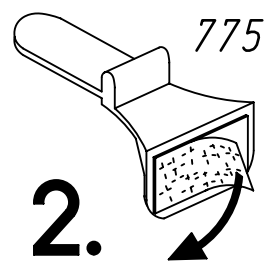
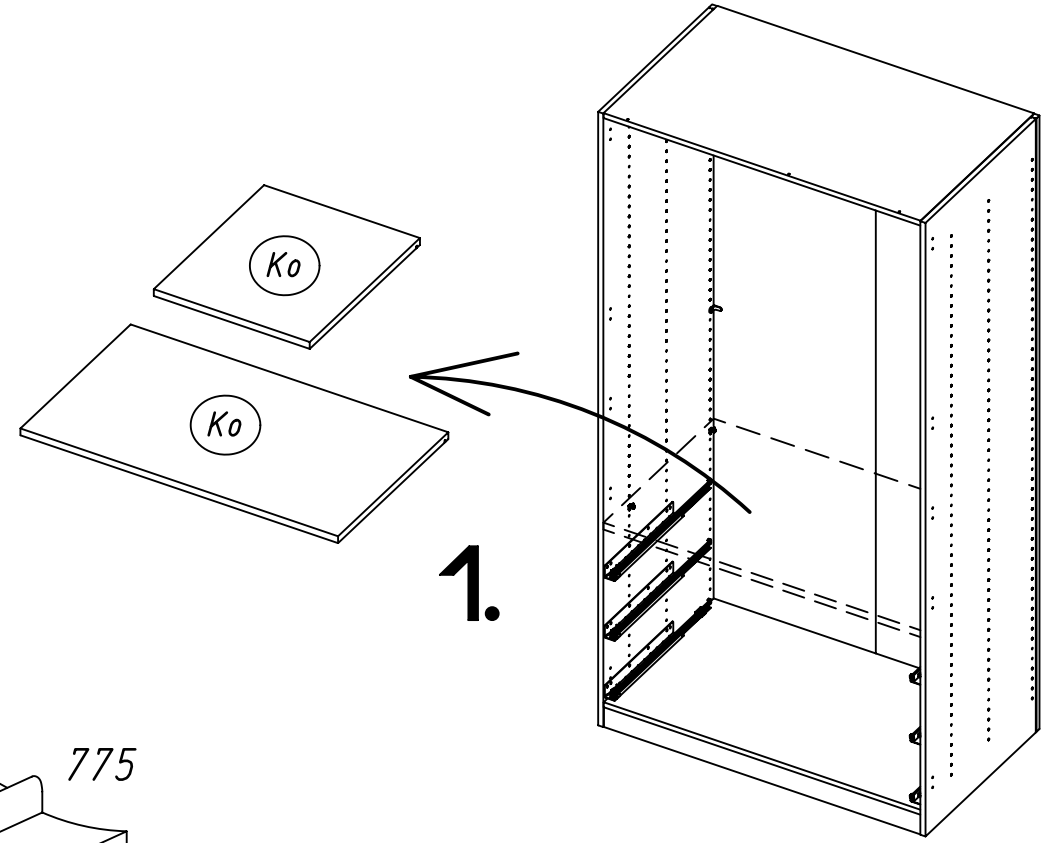
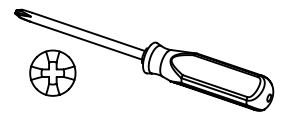
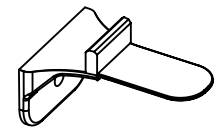
2x

201



2x

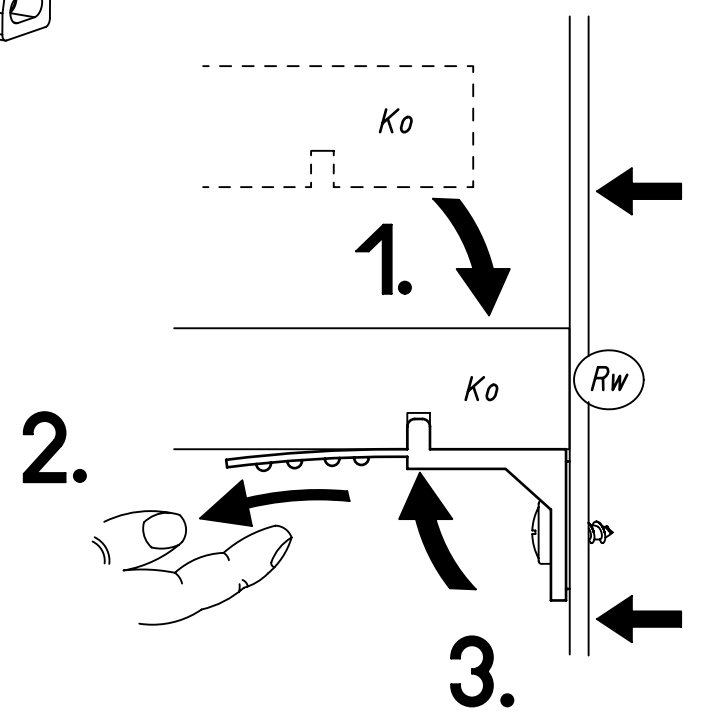
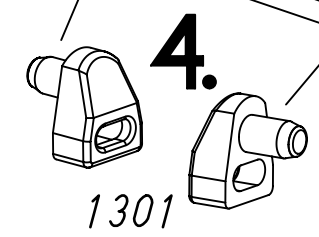
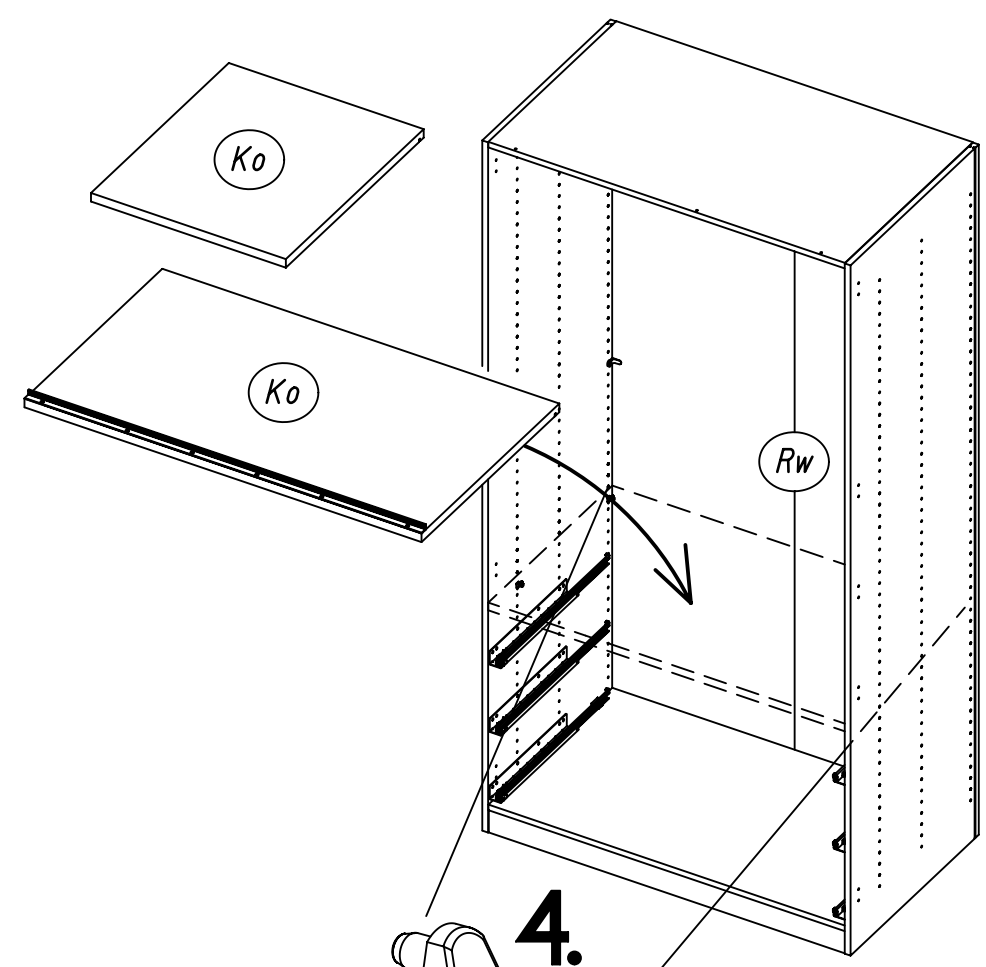
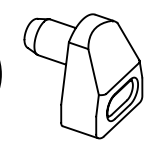
775



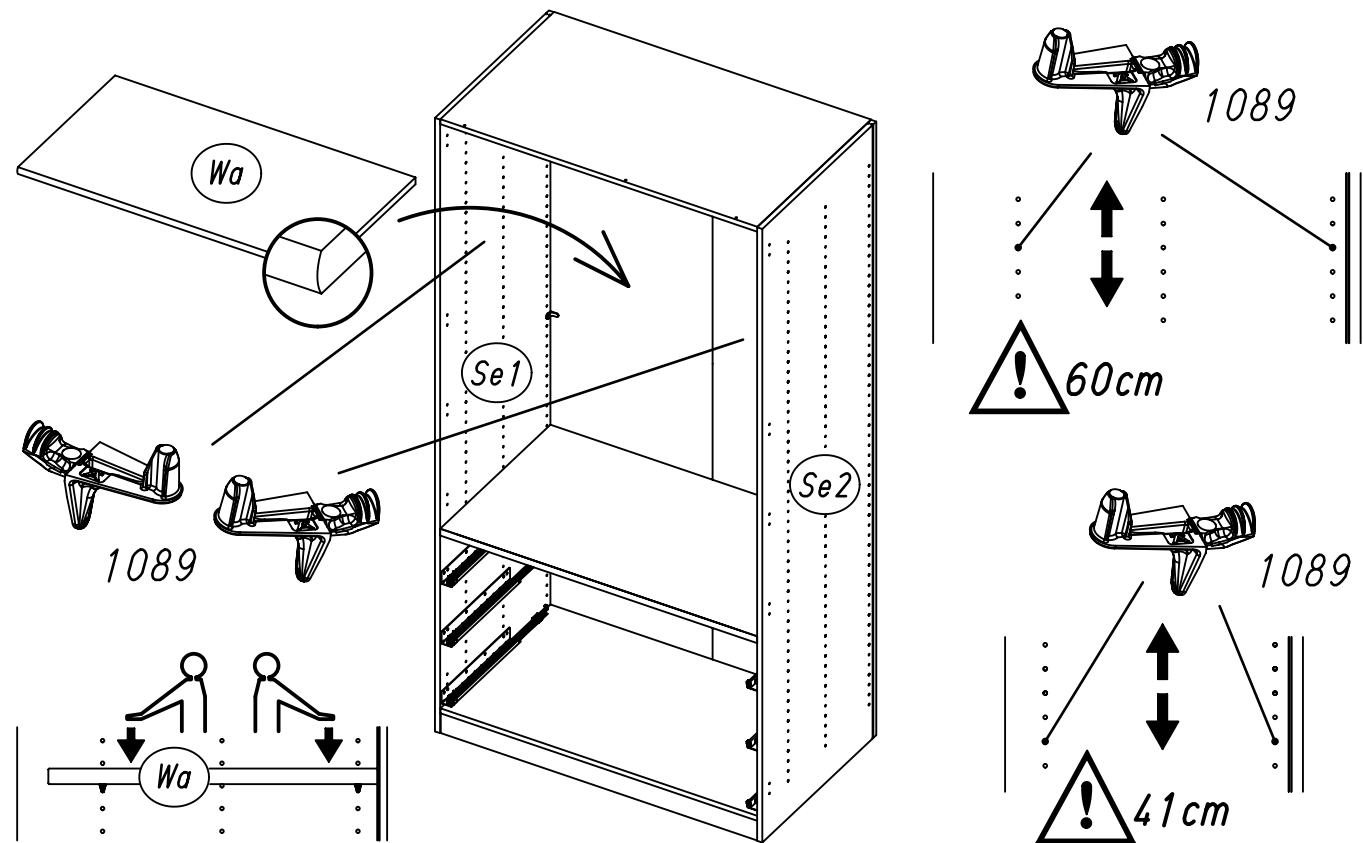
8

2x

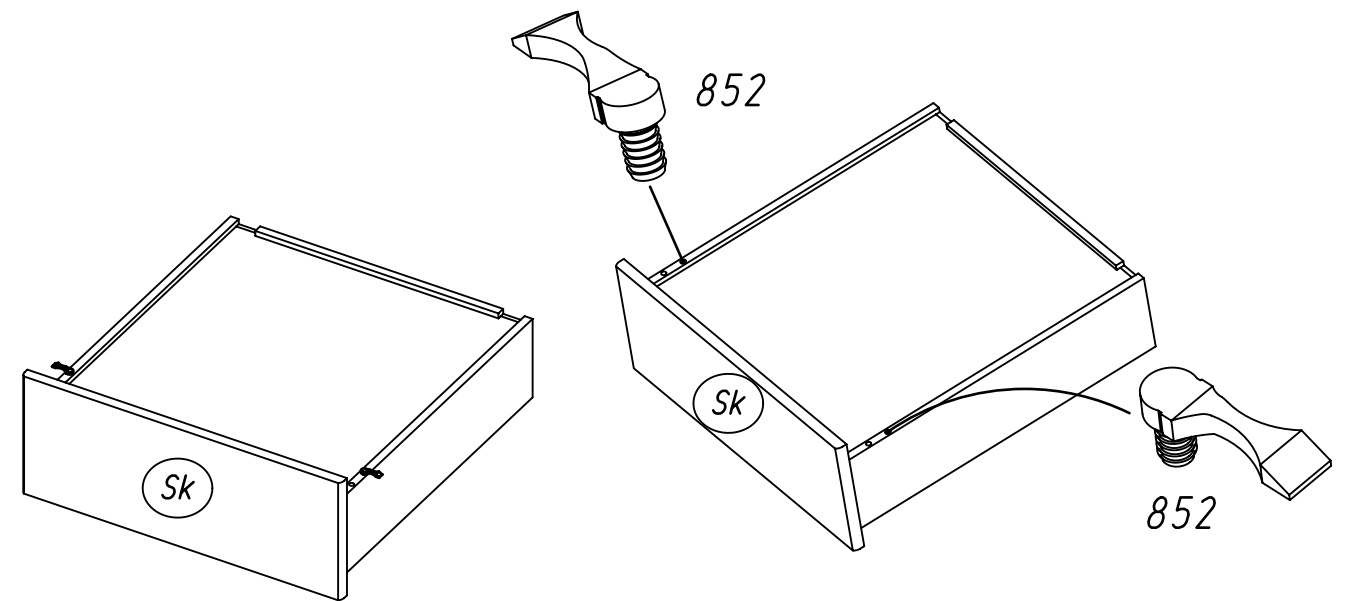
1301



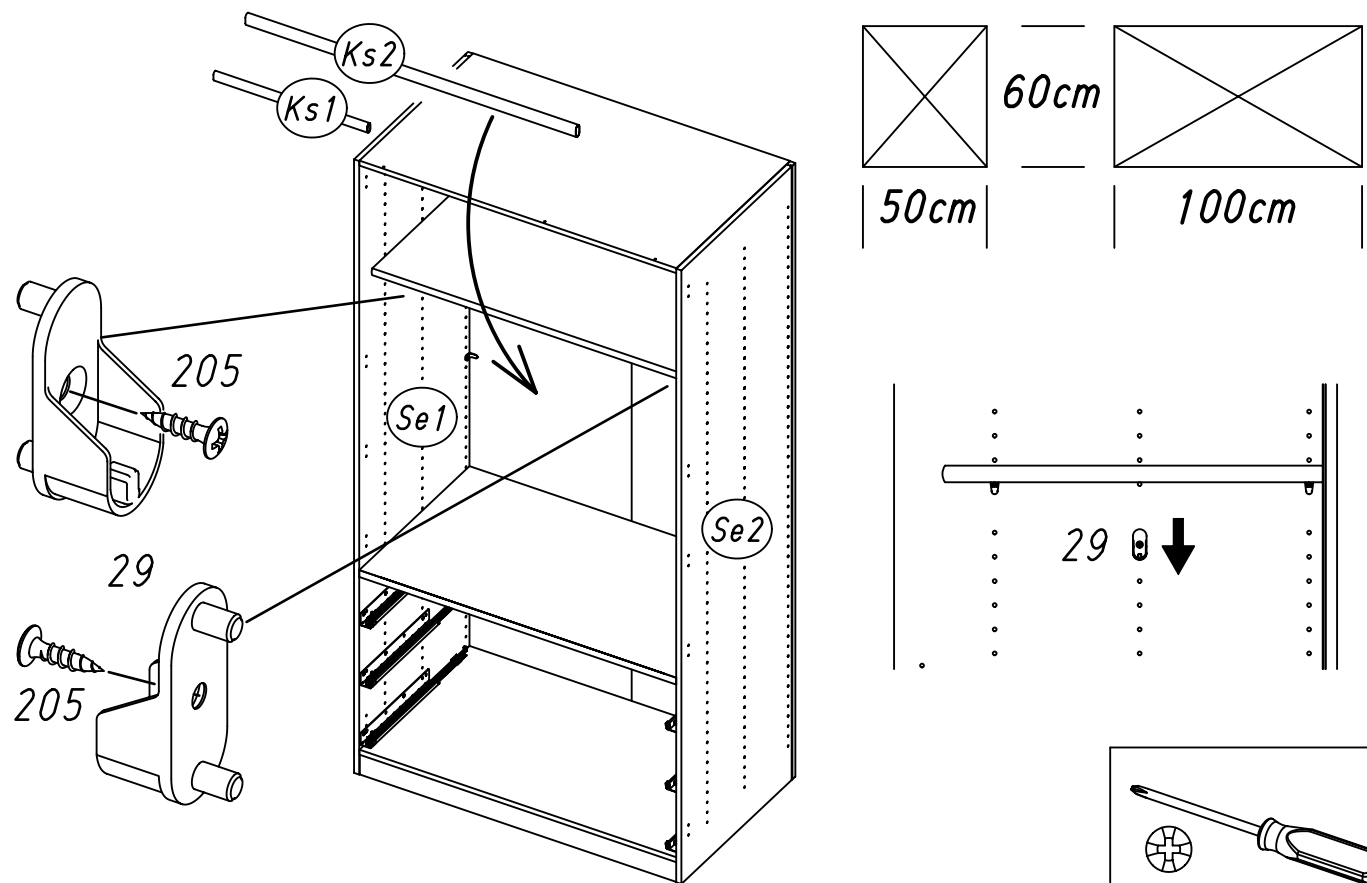
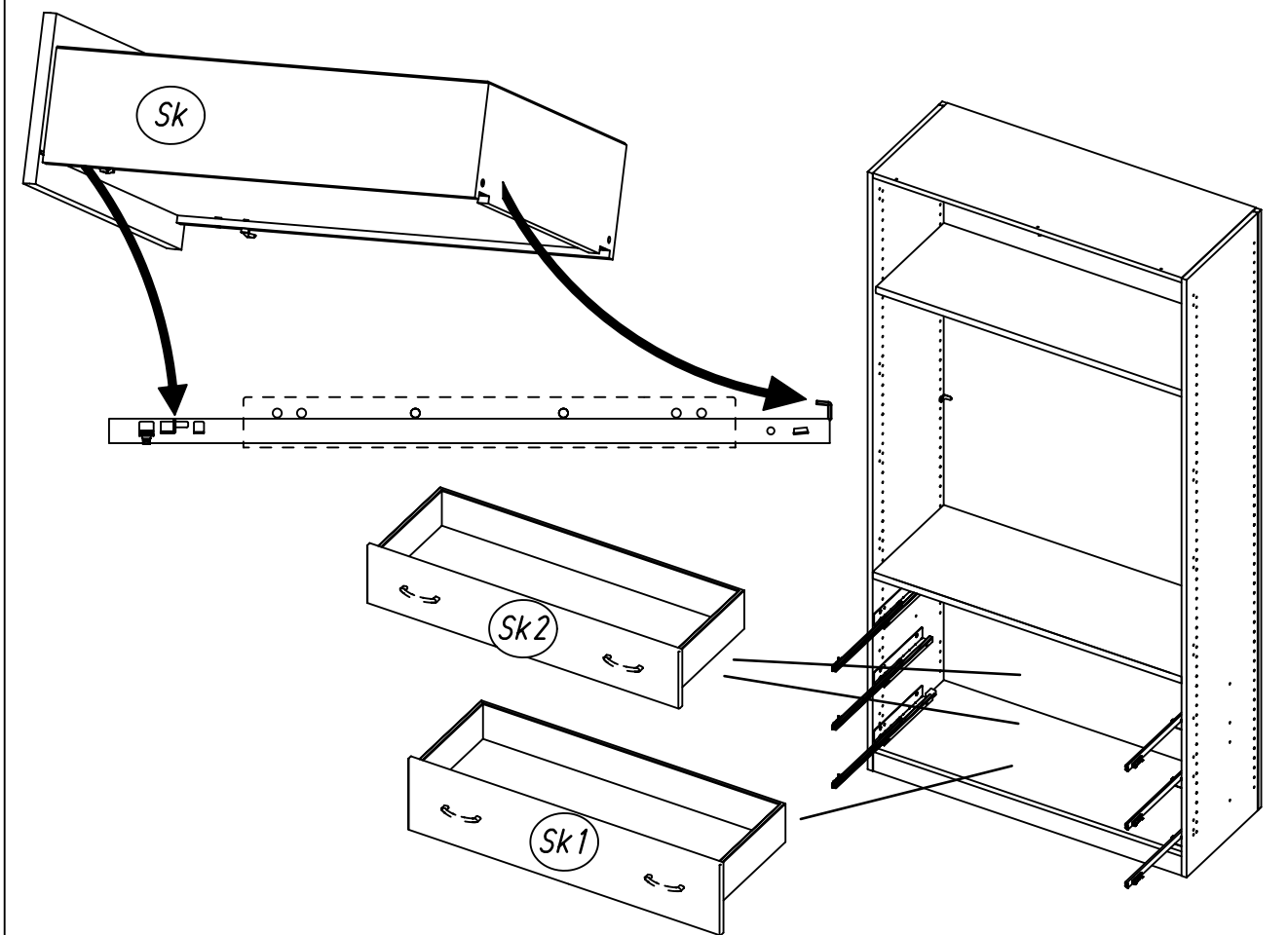
9 2x 205 2x 29 4x 1089



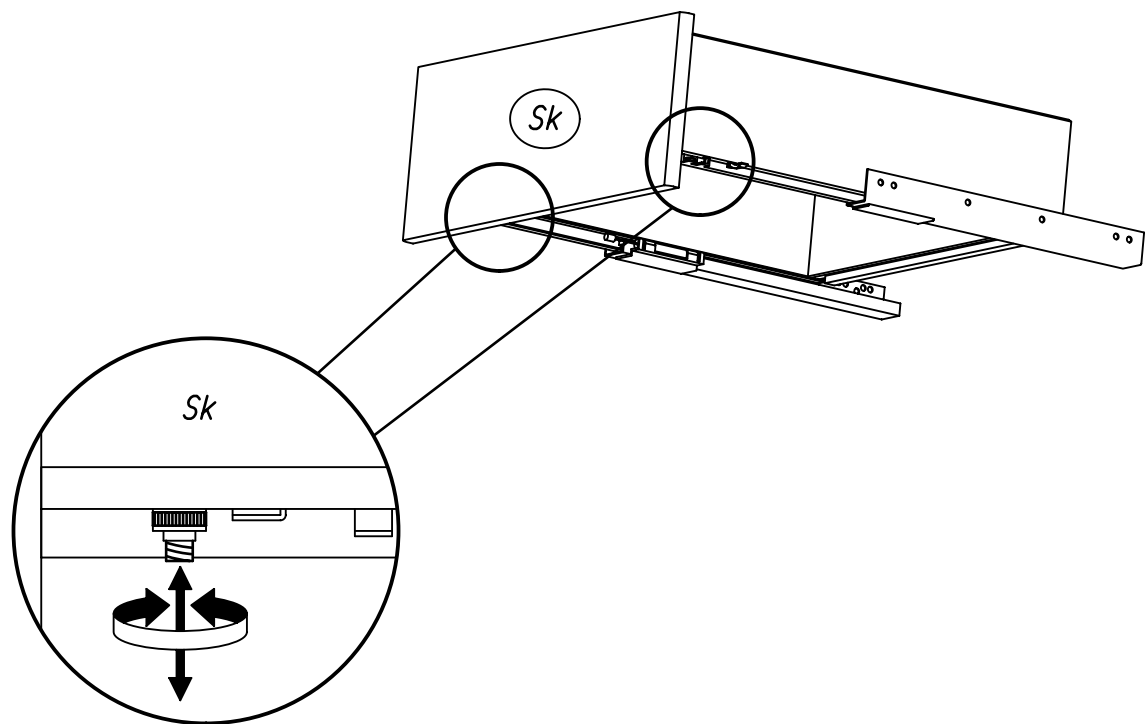
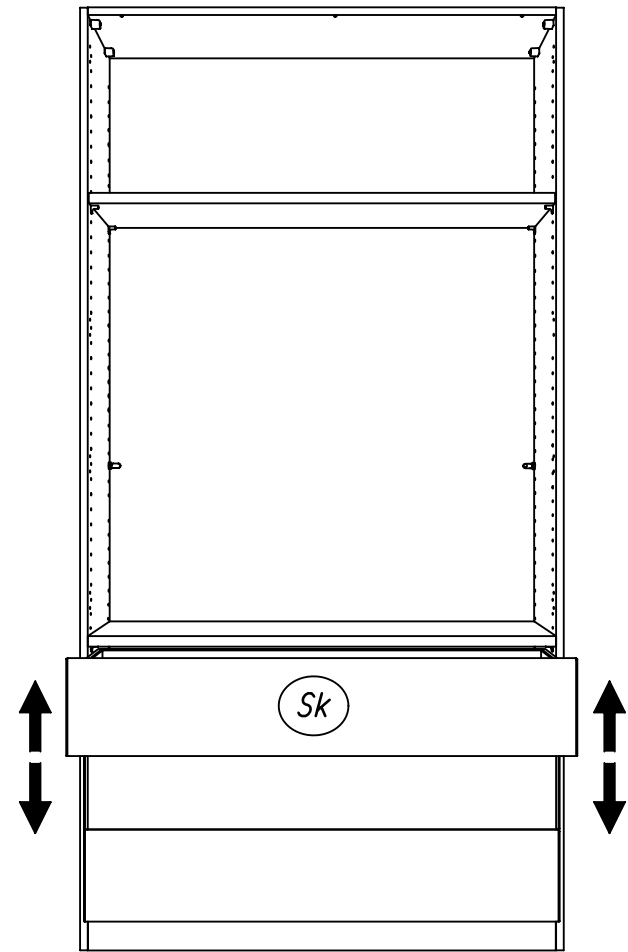
10 6x 852



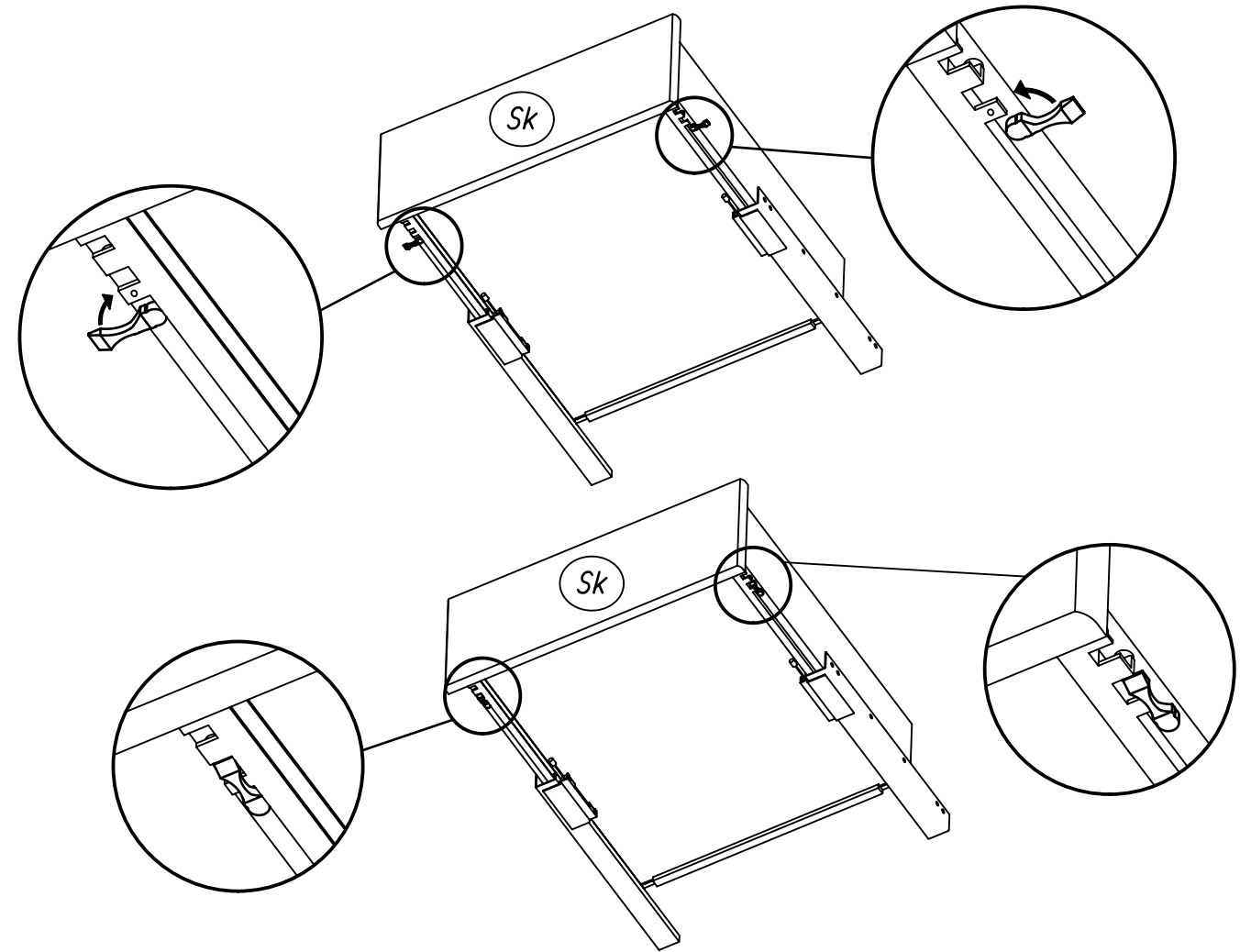
11



12

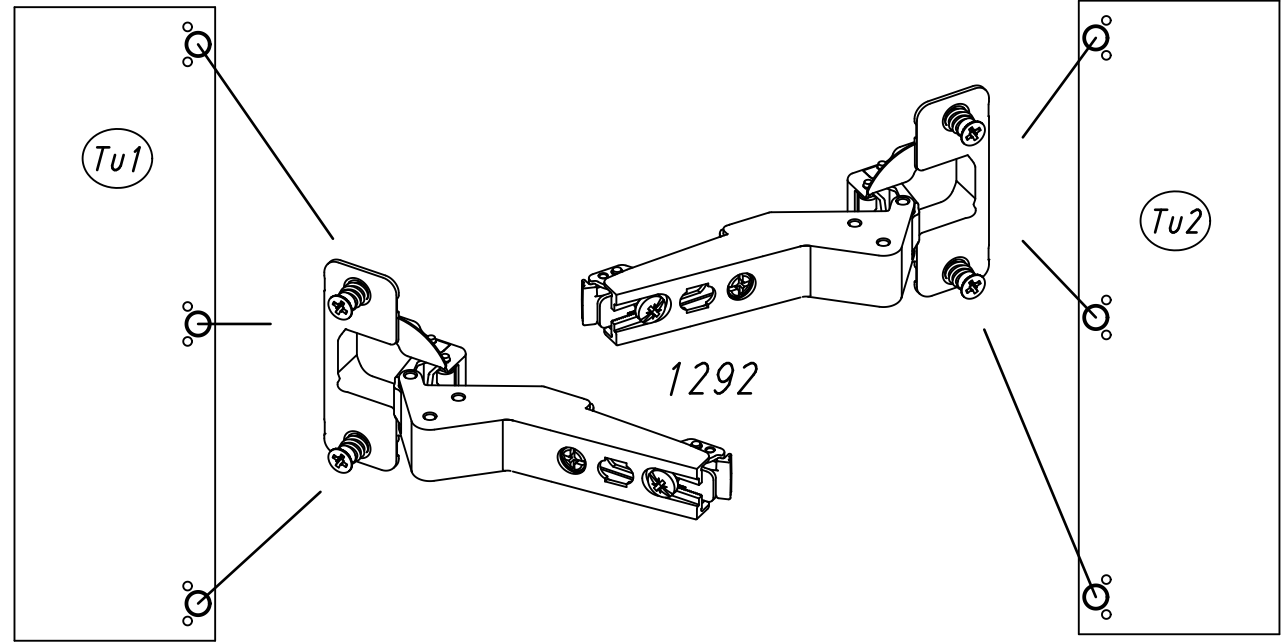
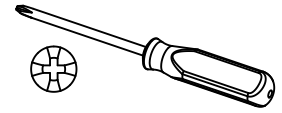
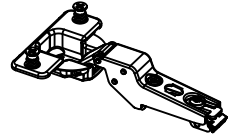


13



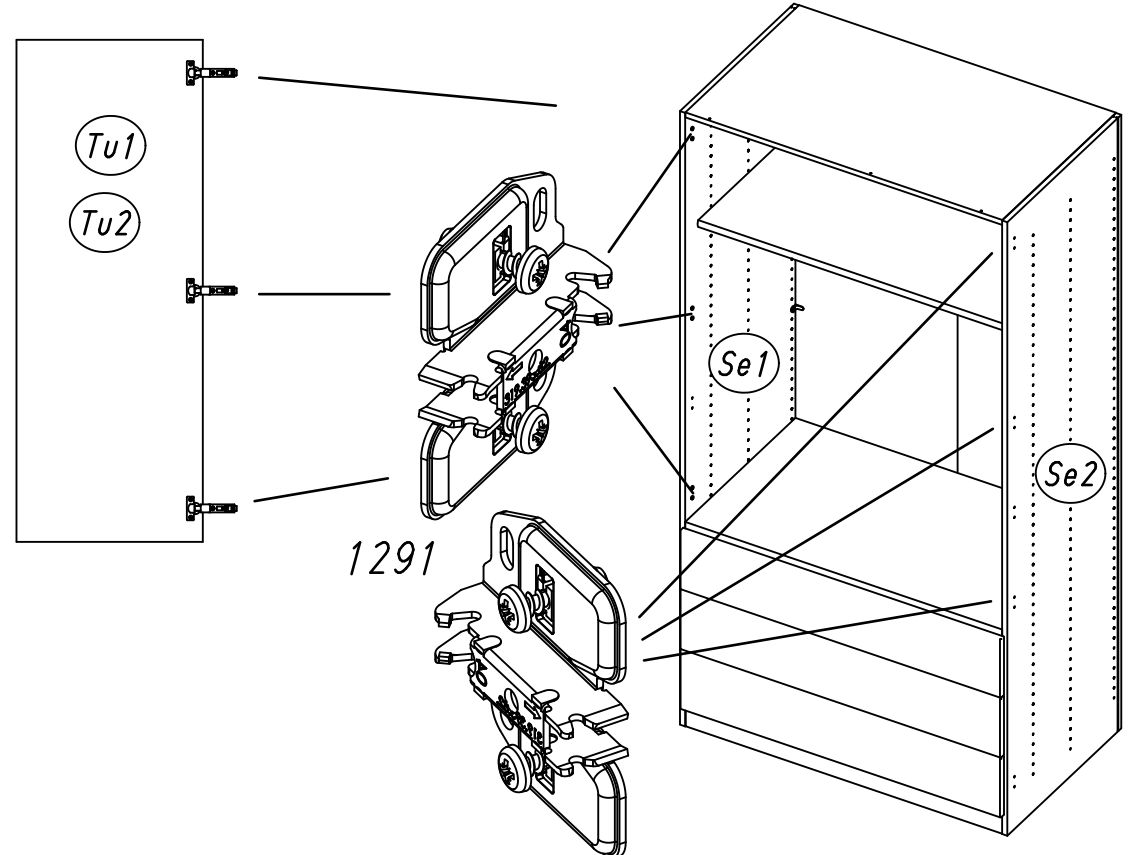
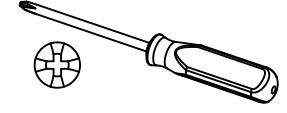
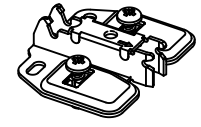
14

6x 1292



15

6x 1291



1291

2136
2104

Se1
+
Se2
+
Ms

1528
1496

2224

2352

920
888

41cm

41cm

2264
2232

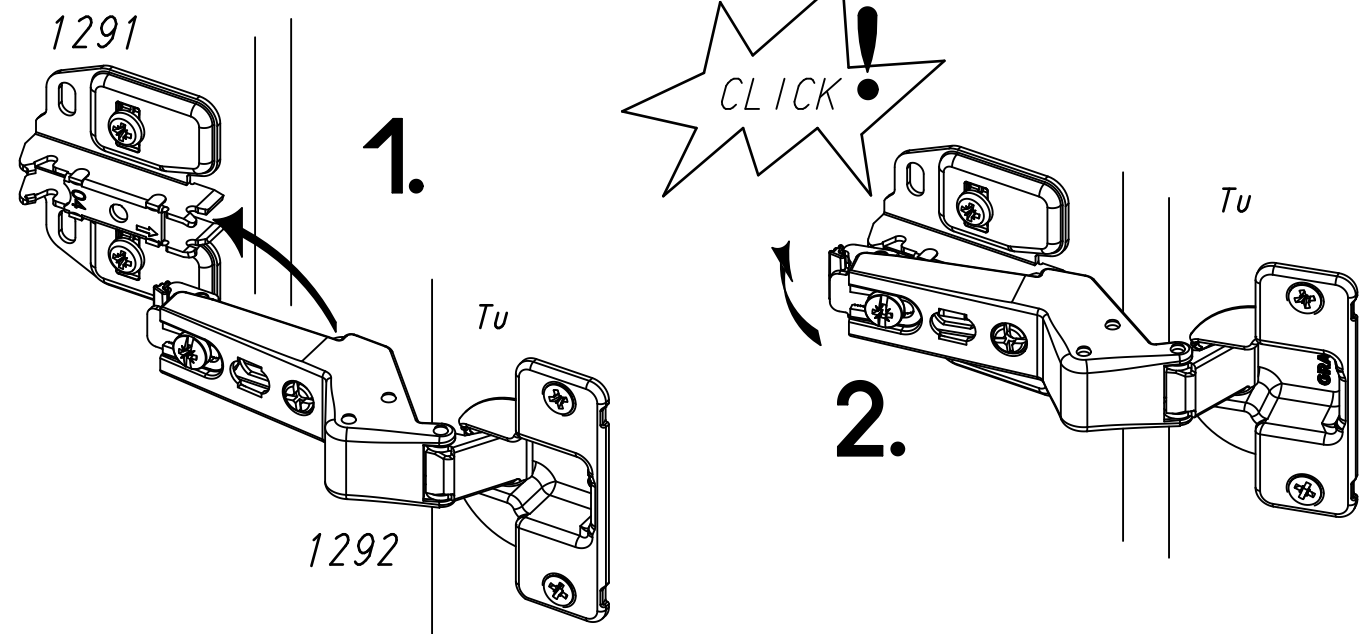
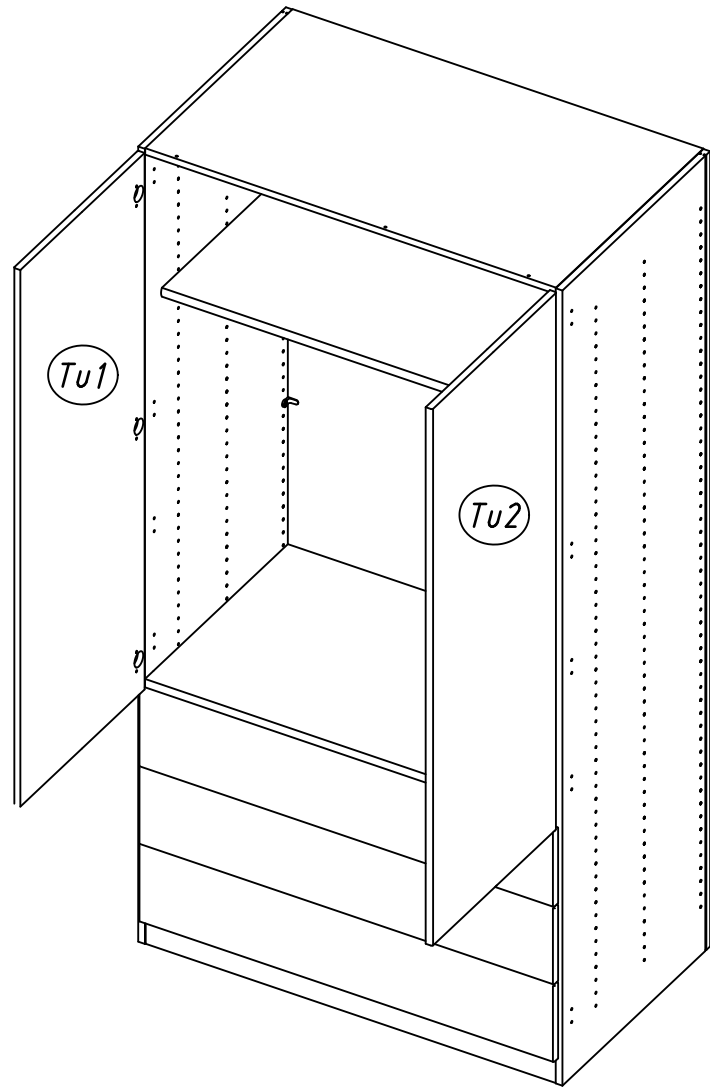
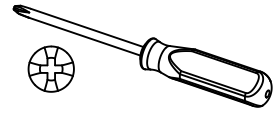
1291

Se1
+
Se2
+
Ms

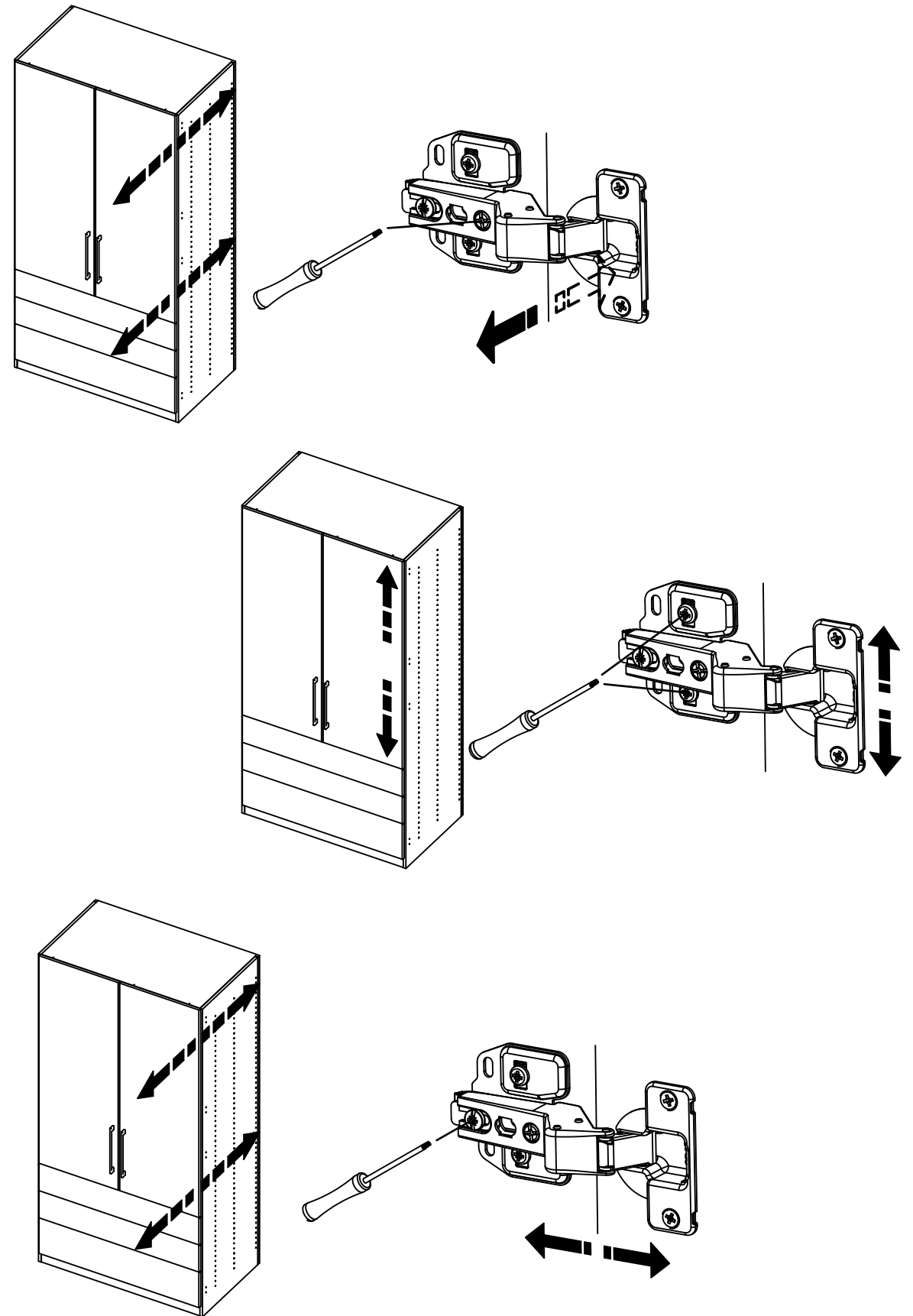
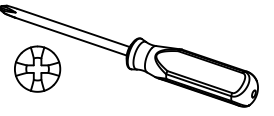
1592
1560

920
888

16



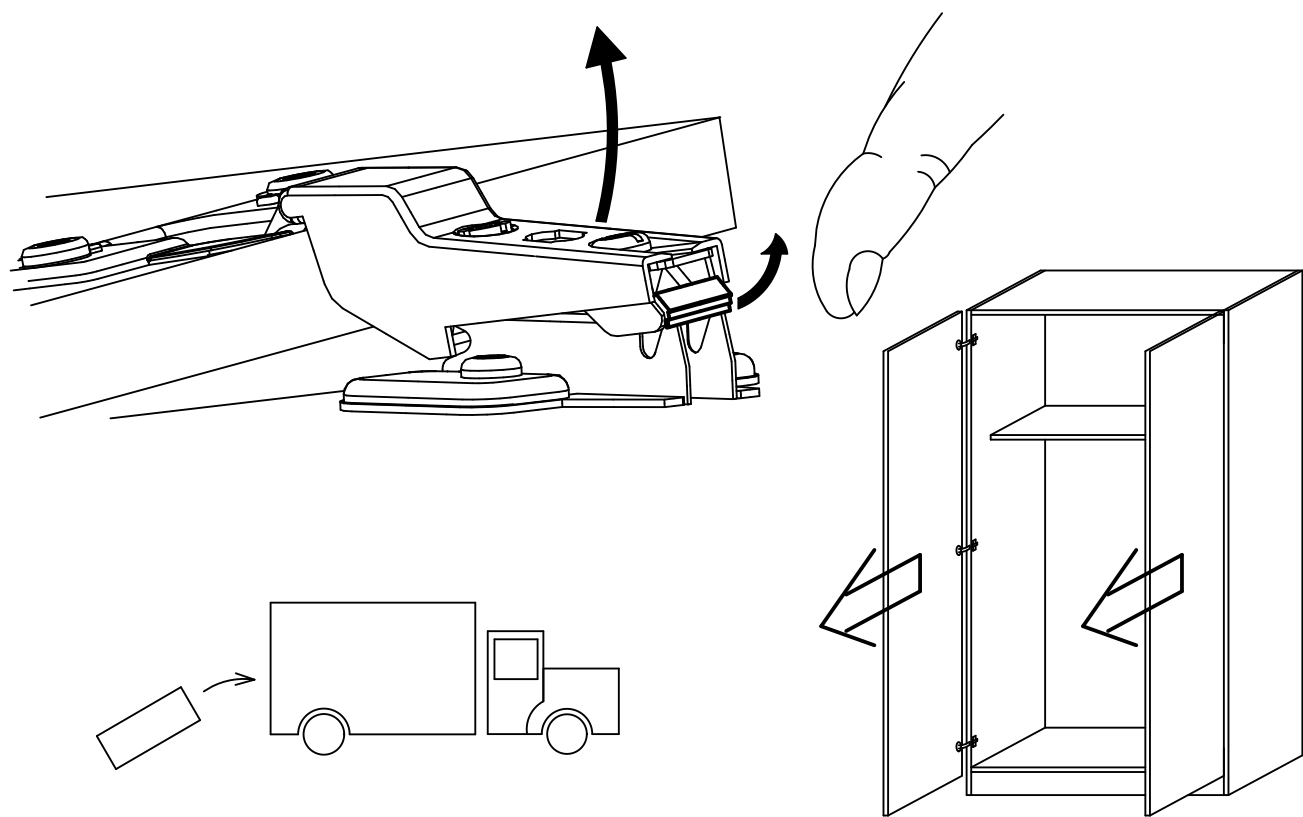
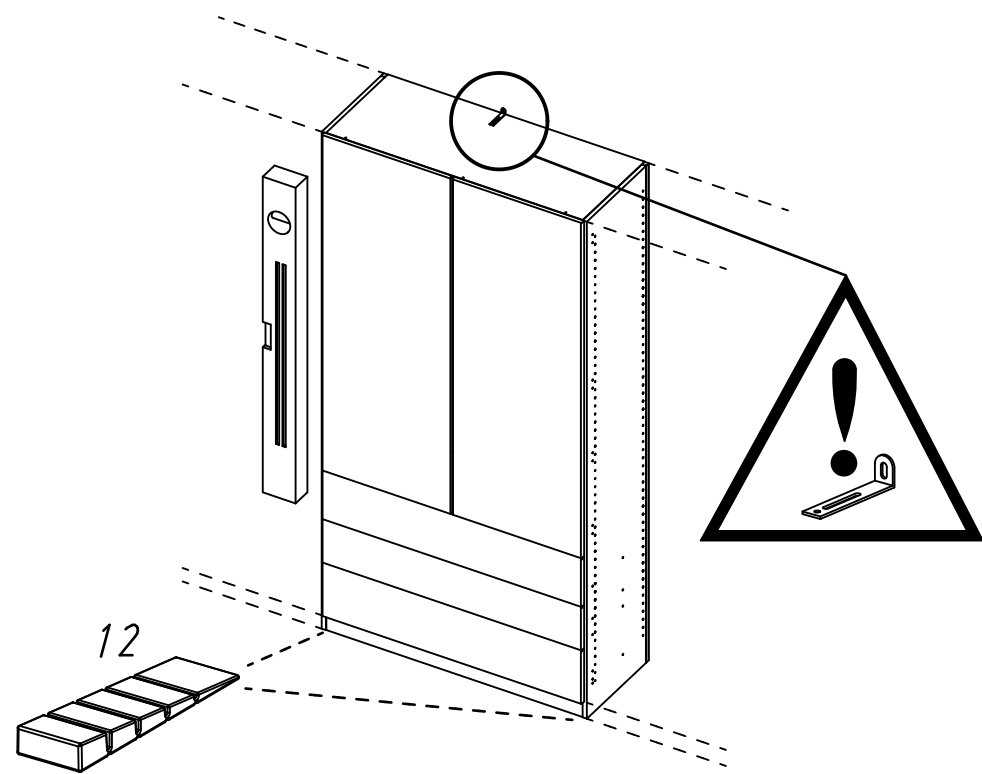
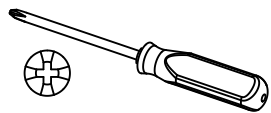
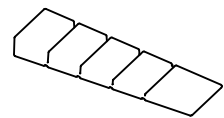
17



18

2x

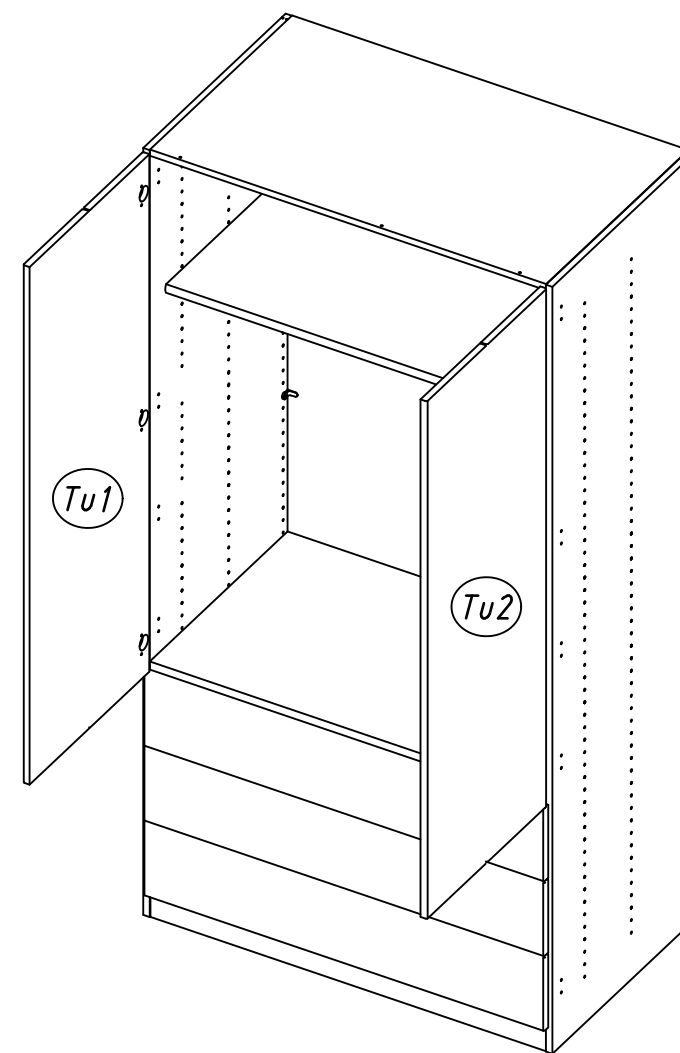
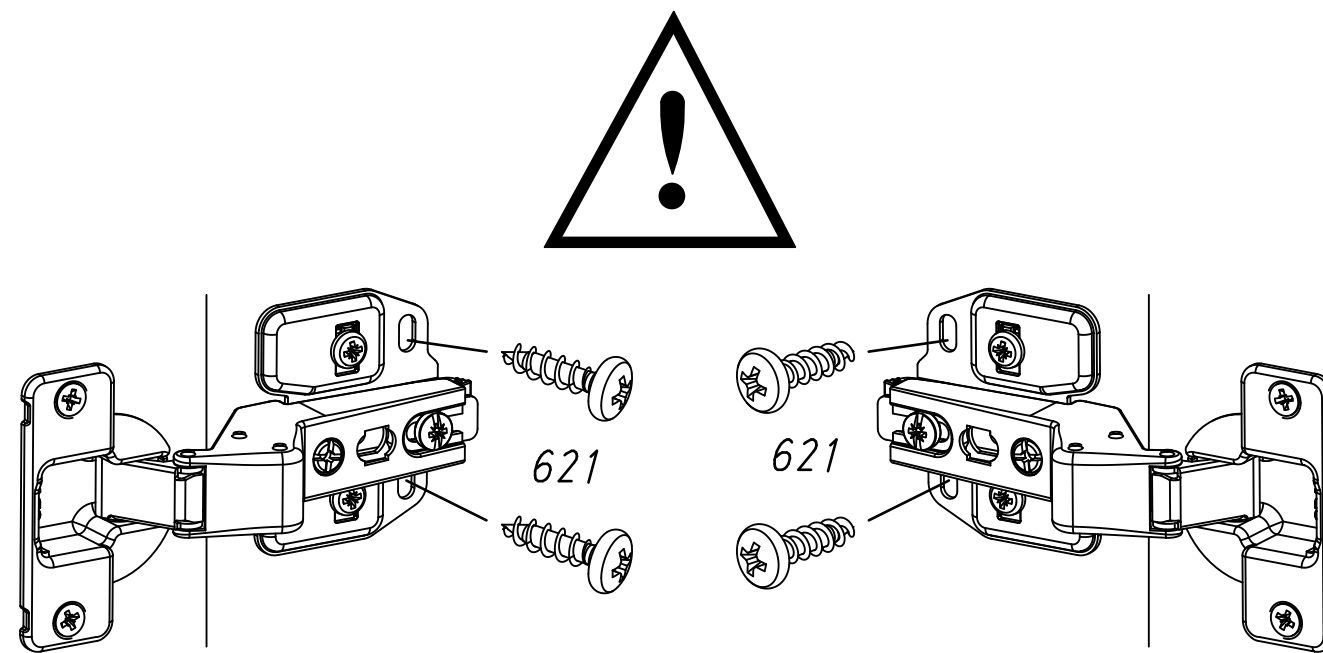
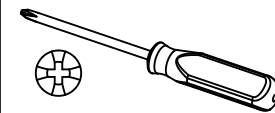
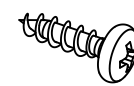
12



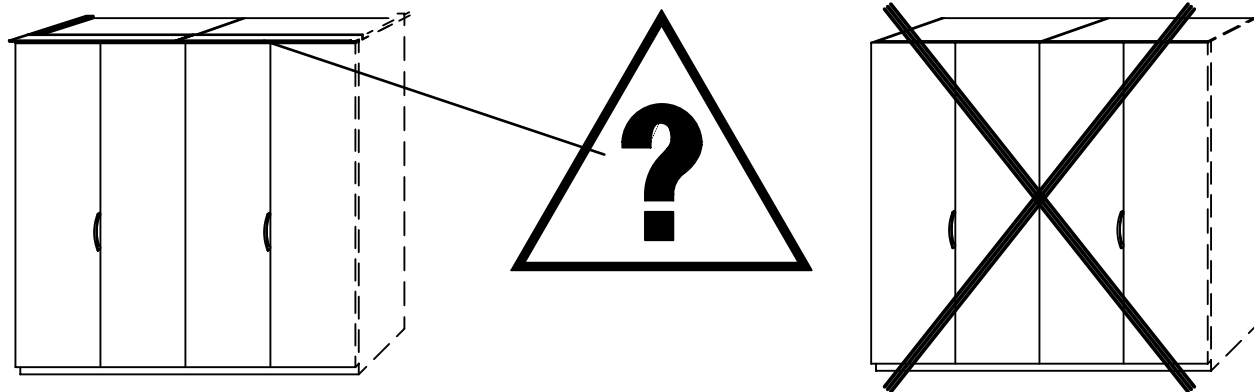
19

12x

621



20

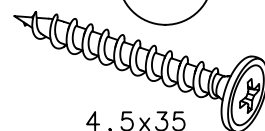


201



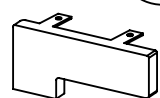
4x15

214

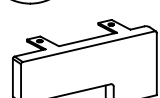


4,5x35

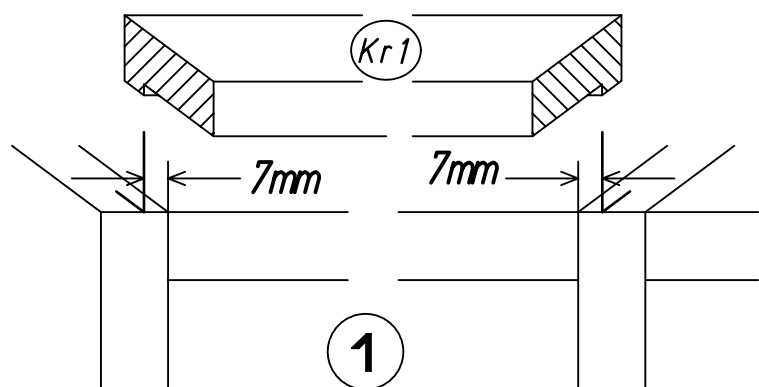
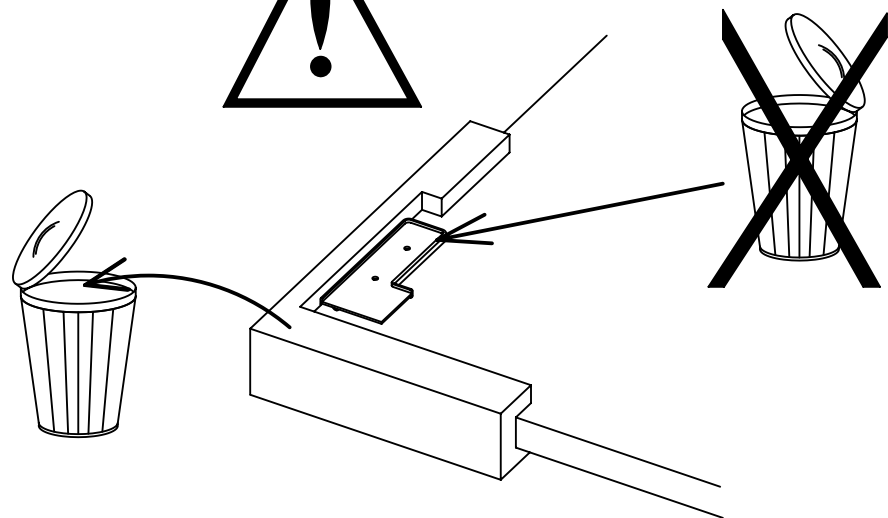
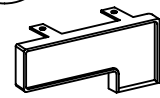
423



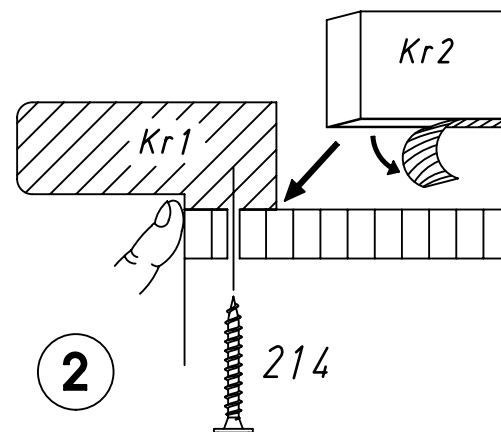
424



425



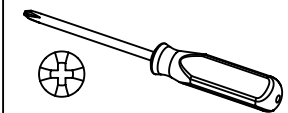
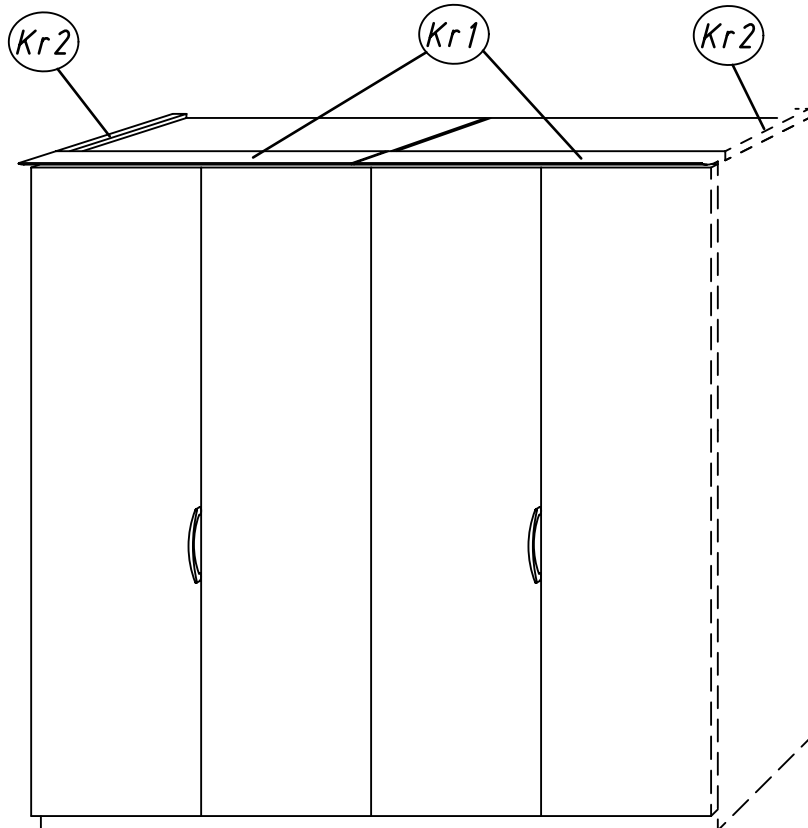
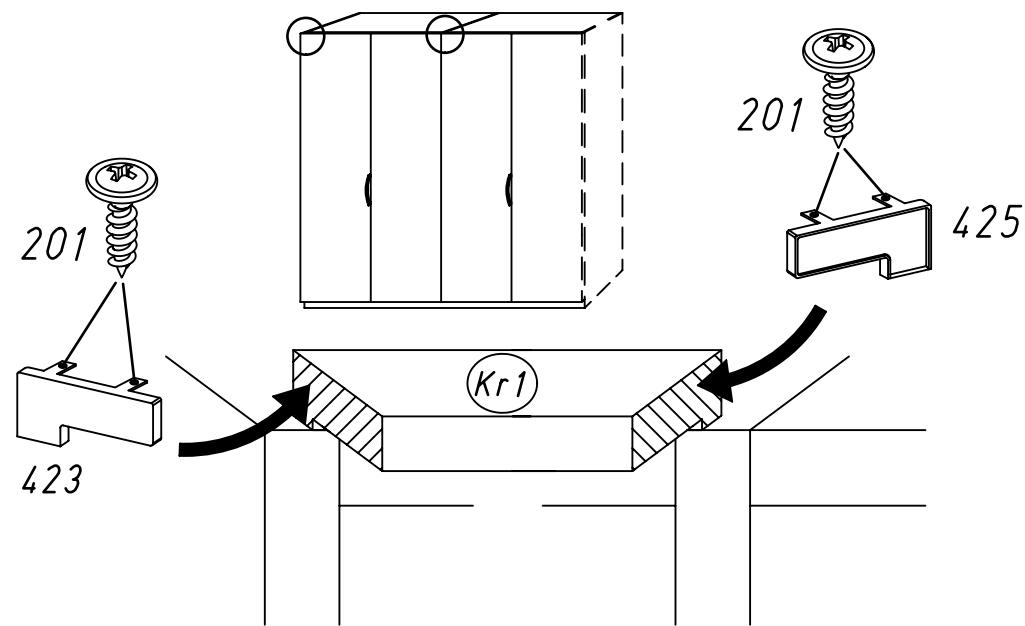
1



2

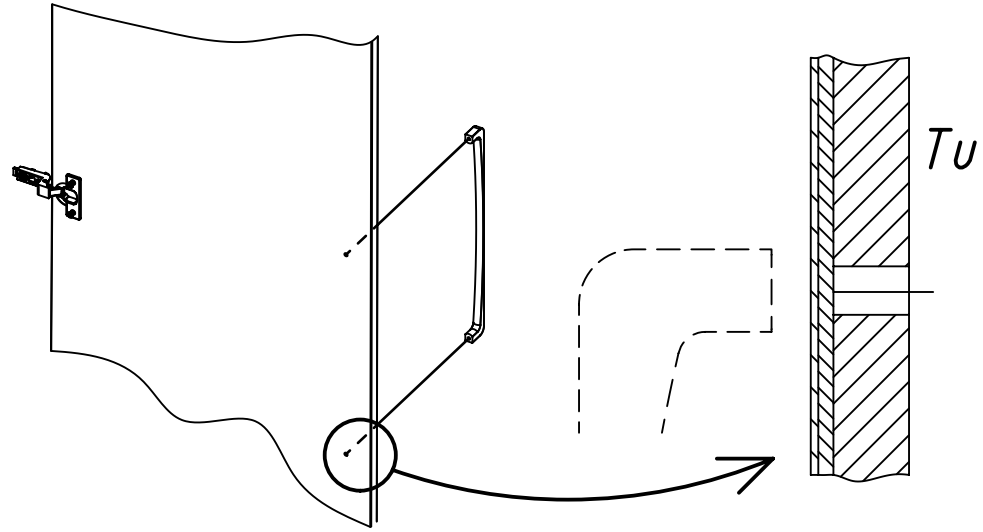
21

4 x 201  1 x 423  1 x 425 



22

1.



2.

