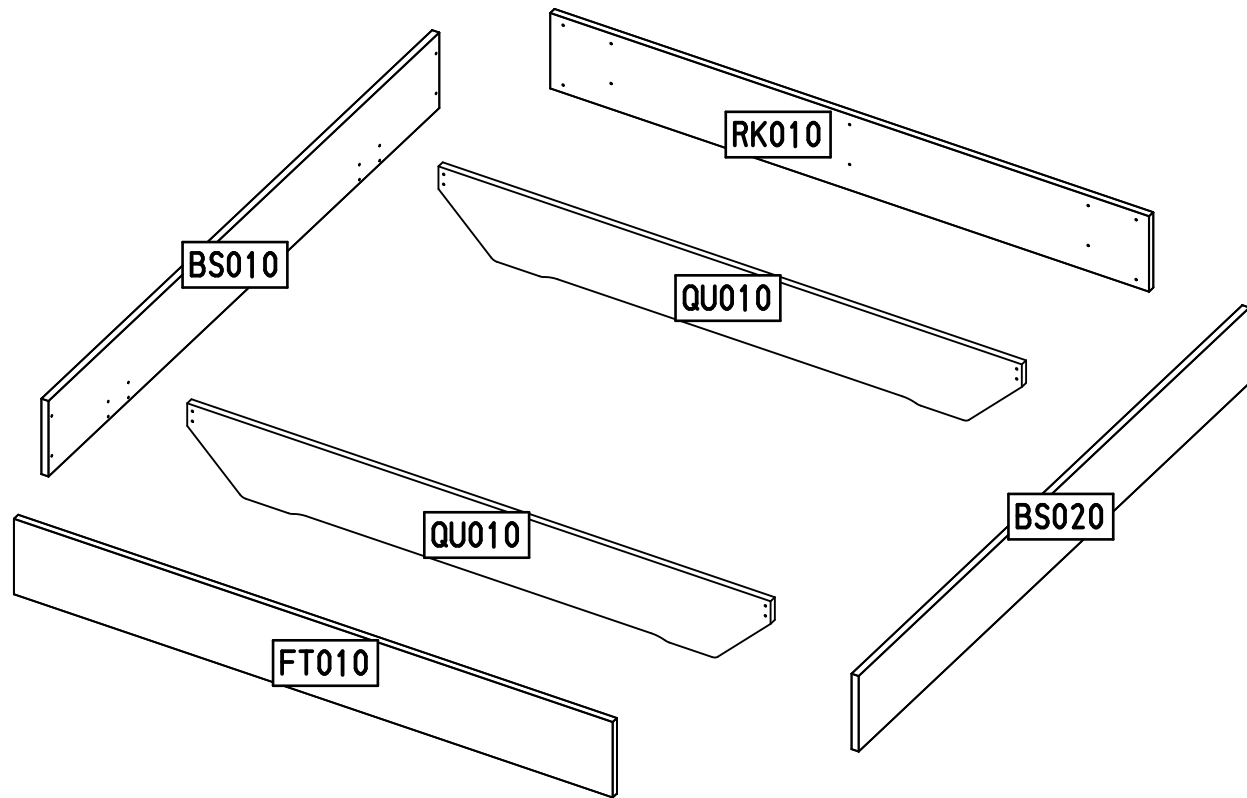
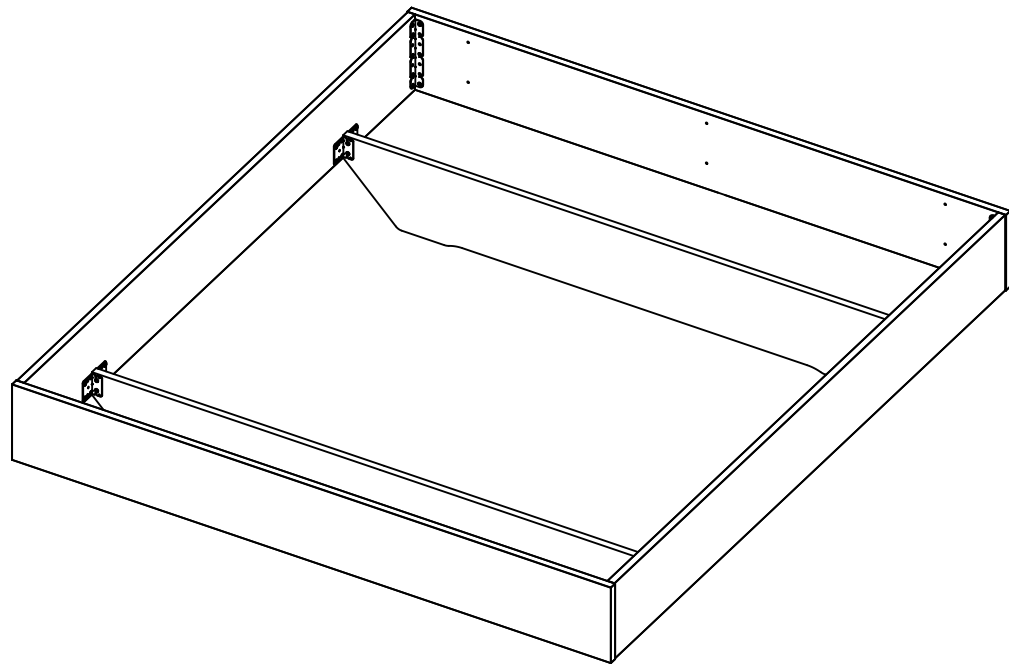
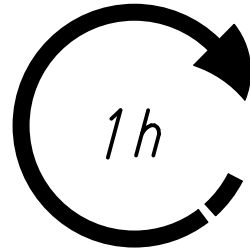
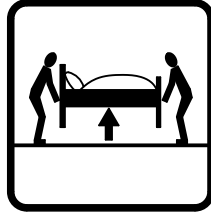
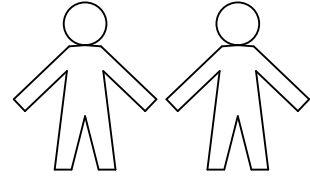
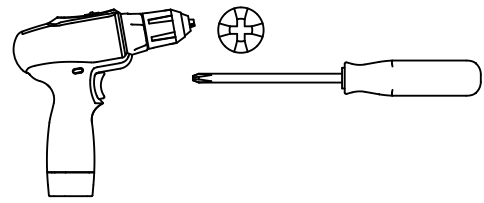


1.

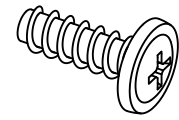
M2361_02

rauch



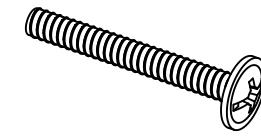
2.

30x (25)



6,3x18

8x (56)



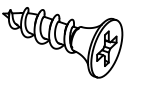
M4x32

8x (176)



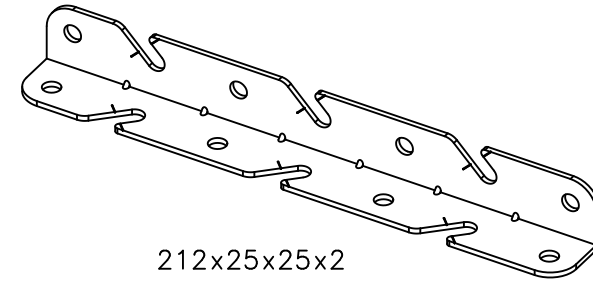
M4

30x (202)



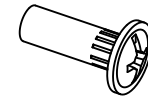
4,5x16

4x (456)



212x25x25x2

4x (580)



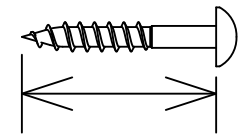
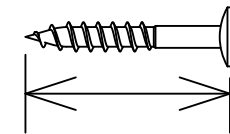
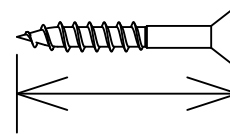
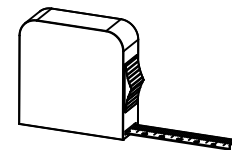
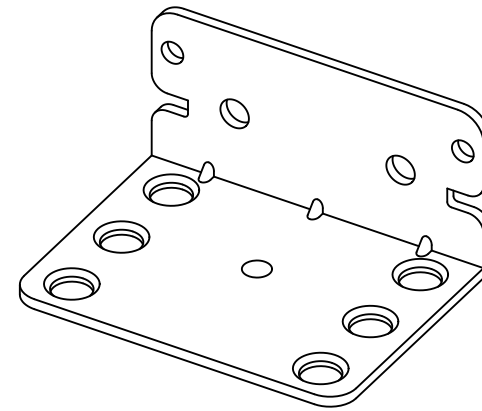
M4x15

4x (803)



M4x12

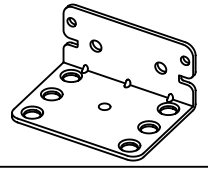
8x (856)



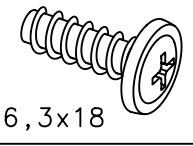
3.

1

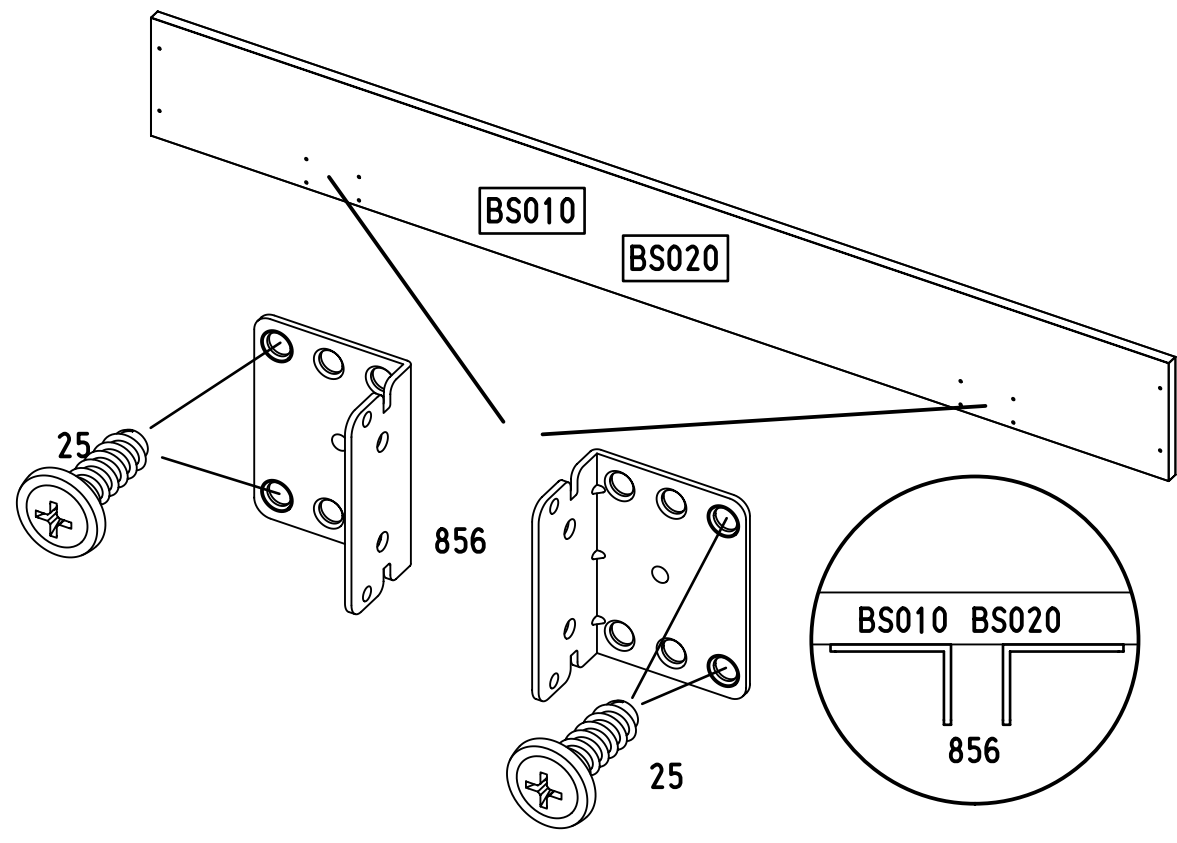
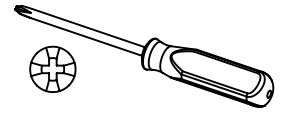
8x 856



16x 25



6,3x18

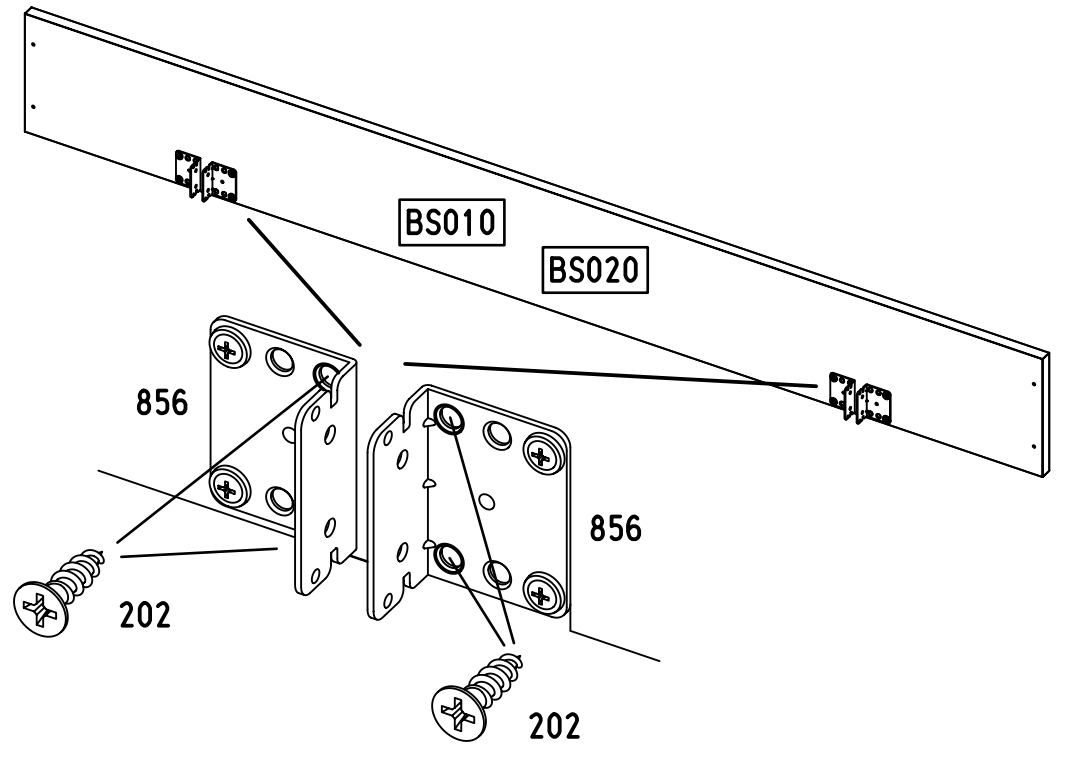
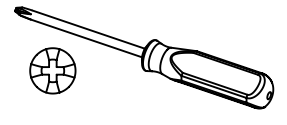


2

16x 202



4.5x16

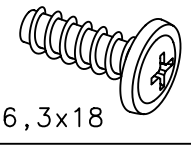


M2361

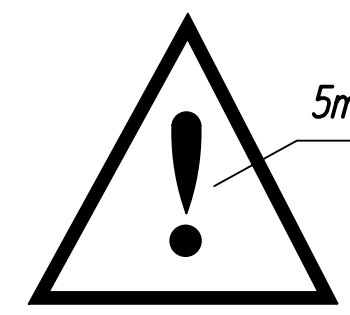
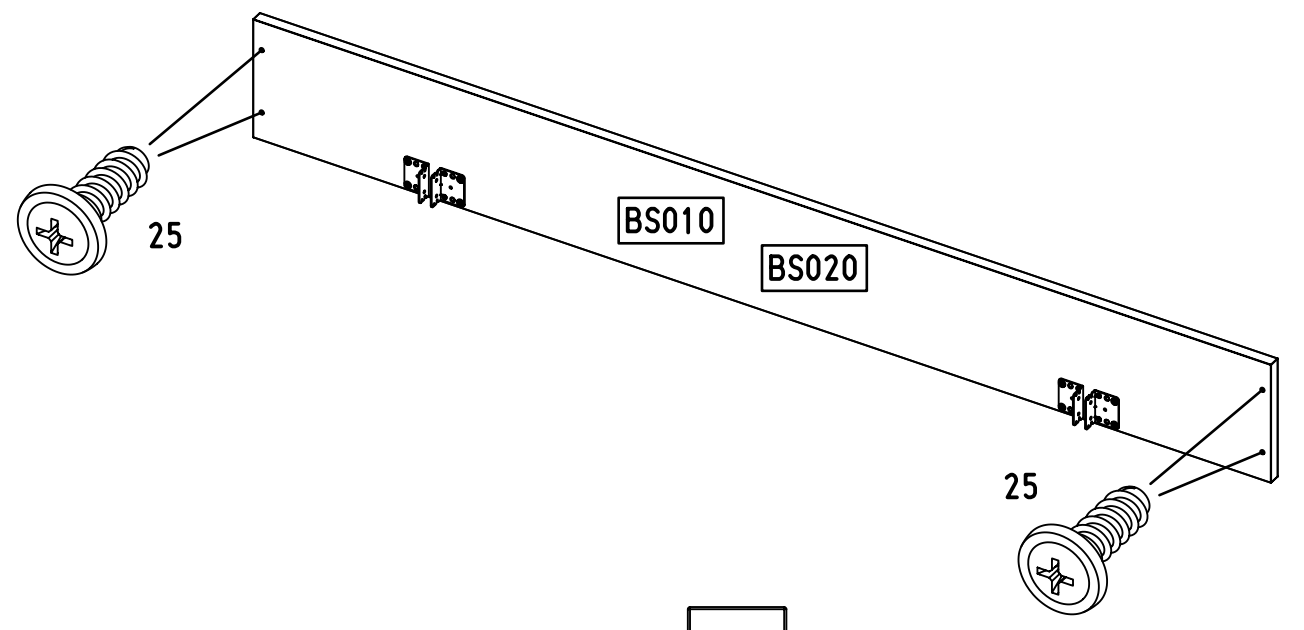
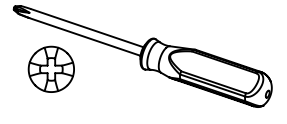
4.

3

8x 25



6,3x18



5mm

25

BS010
BS020

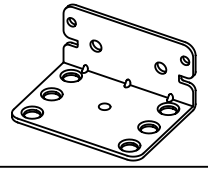
25

M2361

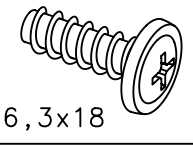
3.

1

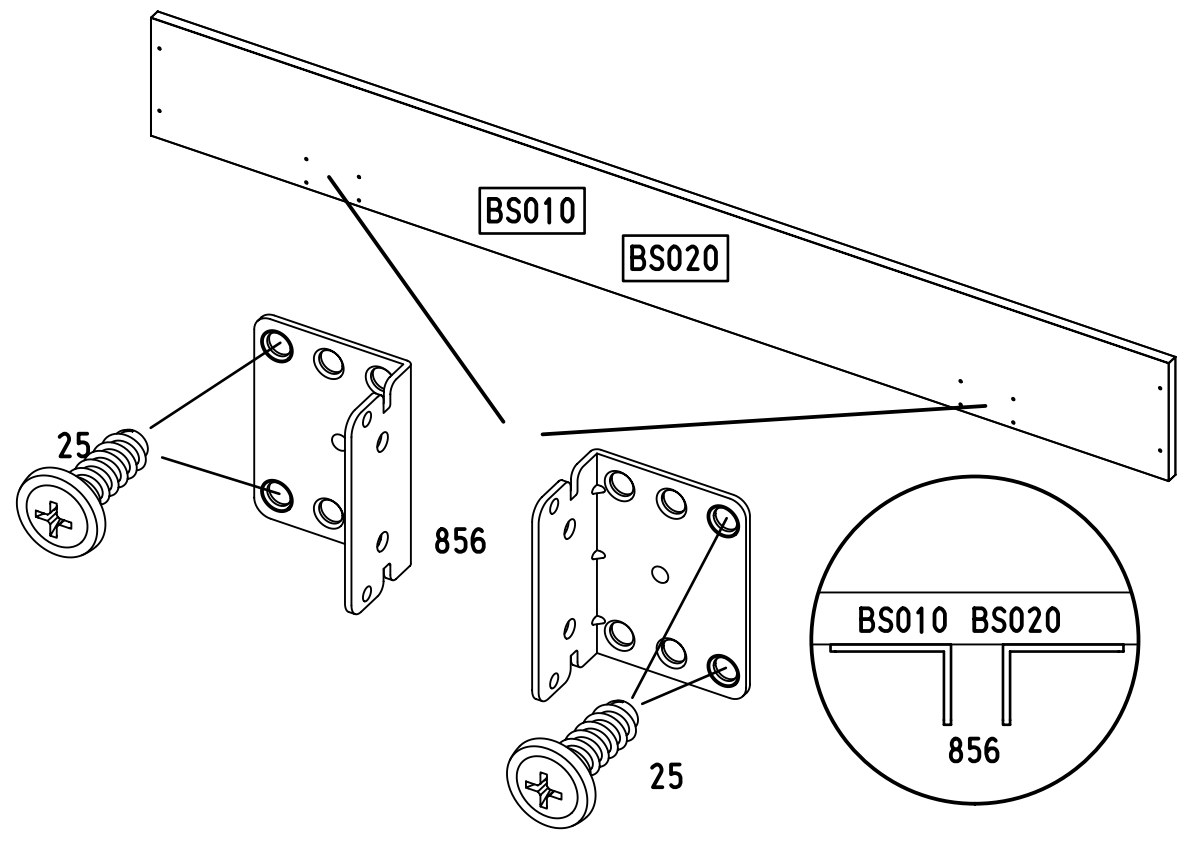
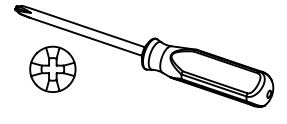
8x 856



16x 25



6,3x18

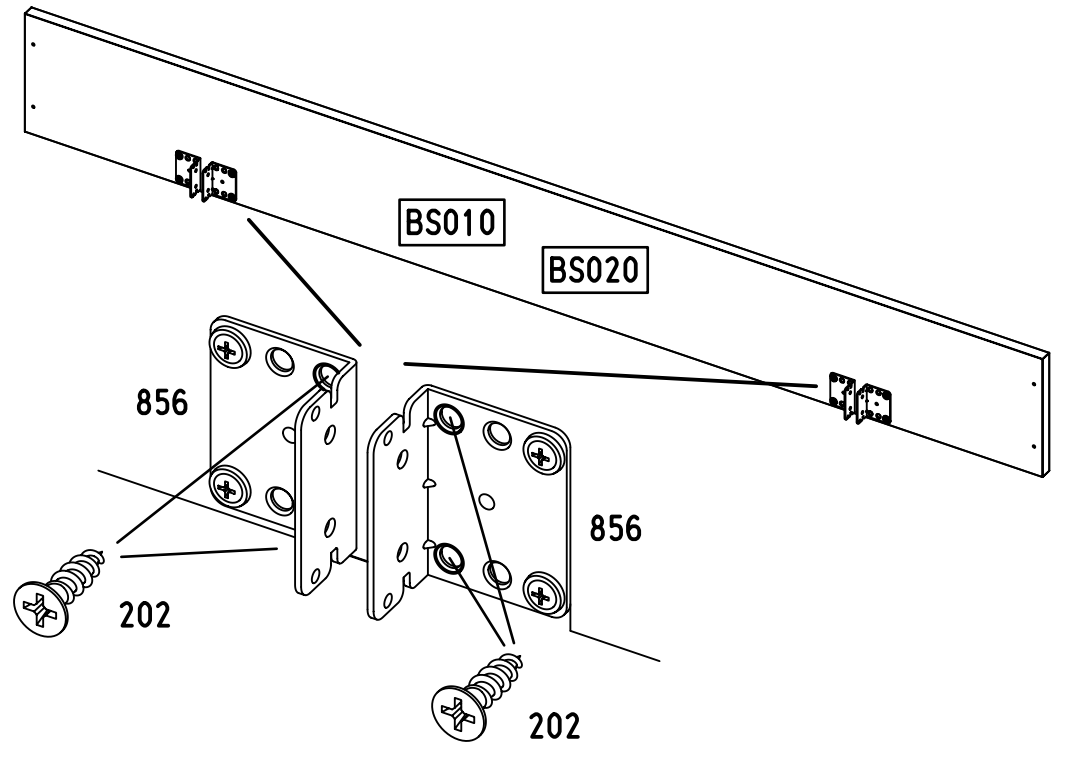
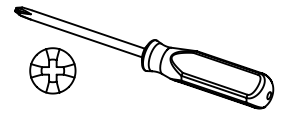


2

16x 202



4.5x16

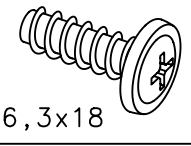


M2361

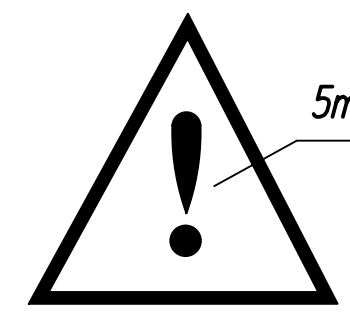
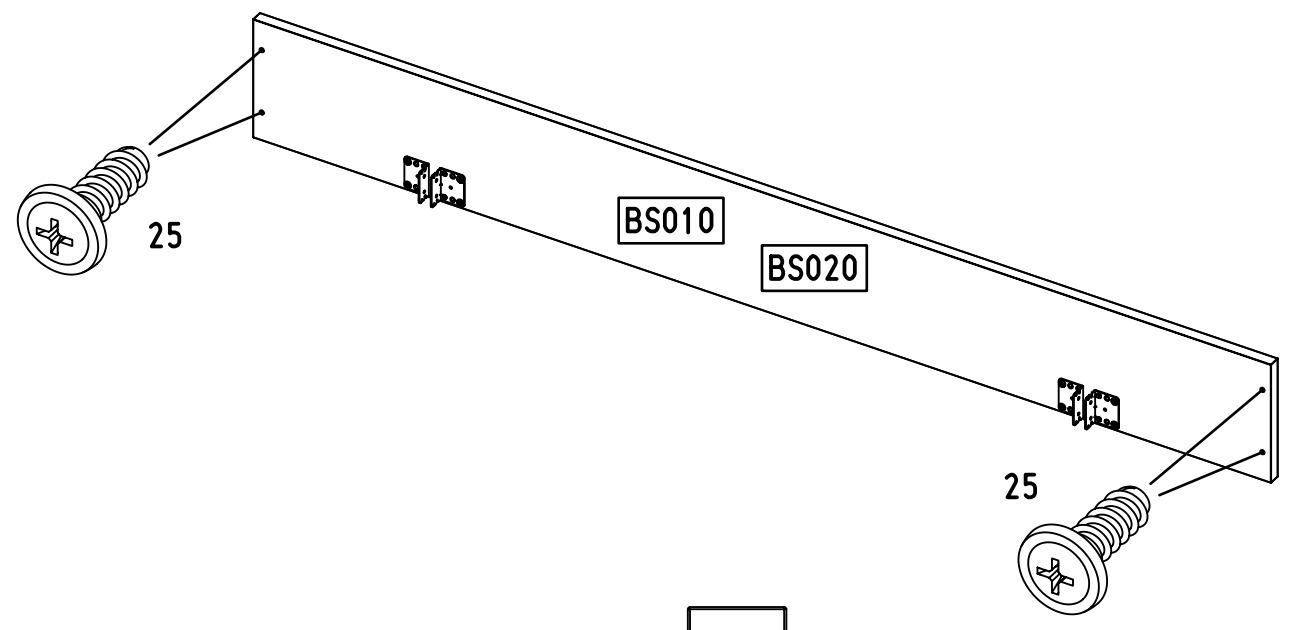
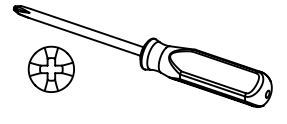
4.

3

8x 25



6,3x18



5mm

25

BS010
BS020

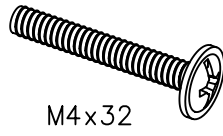
25

M2361

5.

4

8x 56

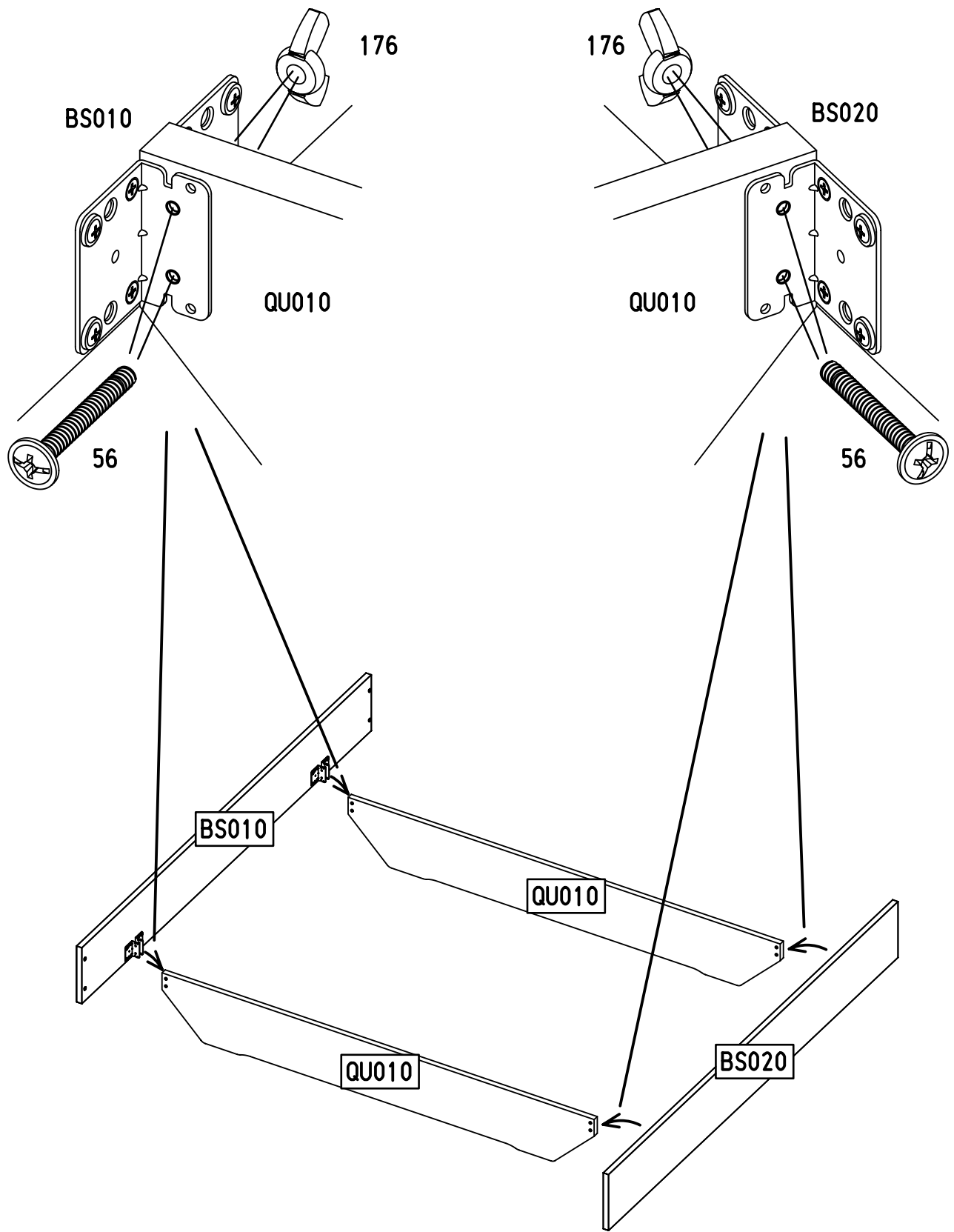
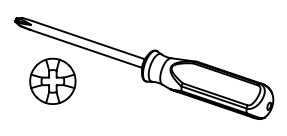


M4x32

8x 176



M4

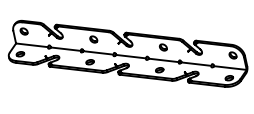


M2361

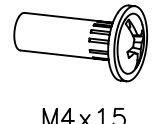
6.

5

2x 456

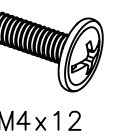


4x 580

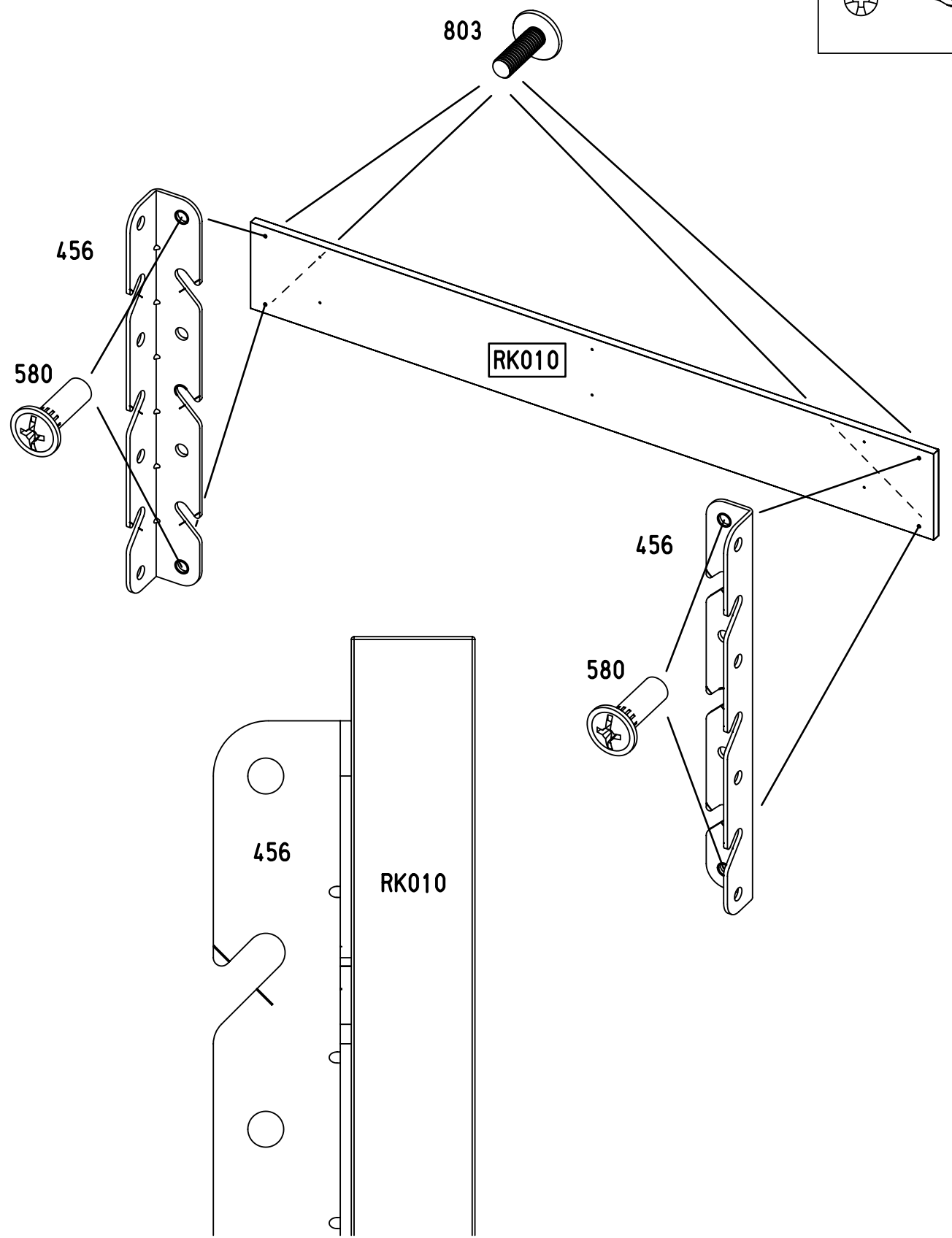
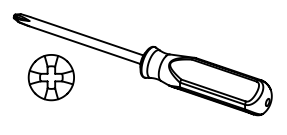


M4x15

4x 803



M4x12

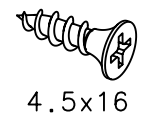


M2361

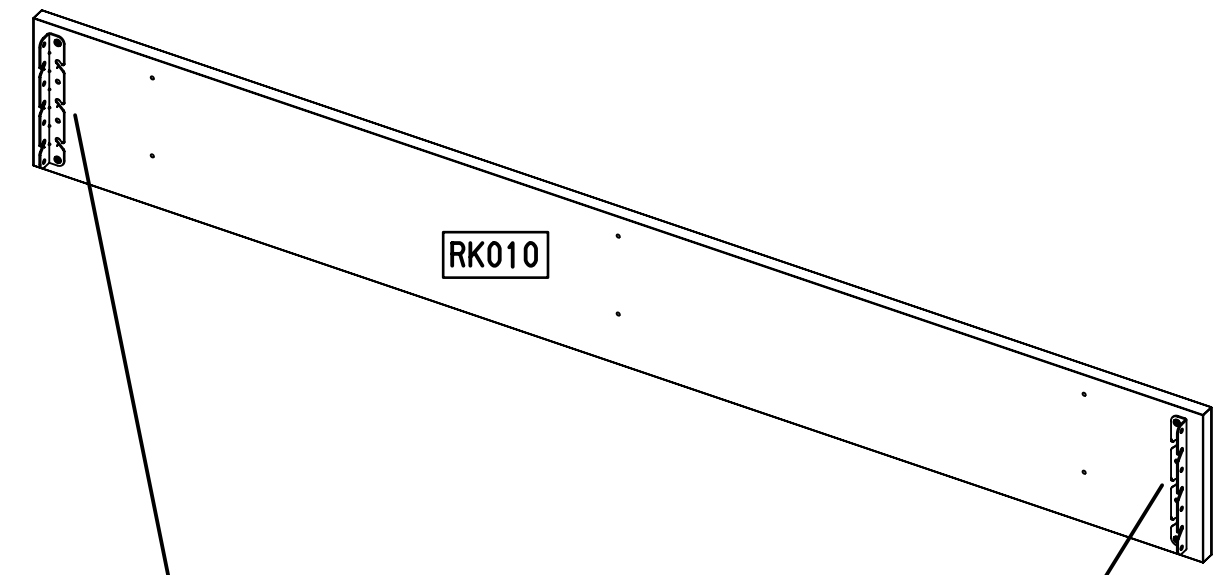
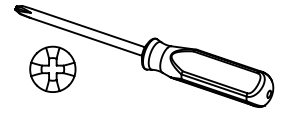
7.

6

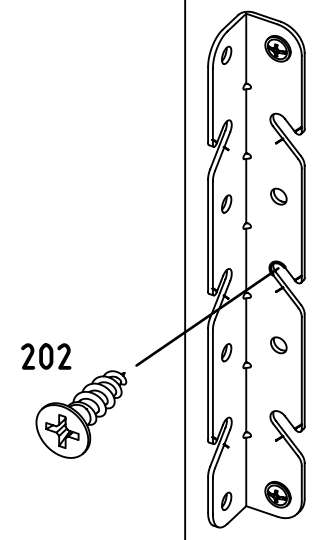
2x 202



4.5x16

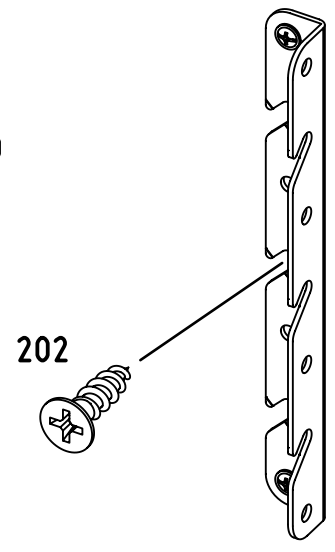


RK010



202

RK010

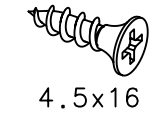


202

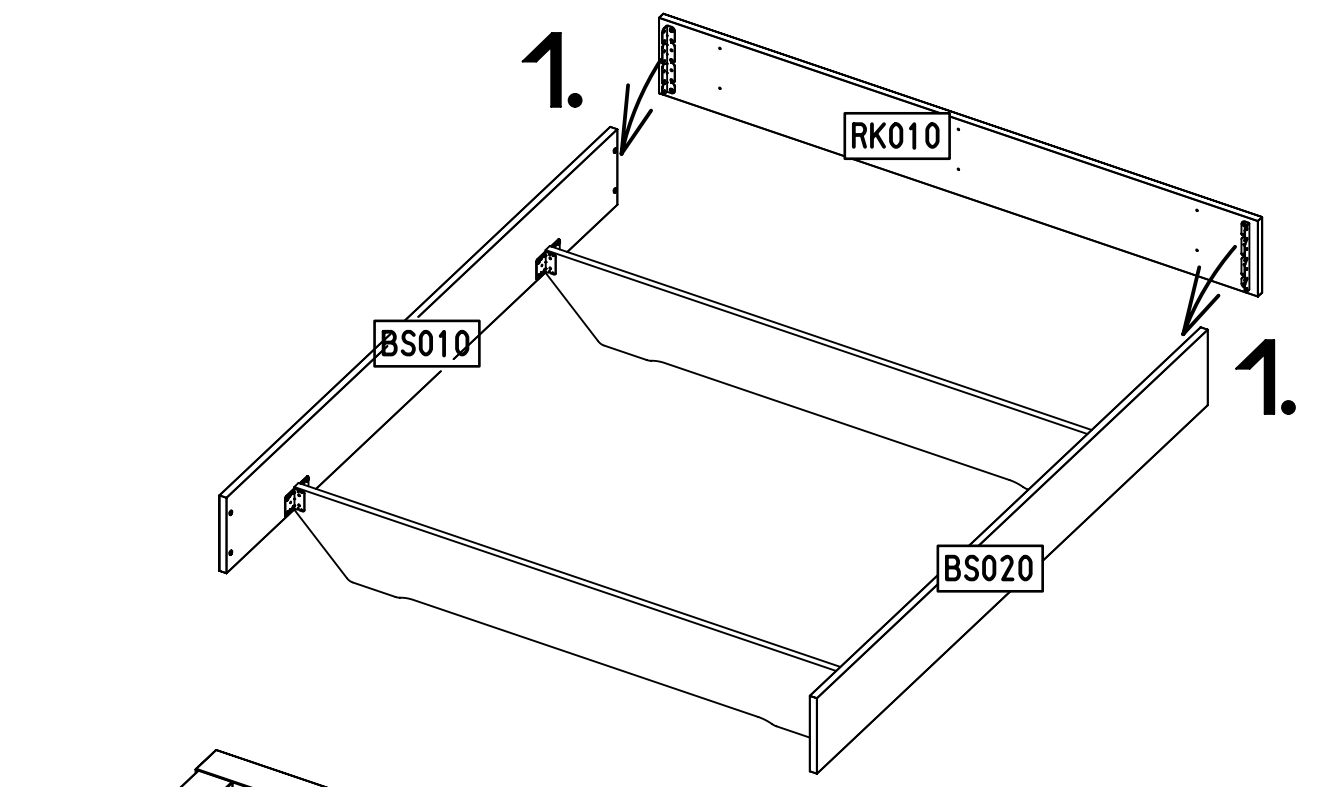
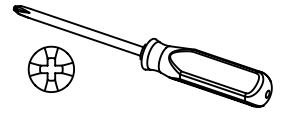
8.

7

6x 202



4.5x16



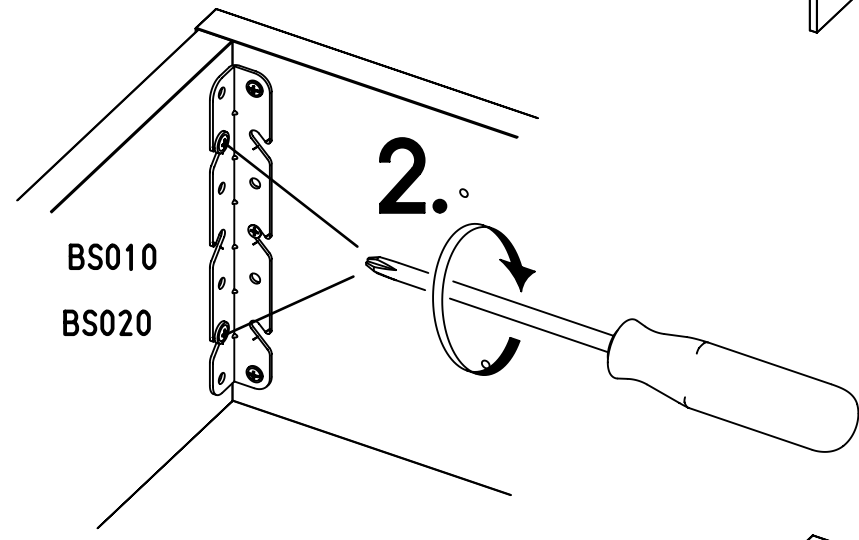
1.

RK010

BS010

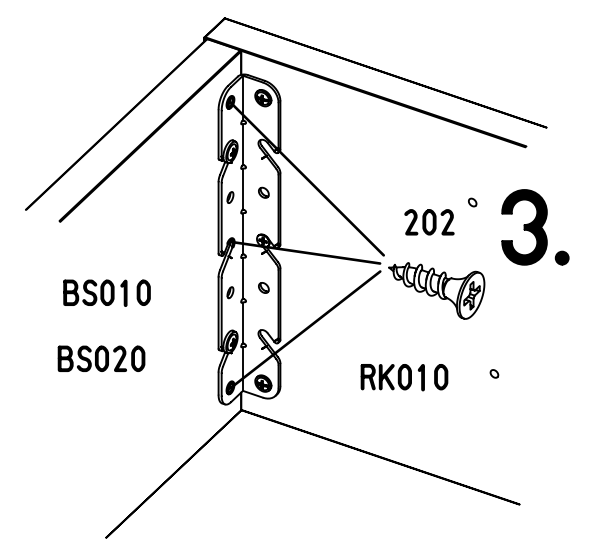
BS020

1.



2.

BS010
BS020



3.

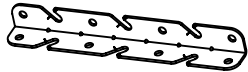
BS010
BS020

RK010

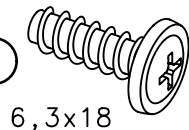
9.

8

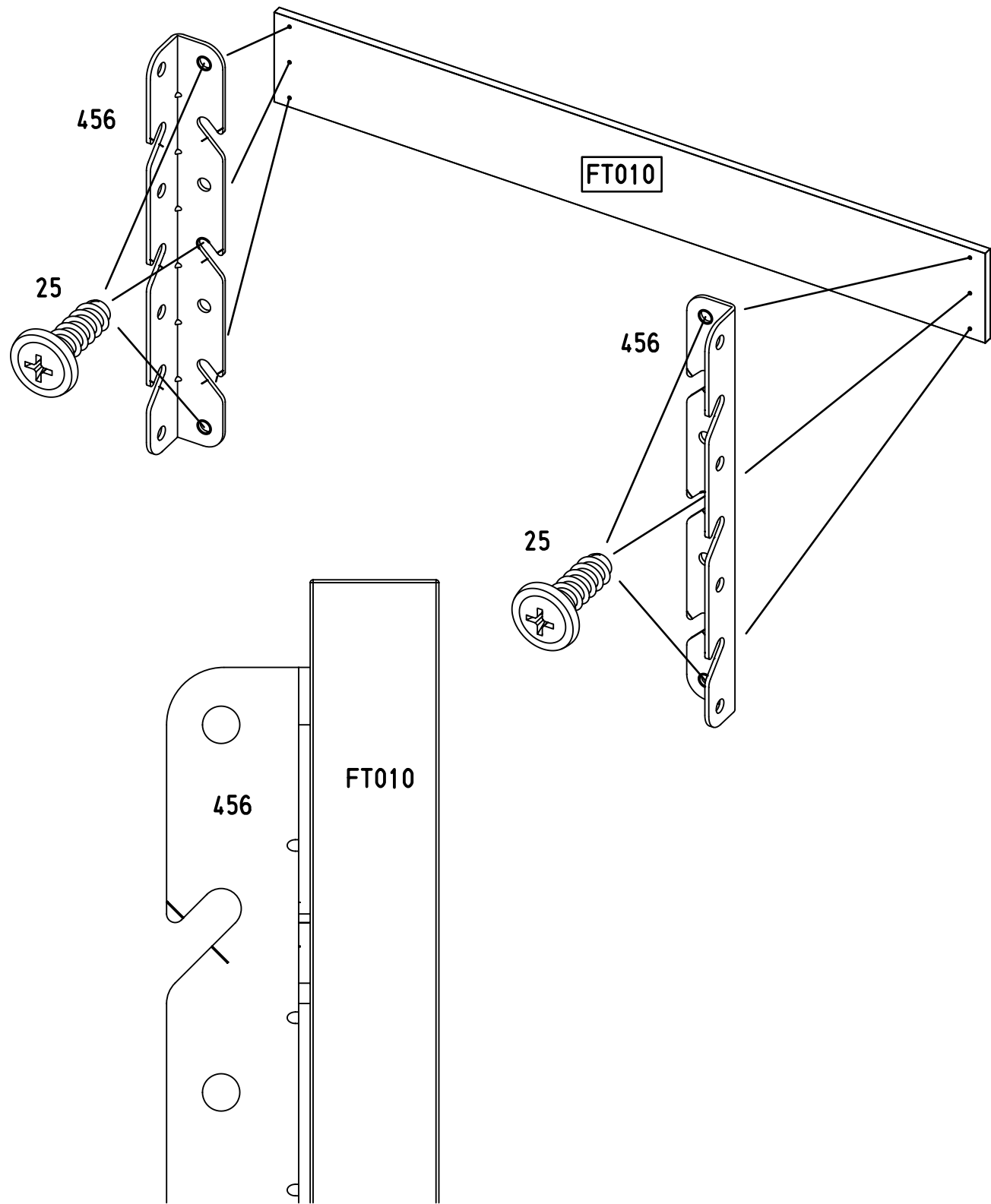
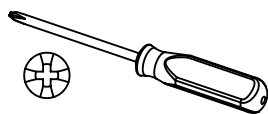
2x 456



6x 25



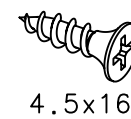
6,3x18



10.

9

6x 202



4.5x16

