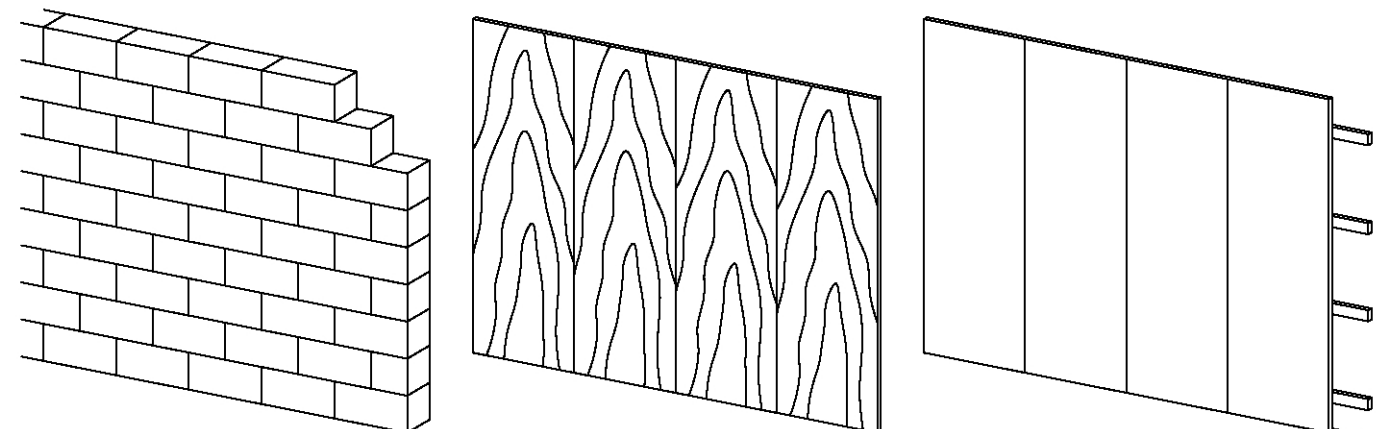
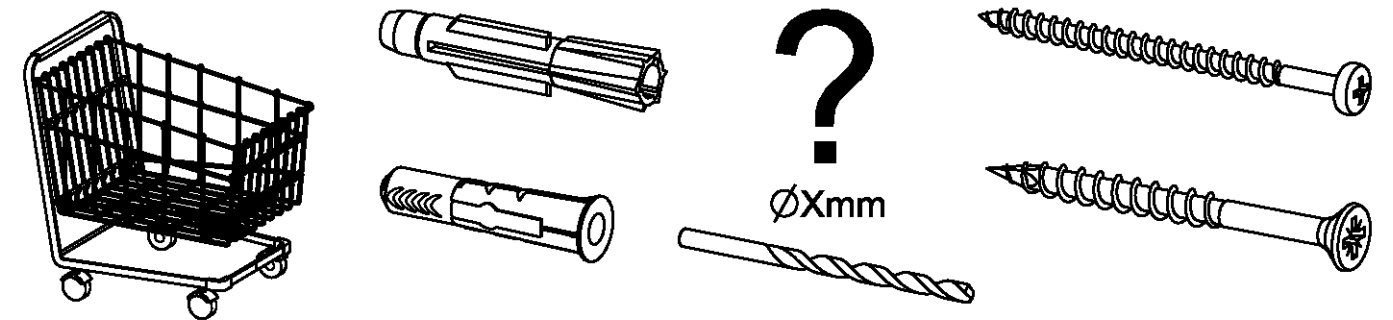
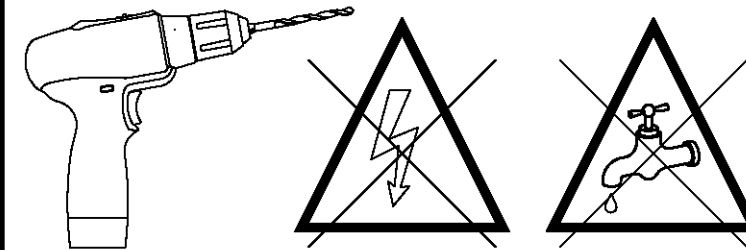
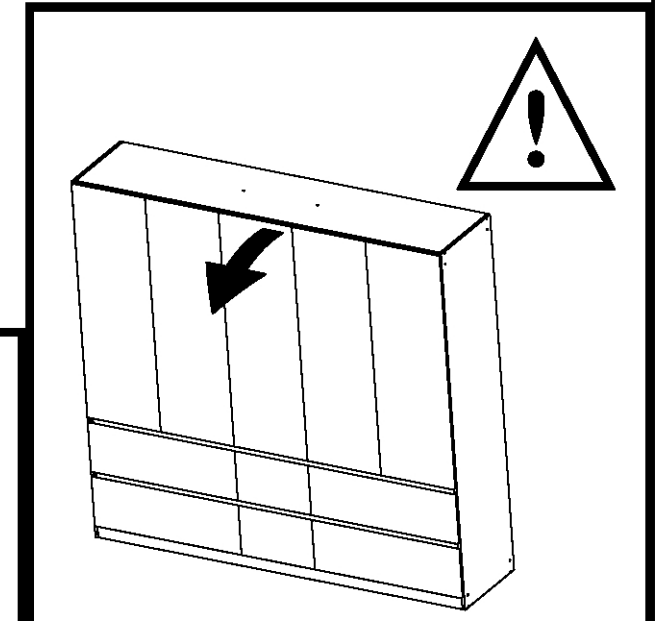
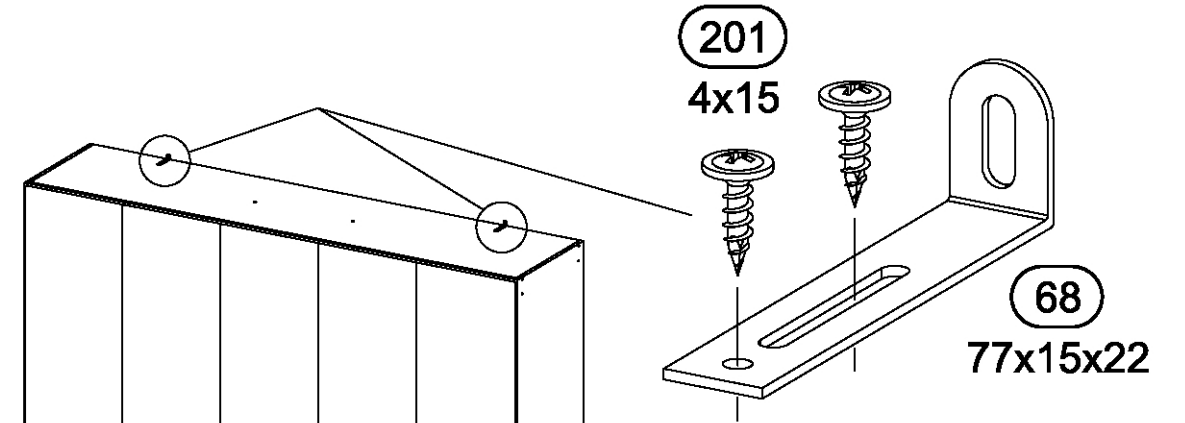
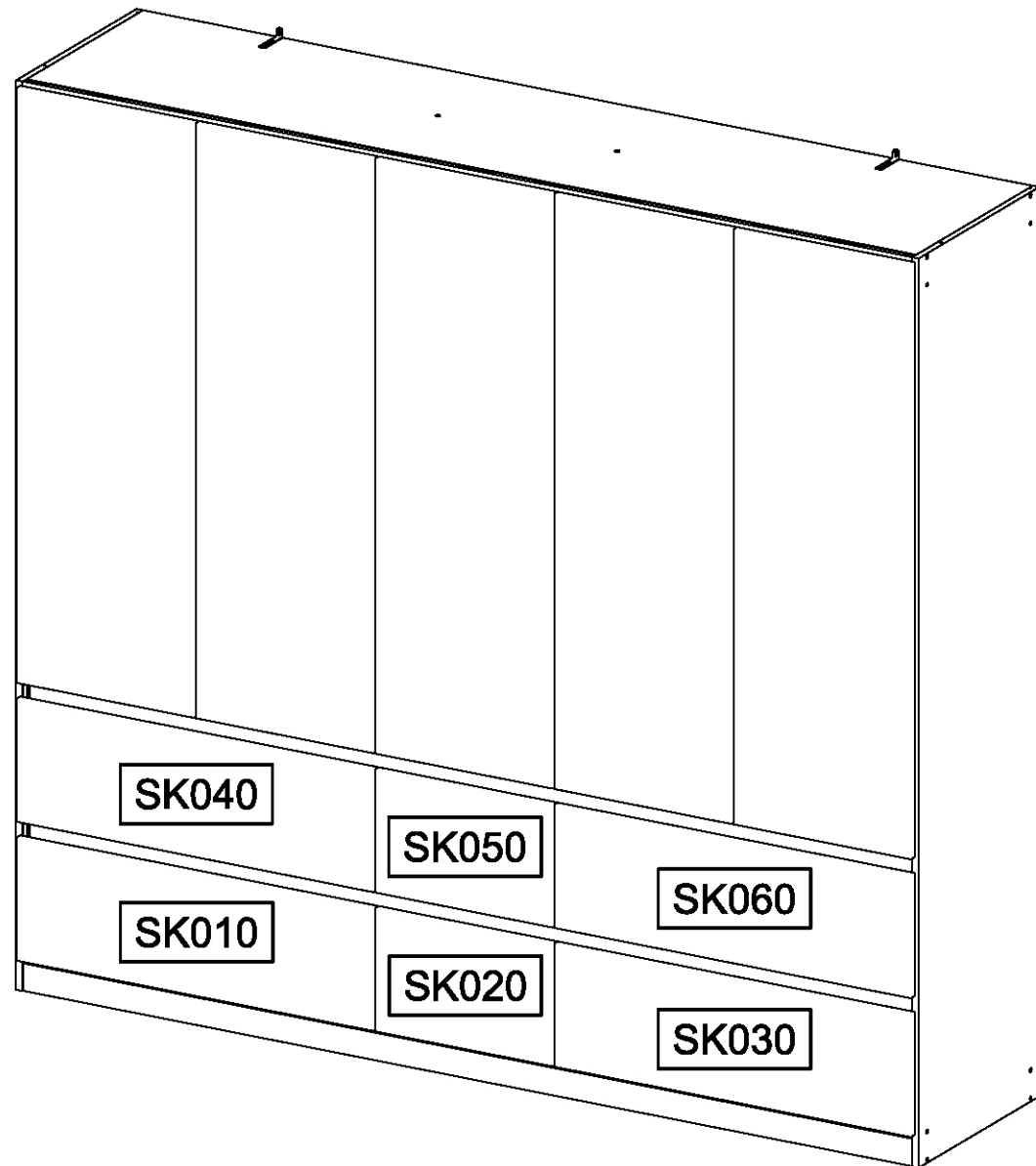
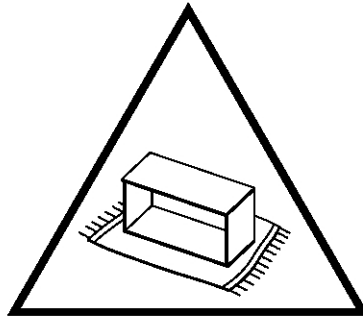
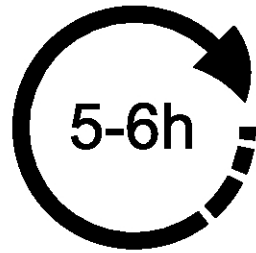
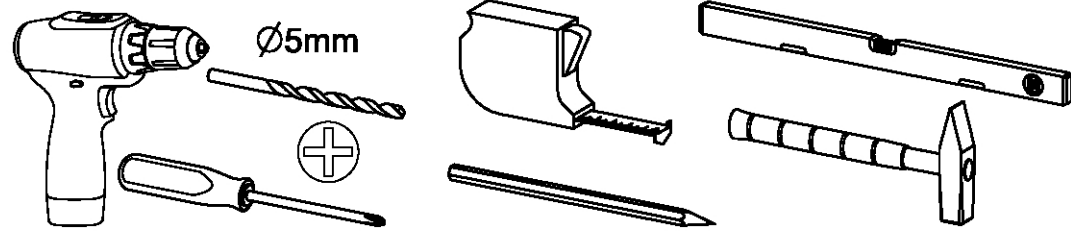
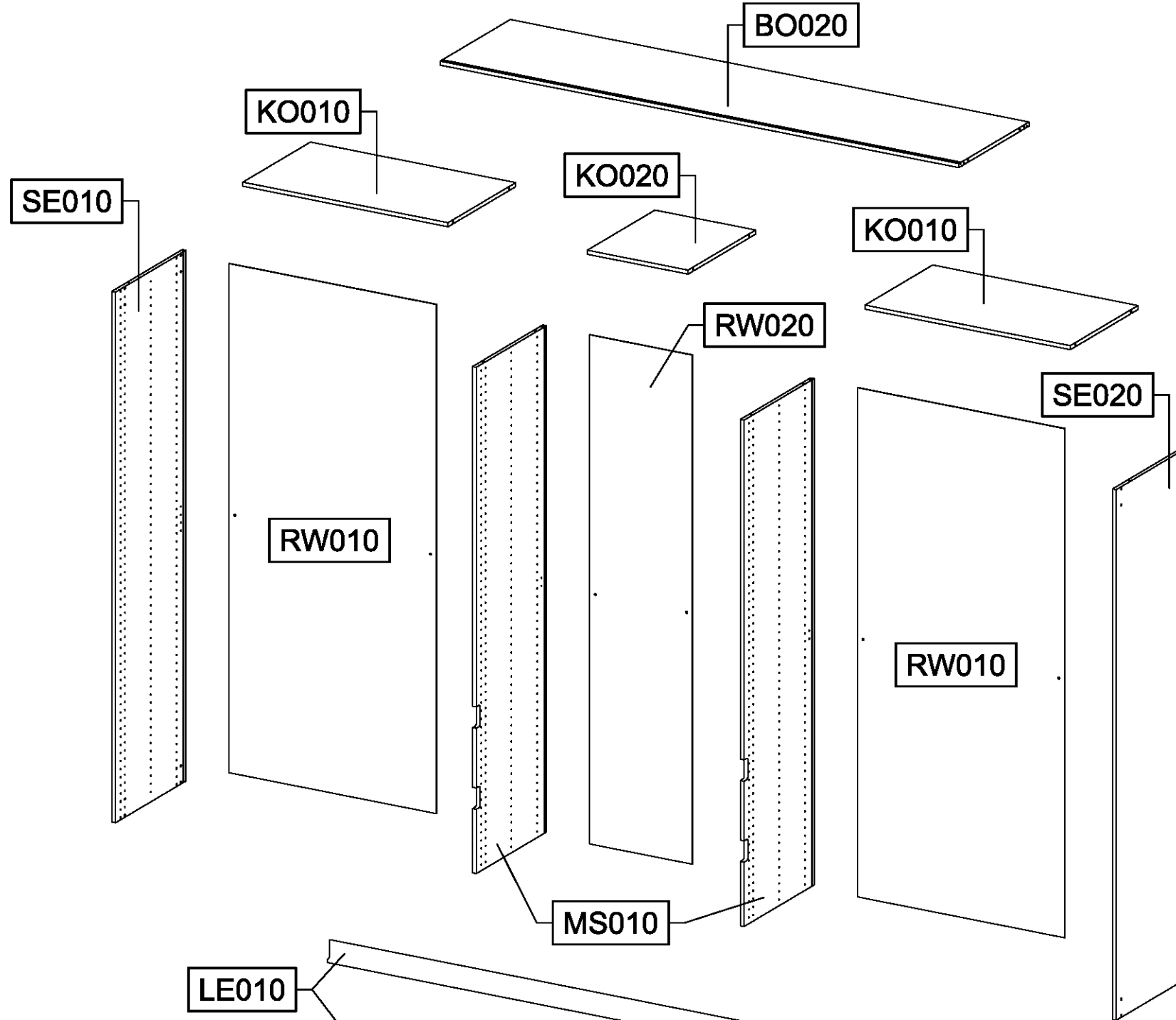
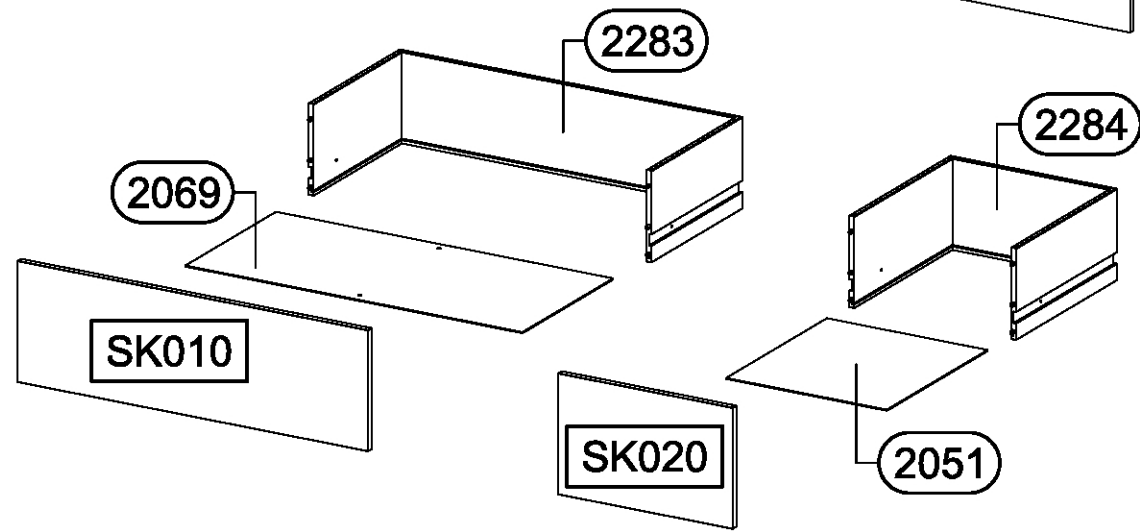
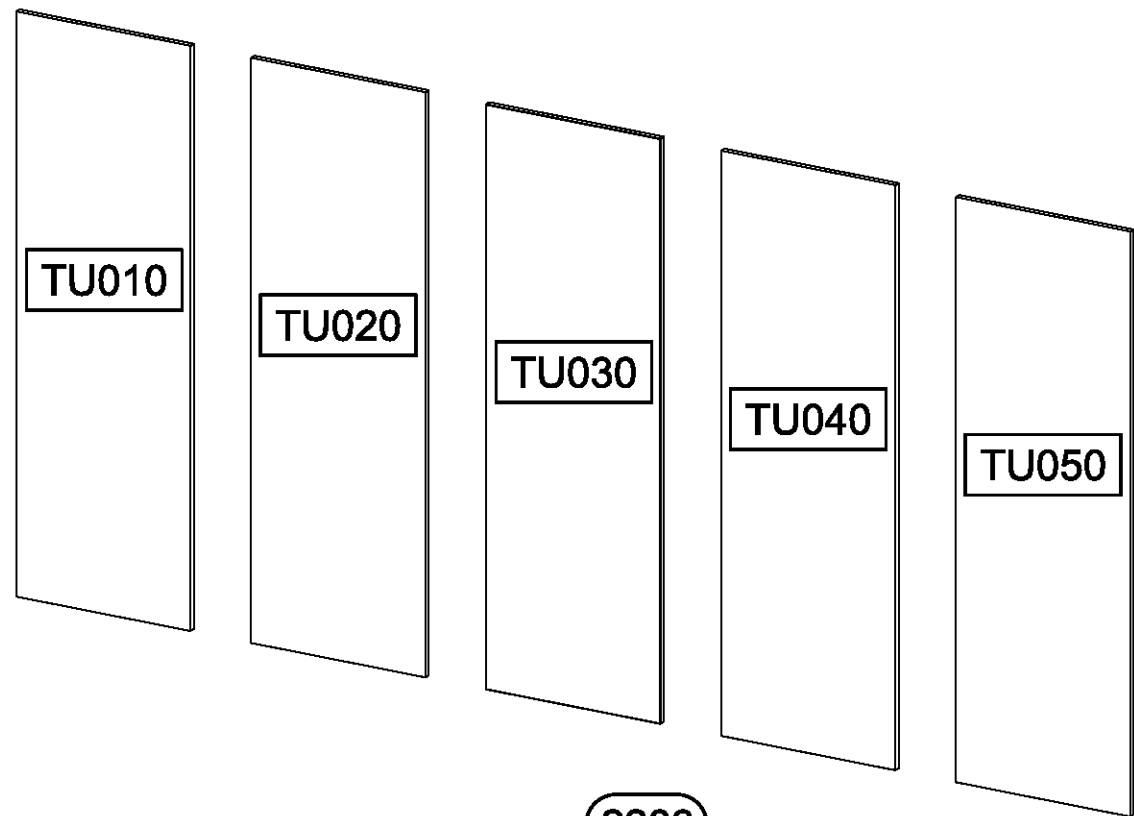


M2550_01

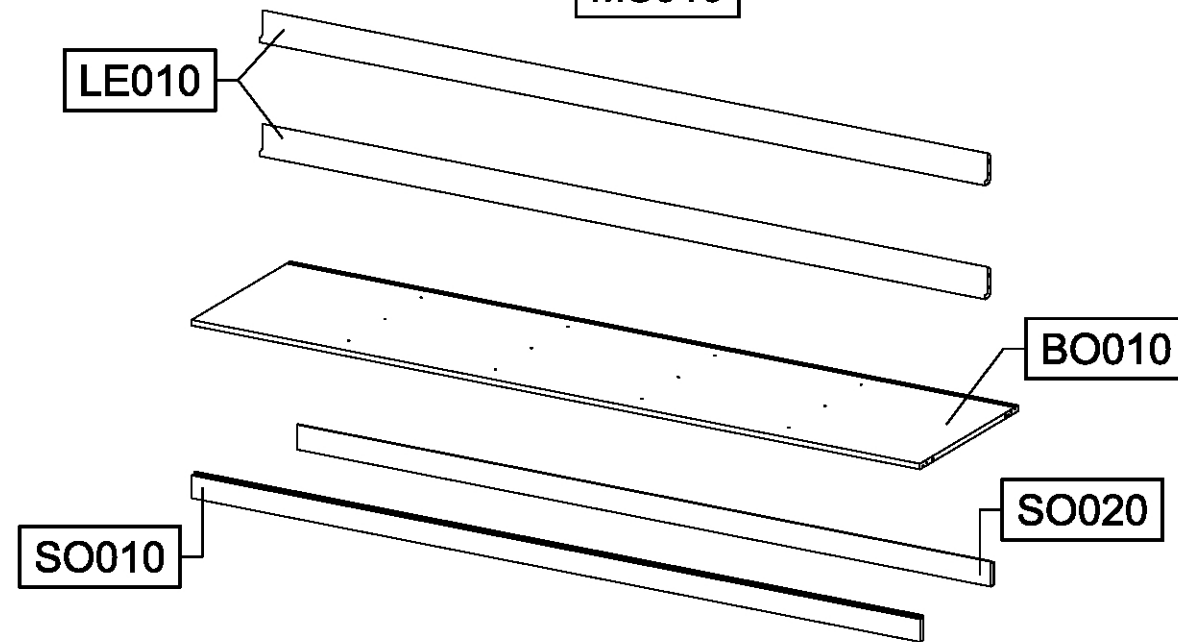
rauch

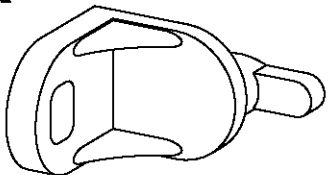
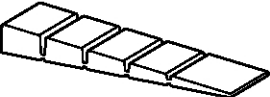


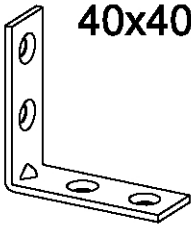
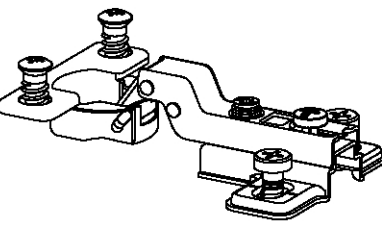
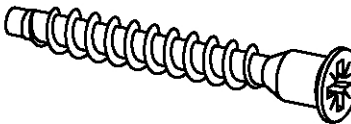


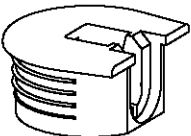
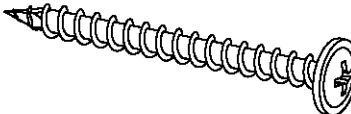

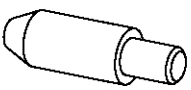

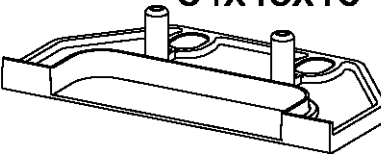

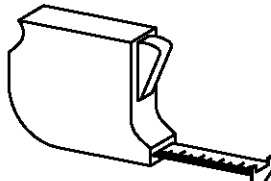
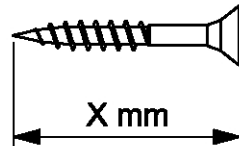
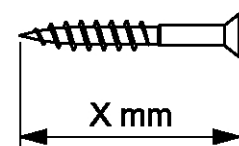
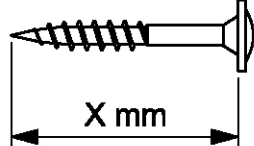


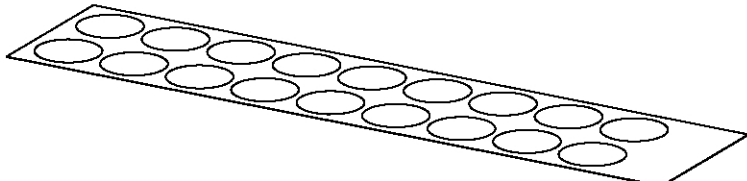
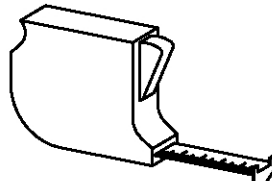
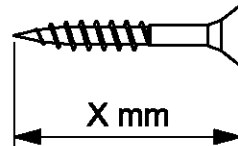
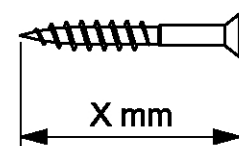
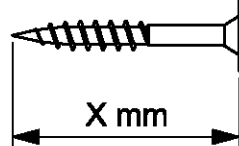


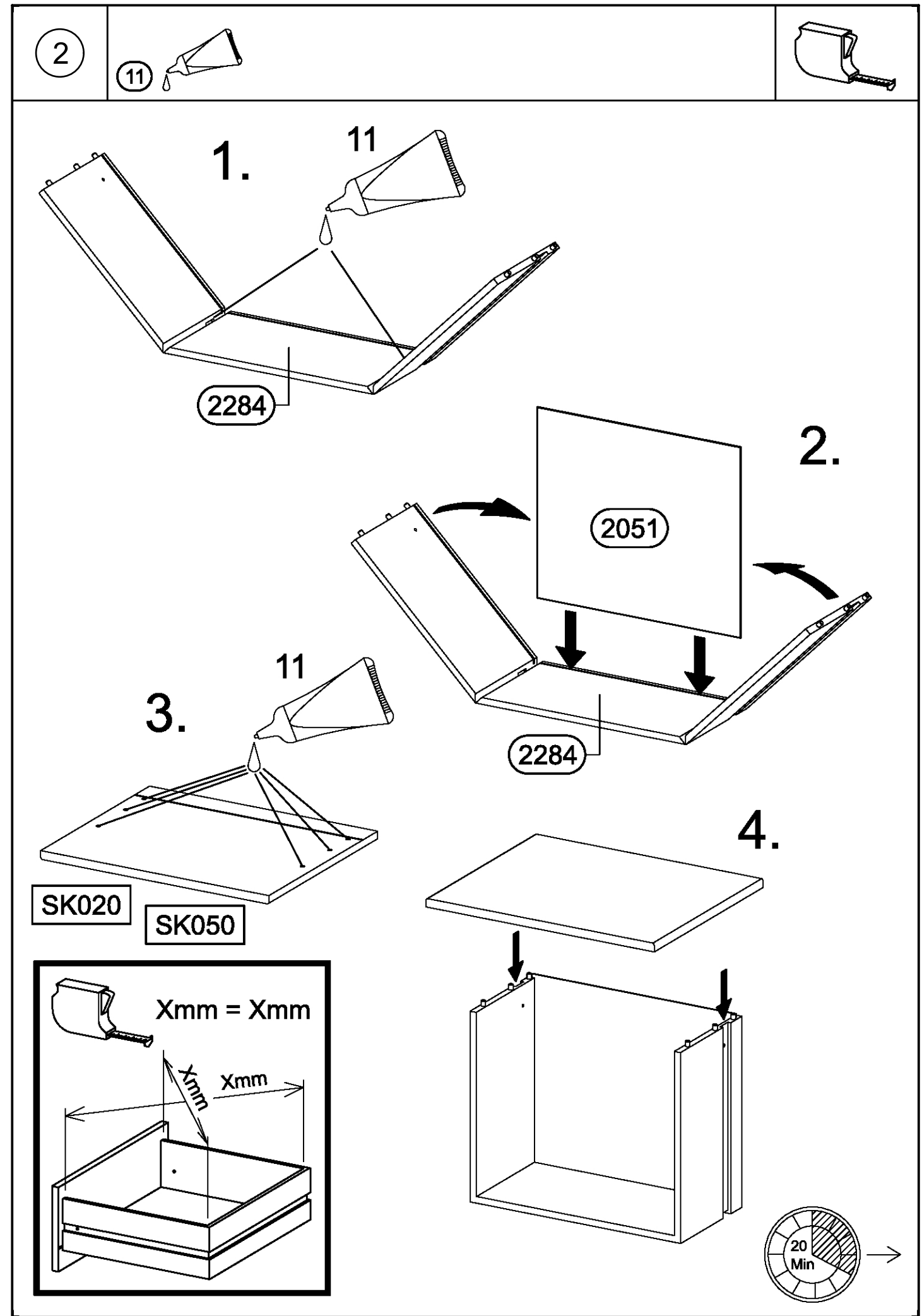
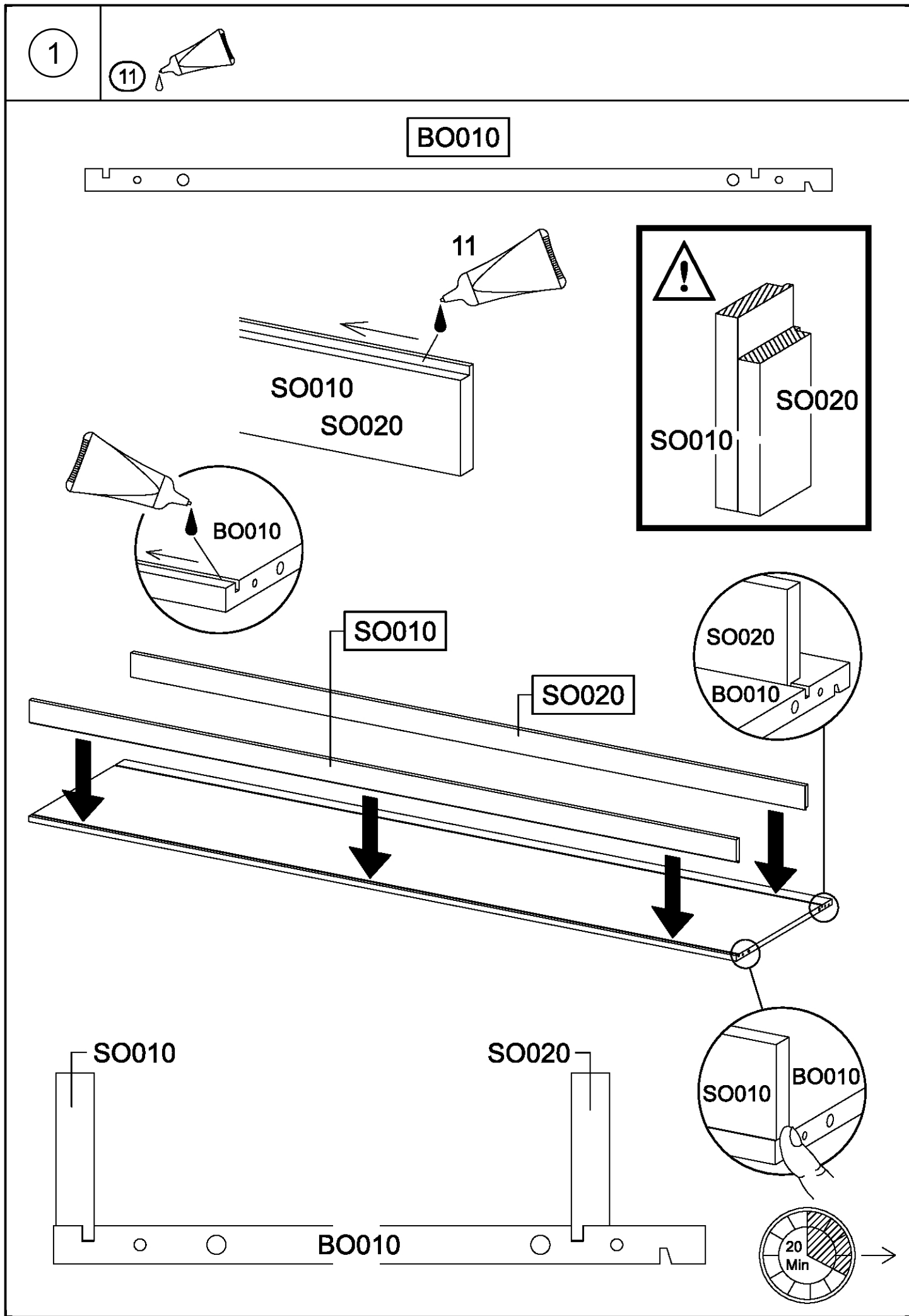
SK010 = SK030 = SK040 = SK060

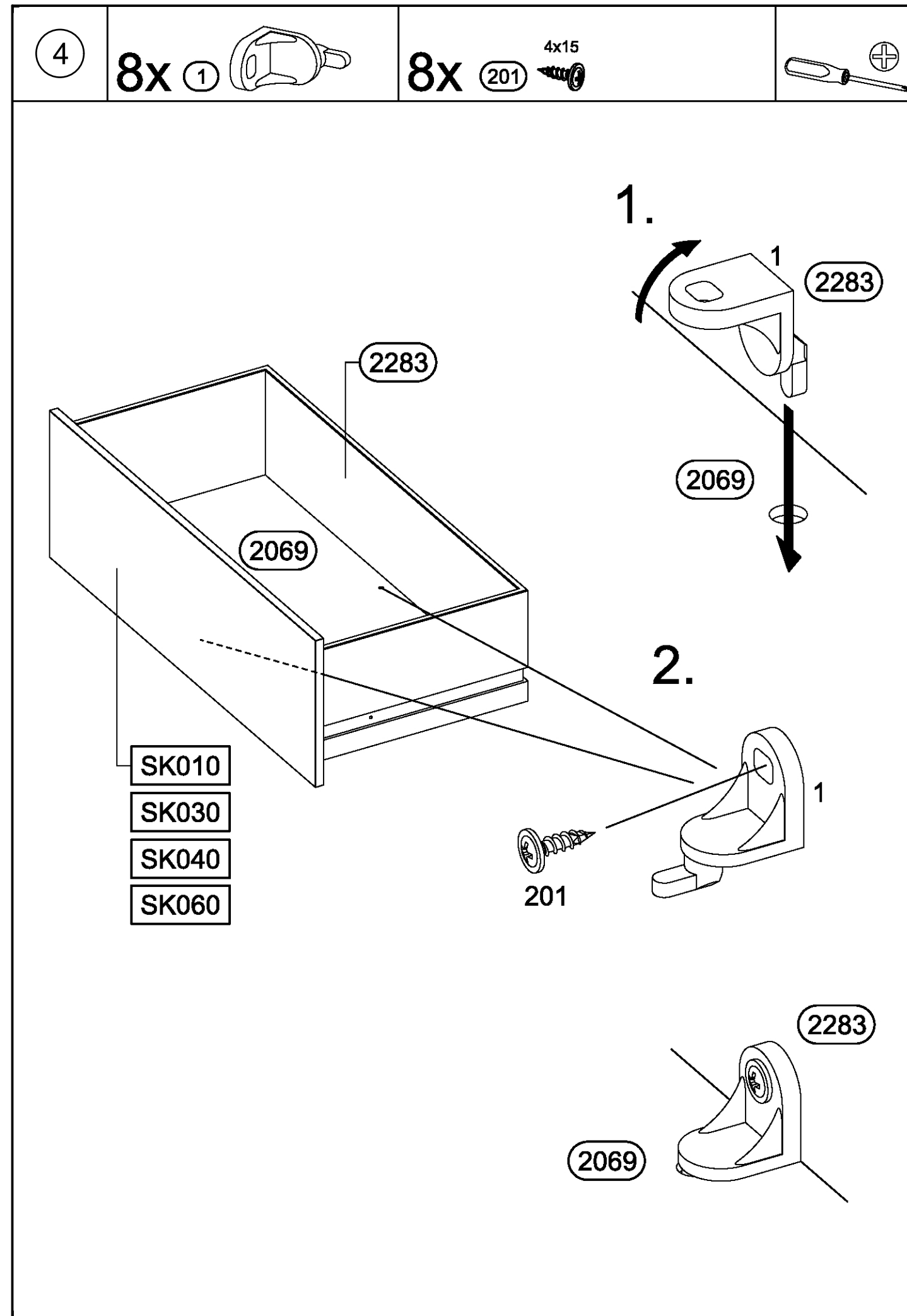
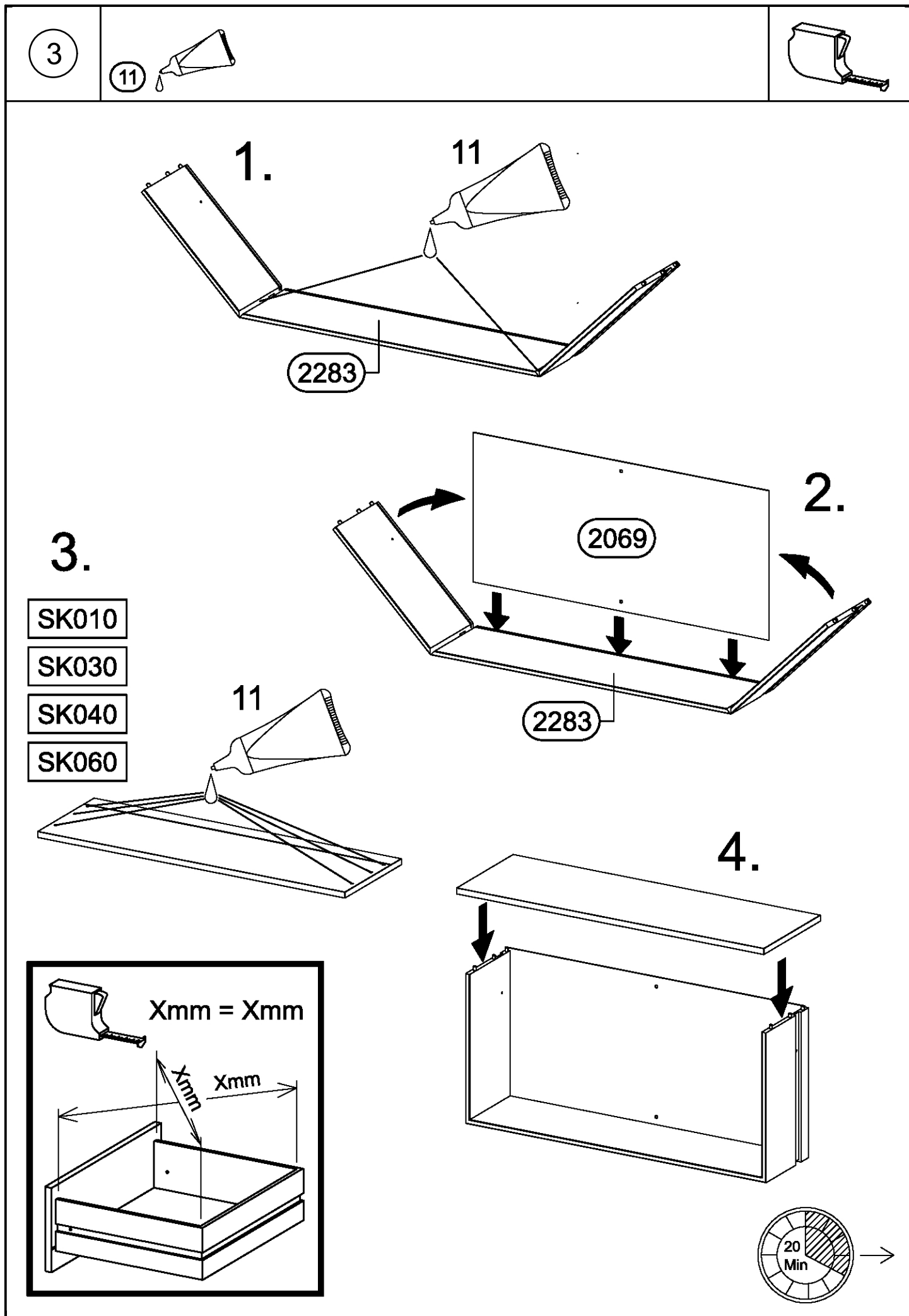
SK020 = SK050

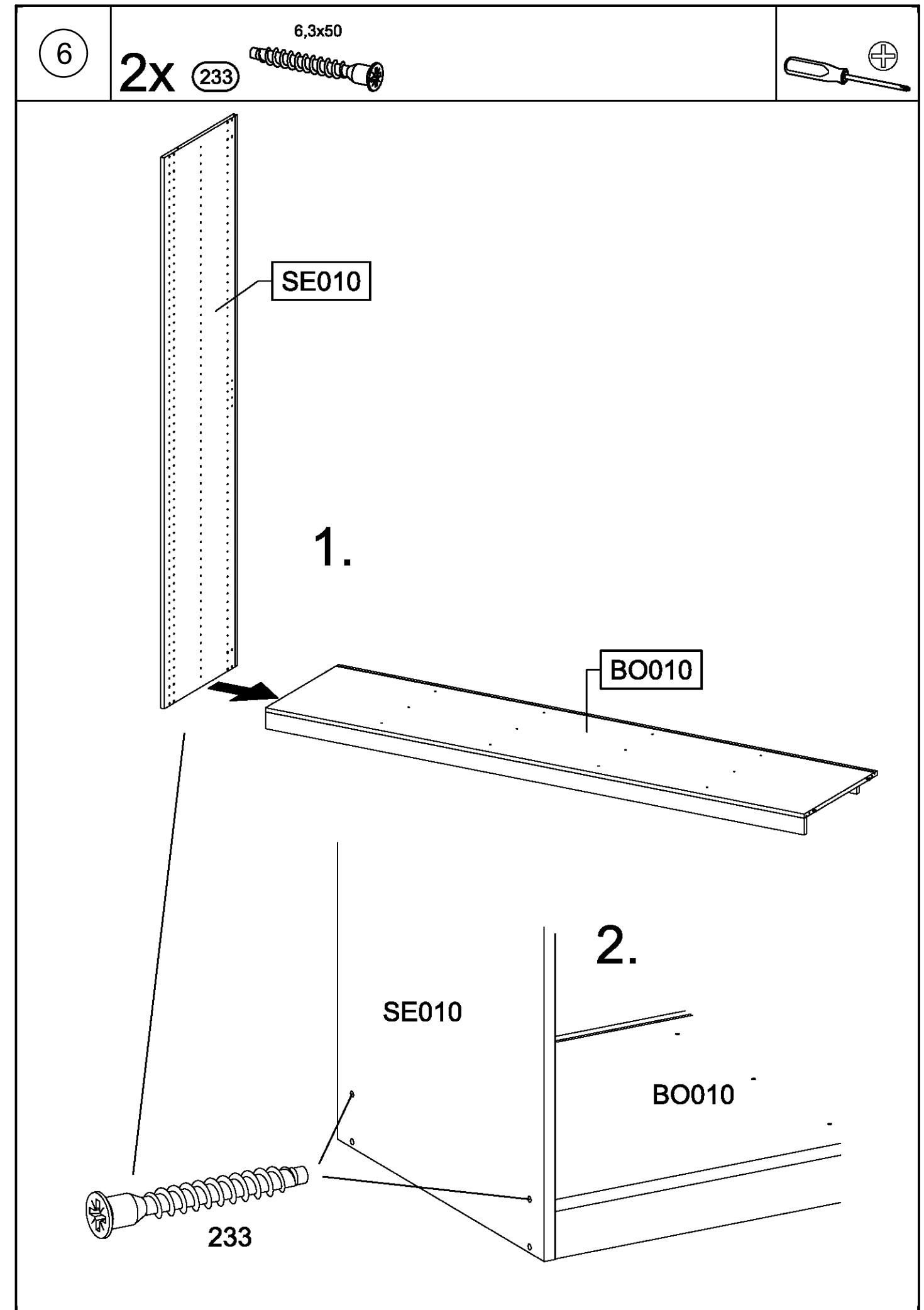
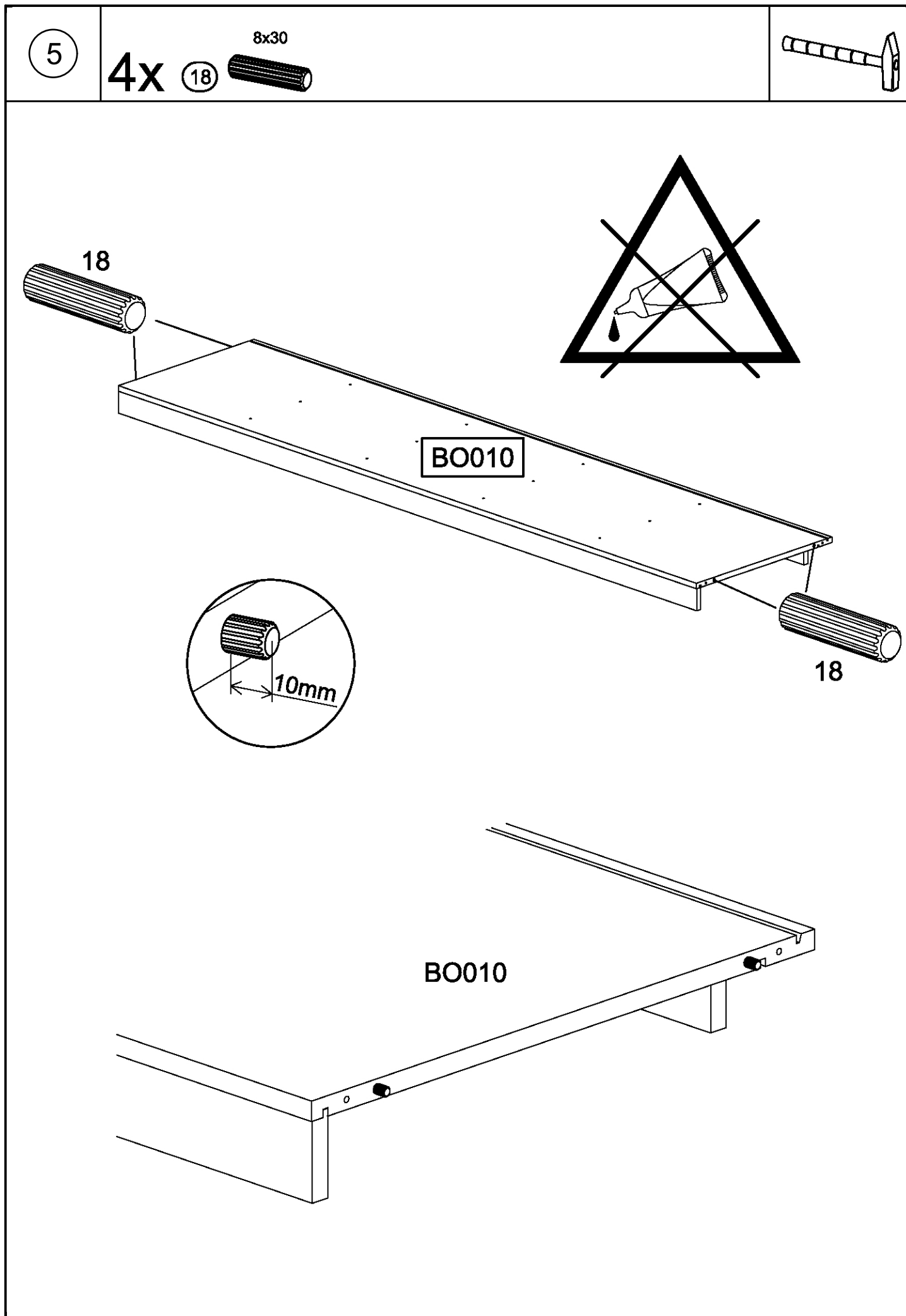


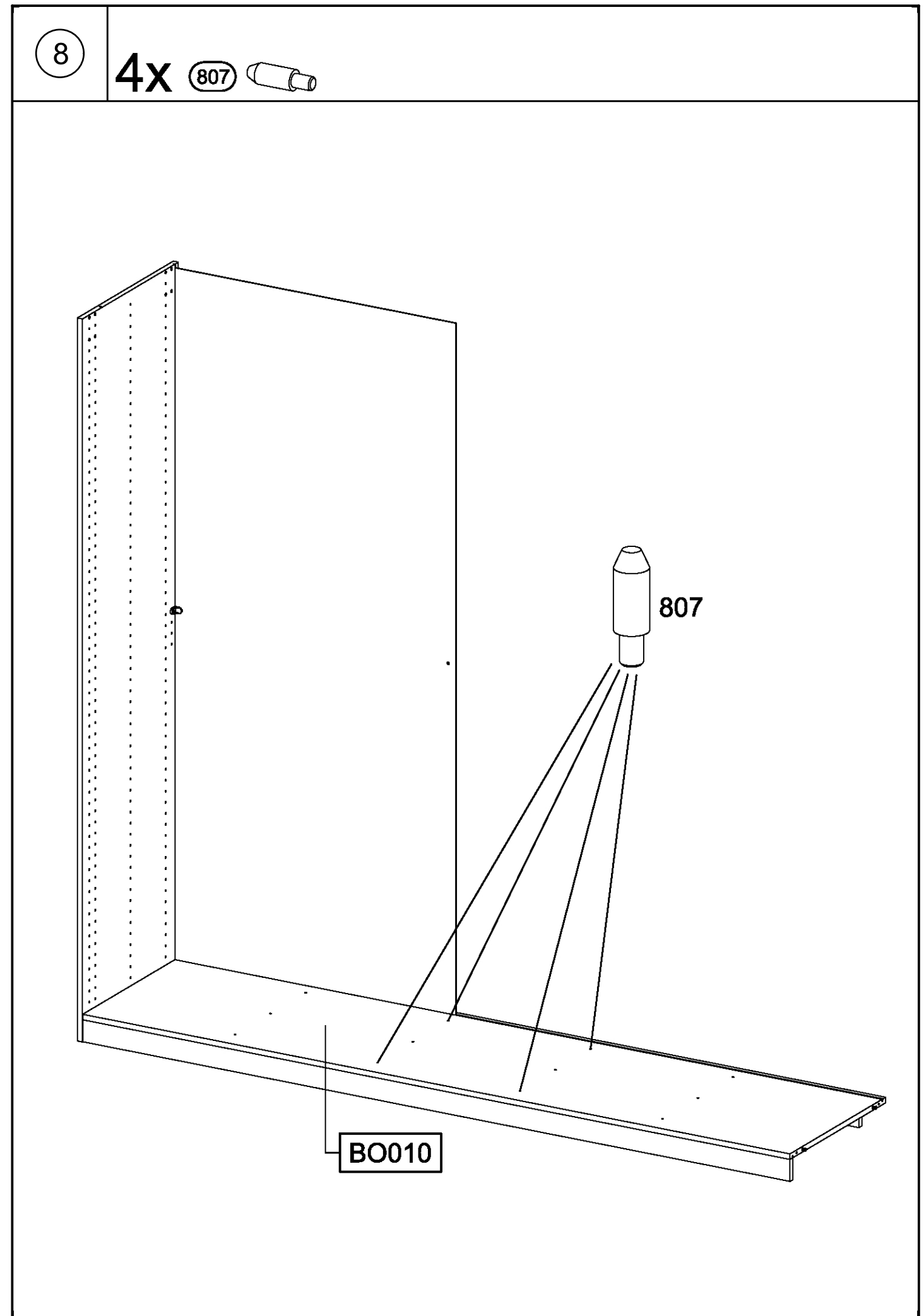
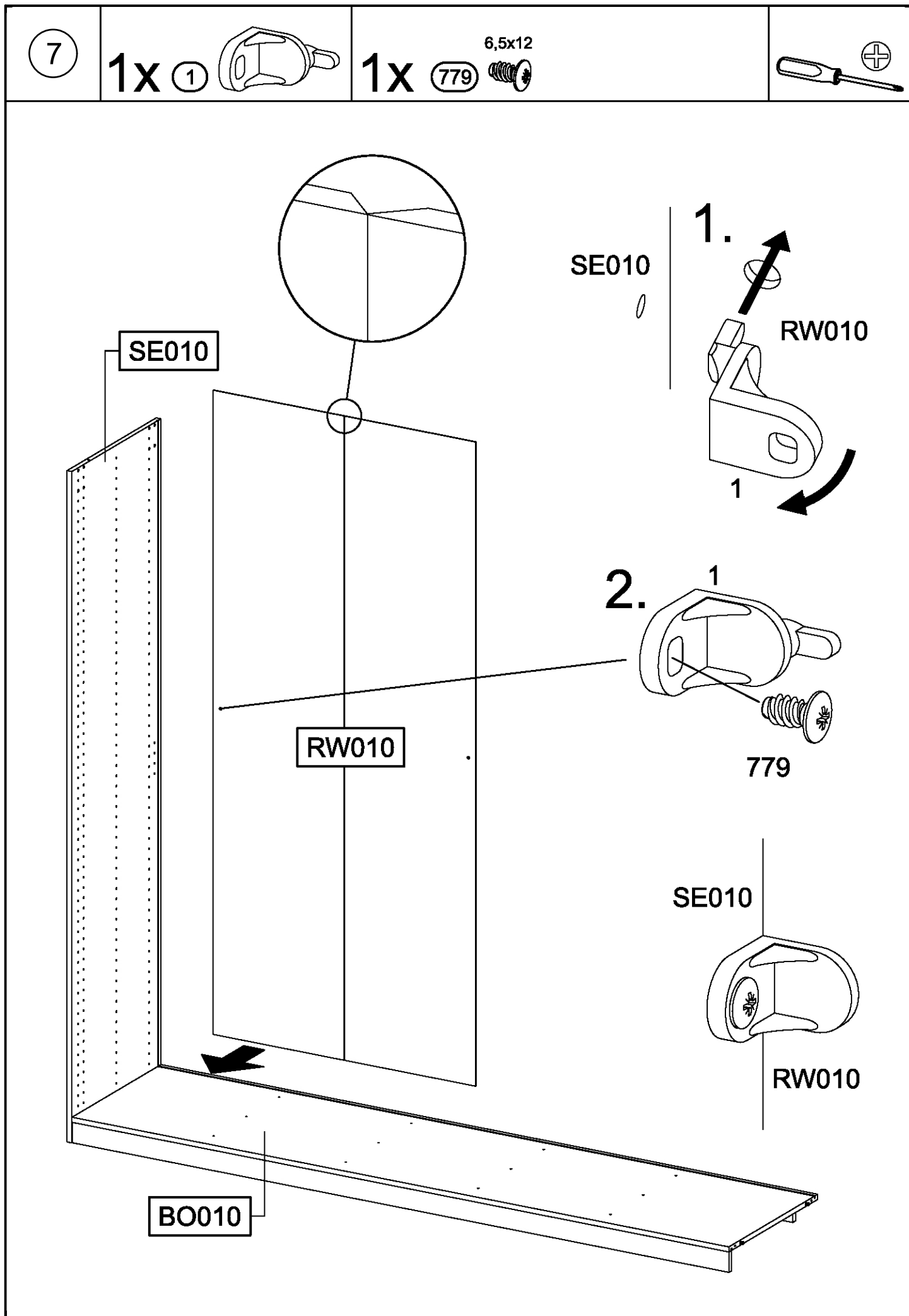
14x 		2x 	
8x 		16x 	
4x 		15x 	
8x 		12x 	
8x 		12x 	
2x 		12x 	
8x 		14x 	
4x 		24x 	
			
			

1x 			
			
			
			
			







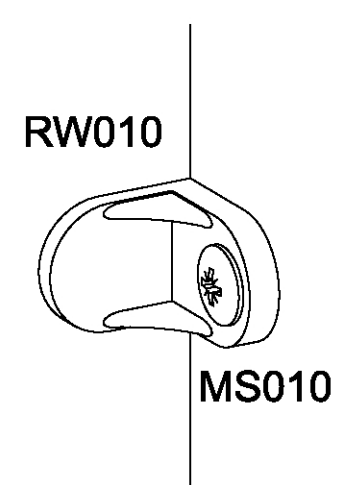
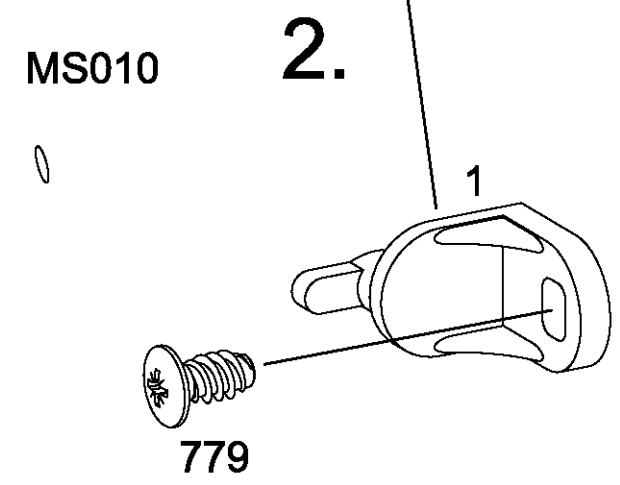
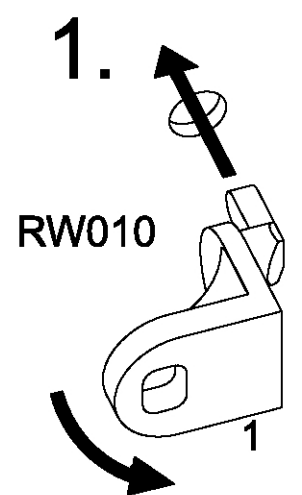
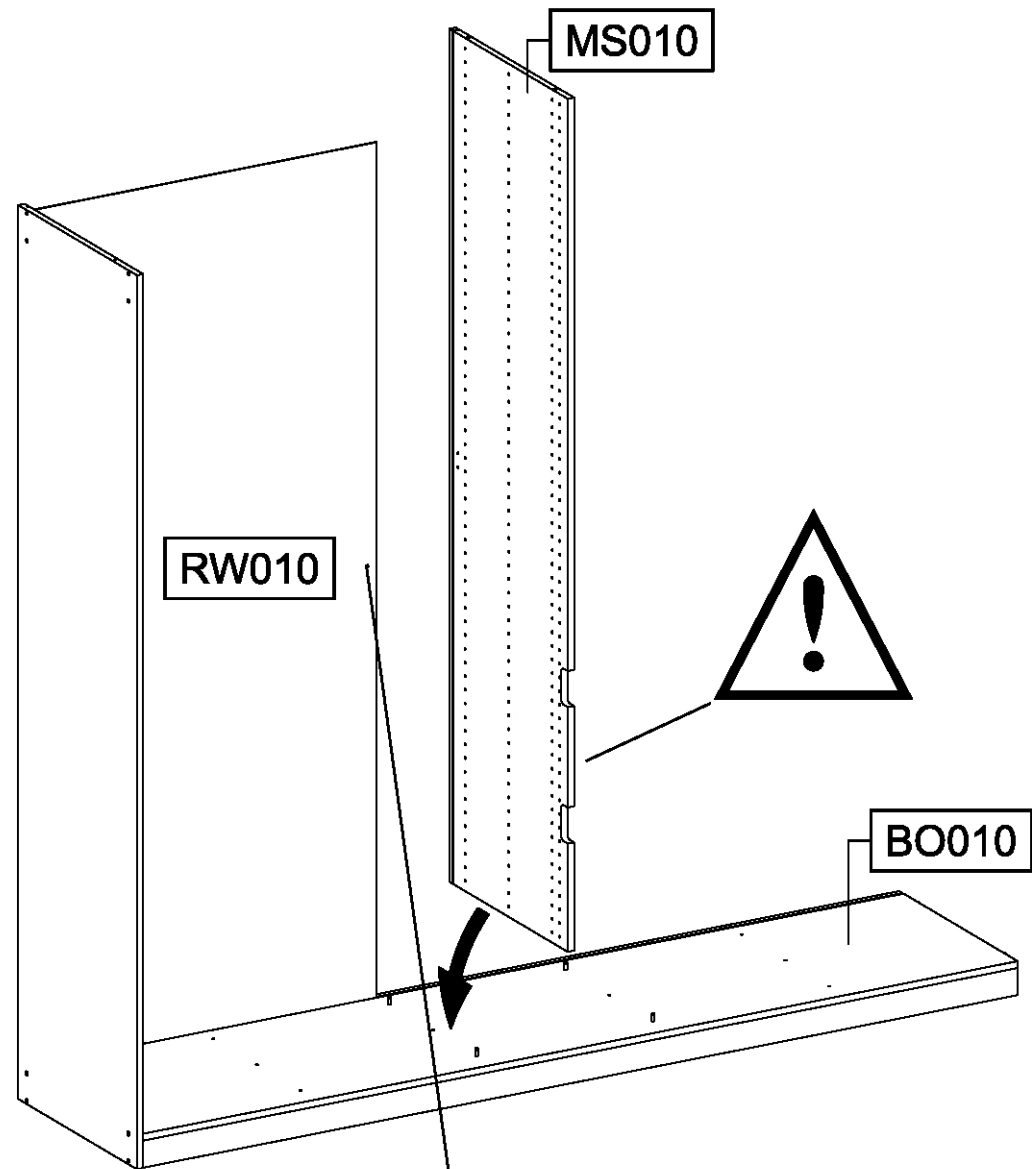
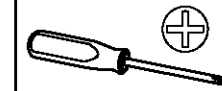
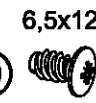


9

1x 1



1x 779

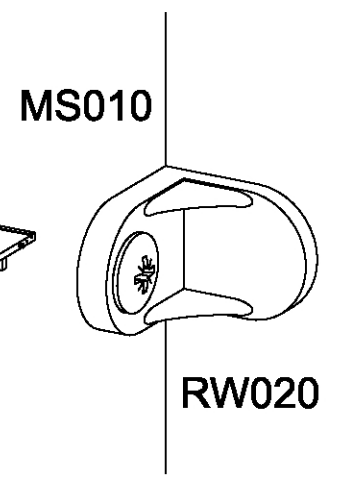
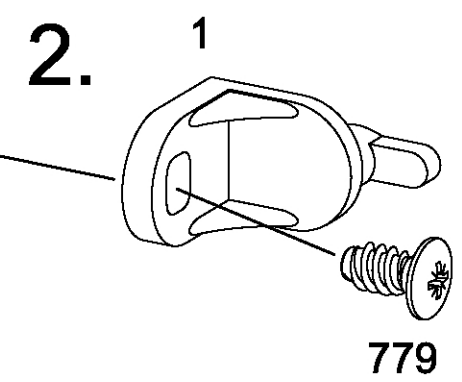
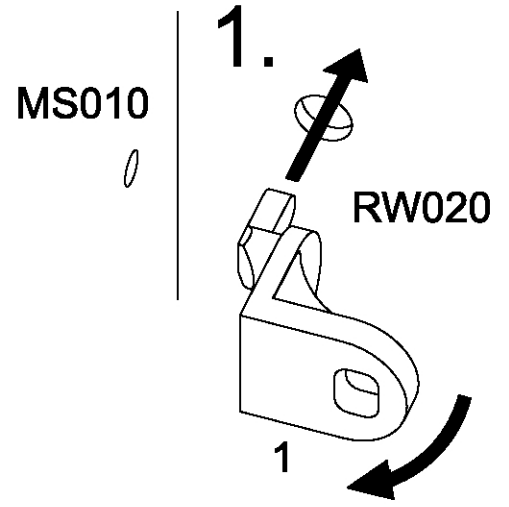
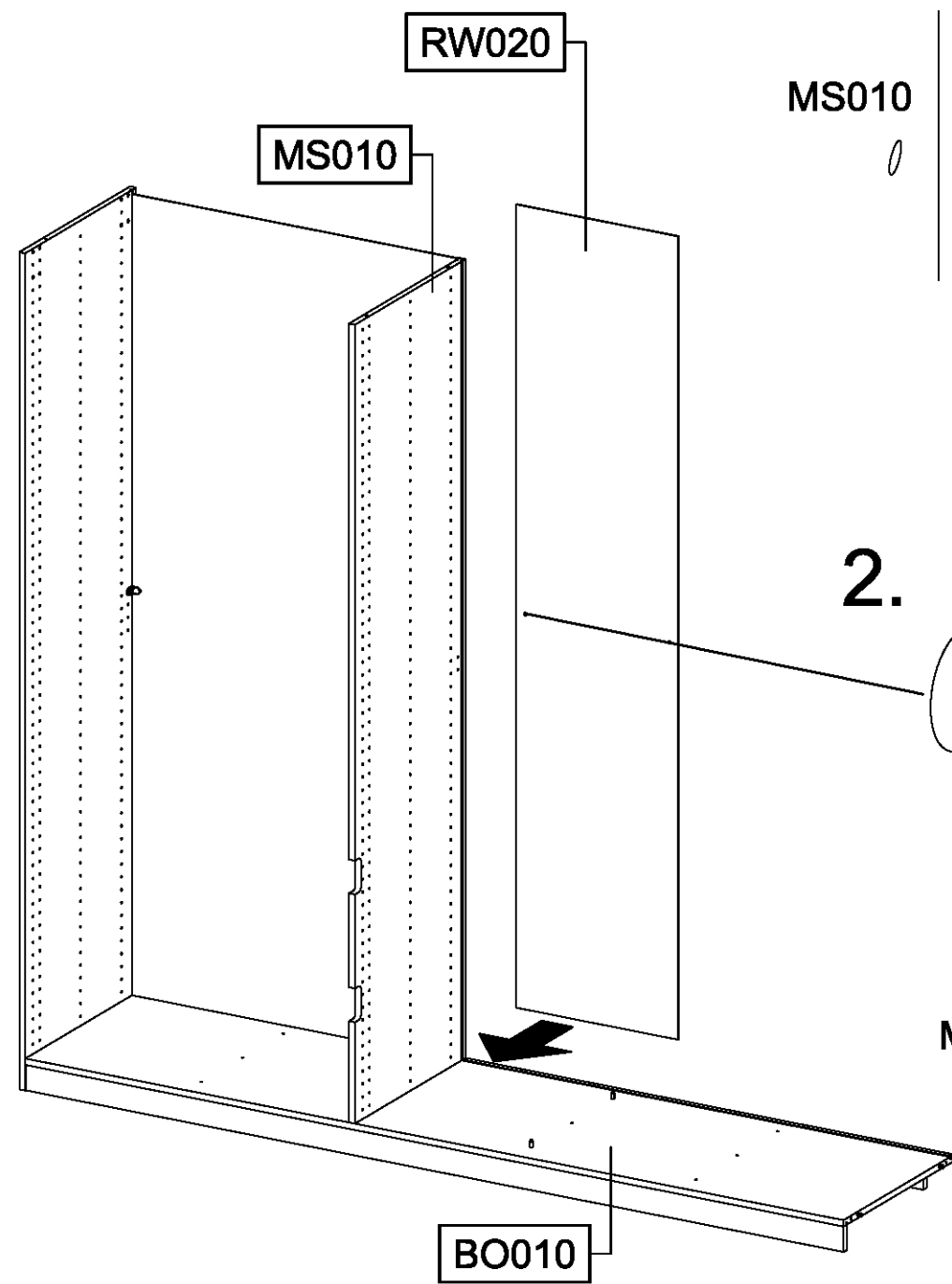
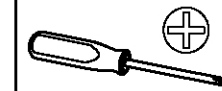
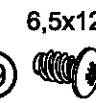


10

1x 1

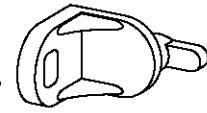


1x 779

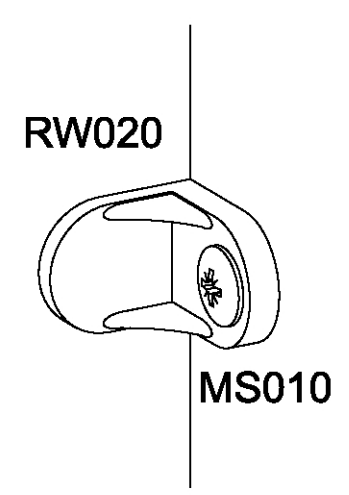
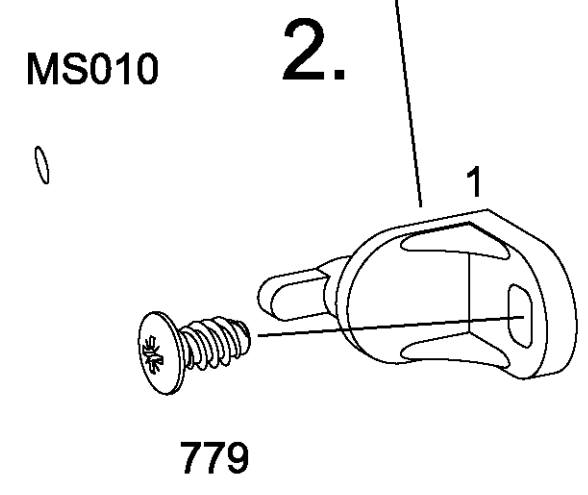
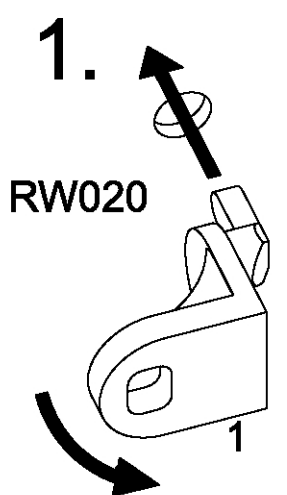
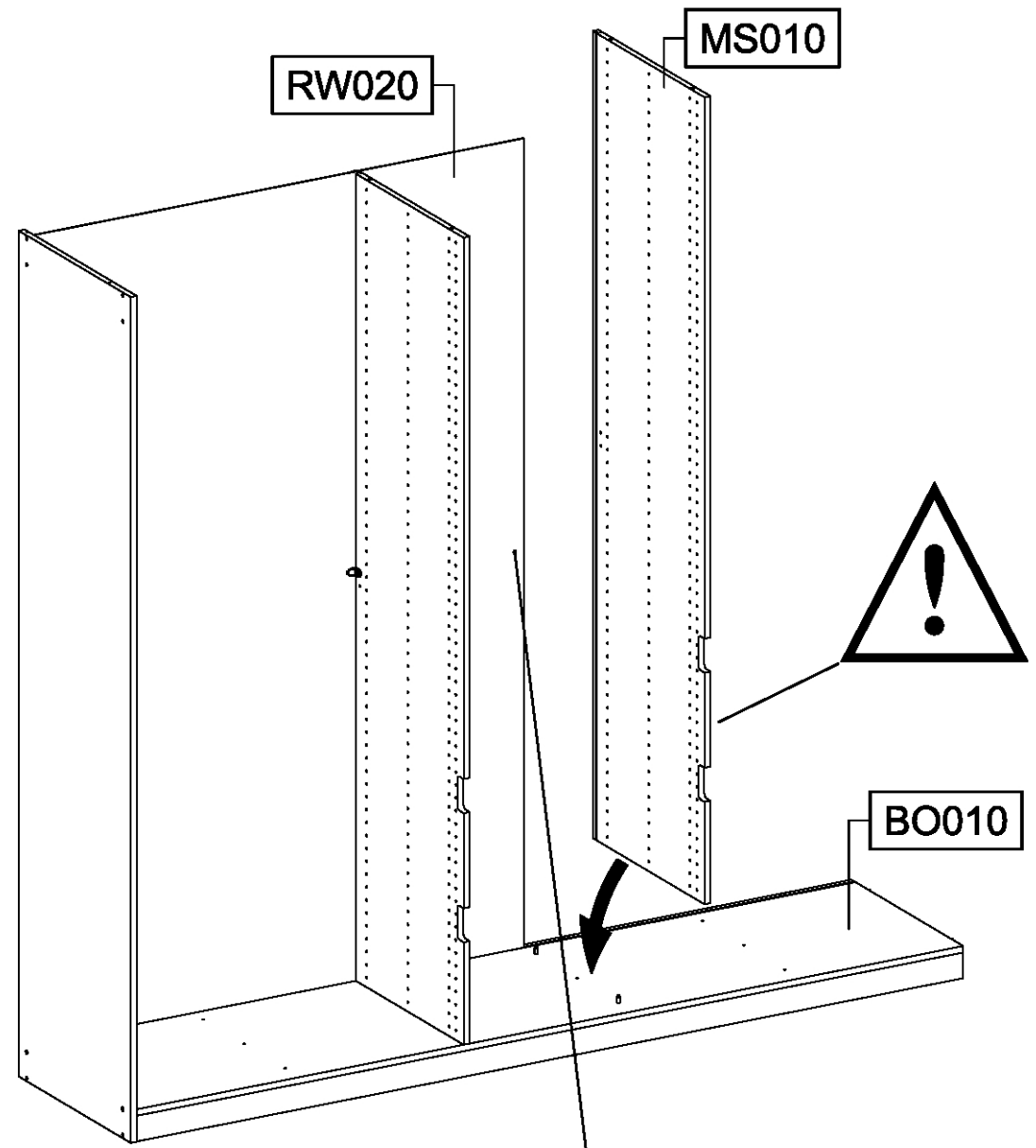
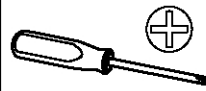
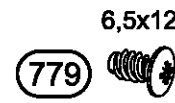


11

1x ①



1x ②

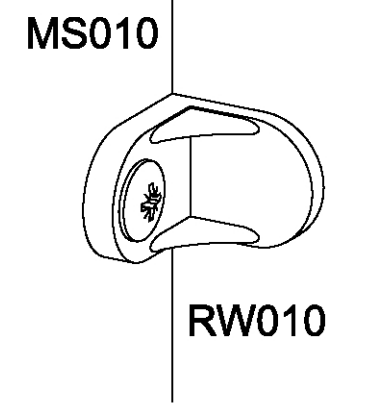
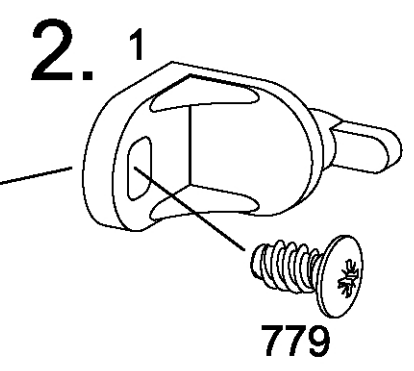
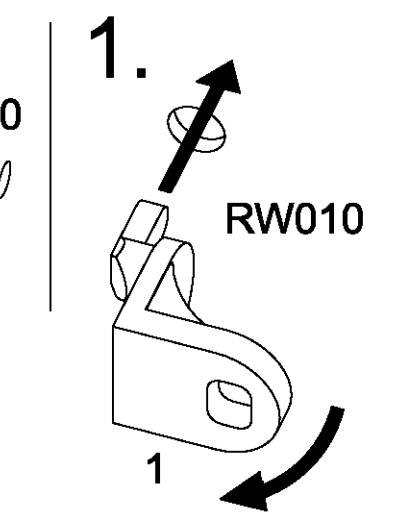
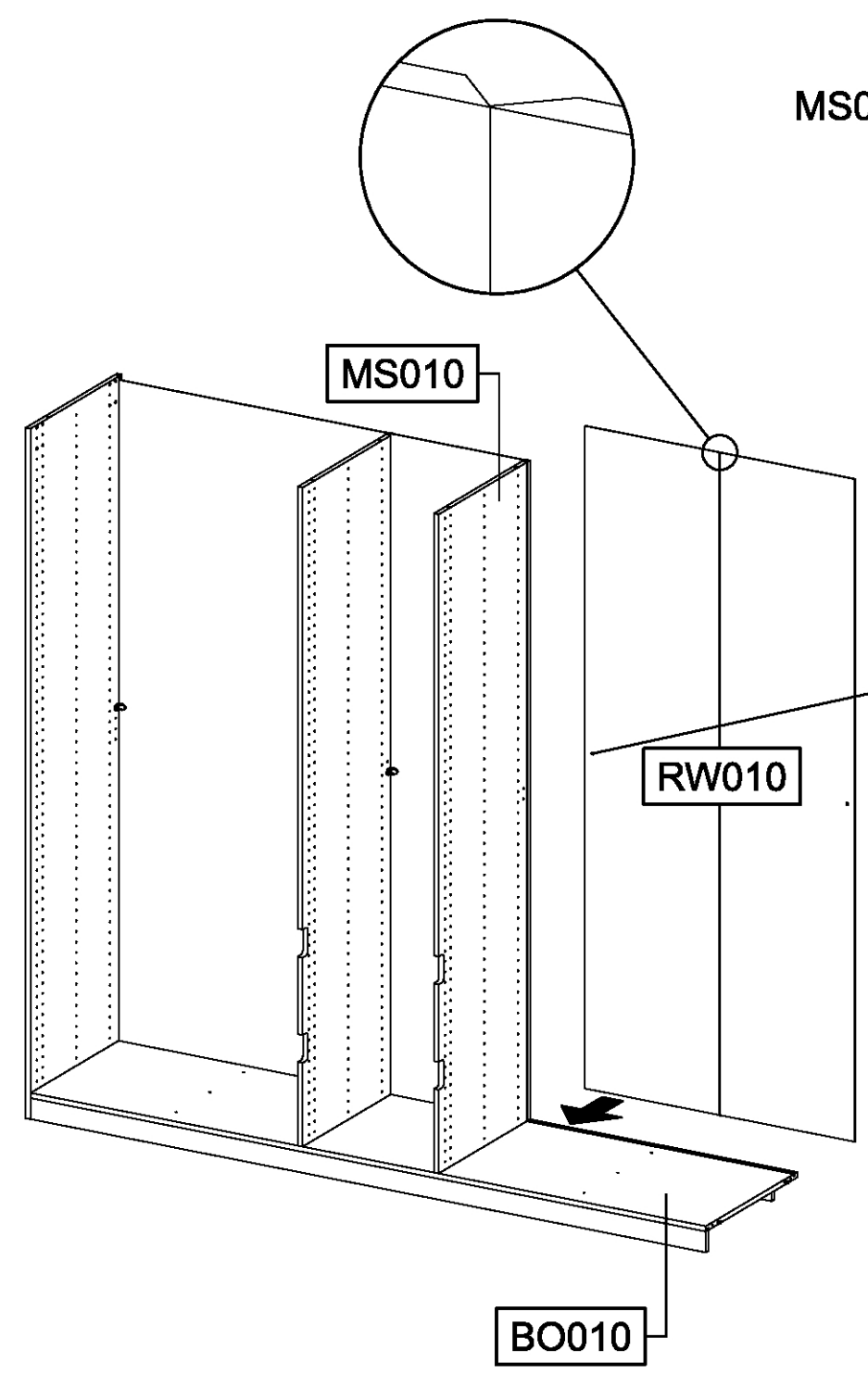
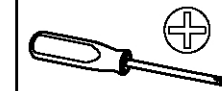
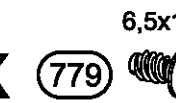


12

1x ①

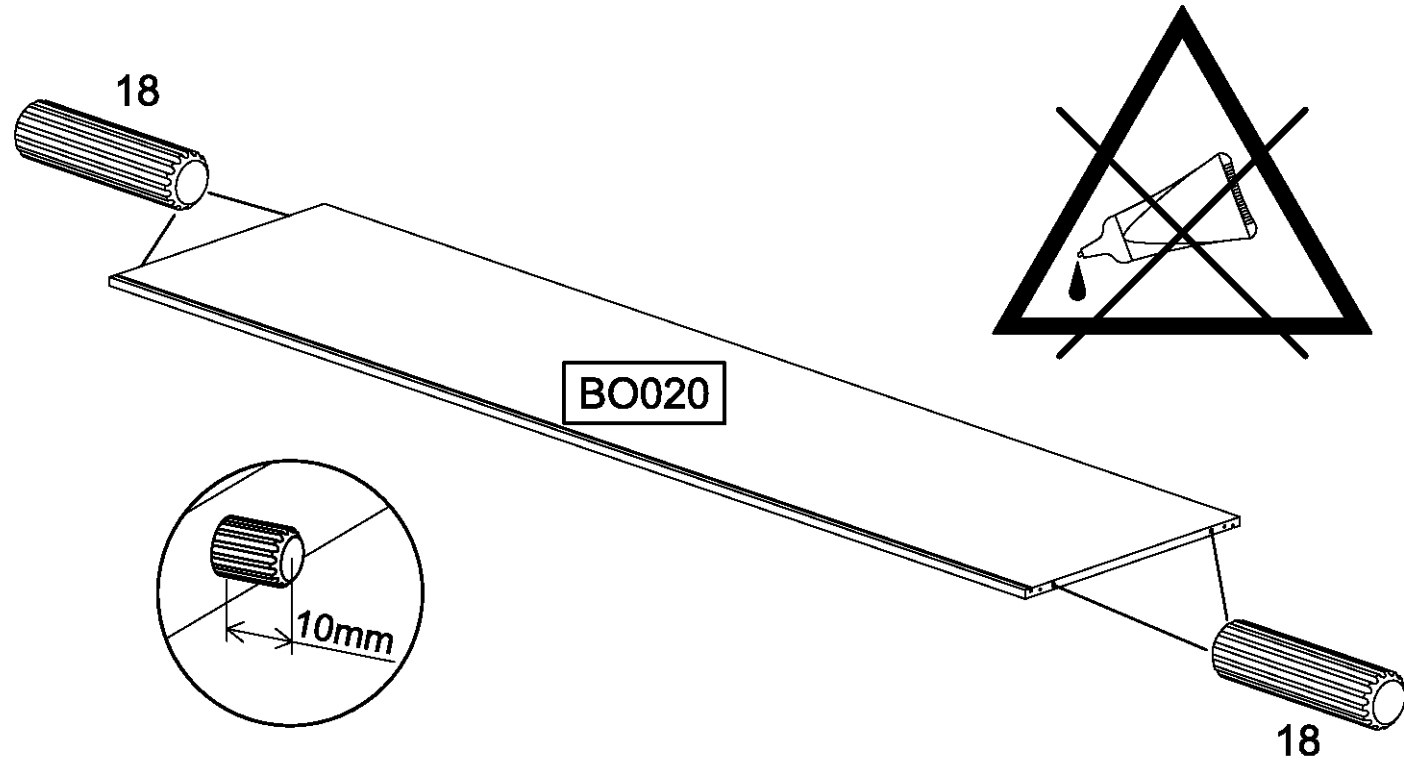
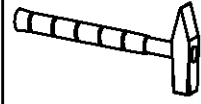


1x ②



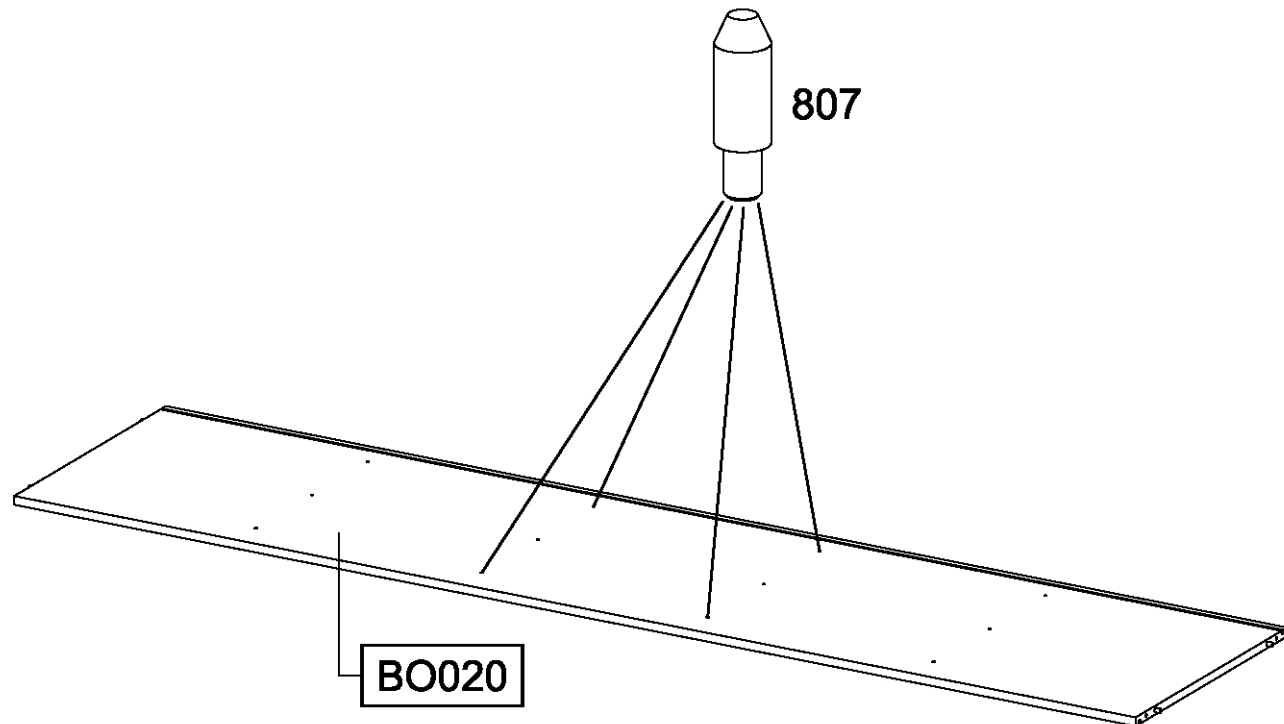
13

4x 18 8x30

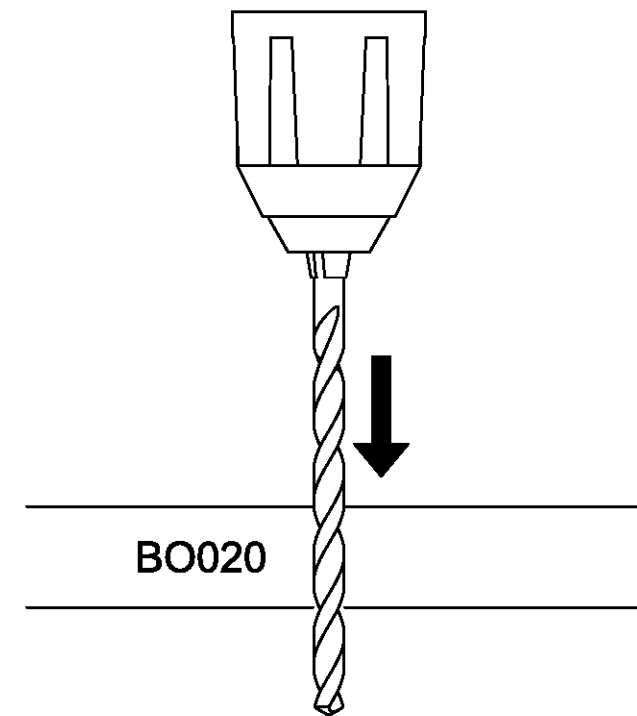
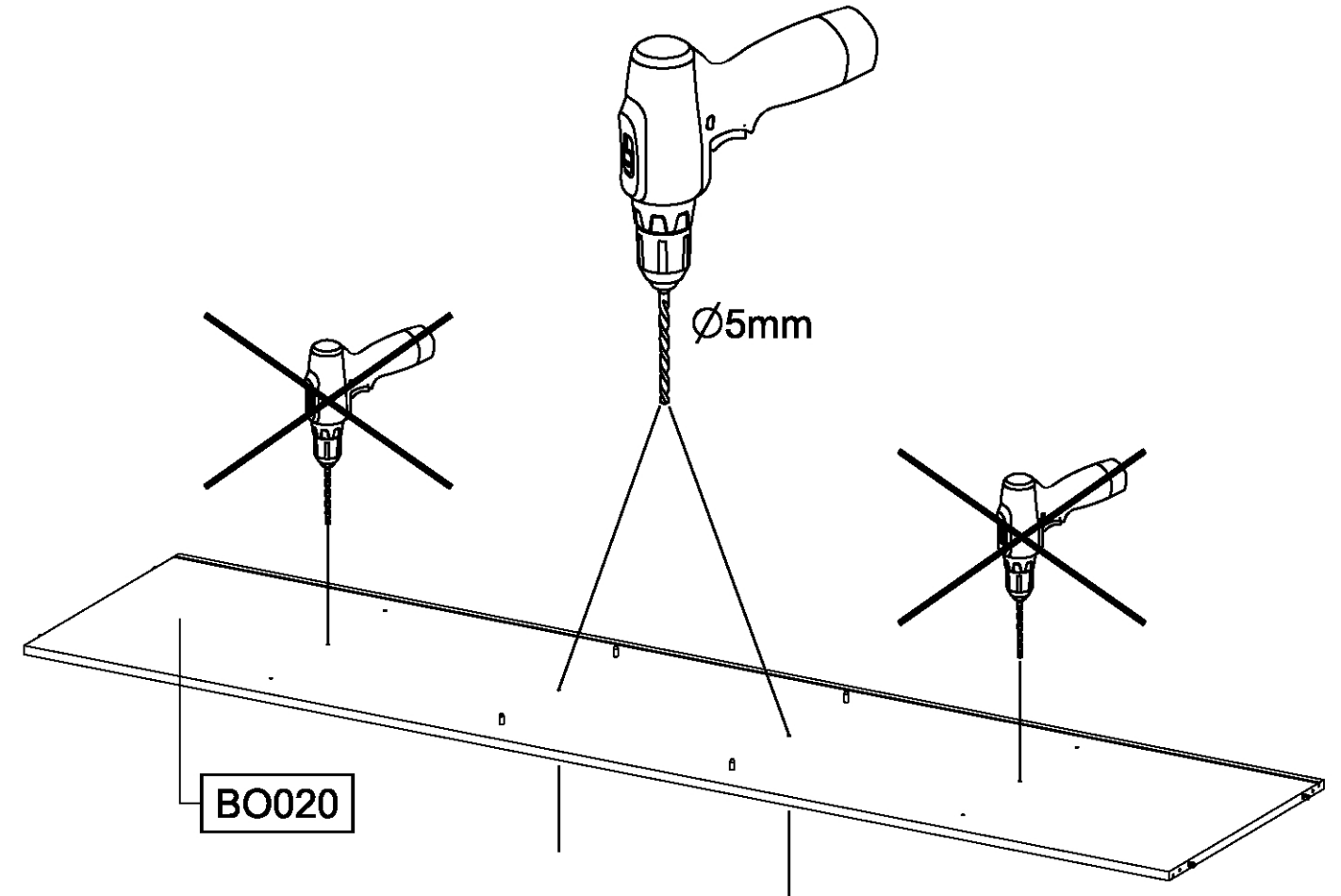
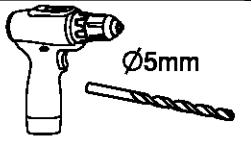


14

4x 807



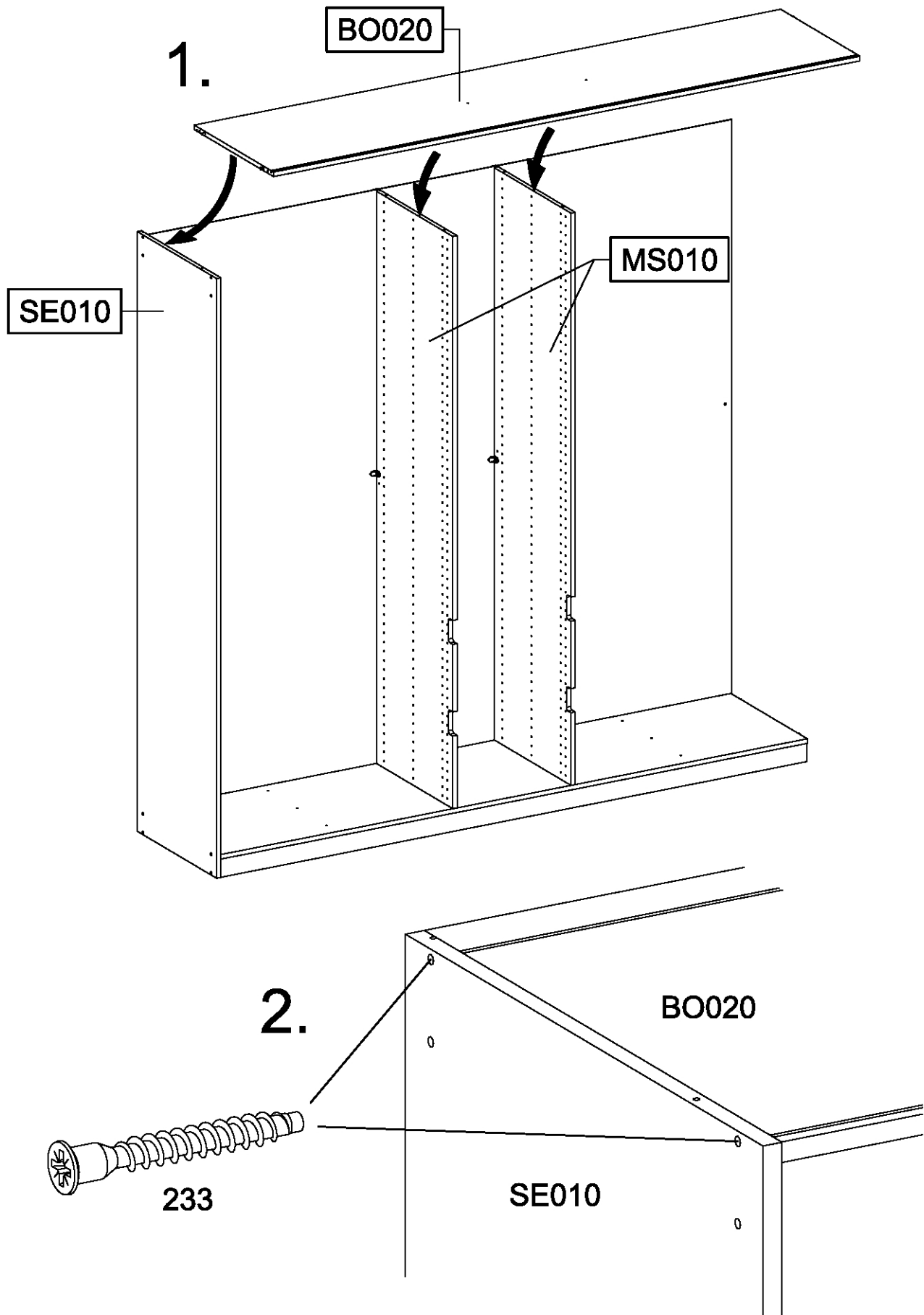
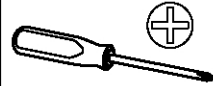
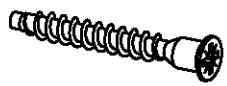
15



16

2x 233

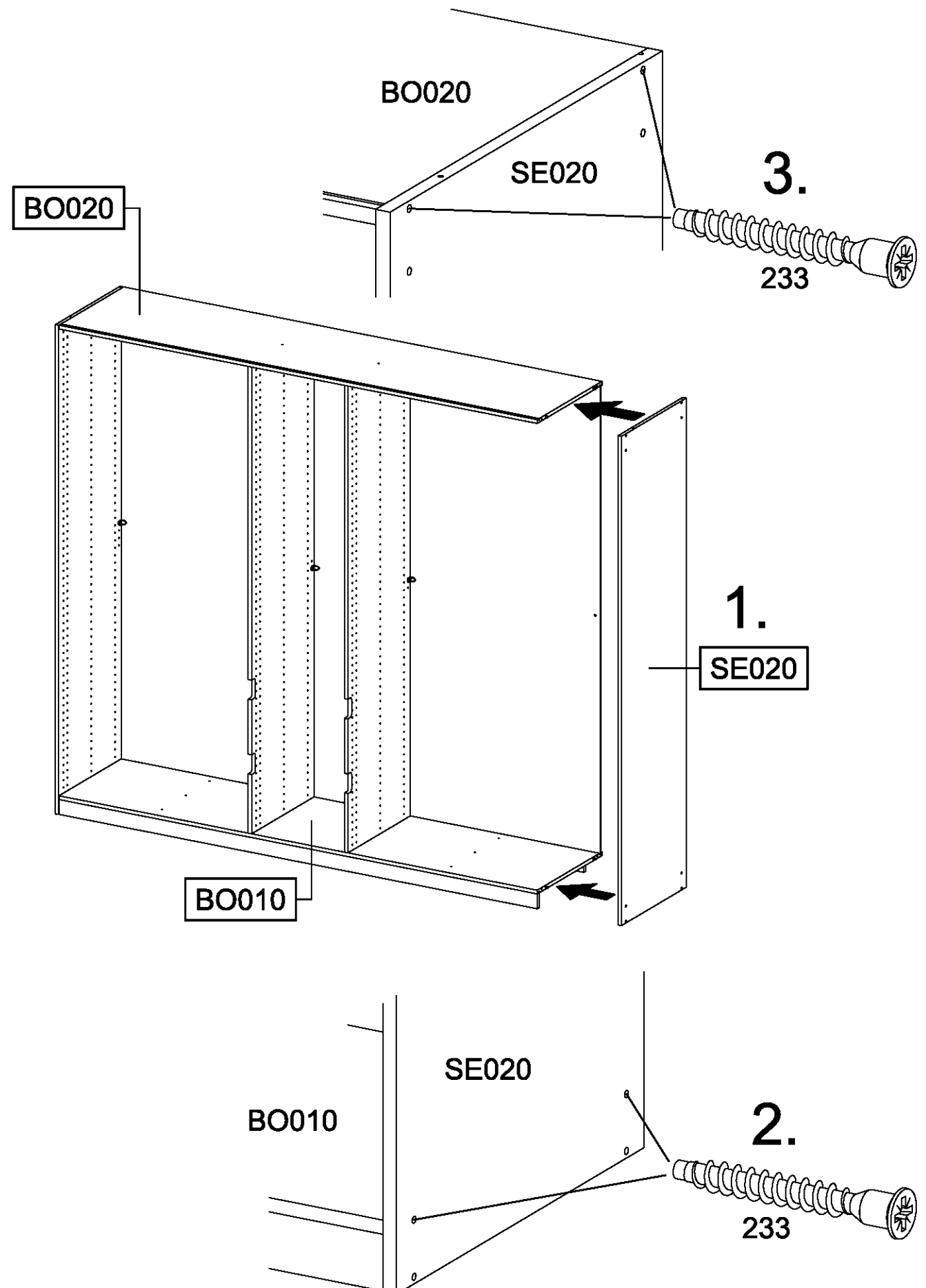
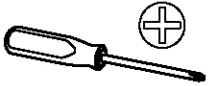
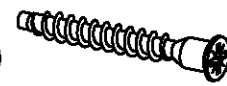
6,3x50



17

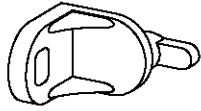
4x 233

6,3x50



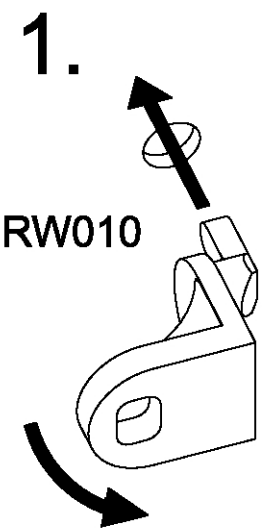
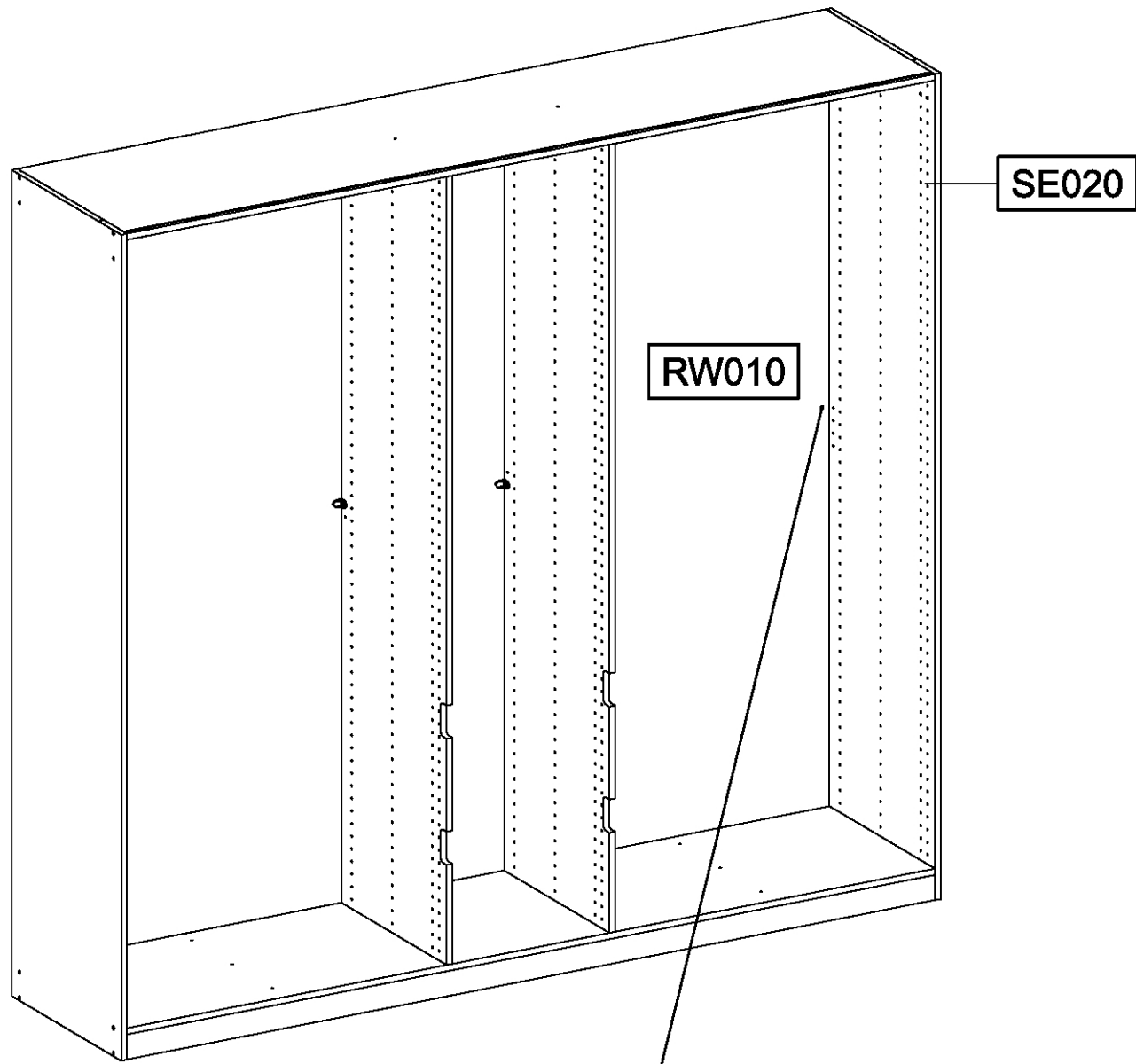
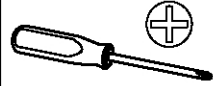
18

1x 1

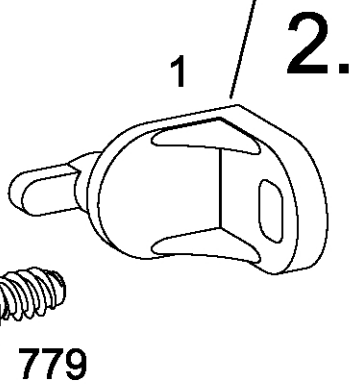


1x 779

6,5x12



SE020



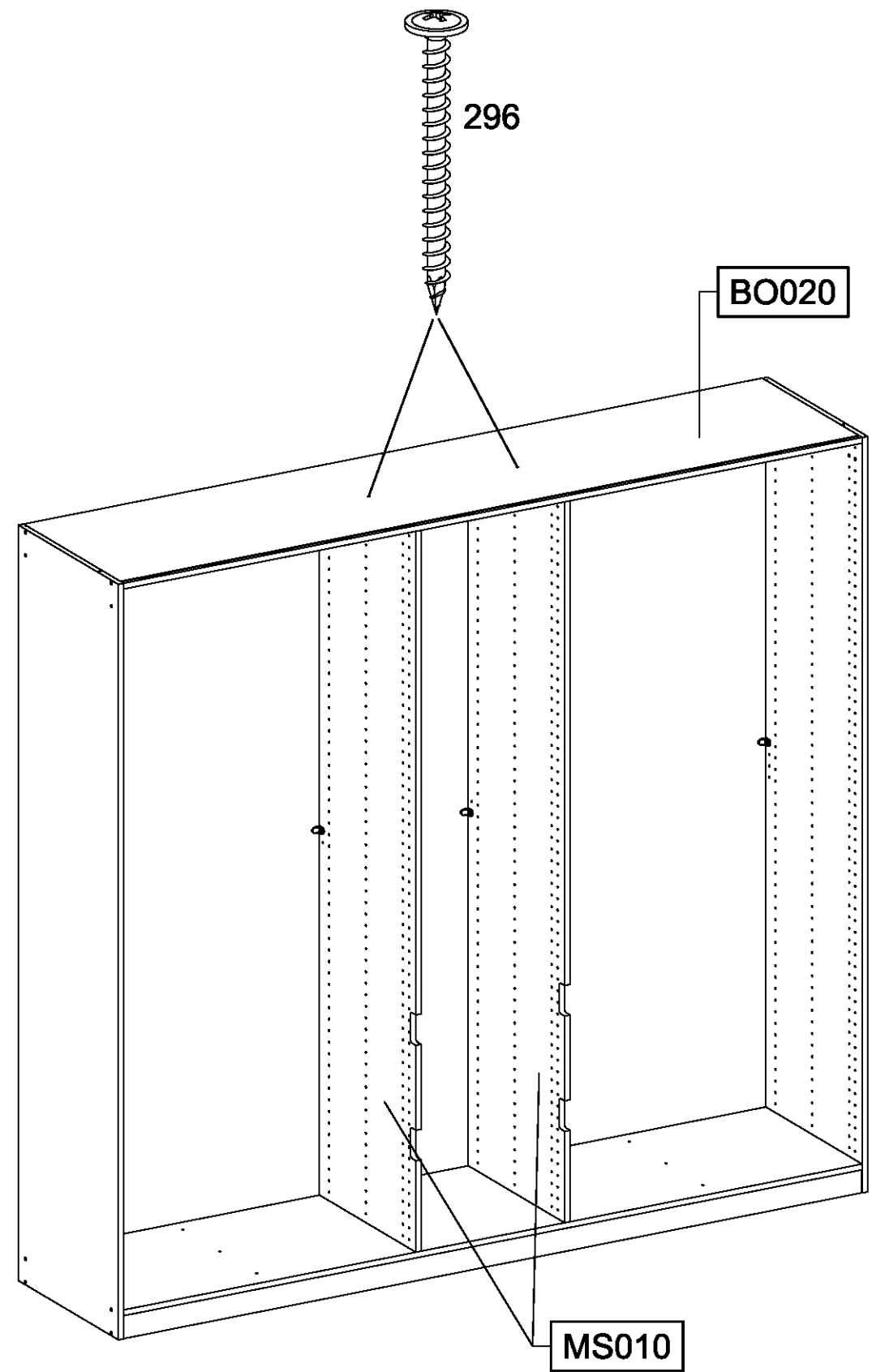
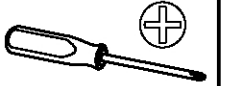
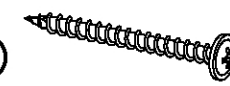
RW010

SE020

19

2x 296

4,5x50



296

BO020

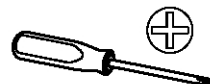
MS010

20

6x

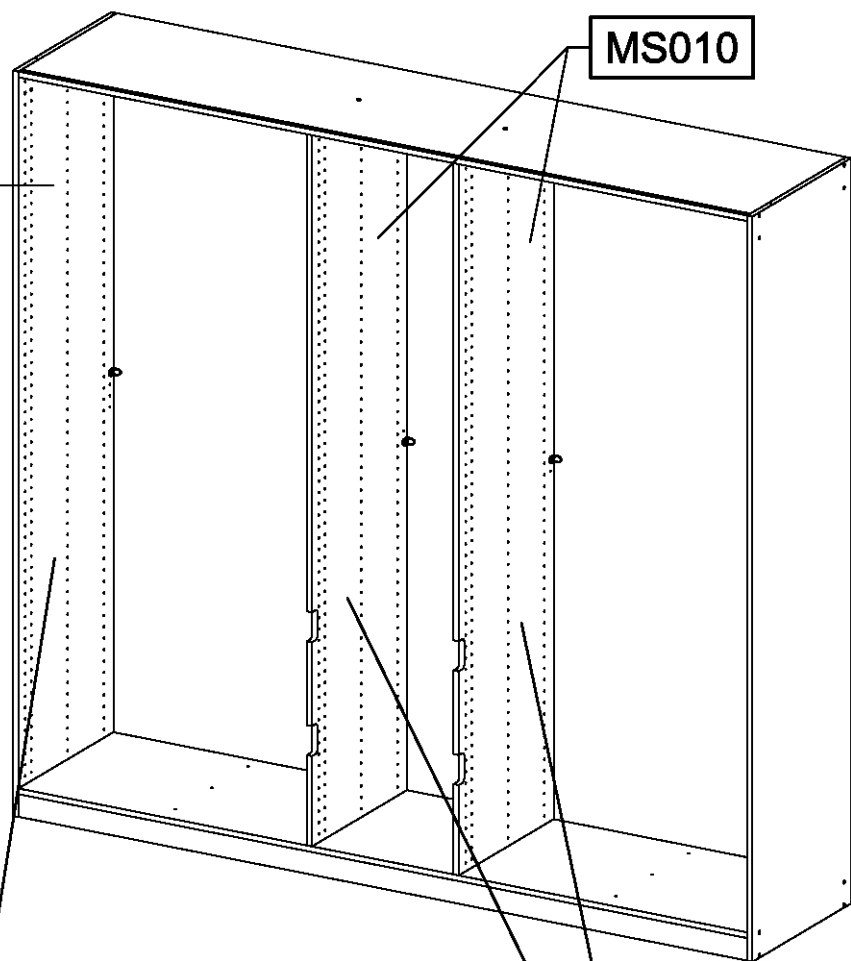
5,0x7,0

249



SE010

MS010



249

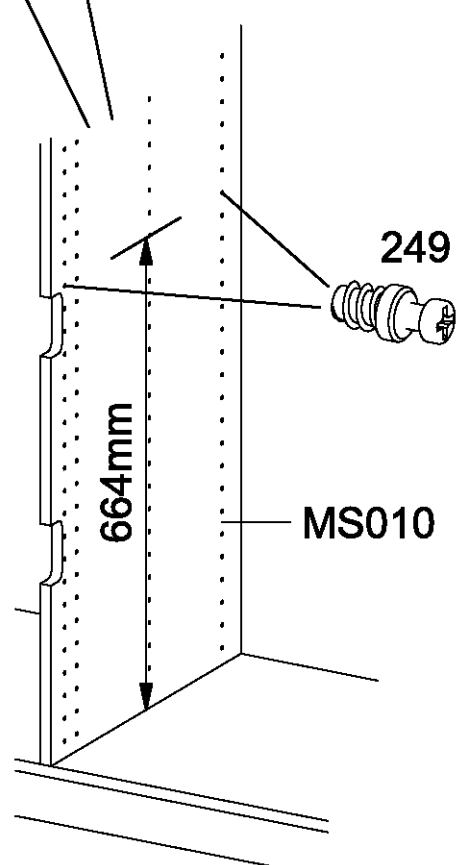
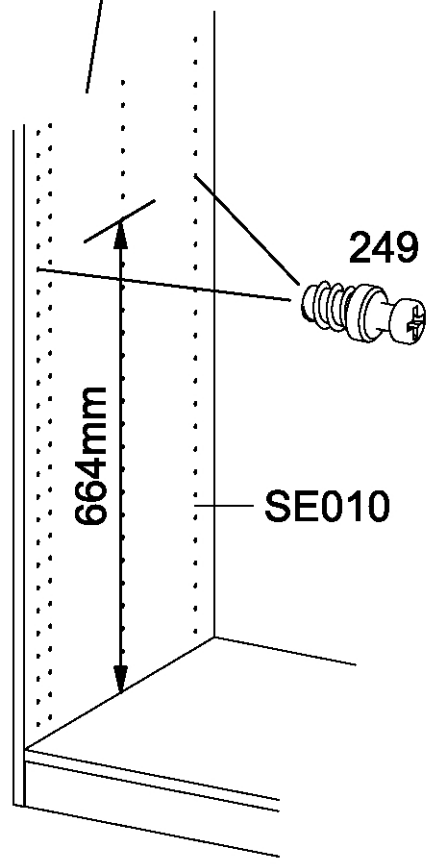
249

664mm

664mm

SE010

MS010

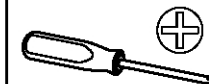


21

6x

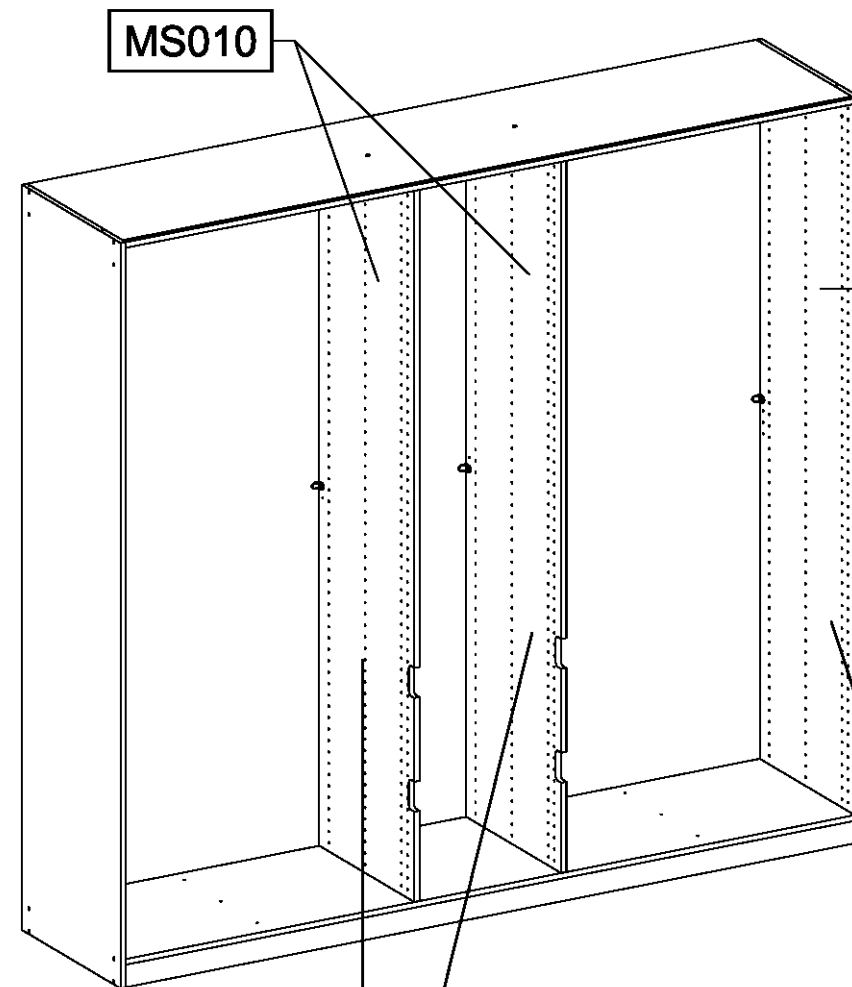
5,0x7,0

249



MS010

SE020



249

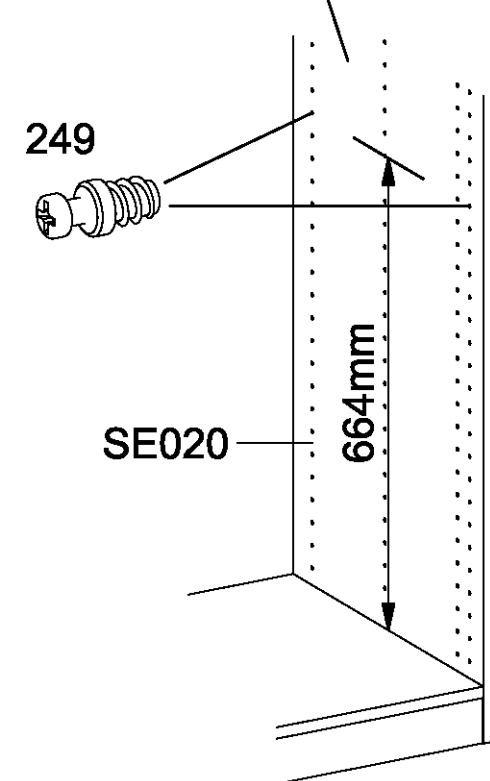
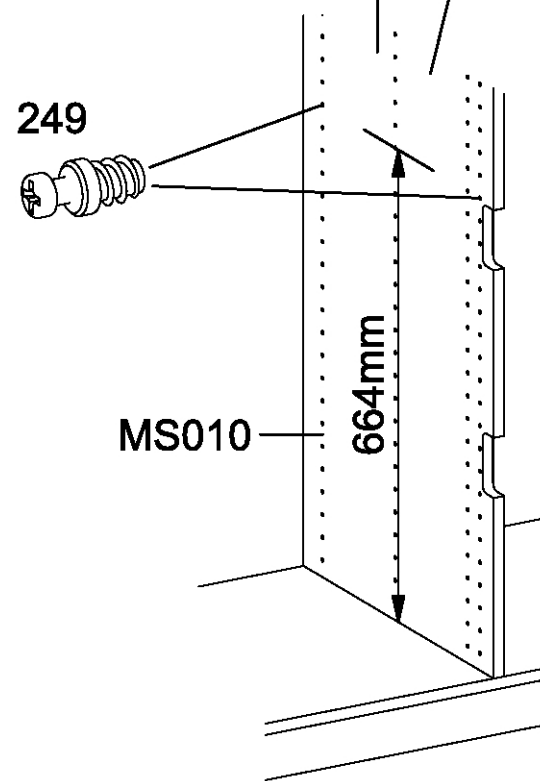
249

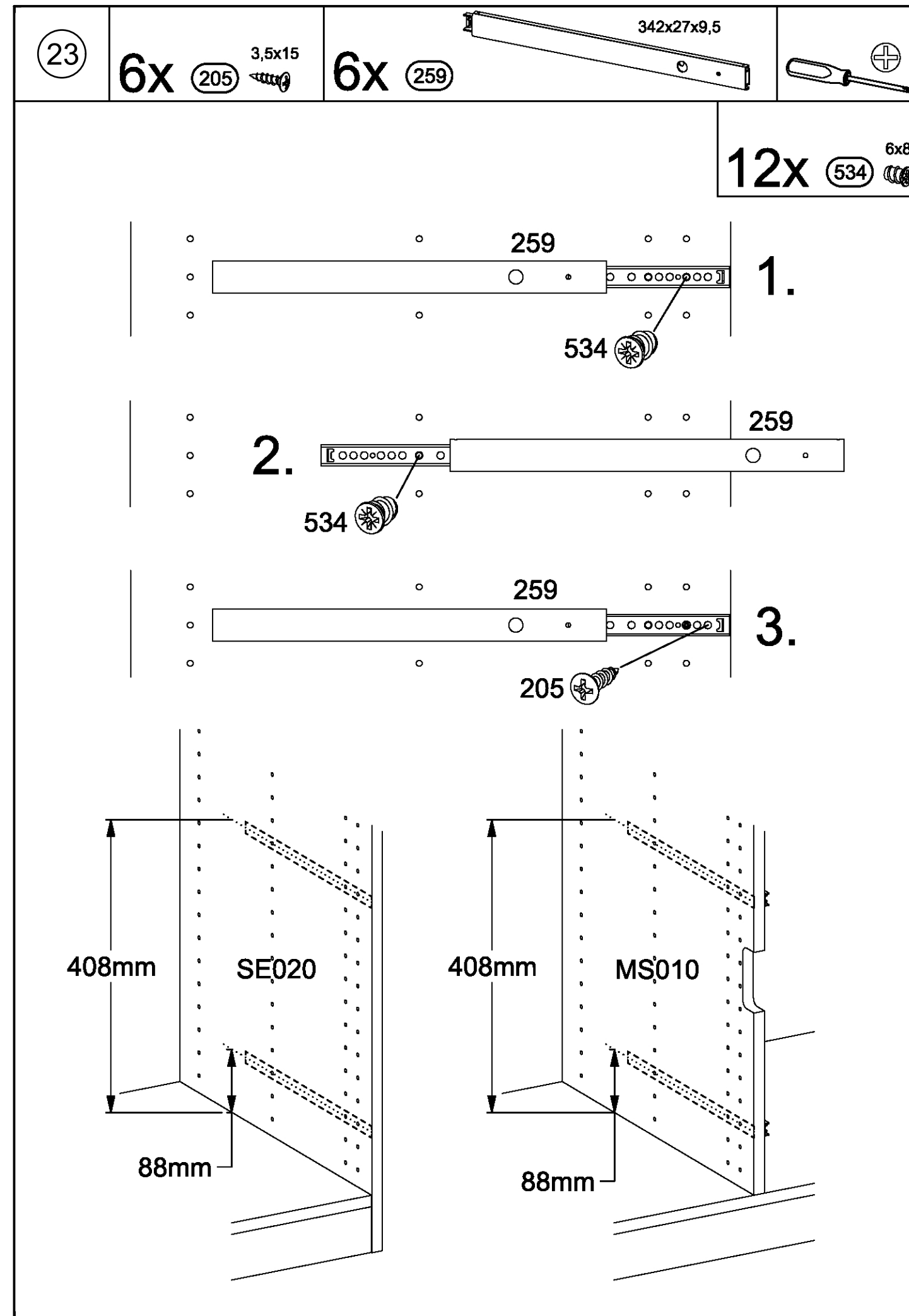
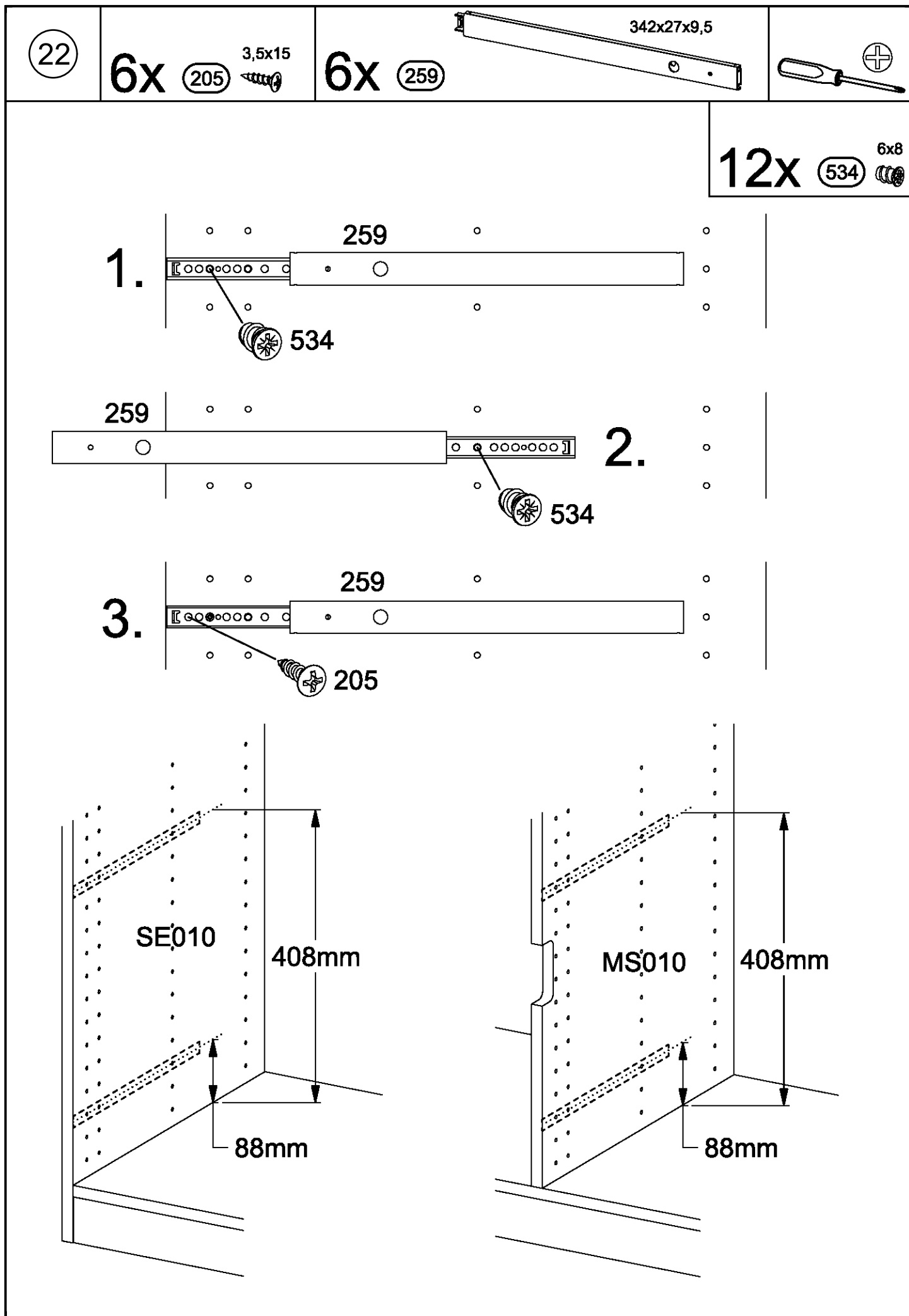
664mm

664mm

MS010

SE020





24

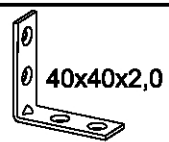
8x

88

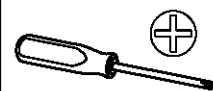
3,5x12

4x

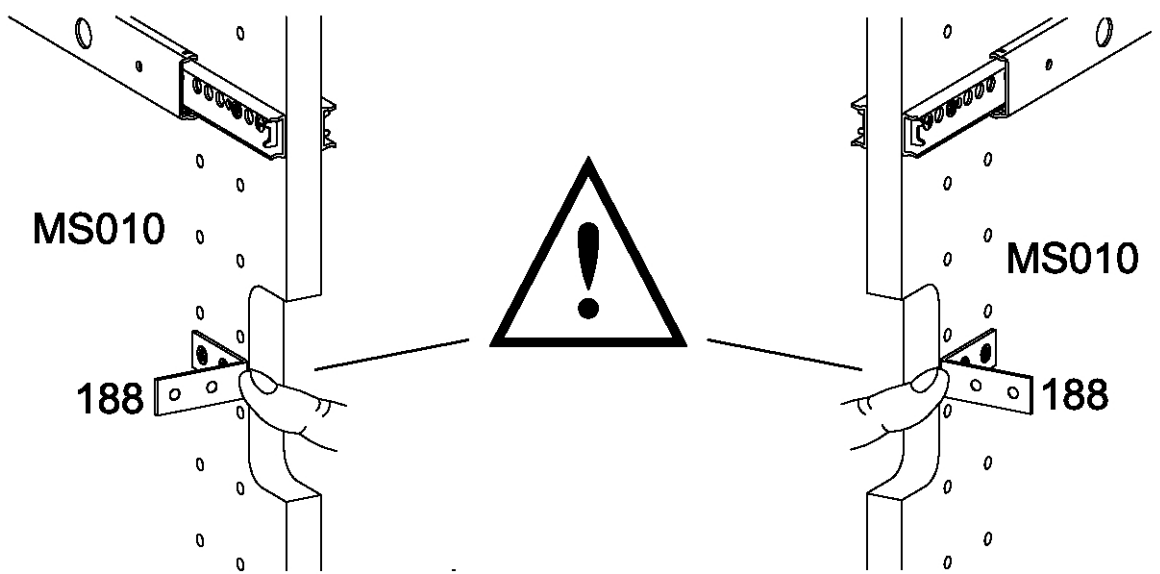
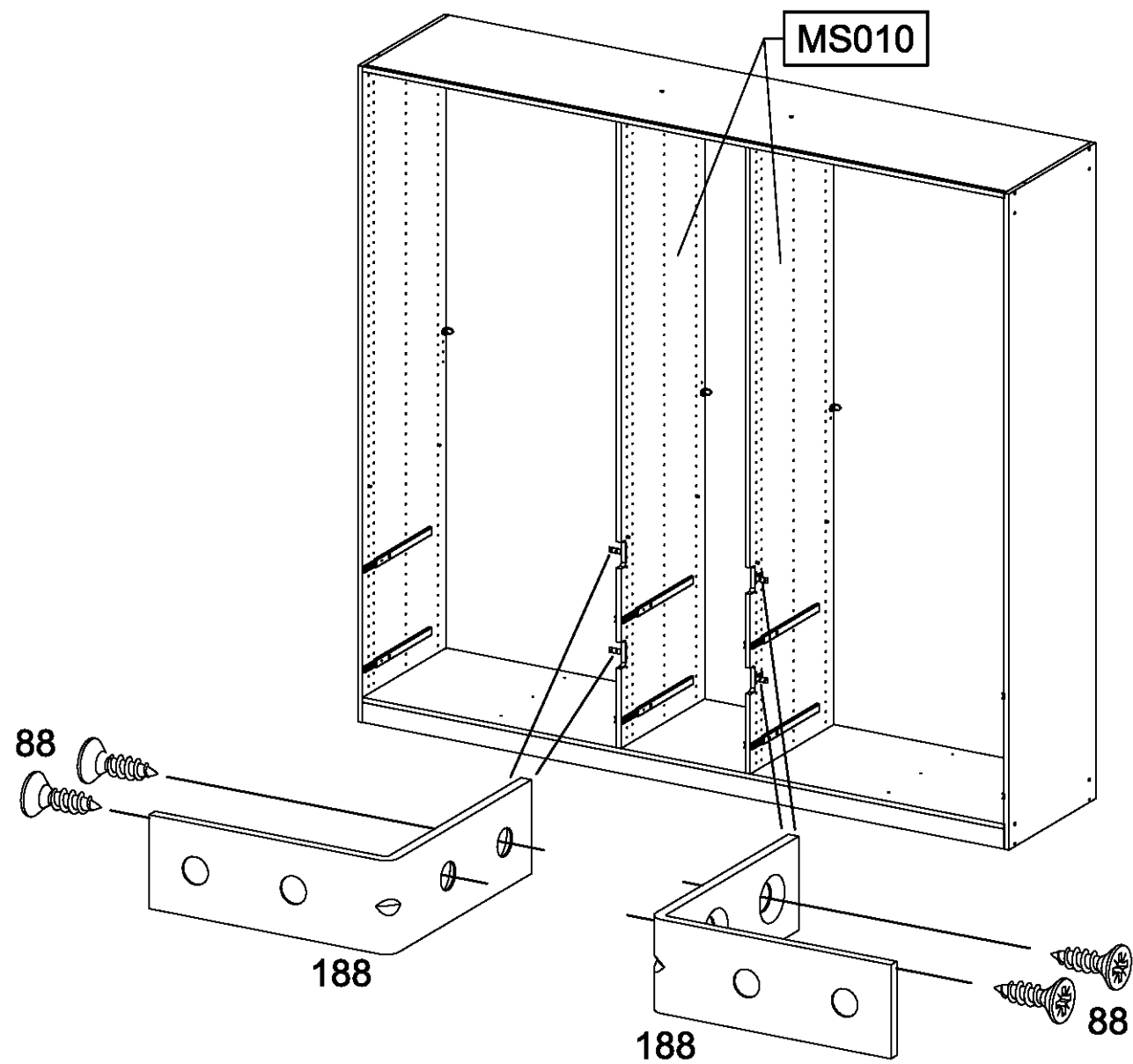
188



40x40x2,0



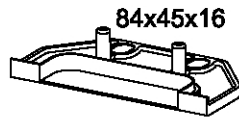
MS010



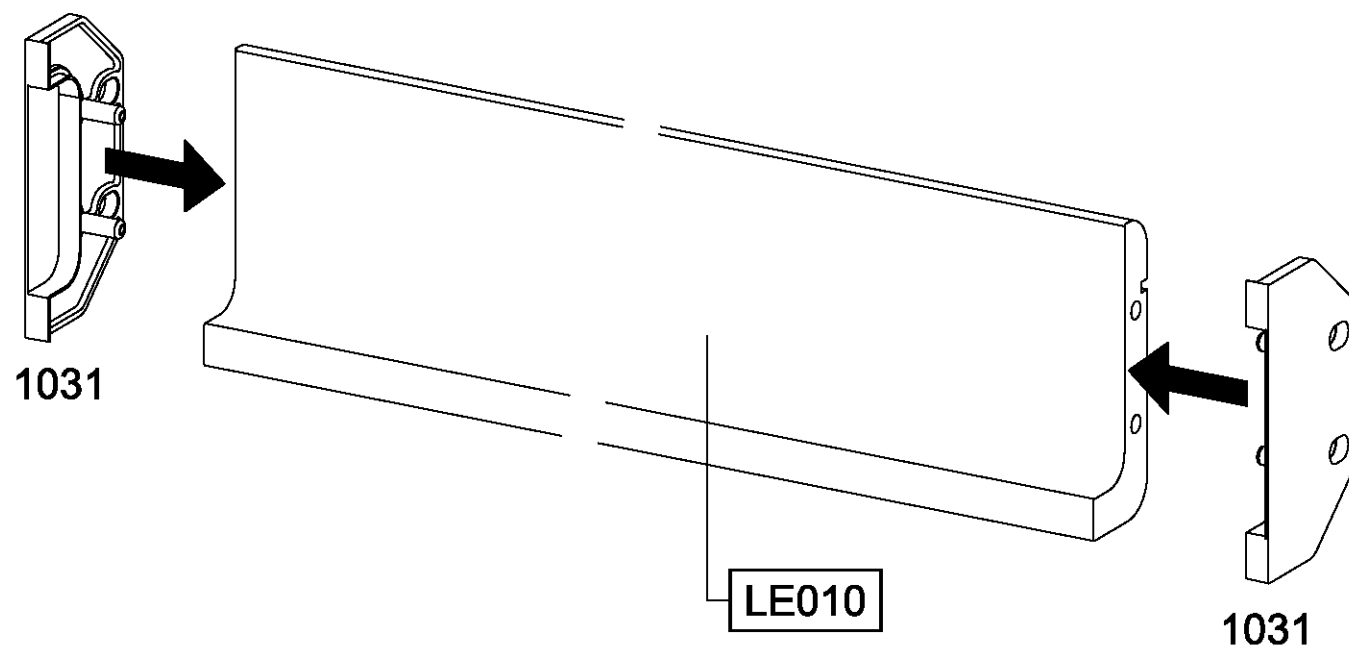
25

4x

1031



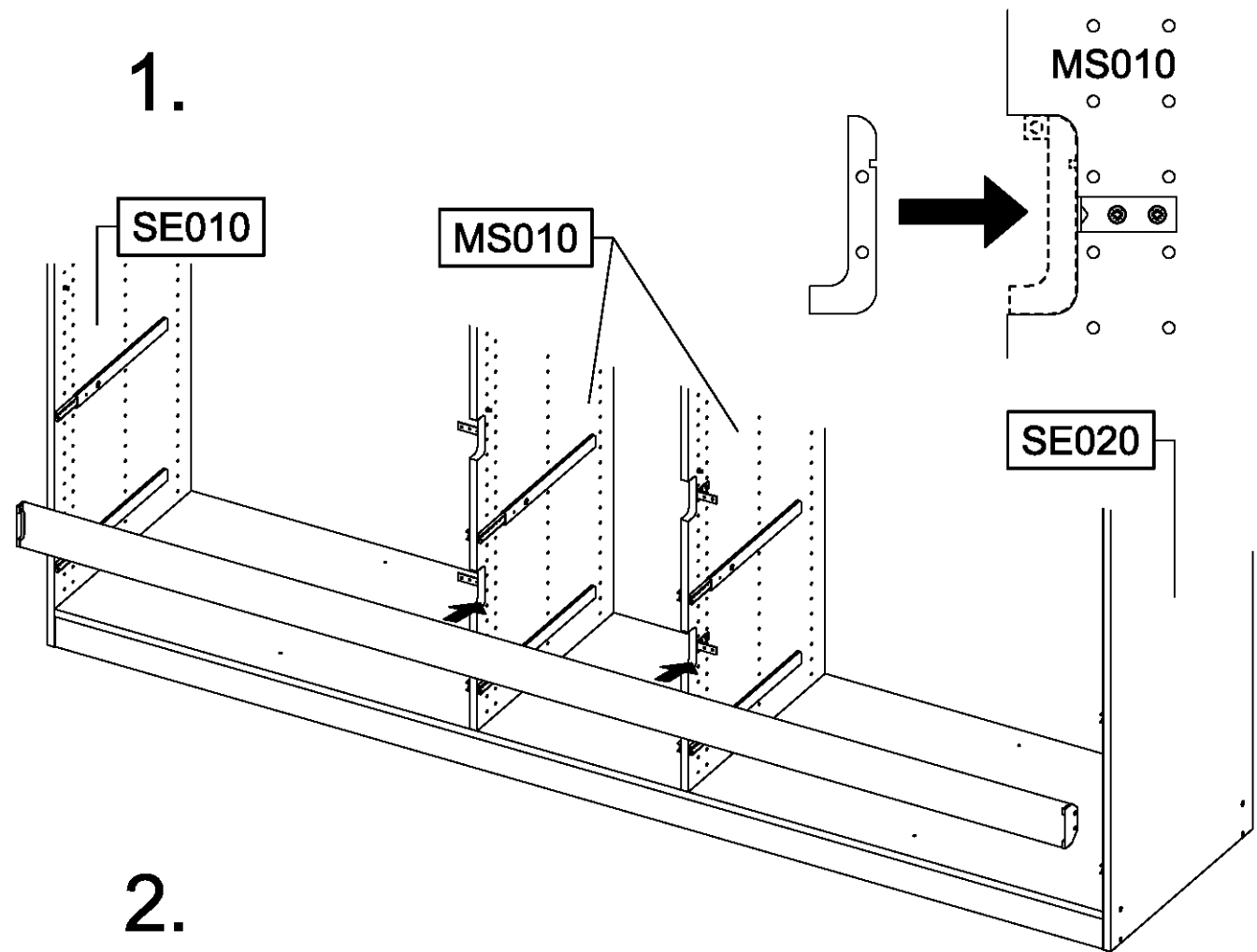
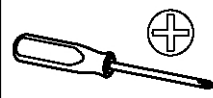
84x45x16



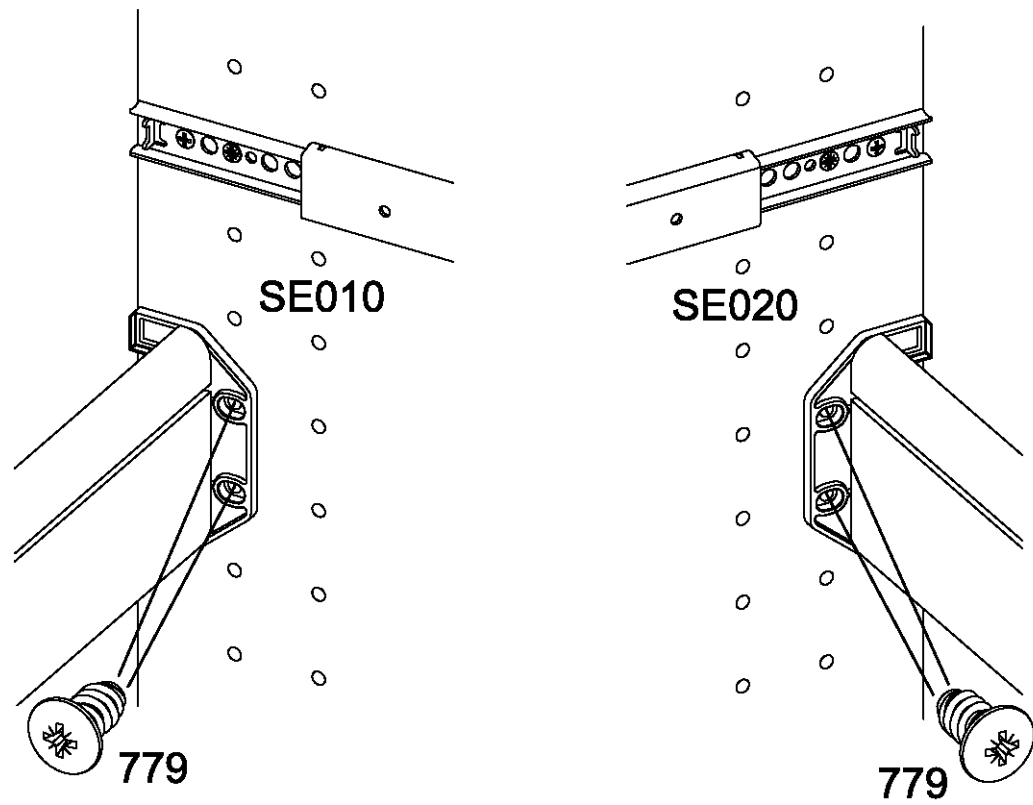
LE010

26

4x 6,5x12
779

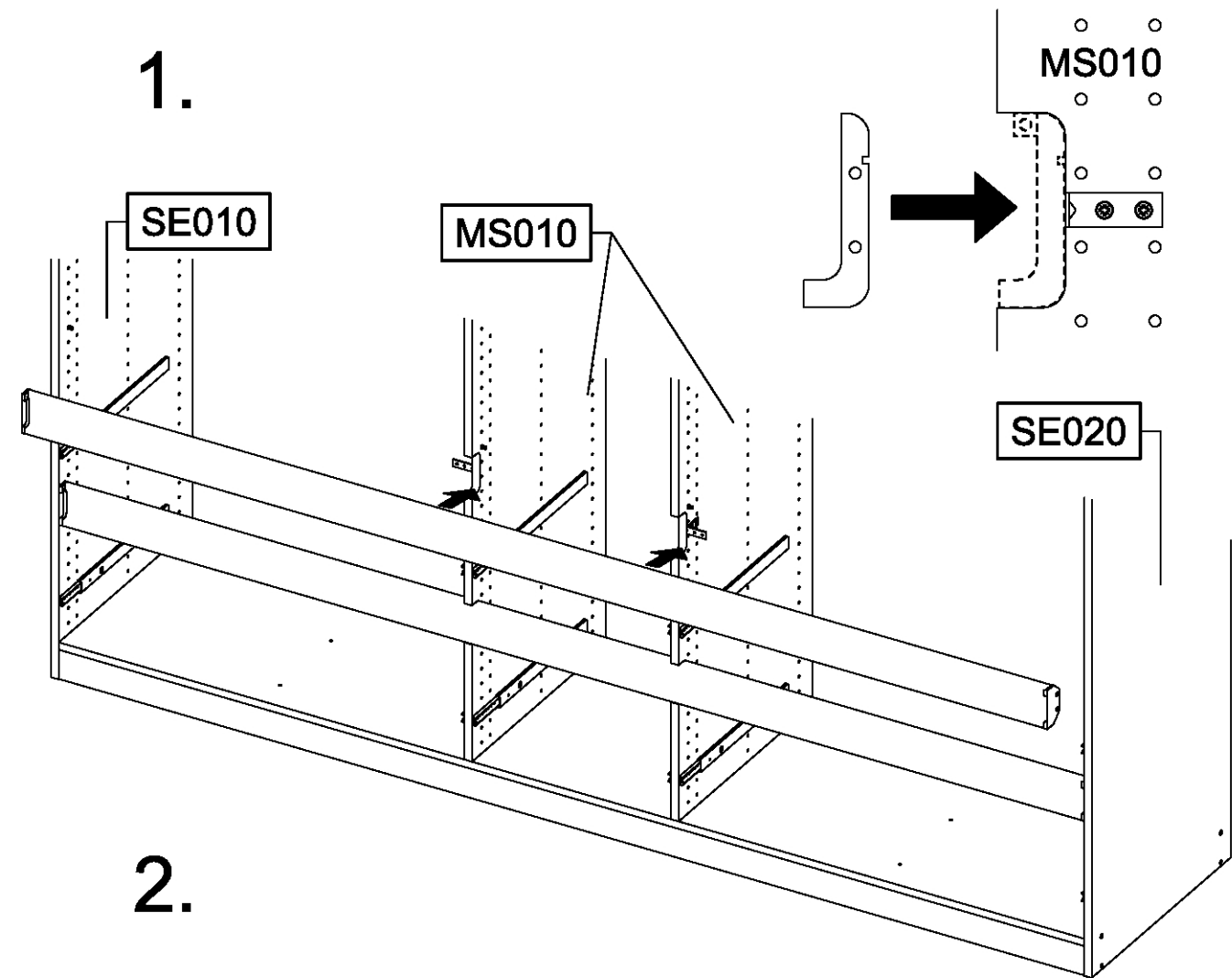
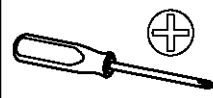


2.

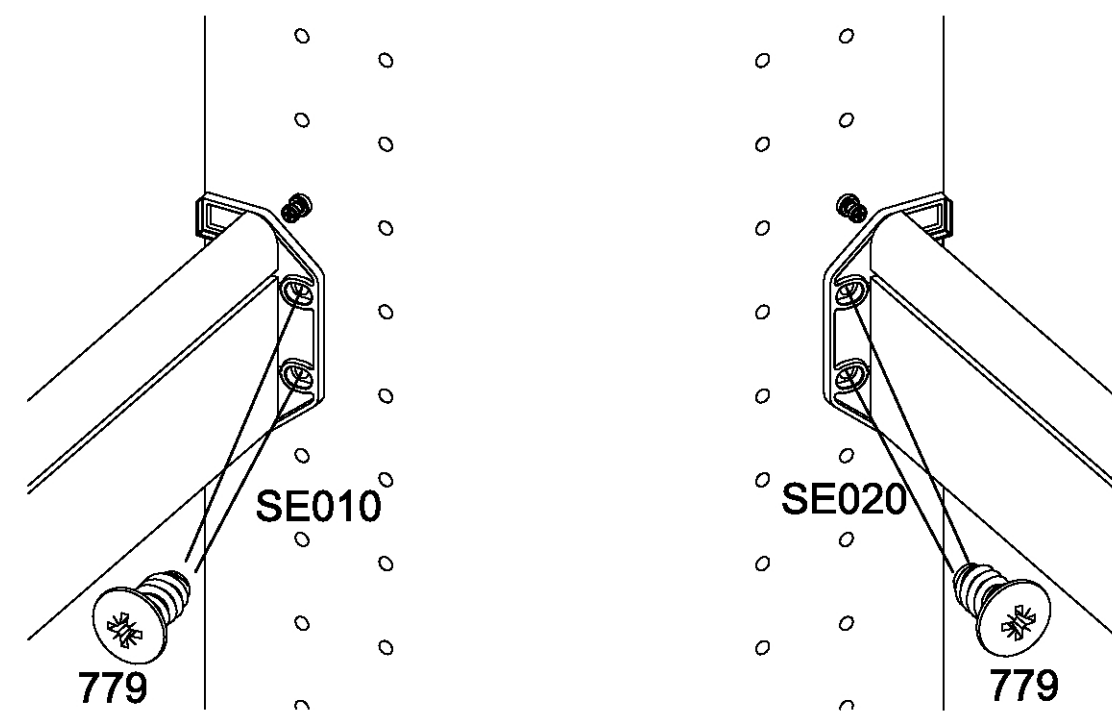


27

4x 6,5x12
779

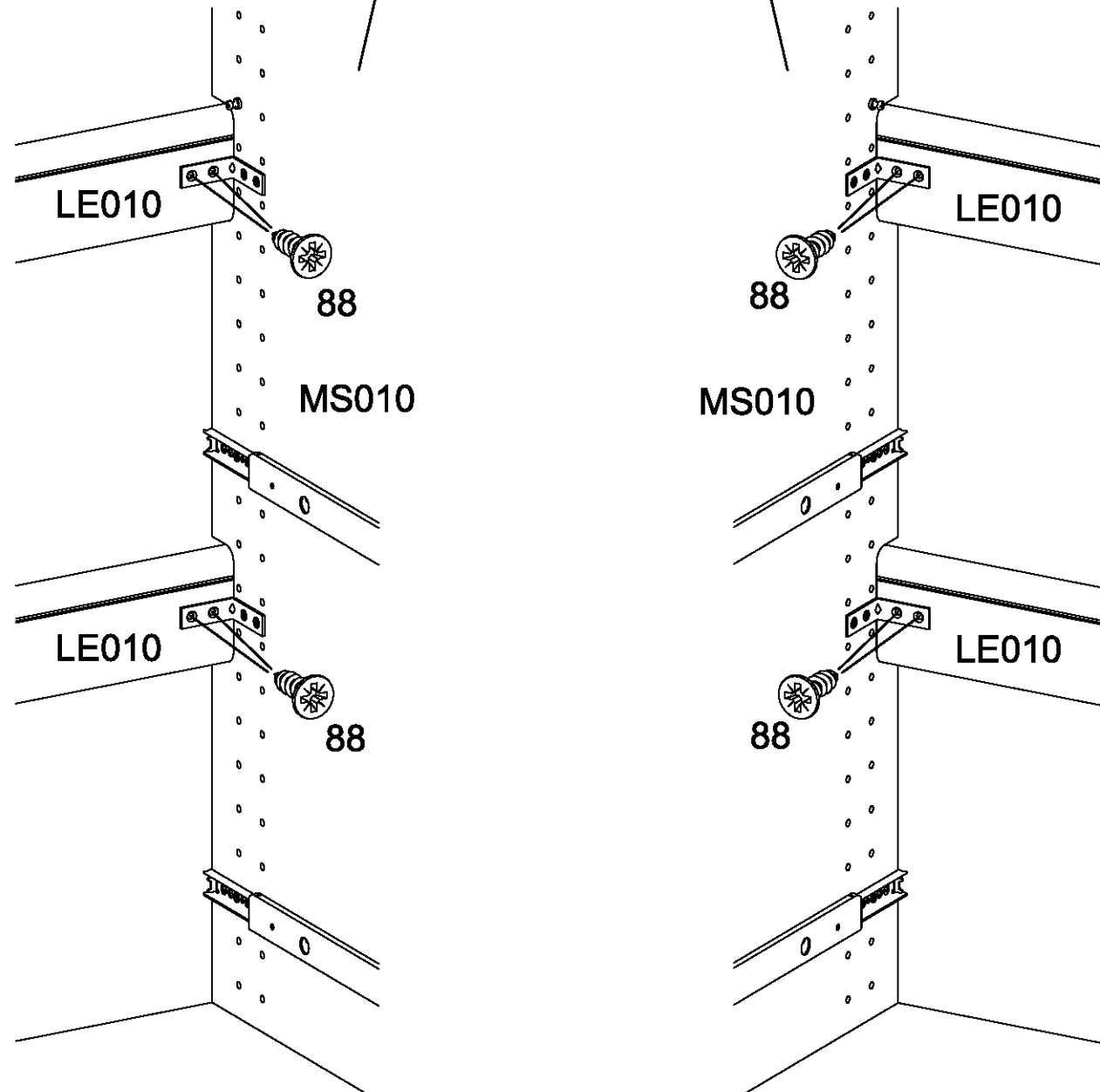
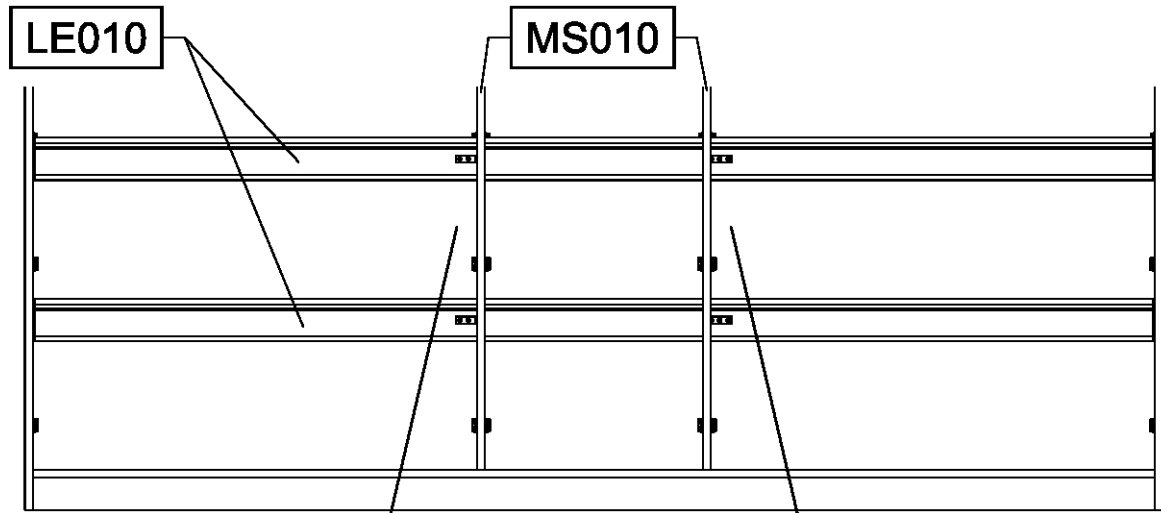


2.



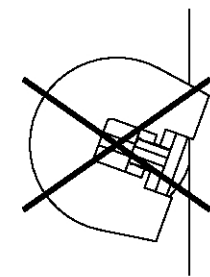
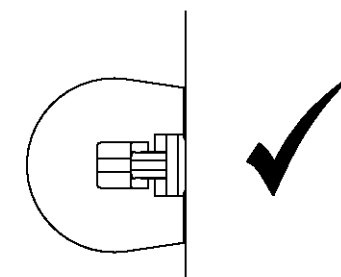
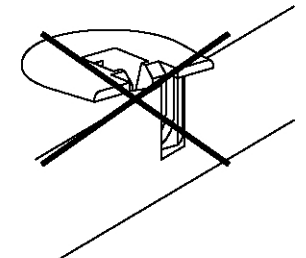
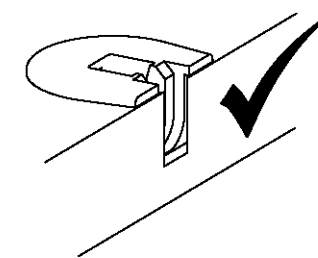
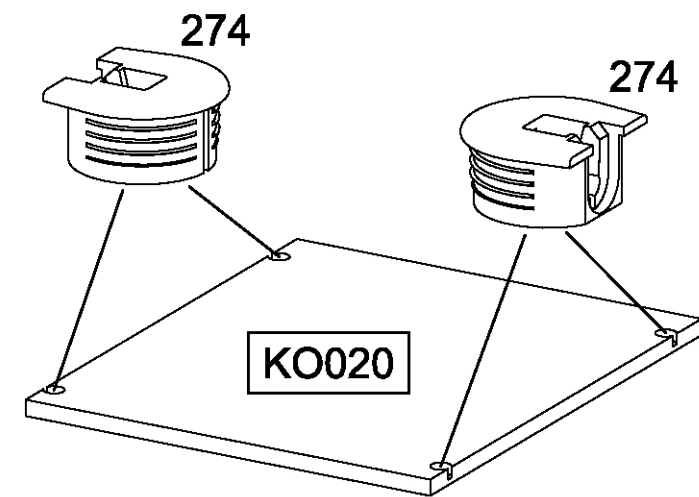
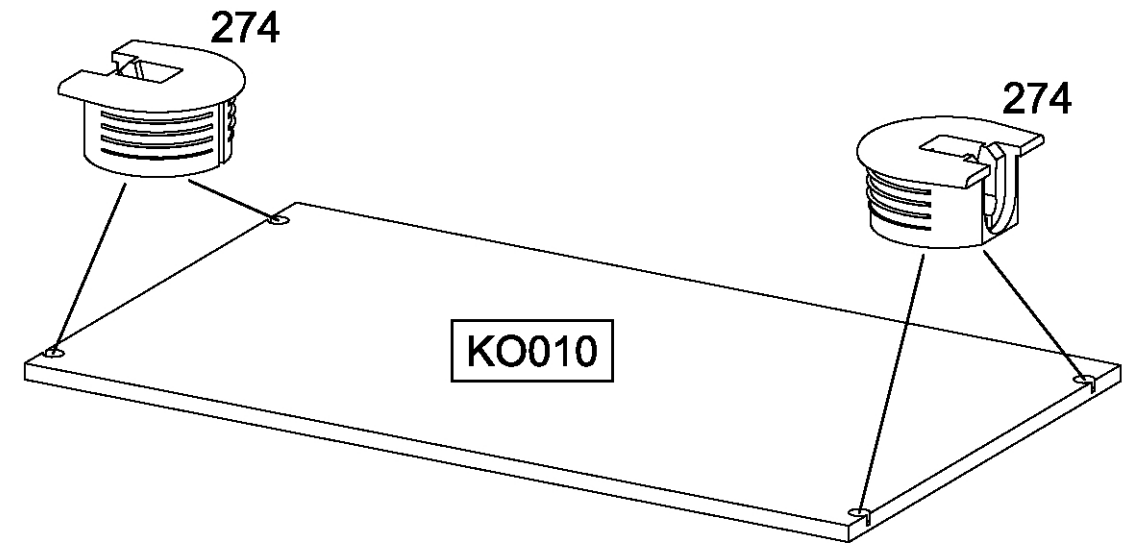
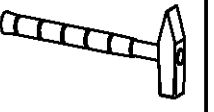
28

8x 3,5x12 88

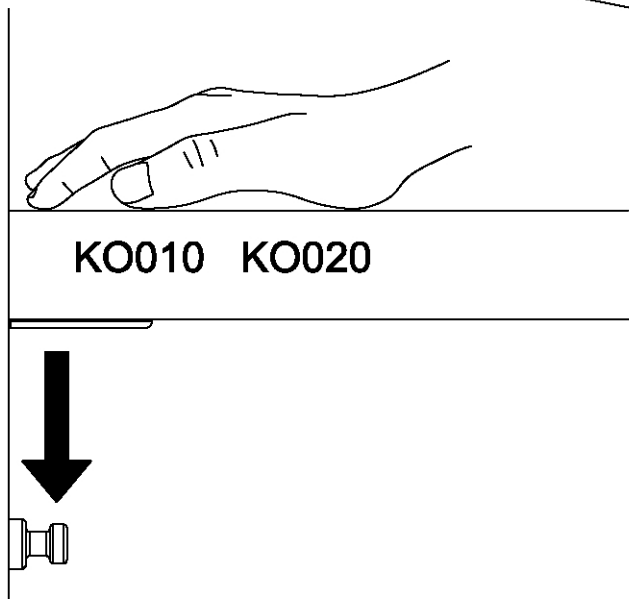
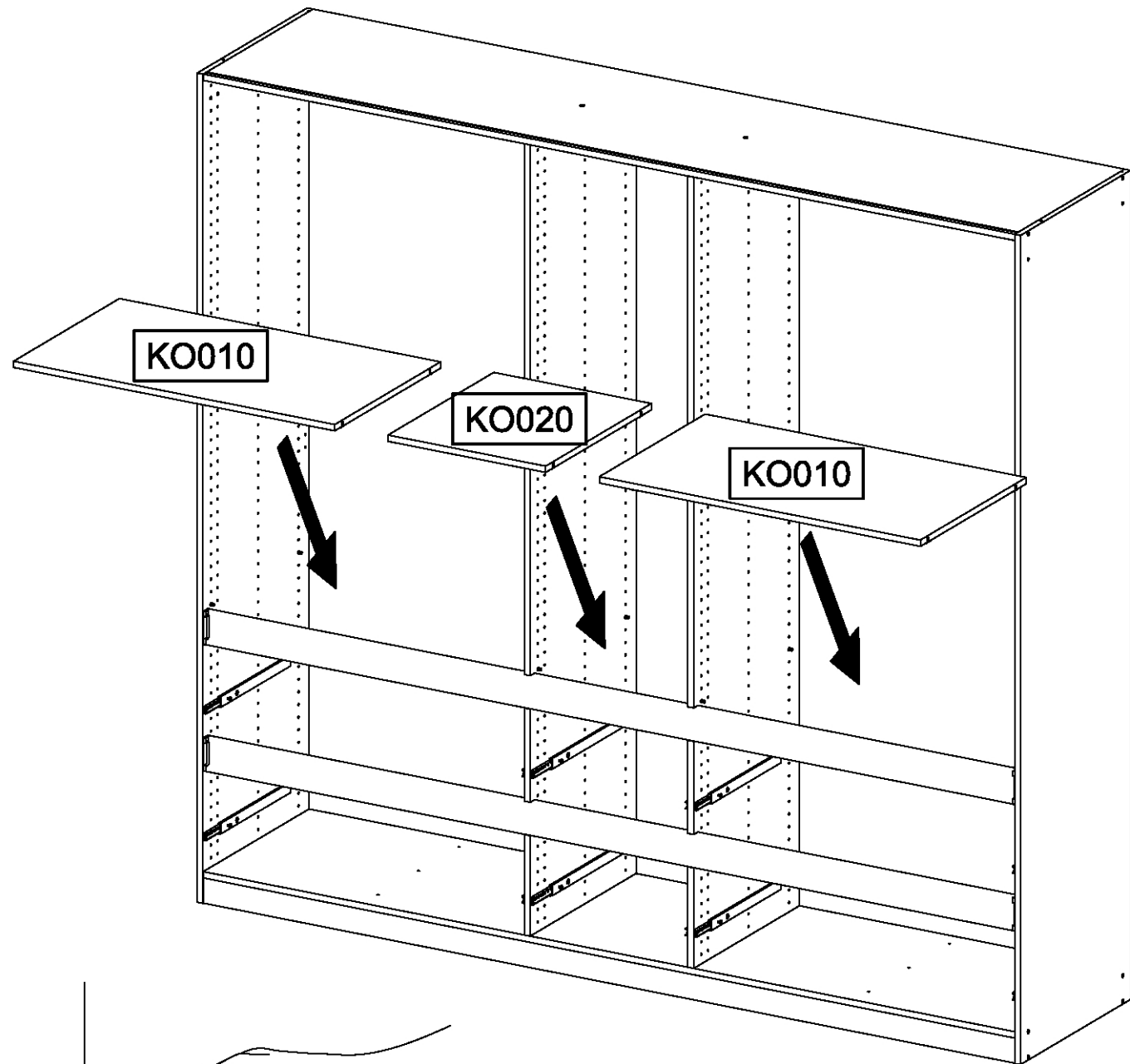


29

12x 274

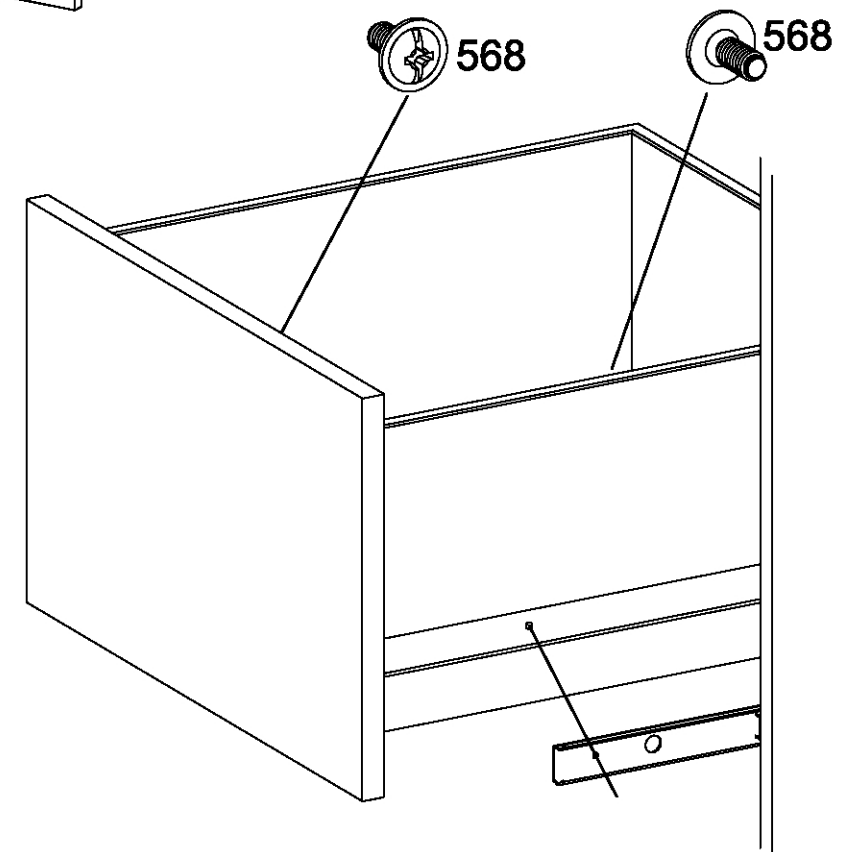
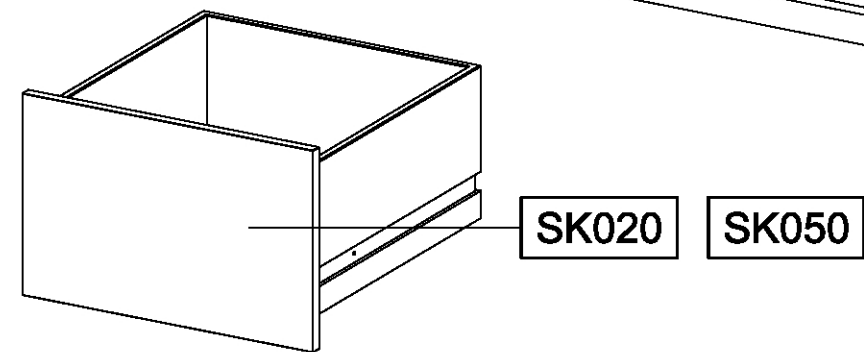
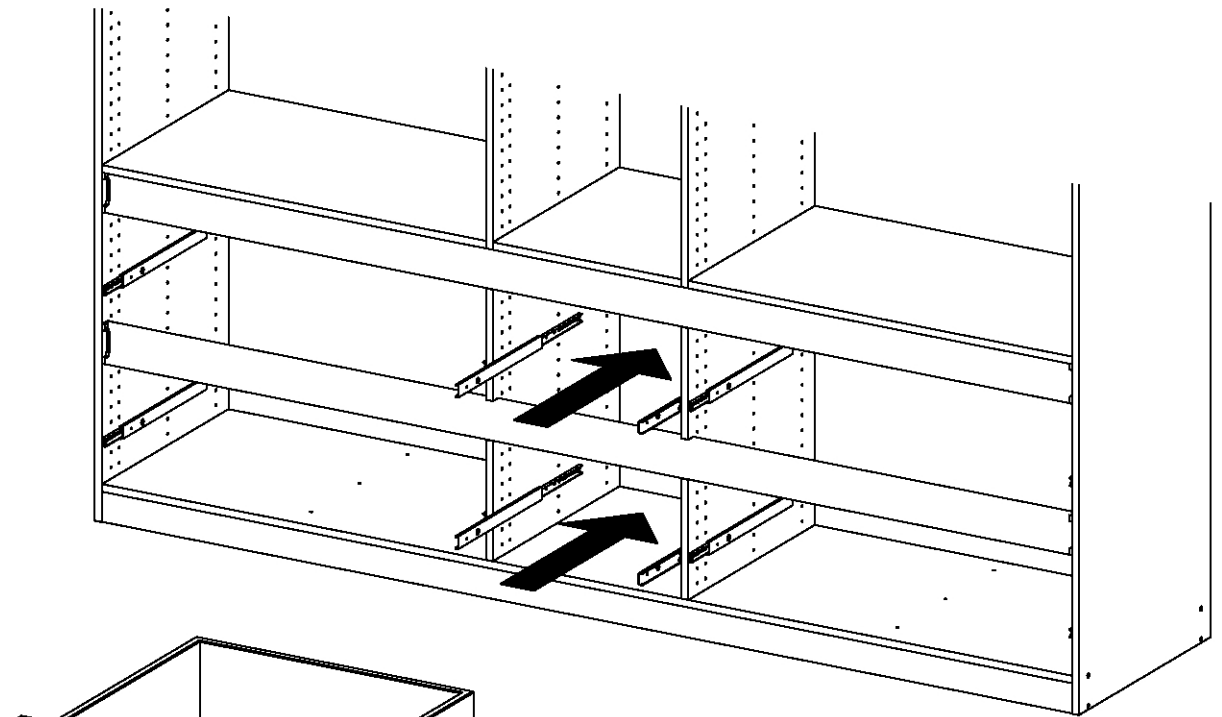
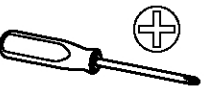


30



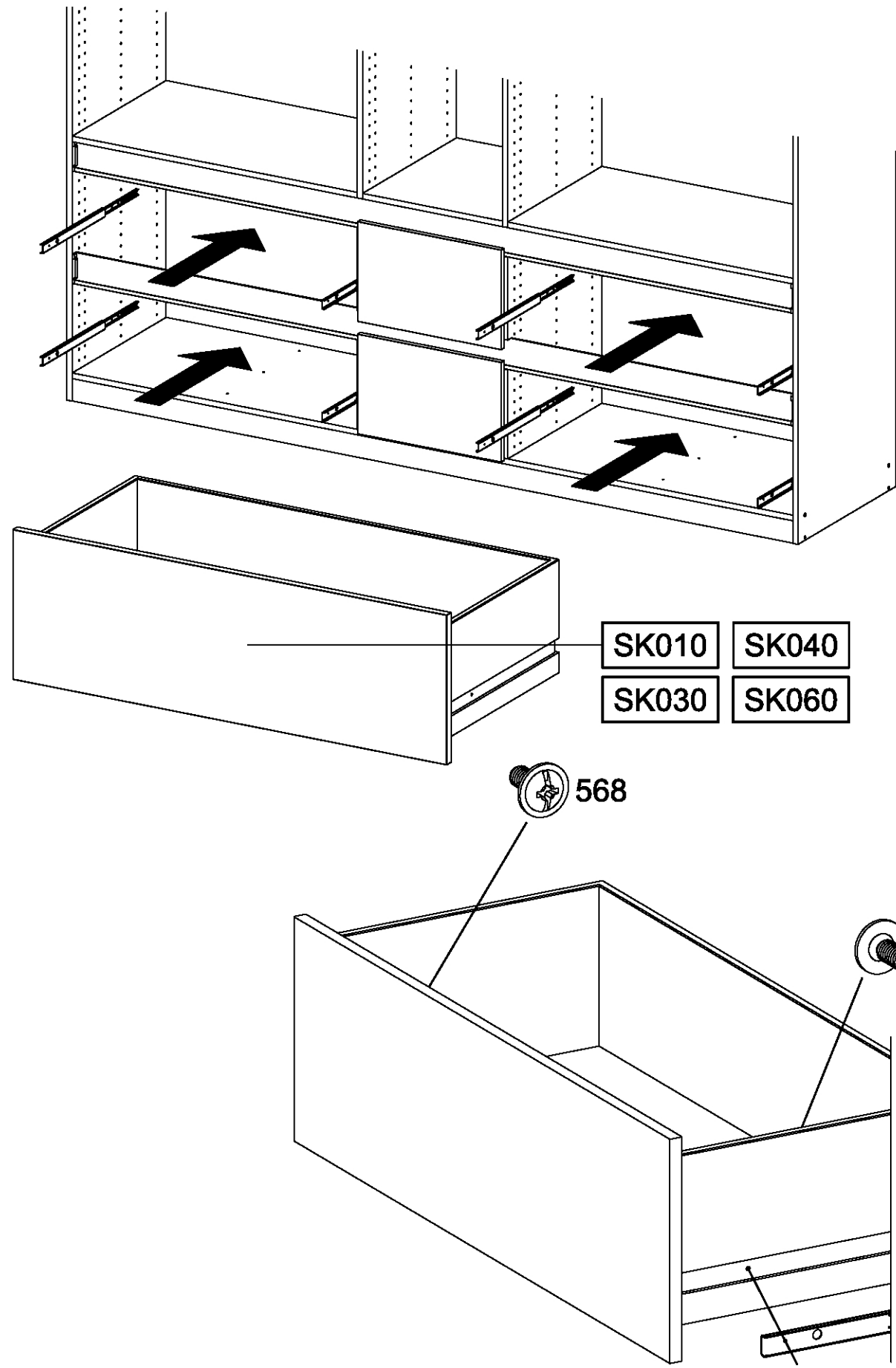
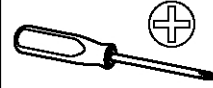
31

4x 568 M4x9



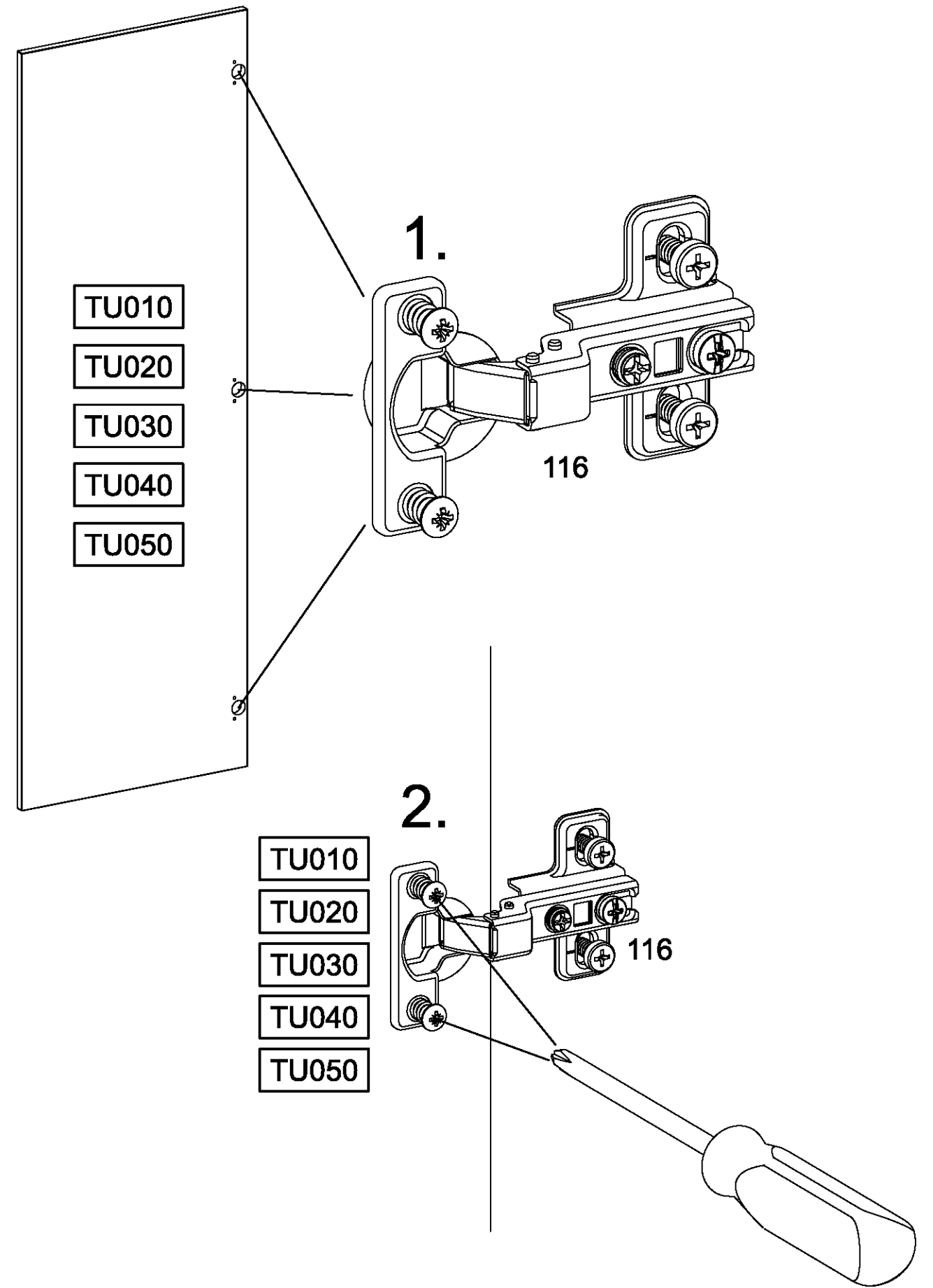
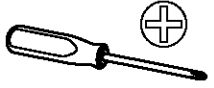
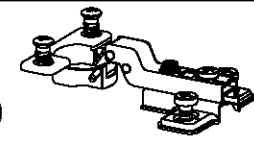
32

8x 568 M4x9

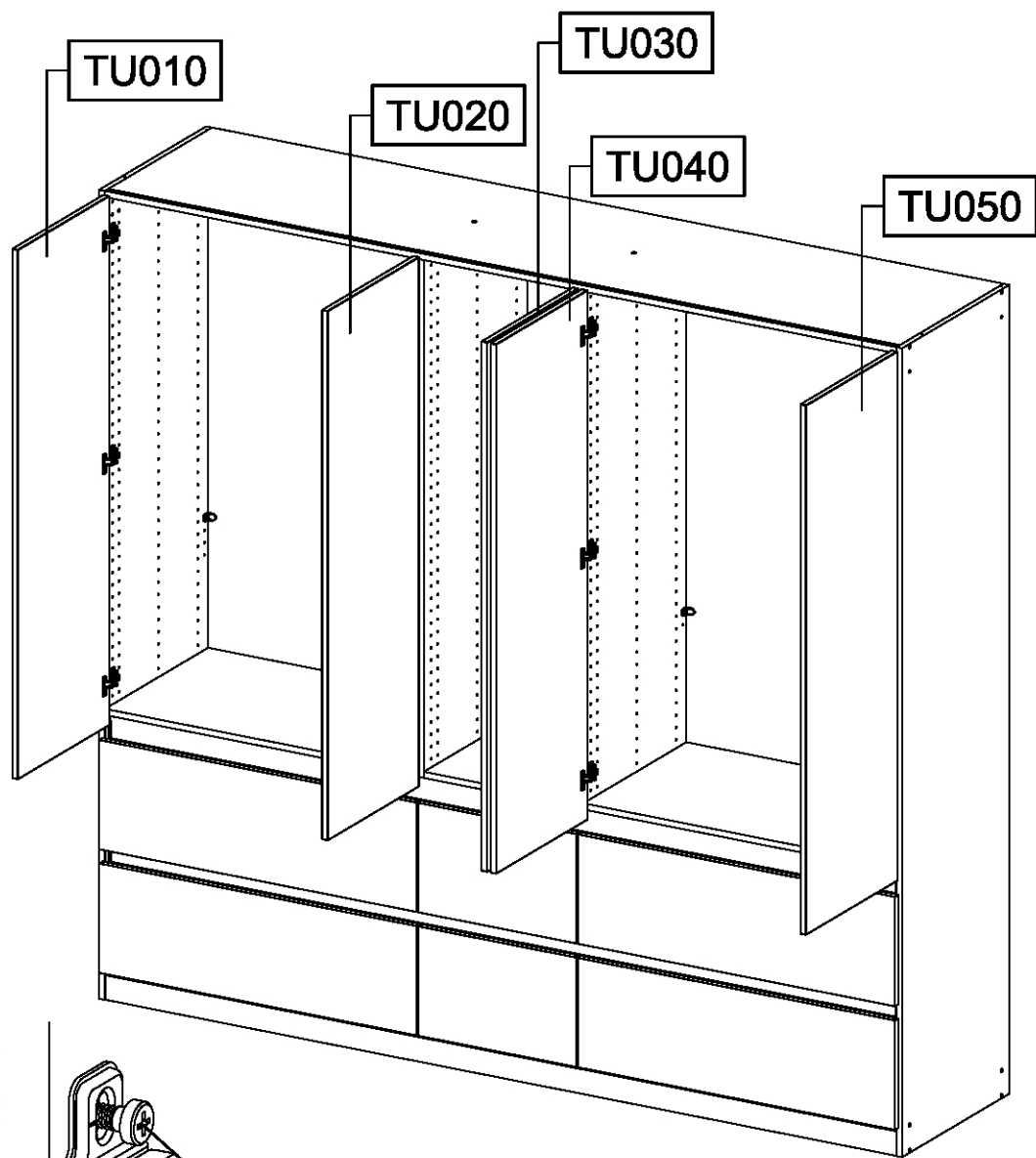


33

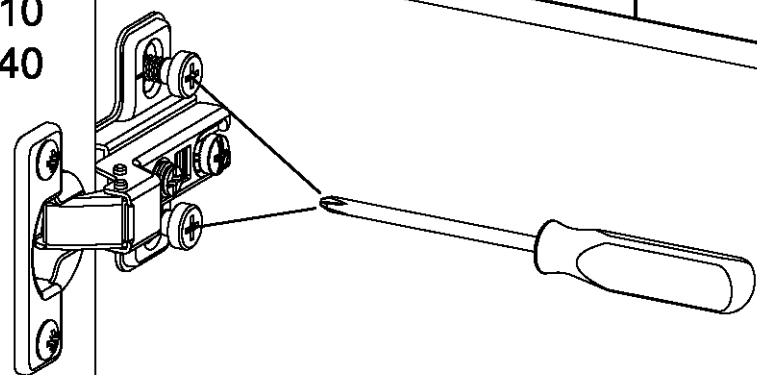
15x 116



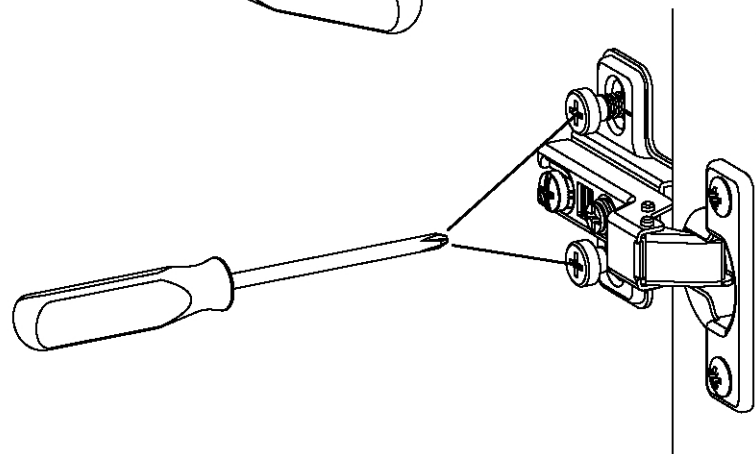
34



TU010
TU040



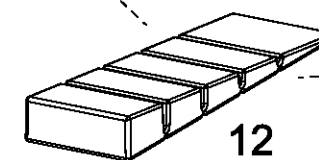
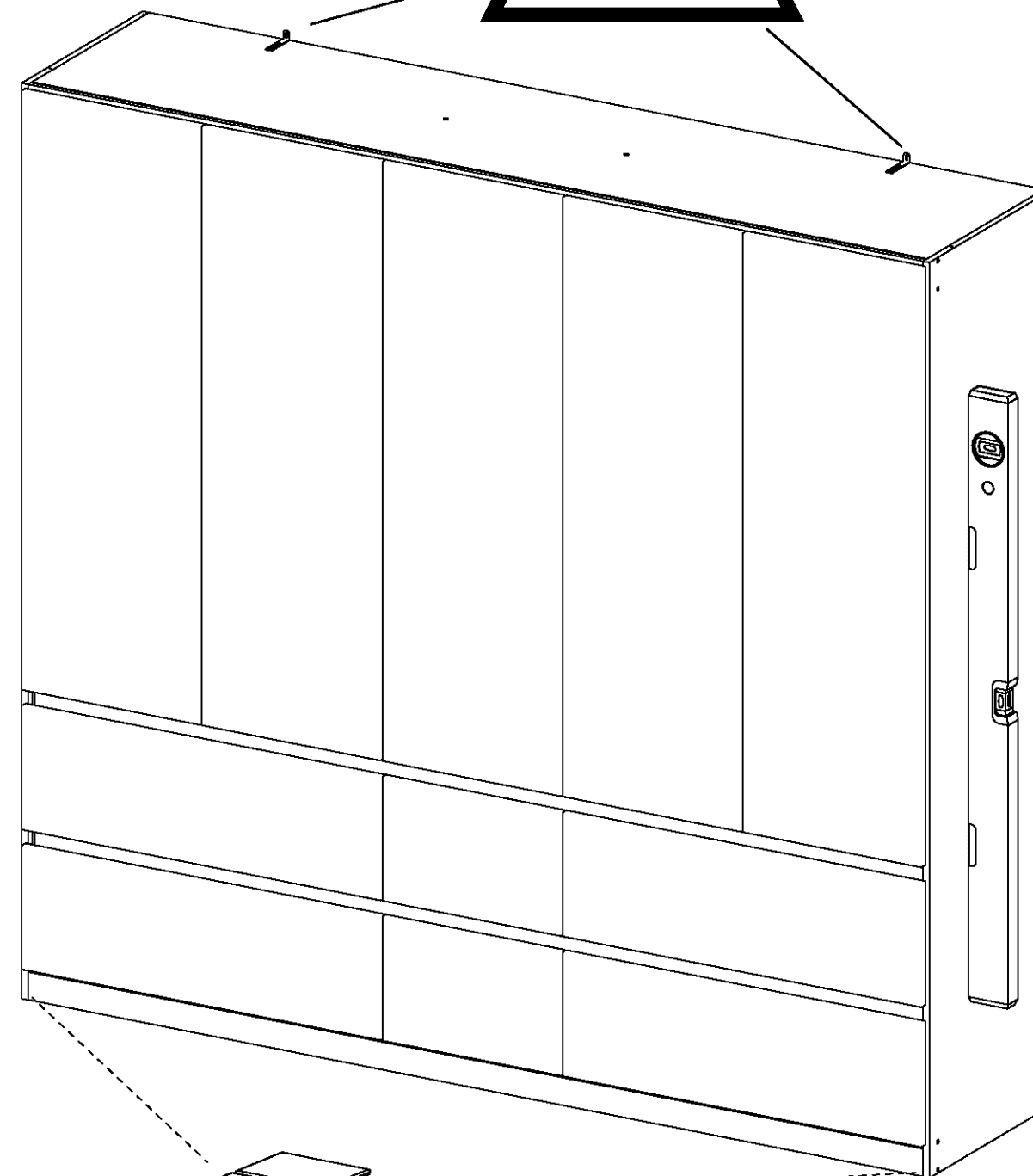
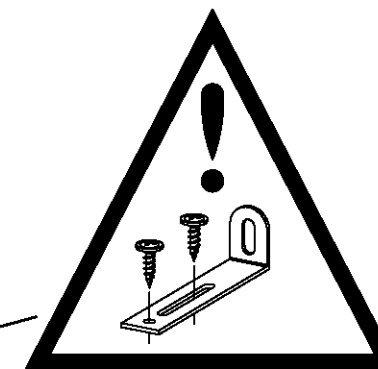
TU020
TU030
TU050



35

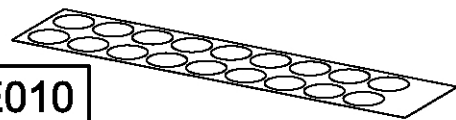
55x16x6,2

2x 12

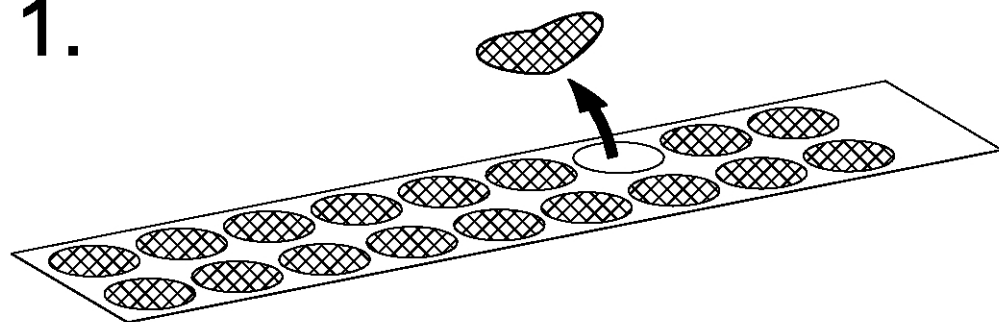


36

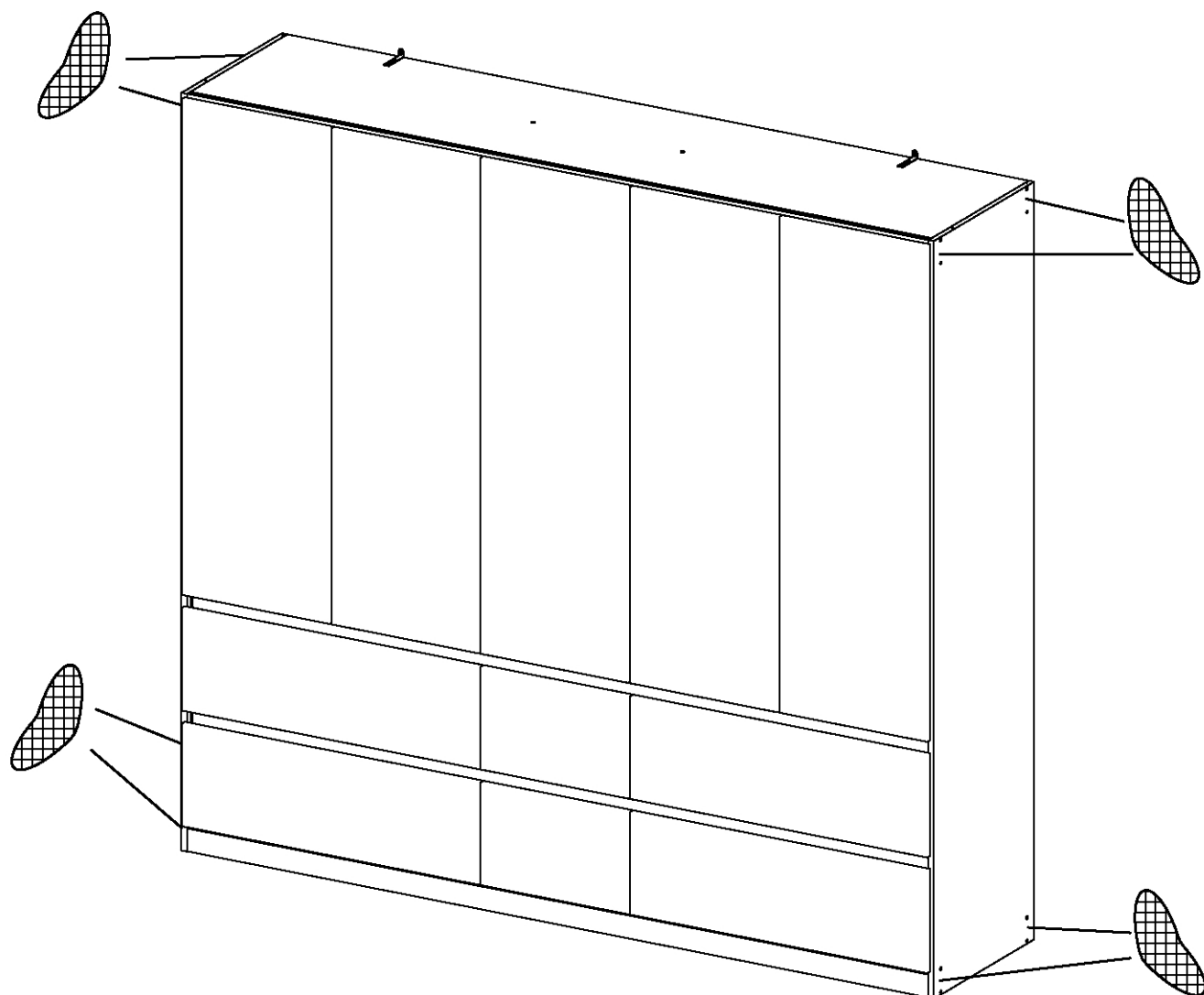
1x RE010



1.



2.



37

