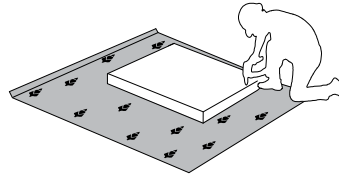
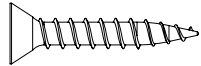
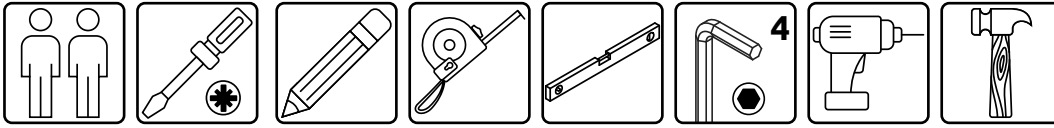
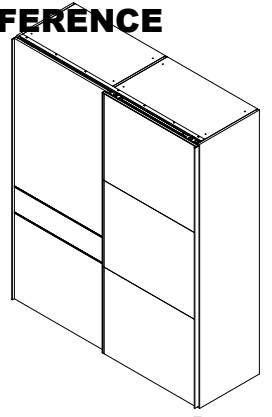
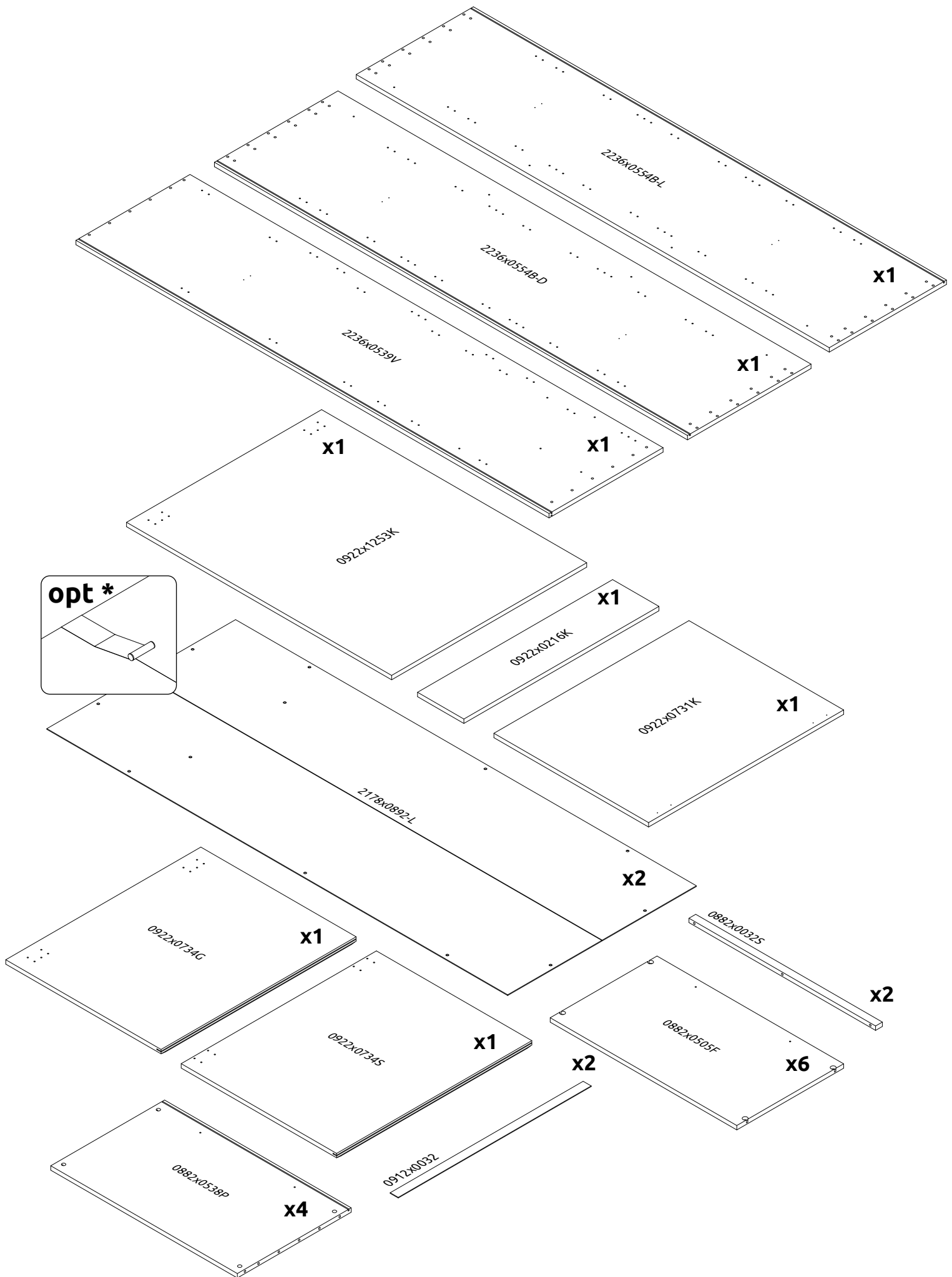


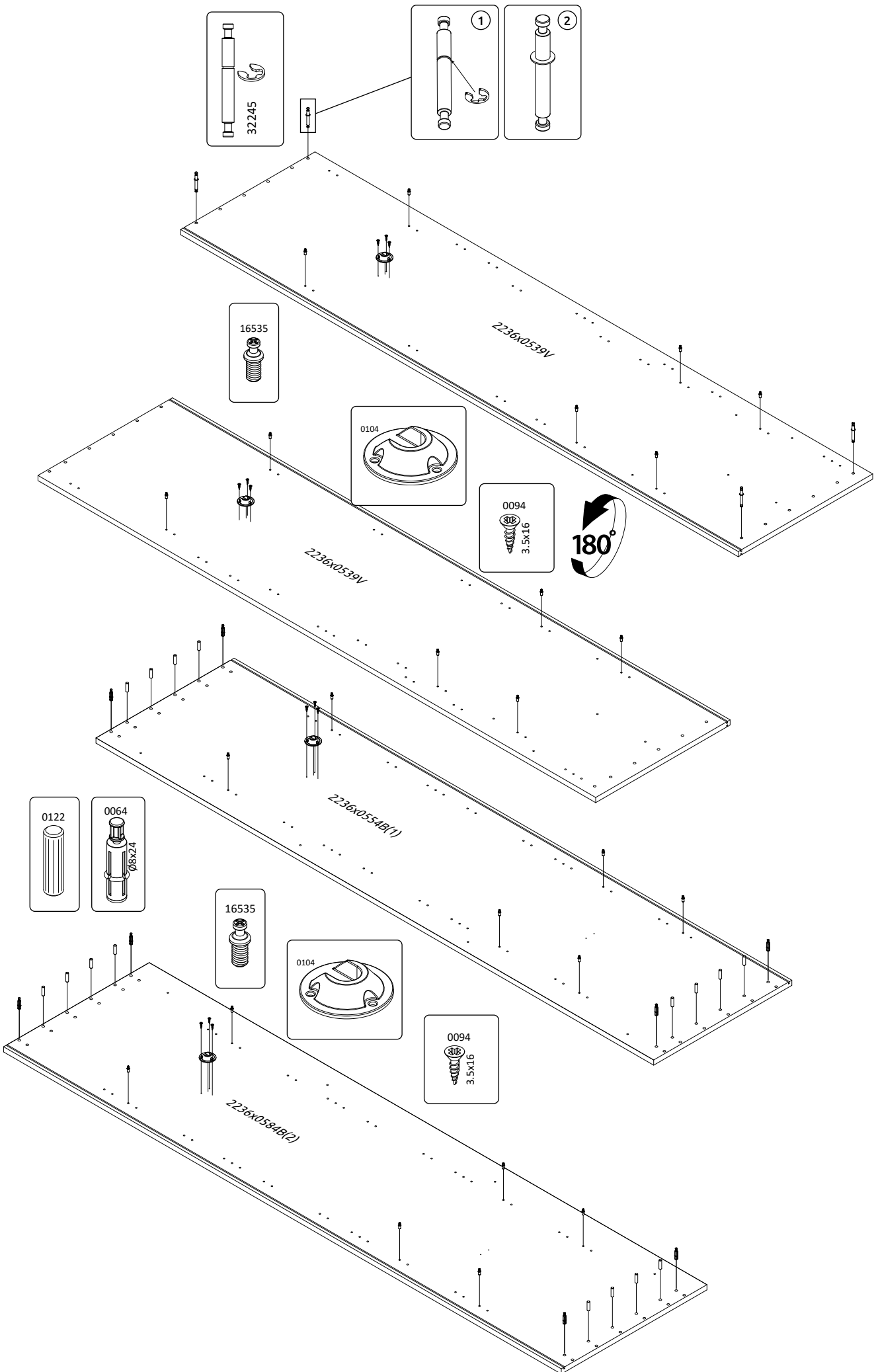
**IMPORTANT – READ CAREFULLY – RETAIN FOR FUTURE REFERENCE**  
**WICHTIG – SORGFÄLTIG LESEN UND AUFBEWAHREN**

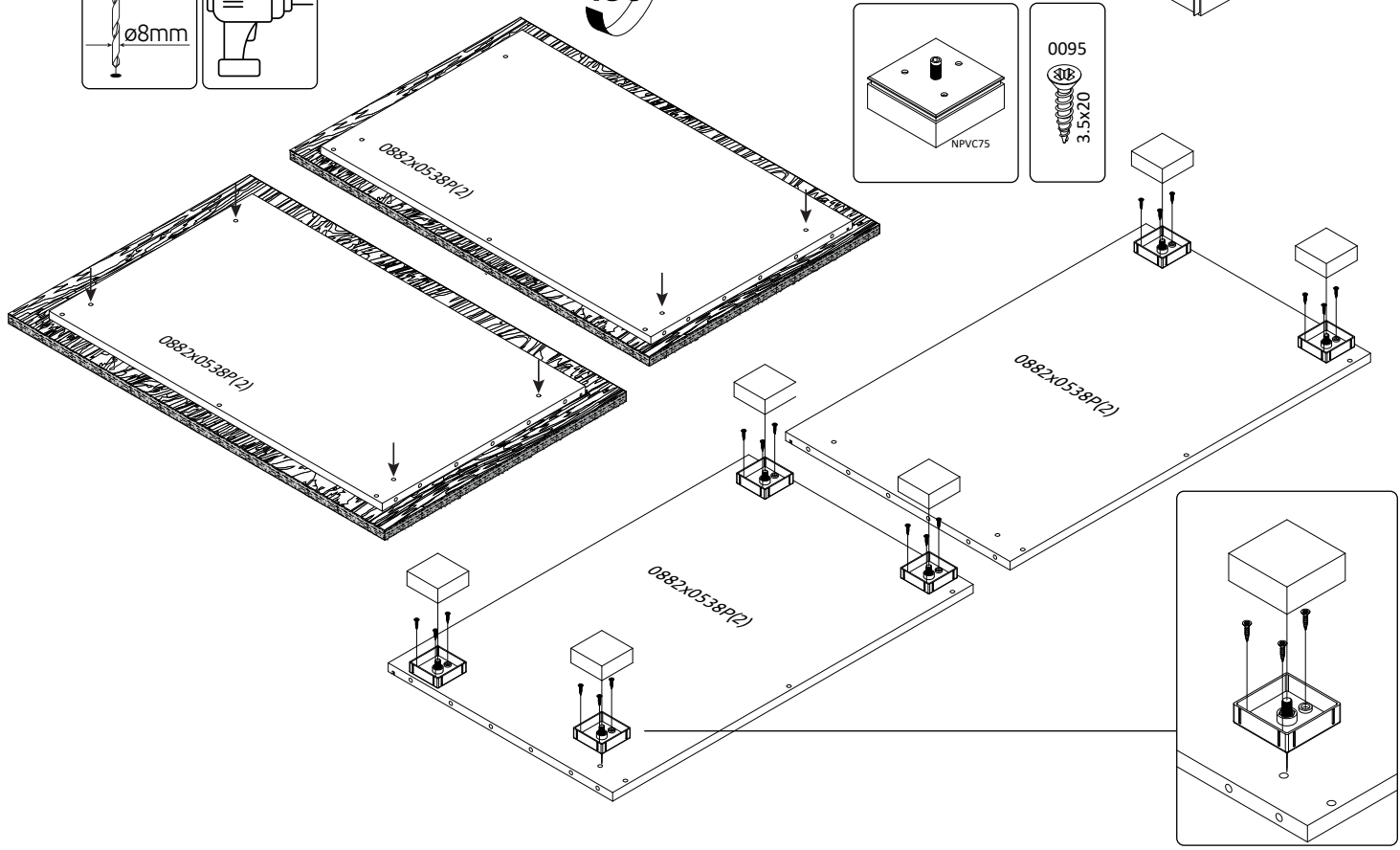
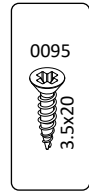
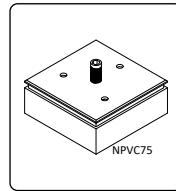
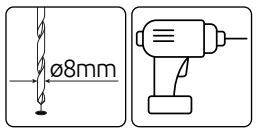
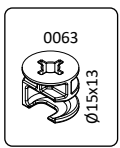
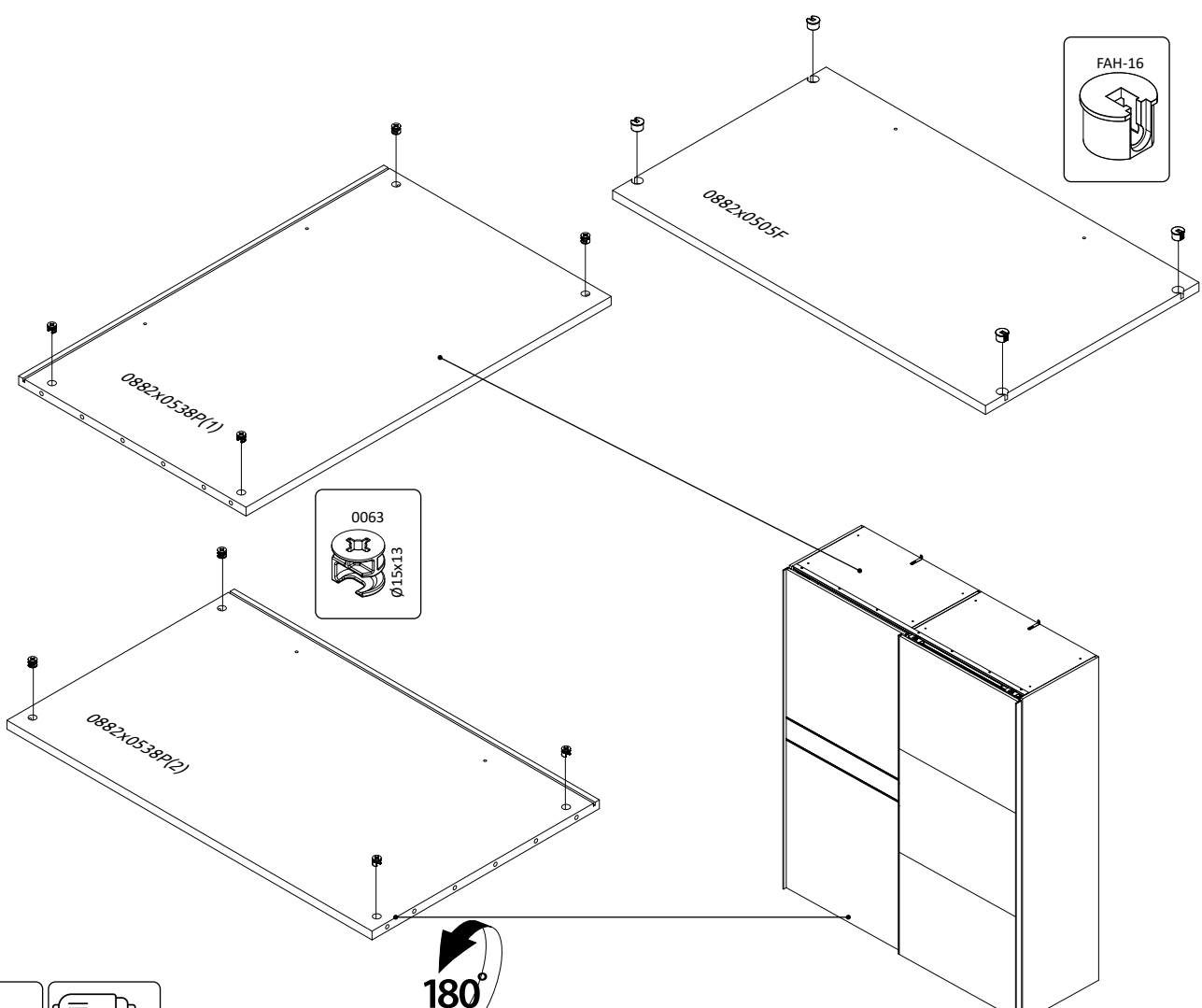


**PK181-OG/GL**  
 LWH - 1818x611x2236

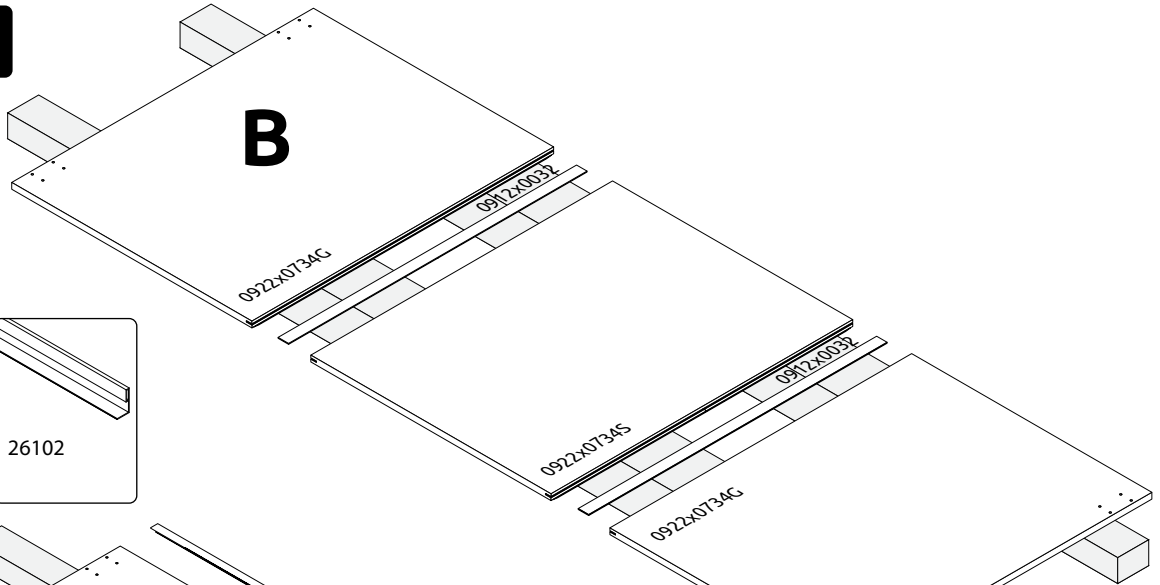
<b>x24</b> 2149 	<b>x16</b> 0063 Ø15x13 	<b>x8</b> 0064 Ø8x24 	<b>x24</b> 16535 	<b>x16</b> 0102 	<b>x16</b> EKSK4-BE 	<b>x2</b> 2114 4x35 	<b>x56</b> 0094 3.5x16 	<b>x48</b> 31777 4.2x16 	<b>x12</b> 0096 4x18 
<b>x2</b> 7004 	<b>x2</b> 30812 	<b>x2</b> 36918 	<b>x2</b> 26102 	<b>x1</b> 46944 	<b>x1</b> 46947 	<b>x1</b> 0113 GLUE 			
<b>x1</b> 46950 	<b>x6</b> NPVC75 	<b>x1</b> 46953 							
<b>x20</b> CEP8 	<b>x24</b> FAH-16 	<b>x30</b> 0122 	<b>x4</b> 32245 						
<b>x4</b> 0104 	<b>x2</b> 10397 								
<b>x24</b> 36894 									



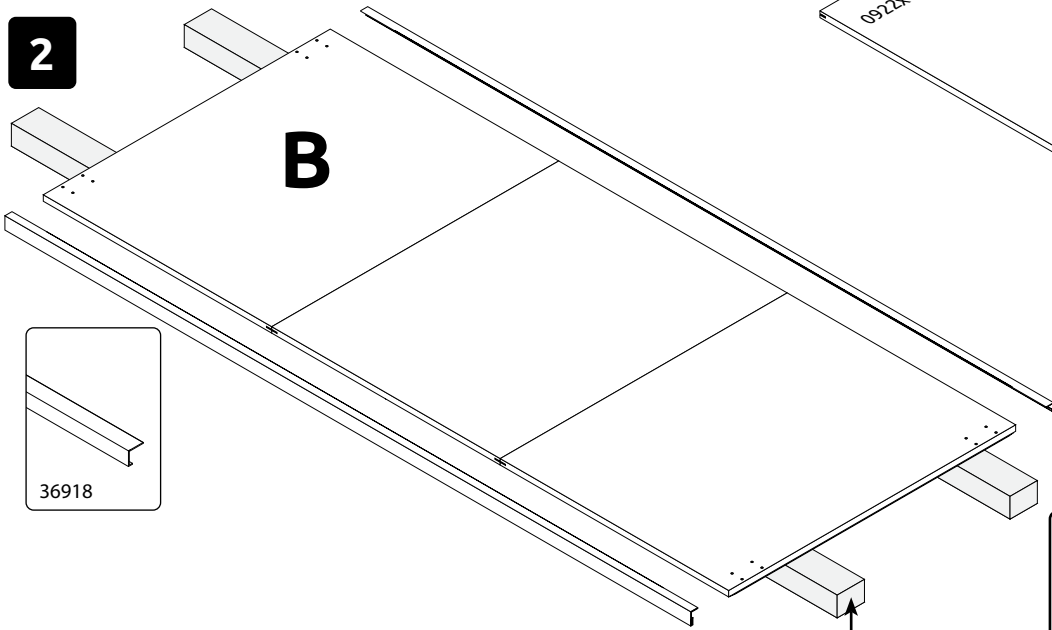




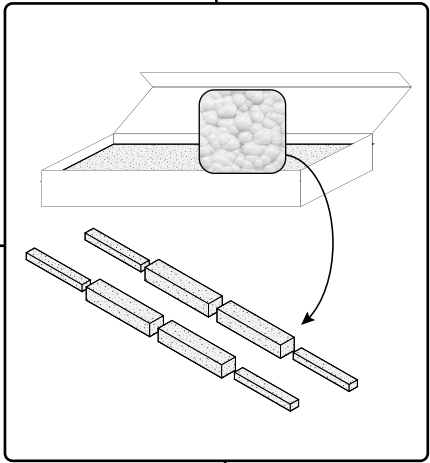
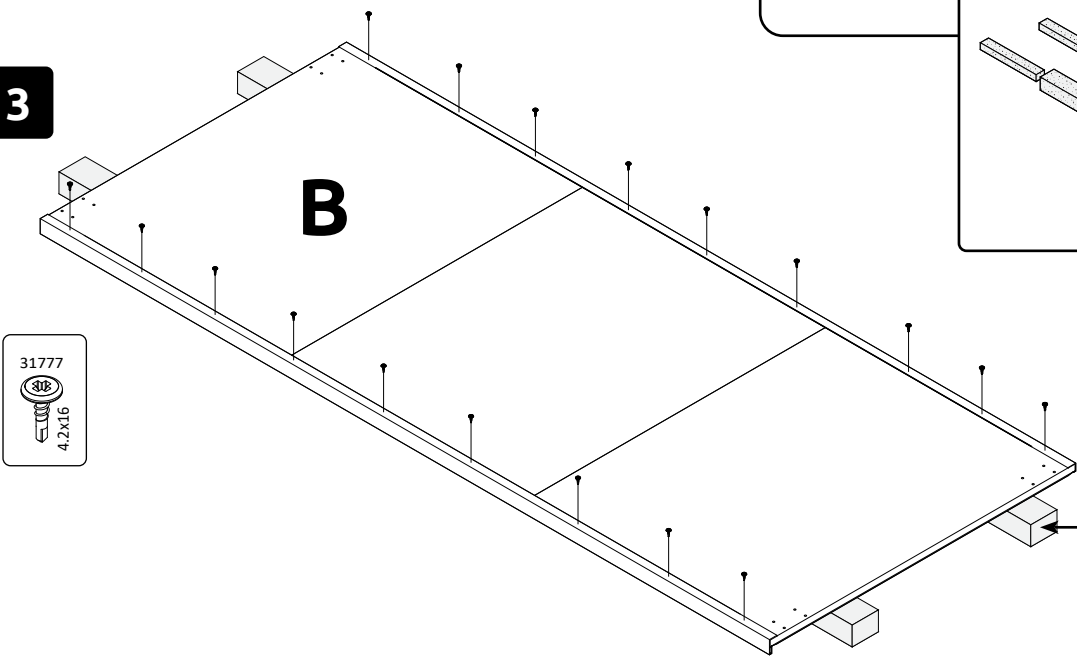
**1**



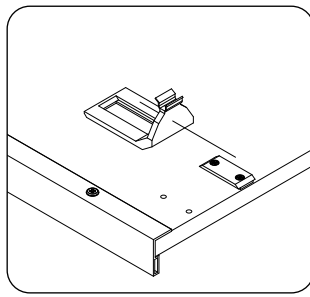
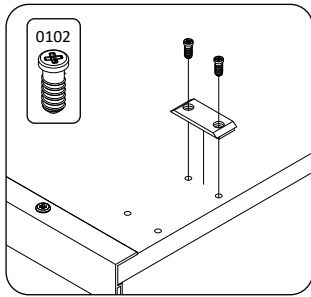
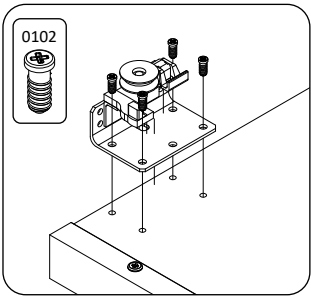
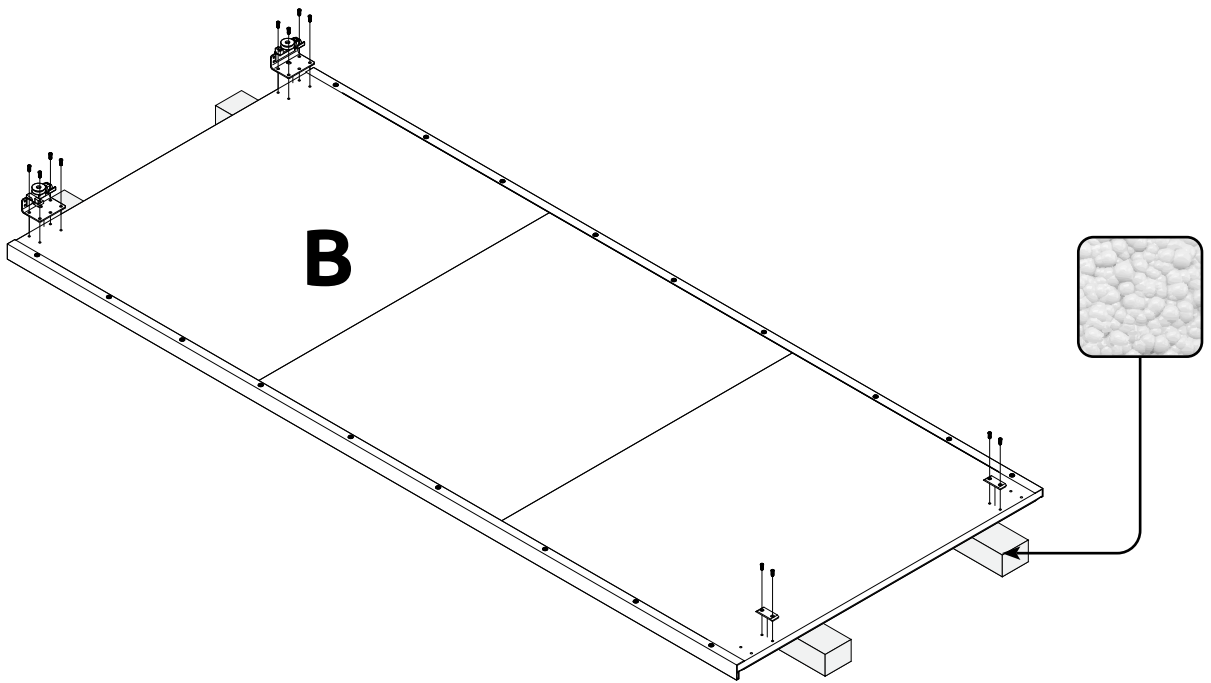
**2**



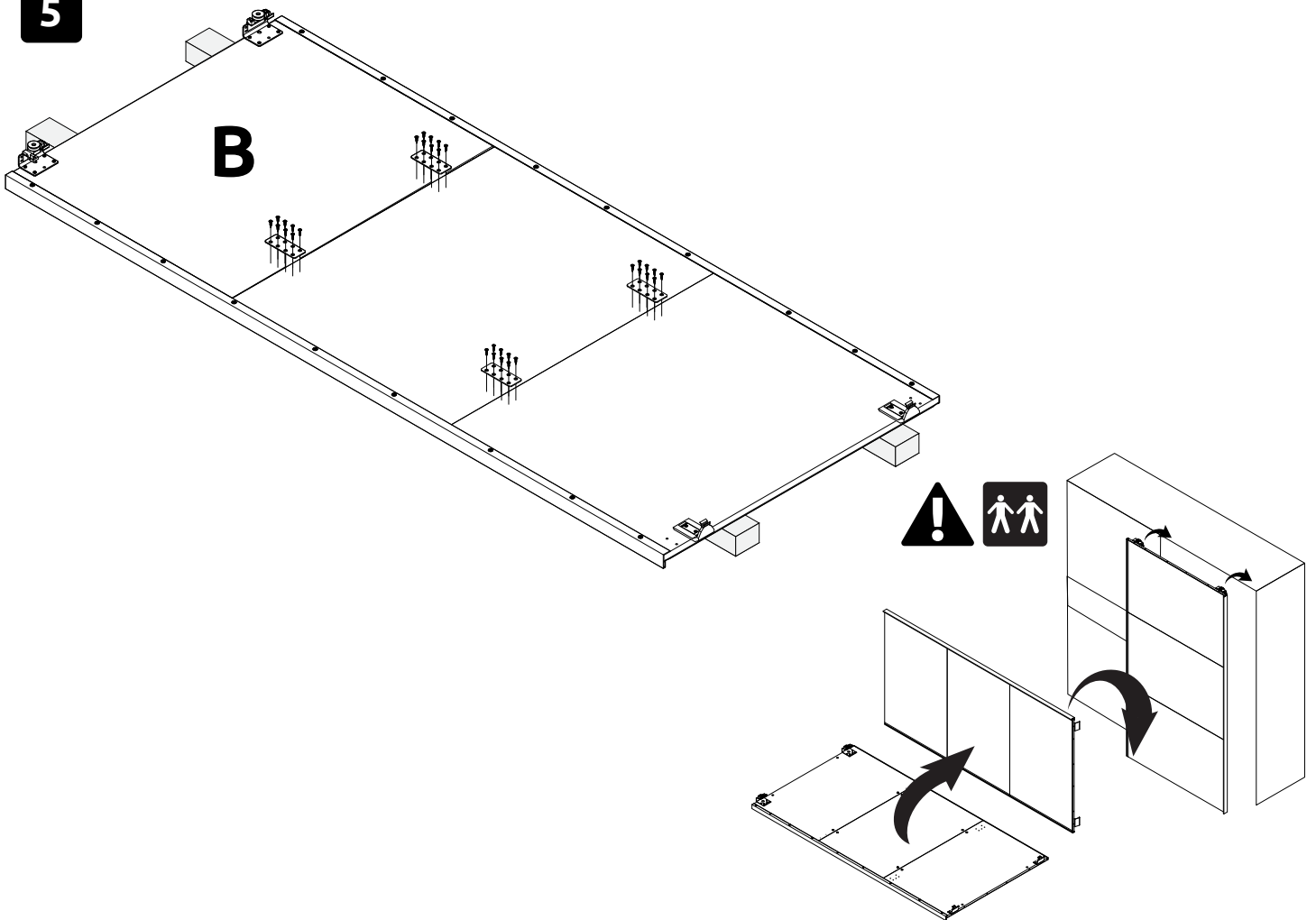
**3**



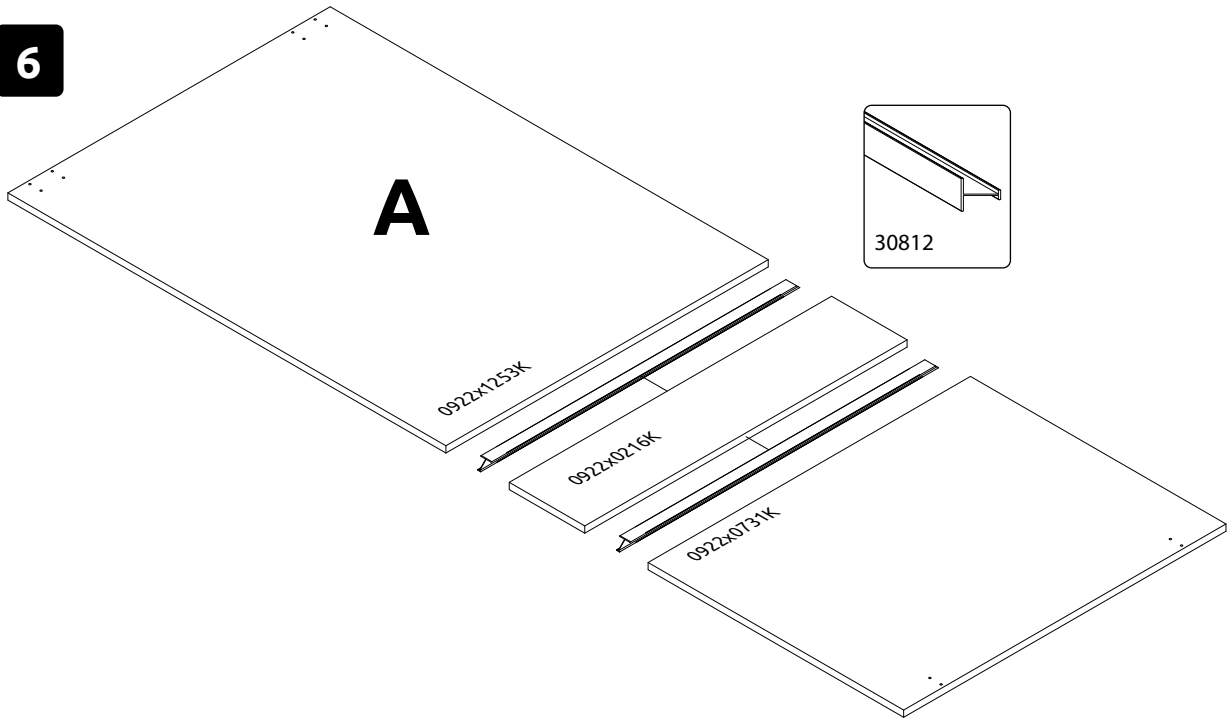
4



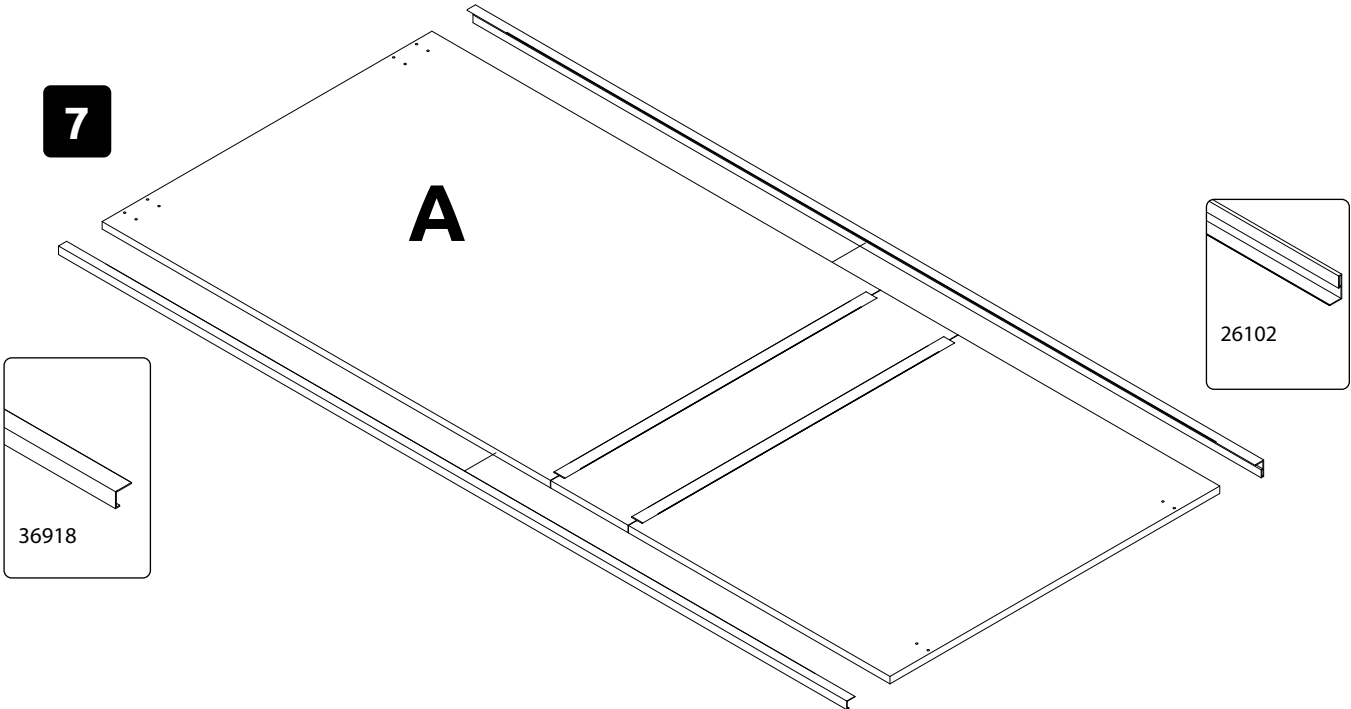
5



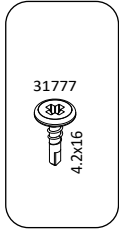
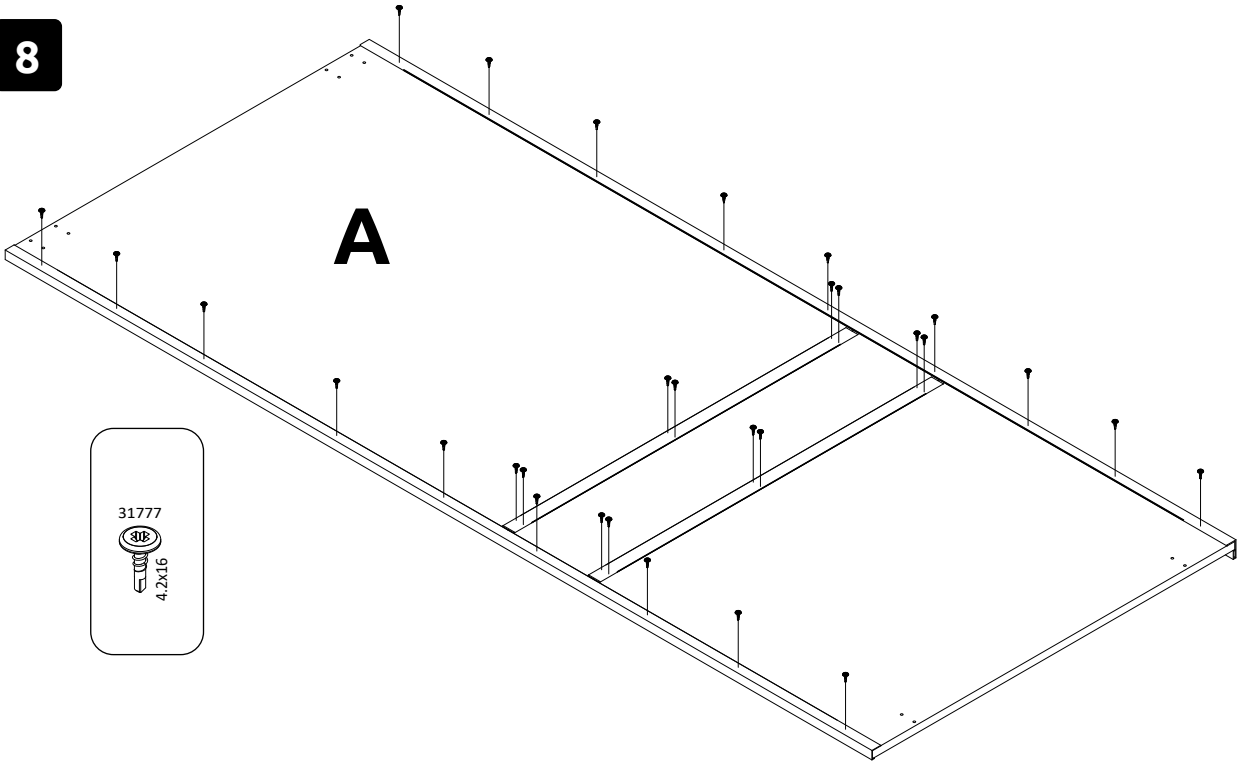
**6**



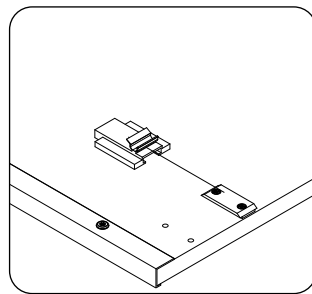
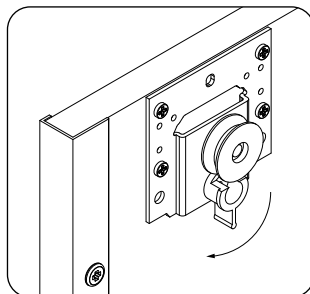
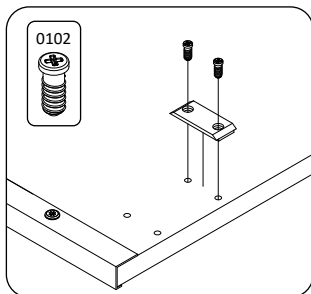
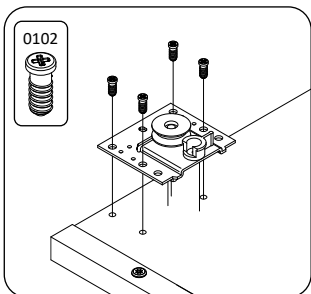
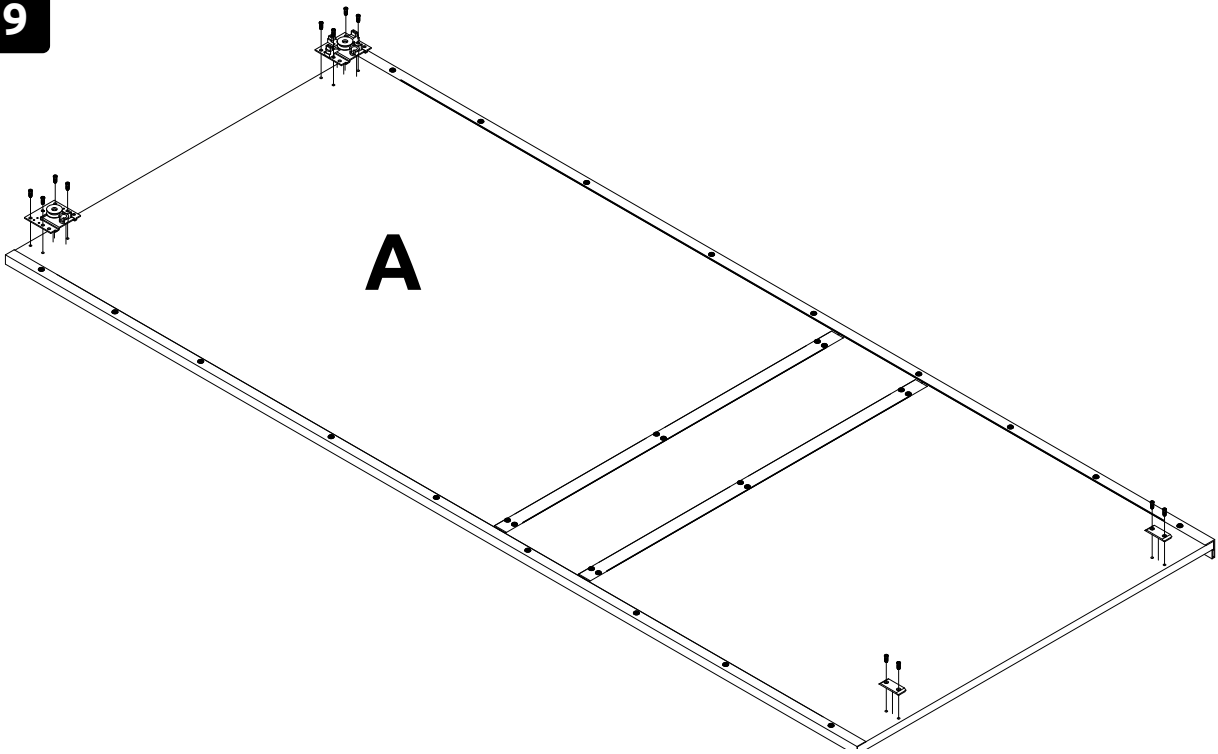
**7**



8

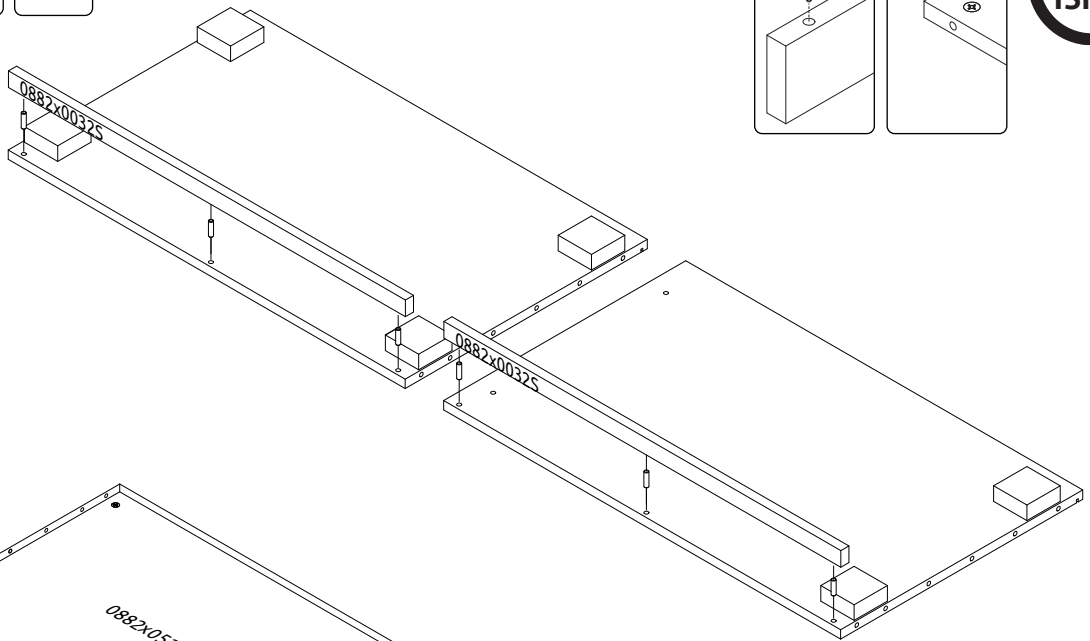
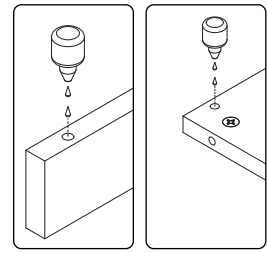
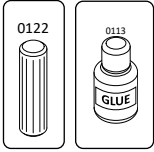


9

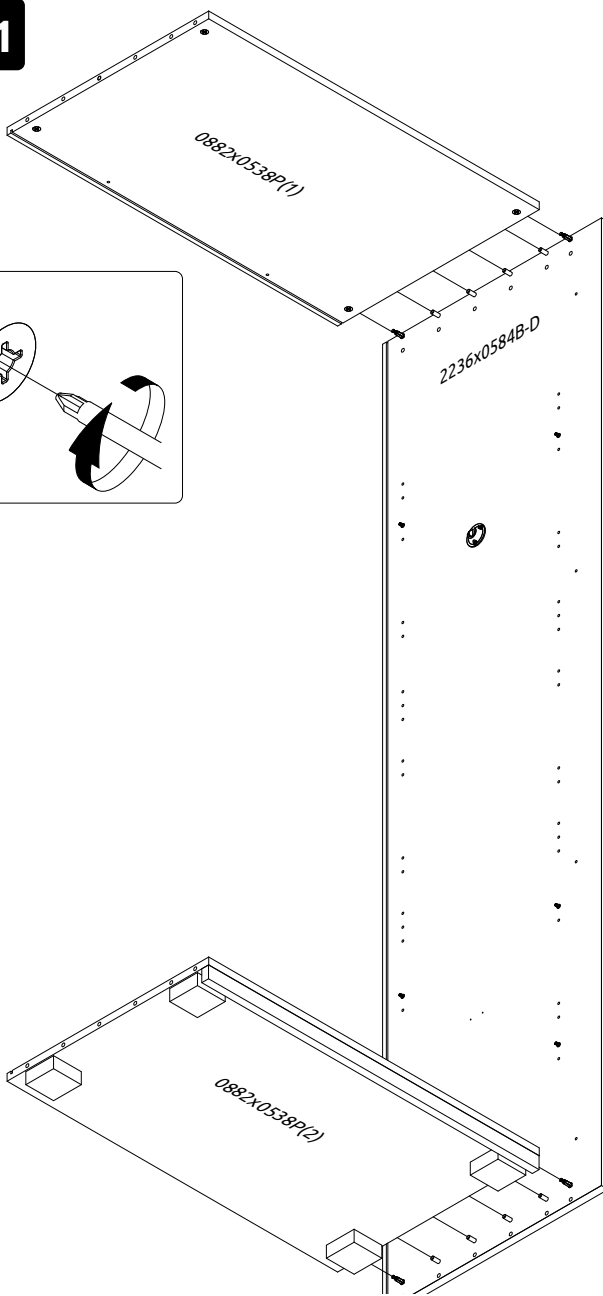
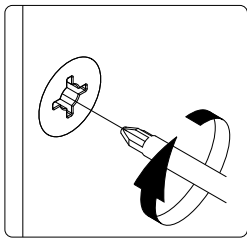




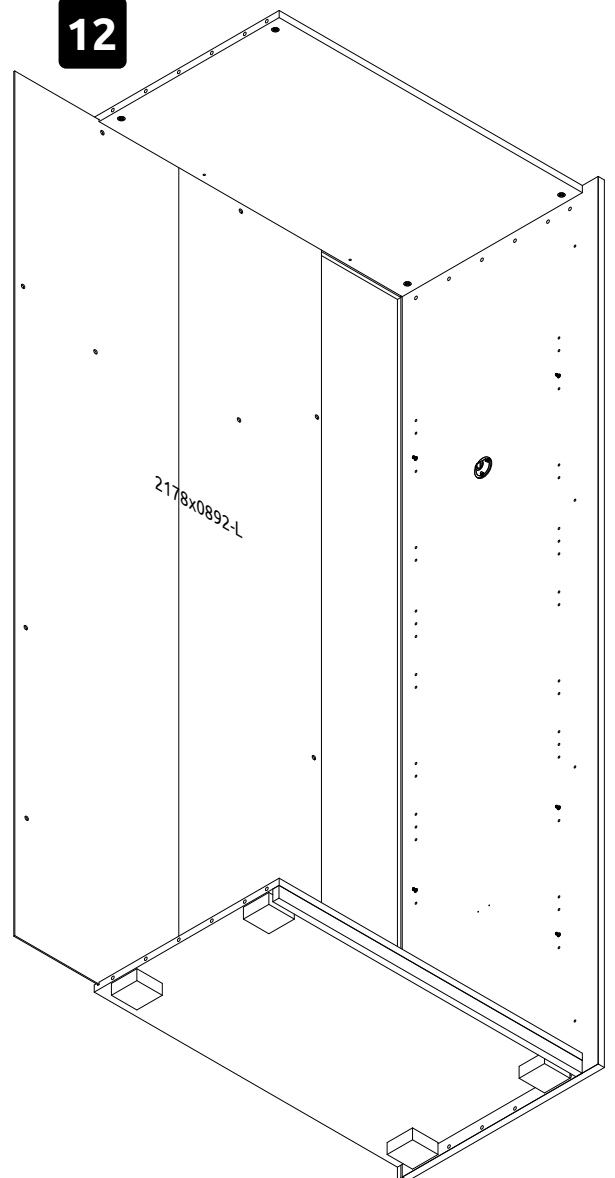
10



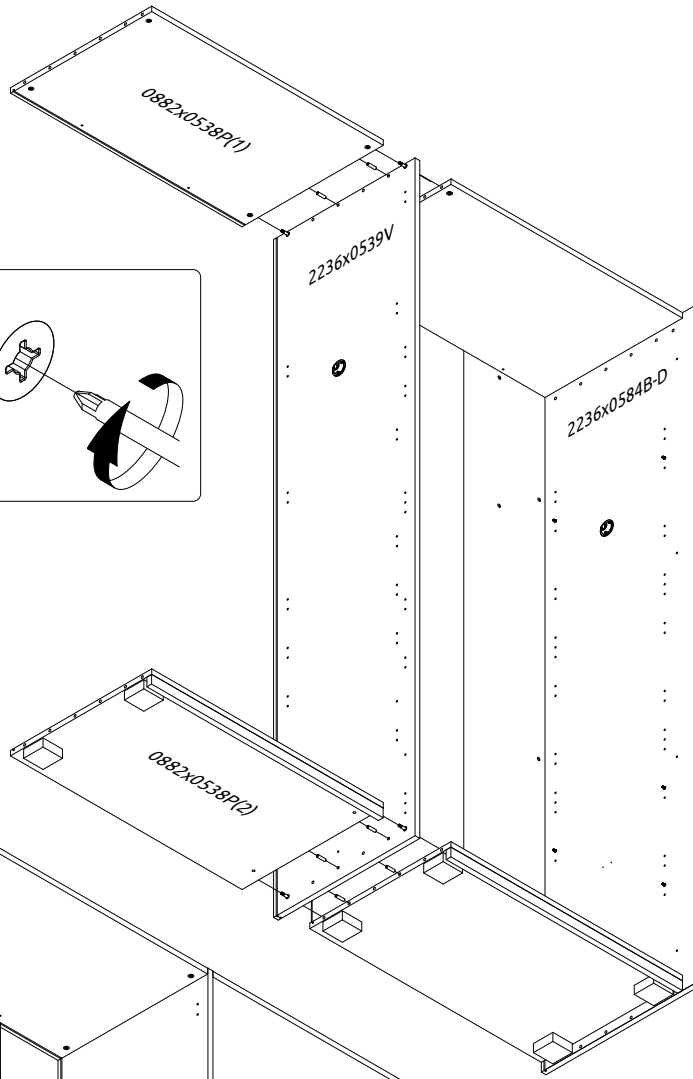
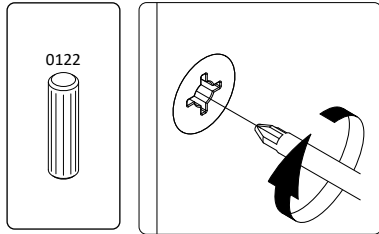
11



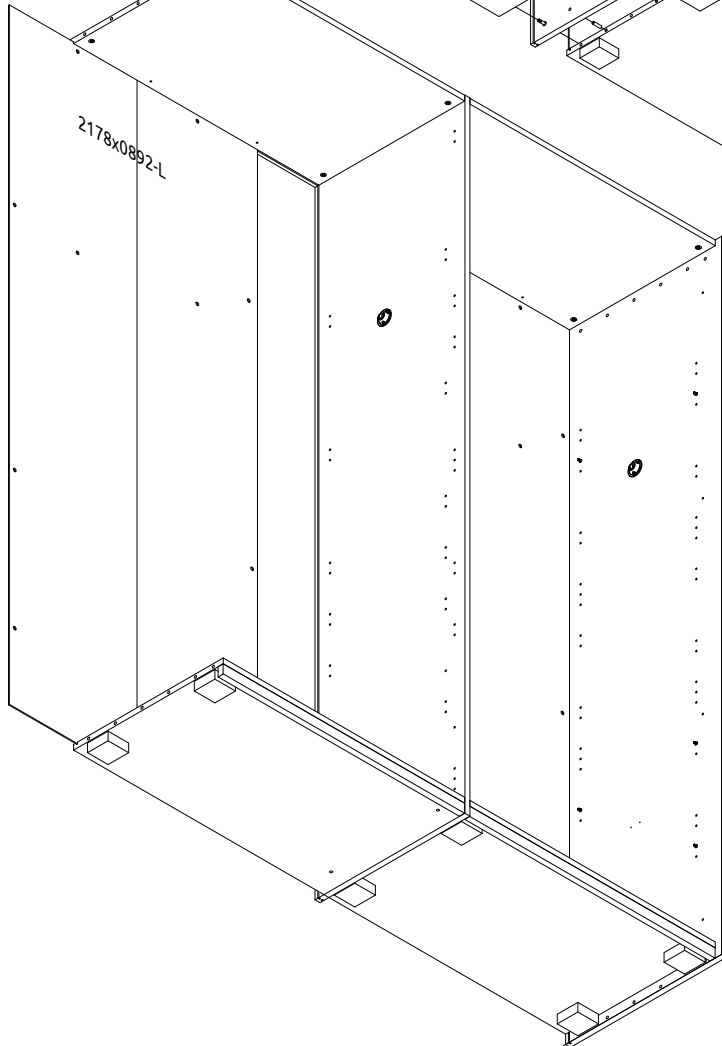
12



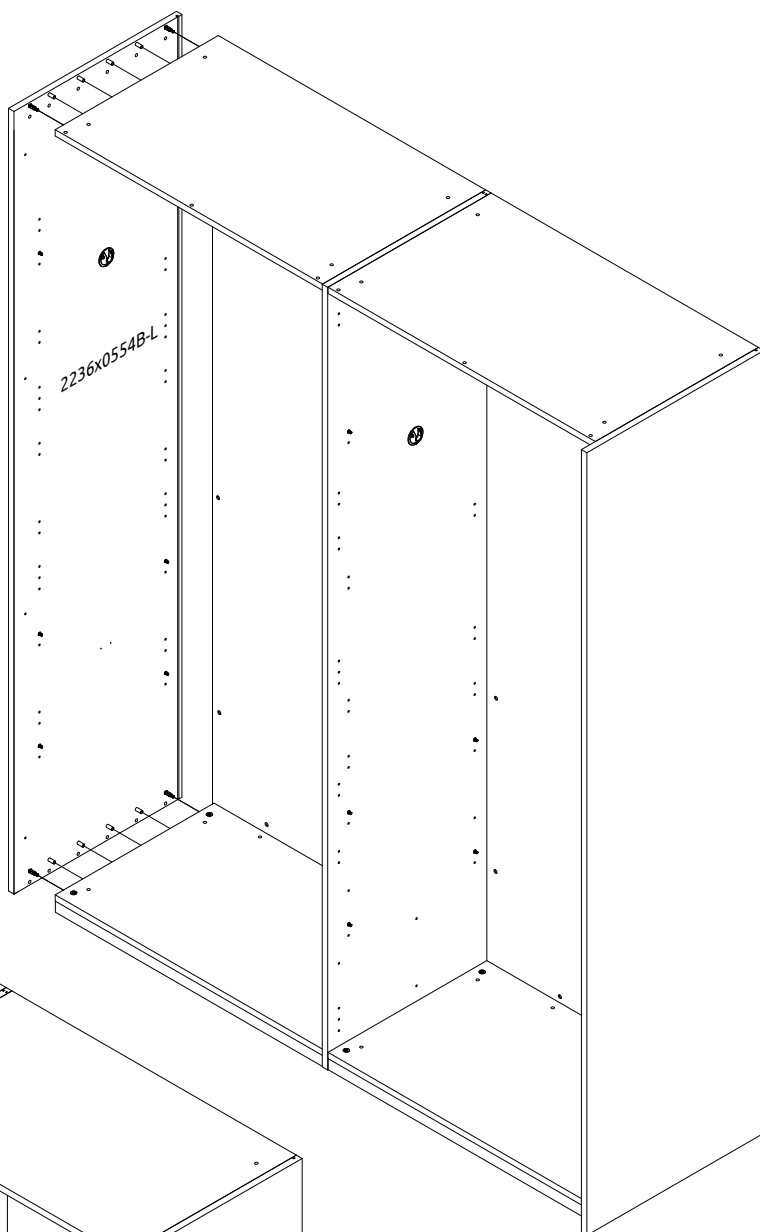
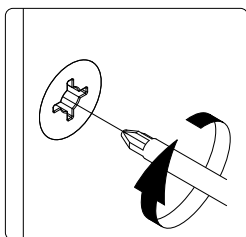
**13**



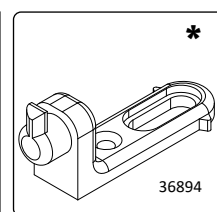
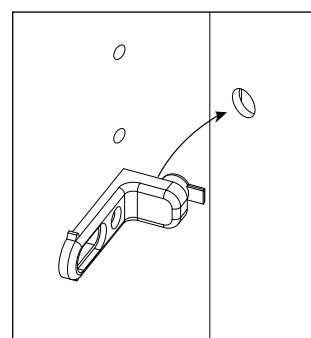
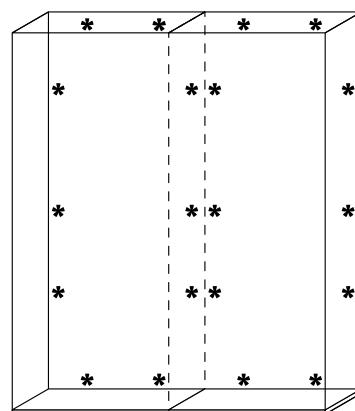
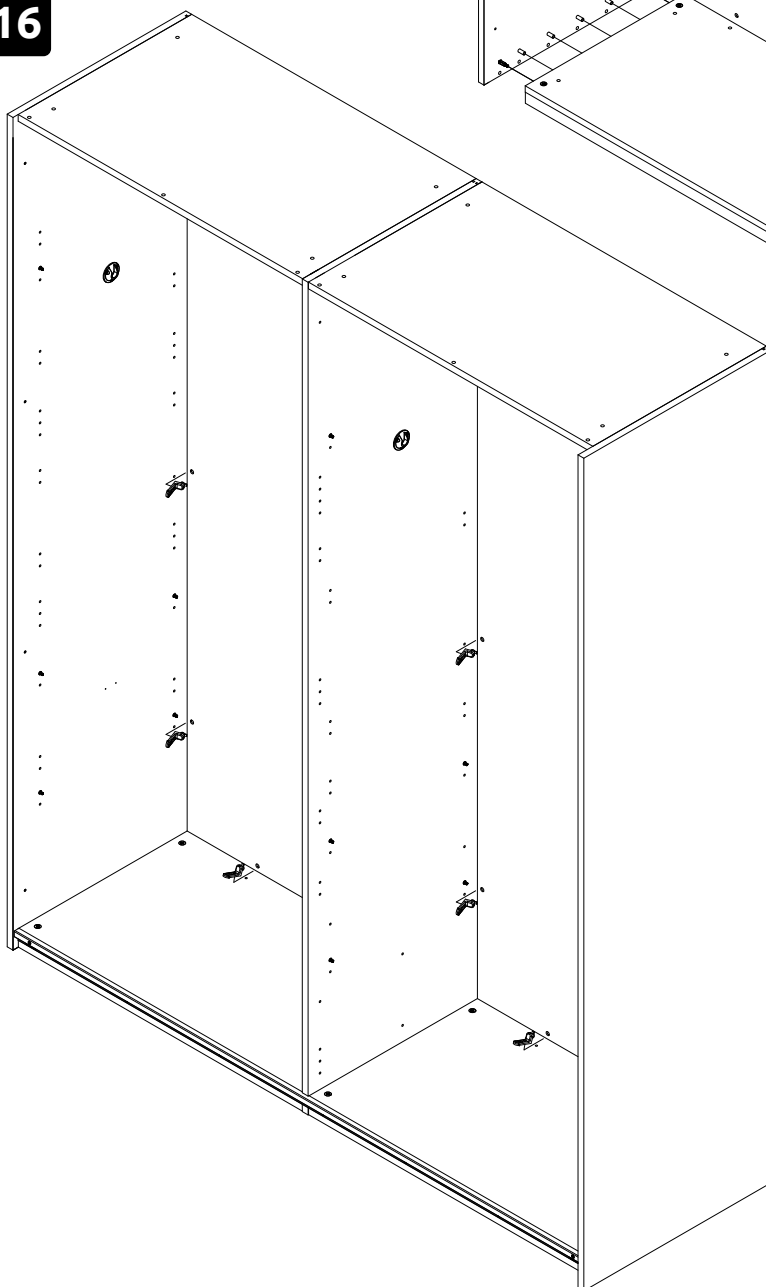
**14**



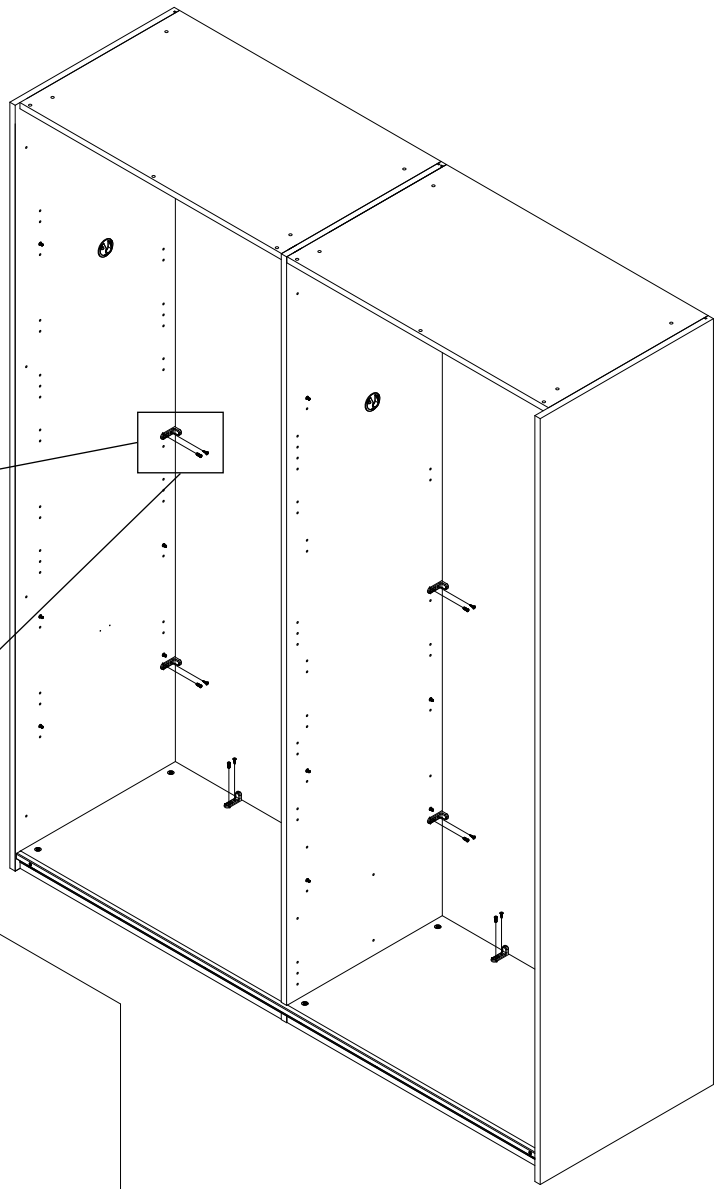
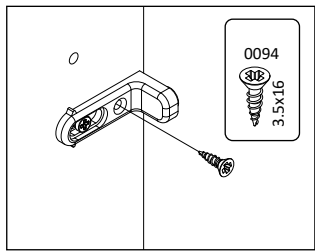
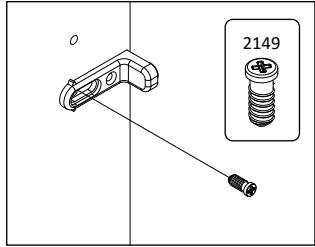
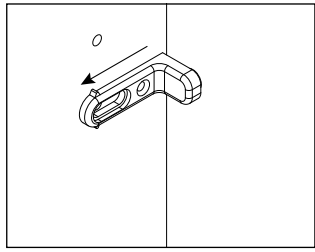
15



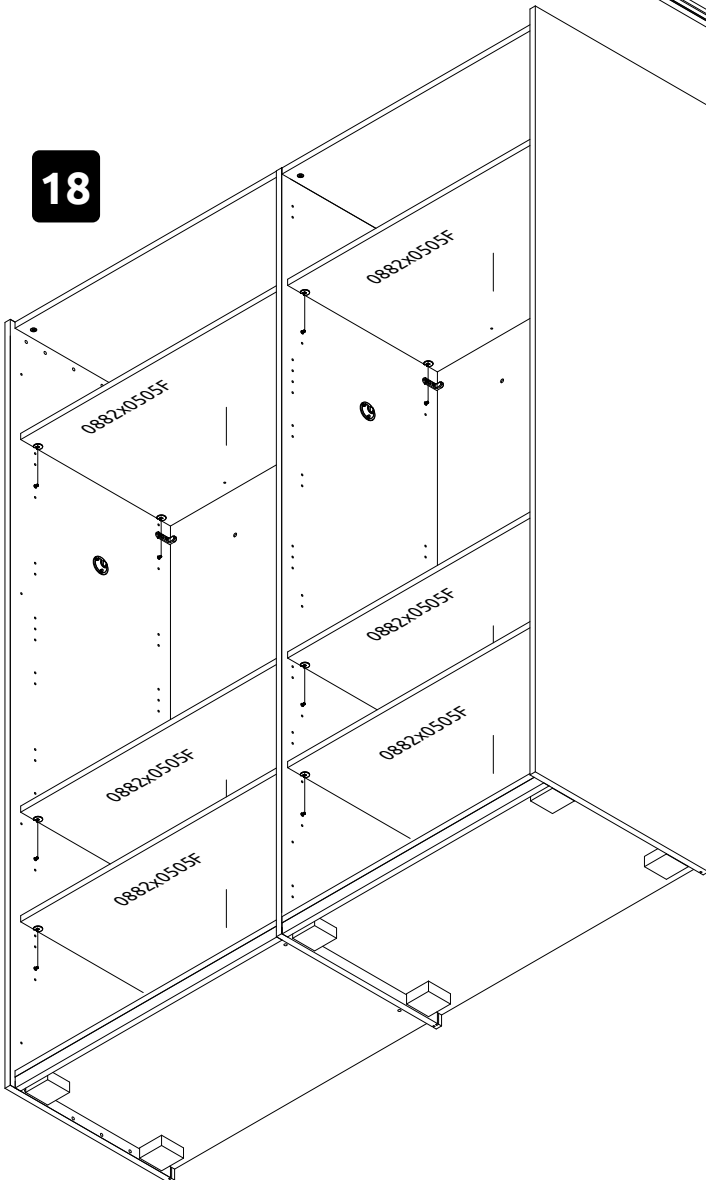
16



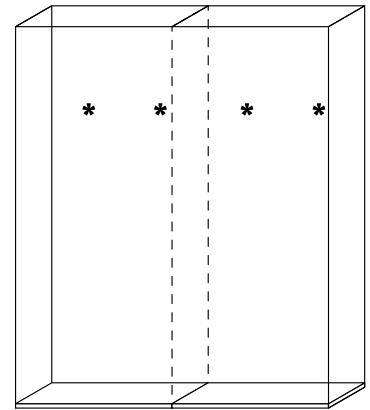
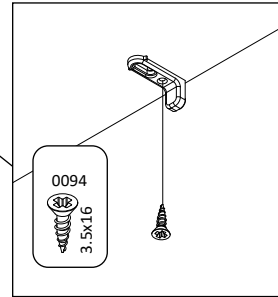
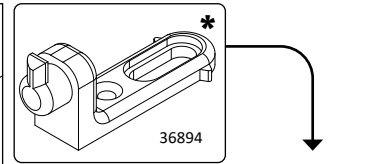
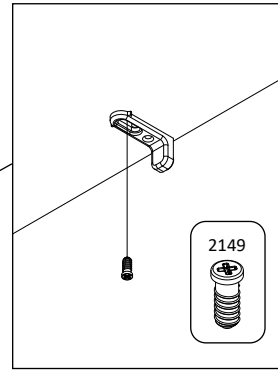
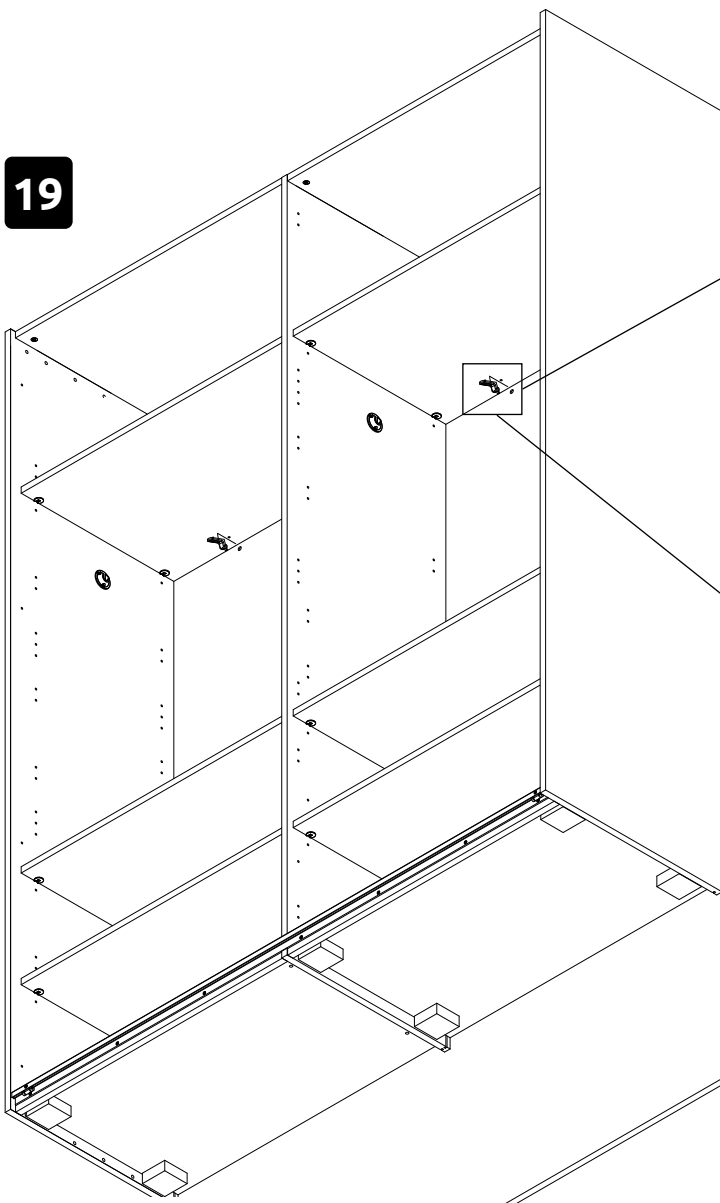
17



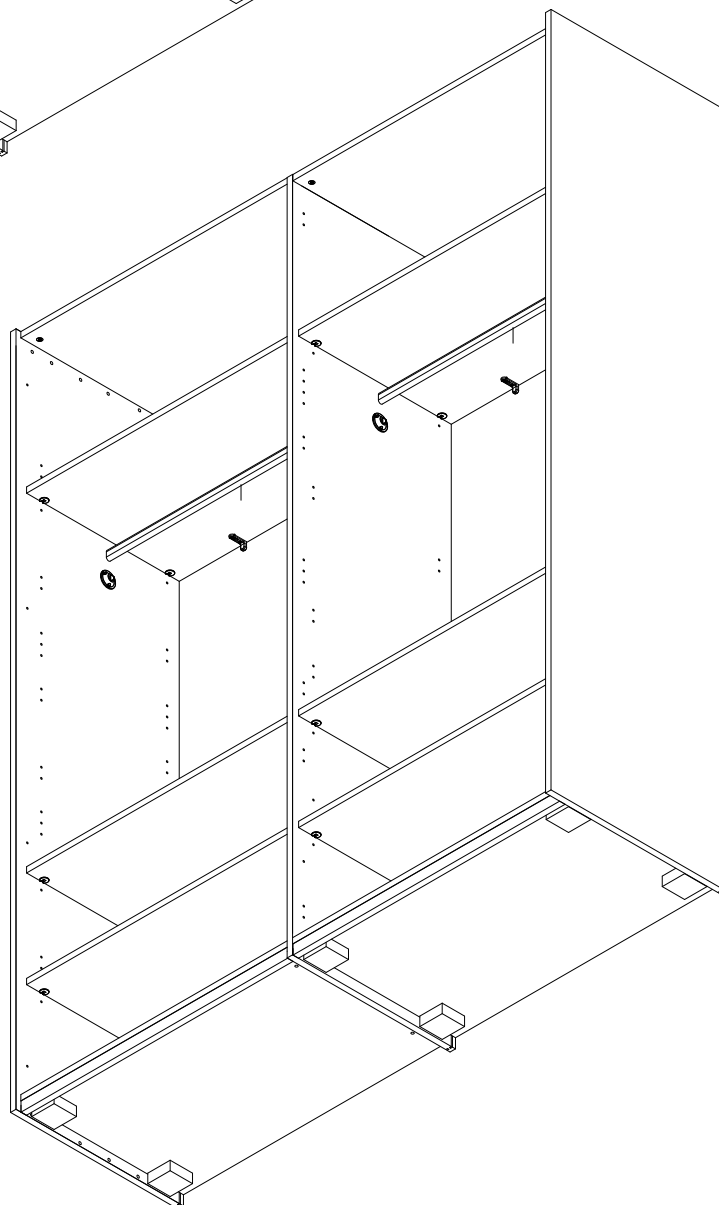
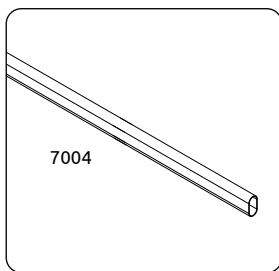
18



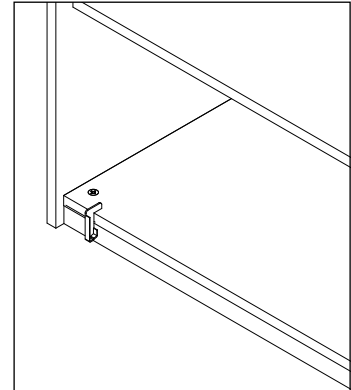
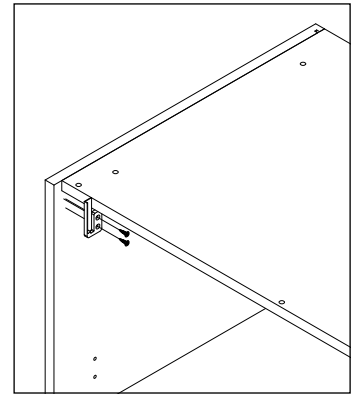
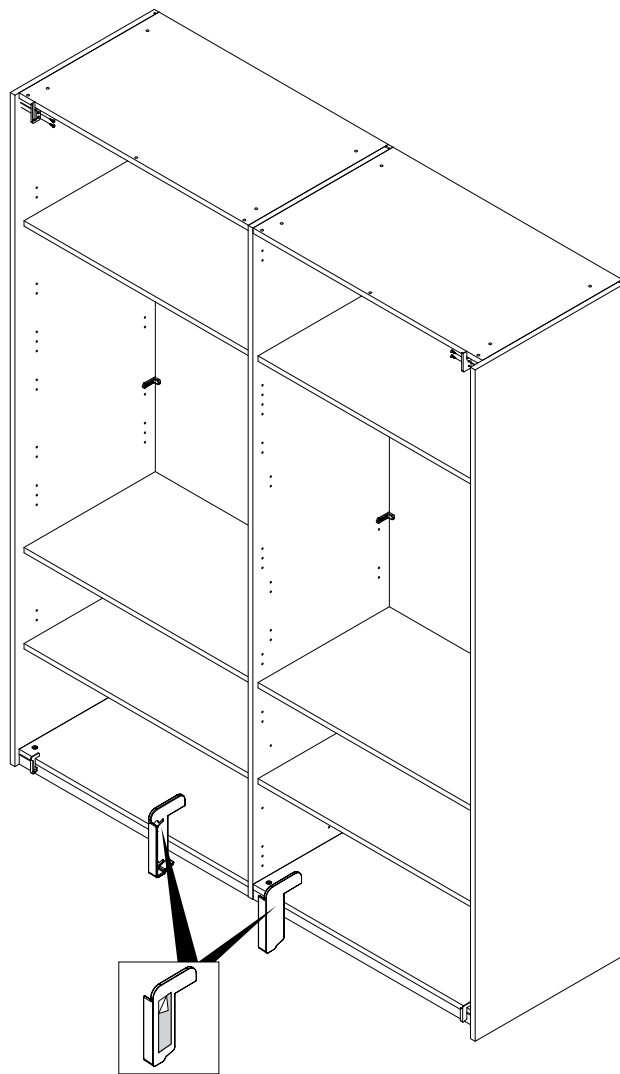
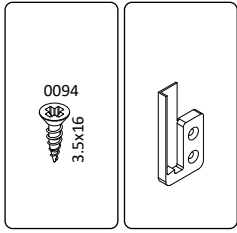
19



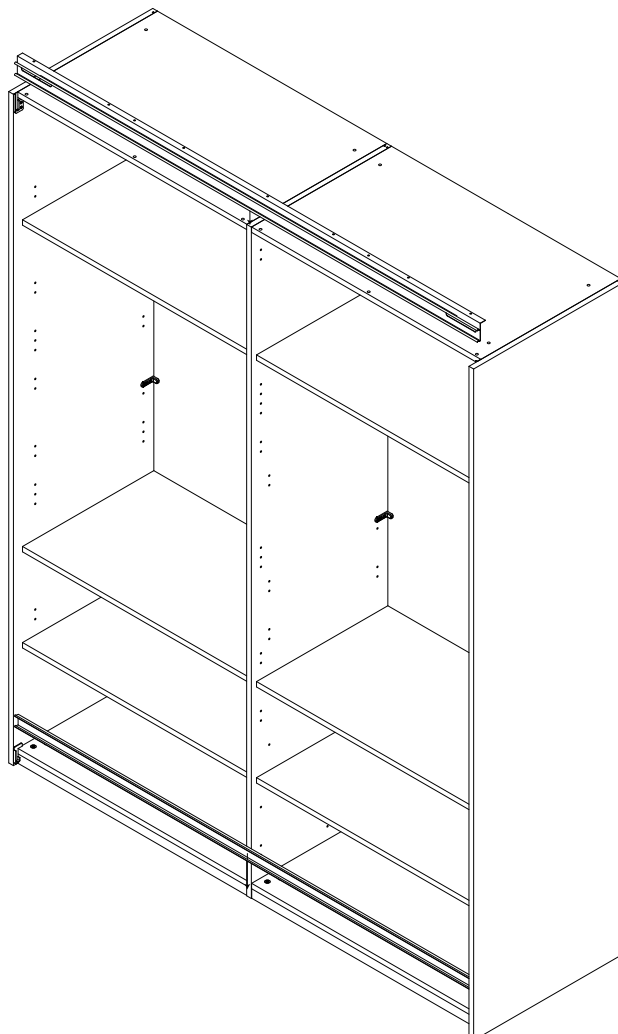
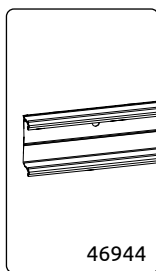
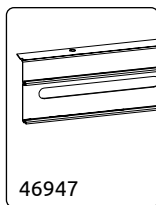
20



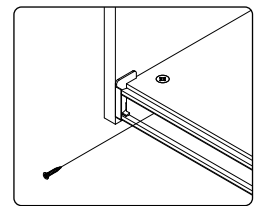
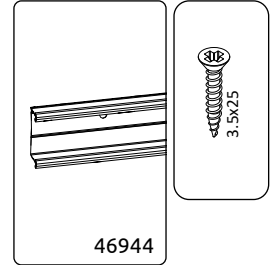
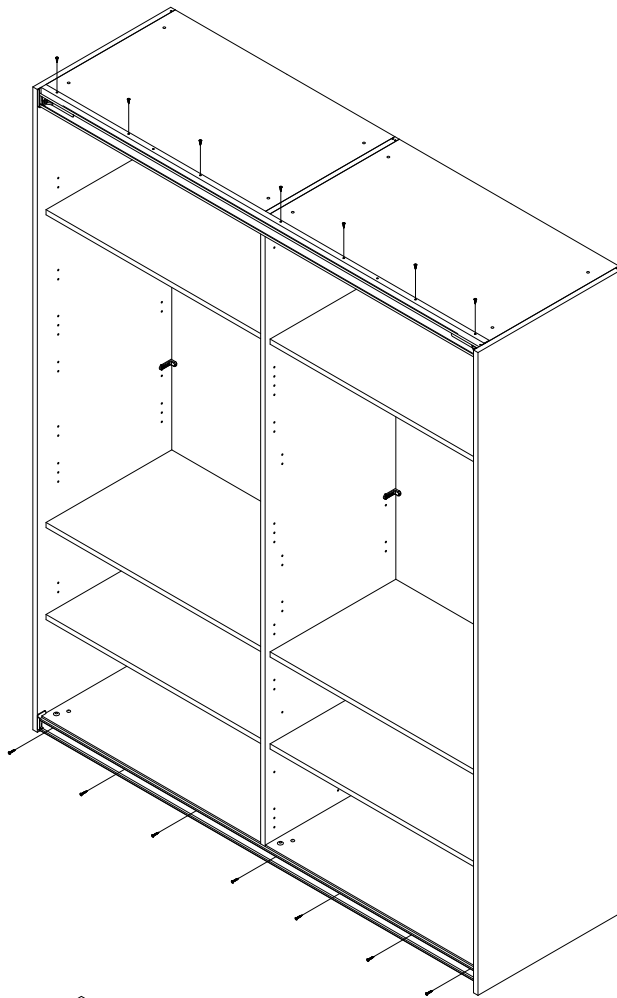
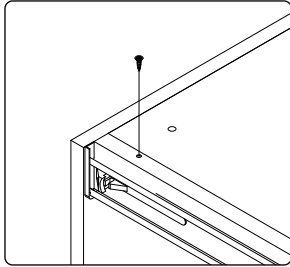
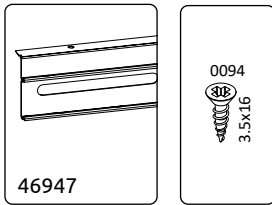
21



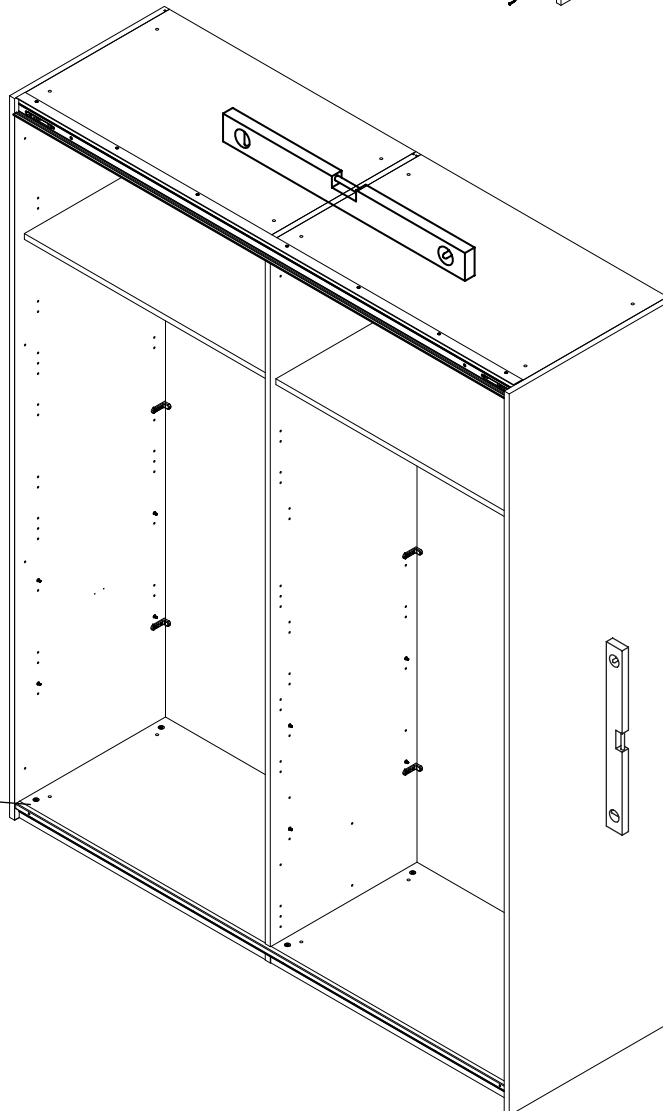
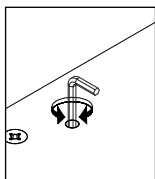
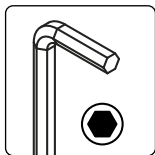
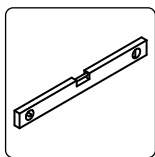
22



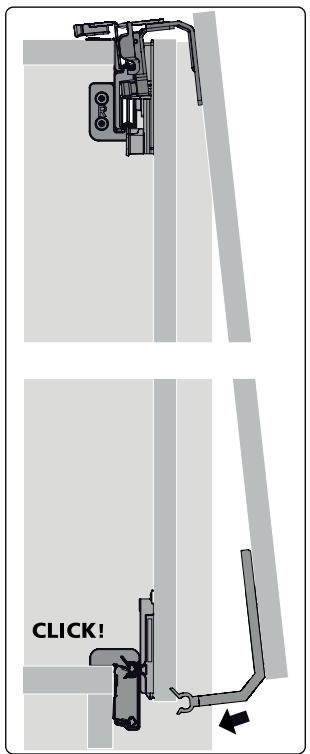
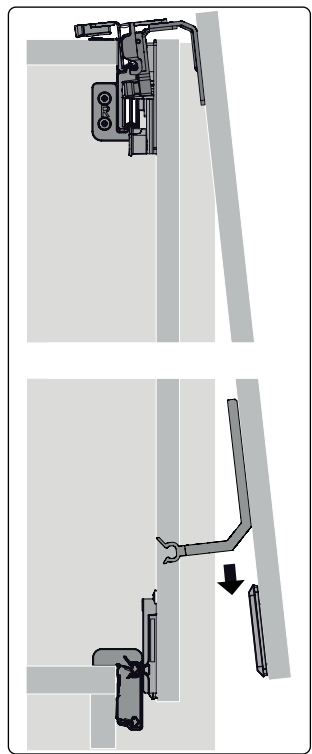
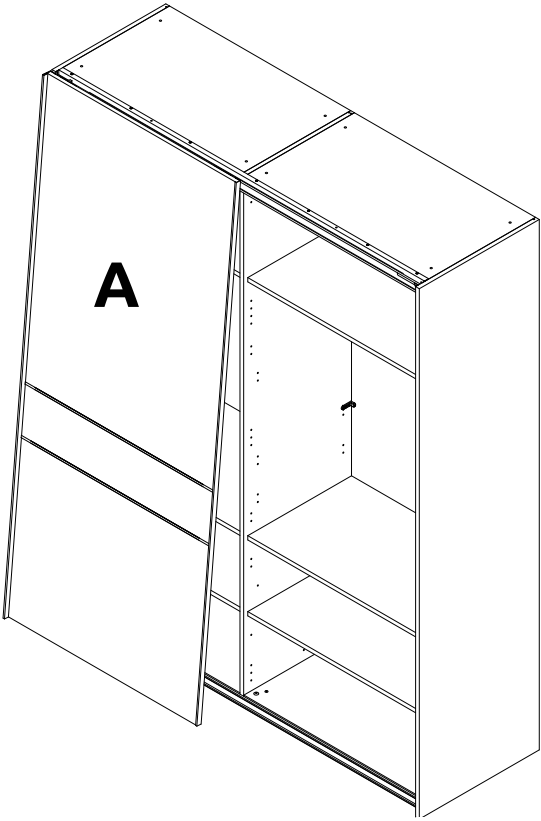
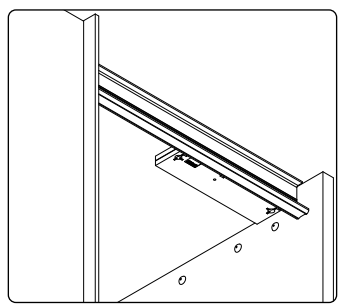
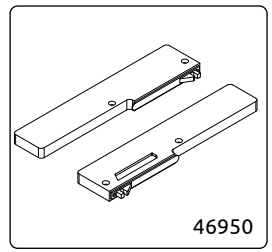
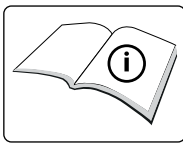
23



24



25



26

