



EASY
SLIDE



Quality features

rauch ORANGE



Interior colour
Texline
colour



**EASY
SLIDE**

Metal guide
rails



Drawers
on silent
ball-bearing
runners



Optional
dampers for
hinged and
sliding doors



For extras, see
rauch ORANGE
Accessories
1.0/1.1.

- Timeless look
- Attractive front designs
- Durable product quality
- Excellent furniture fittings
- comprehensive accessories

Quality and material



10 years rauch manufacturer's warranty.
Warranty terms and conditions on rauchmoebel.com/garantie and in information enclosed with the product.



WOODMAX chipboard
This healthy green-wood chipboard was designed specifically for use in living areas. Our Woodmax chipboard is made only from pollutant-free small-diameter logs and windfall timber from sustainably managed forestry operations in regional woods.



Colour
Furniture with colour finish has an evenly attractive, hard-wearing surface.



Load-bearing capacity
The load limits for all furniture and extras can be found in the load table at: <https://qrco.de/rauch-belastungstabelle>

Our natural raw material
Rauch has won various awards for the material used in its boards. Strict tests by impartial institutes consistently confirm that our materials and processes are not harmful to health.

Award-winning and certified





**EASY
SLIDE**

A540L Carcase Sonoma oak colour / Front D – High polish white, Handles Chrome-coloured, long, Chrome-coloured handle strips



A910L Carcase Alpine white / Front A – Alpine white, Chrome-coloured handles, long



A520D Carcase Sonoma oak colour / Front B – Sonoma oak colour, Carcase-coloured handle strips

Front **A**
Colour



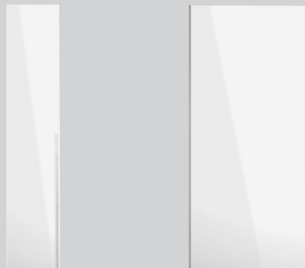
Front **B**
Colour
with vertical trims



Front **C**
Colour
with vertical and horizontal trims



Front **D**
High polish



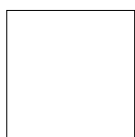
Front **E**
Front Glass overlay
with vertical trims



Front **F**
Front Glass overlay
with vertical and horizontal trims



Front-/Carcase colours (Colour)



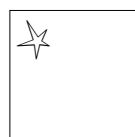
Alpine white



Sonoma oak colour



Metallic grey



High polish white



White glass



Basalt glass

Handles (Hinged doors, matching pieces)



Carcase-coloured,
short "D"



Chrome-coloured,
short "K"



Chrome-coloured, long "L"
(Wardrobe doors with bar handle,
Set of drawers and matching
pieces with handle)

■ Matching extras for sliding door wardrobes can be found under rauch ORANGE ACCESSORIES 1.1 and for hinged door wardrobes under rauch ORANGE ACCESSORIES 1.0.

Instructions for ordering:

- 1 Select the colour code for the desired colour variation from the upper table (e.g. **A510**...).

+

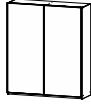
- 2 Find the identification letters for the design/colour of the handle and enter them in the space in the colour code (e.g. **A510D**).

+

- 3 Select the article no. based on the desired width. You will find the correct article no. and price for the appropriate front in the line below.

1		A COLOUR		B COLOUR FINISH WITH VERTICAL TRIMS	
Col. code	Front ▶				
Carcase colour ▼		Carcase coloured	Alpine white	Carcase coloured	Alpine white
Colour Sonoma oak		A510 ...	A511 ...	A520 ...	A521 ...
Metallic grey		A810 ...	A811 ...	A820 ...	A821 ...
Alpine white		A910 ...	---	A920 ...	---

2		HANDLE STRIPS AND PROFILES ▶		CARCASE COLOURS = PG1 Add D to the colour code.	

3		Width in cm	181	181
SLIDING DOOR WARD-ROBES	Depth 62 cm			
	Illustration			
Standard interior fittings in every unit: 1 clothes rail, Height 210 cm = 1 Shelf/unit, Height 229 cm = 2 Shelf/unit		Carcase division (cm)	90/90	90/90
		Number of doors	2-door	2-door/1 Mirrored doors
HEIGHT 210 CM		▼ Art. no.	▼ Price	...
A	Colour	44E1		
B	Colour*	44E1		
C	Colour finish with horizontal trims*	44E1		



Very easy to plan using:

RAUCH
MÖBELPLANER 

External dimensions

Sliding door wardrobes

Widths _____ **181 cm** _____ **226 cm** _____ **271 cm**
 without passepartout _____ 1808 mm _____ 2256 mm _____ 2708 mm
 with passepartout _____ 1885 mm _____ 2333 mm _____ 2781 mm

Heights _____ **210 cm** _____ **229 cm**
 without passepartout _____ 2099 mm _____ 2291 mm
 with passepartout _____ 2140 mm _____ 2330 mm

Depth _____ **62 cm**
 without passepartout _____ 618 mm
 with passepartout _____ 634 mm

Hinged door wardrobes

Widths _____ **47 cm** _____ **91 cm** _____ **136 cm** _____ **181 cm** _____ **226 cm** _____ **271 cm**
 without cornice _____ 464 mm _____ 912 mm _____ 1360 mm _____ 1808 mm _____ 2256 mm _____ 2704mm
 with cornice _____ 464 mm _____ 912 mm _____ 1360 mm _____ 1808 mm _____ 2256 mm _____ 2704 mm
 with cornice + passepartout _____ 508 mm _____ 965 mm _____ 1404 mm _____ 1852 mm _____ 2300 mm _____ 2748 mm

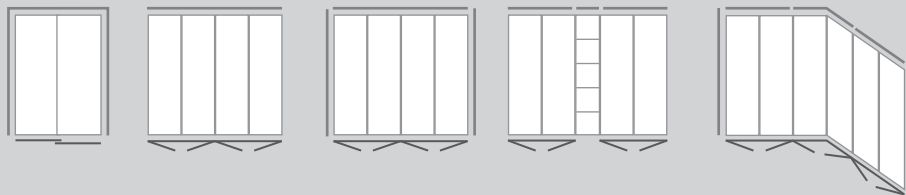
Heights _____ **210 cm** _____ **229 cm**
 without cornice _____ 2096 mm _____ 2288 mm
 with cornice _____ 2118 mm _____ 2310 mm

Depth _____ **54 cm**
 without cornice _____ 538 mm
 with cornice _____ 562 mm

Passepartouts and cornices

Passepartouts and cornices are also available to order as extras for the wardrobes. Full passepartouts are available for the sliding door wardrobes. With the hinged door wardrobes, you can choose to mount only cornices or, with additional side uprights, also passepartouts. Shelves can be installed with a depth offset, but the cornice can still remain flush with the front. Please note that corner robes with cornice are only possible between hinged door wardrobes (not possible with sliding door wardrobes!). Passepartouts are generally not possible between wardrobe units and on corner robes.

Examples:



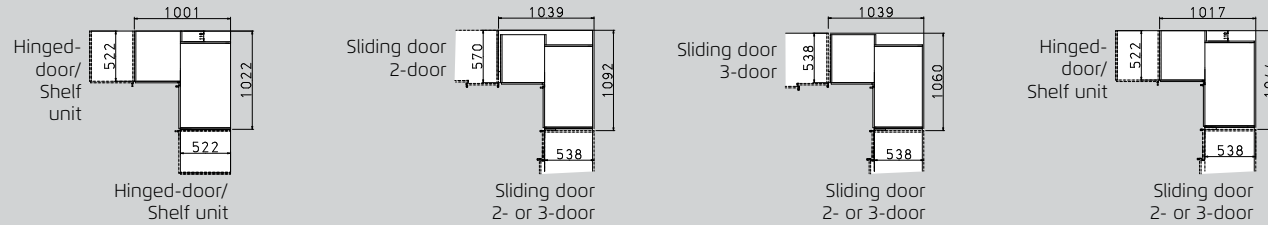
Accessories

Matching extras for sliding door wardrobes can be found under rauch ORANGE ACCESSORIES 1.1 and for hinged door wardrobes under rauch ORANGE ACCESSORIES 1.0.

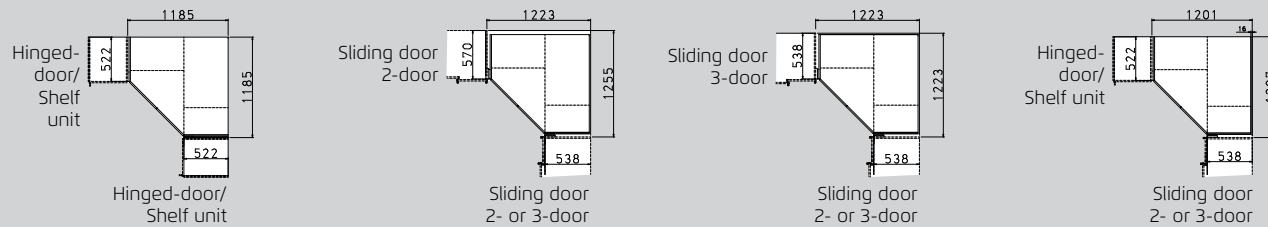
Combination examples and space required for corner robes in combination with hinged- and sliding door wardrobes

Essensa's sliding- and hinged door wardrobes can also be easily combined across corners thanks to the two corner robe variants available (90° corner robe and 45° corner robe). Please note that the space required and the overall dimensions of the wardrobes will vary depending on the selected wardrobe combination and arrangement (see example sketches below).

Corner robe 90°



Corner robe 45°

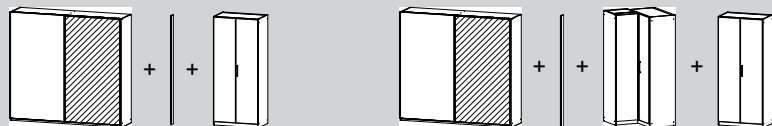


Alle Maßangaben in mm.

Mounting options for sliding door wardrobes with hinged-door and corner robes

The Essensa wardrobe range offers you the possibility of arranging all robe units in whatever combination you wish. However, if a hinged-door robe or corner robe is attached to a sliding-door robe, a compensating profile must always be mounted between them to ensure that the doors can be opened without any problems.

Examples:





Sliding door wardrobes

*NOTE:
No additional vertical trims next to the handle strips on sliding doors.

1 Col. code	Front ▶	A COLOUR		B COLOUR*		C COLOUR FINISH WITH HORIZONTAL TRIMS*		D HIGH POLISH	E GLASS*		F GLASS WITH HORIZONTAL TRIMS*	
Carcase colour ▼		Carcase coloured	Alpine white	Carcase coloured	Alpine white	Carcase coloured	Alpine white	White	White	Basalt	White	Basalt
Sonoma oak colour		A510	A511	A520	A521	A530	A531	A540	A550	A552	A560	A562
Metallic grey		A810	A811	A820	A821	A830	A831	A840	A850	A852	A860	A862
Alpine white		A910	---	A920	---	A930	---	A940	A950	A952	A960	A962

2 HANDLE STRIPS AND PROFILES ▶	CARCASE COLOURS = Add D to the colour code.	CHROME-COLOURED = ADD L TO THE COLOUR CODE.
--------------------------------	---	---

3 SLIDING DOOR WARDROBES	Width in cm	181	181	226	226	271	271	NOTE: If a hinged door or a corner robe is added to a sliding-door robe, a compensating profile must always be mounted between them.	
Standard interior fittings in every unit: 1 clothes rail, Height 210 cm = 1 shelf/unit, Height 229 cm = 2 shelves/units EASY SLIDE	Depth 62 cm								
	Illustration								
	Carcase division (cm)	90/90	90/90	112,5/112,5	112,5/112,5	90/90/90	90/90/90	compensating profile	
Number of doors	2-door	2-door, 1 mirror door	2-door	2-door, 1 mirror door	3-door	3-door, 1 mirror door	↔ 2 cm ↗ 12 cm		
HEIGHT 210 CM		▼ Art. no. ▼ Price ...		HEIGHT 210 CM					
A Colour		44E1	54B7	44E2	54B9	44E3	57S3	9R10	
B Colour*		44E1	54B7	44E2	54B9	44E3	57S3	9R10	
C Colour finish with horizontal trims*		44E1	54B7	44E2	54B9	44E3	57S3	9R10	
D High polish		44L1	55H0	44L2	55H5	44L3	55H6	9R10	
E Glass*		51K3	5SG1	51K4	5SG2	51K5	5SG3	9R10	
F Glass with horizontal trims*		51K3	5SG1	51K4	5SG2	51K5	5SG3	9R10	
HEIGHT 229 CM		▼ Art. no. ▼ Price ...		HEIGHT 229 CM					
A Colour		0Y6A	0Y6D	0Y6B	0Y6F	0Y6C	0Y6G	9R11	
B Colour*		0Y6A	0Y6D	0Y6B	0Y6F	0Y6C	0Y6G	9R11	
C Colour finish with horizontal trims*		0Y6A	0Y6D	0Y6B	0Y6F	0Y6C	0Y6G	9R11	
D High polish		0Y7A	0Y7D	0Y7B	0Y7F	0Y7C	0Y7G	9R11	
E Glass*		0K3A	02B5	0K4A	02B6	0K5A	02B7	9R11	
F Glass with horizontal trims*		0K3A	02B5	0K4A	02B6	0K5A	02B7	9R11	

Matching extras for sliding door wardrobes can be found under rauch ORANGE ACCESSORIES 1.1.



Sliding door wardrobes

Col. code	The passepartouts can be ordered with the same colour code as for the wardrobe.
Carcase colour ▼	
Sonoma oak colour	
Metallic grey	
Alpine white	

PASSEPARTOUTS FOR SLIDING DOOR WARDROBES.	Width in cm	181	226	271			
	Wardrobe depth incl. Passepartout = 64 cm						
	Illustration						
	Name	passepartout	passepartout	passepartout			
External dimensions	↔189 cm ↑214 cm ↗23 cm	↔233 cm ↑214 cm ↗23 cm	↔278 cm ↑214 cm ↗23 cm				
HEIGHT 210 CM		▼ Art. no.	▼ Price	...	HEIGHT 210 CM		
Carcase coloured	9P2P		9P3P		9P4P		
HEIGHT 229 CM		▼ Art. no.	▼ Price	...	HEIGHT 229 CM		
Carcase coloured	9T2E		9T3E		9T4E		



Hinged door wardrobes

1	COL. CODE	FRONT ▶	A COLOUR		B COLOUR FINISH WITH VERTICAL TRIMS		C COLOUR FINISH WITH VERTICAL AND HORIZONTAL TRIMS		D HIGH POLISH	E GLASS WITH VERTICAL TRIMS		F GLASS WITH VERTICAL AND HORIZONTAL TRIMS	
	CARCASE COLOUR ▼		Carcase coloured	Alpine white	Carcase coloured	Alpine white	Carcase coloured	Alpine white	White	White	Basalt	White	Basalt
	Sonoma oak colour		A510 ...	A511 ...	A520 ...	A521 ...	A530 ...	A531 ...	A540 ...	A550 ...	A552 ...	A560 ...	A562 ...
	Metallic grey		A810 ...	A811 ...	A820 ...	A821 ...	A830 ...	A831 ...	A840 ...	A850 ...	A852 ...	A860 ...	A862 ...
	Alpine white		A910 ...	---	A920 ...	---	A930 ...	---	A940 ...	A950 ...	A952 ...	A960 ...	A962 ...

2	HANDLES AND PROFILES ▶	CARCASE-COLOURED, SHORT = PG 1 Add D to the colour code.	CHROME-COLOURED, SHORT = PG 2 Add K to the colour code	CHROME-COLOURED, LONG = PG 3 Add L to the colour code.
---	------------------------	--	--	--

3	HINGED DOOR WARDROBES ↑ 210 cm Standard interior fittings in every unit: 1 shelf and 1 clothes rail.	Width in cm	47	47	91	91	136	136	136	181	
		Depth 54 cm									
		Illustration									
		Carcase division (cm)	45	45	90	90	90/45	90/45	90/45	90/45	90/90
Number of doors/drawers	1-door	1 mirrored door/2 drawers	2-door	2 mirrored doors/2 drawers	3-door	3-door/1 mirror door	3-door/1 mirror door	3-door/1 mirror door/2 DW	4-door		
HEIGHT 210 CM	▼ Price group	HEIGHT 210 CM									
A Colour	PG 1										
	PG 2	4701	57K3	4F19	57K4	4772	5M04	5705	4203		
	PG 3										
B Colour finish with vertical trims	PG 1										
	PG 2	4701	57K3	4F19	57K4	4772	5M04	5705	4203		
	PG 3										
C Colour finish with vertical and horizontal trims	PG 1										
	PG 2	4701	57K3	4F19	57K4	4772	5M04	5705	4203		
	PG 3										
D High polish	PG 1										
	PG 2	4866	57L3	4867	57L4	4868	53S7	57L5	4869		
	PG 3										
E Glass with vertical trims	PG 1										
	PG 2	53G2	57K5	53G3	57K6	53G4	52G3	57K7	53G5		
	PG 3										
F Glass with vertical and horizontal trims	PG 1										
	PG 2	53G2	57K5	53G3	57K6	53G4	52G3	57K7	53G5		
	PG 3										

More widths on the next page.

Matching extras for hinged door wardrobes can be found under rauch ORANGE ACCESSORIES 1.0.



Hinged door wardrobes

1	COL. CODE	FRONT ▶	A COLOUR		B COLOUR FINISH WITH VERTICAL TRIMS		C COLOUR FINISH WITH VERTICAL AND HORIZONTAL TRIMS		D HIGH POLISH	E GLASS WITH VERTICAL TRIMS		F GLASS WITH VERTICAL AND HORIZONTAL TRIMS	
	CARCASE COLOUR ▼		Carcase coloured	Alpine white	Carcase coloured	Alpine white	Carcase coloured	Alpine white	White	White	Basalt	White	Basalt
	Sonoma oak colour		A510 ...	A511 ...	A520 ...	A521 ...	A530 ...	A531 ...	A540 ...	A550 ...	A552 ...	A560 ...	A562 ...
	Metallic grey		A810 ...	A811 ...	A820 ...	A821 ...	A830 ...	A831 ...	A840 ...	A850 ...	A852 ...	A860 ...	A862 ...
	Alpine white		A910 ...	---	A920 ...	---	A930 ...	---	A940 ...	A950 ...	A952 ...	A960 ...	A962 ...

2	HANDLES AND PROFILES ▶	CARCASE-COLOURED, SHORT = PG 1 Add D to the colour code.	CHROME-COLOURED, SHORT = PG 2 Add K to the colour code	CHROME-COLOURED, LONG = PG 3 Add L to the colour code.
---	------------------------	--	--	--

3	HINGED DOOR WARDROBES ↑ 210 cm Standard interior fittings in every unit: 1 shelf and 1 clothes rail.	Width in cm	181	181	226	226	226	271	271	271					
		Depth 54 cm													
		Illustration													
		Carcase division (cm)	90/90	45/90/45	90/45/90	90/45/90	90/45/90	90/90/90	90/90/90	90/90/90					
Number of doors/drawers	4-door/2 mirror door	4-door/2 mirror door/2 DW	5-door	5-door/1 mirror door	5-door/1 mirror door/2 DW	6-door	6-door/2 mirror door	6-door/2 mirror door/2 DW							
HEIGHT 210 CM	▼ Price group	▼ Art. no.	▼ Price	HEIGHT 210 CM											
A Colour	PG 1	5M06		5379	4204		5223		57K9		4F30		5F30		5384
	PG 2														
	PG 3														
B Colour finish with vertical trims	PG 1	5M06		5379	4204		5223		57K9		4F30		5F30		5384
	PG 2														
	PG 3														
C Colour finish with vertical and horizontal trims	PG 1	5M06		5379	4204		5223		57K9		4F30		5F30		5384
	PG 2														
	PG 3														
D High polish	PG 1	53S8		5C54	4271		53S9		5C57		4274		53SA		5C56
	PG 2														
	PG 3														
E Glass with vertical trims	PG 1	52G4		57K8	53G8		52G5		57K1		53G9		52G6		57K2
	PG 2														
	PG 3														
F Glass with vertical and horizontal trims	PG 1	52G4		57K8	53G8		52G5		57K1		53G9		52G6		57K2
	PG 2														
	PG 3														

Matching extras for hinged door wardrobes can be found under rauch ORANGE ACCESSORIES 1.0.



Hinged door wardrobes

1	COL. CODE	FRONT ▶	A COLOUR		B COLOUR FINISH WITH VERTICAL TRIMS		C COLOUR FINISH WITH VERTICAL AND HORIZONTAL TRIMS		D HIGH POLISH	E GLASS WITH VERTICAL TRIMS		F GLASS WITH VERTICAL AND HORIZONTAL TRIMS	
	CARCASE COLOUR ▼		Carcase coloured	Alpine white	Carcase coloured	Alpine white	Carcase coloured	Alpine white	White	White	Basalt	White	Basalt
	Sonoma oak colour		A510 ...	A511 ...	A520 ...	A521 ...	A530 ...	A531 ...	A540 ...	A550 ...	A552 ...	A560 ...	A562 ...
	Metallic grey		A810 ...	A811 ...	A820 ...	A821 ...	A830 ...	A831 ...	A840 ...	A850 ...	A852 ...	A860 ...	A862 ...
	Alpine white		A910 ...	---	A920 ...	---	A930 ...	---	A940 ...	A950 ...	A952 ...	A960 ...	A962 ...

2	HANDLES AND PROFILES ▶	CARCASE-COLOURED, SHORT = PG 1 Add D to the colour code.	CHROME-COLOURED, SHORT = PG 2 Add K to the colour code	CHROME-COLOURED, LONG = PG 3 Add L to the colour code.
---	------------------------	--	--	--

3	HINGED DOOR WARDROBES ↓ 229 cm Standard interior fittings in every unit: 2 shelves and 1 clothes rail. Combi unit = 1 shelf	Width in cm	47	47	91	91	136	136	136	181						
		Depth 54 cm														
		Illustration														
		Carcase division (cm)	45	45	90	90	90/45	90/45	90/45	90/45	90/90					
Number of doors/drawers	1-door	1 mirrored door/2 drawers	2-door	2 mirrored doors/2 drawers	3-door	3-door/1 mirror door	3-door/1 mirror door	3-door/1 mirror door/2 DW	4-door							
HEIGHT 229 CM	▼ Price group	HEIGHT 229 CM														
A Colour	PG 1															
	PG 2	17D2		15K3		17D3		15K4		17D4		18S3		15K5		17D5
	PG 3															
B Colour finish with vertical trims	PG 1															
	PG 2	17D2		15K3		17D3		15K4		17D4		18S3		15K5		17D5
	PG 3															
C Colour finish with vertical and horizontal trims	PG 1															
	PG 2	17D2		15K3		17D3		15K4		17D4		18S3		15K5		17D5
	PG 3															
D High polish	PG 1															
	PG 2	17L2		15L3		17L3		15L4		17L4		18H3		15L5		17L5
	PG 3															
E Glass with vertical trims	PG 1															
	PG 2	17G2		18K5		17G3		18K6		17G4		15G3		18K7		17G5
	PG 3															
F Glass with vertical and horizontal trims	PG 1															
	PG 2	17G2		18K5		17G3		18K6		17G4		15G3		18K7		17G5
	PG 3															

More widths on the next page.

Matching extras for hinged door wardrobes can be found under rauch ORANGE ACCESSORIES 1.0.



Hinged door wardrobes

1	COL. CODE	FRONT ▶	A COLOUR		B COLOUR FINISH WITH VERTICAL TRIMS		C COLOUR FINISH WITH VERTICAL AND HORIZONTAL TRIMS		D HIGH POLISH	E GLASS WITH VERTICAL TRIMS		F GLASS WITH VERTICAL AND HORIZONTAL TRIMS	
	CARCASE COLOUR ▼		Carcase coloured	Alpine white	Carcase coloured	Alpine white	Carcase coloured	Alpine white	White	White	Basalt	White	Basalt
	Sonoma oak colour		A510 ...	A511 ...	A520 ...	A521 ...	A530 ...	A531 ...	A540 ...	A550 ...	A552 ...	A560 ...	A562 ...
	Metallic grey		A810 ...	A811 ...	A820 ...	A821 ...	A830 ...	A831 ...	A840 ...	A850 ...	A852 ...	A860 ...	A862 ...
	Alpine white		A910 ...	---	A920 ...	---	A930 ...	---	A940 ...	A950 ...	A952 ...	A960 ...	A962 ...

2	HANDLES AND PROFILES ▶	CARCASE-COLOURED, SHORT = PG 1 Add D to the colour code.	CHROME-COLOURED, SHORT = PG 2 Add K to the colour code	CHROME-COLOURED, LONG = PG 3 Add L to the colour code.
---	------------------------	--	--	--







3	HINGED DOOR WARDROBES	Width in cm	181	181	226	226	271	271	271	271	271							
	↓ 229 cm	Depth 54 cm																
	Standard interior fittings in every unit: 2 shelves and 1 clothes rail. Combi unit = 1 shelf	Illustration																
		Carcase division (cm)	90/90	45/90/45	90/45/90	90/45/90	90/45/90	90/90/90	90/90/90	90/90/90	90/90/90							
		Number of doors/drawers	4-door/2 mirror door	4-door/2 mirror door/2 DW	5-door	5-door/1 mirror door	5-door/1 mirror door/2 DW	6-door	6-door/2 mirror door	6-door/2 mirror door/2 DW	6-door/2 mirror door/2 DW							
	HEIGHT 229 CM	▼ Price group	HEIGHT 229 CM									▼ Art. no.	▼ Price	...				
	A Colour	PG 1																
		PG 2 397/77PG 3	18S4		15K6		17D8		18S0		15K7		17D9		18S5		15K8	
	B Colour finish with vertical trims	PG 1																
		PG 2	18S4		15K6		17D8		18S0		15K7		17D9		18S5		15K8	
		PG 3																
	C Colour finish with vertical and horizontal trims	PG 1																
		PG 2	18S4		15K6		17D8		18S0		15K7		17D9		18S5		15K8	
		PG 3																
	D High polish	PG 1																
		PG 2	18H4		15L6		17L8		18H8		15L8		17L9		18H9		15L9	
		PG 3																
	E Glass with vertical trims	PG 1																
		PG 2	15G4		18K8		17G8		15G5		18K1		17G9		15G6		18K2	
		PG 3																
	F Glass with vertical and horizontal trims	PG 1																
		PG 2	15G4		18K8		17G8		15G5		18K1		17G9		15G6		18K2	
		PG 3																

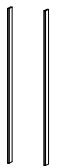
Matching extras for hinged door wardrobes can be found under rauch ORANGE ACCESSORIES 1.0.



Hinged door wardrobes

COL. CODE	The cornices and passepartout sides can be ordered with the same colour code as for the wardrobe.
Carcase colour ▼	
Sonoma oak colour	
Metallic grey	
Alpine white	

CORNICES FOR HINGED DOOR ROBES	Width in cm	47	91	136	181	226	271					
	Depth incl. cornice = 58 cm											
	Illustration											
	Name	cornice	cornice	cornice	cornice	cornice	cornice					
Dimensions incl. wardrobe	↔47 cm ↓212 cm/231 cm	↔91 cm ↓212 cm/231 cm	↔136 cm ↓212 cm/231 cm	↔181 cm ↓212 cm/231 cm	↔226 cm ↓212 cm/231 cm	↔271 cm ↓212 cm/231 cm						
		▼ Art. no.	▼ Price	...								
Carcase coloured	8K04		8K05		8K06		8K07		8K22		8K27	

PASSEPARTOUT SIDES FOR HINGED DOOR WARDROBES	Width in cm	for all widths					
	Wardrobe depth incl. passepartout = 58 cm	 <div style="border: 1px dashed gray; padding: 5px; margin-top: 10px;"> <p>NOTE:</p> <ul style="list-style-type: none"> • Passepartout sides only possible in conjunction with cornices. • Cannot be mounted directly on corner robes (doors cannot be opened). • Total width of wardrobe and passepartout: wardrobe width + 4 cm </div>					
	Illustration						
	Name	passepartout sides					
Dimensions	↔2 cm ↓212 cm/231 cm ↗12 cm						
HEIGHT 210 CM		▼ Art. no.	▼ Price	...			
Carcase coloured	9P86						
HEIGHT 229 CM		▼ Art. no.	▼ Price	...			
Carcase coloured	9P51						

Shelf unit, corner robes

1	COL. CODE	FRONT ▶	A COLOUR		B COLOUR FINISH WITH VERTICAL TRIMS		C COLOUR FINISH WITH VERTICAL AND HORIZONTAL TRIMS		D HIGH POLISH	E GLASS WITH VERTICAL TRIMS		F GLASS WITH VERTICAL AND HORIZONTAL TRIMS	
	CARCASE COLOUR ▼		Carcase coloured	Alpine white	Carcase coloured	Alpine white	Carcase coloured	Alpine white	White	White	Basalt	White	Basalt
	Sonoma oak colour		A510_	A511_	A520_	A521_	A530_	A531_	A540_	A550_	A552_	A560_	A562_
	Metallic grey		A810_	A811_	A820_	A821_	A830_	A831_	A840_	A850_	A852_	A860_	A862_
	Alpine white		A910_	---	A920_	---	A930_	---	A940_	A950_	A952_	A960_	A962_

2	HANDLES AND PROFILES ▶	CARCASE-COLOURED, SHORT = PG 1 Add D to the colour code.	CHROME-COLOURED, SHORT = PG 2 Add K to the colour code	CHROME-COLOURED, LONG = PG 3 Add L to the colour code.
---	------------------------	--	--	--

3	SHELF UNIT, CORNER WARDROBE	Width in cm	33	100		100	119		119		
			Depth 40 cm (shelf units only!)	100/102		100/102		119/119		119/119	
			Illustration	Please note information on p. 5!		Please note information on p. 5!		Please note information on p. 5!		Please note information on p. 5!	
	↓ 210 cm										
	Name	shelf unit	hinged door corner robe		hinged door corner robe		hinged door corner robe		hinged door corner robe		
	Name	with 5 shelves	2-door		2-door, 2 mirror doors		2-door, with comp. profiles		2-door, 2 mirror doors, with comp. profiles		
	HEIGHT 210 CM	▼ Price group	▼ Art. no.	▼ Price	HEIGHT 210 CM						
	A Colour	PG 1	9226	4062	5062	0X5A	0X5C				
		PG 2									
		PG 3									
	B Colour finish with vertical trims	PG 1	9226	4062	5062	0X5A	0X5C				
		PG 2									
		PG 3									
	C Colour finish with vertical and horizontal trims	PG 1	9226	4062	5062	0X5A	0X5C				
		PG 2									
		PG 3									
	D High polish	PG 1	9226	40L7	5062	0X7A	0X7C				
		PG 2									
		PG 3									
	E Glass with vertical trims	PG 1	9226	53G7	5062	0X8A	0X8C				
		PG 2									
		PG 3									
	F Glass with vertical and horizontal trims	PG 1	9226	53G7	5062	0X8A	0X8C				
		PG 2									
		PG 3									

Shelf unit, corner robes




1	COL. CODE	FRONT ▶	A COLOUR		B COLOUR FINISH WITH VERTICAL TRIMS		C COLOUR FINISH WITH VERTICAL AND HORIZONTAL TRIMS		D HIGH POLISH	E GLASS WITH VERTICAL TRIMS		F GLASS WITH VERTICAL AND HORIZONTAL TRIMS	
	CARCASE COLOUR ▼		Carcase coloured	Alpine white	Carcase coloured	Alpine white	Carcase coloured	Alpine white	White	White	Basalt	White	Basalt
	Sonoma oak colour		A510_	A511_	A520_	A521_	A530_	A531_	A540_	A550_	A552_	A560_	A562_
	Metallic grey		A810_	A811_	A820_	A821_	A830_	A831_	A840_	A850_	A852_	A860_	A862_
	Alpine white		A910_	---	A920_	---	A930_	---	A940_	A950_	A952_	A960_	A962_

2	HANDLES AND PROFILES ▶	CARCASE-COLOURED, SHORT = PG 1 Add D to the colour code.	CHROME-COLOURED, SHORT = PG 2 Add K to the colour code	CHROME-COLOURED, LONG = PG 3 Add L to the colour code.
---	------------------------	--	--	--

3	SHELF UNIT, CORNER WARDROBE	Width in cm	33		100		100		119		119	
			Depth 40 cm (shelf units only!)		100/102		100/102		119/119		119/119	
			Illustration		Please note information on p. 5!		Please note information on p. 5!		Please note information on p. 5!		Please note information on p. 5!	
↓ 229 cm			shelf unit		hinged door corner robe		hinged door corner robe		hinged door corner robe		hinged door corner robe	
			with 6 shelves		2-door		2-door, 2 mirror doors		2-door, with comp. profiles		2-door, 2 mirror doors, with comp. profiles	
HEIGHT 229 CM		▼ Price group	▼ Art. no.	▼ Price	HEIGHT 229 CM							
A Colour	PG 1	9228			17D7		18S7		0X5B		0X5D	
	PG 2											
	PG 3											
B Colour finish with vertical trims	PG 1	9228			17D7		18S7		0X5B		0X5D	
	PG 2											
	PG 3											
C Colour finish with vertical and horizontal trims	PG 1	9228			17D7		18S7		0X5B		0X5D	
	PG 2											
	PG 3											
D High polish	PG 1	9228			17L7		18S7		0X7B		0X7D	
	PG 2											
	PG 3											
E Glass with vertical trims	PG 1	9228			17G7		18S7		0X8B		0X8D	
	PG 2											
	PG 3											
F Glass with vertical and horizontal trims	PG 1	9228			17G7		18S7		0X8B		0X8D	
	PG 2											
	PG 3											

Shelf unit, corner robes

COL. CODE	The cornices can be ordered with the same colour code as for the wardrobe.
Carcase colour ▼	
Sonoma oak colour	
Metallic grey	
Alpine white	

CORNICES FOR SHELF UNIT, CORNER WARDROBE	Width in cm	33	100	117							
	Depth incl. cornice = 45 cm (shelf units only!)										
	Illustration										
	Name	cornice	cornice	cornice							
Dimensions incl. wardrobe	‡212 cm/231 cm	‡212 cm/231 cm	‡212 cm/231 cm								
	▼ Art. no.	▼ Price	...								
Carcase coloured	8K80		9K11		8K89						

Matching pieces

1 COL. CODE	FRONT ▶	A COLOUR		B COLOUR FINISH WITH VERTICAL TRIMS		C COLOUR FINISH WITH VERTICAL AND HORIZONTAL TRIMS		D HIGH POLISH	E GLASS WITH VERTICAL TRIMS		F GLASS WITH VERTICAL AND HORIZONTAL TRIMS	
		CARCASE COLOUR ▼	Carcase coloured	Alpine white	Carcase coloured	Alpine white	Carcase coloured	Alpine white	White	White	Basalt	White
Sonoma oak colour		A510...	A511...	A520...	A521...	A530...	A531...	A540...	A550...	A552...	A560...	A562...
Metallic grey		A810...	A811...	A820...	A821...	A830...	A831...	A840...	A850...	A852...	A860...	A862...
Alpine white		A910...	---	A920...	---	A930...	---	A940...	A950...	A952...	A960...	A962...

2 HANDLES AND PROFILES ▶	CARCASE-COLOURED, SHORT = PG 1 Add D to the colour code.	CHROME-COLOURED, SHORT = PG 2 Add K to the colour code	CHROME-COLOURED, LONG = PG 3 Add L to the colour code.
-----------------------------	--	--	--

3 MATCHING PIECES										
<p>All drawers with cushioned self-closing mechanism.</p>	Skizze									
	Name	bedside table	bedside table	chest	chest	chest	chest	chest	chest	
	Name	2 drawers	3 drawers	4 drawers	1-door, 1 drawer	4 drawers	5 drawers			
	Dimensions	↔47 cm †43 cm ↗42 cm	↔47 cm †62 cm ↗42 cm	↔47 cm †81 cm ↗42 cm	↔47 cm †81 cm ↗42 cm	↔93 cm †81 cm ↗42 cm	↔93 cm †81 cm ↗42 cm			
		▼ Art. no.	▼ Price	...						
A Colour		636Z		637C		638N		637G	645T	645D
B C Colour finish with horizontal trims*		636Z		637C		638N		637G	645T	645D
D High polish		629A		629C		629F		629G	676B	676C
E F Glass with horizontal trims*		671A		671C		671F		671G	679B	679C

MATCHING PIECES			
<p>All drawers with cushioned self-closing mechanism.</p>	Skizze		
	Name	chest	
	Name	8 drawers	
	Dimensions	↔93 cm †81 cm ↗42 cm	
		▼ Art. no.	▼ Price
A Colour		639A	
B C Colour finish with horizontal trims*		639A	
D High polish		676A	
E F Glass with horizontal trims*		679A	

Handle variants:

Carcase colours "D"

Chrome-coloured "K"

Chrome-coloured "L"
 Matching pieces with short handle.

Handle position on fronts without profiles (A and D):

Carcase colour handle "D"

Chrome-coloured handle "K"

Chrome-coloured handle "L"

Handle position on fronts with profiles (B, C, E, F):

Carcase colour handle "D"

Chrome-coloured handle "K"

Chrome-coloured handle "L"