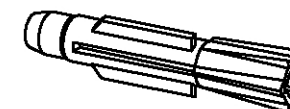
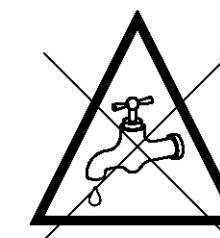
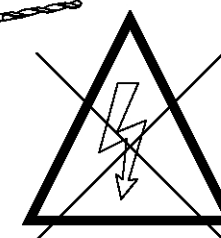
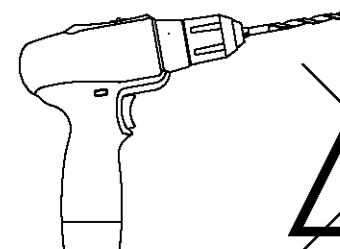
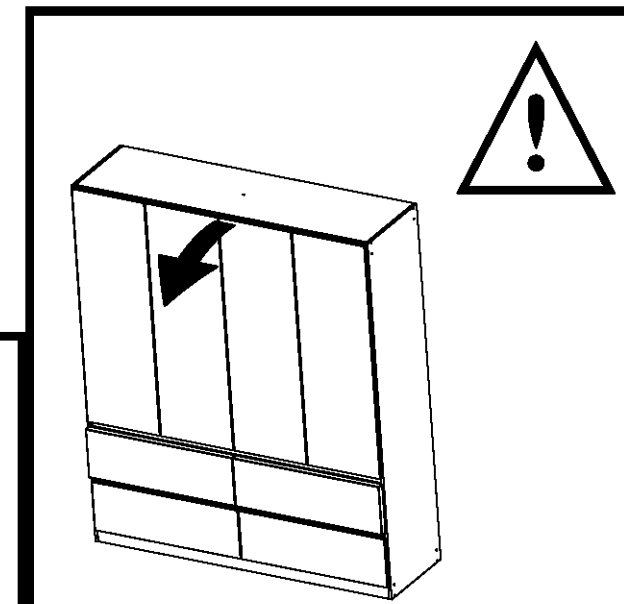
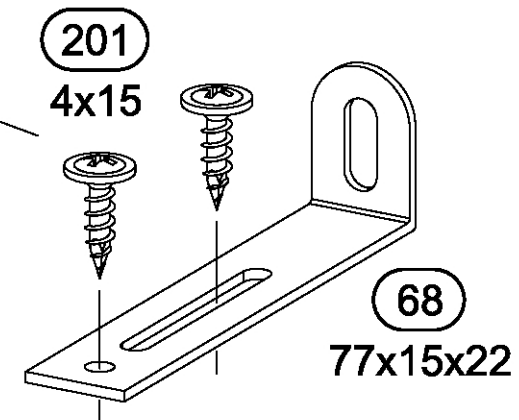
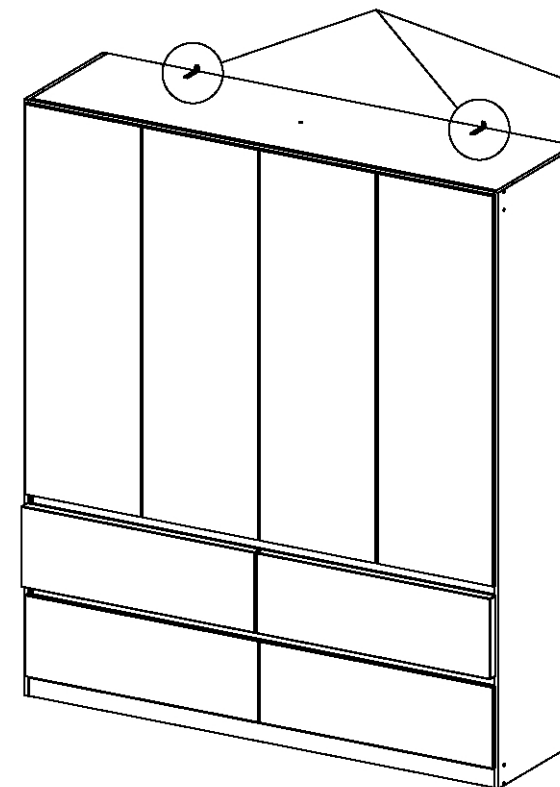
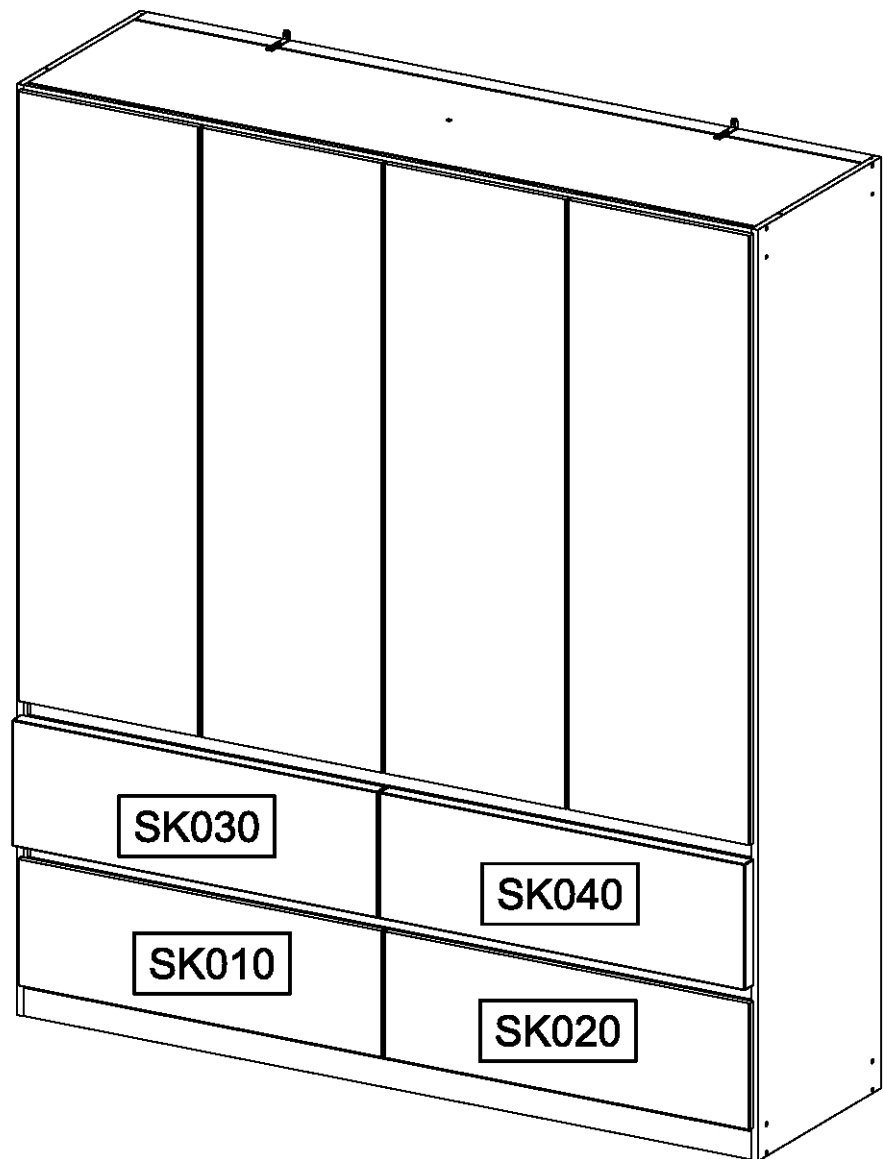
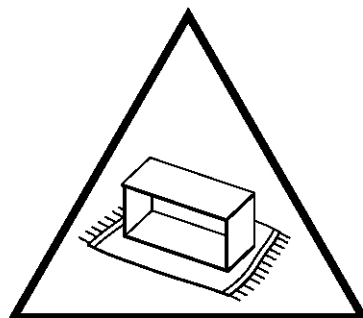
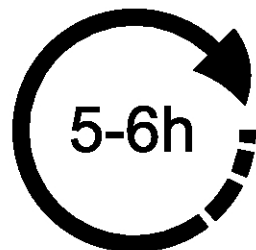
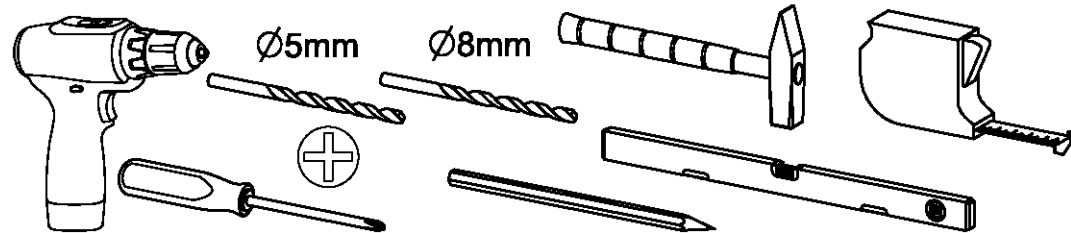
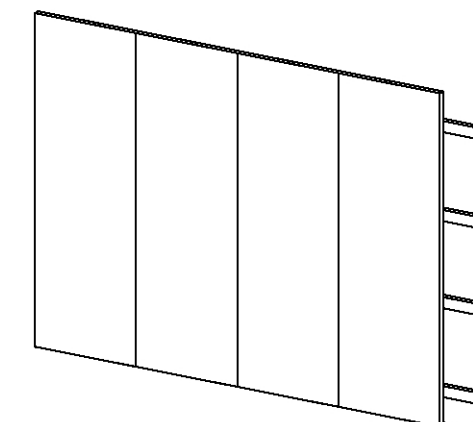
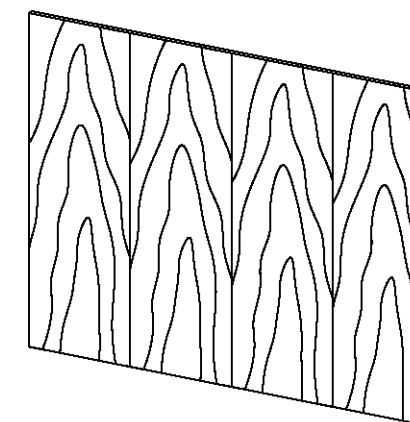
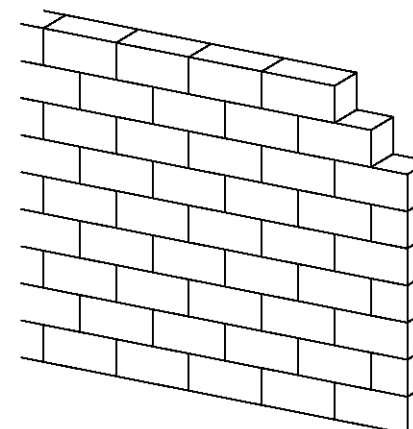
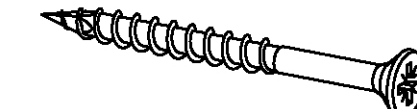
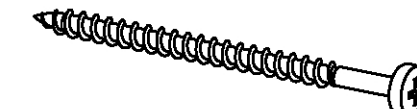


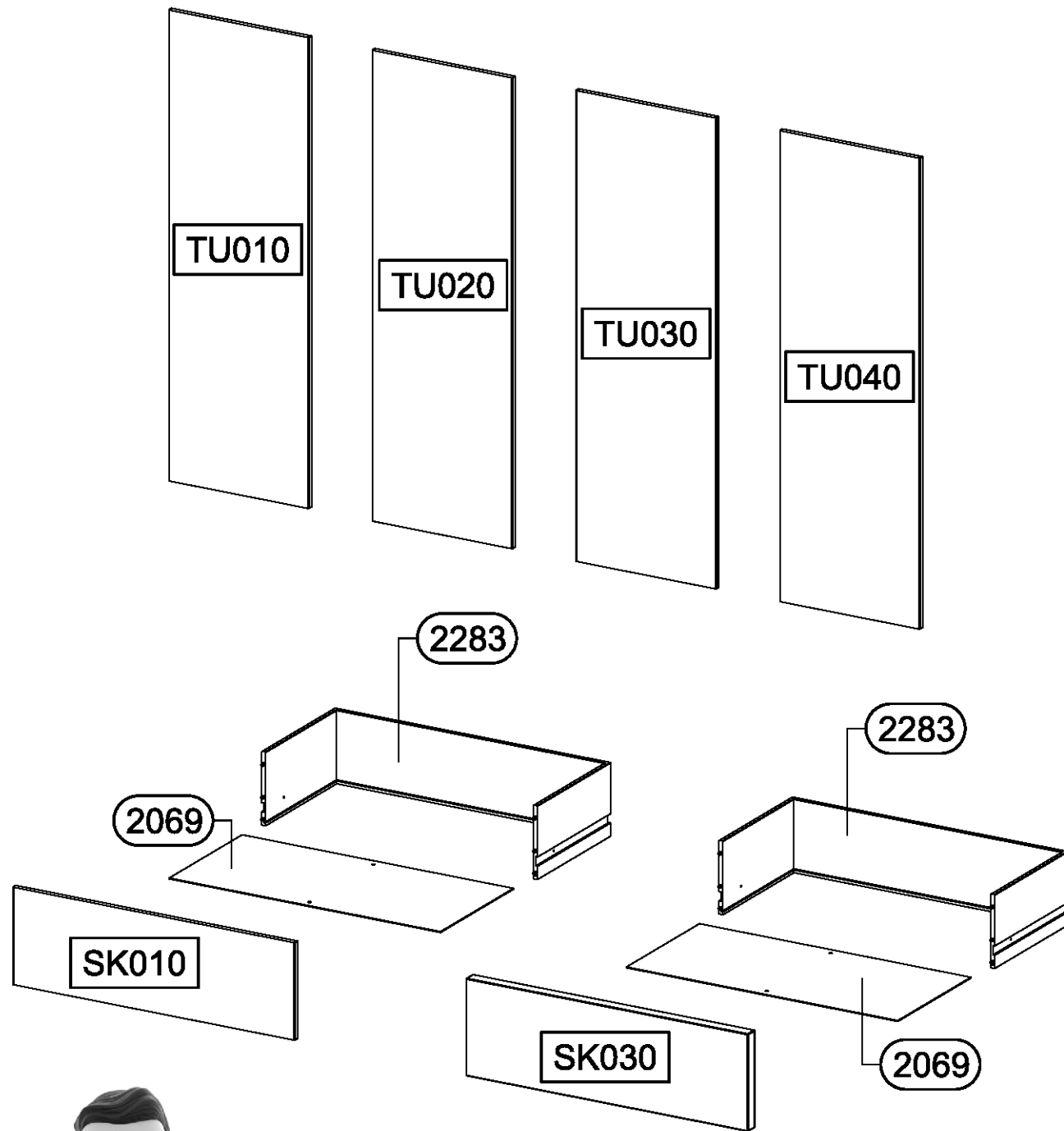
M2563_01

rauch

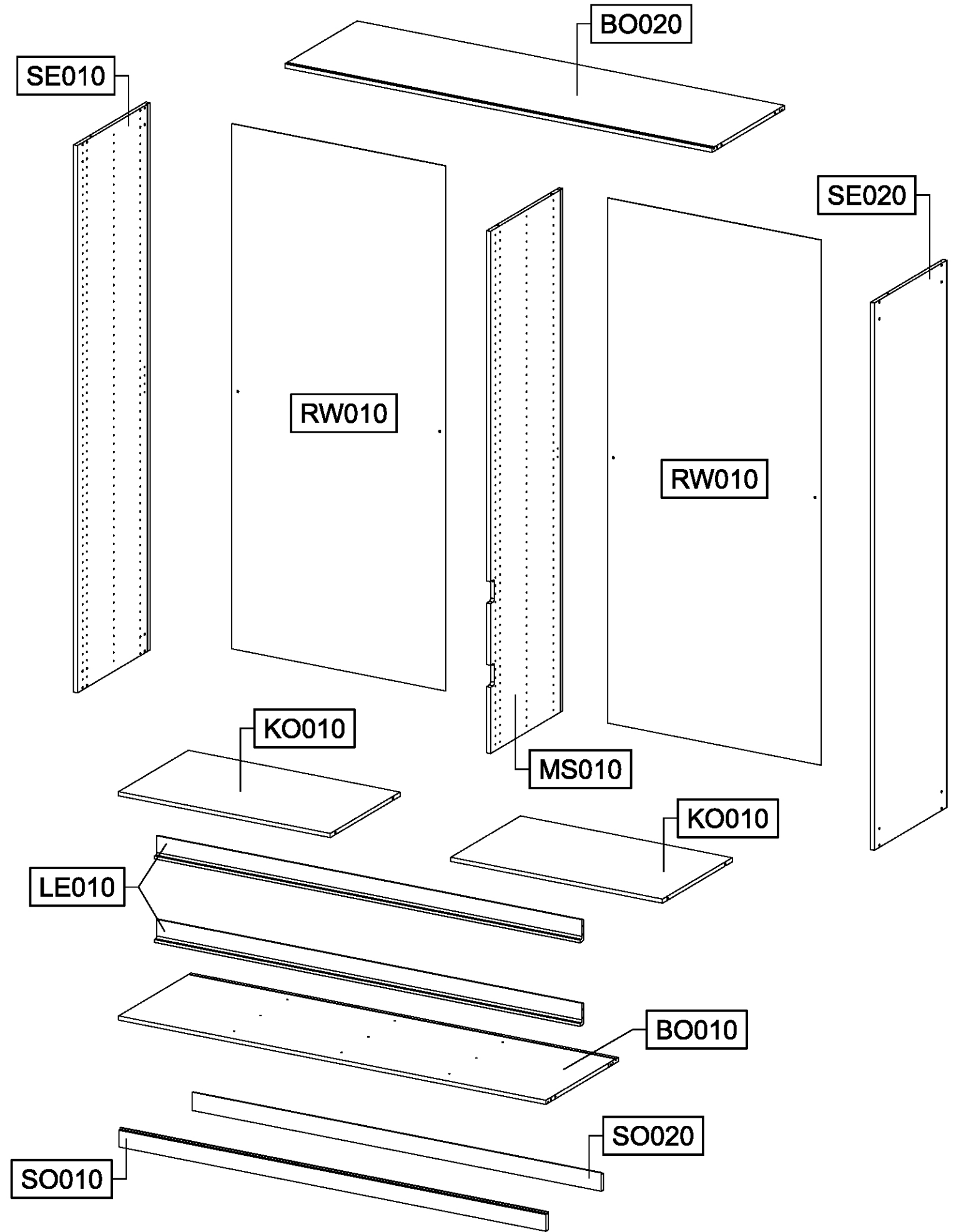


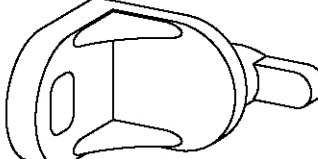
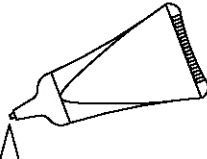
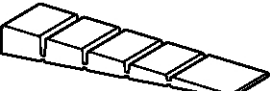


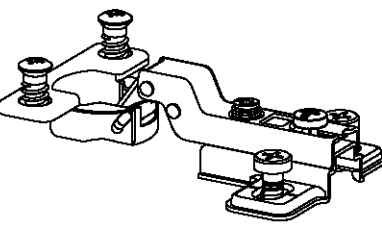
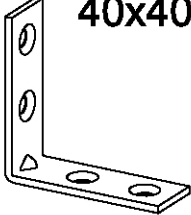




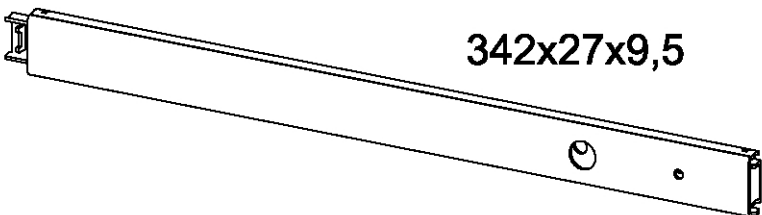

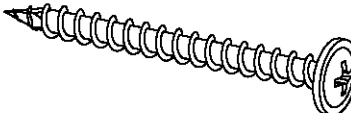



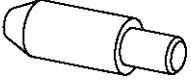
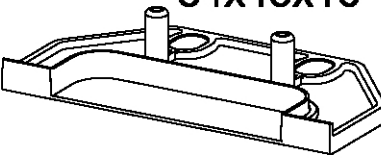
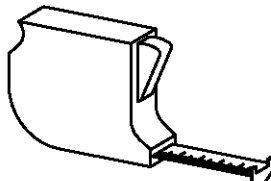
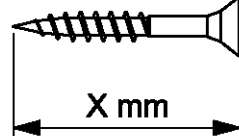
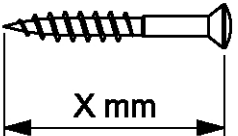
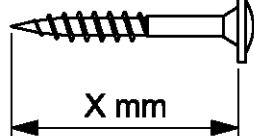
ØXmm

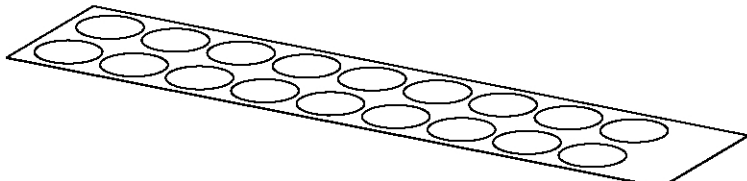
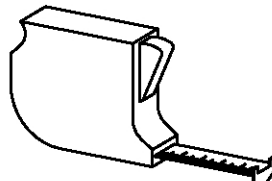
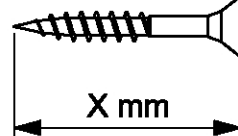
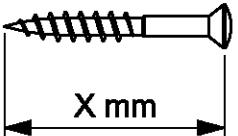
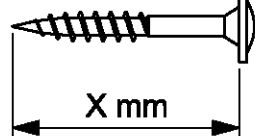


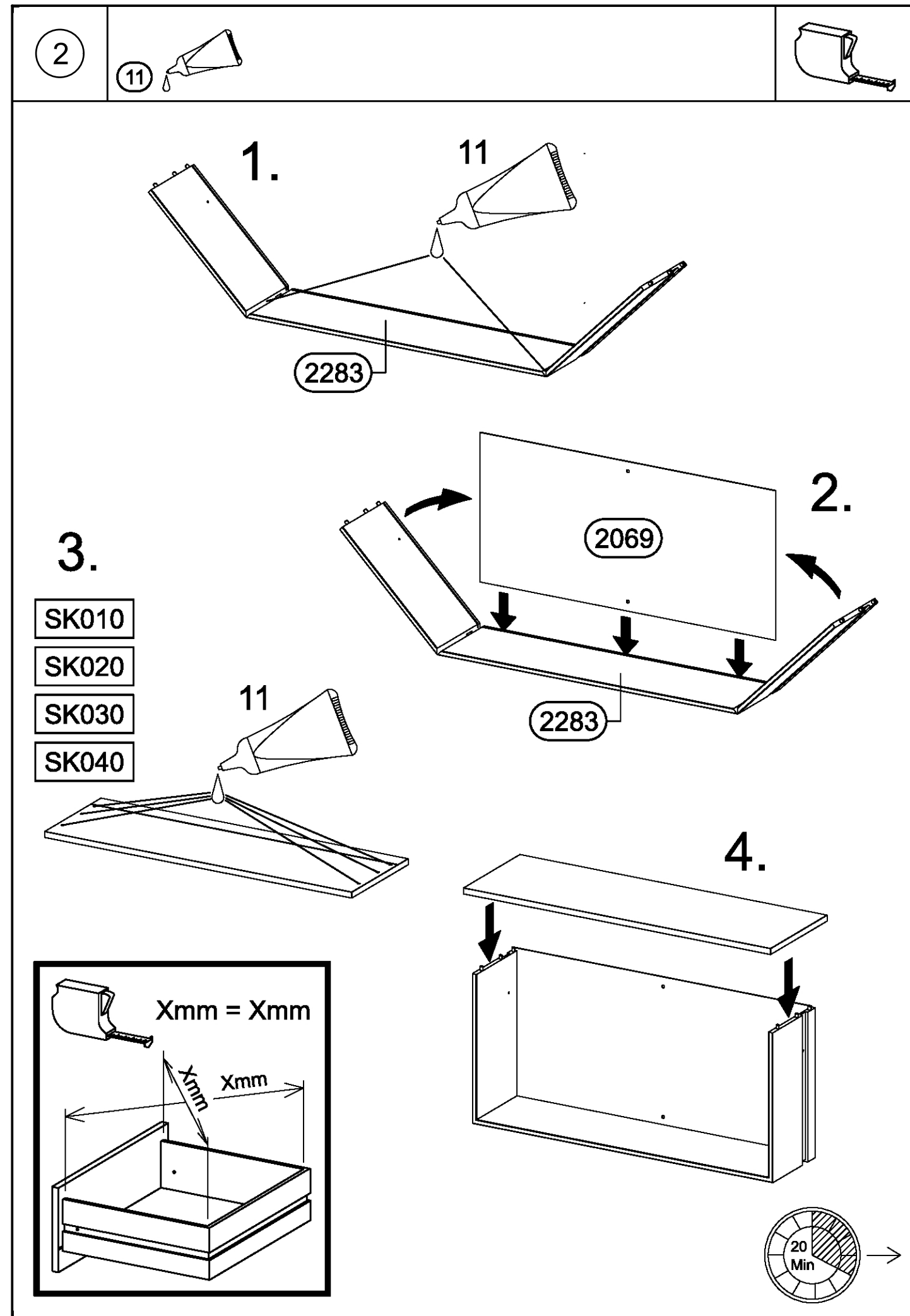
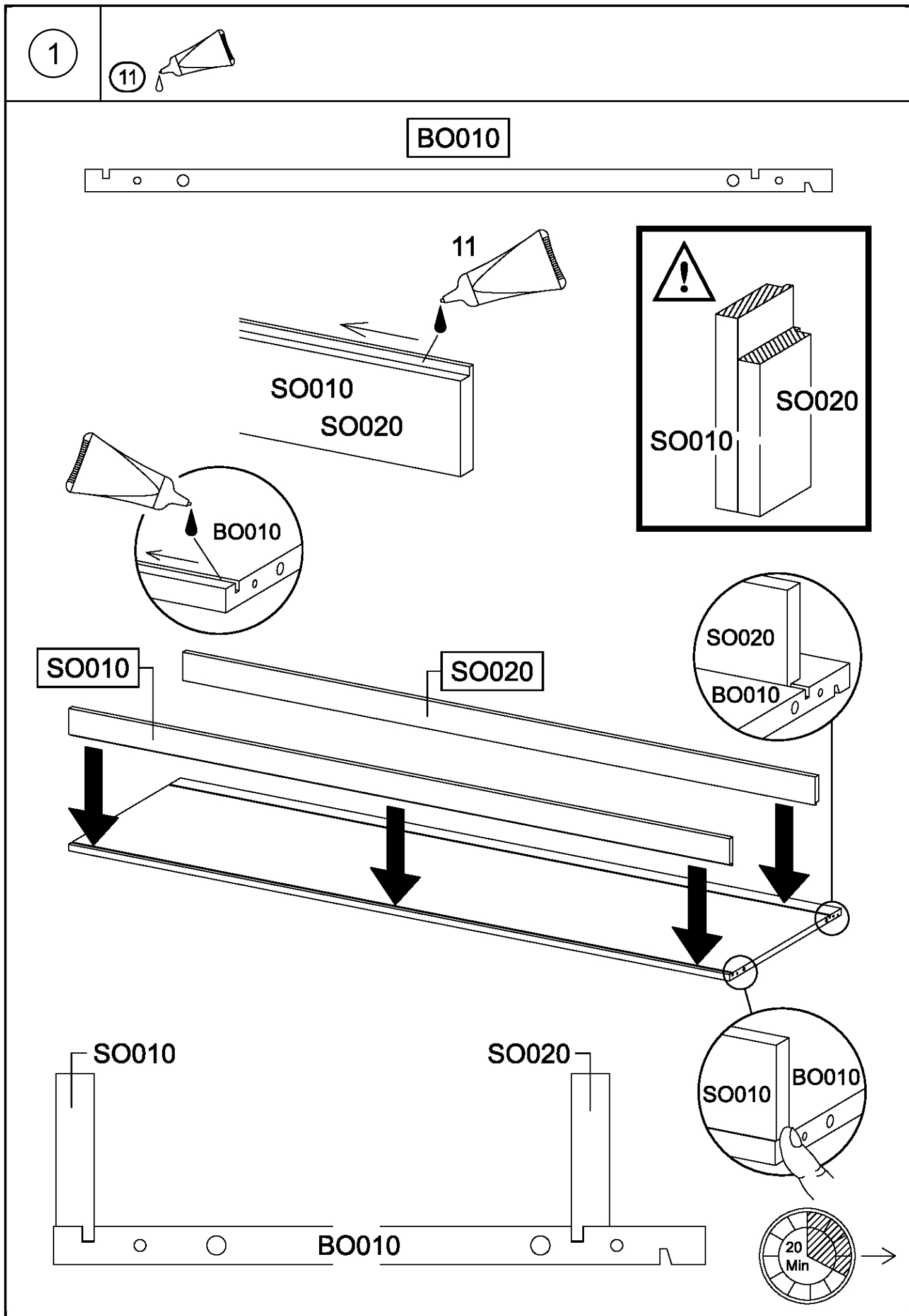


SK010 = SK020
 SK030 = SK040



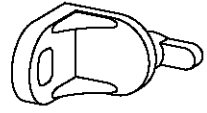
12x  1		 11		2x 55x16x6,2  12	
8x 8x30  18		16x 3,5x12  88		12x  116	
4x 40x40x2,0  188		8x 4x15  201		8x 3,5x15  205	
8x 6,3x50  233			8x 5,0x7,0  249		
8x 342x27x9,5  259				8x  274	
1x 4,5x50  296		16x 6x8  534		8x M4x9  568	
12x 6,5x12  779					
4x  807		4x 84x45x16  1031			
					
					

1x RE010 			
			
			
			

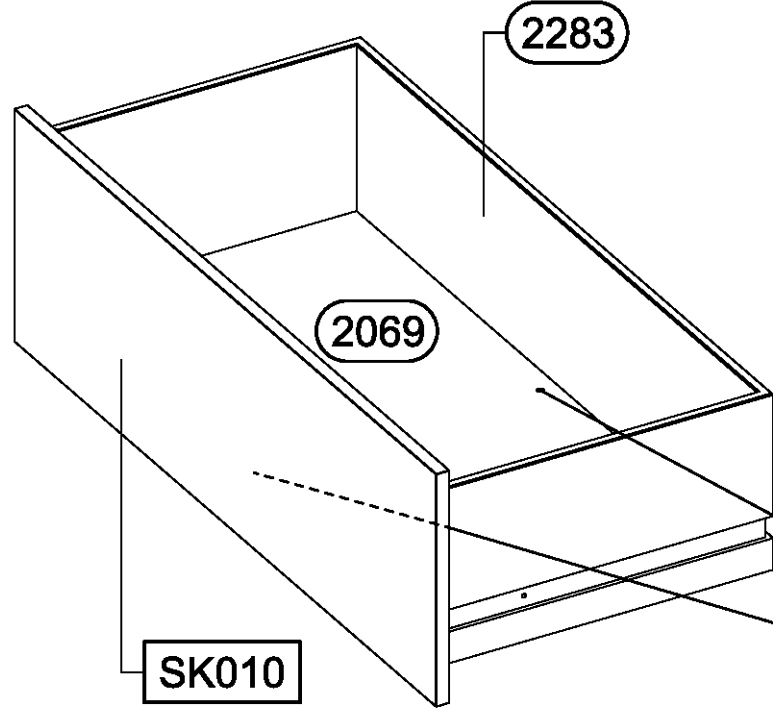
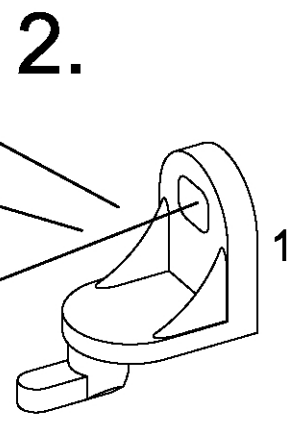
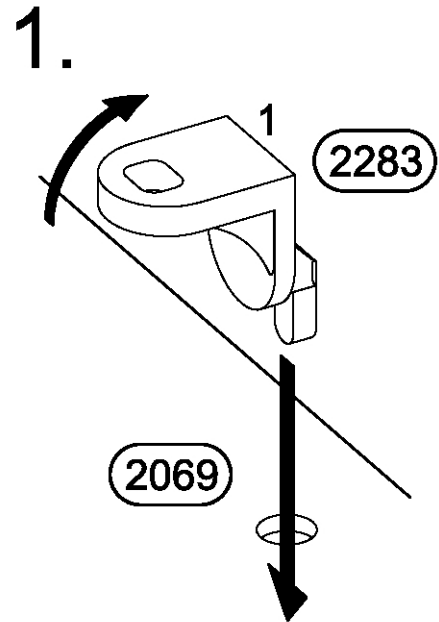
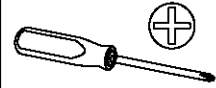


3

8x 1



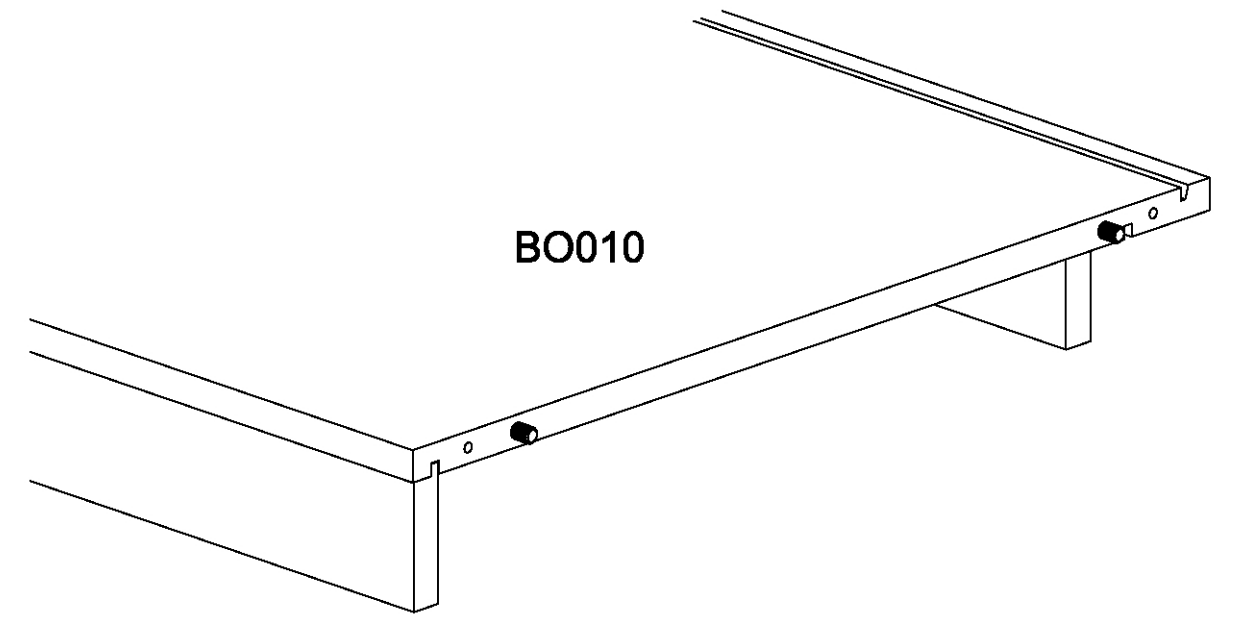
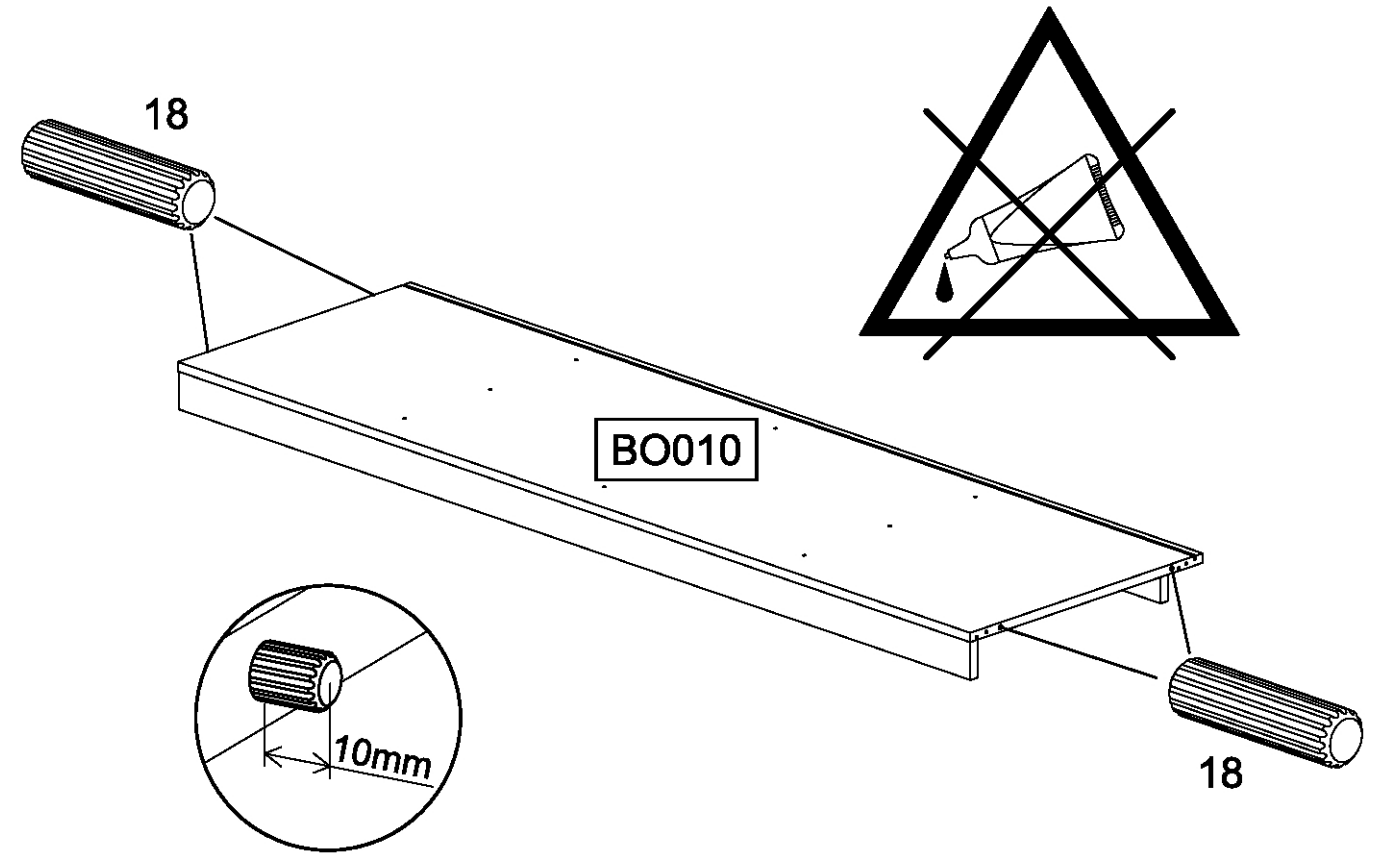
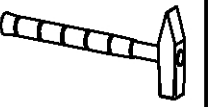
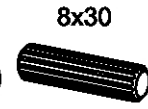
8x 201

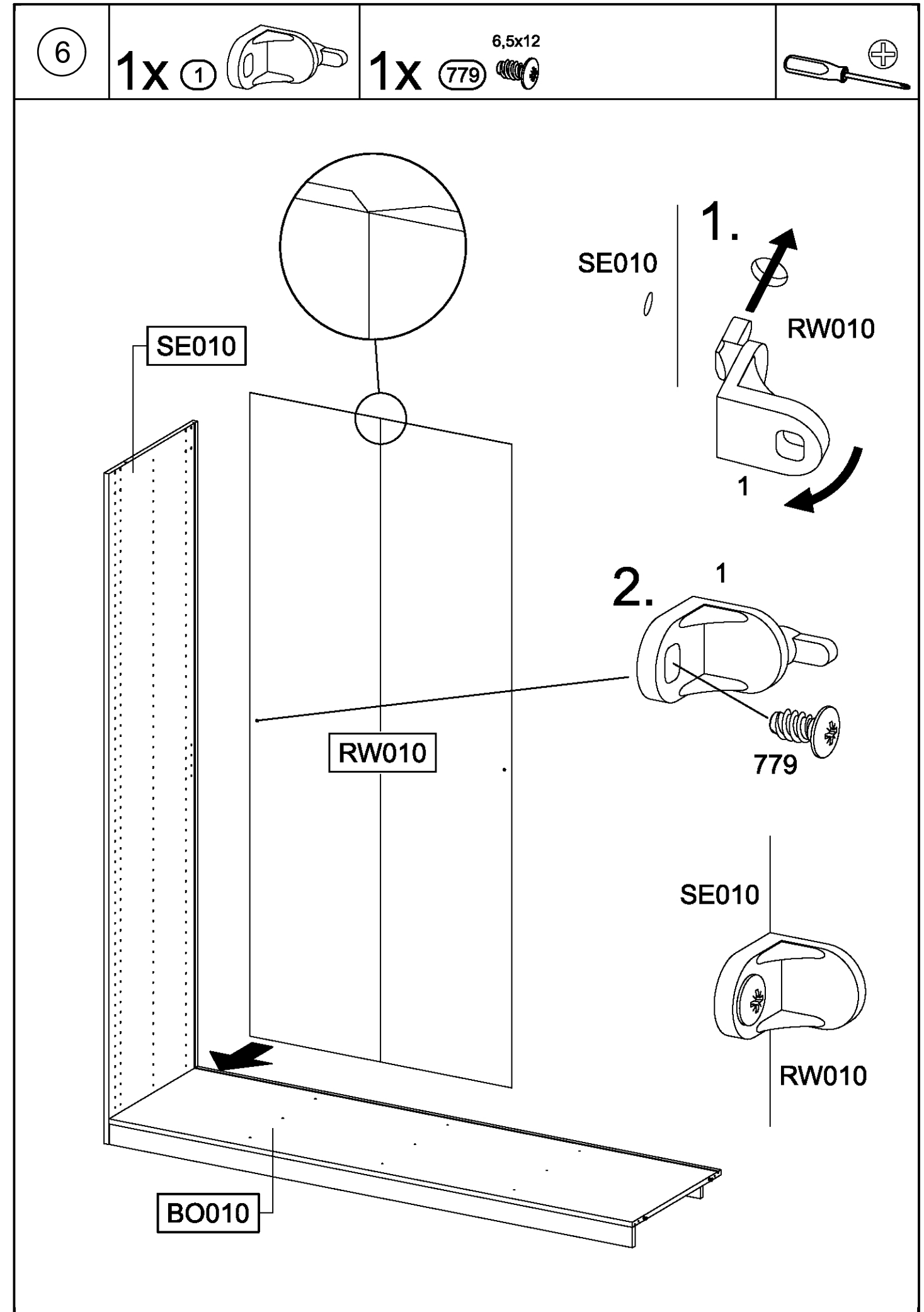
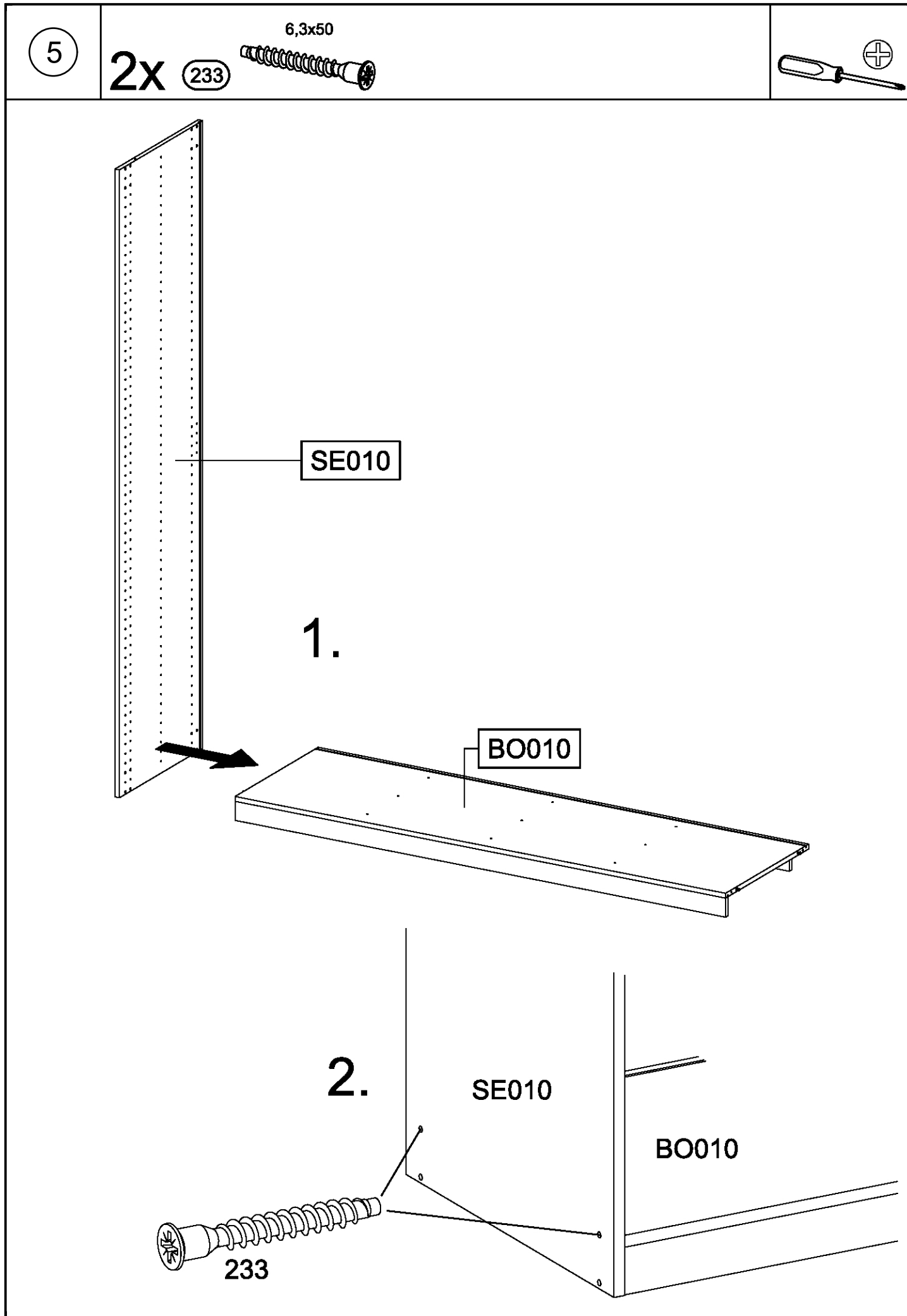


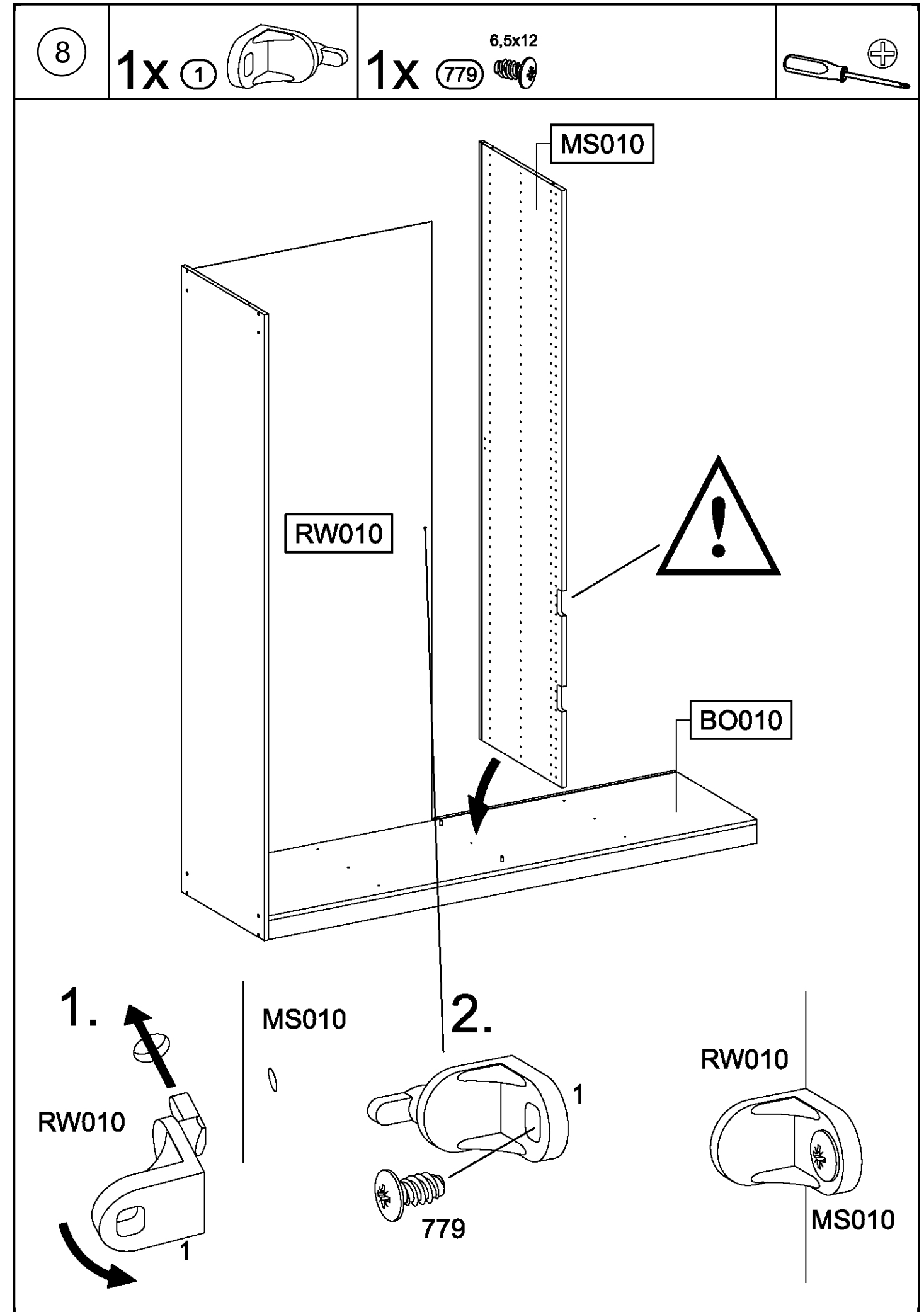
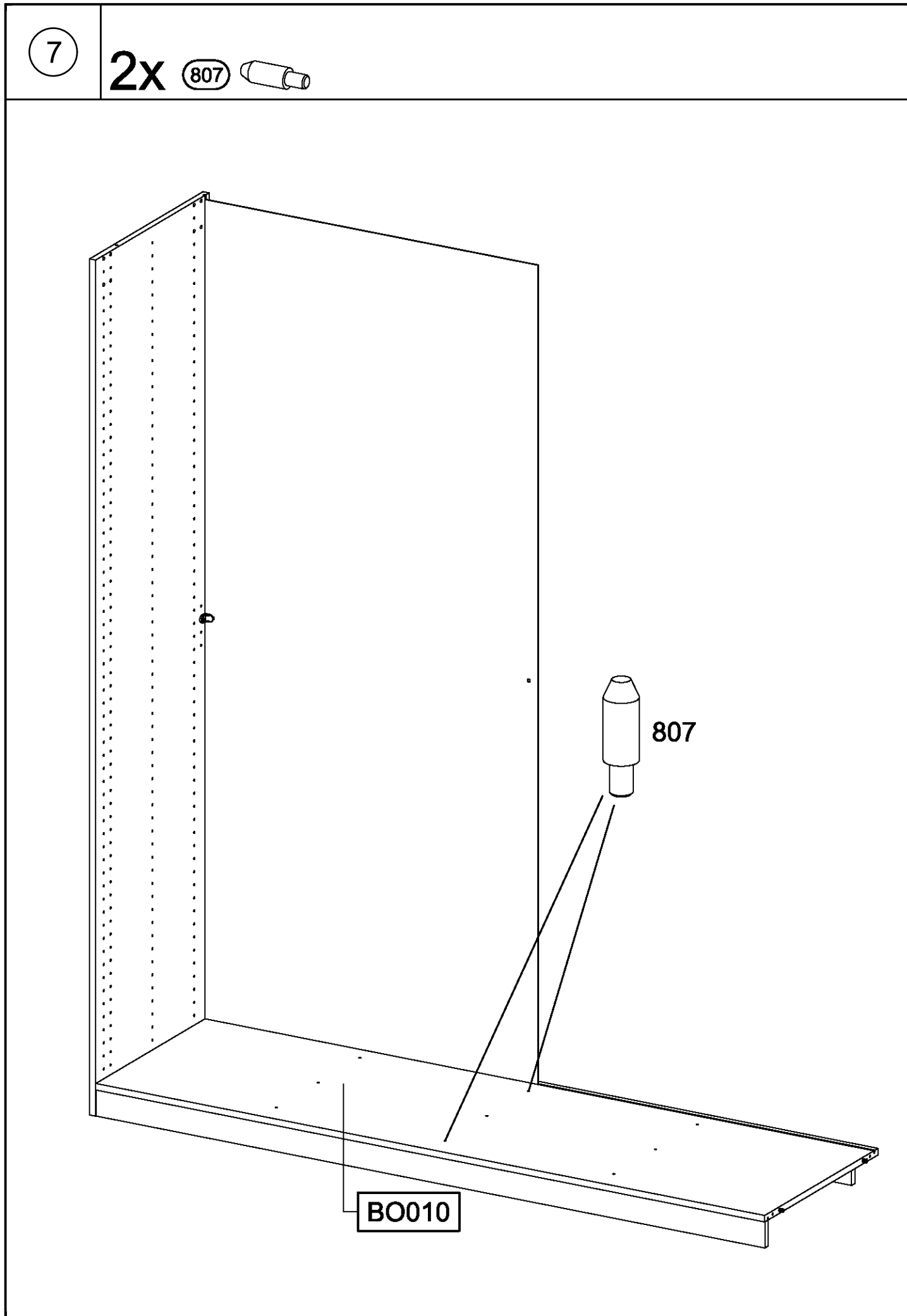
- SK010
- SK020
- SK030
- SK040

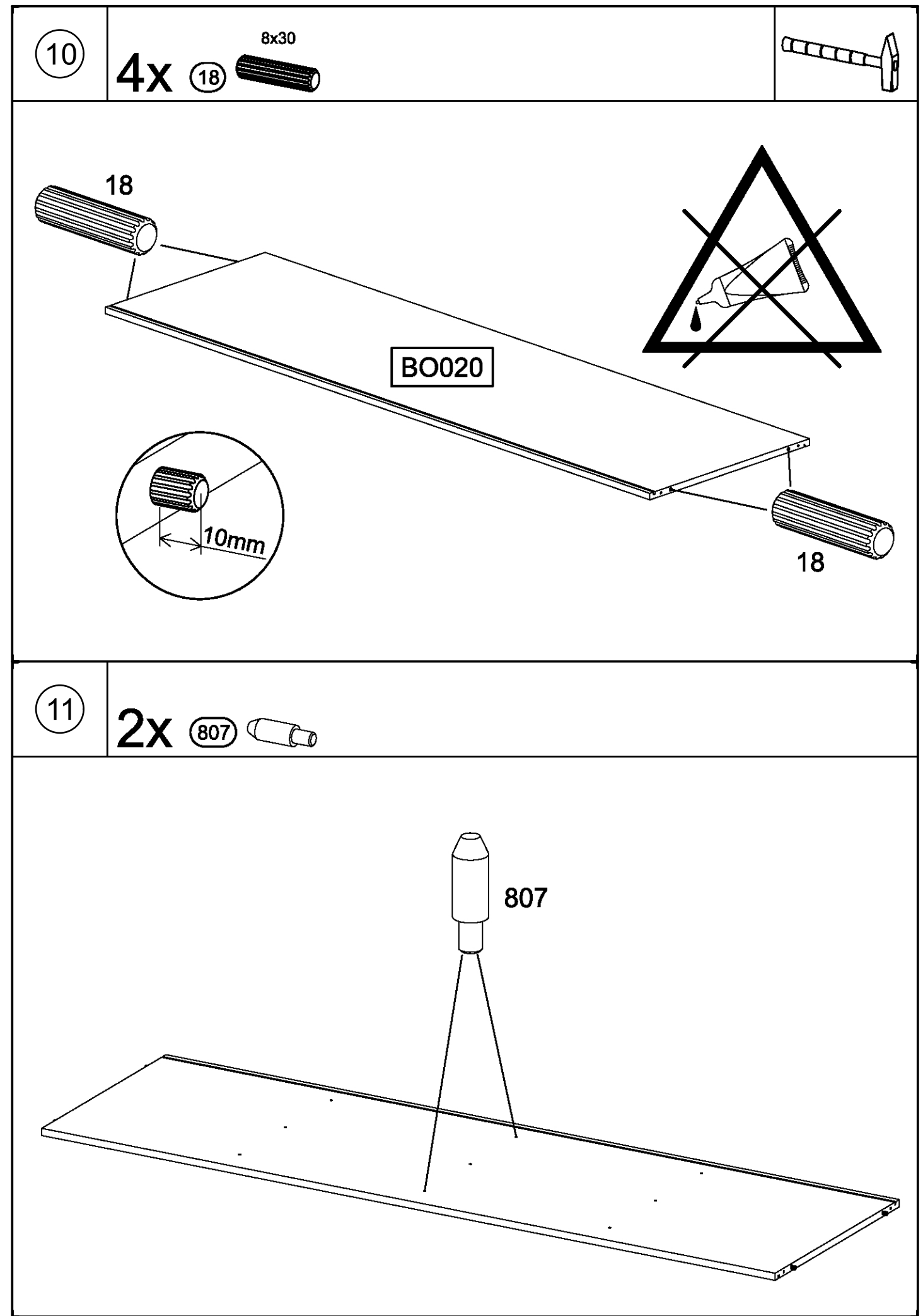
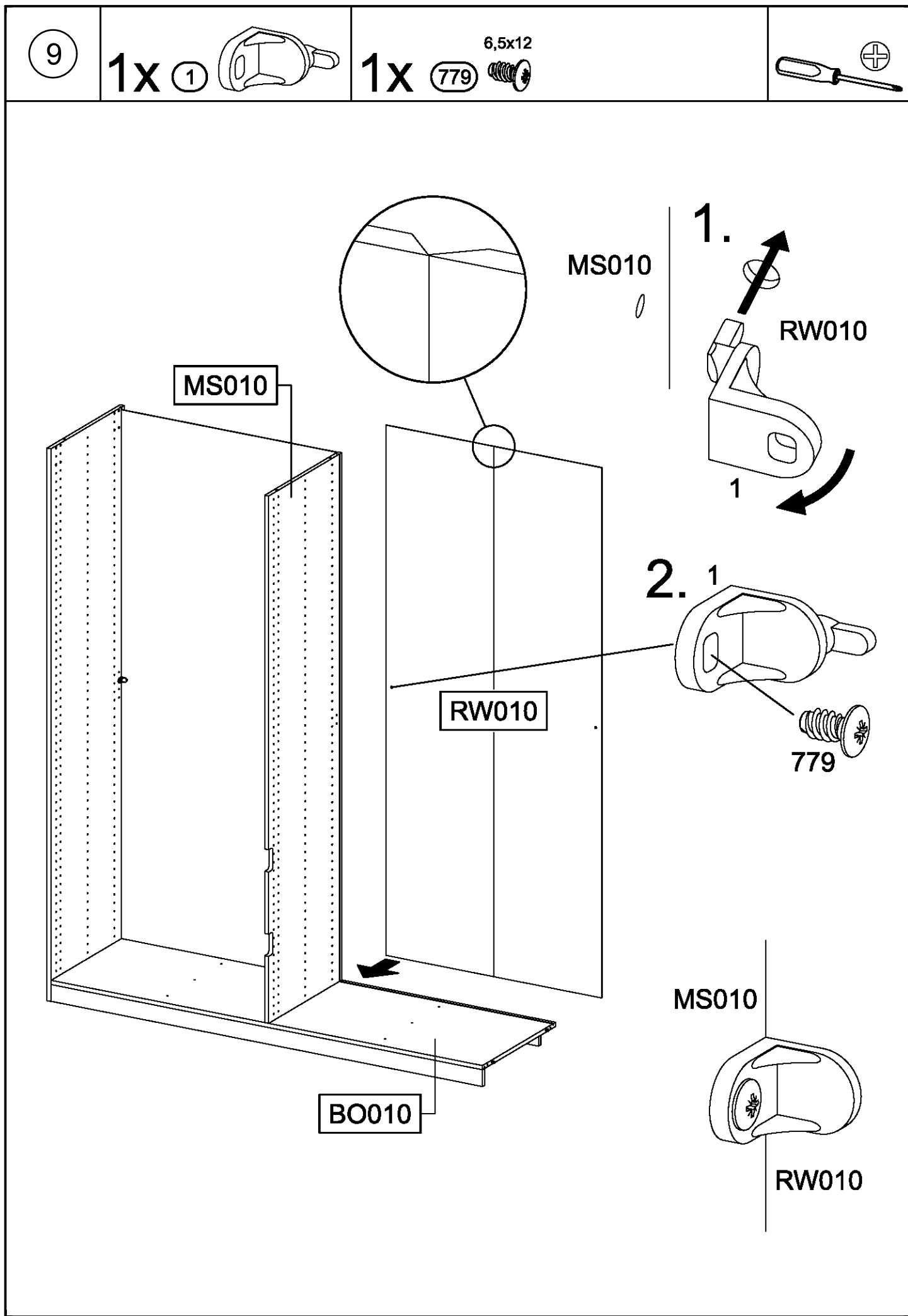
4

4x 18

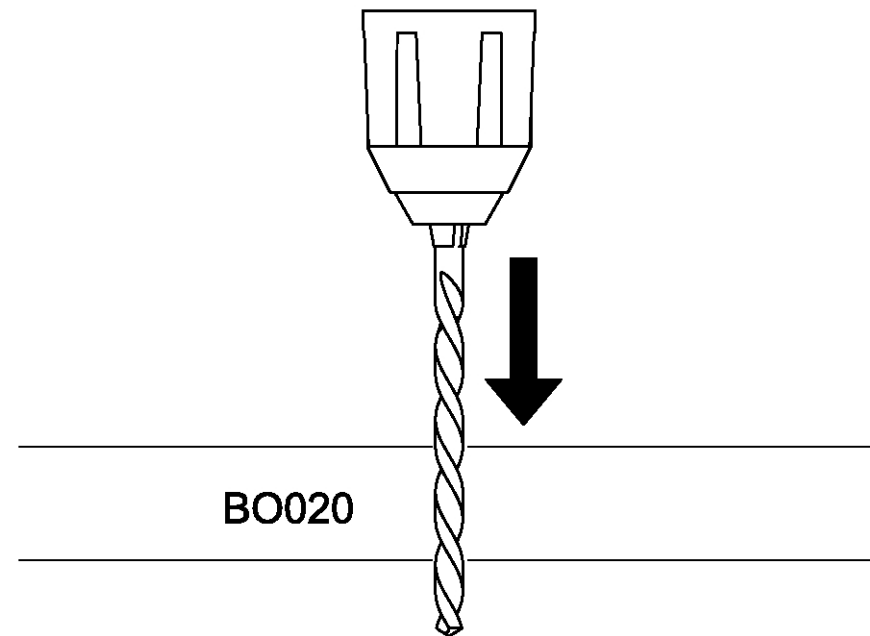
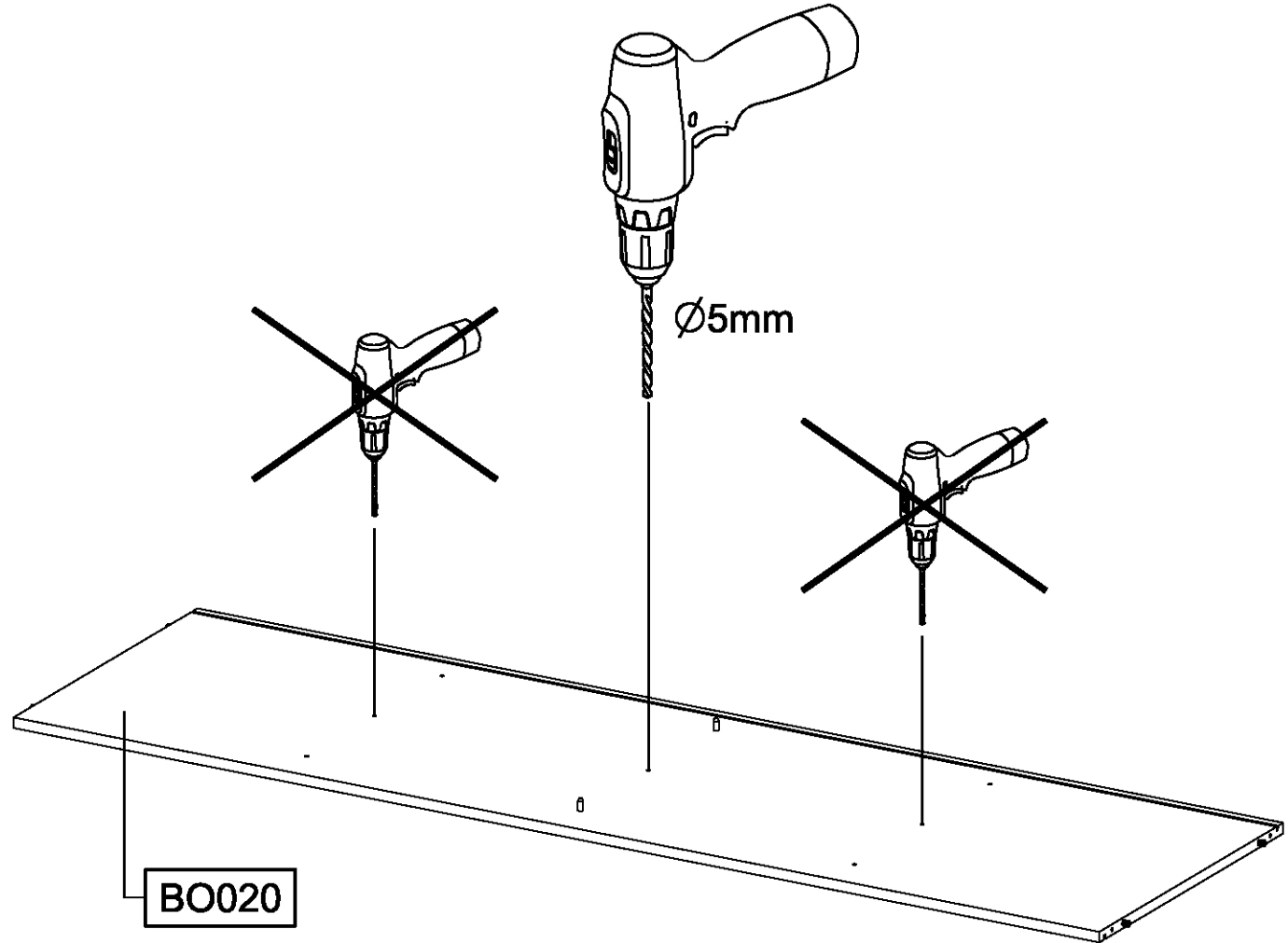
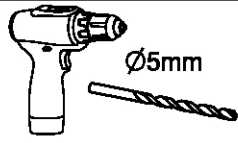






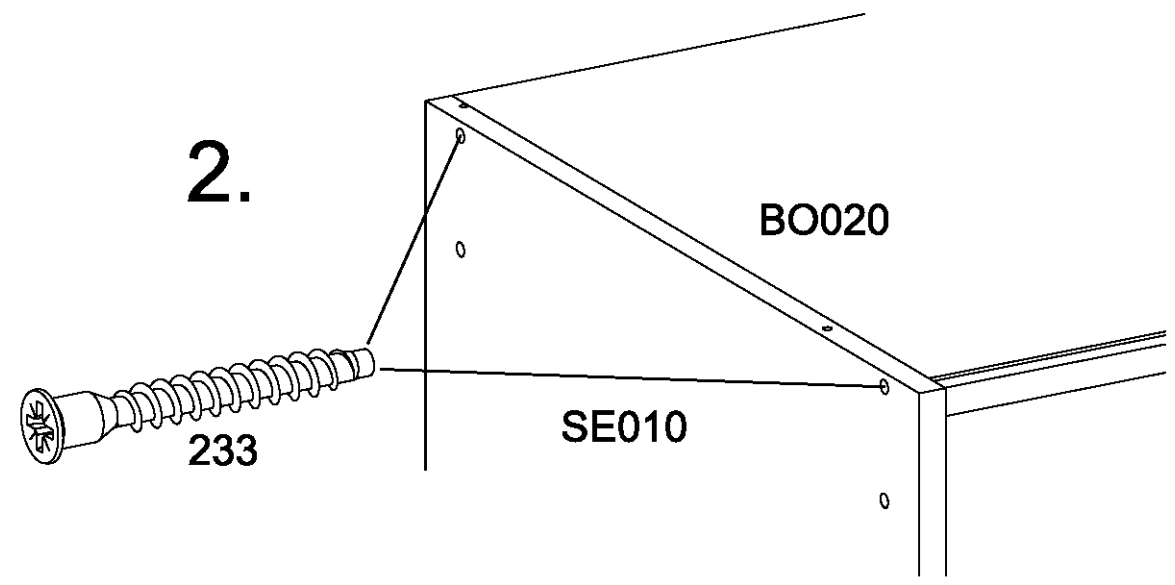
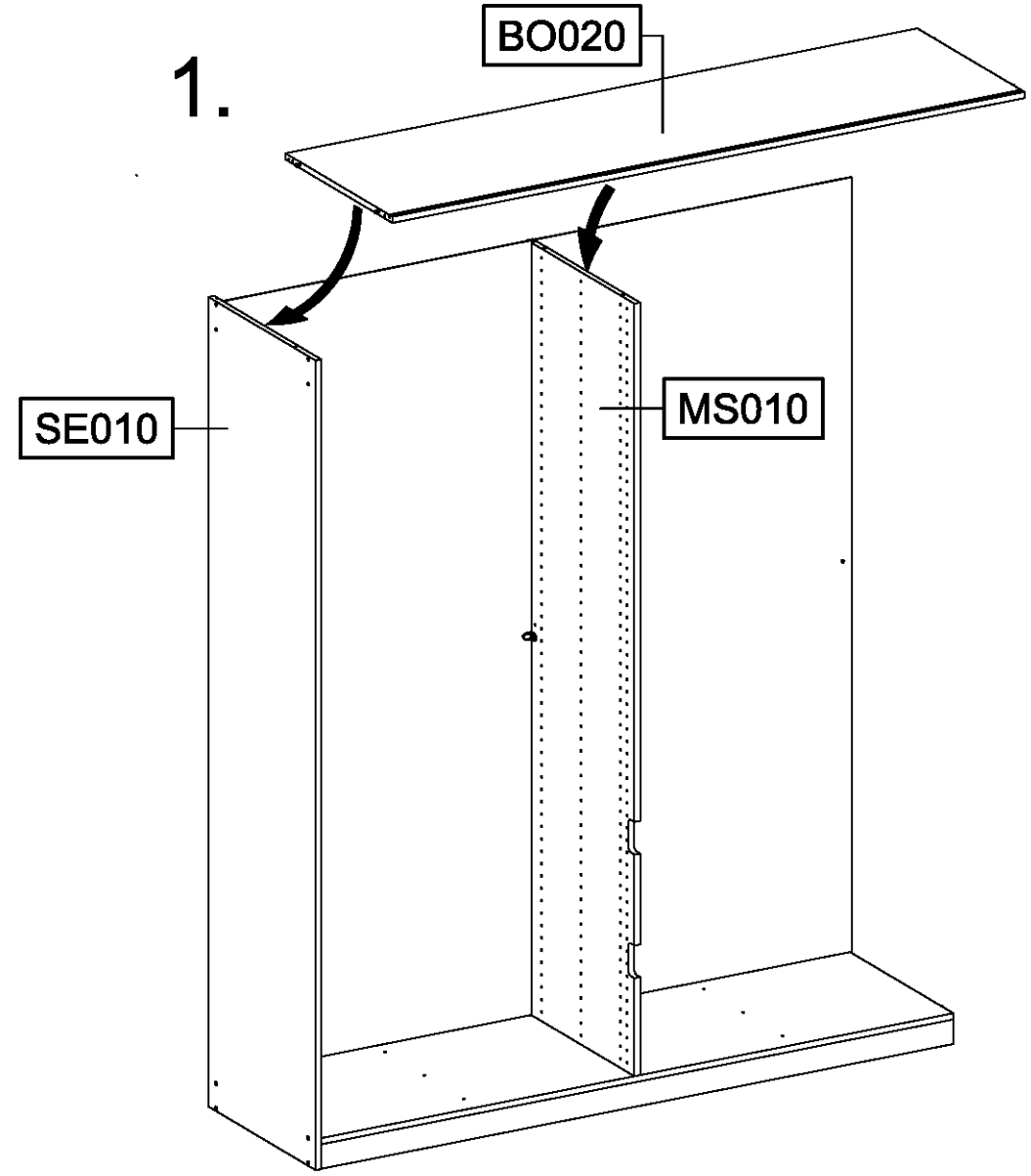
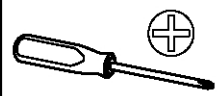
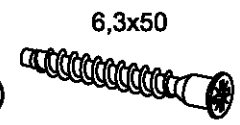


12



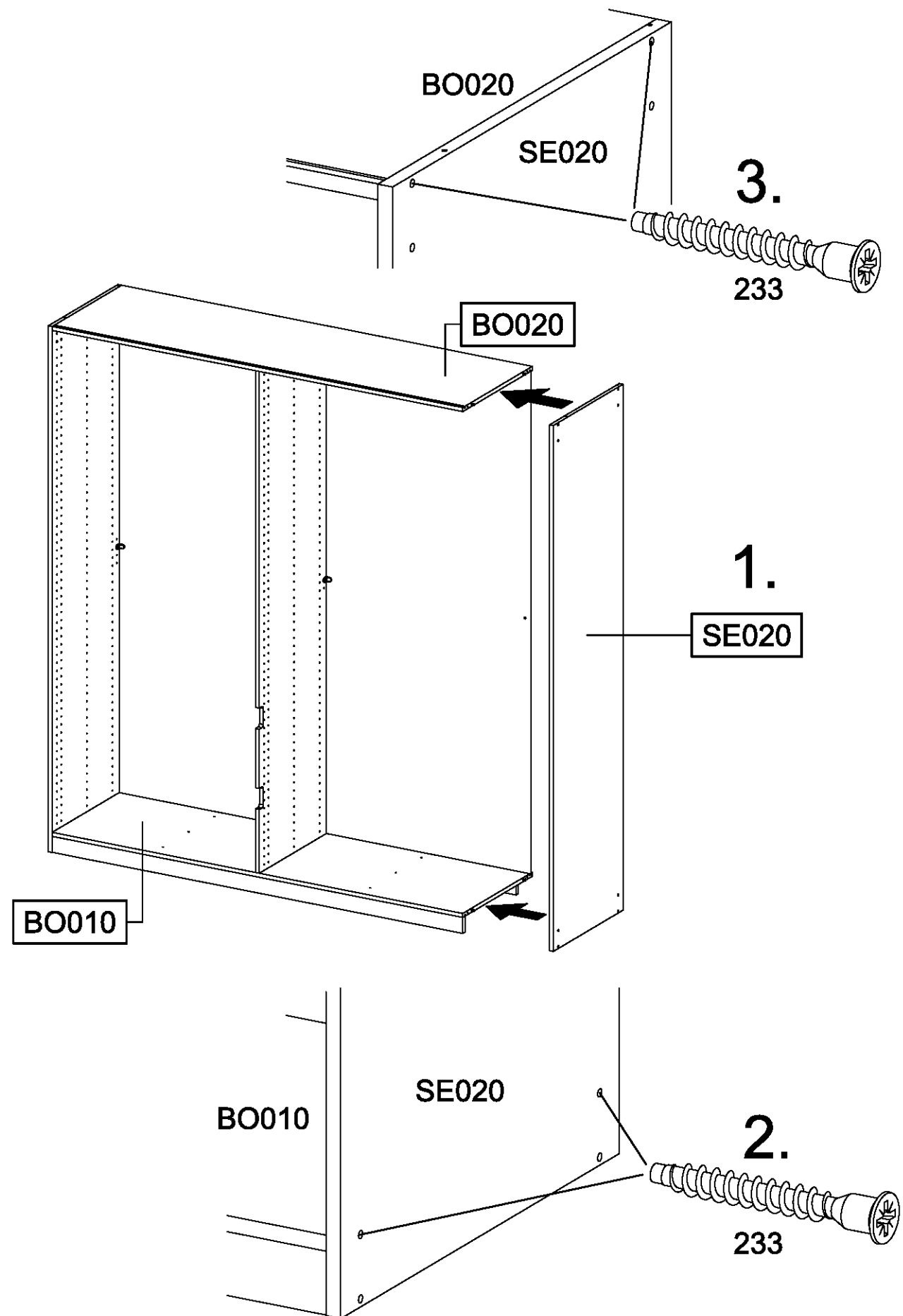
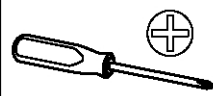
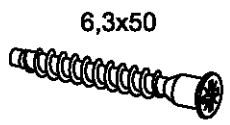
13

2x 233



14

4x 233

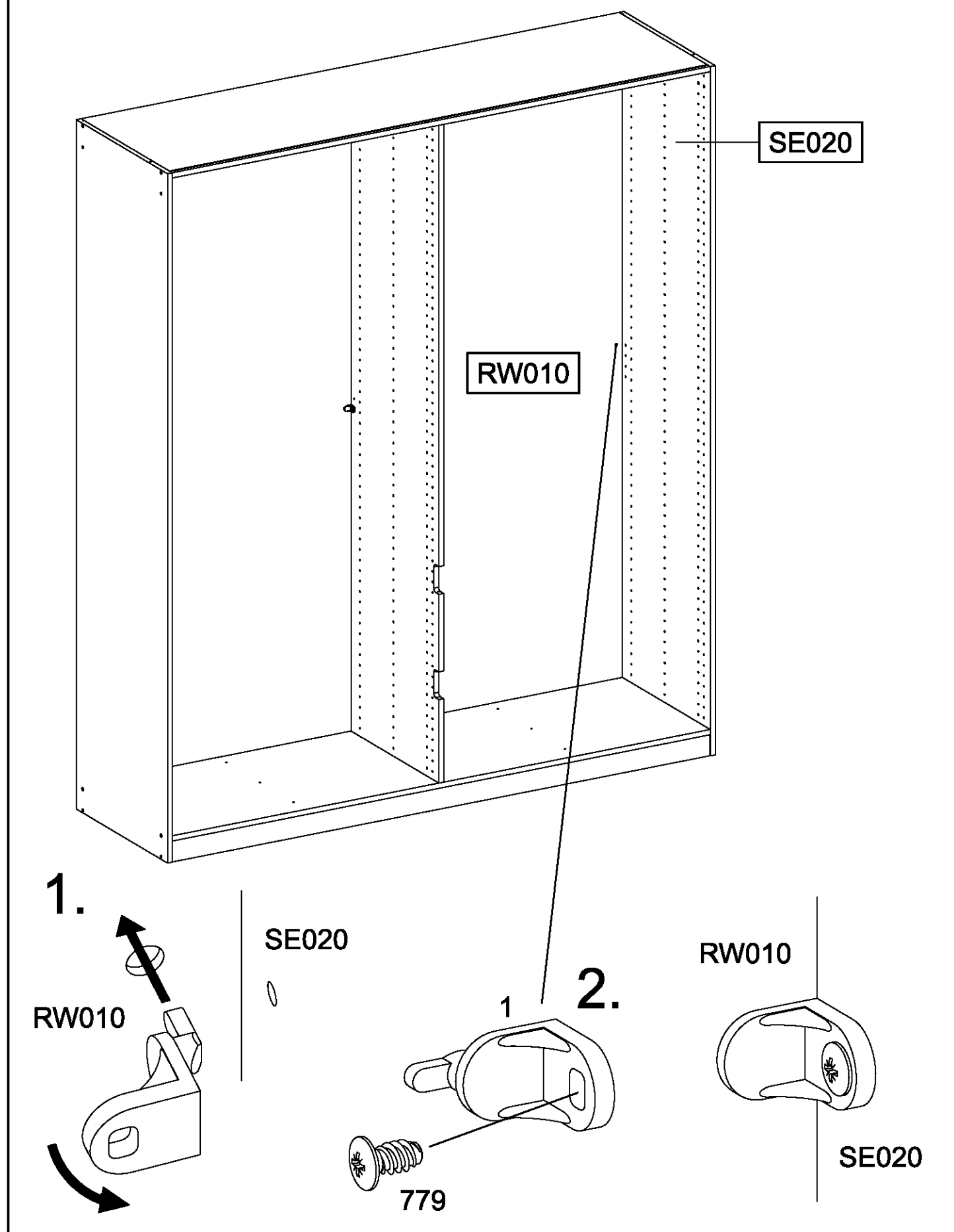
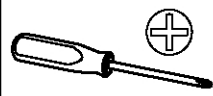
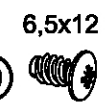


15

1x 1



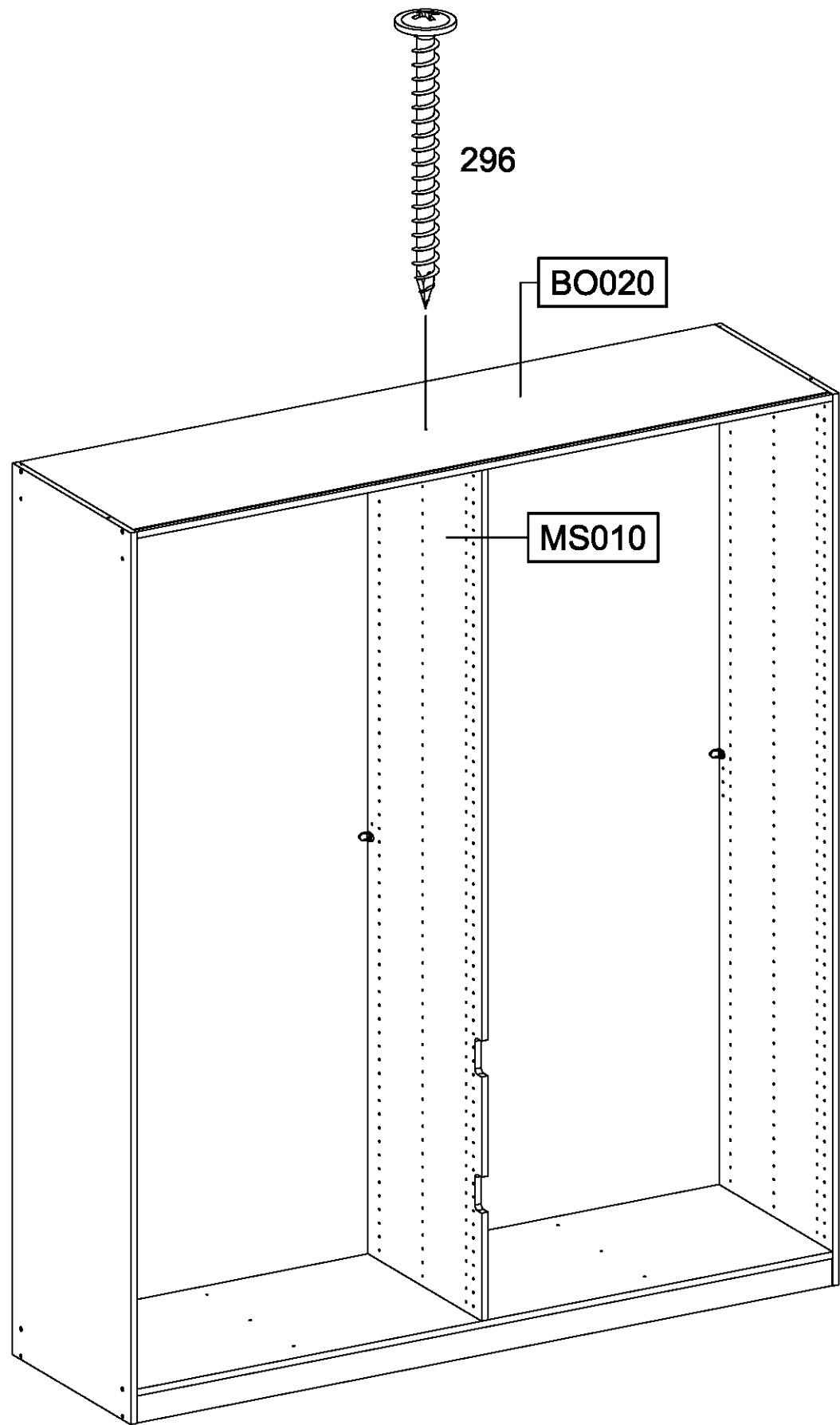
1x 779



16

1x 296

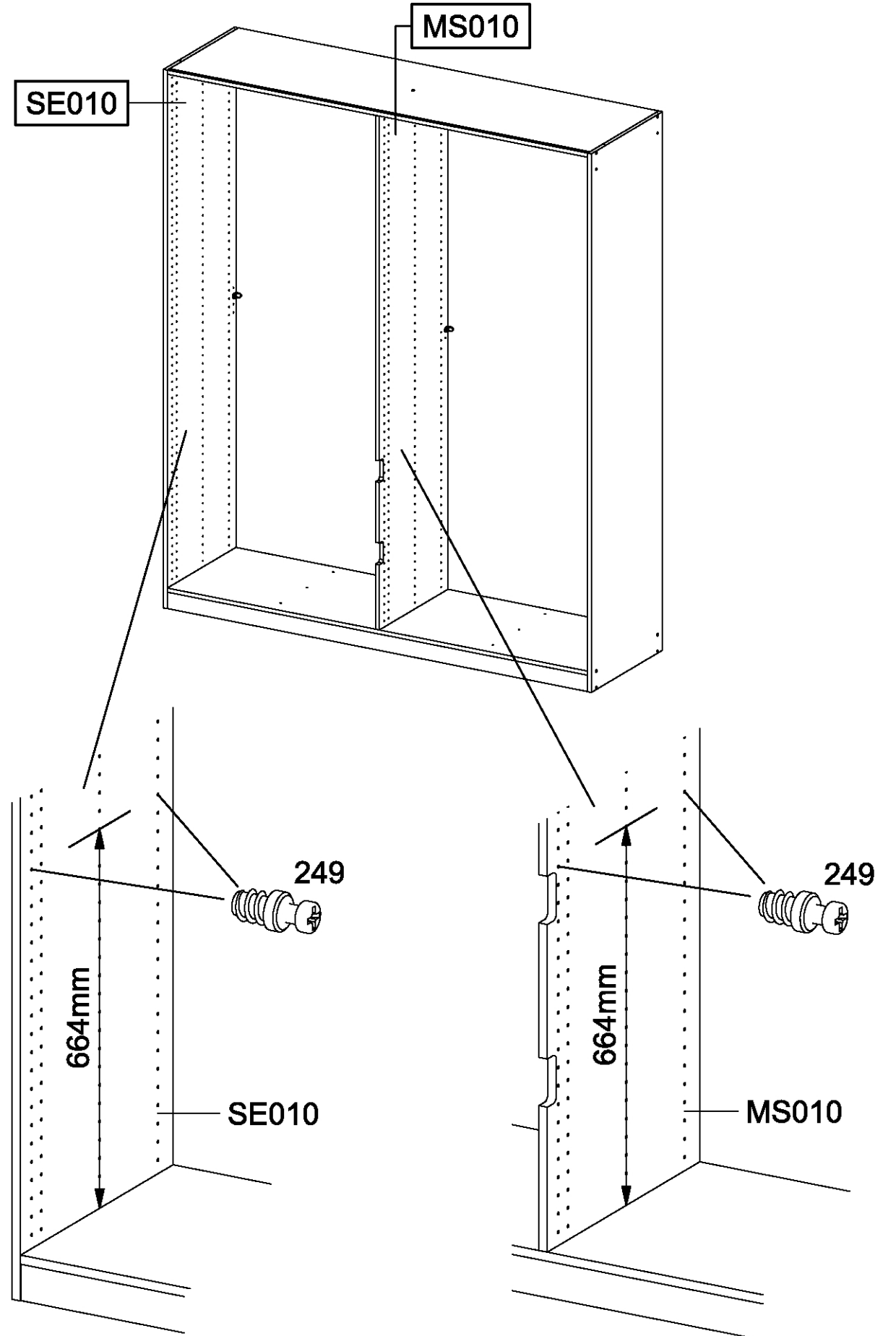
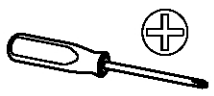
4,5x50

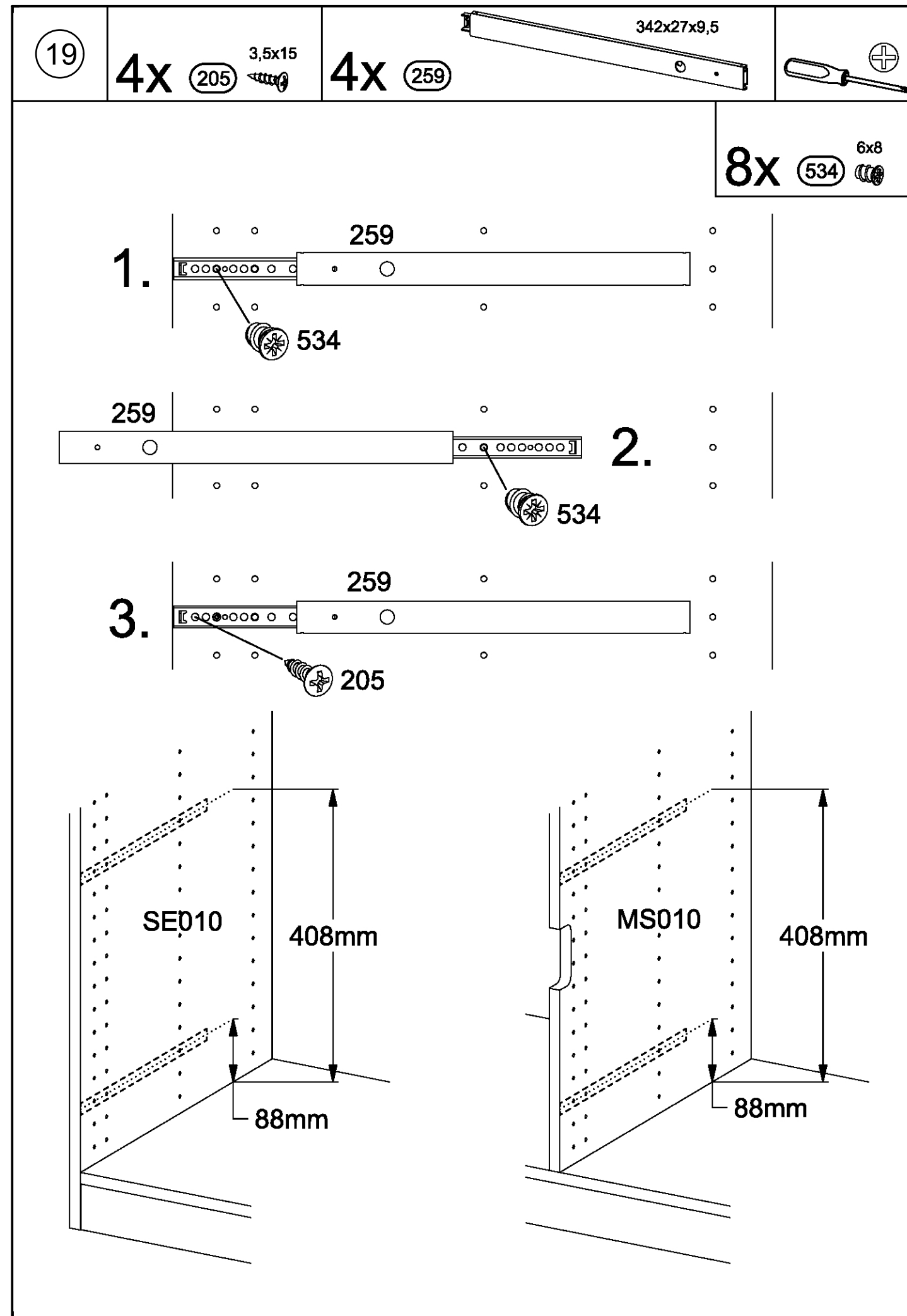
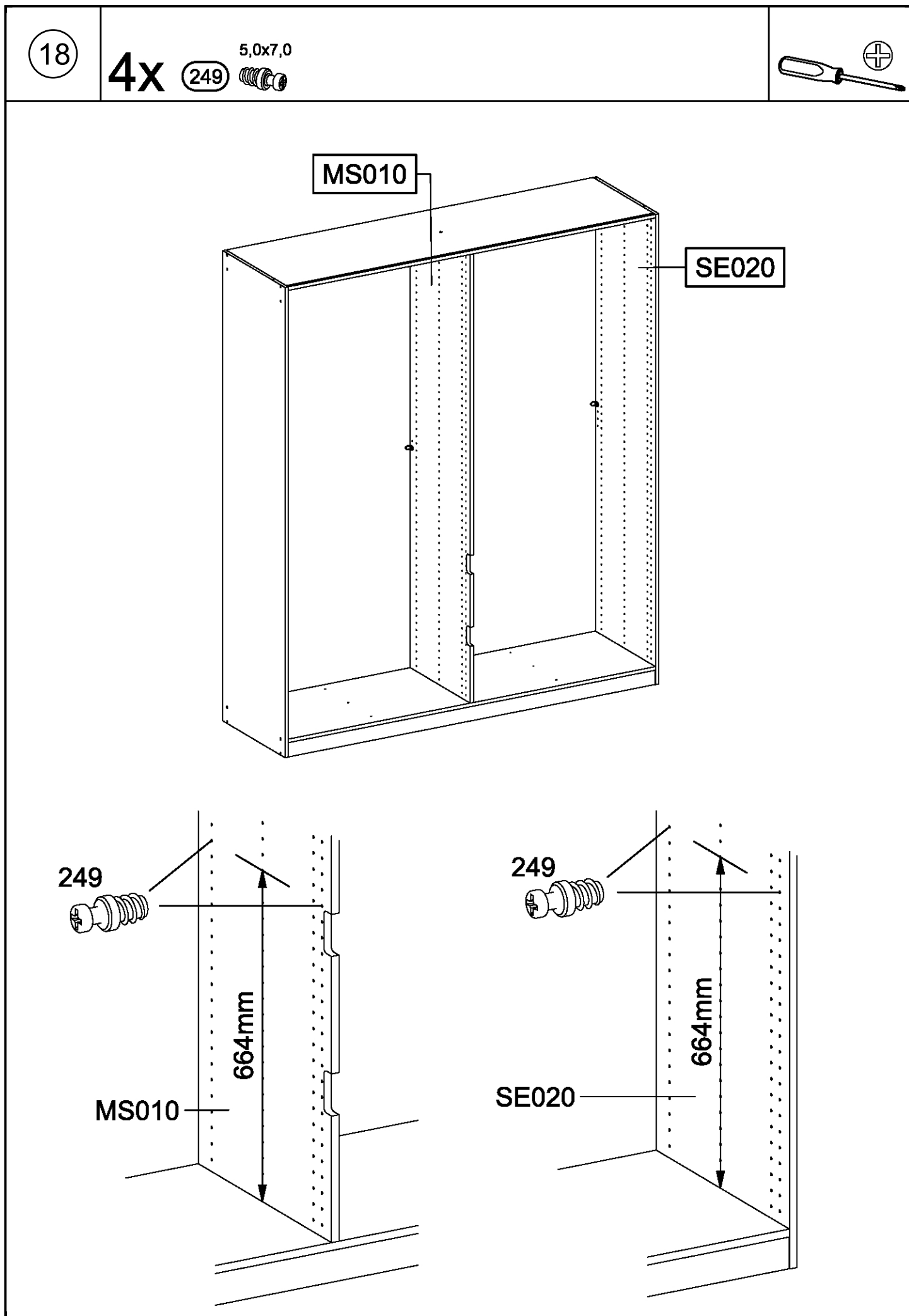


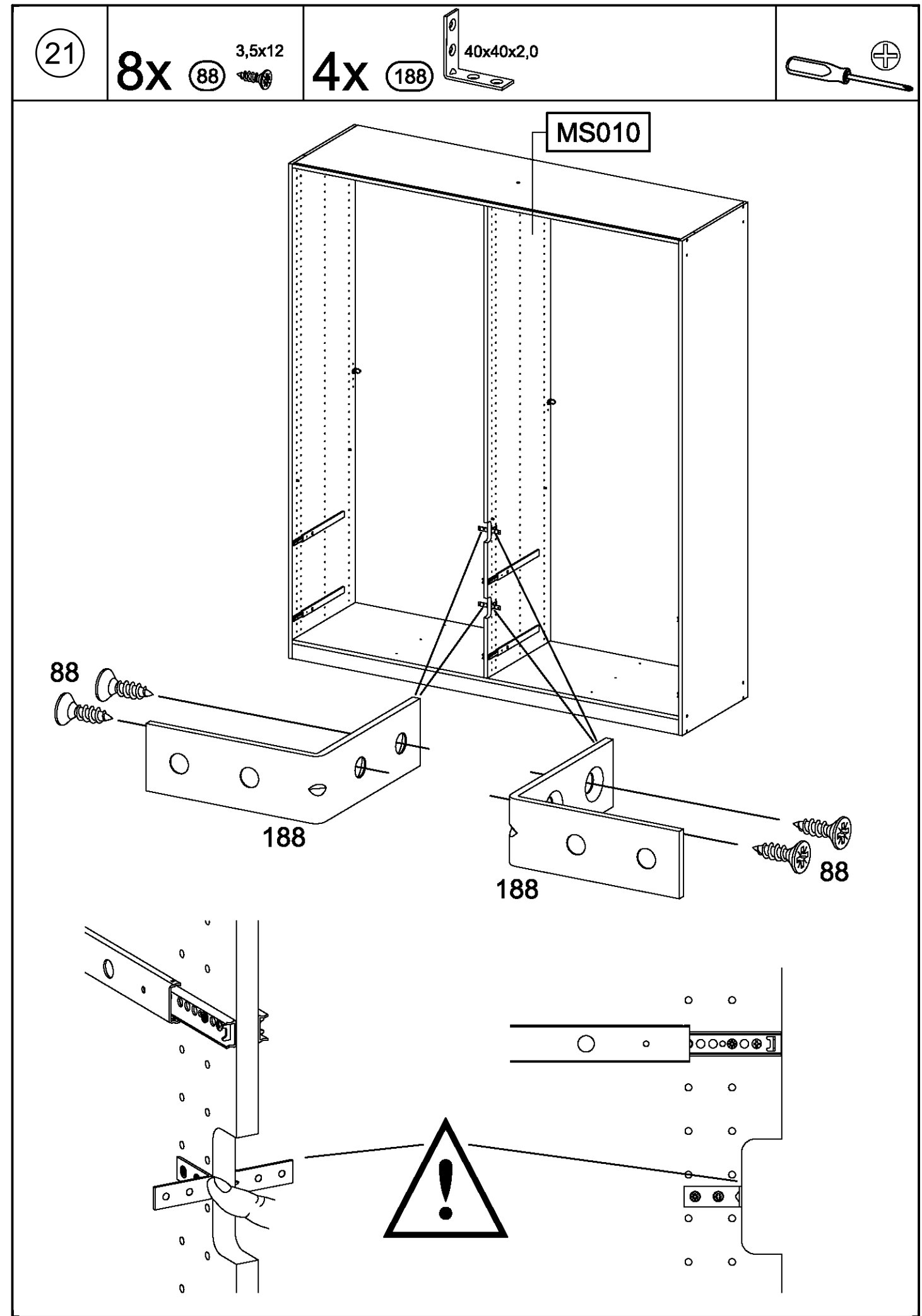
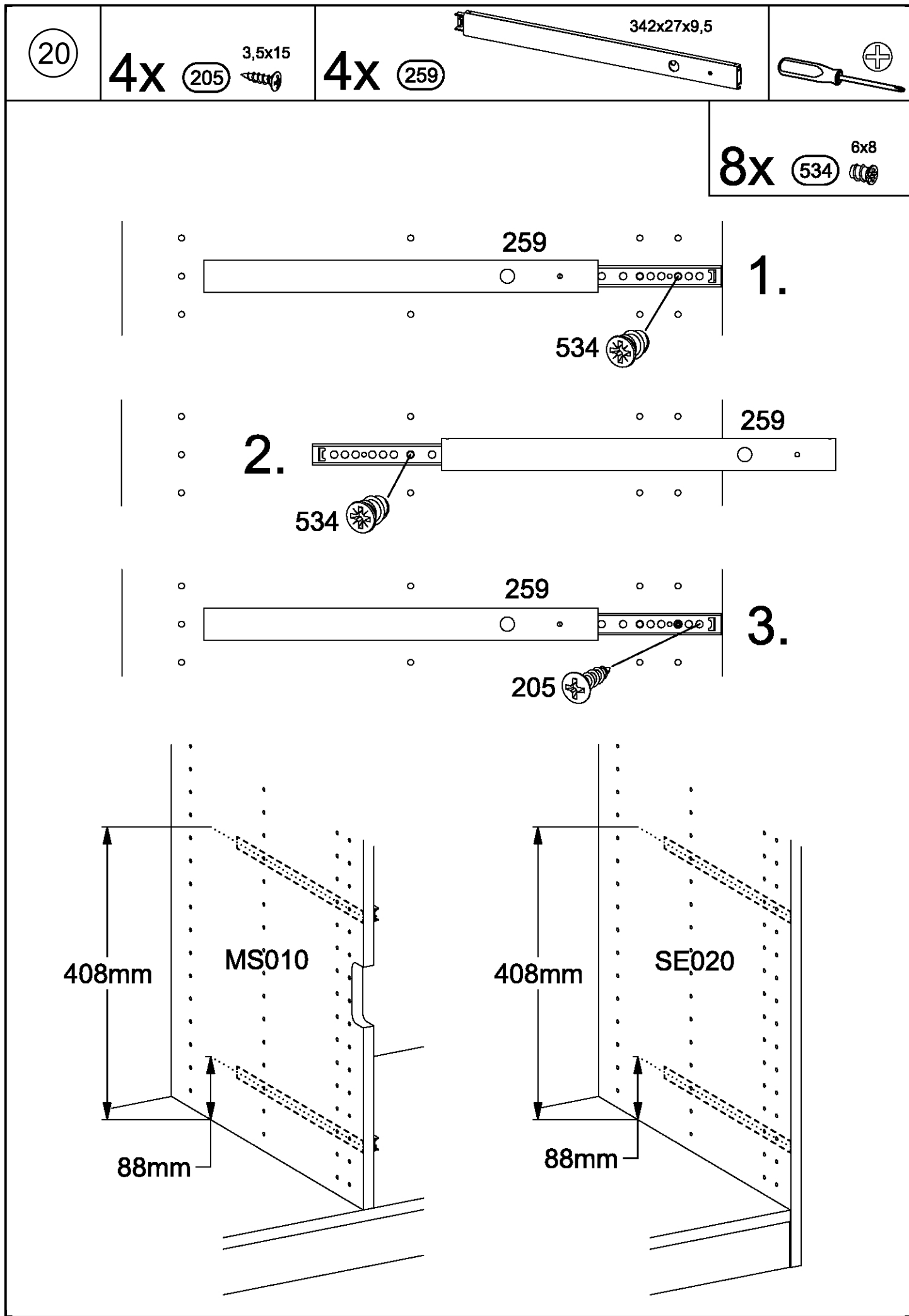
17

4x 249

5,0x7,0

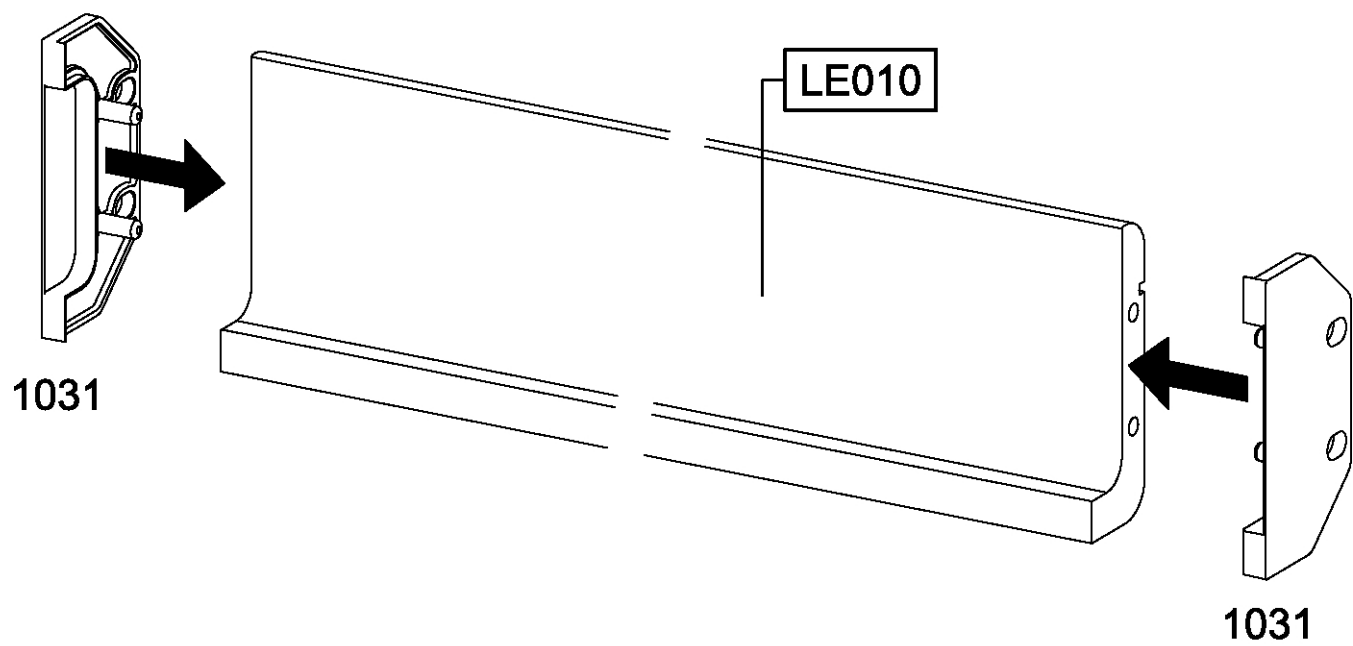
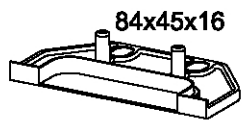






22

4x 1031

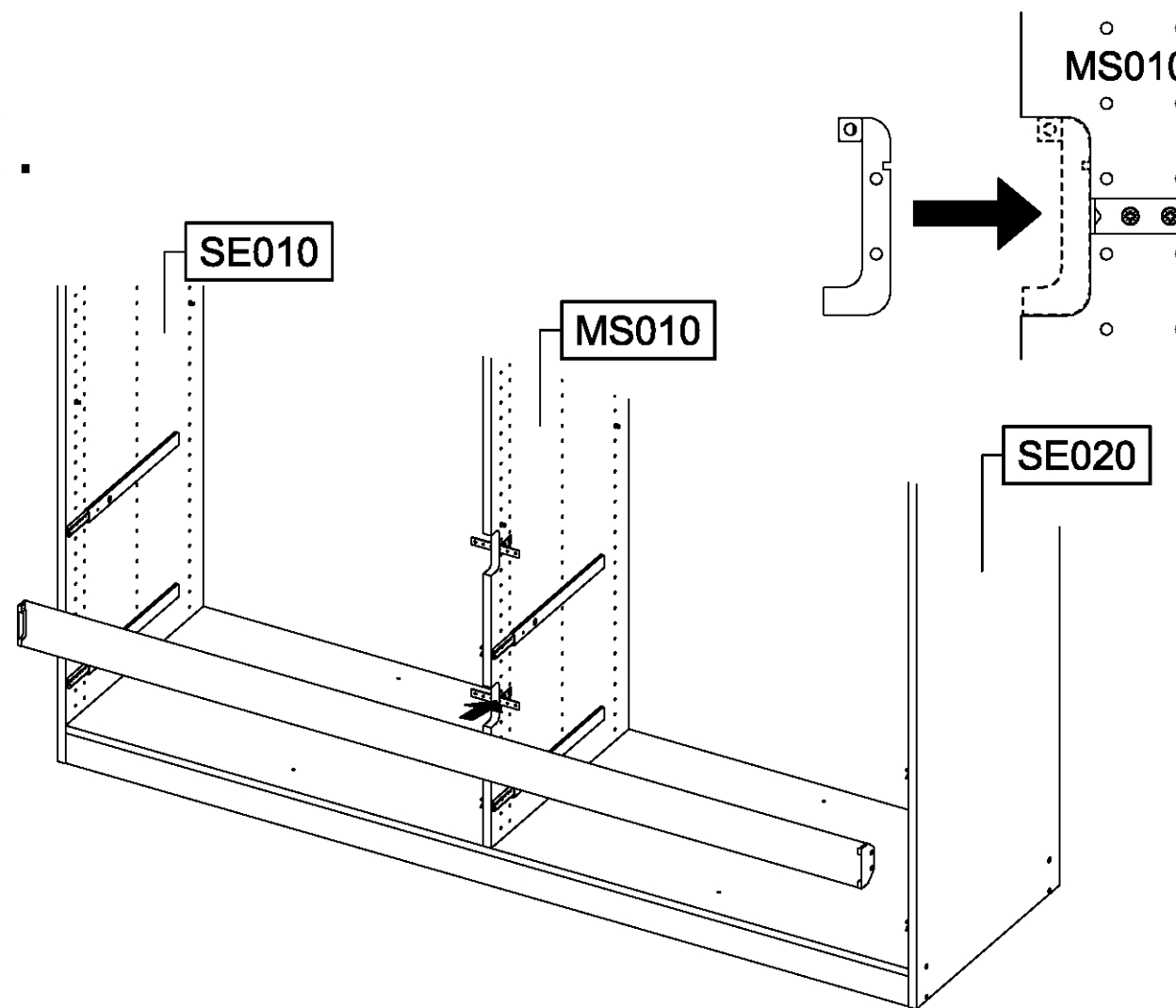


23

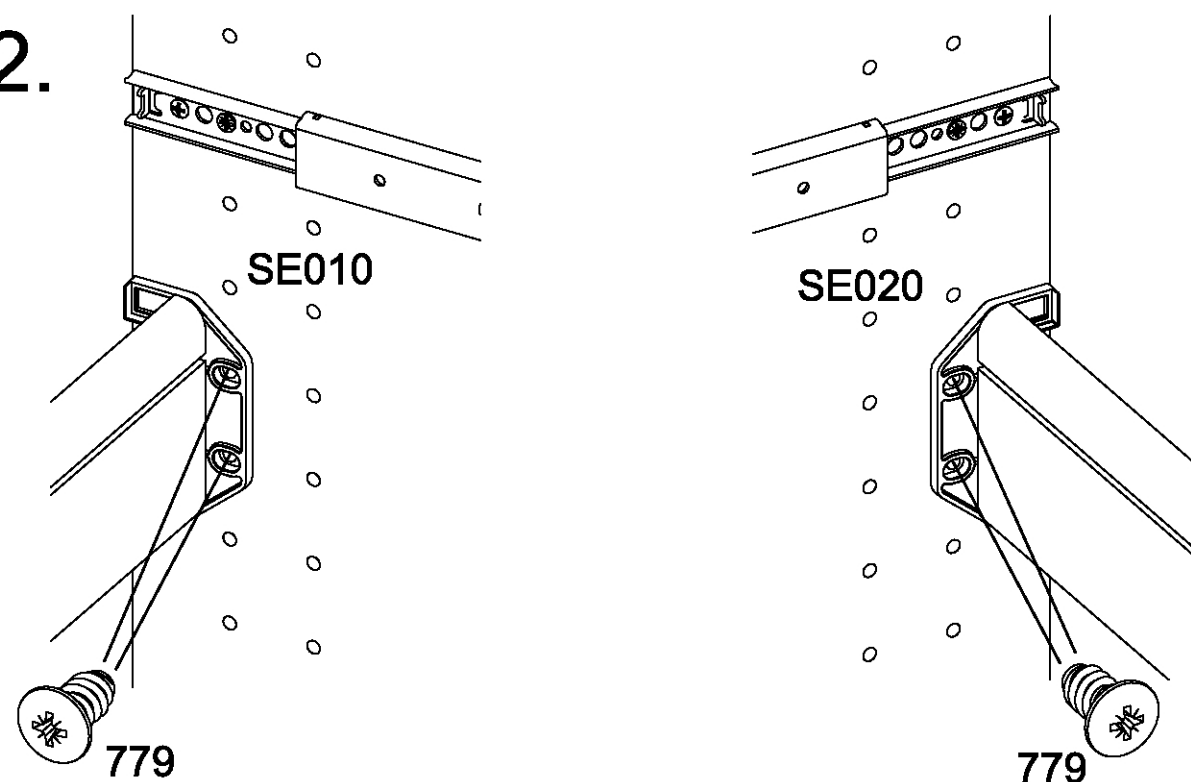
4x 779 6,5x12



1.



2.

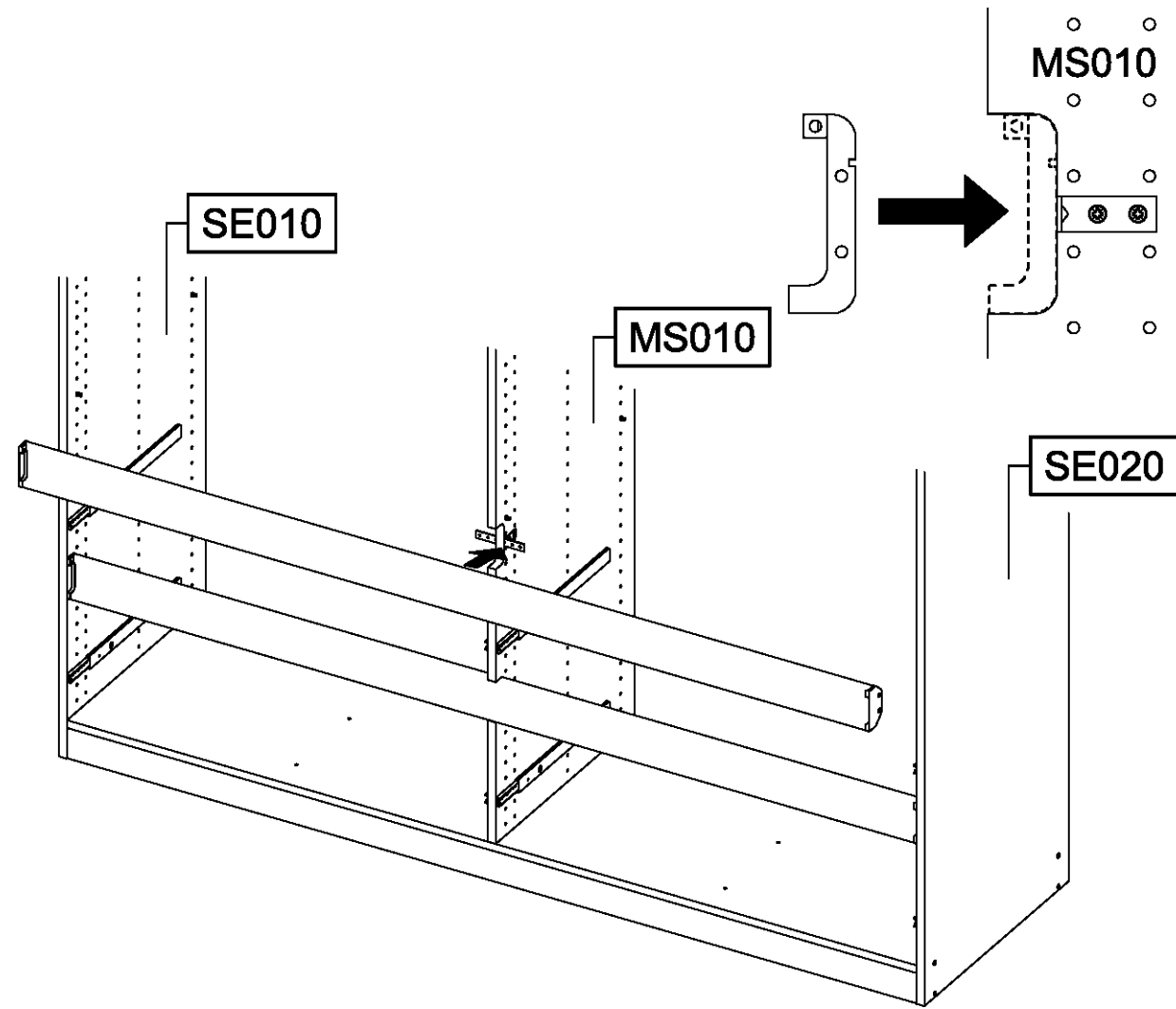


24

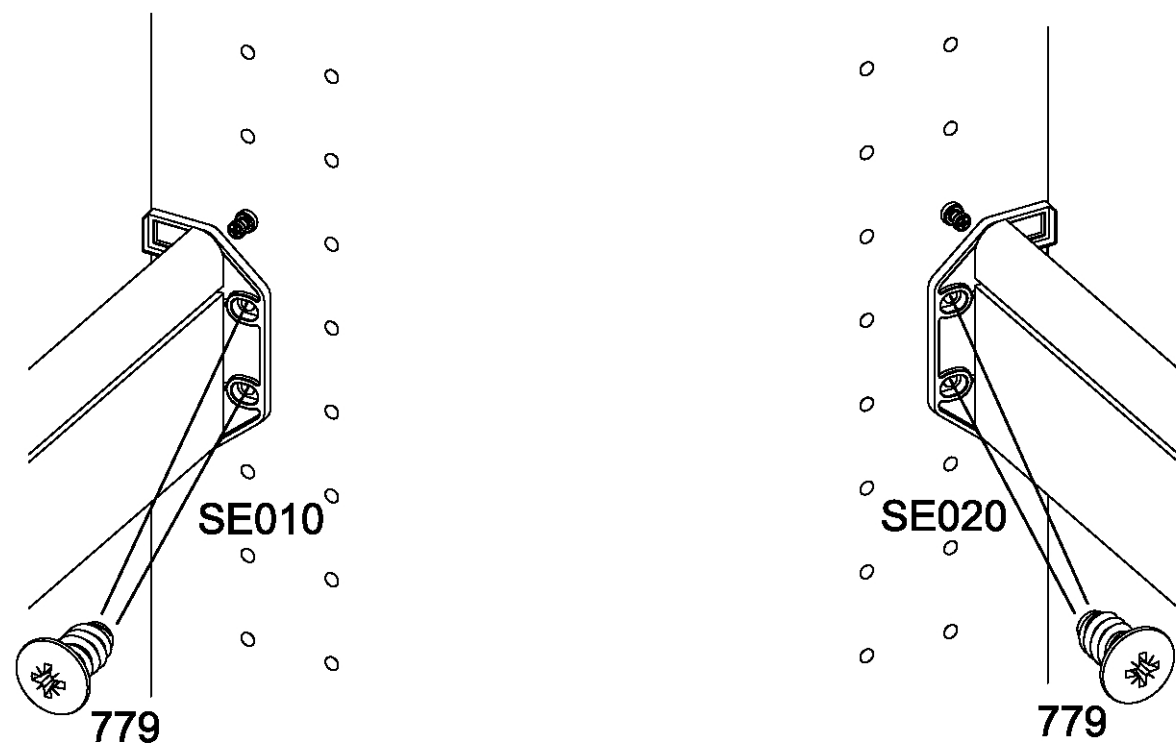
4x 6,5x12
779



1.

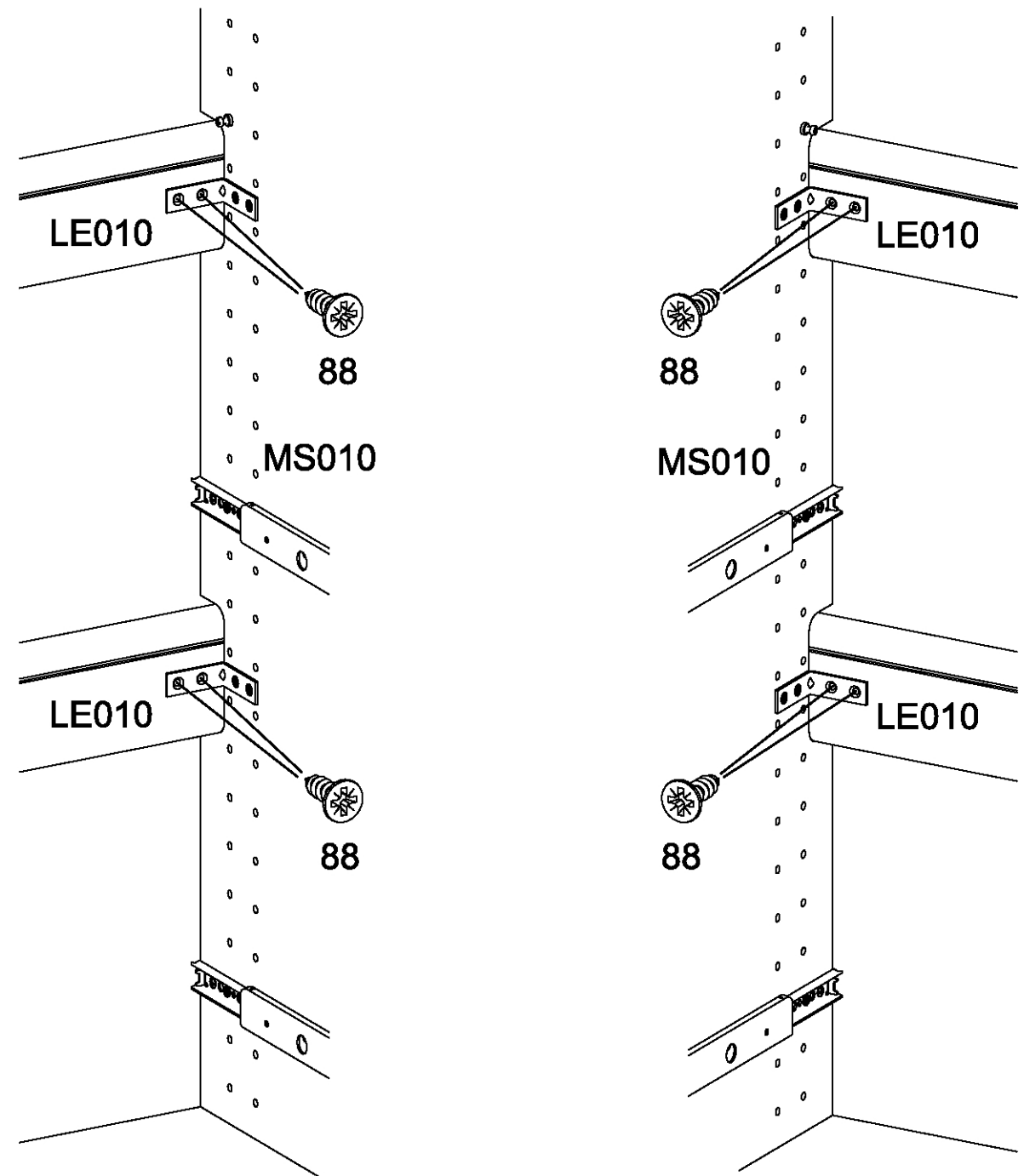
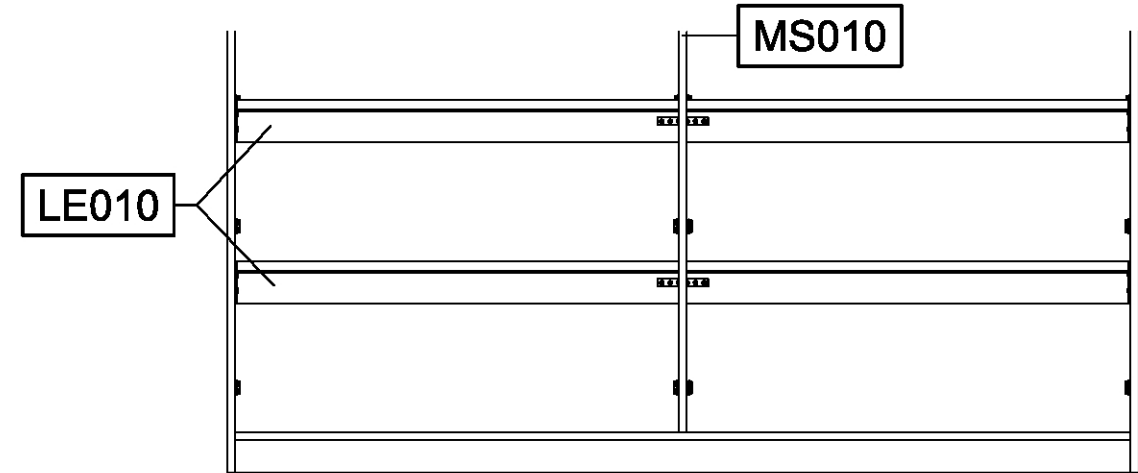
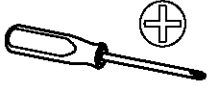


2.



25

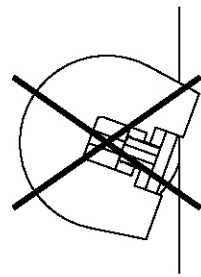
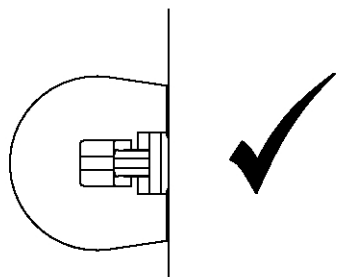
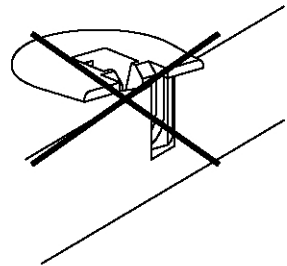
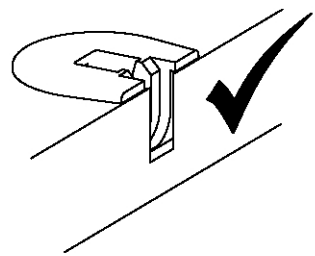
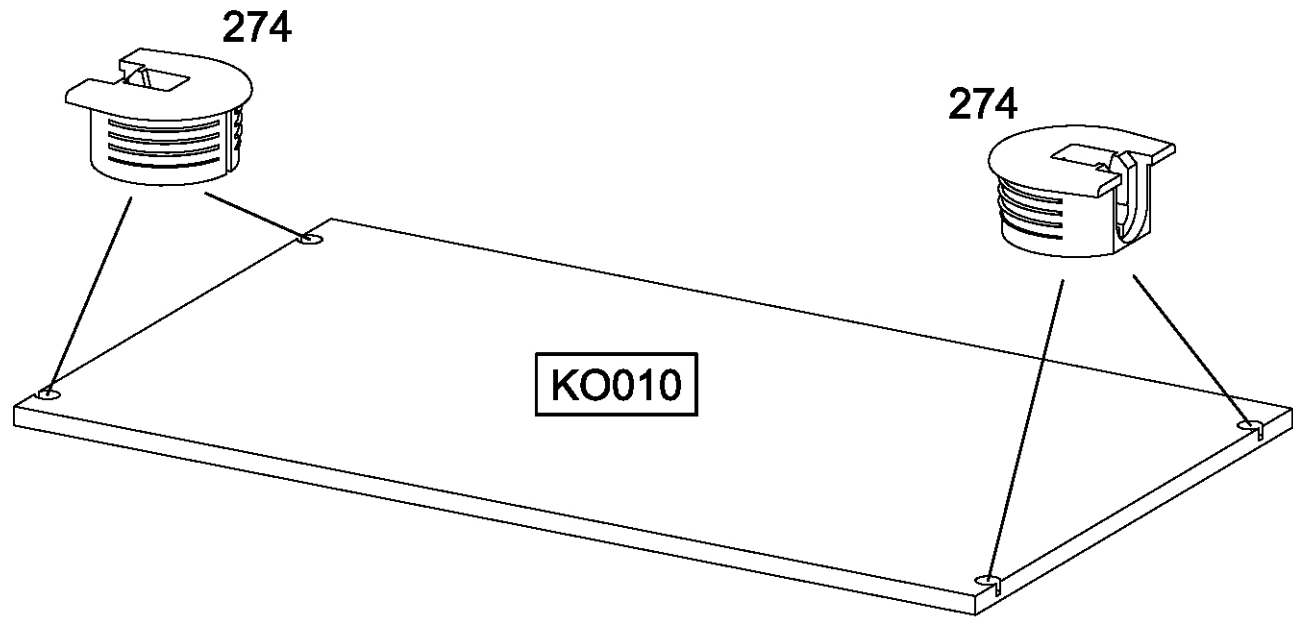
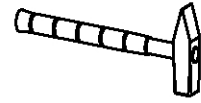
8x 3,5x12
88



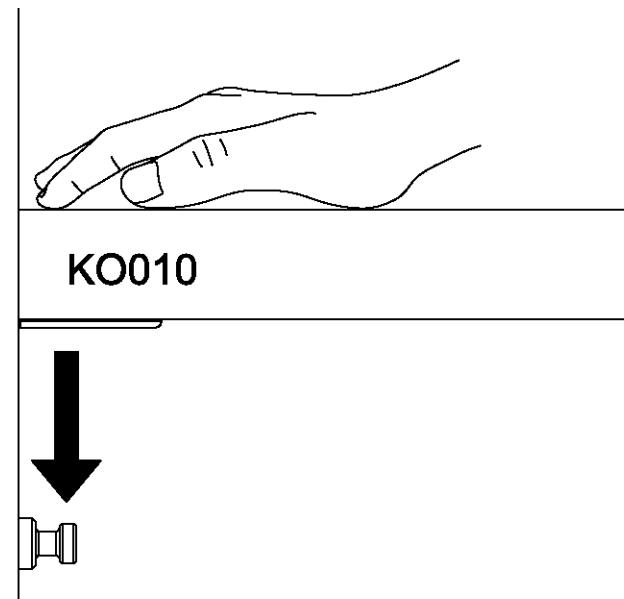
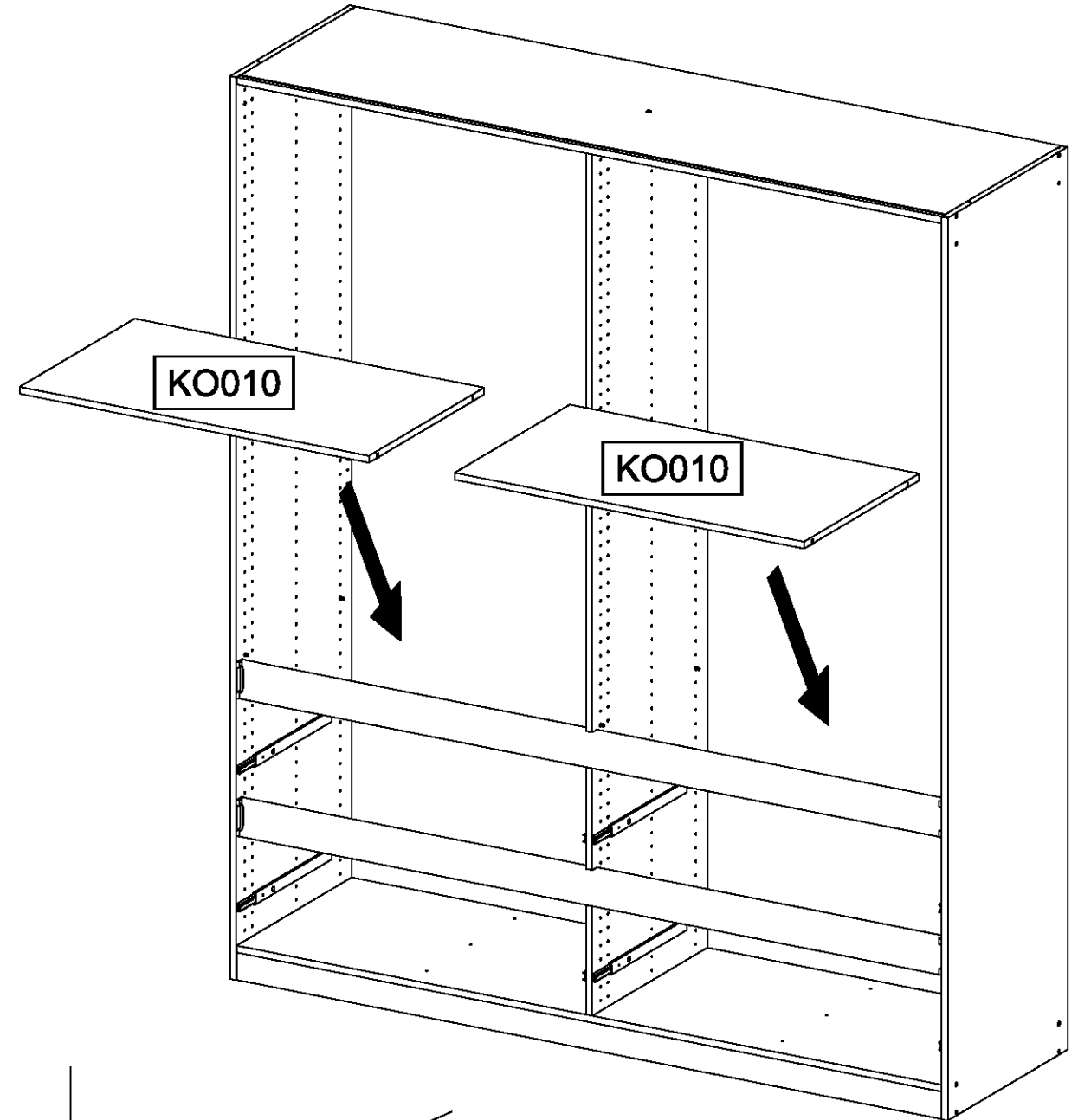
26

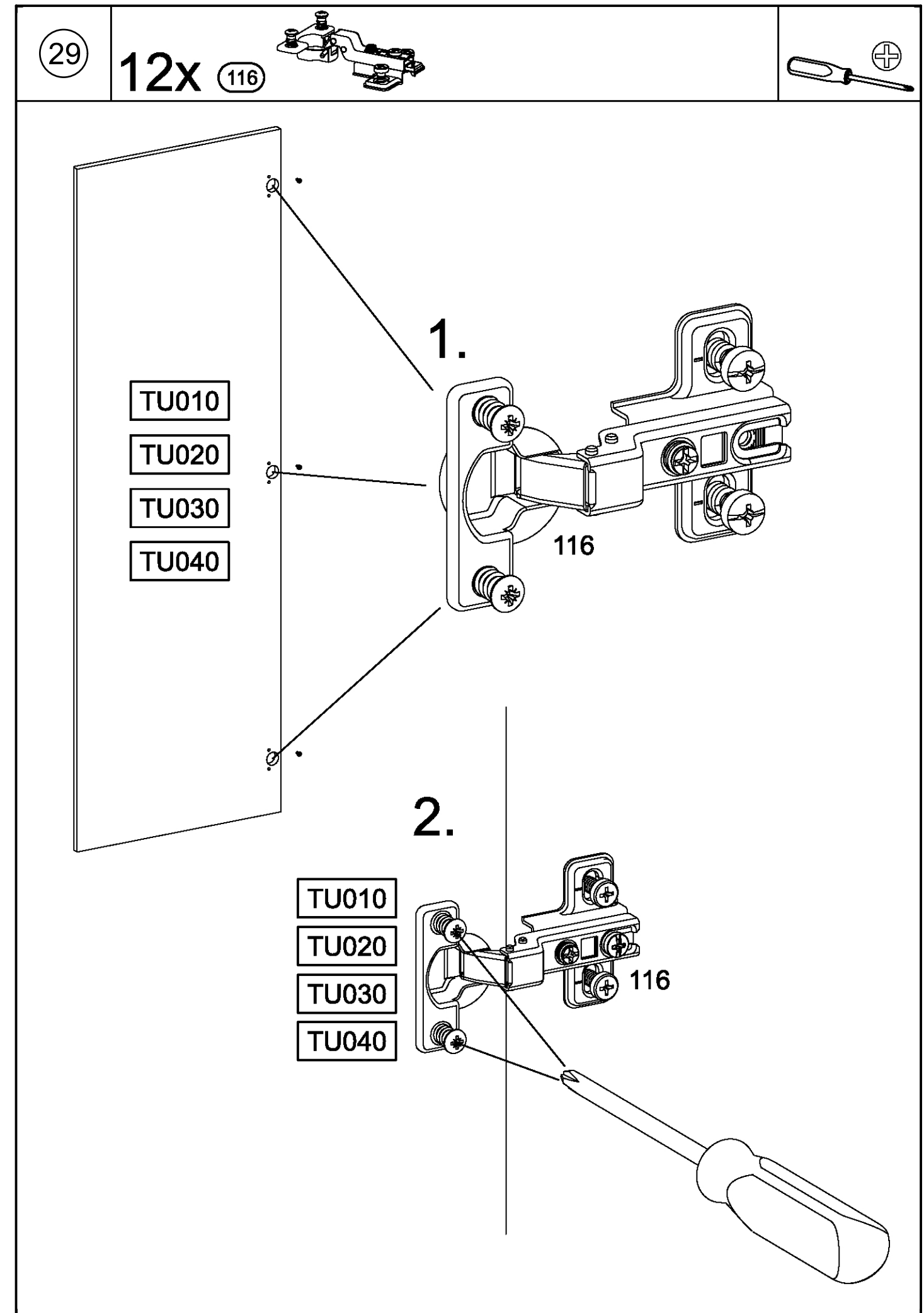
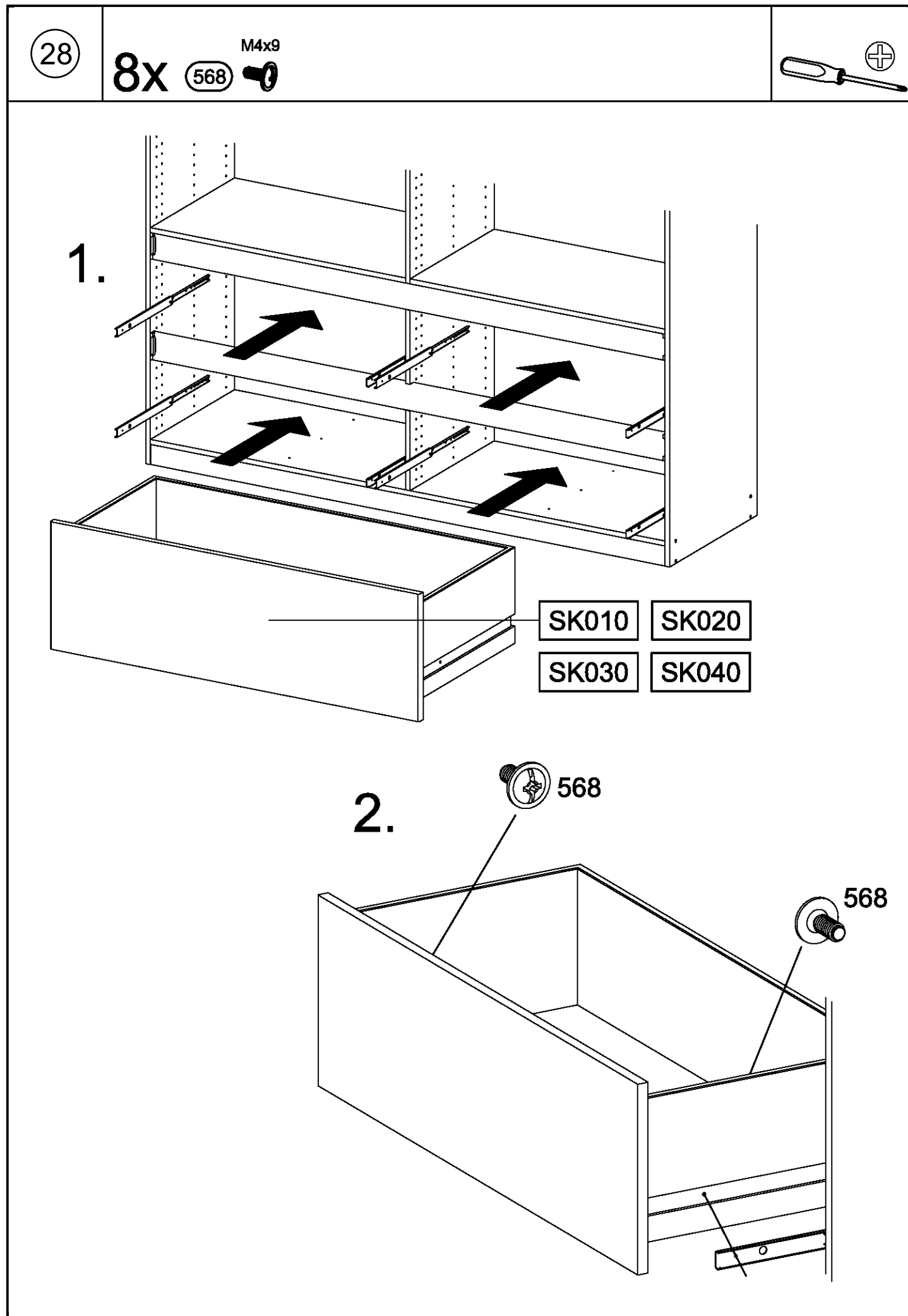
8x

274

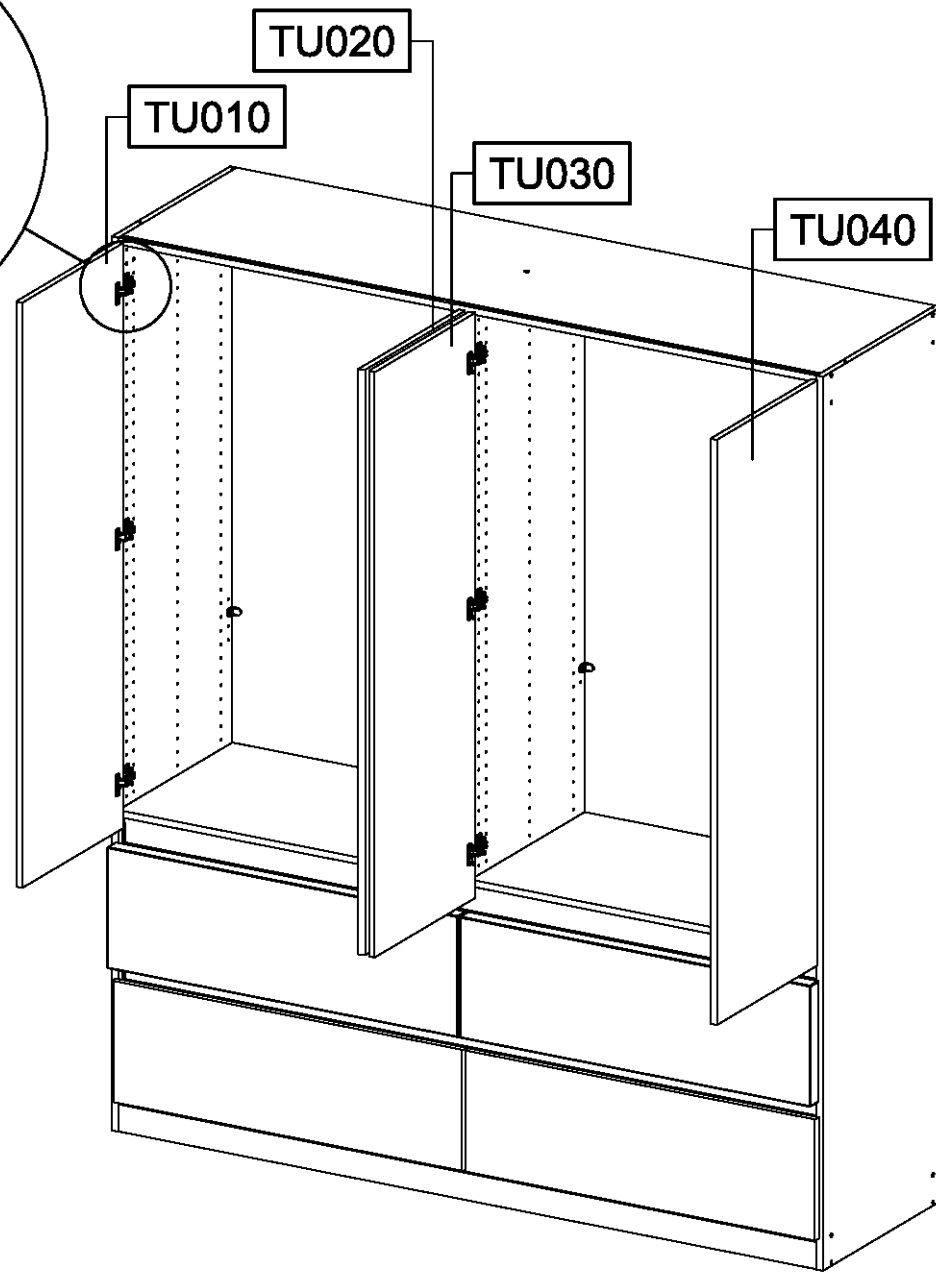
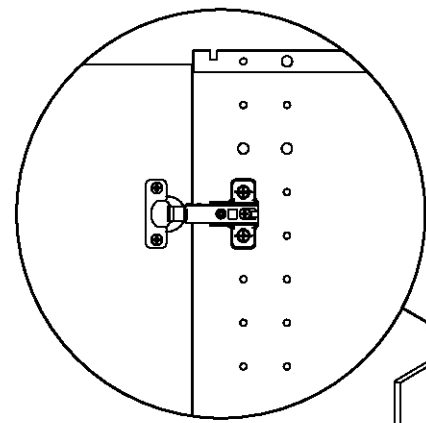
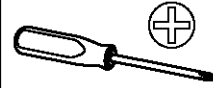


27

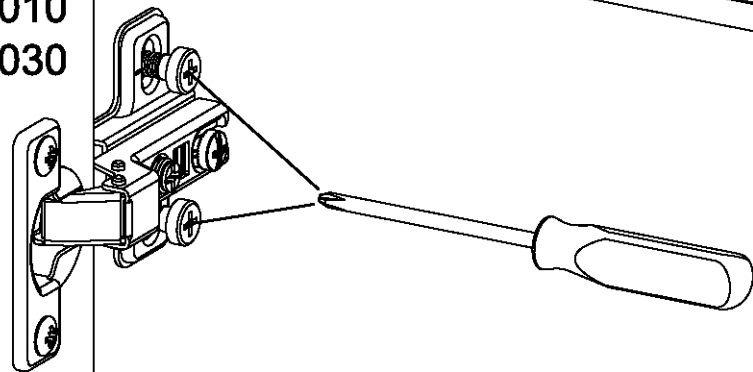




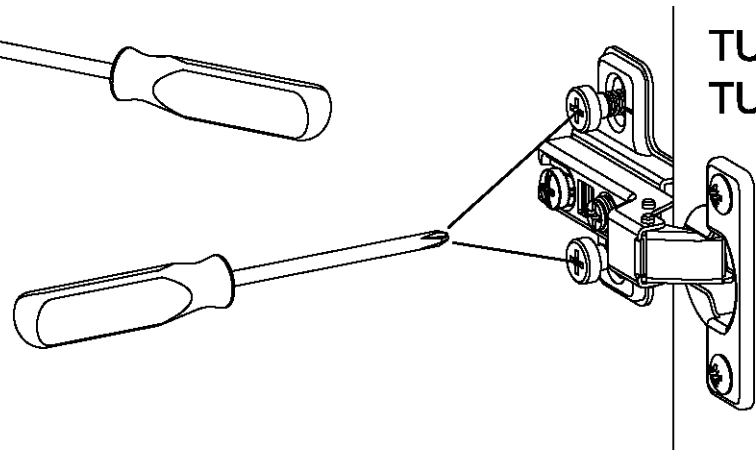
30



TU010
TU030



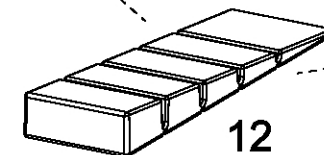
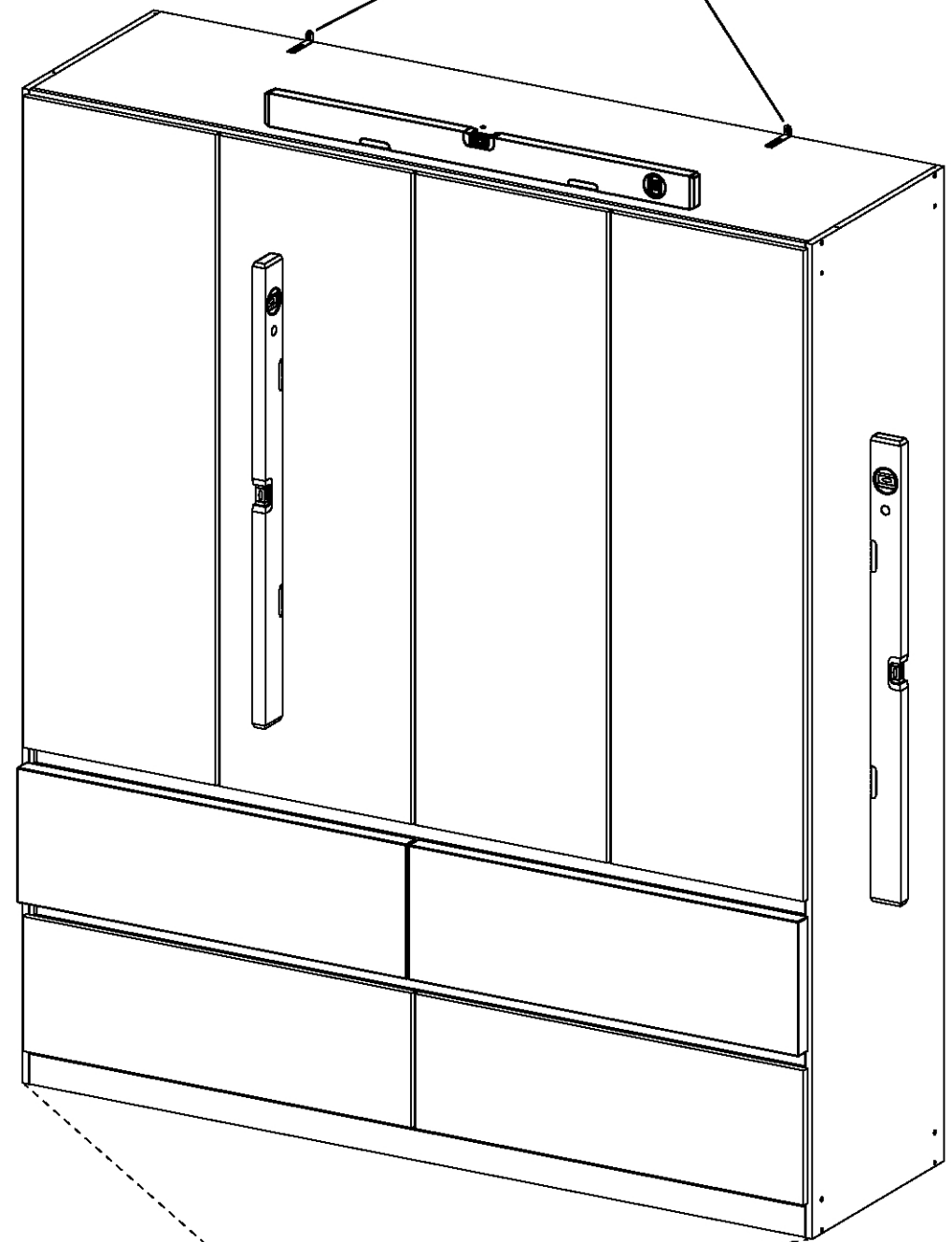
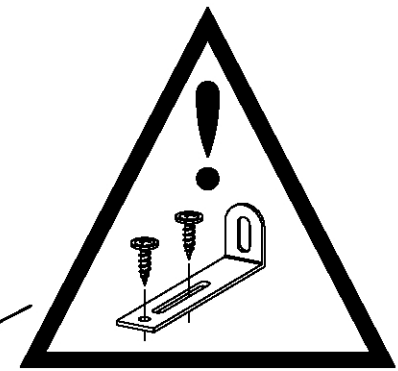
TU020
TU040



31

55x16x6,2

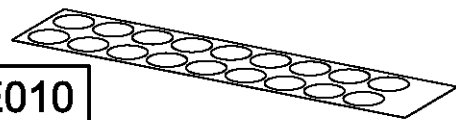
2x 12



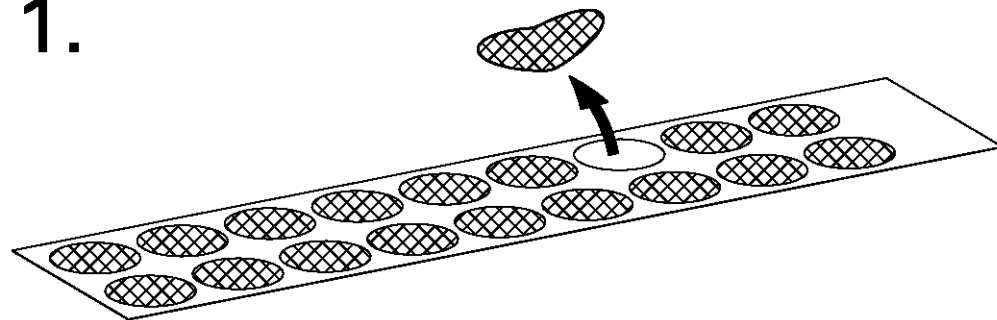
12

32

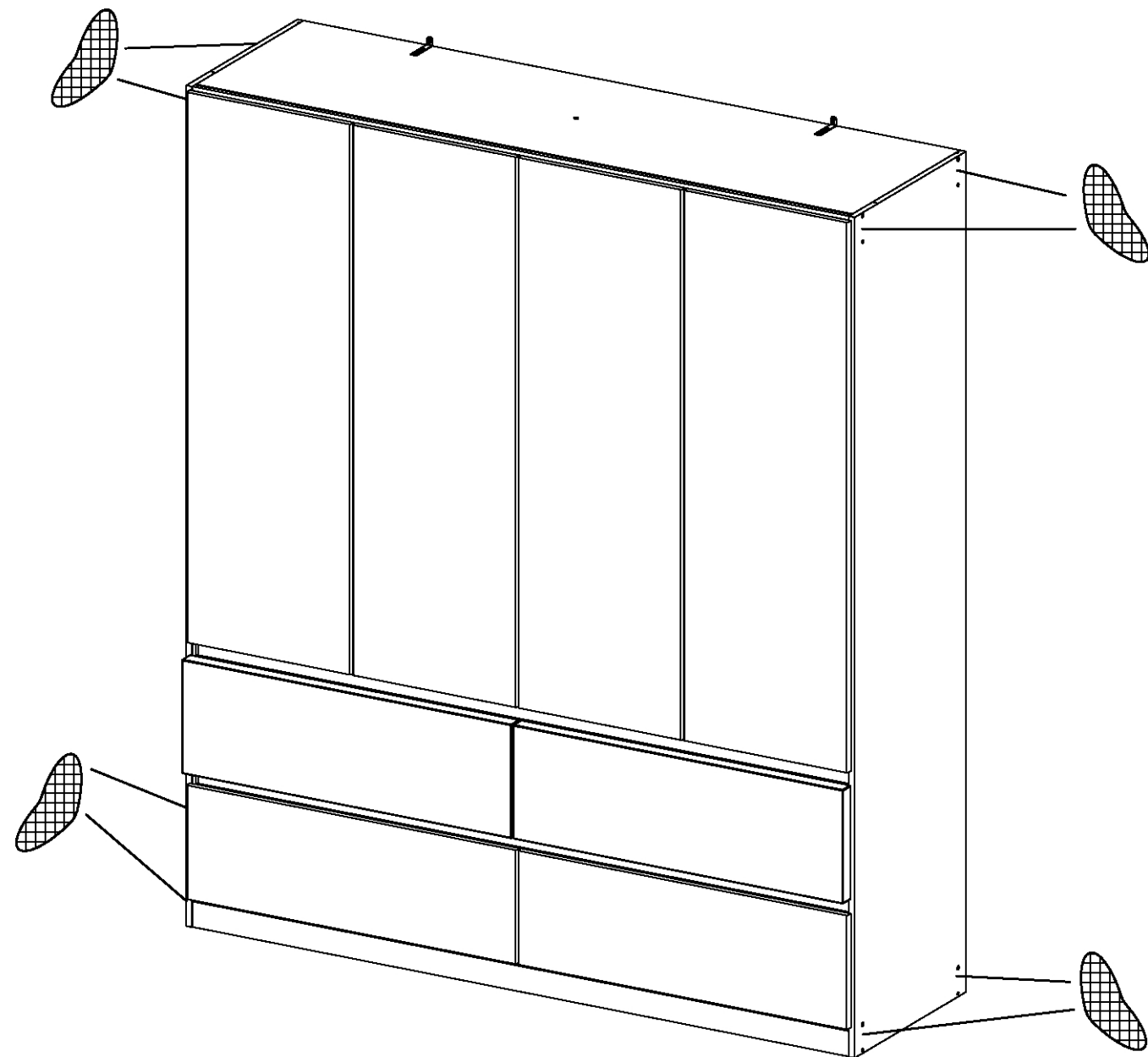
1x RE010



1.



2.



33

