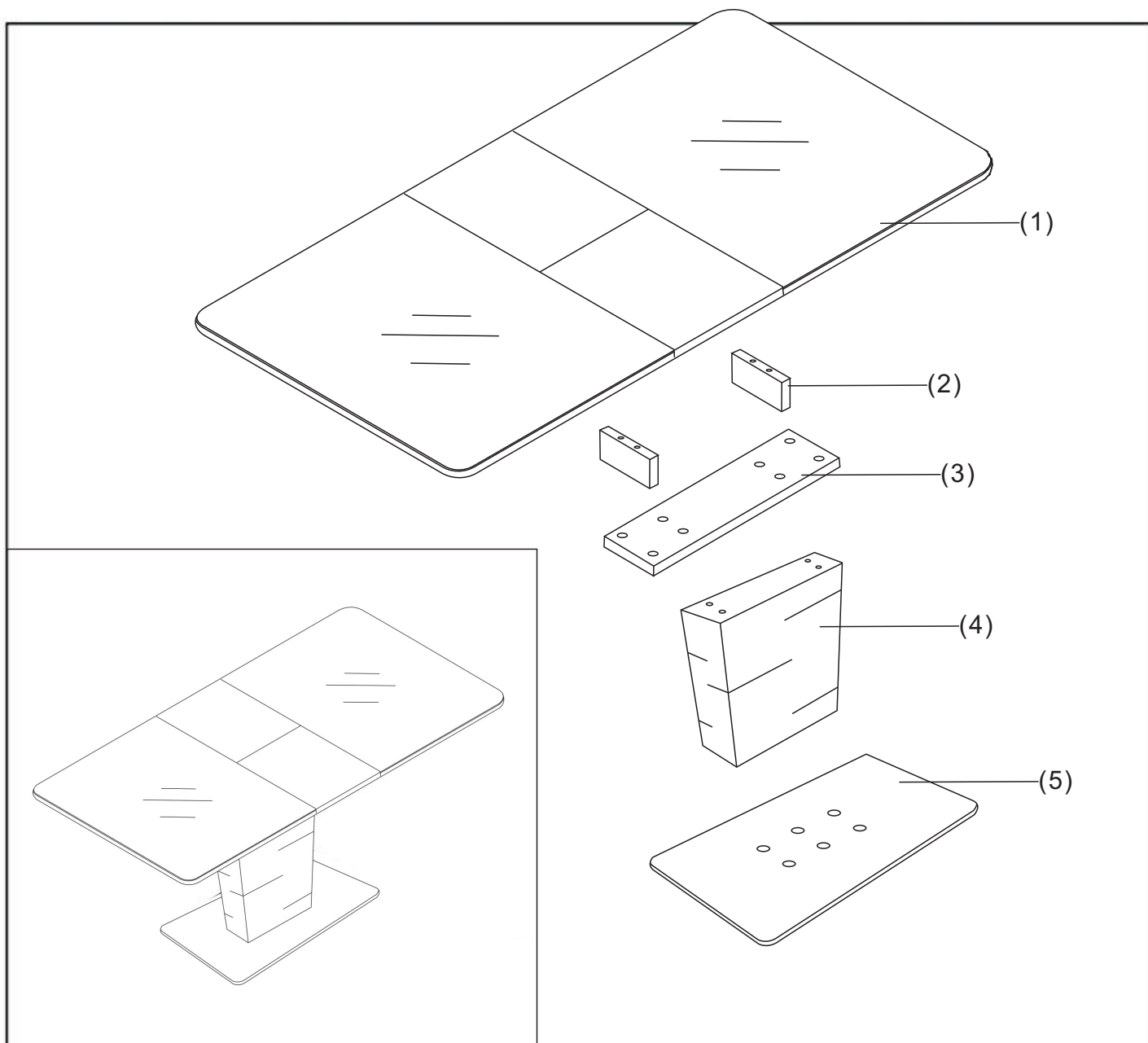
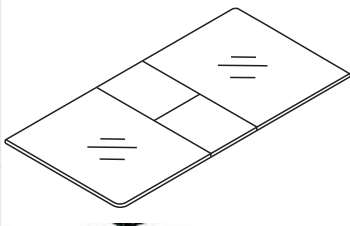

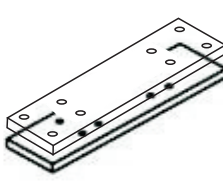
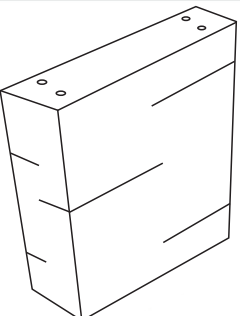
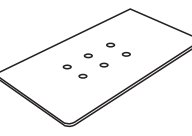


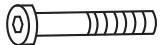

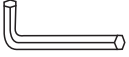


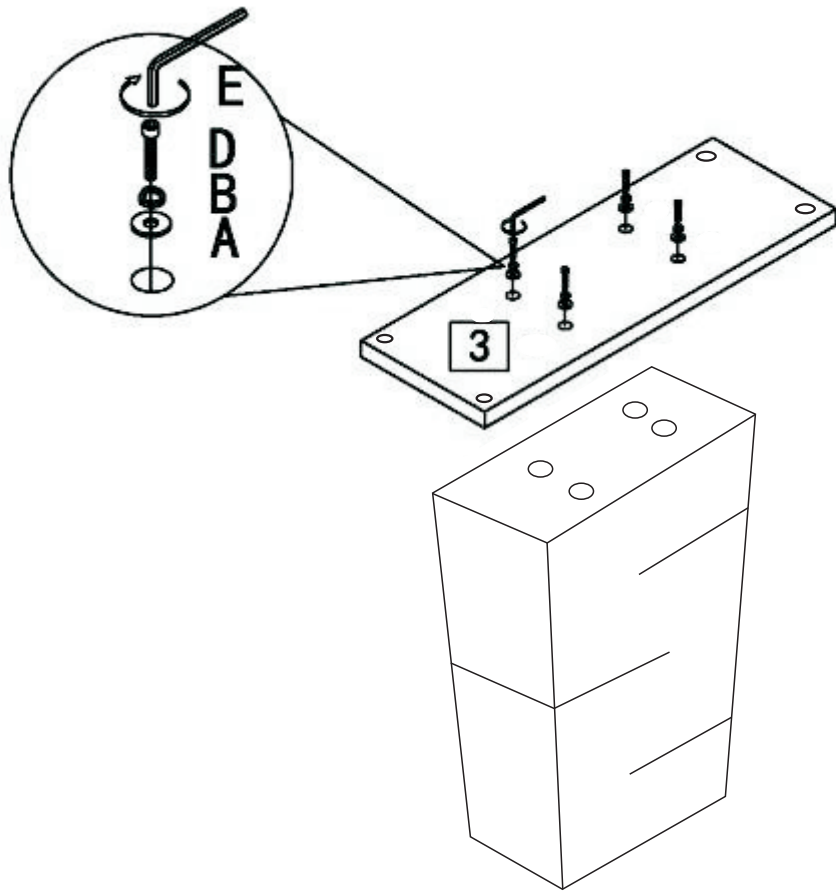


IMPORTANT - READ CAREFULLY - RETAIN FOR FUTURE REFERENCE
 WICHTIG - SORGFÄLTIG LESEN UND AUFBEWAHREN

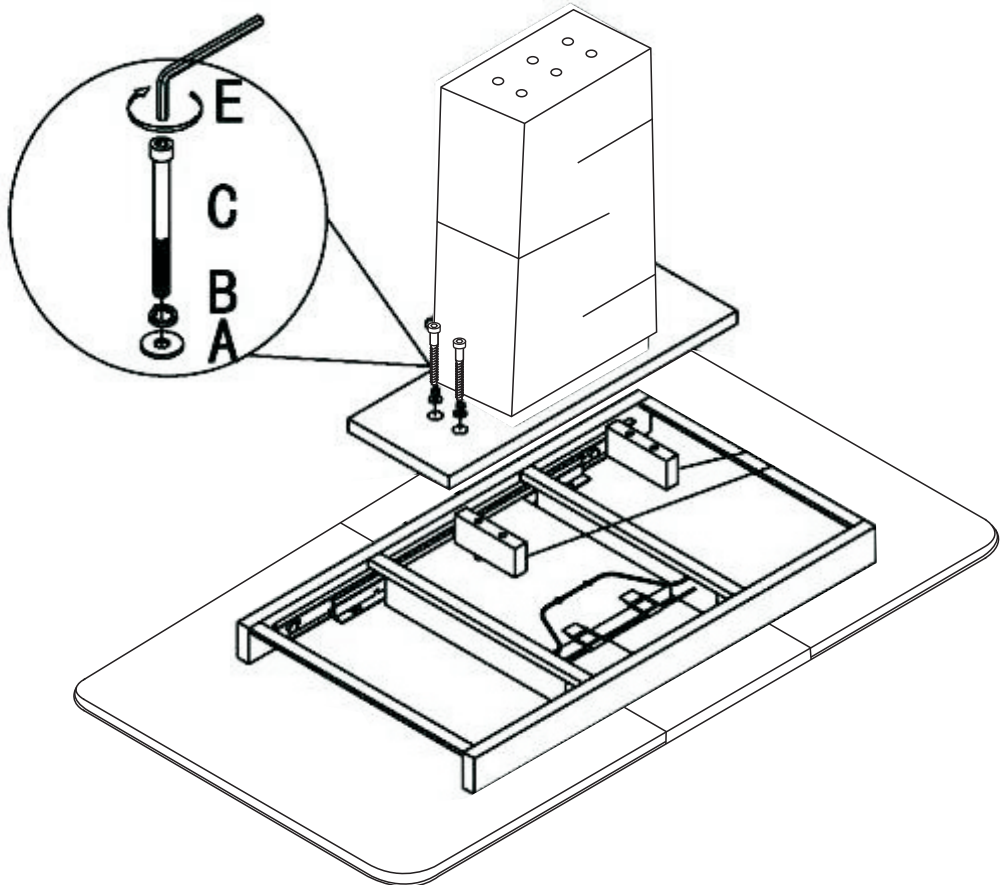


 <p>①x1</p>	 <p>②x2</p>	 <p>③x1</p>	 <p>④x1</p>	 <p>⑤x1</p>		
<p>A(Φ22x1.5mm)x8</p> 	<p>B(M8)x8</p> 	<p>C(M8x110)x4</p> 	<p>D(M8x40)x4</p> 	<p>E(M6)x1</p> 	<p>F(M8x30)x6</p> 	<p>G(M5)x1</p> 

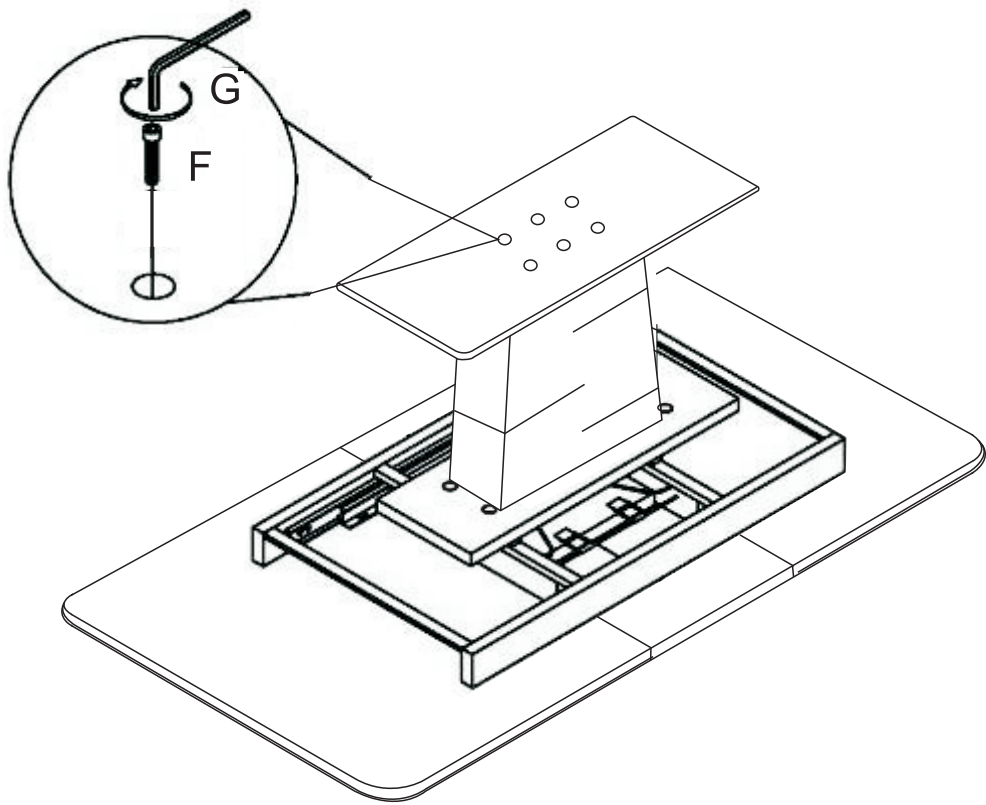
1



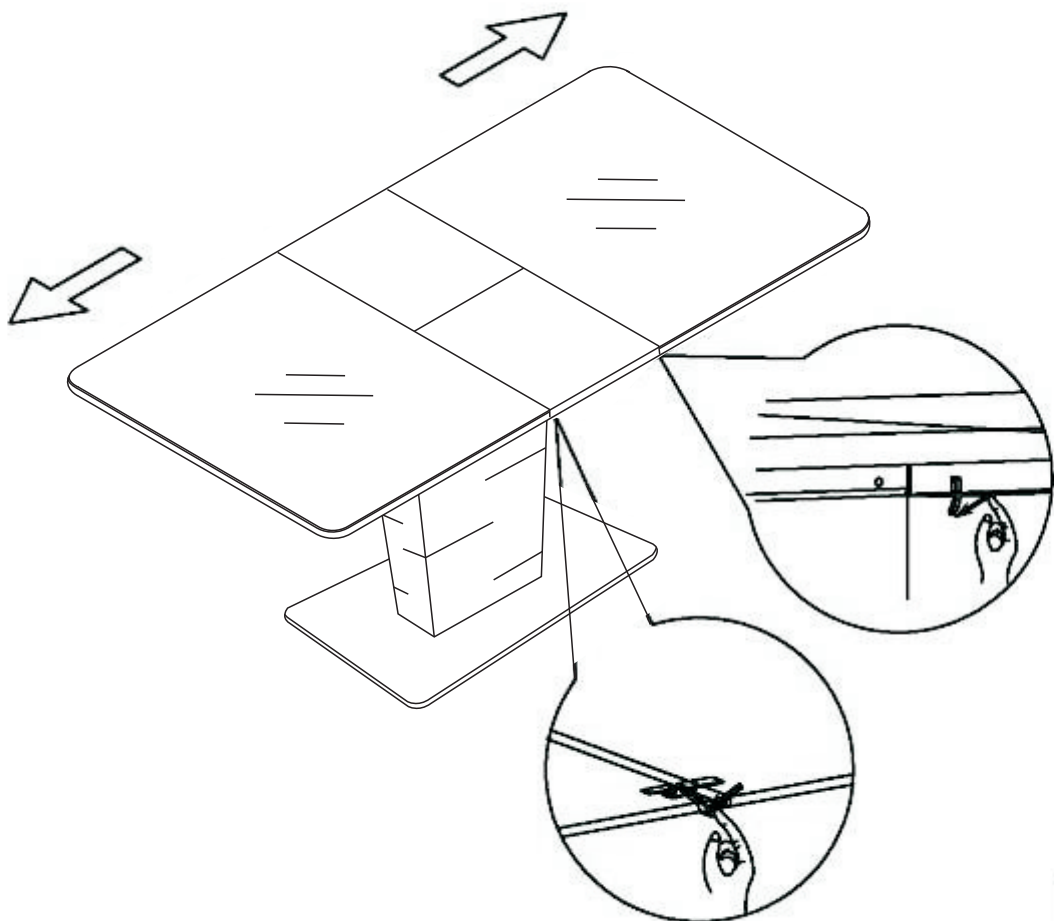
2



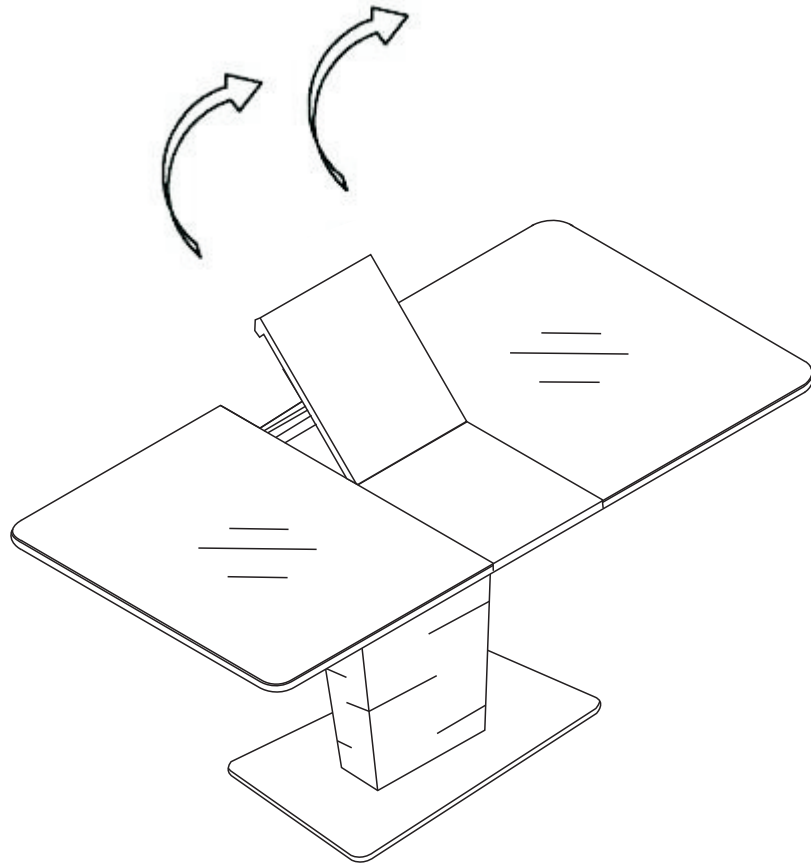
3



4



5



6

