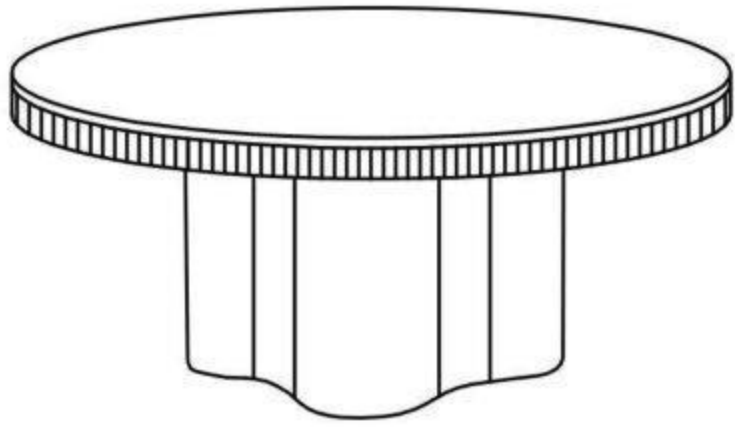

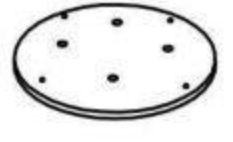






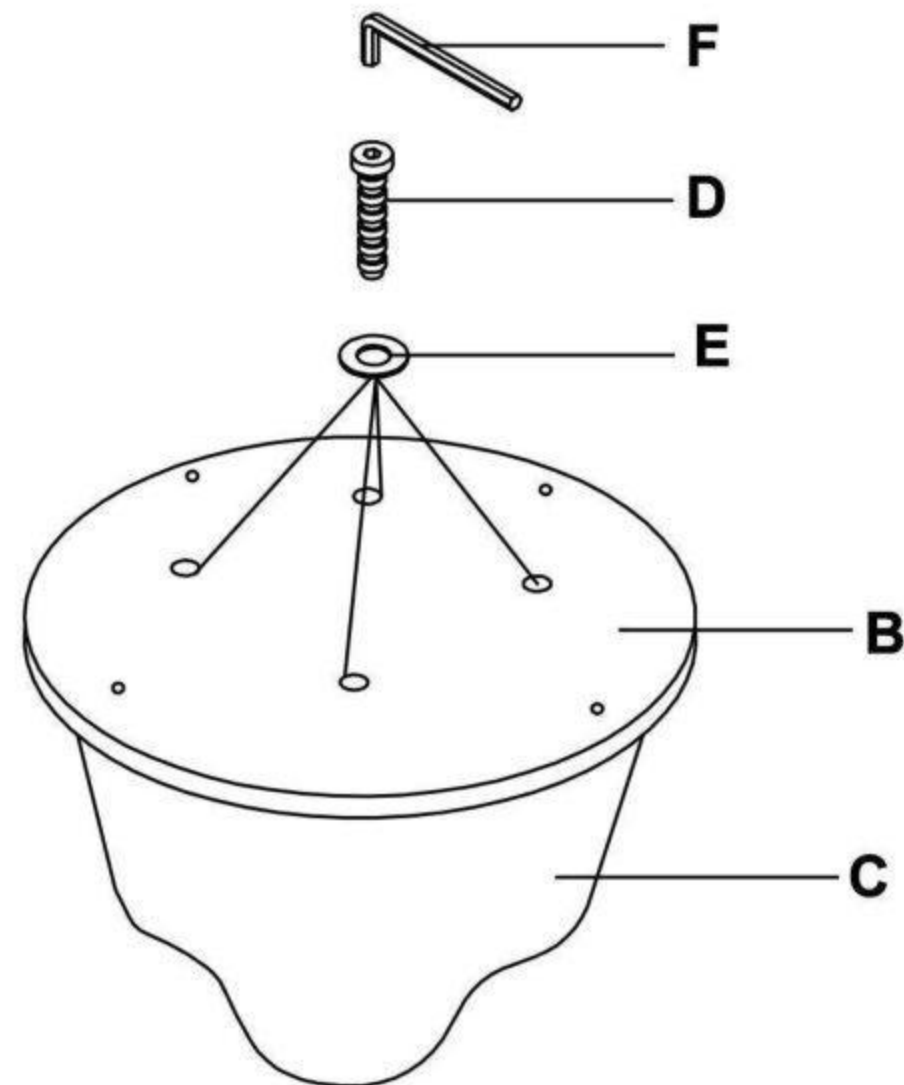
MAGNUM

 max. 20 kg



| | | |
|---|--|---|
| A 1  | B 1  | C 1  |
| D 8  8*25MM | E 8  8MM | F 1  M5 |

1



2

