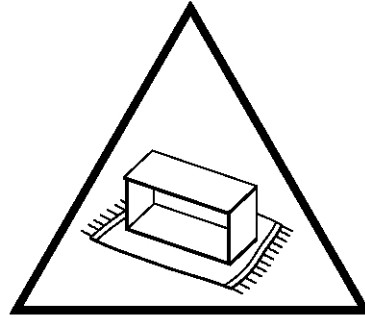
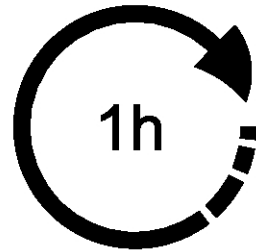
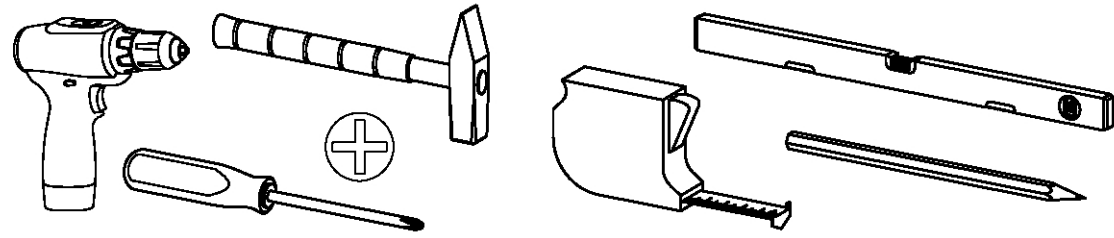


M2605\_01

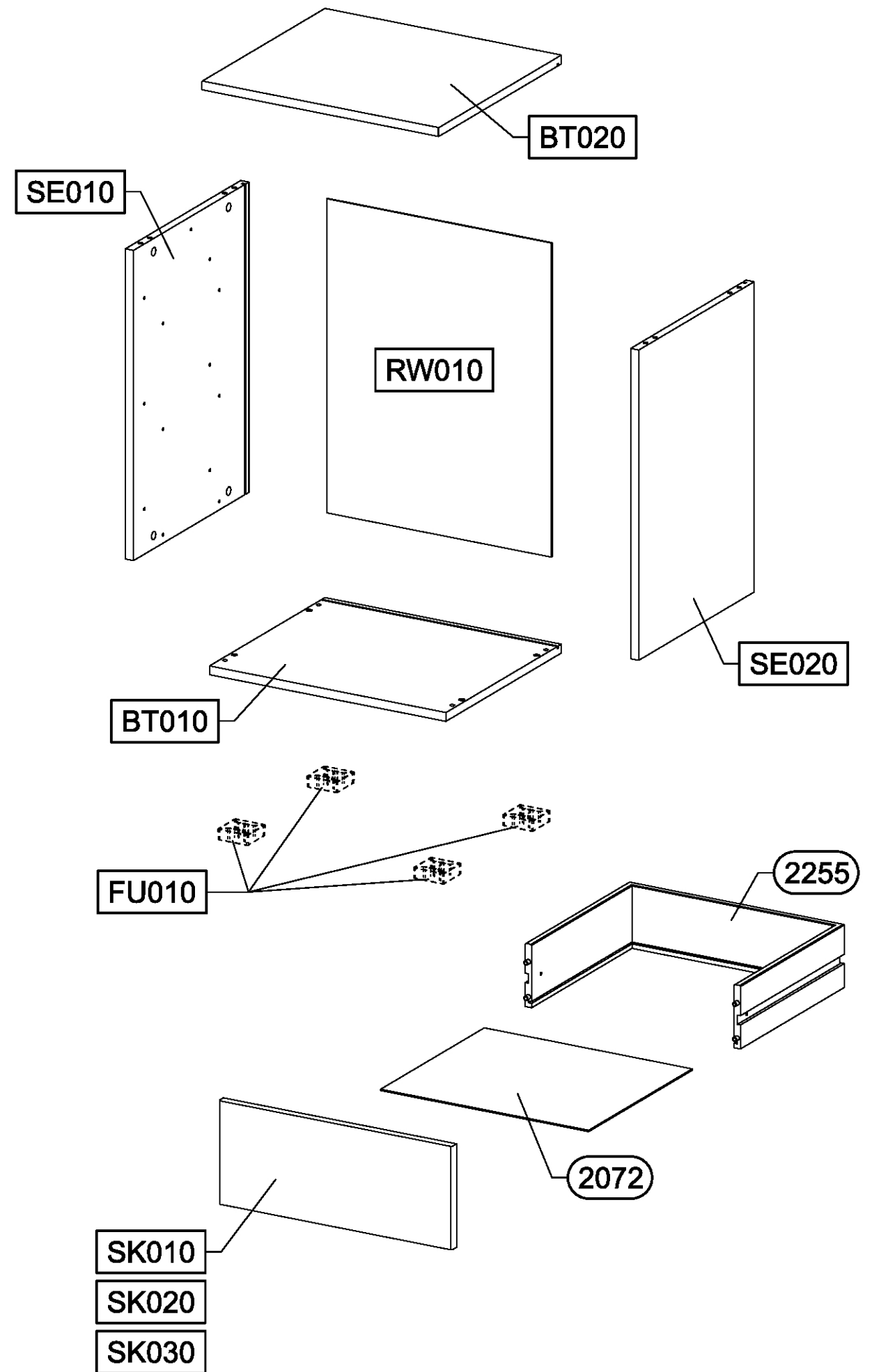
rauch



SK030

SK020

SK010



BT020

SE010

RW010

SE020

BT010

FU010

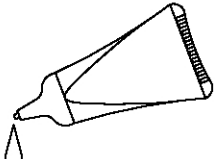
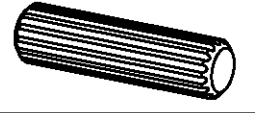



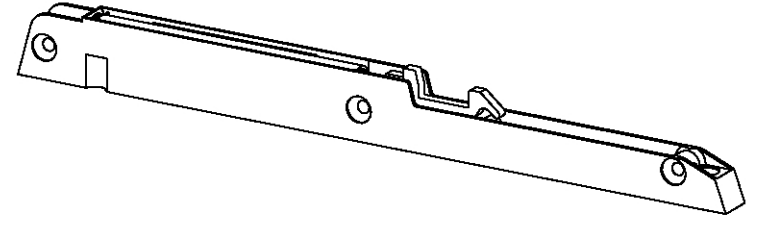



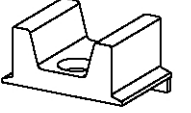
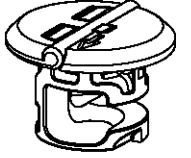
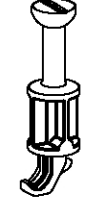
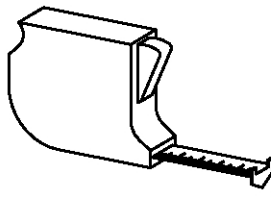
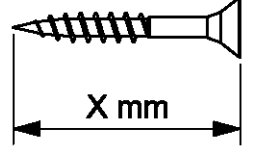
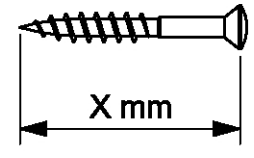
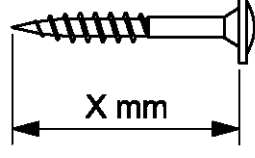
2255

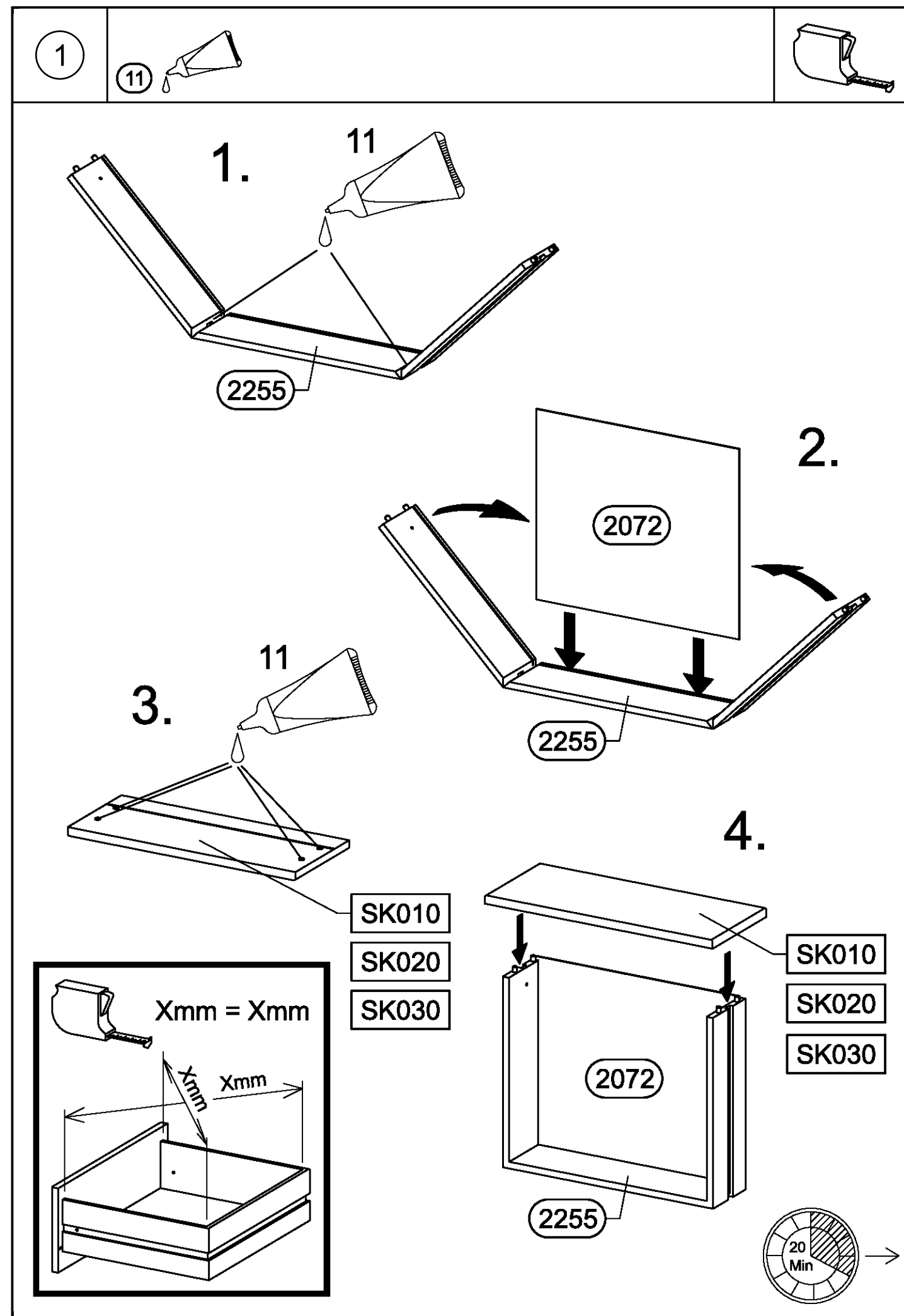
2072

SK010

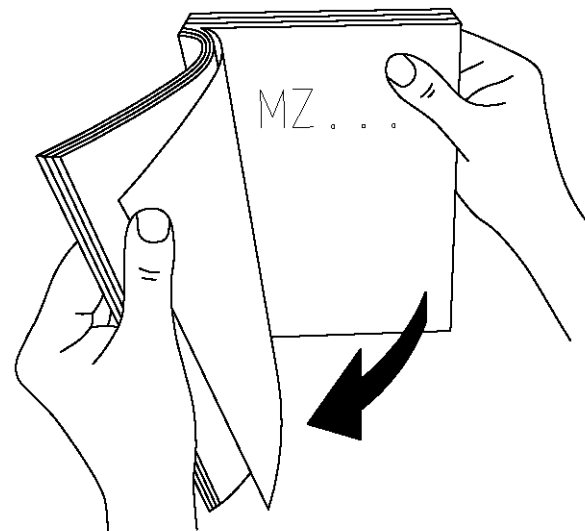
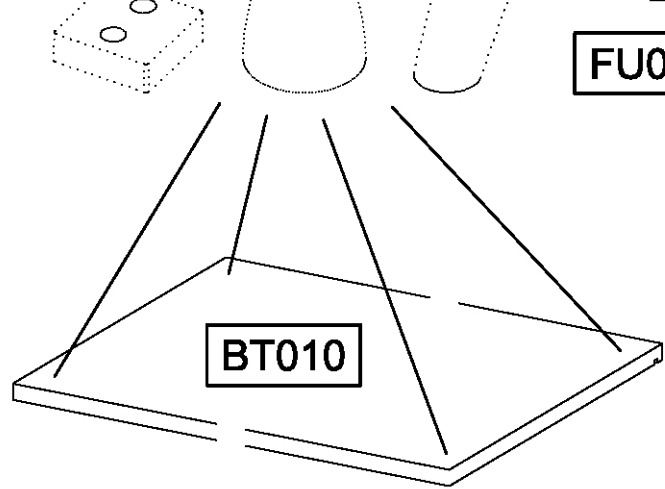
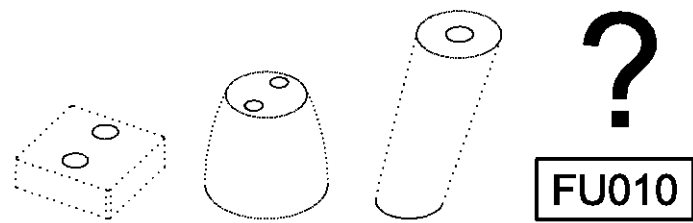
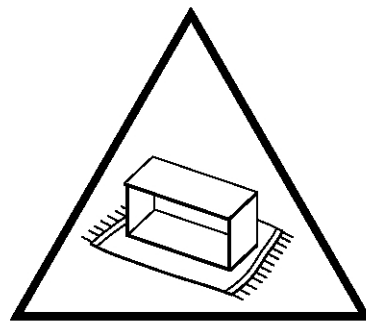
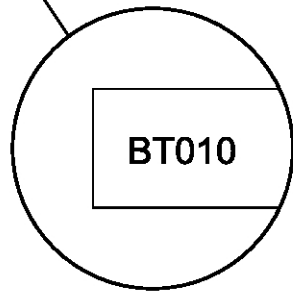
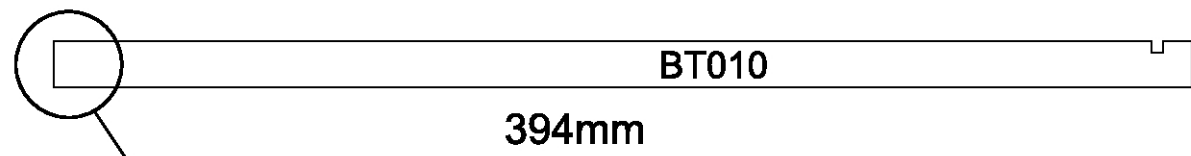
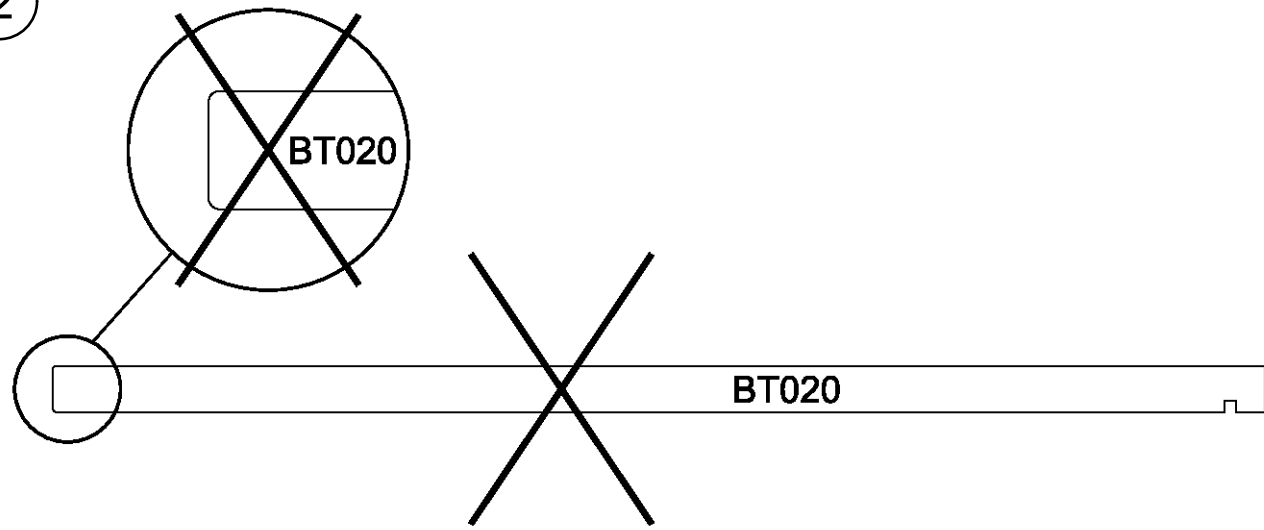
SK020

SK030

<b>11</b> 	<b>8x</b> <b>18</b> 	<b>12x</b> <b>227</b> 
<b>6x</b> <b>251</b> 		
<b>6x</b> <b>568</b> 	<b>6x</b> <b>1000</b> 	
<b>24x</b> <b>1002</b> 	<b>12x</b> <b>1003</b> 	<b>4x</b> <b>1090</b> 
<b>6x</b> <b>1187</b> 	<b>8x</b> <b>1188</b> 	<b>8x</b> <b>1189</b> 
   		

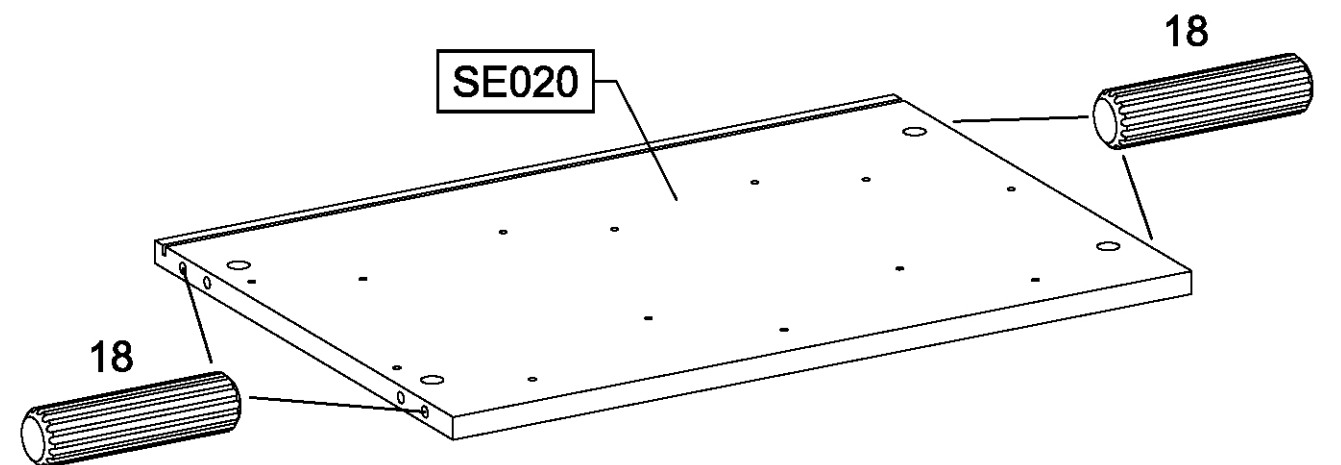
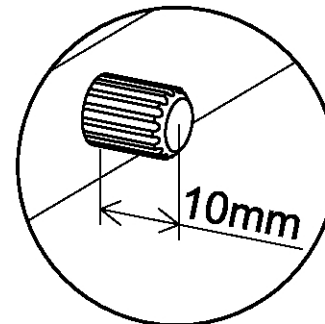
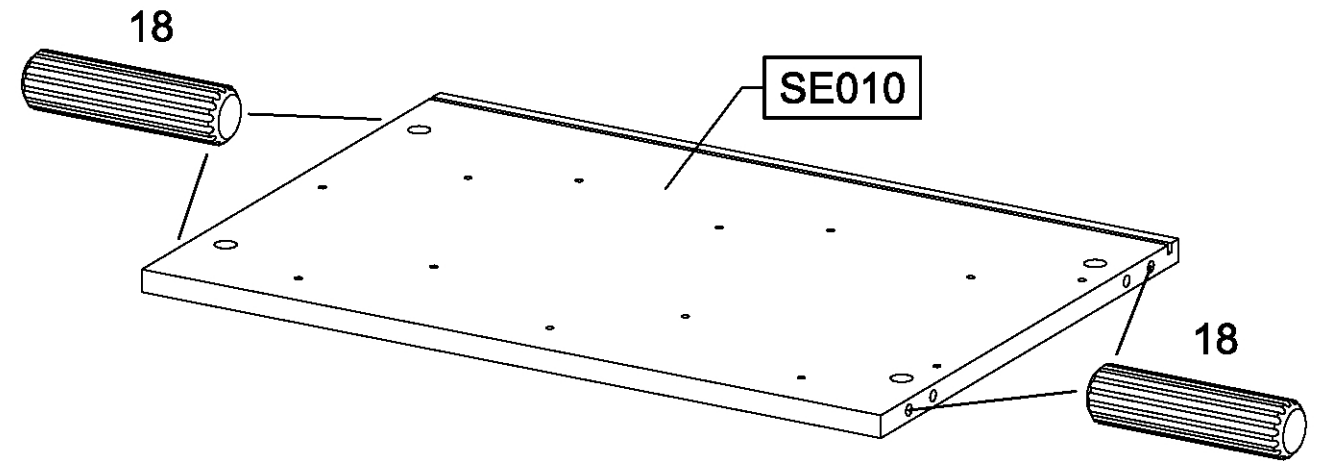
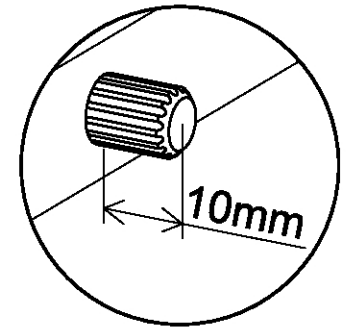


2



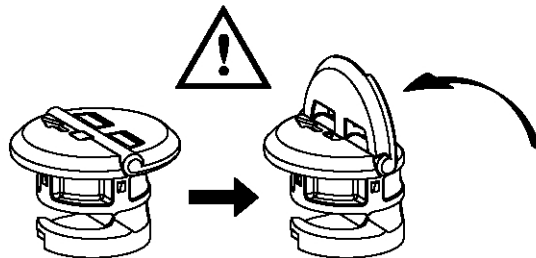
3

8x 18 8x30



4

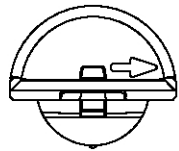
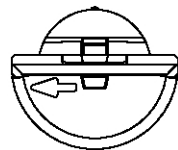
8x 1188



1188

1188

SE010



1188

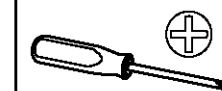
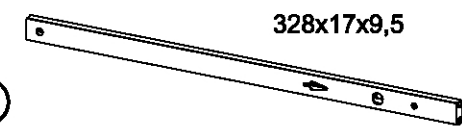
1188

SE020

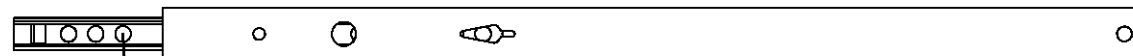
5

6x 227 6x10,5

3x 251

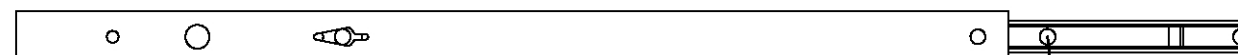


251



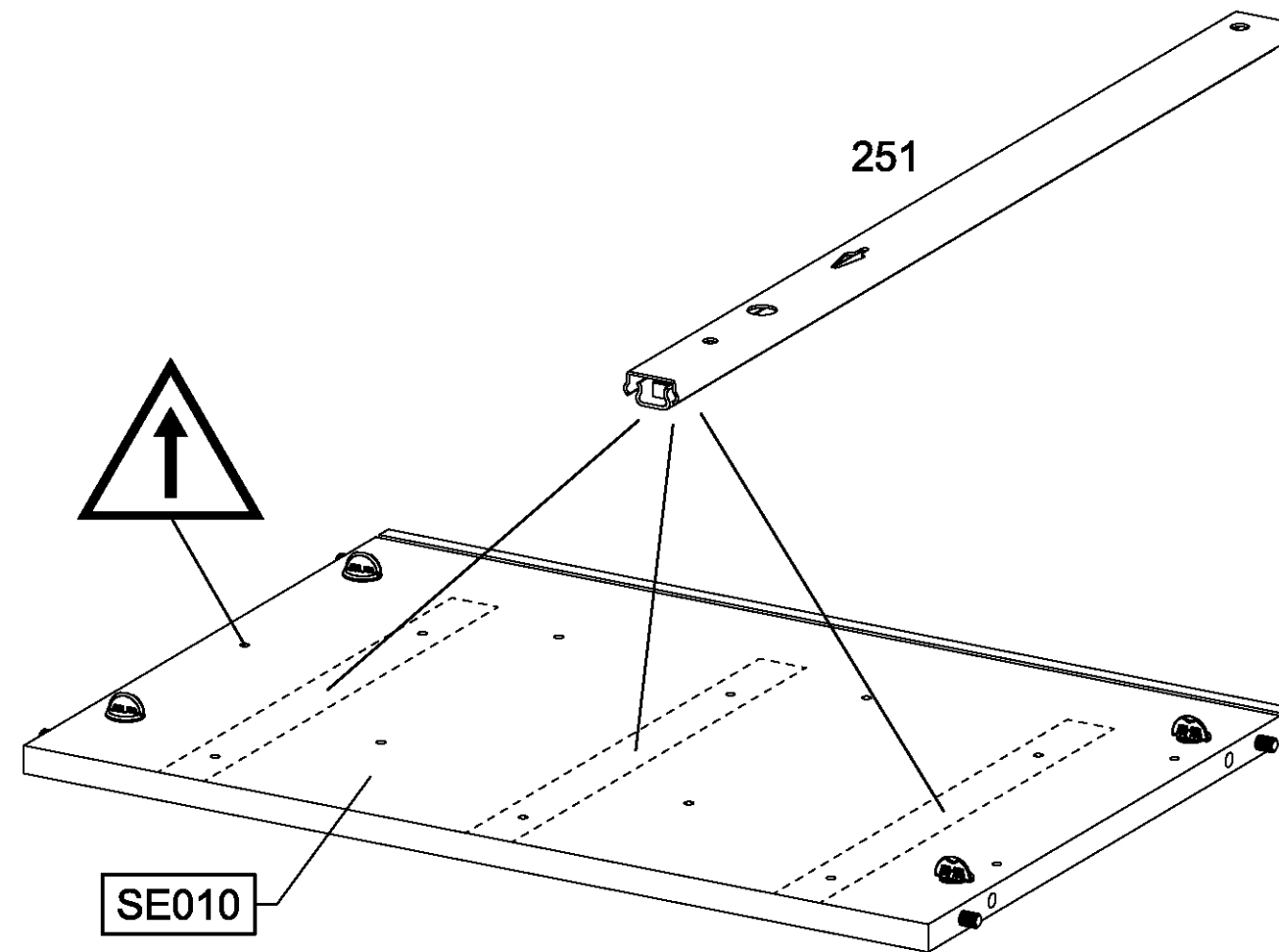
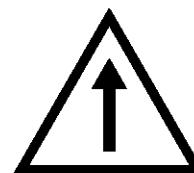
1. 227

251



2. 227

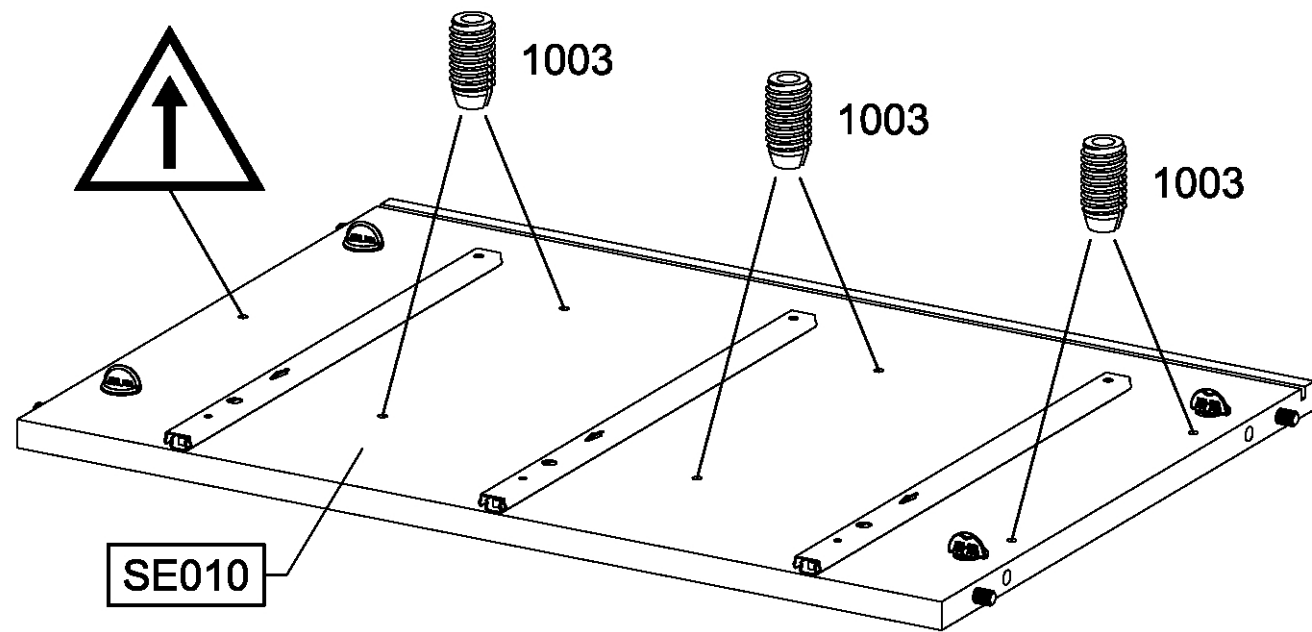
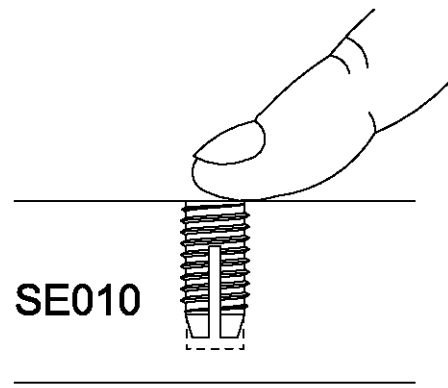
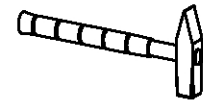
251



SE010

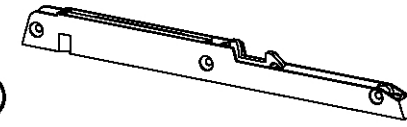
6

6x 1003 6x12

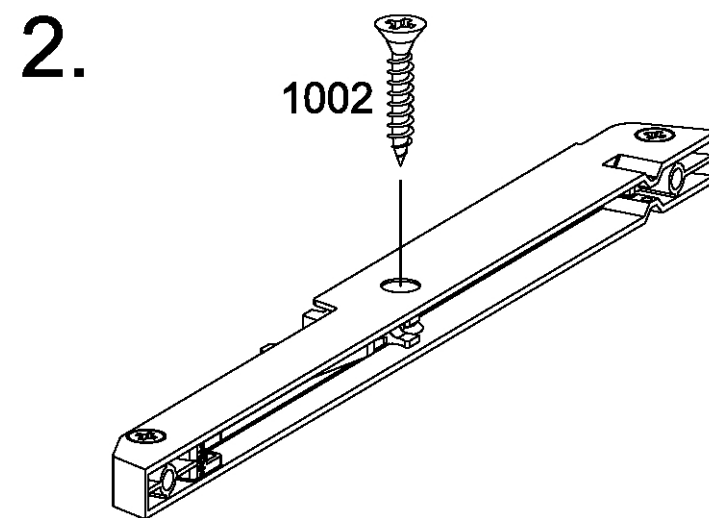
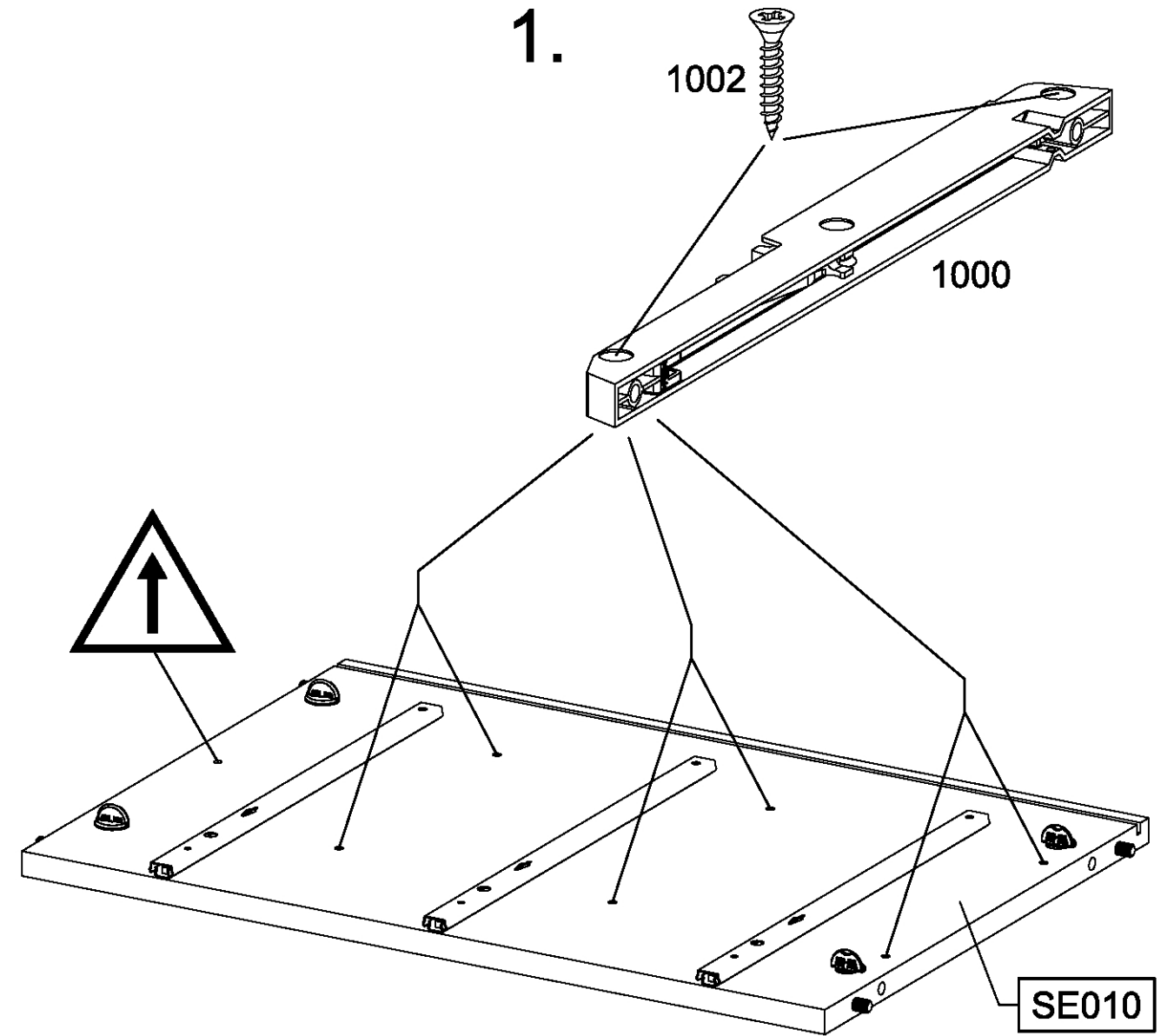
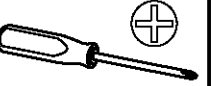


7

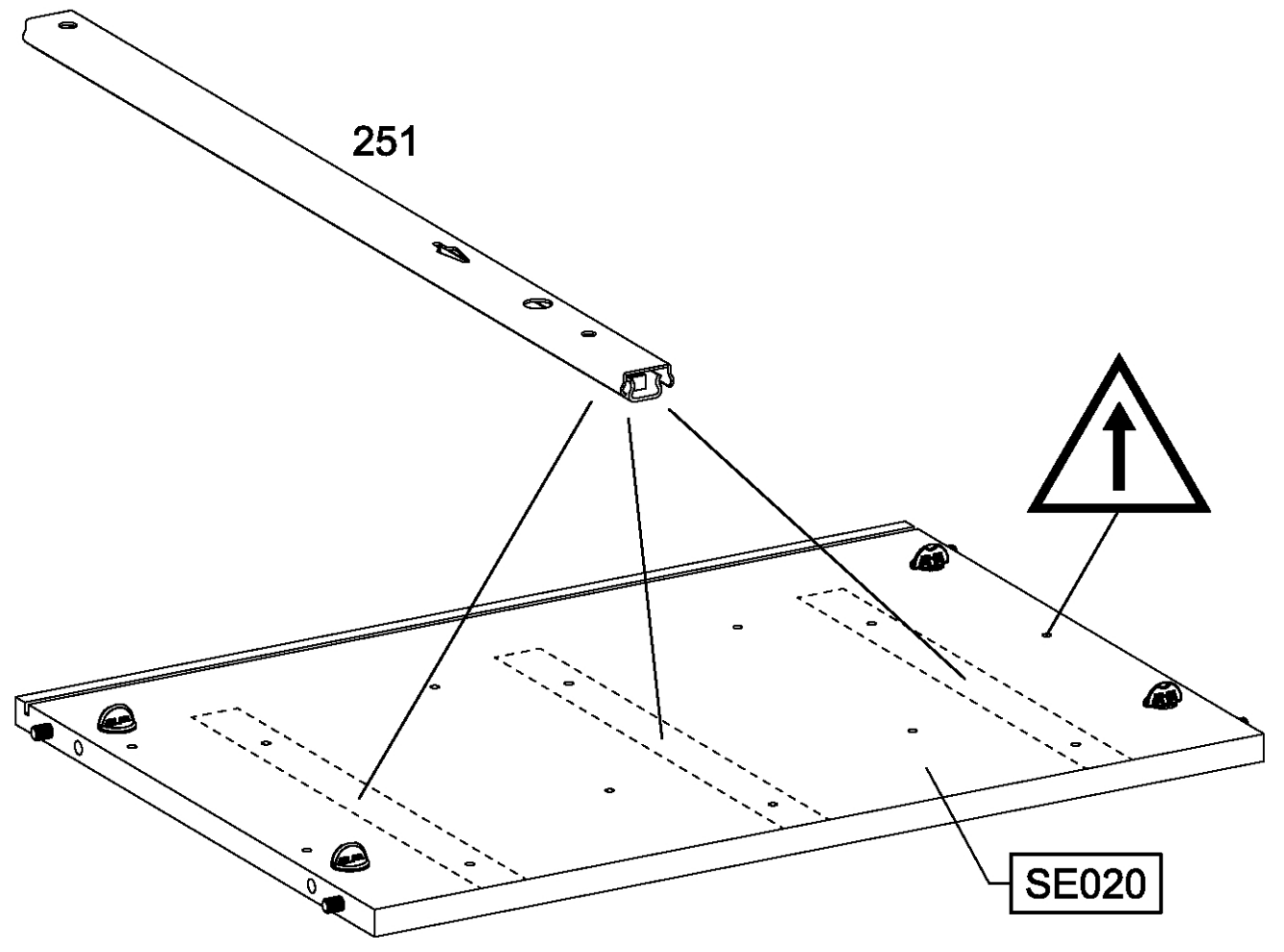
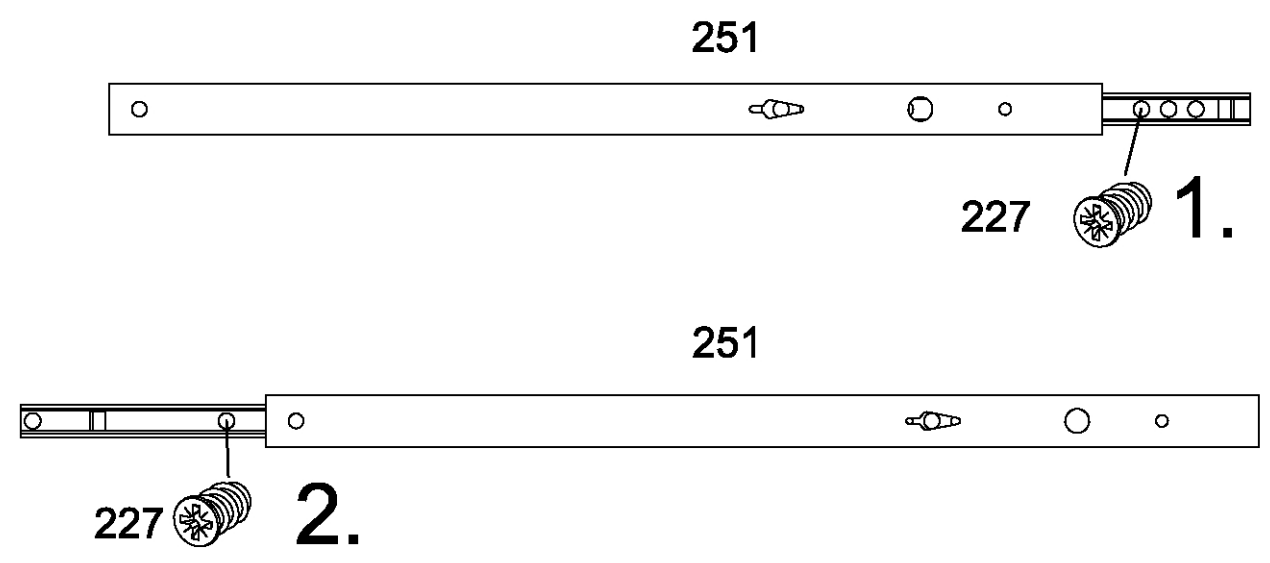
3x 1000



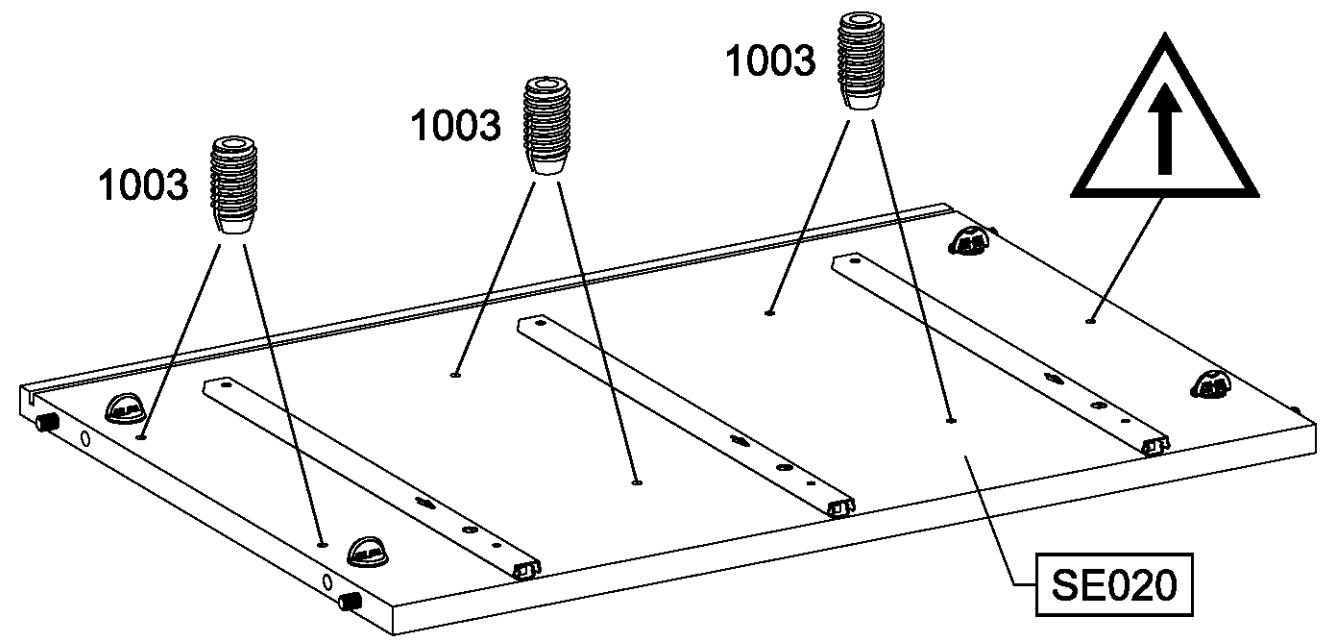
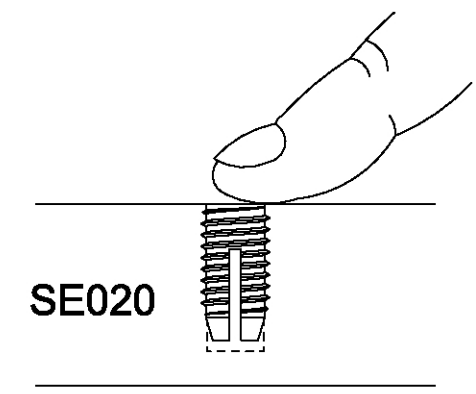
9x 1002 3,5x20



8 **6x** 227 <sup>6x10,5</sup> **3x** 251 <sup>328x17x9,5</sup>

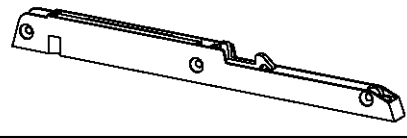


9 **6x** 1003 <sup>6x12</sup>



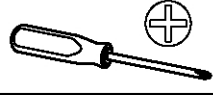
10

3x 1000

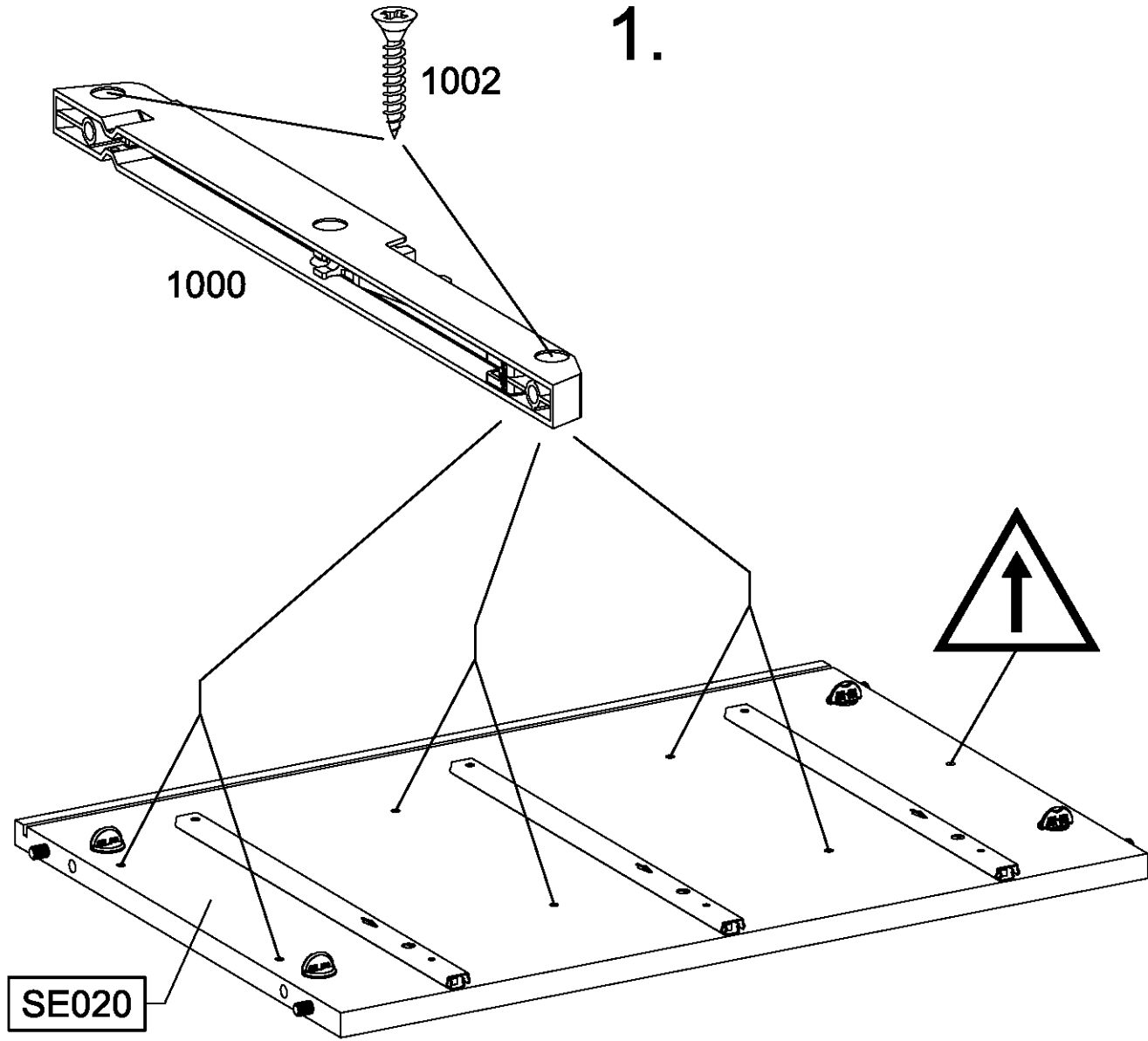


9x 1002

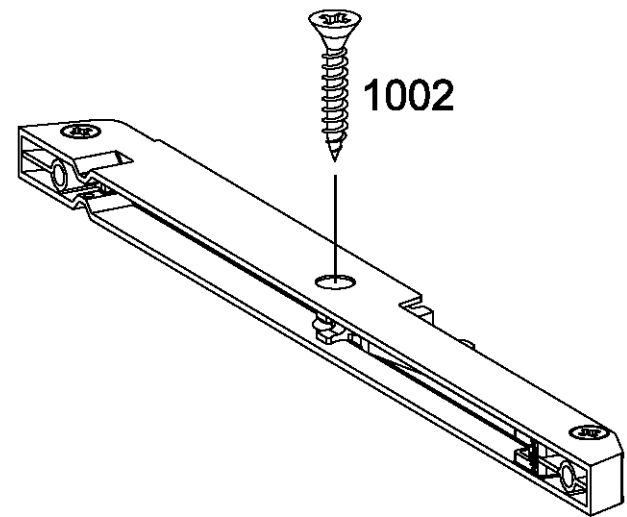
3,5x20



1.

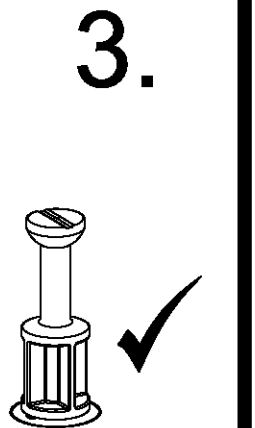
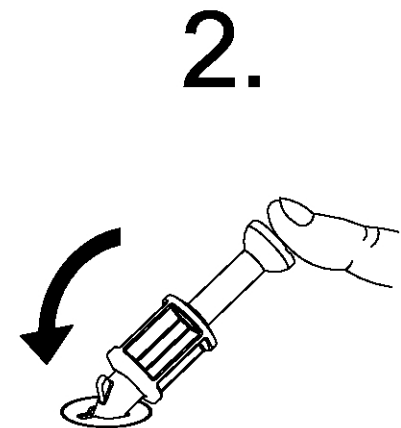
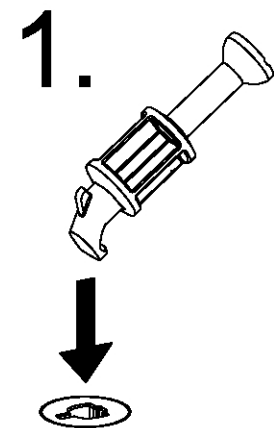
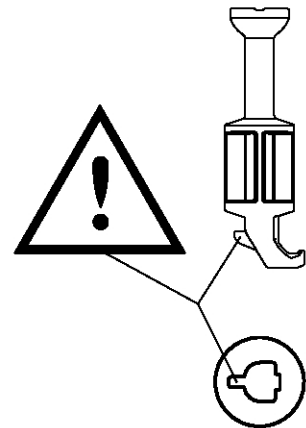
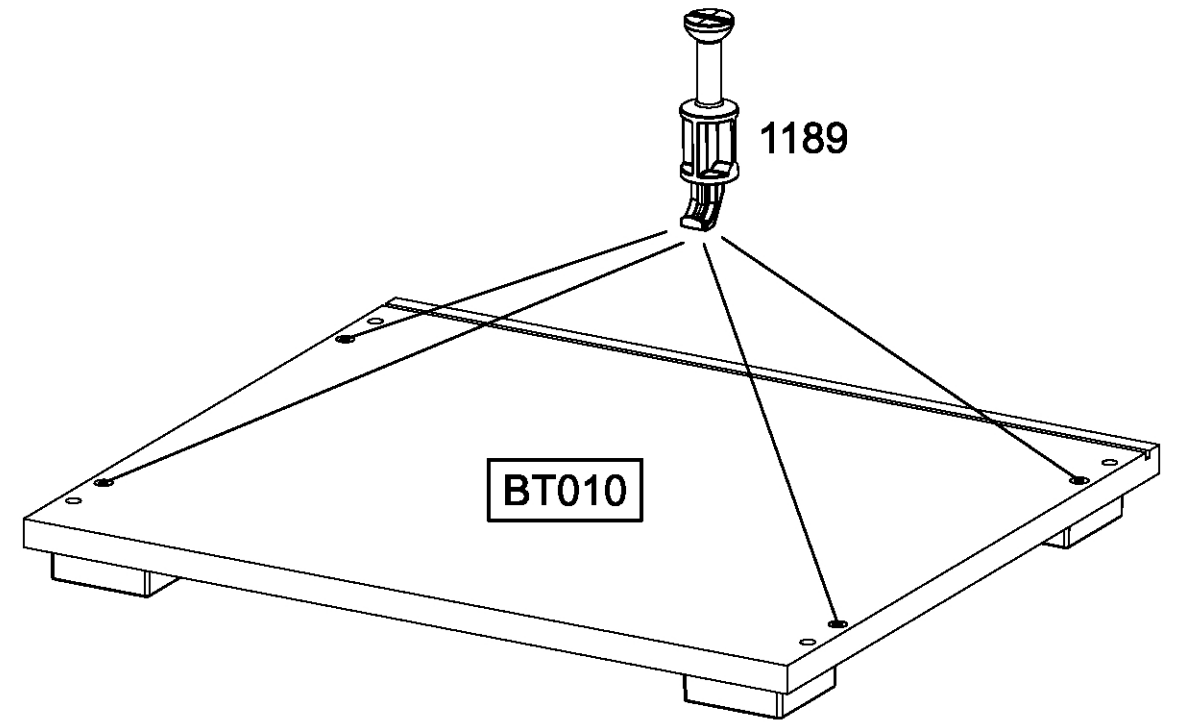
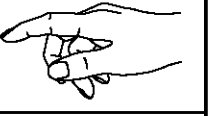


2.

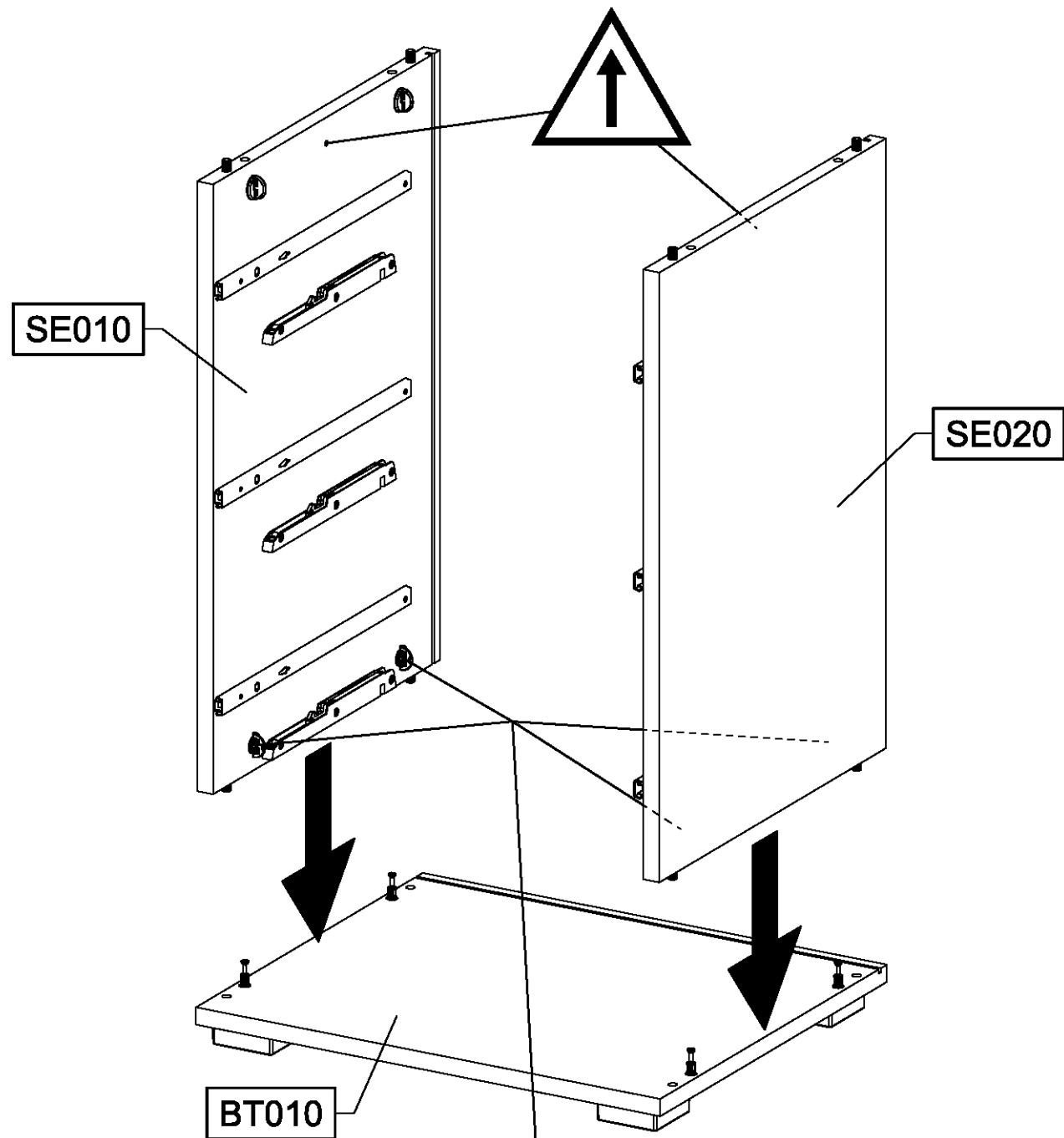


11

4x 1189

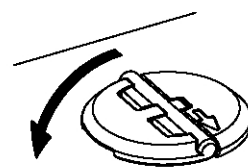
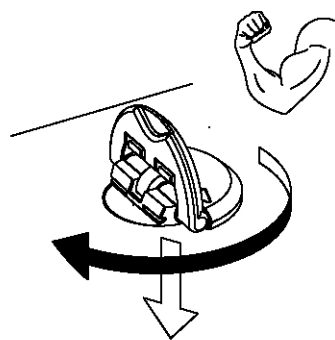


12

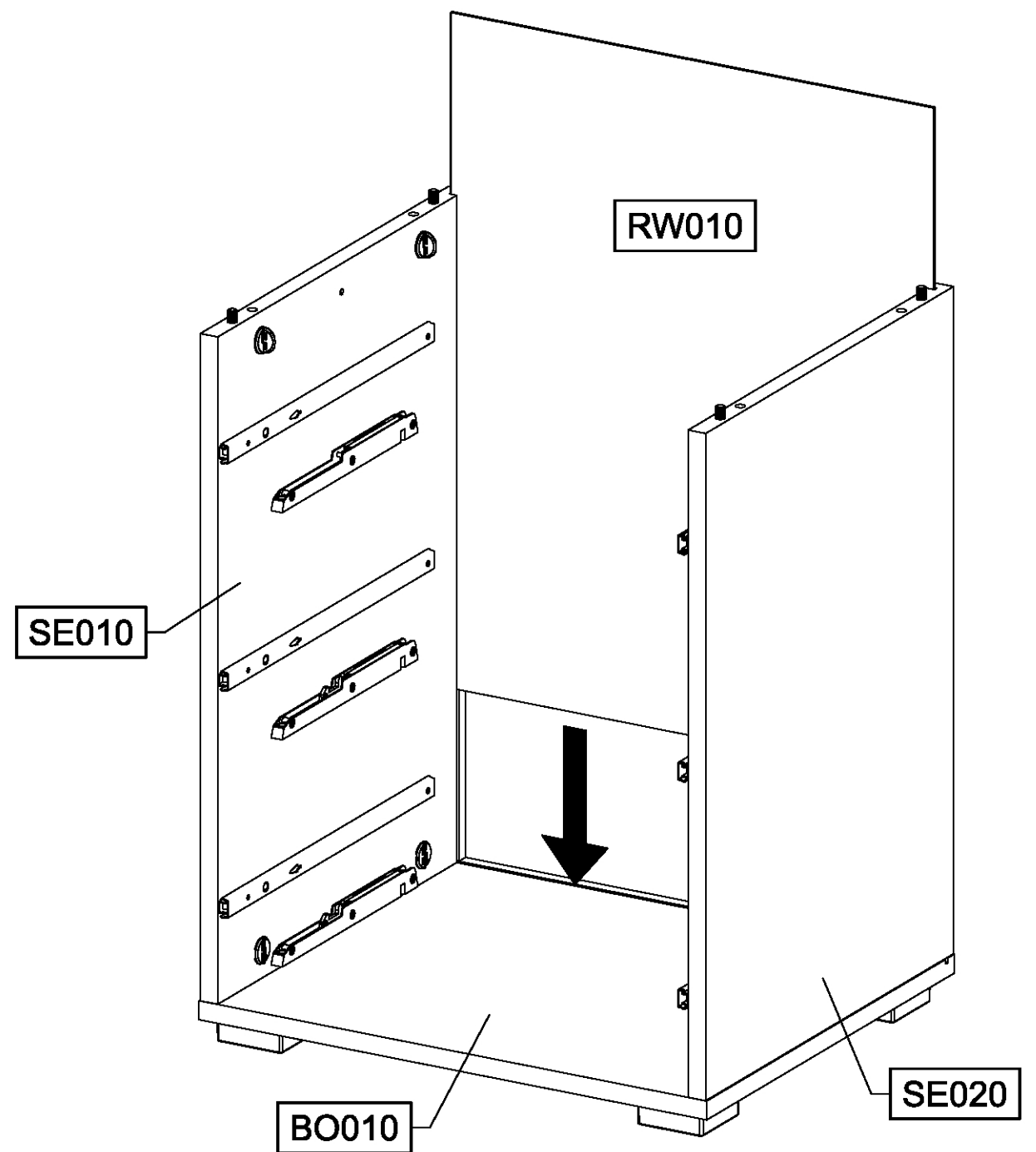


1.

2.



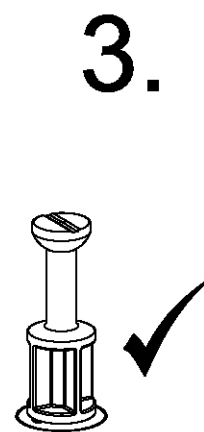
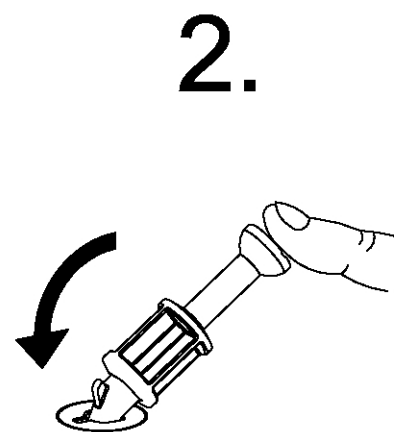
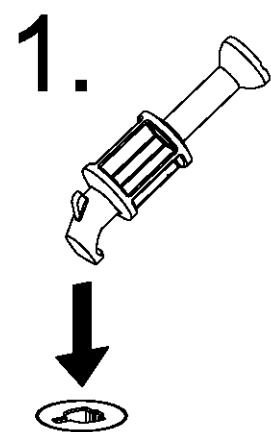
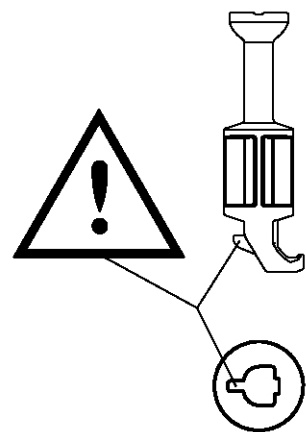
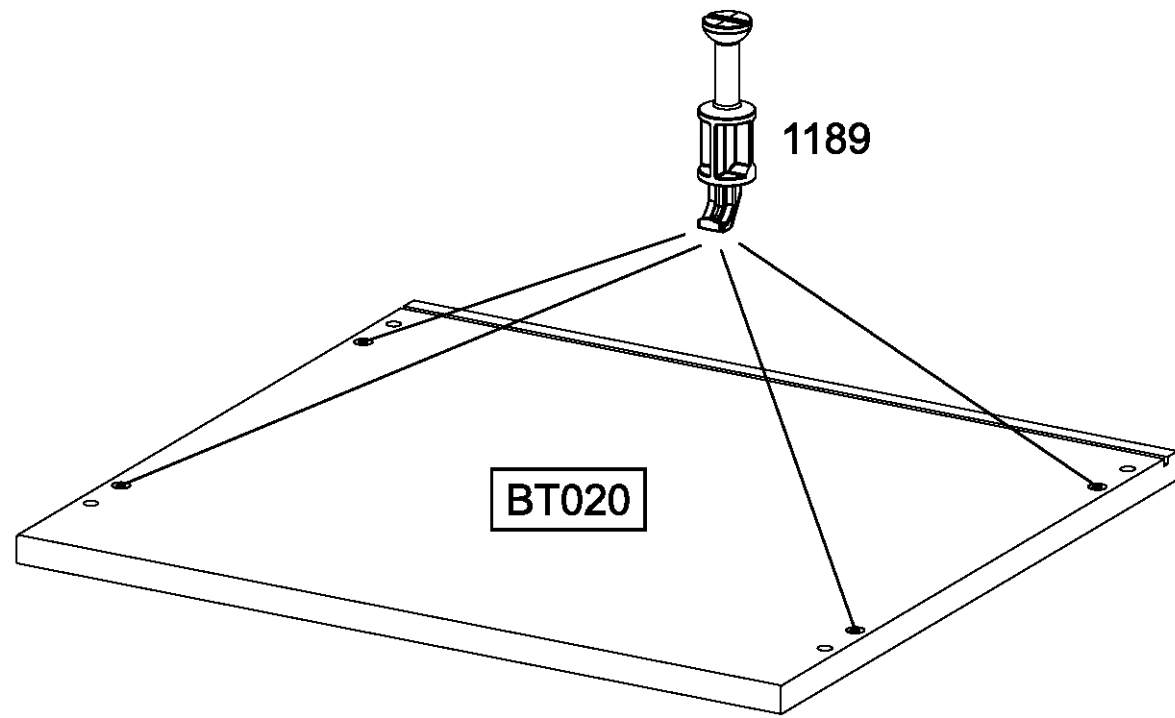
13



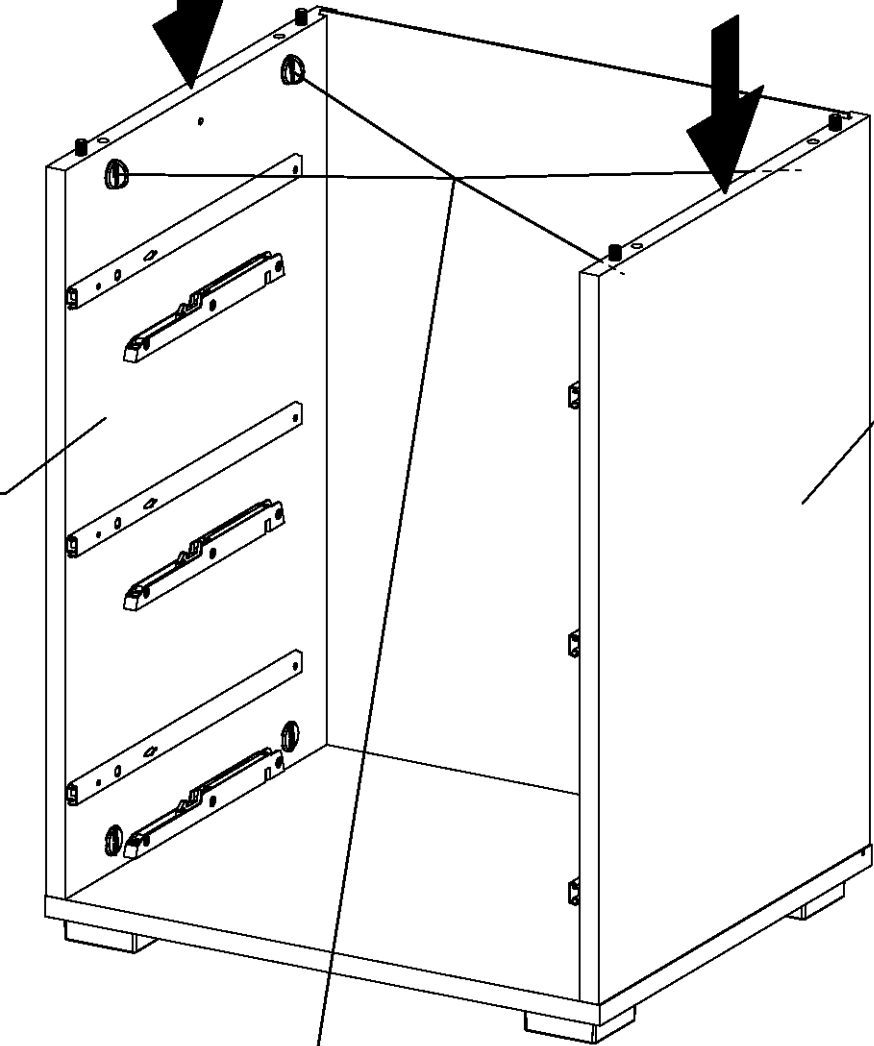
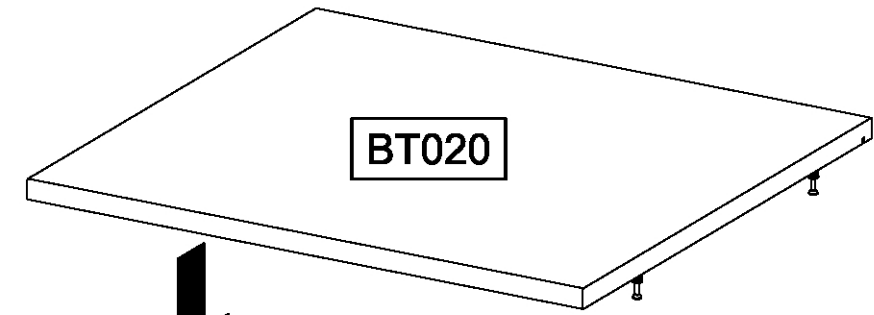


14

4x 1189

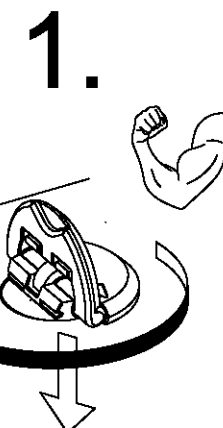


15



SE010

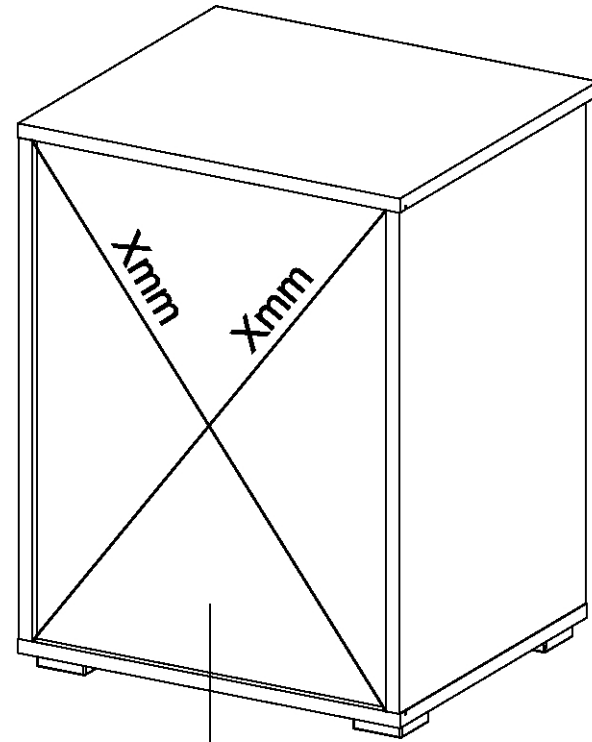
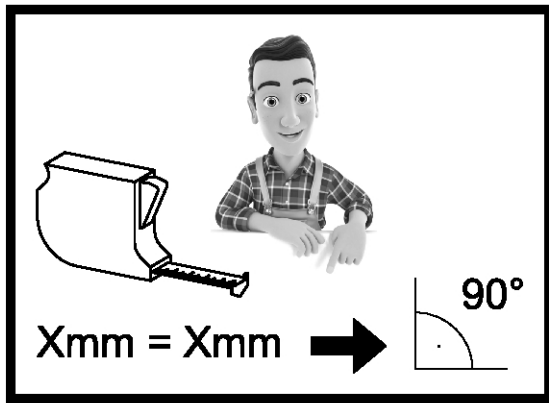
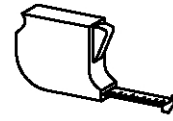
SE020



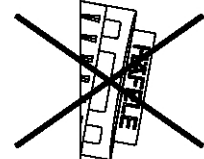
16

4x

1090



RW010



1090

RW010

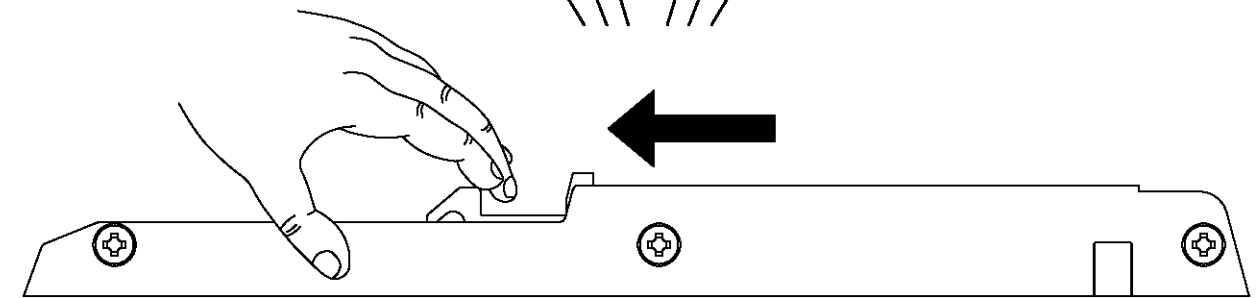
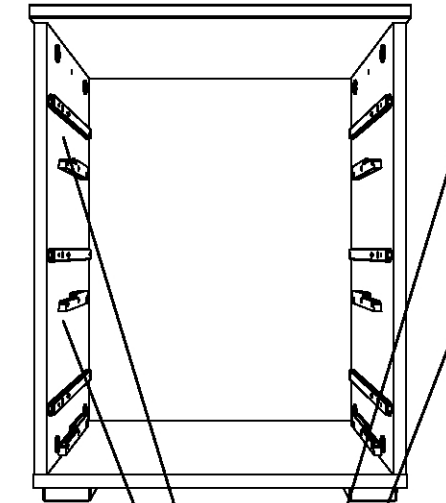
1090

SE010  
SE020

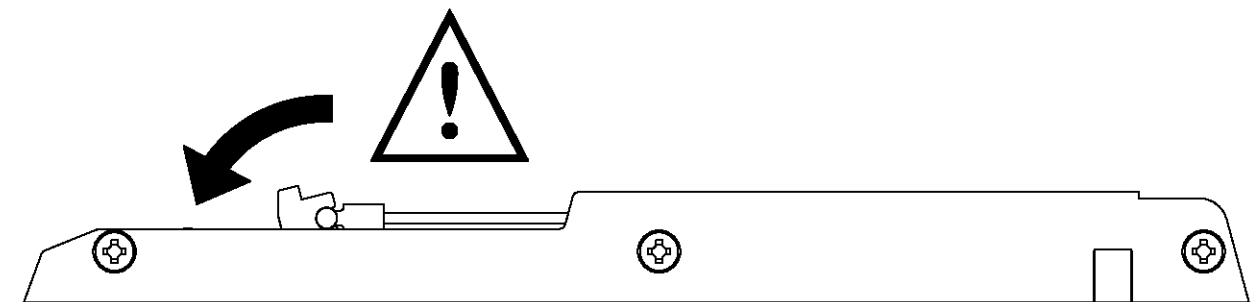
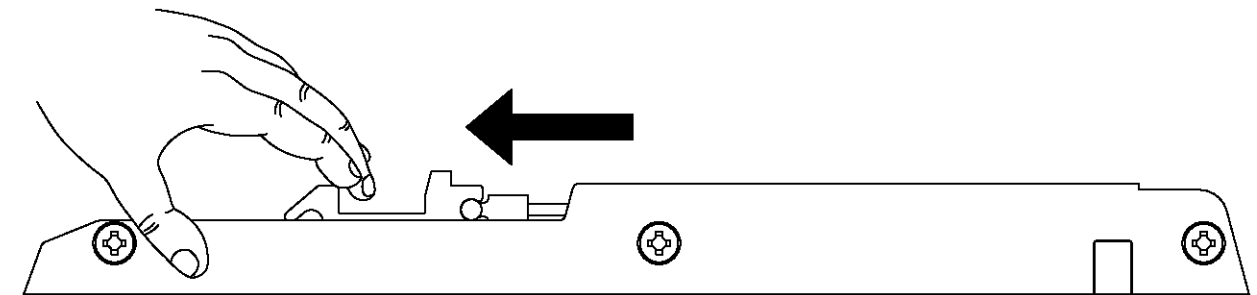
RW010

1090

17



1000



18

6x

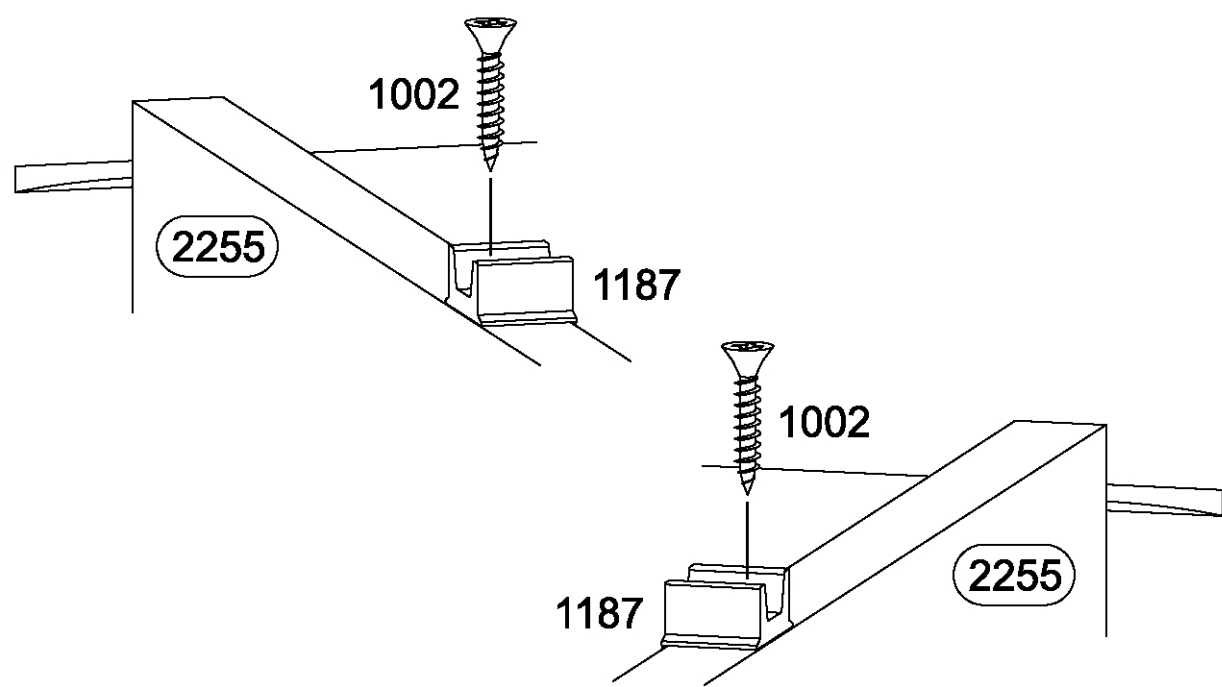
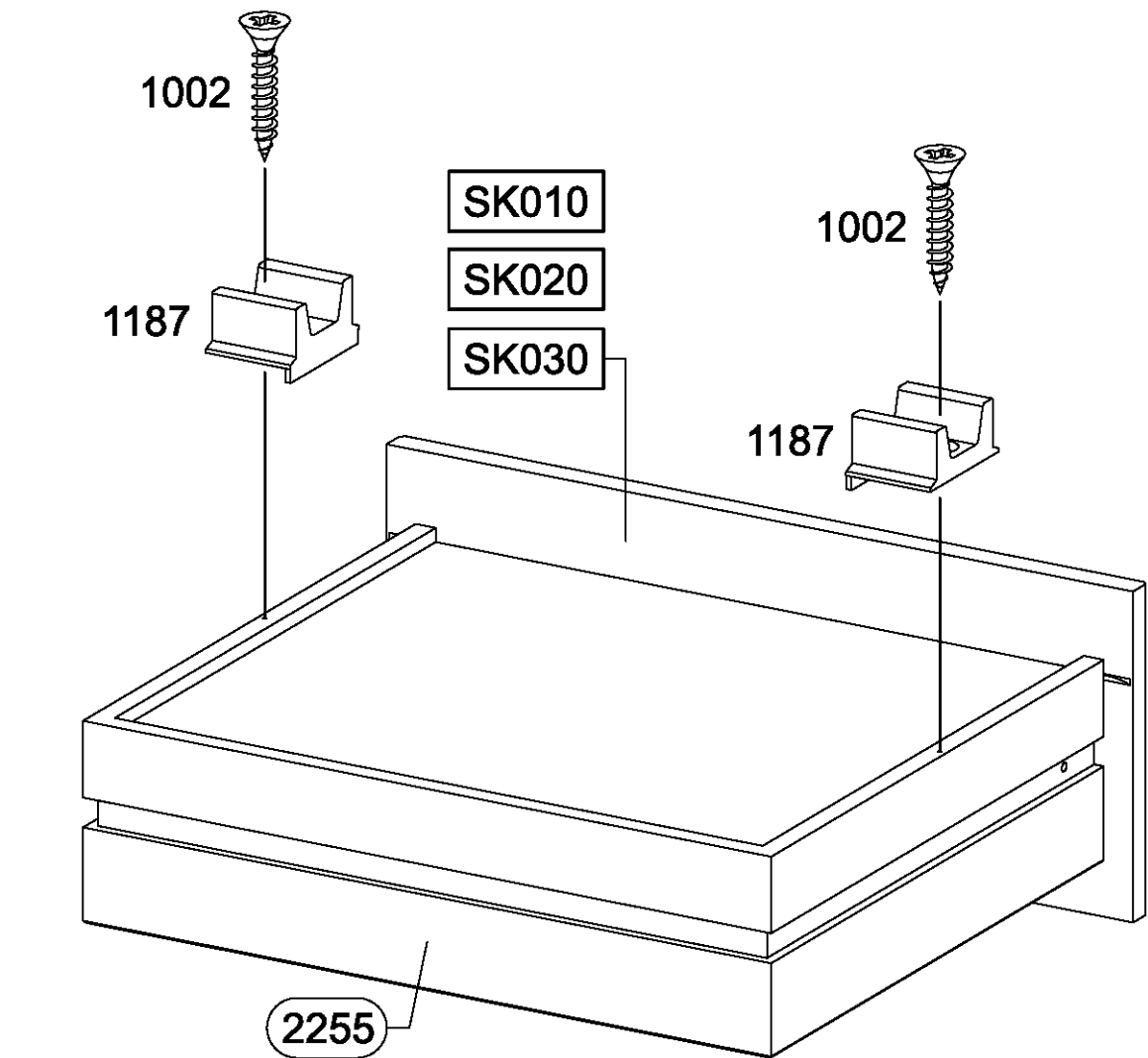
1002

3,5x20



6x

1187



19

6x

568

M4x9

