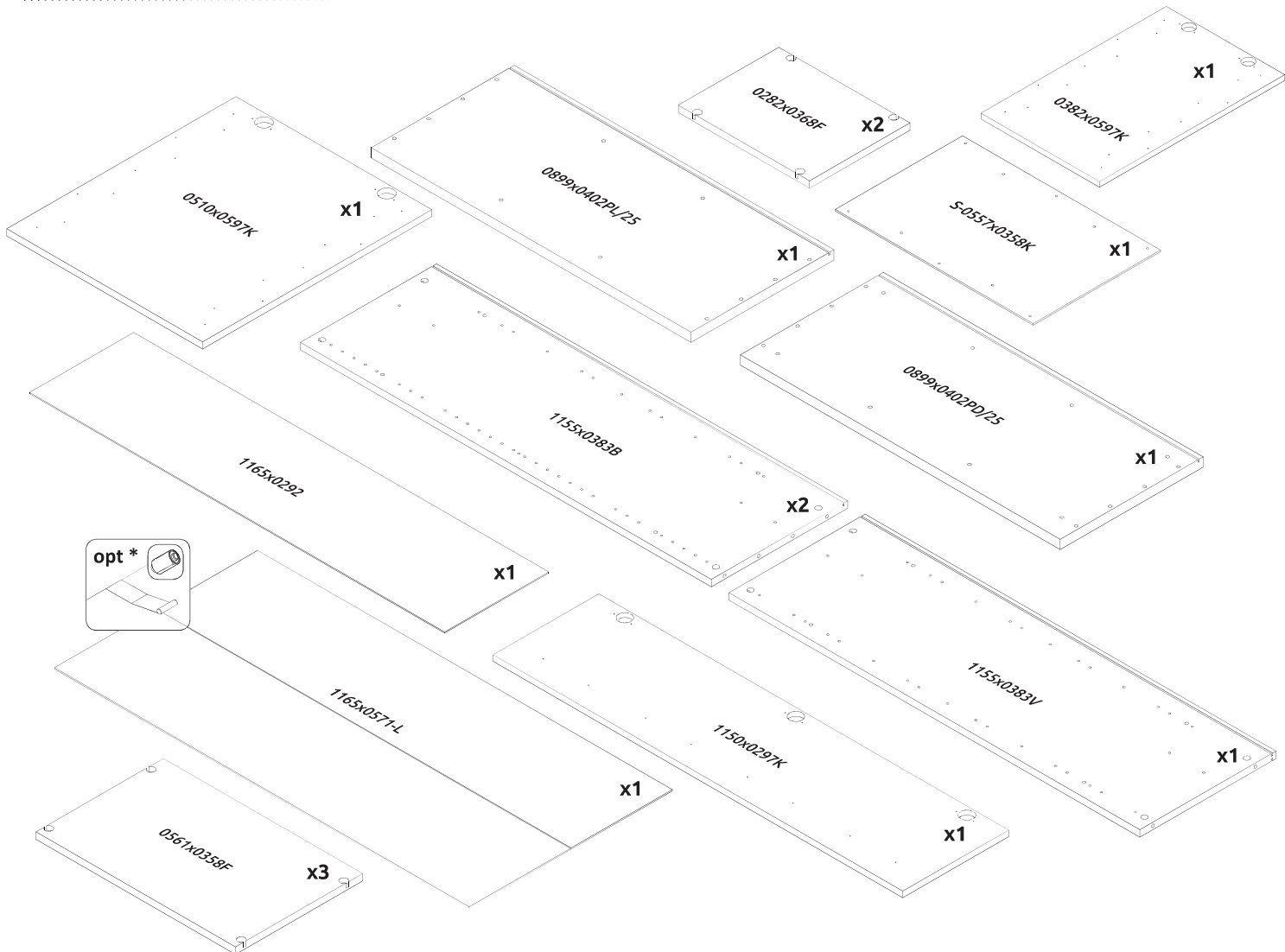
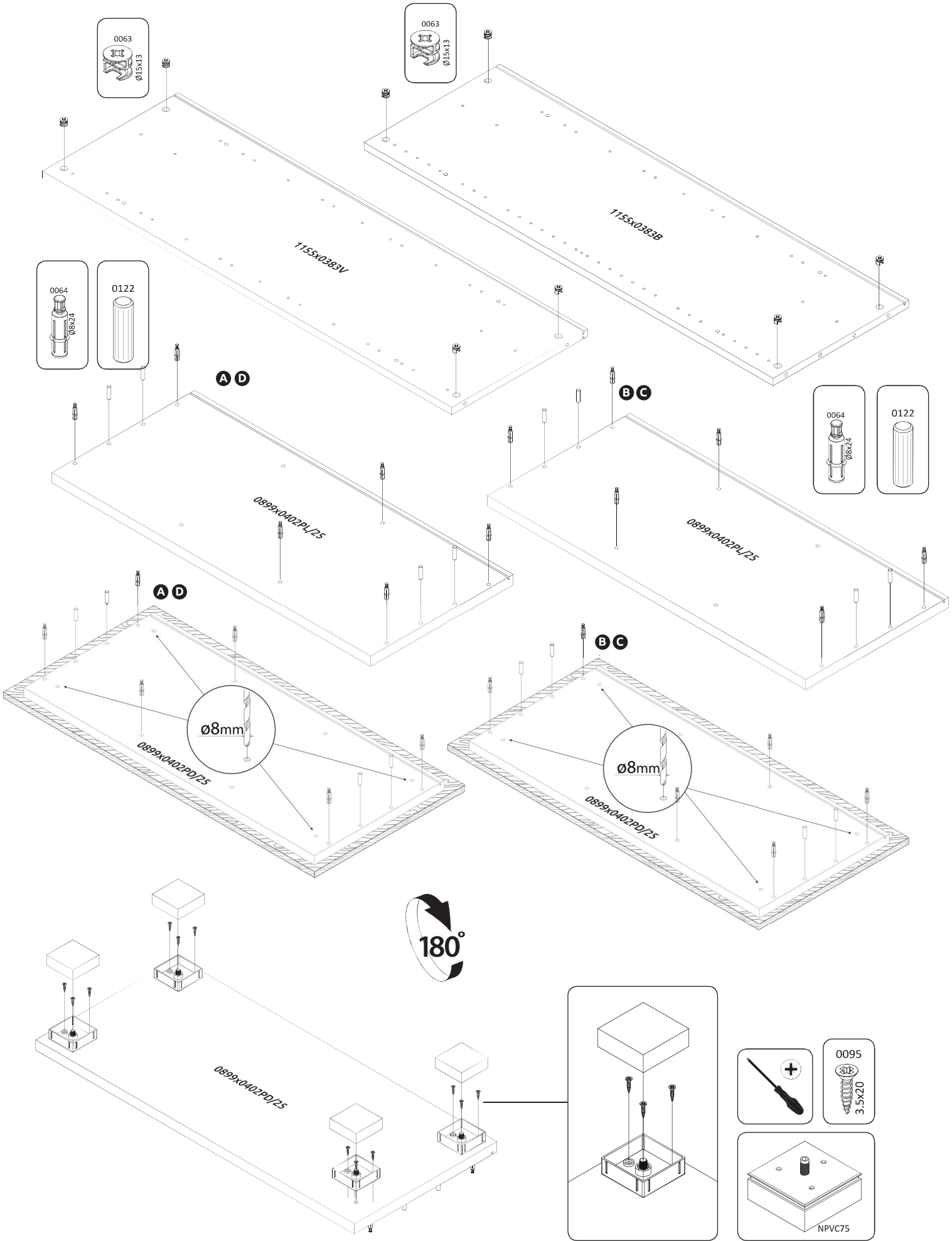


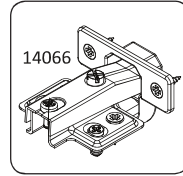
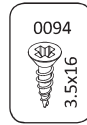
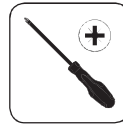
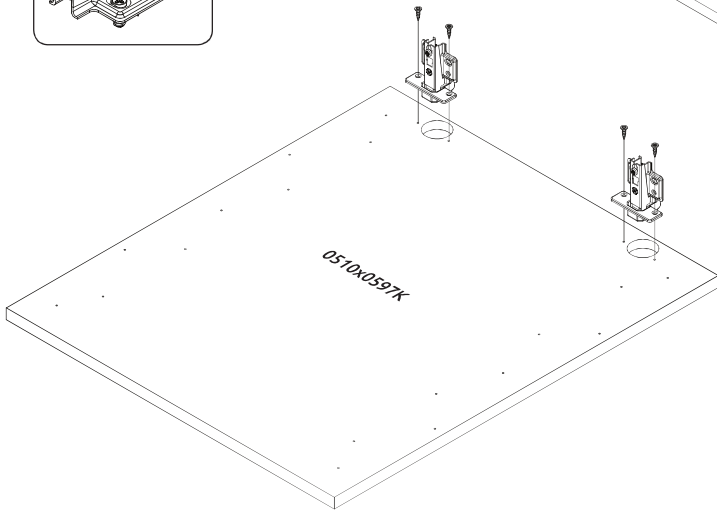
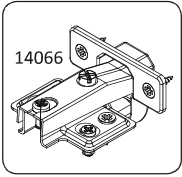
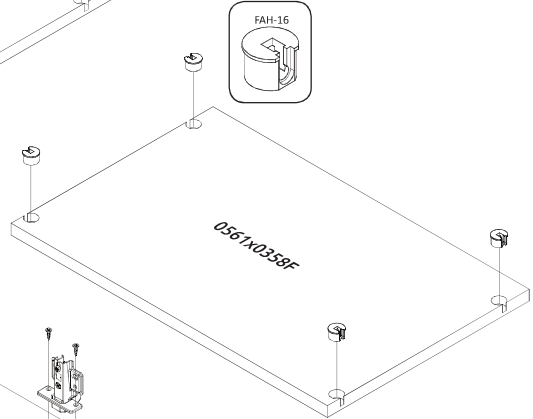
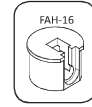
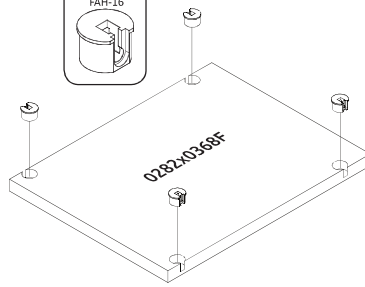
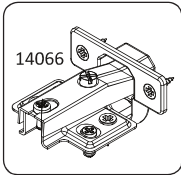
V90-2KS/PN

LWH - 899x402x1230

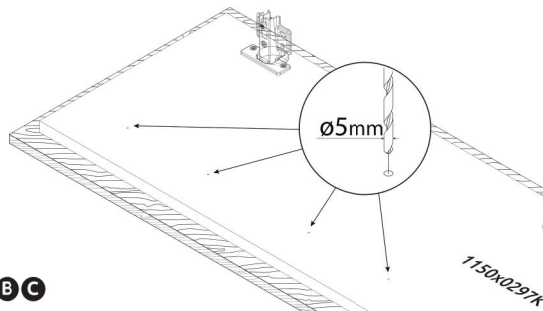
- | | | | | | | | | | | | | |
|------------------------------|---------------------------|-----------------------------|------------------------------|-----------------------------|-----------------------------|---------------------|------------------------------|---------------------|-------------------|---------------------|--------------------|--------------------|
| x10
9012
4.2x16 | x2
0096
4x18 | x2
0094
3.5x16 | x16
0095
3.5x20 | x8
32256
V4x23 | x12
0064
Ø8x24 | x20
16535 | x12
0063
Ø15x13 | x12
EKSK4 | x2
6319 | x10
16981 | x16
0108 | x20
CEP8 |
| x8
0121
1.4x25 | x8
0122 | x20
FAH-16 | x2
30820 | x1
15741 | x4
NPVC75 | x7
14066 | x1
10397 | | | | | |



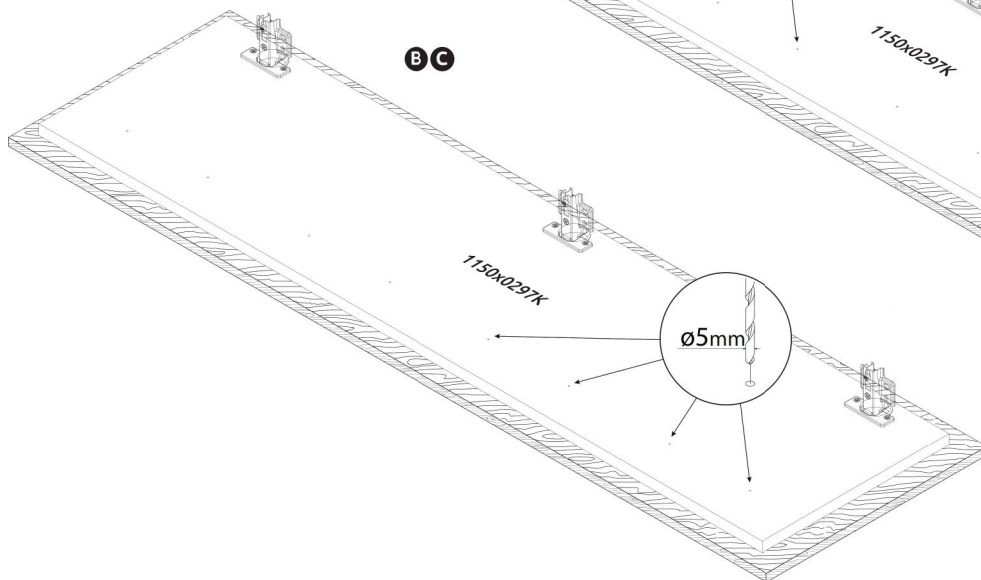


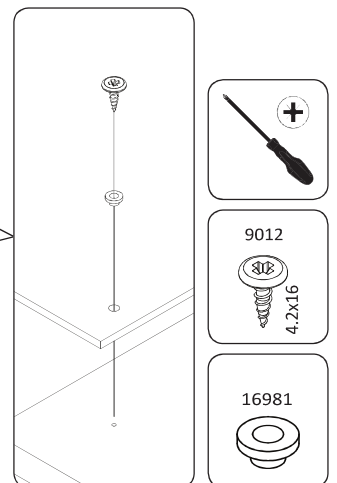
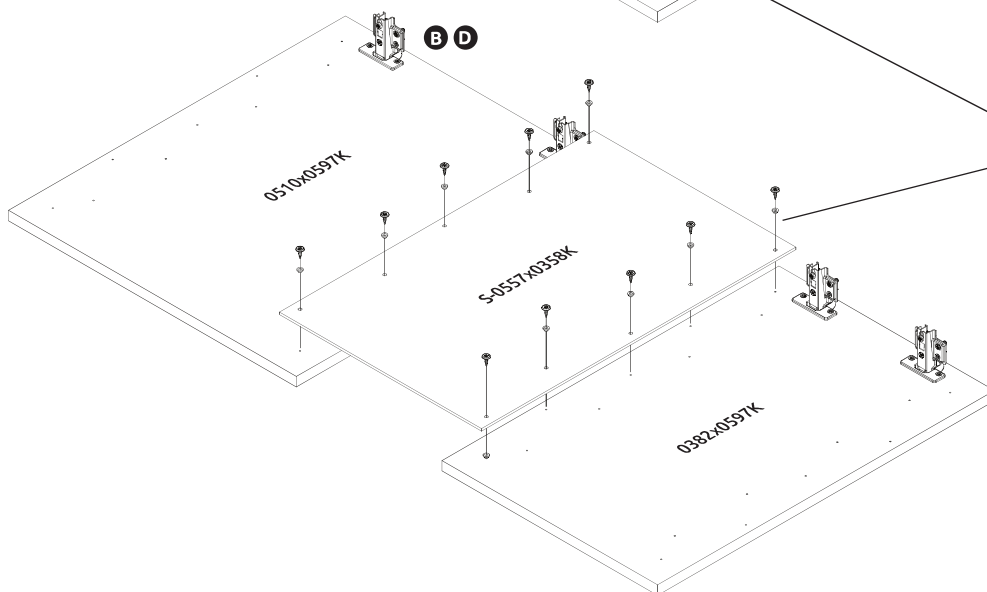
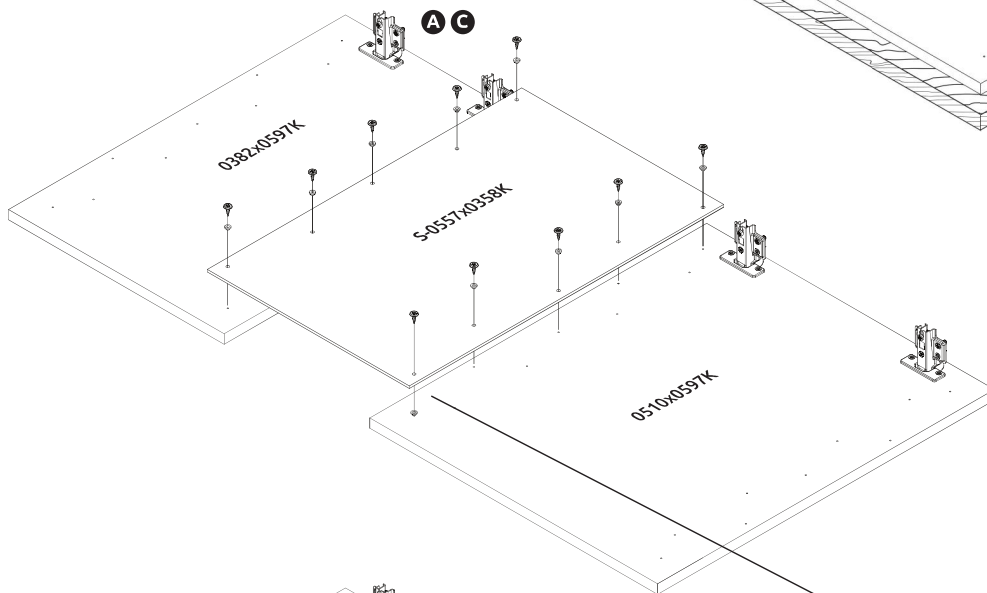
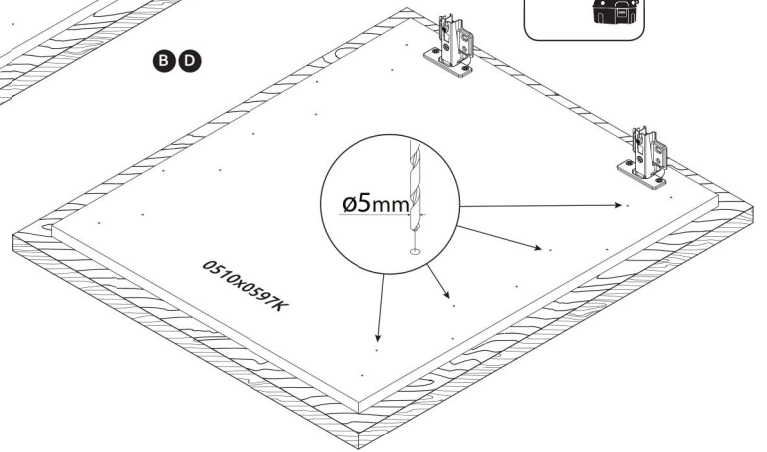
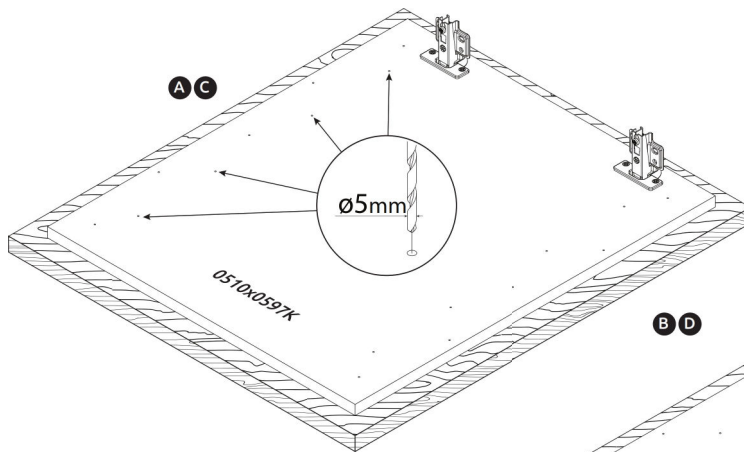


A D

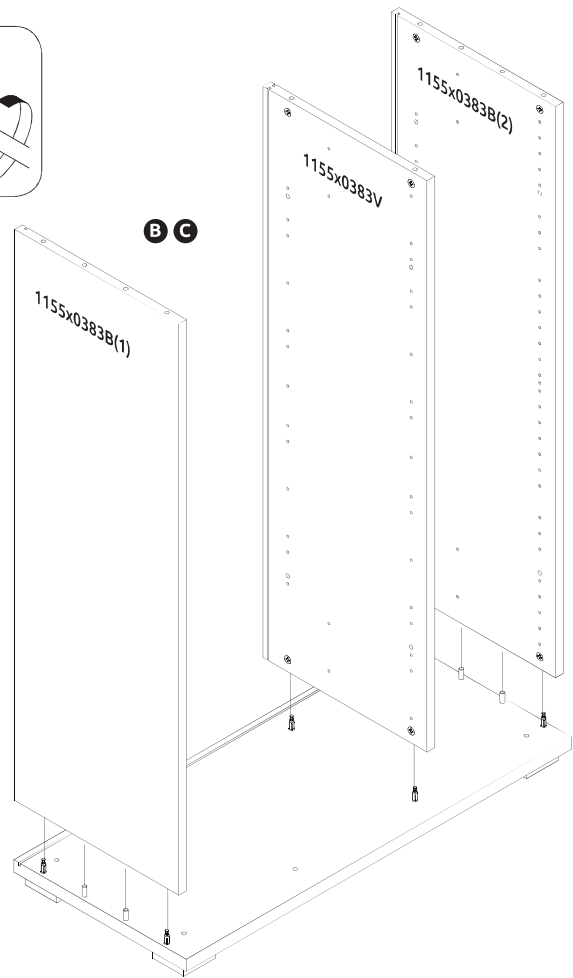
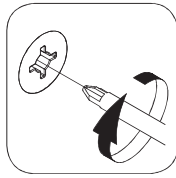


B C

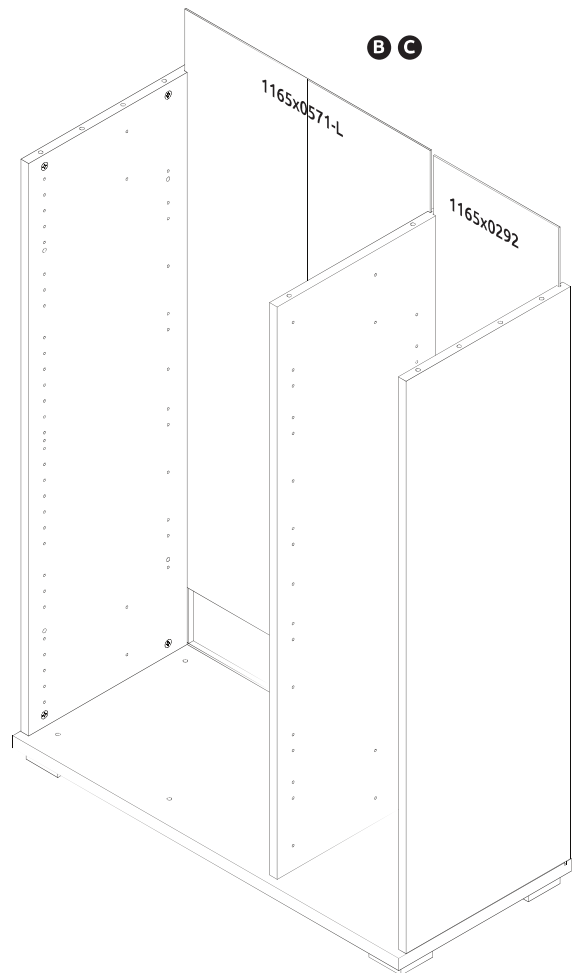
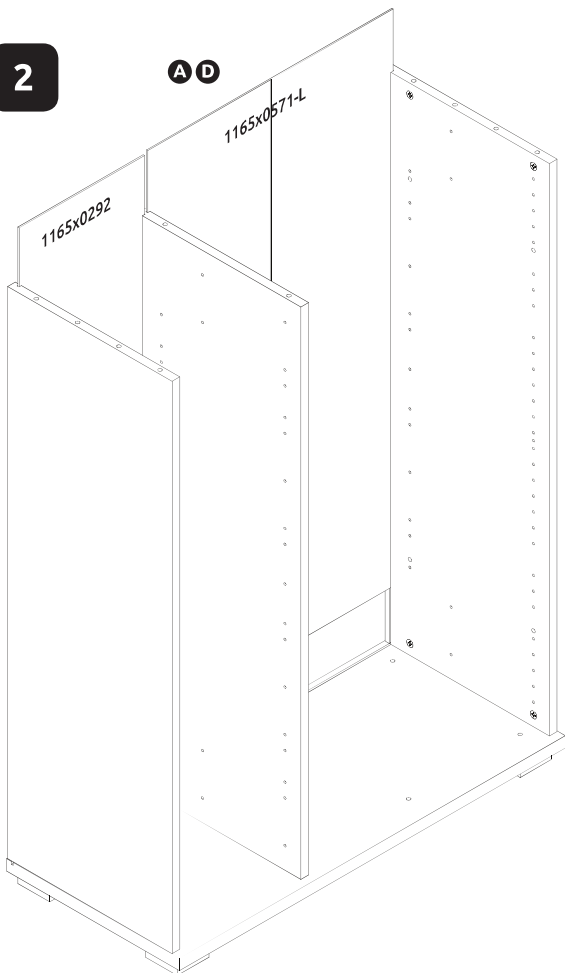




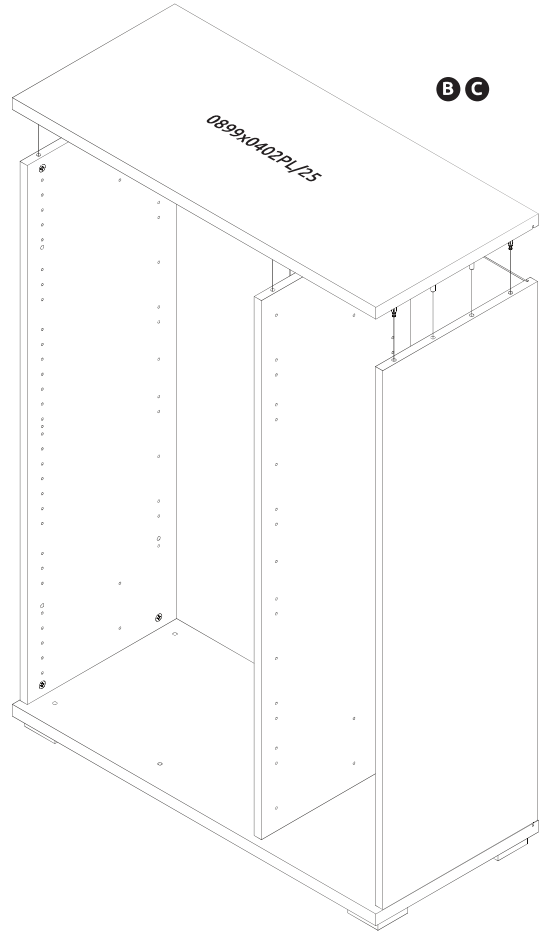
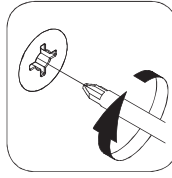
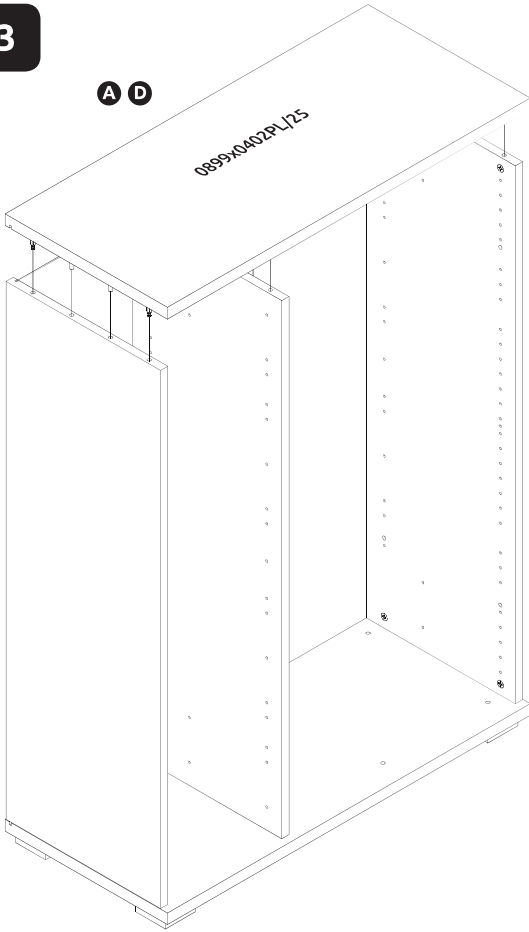
1



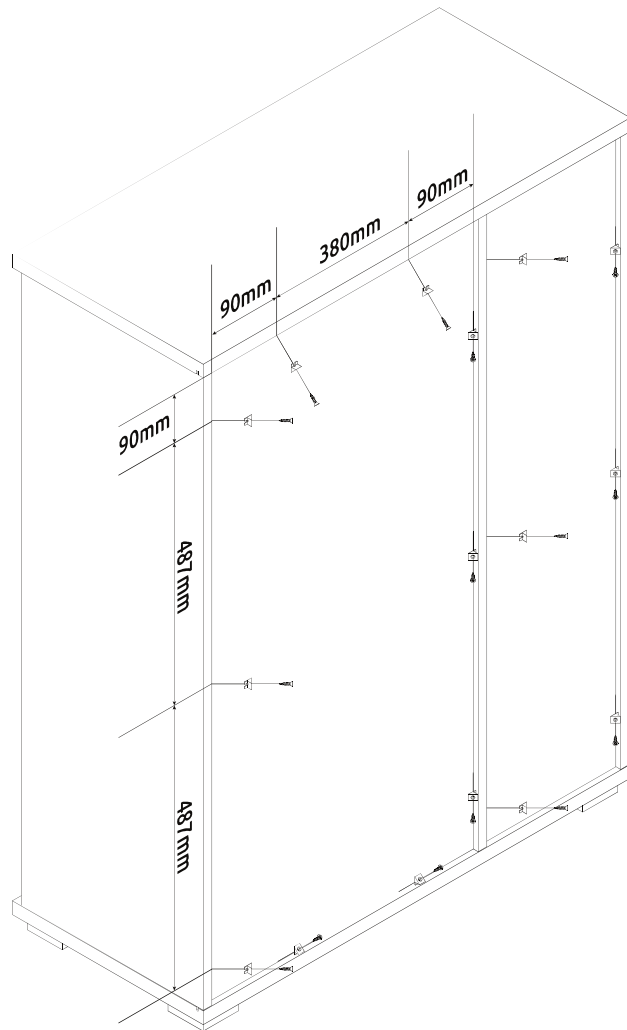
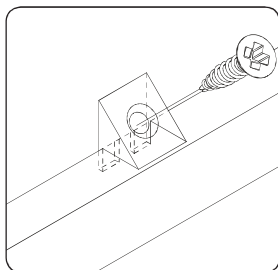
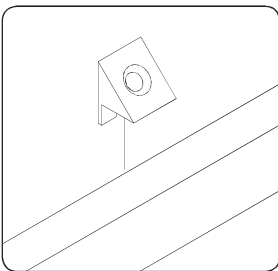
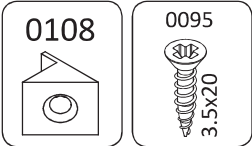
2



3



4

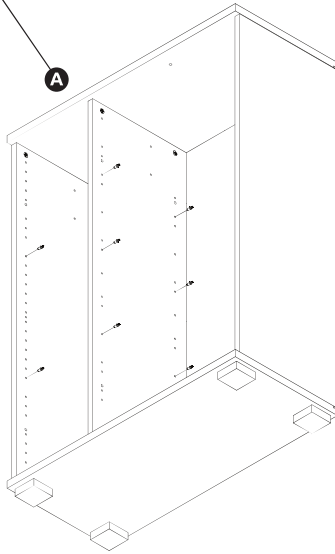


5

16535



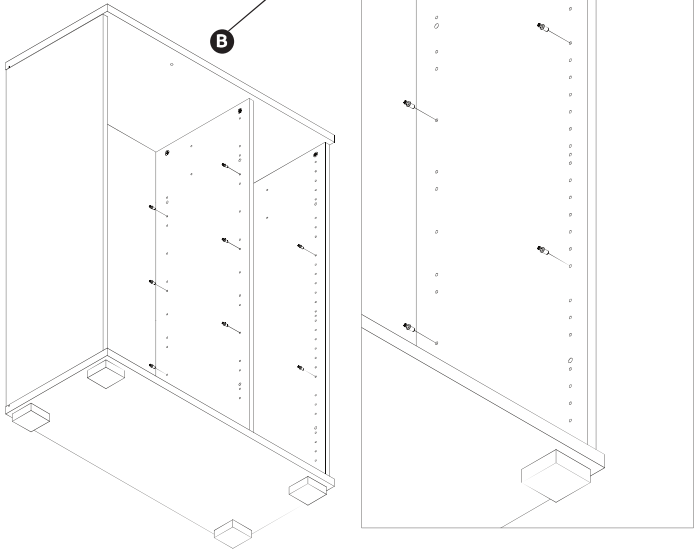
A



16535



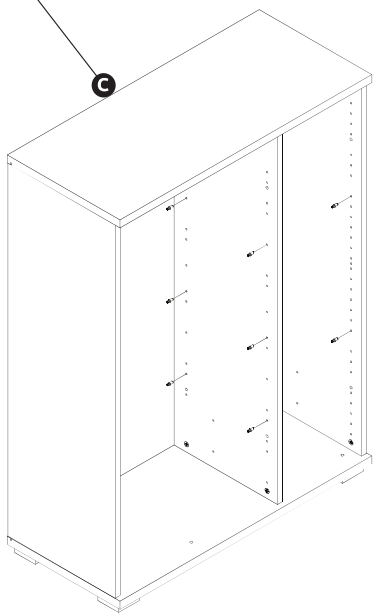
B



16535



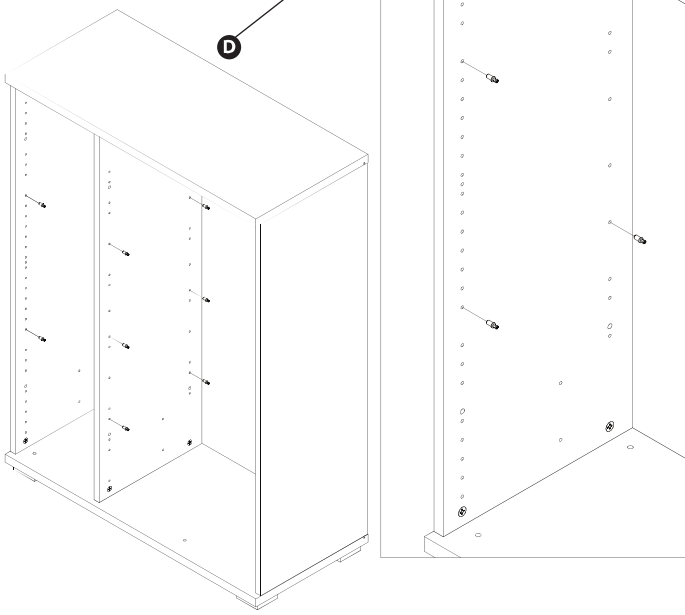
C



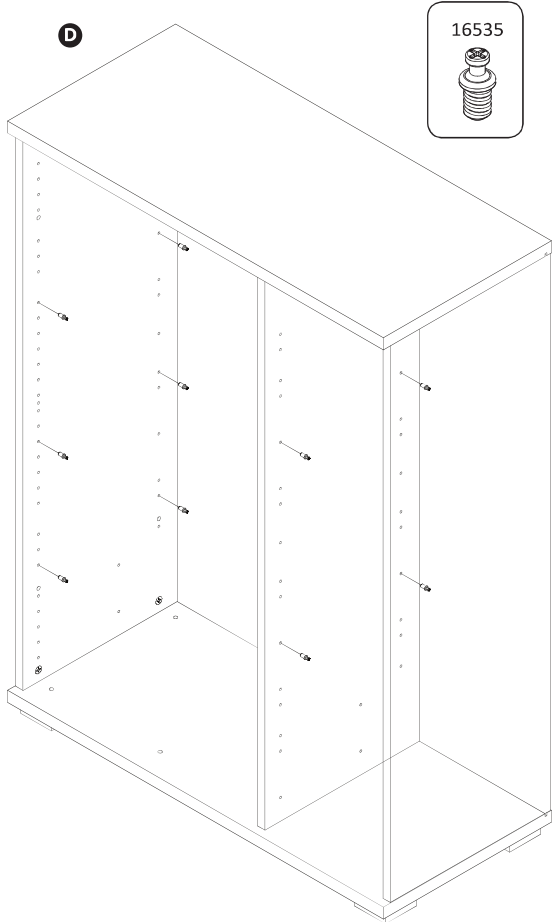
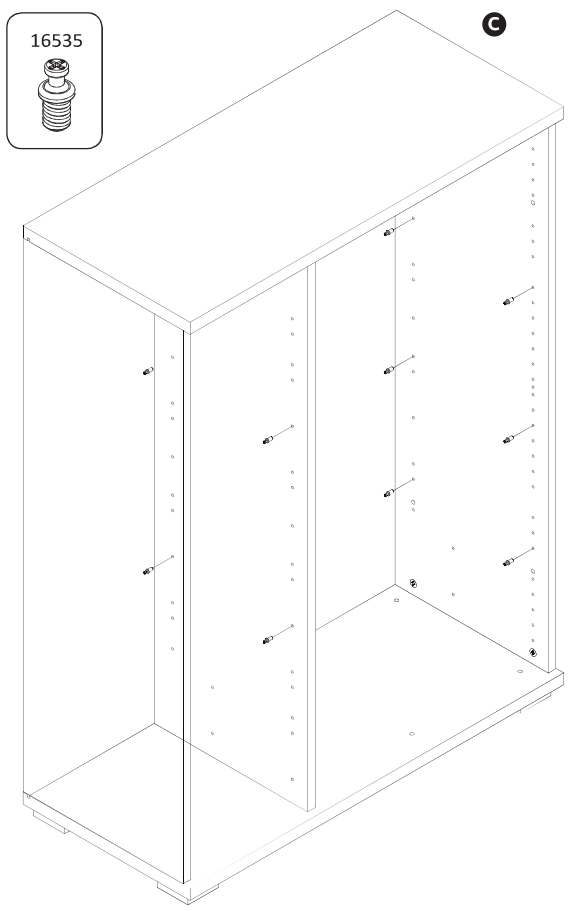
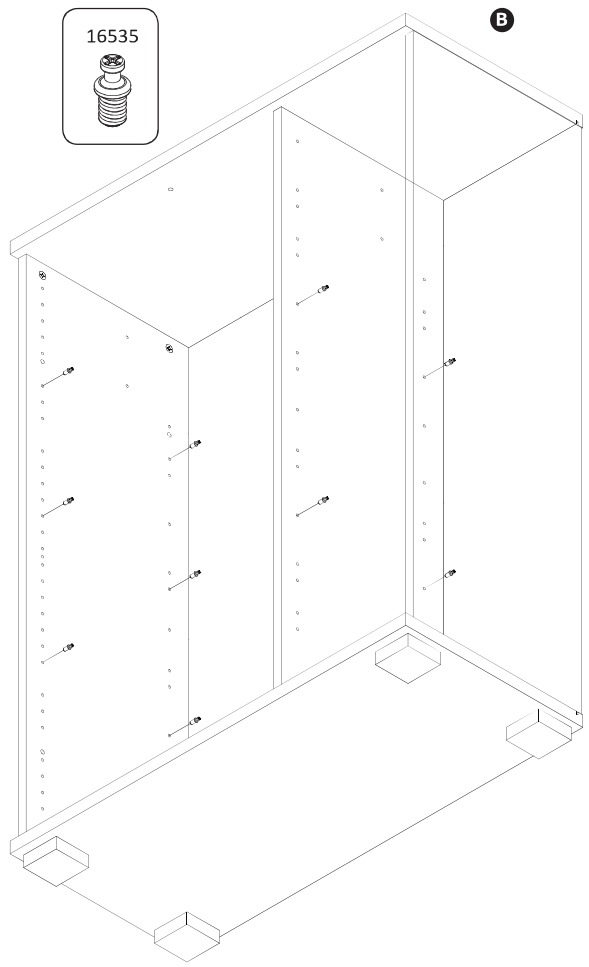
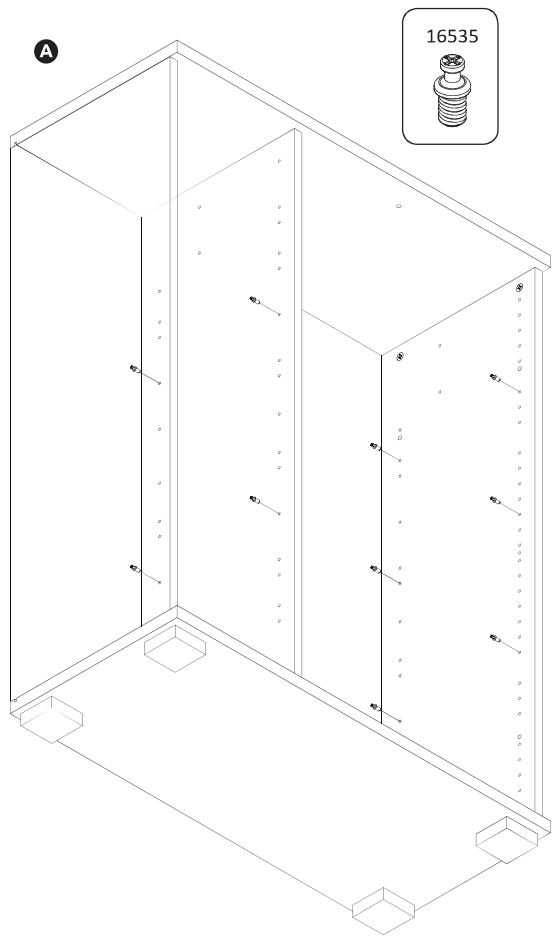
16535



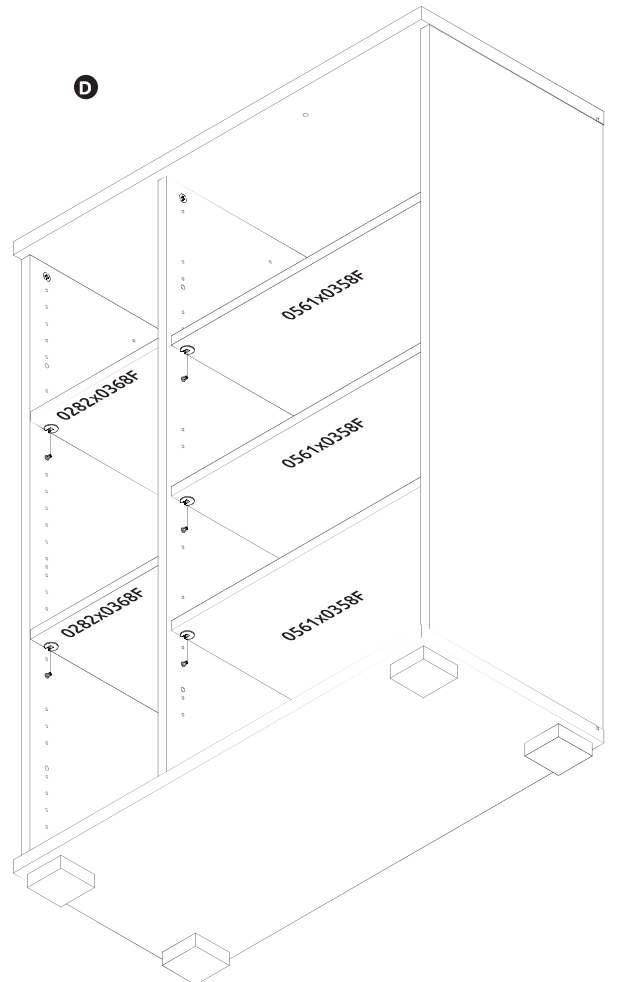
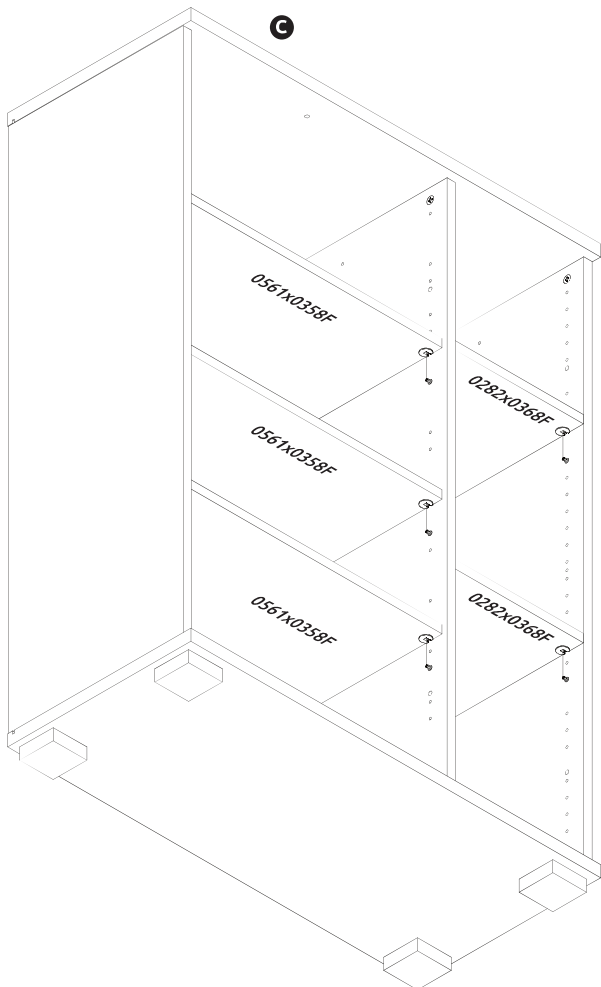
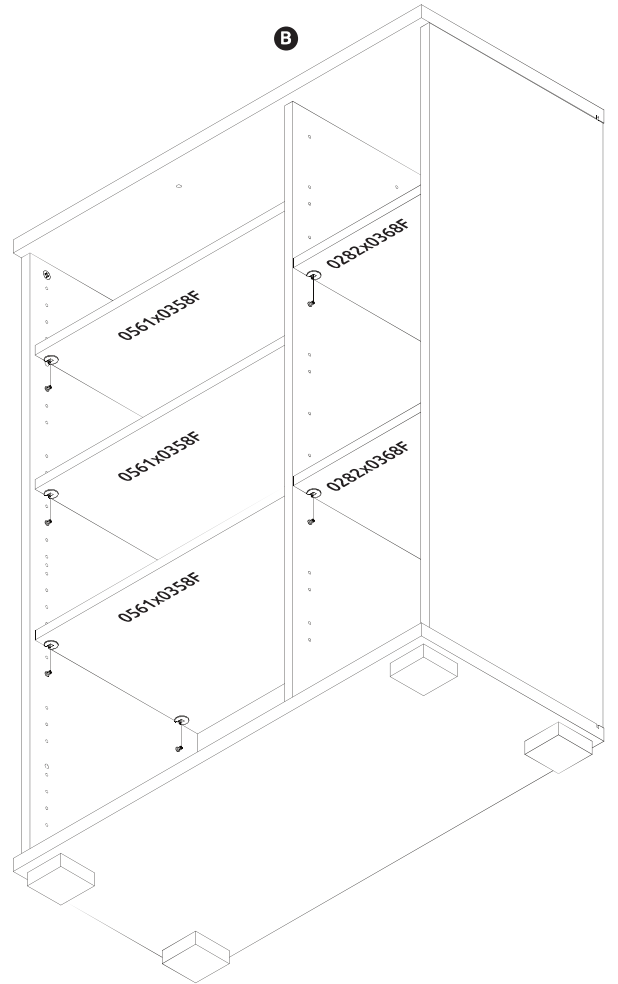
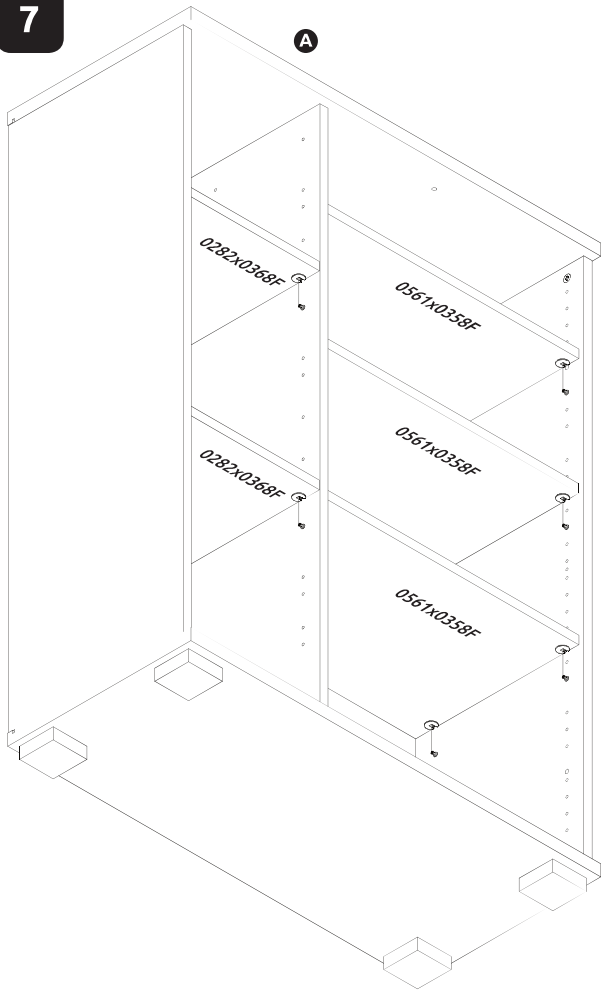
D



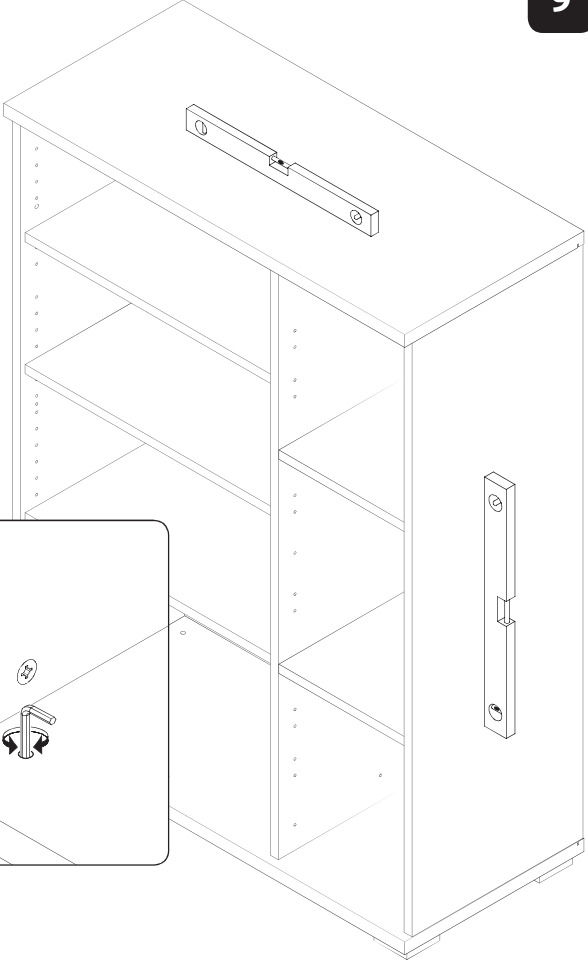
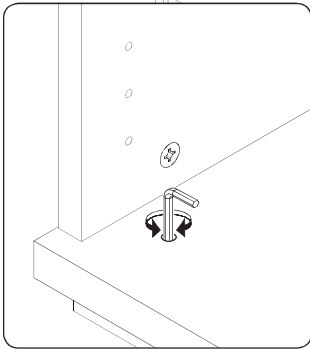
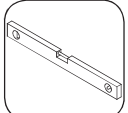
6



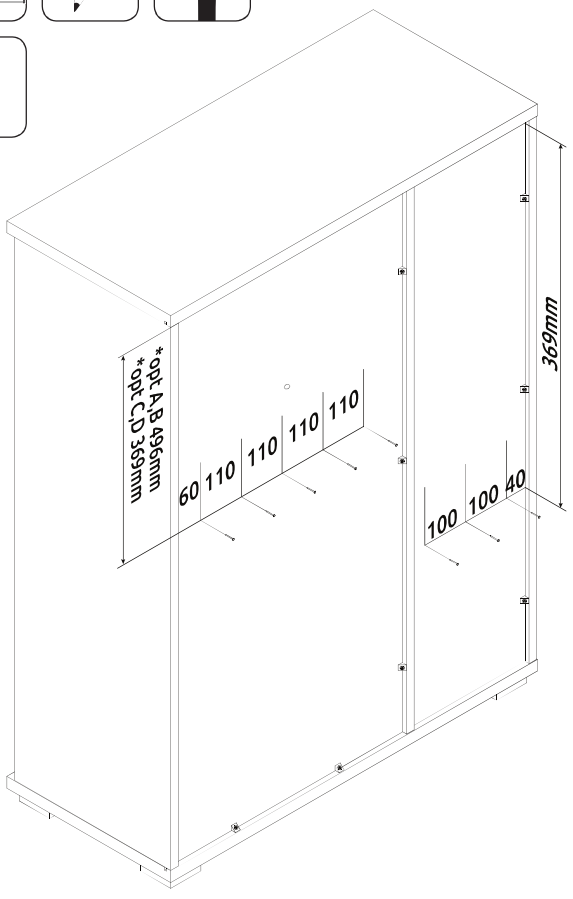
7



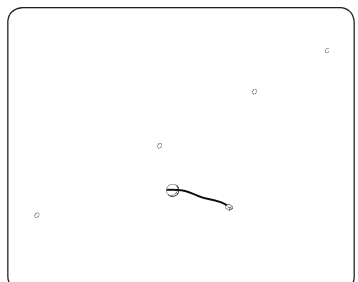
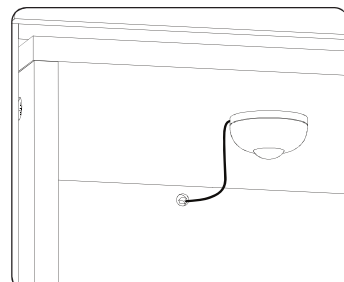
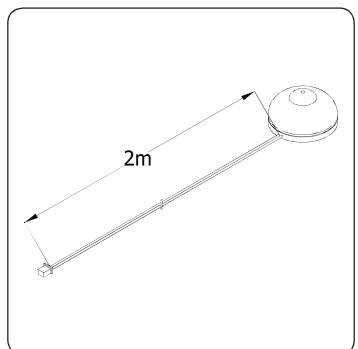
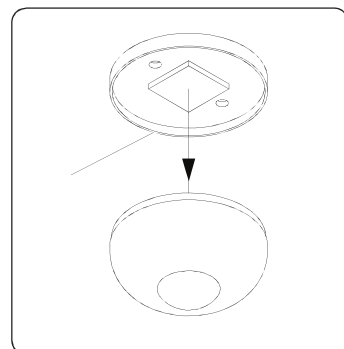
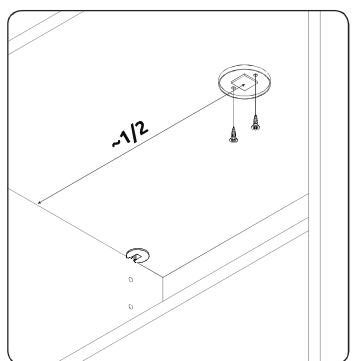
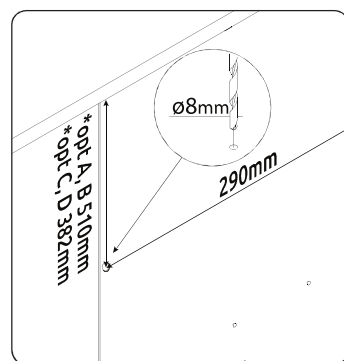
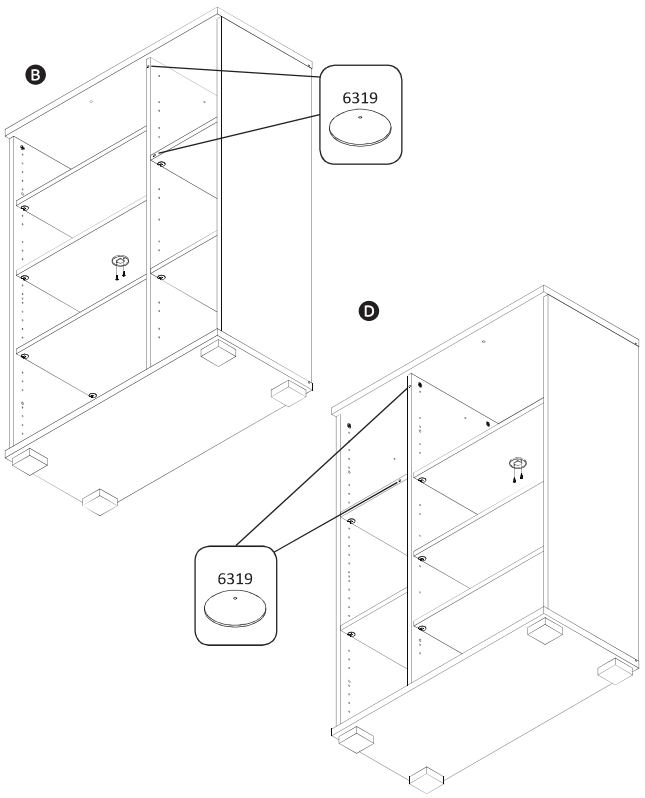
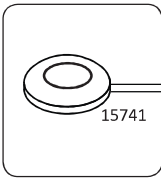
8



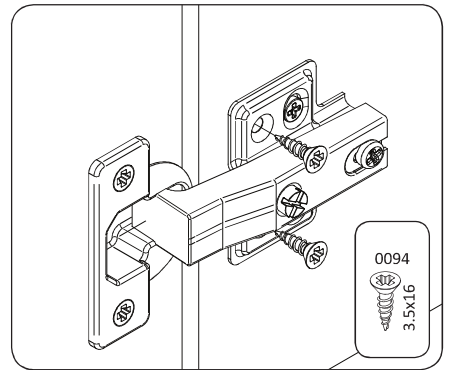
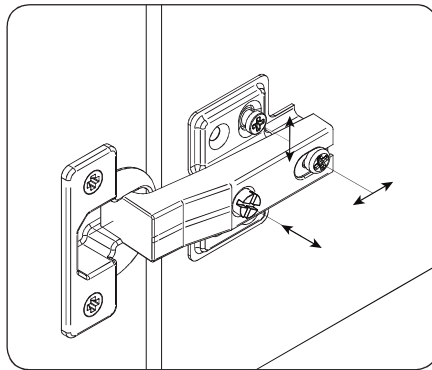
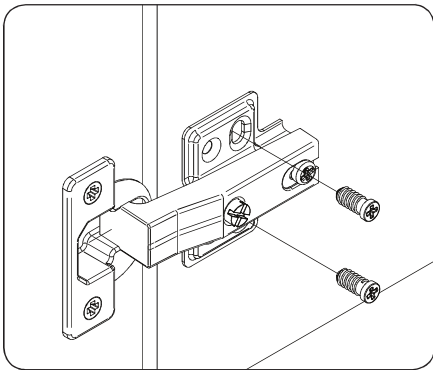
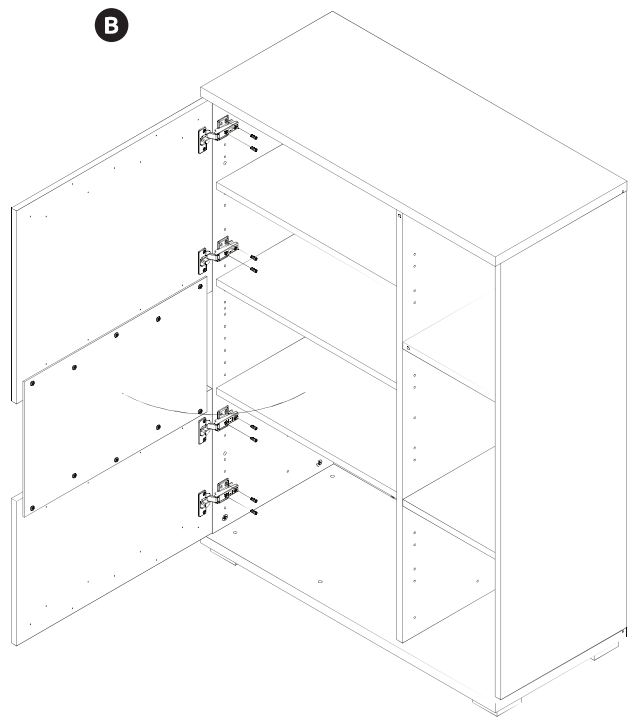
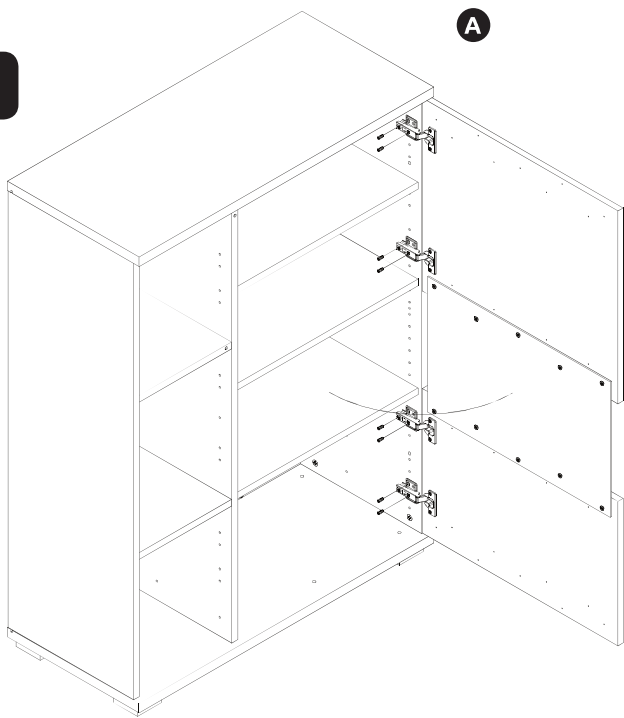
9



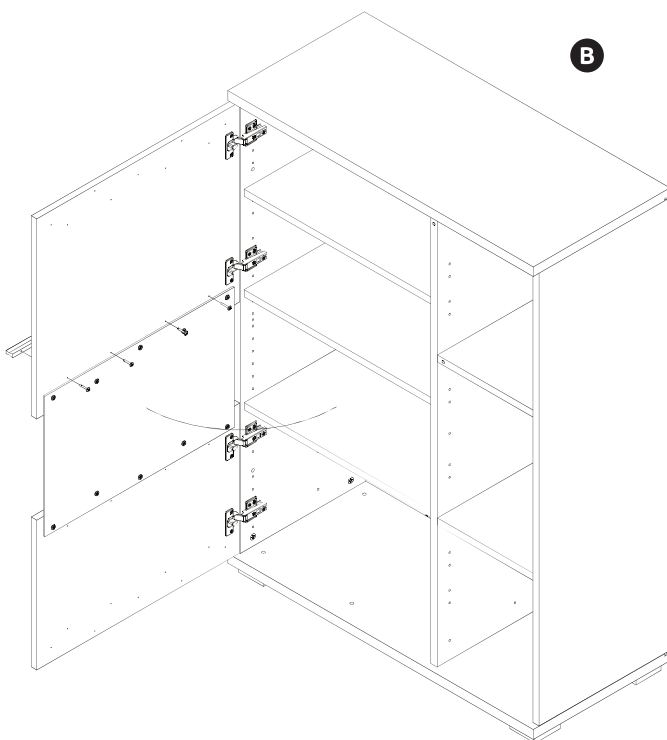
10



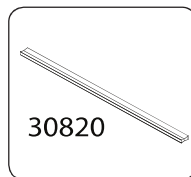
11



B



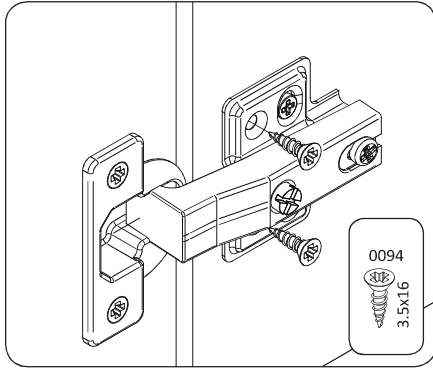
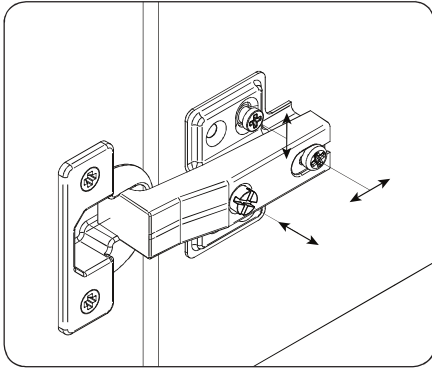
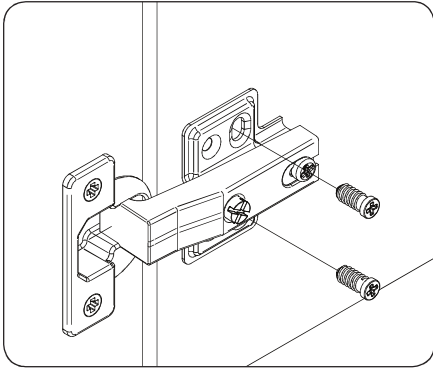
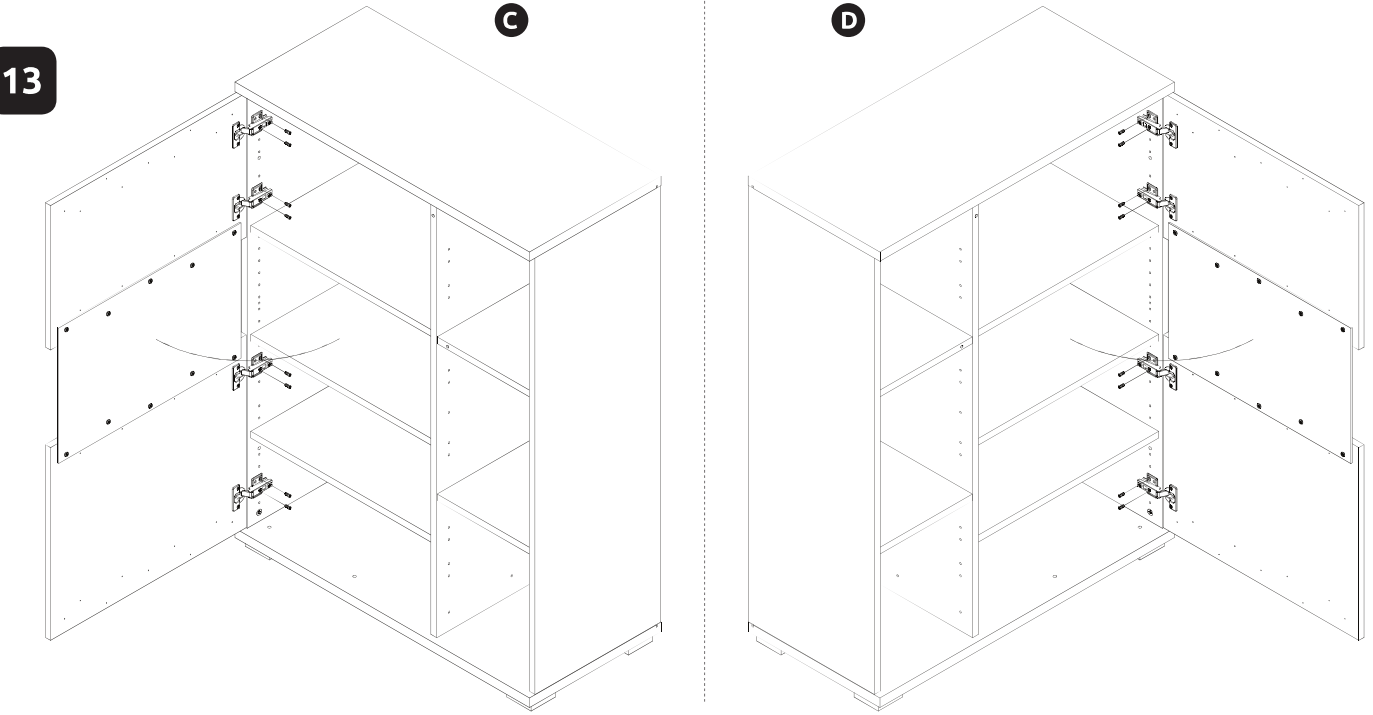
12



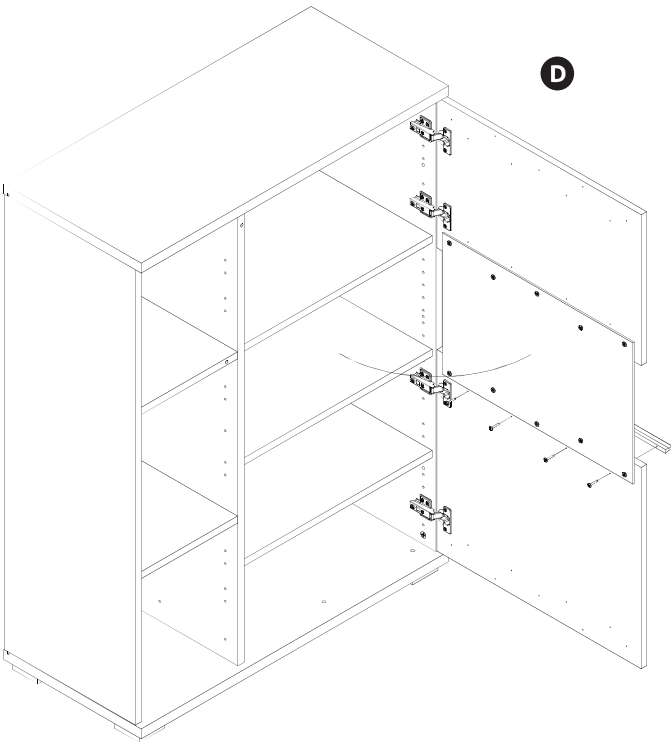
13

C

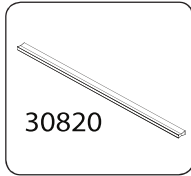
D



D

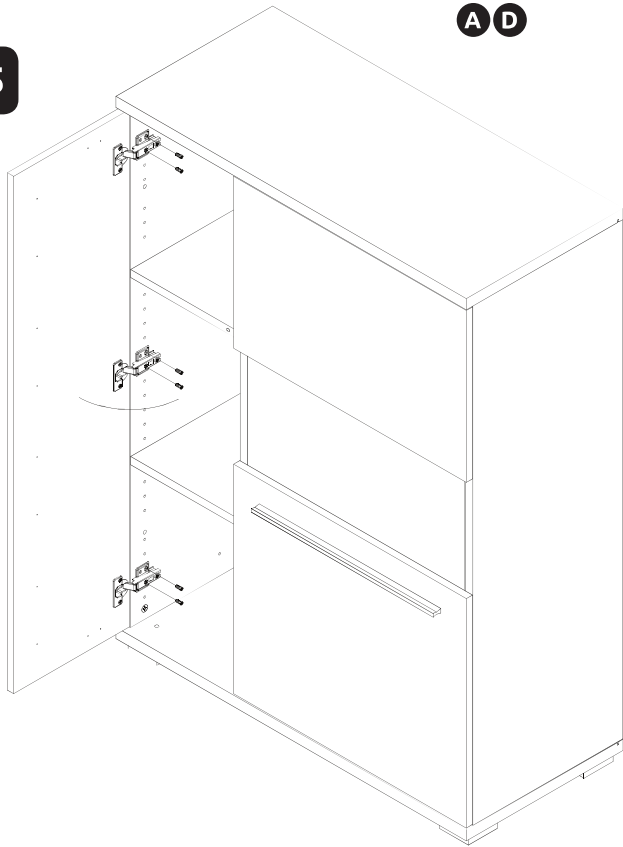


14

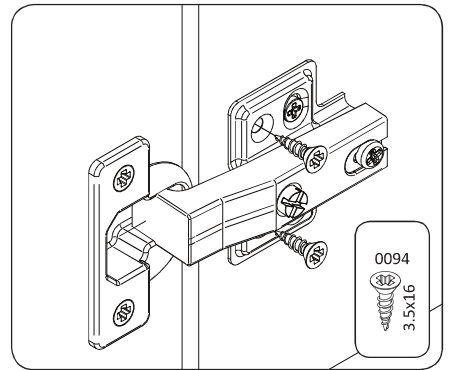
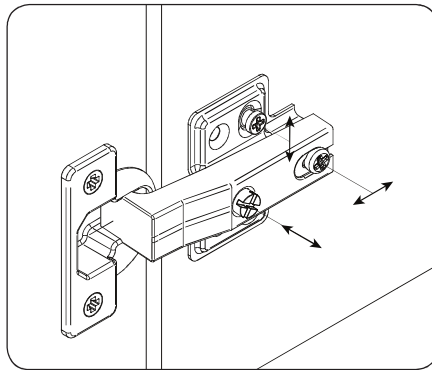
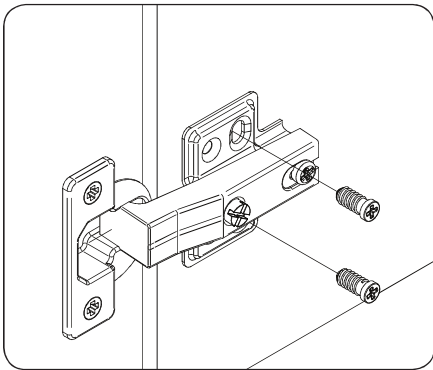
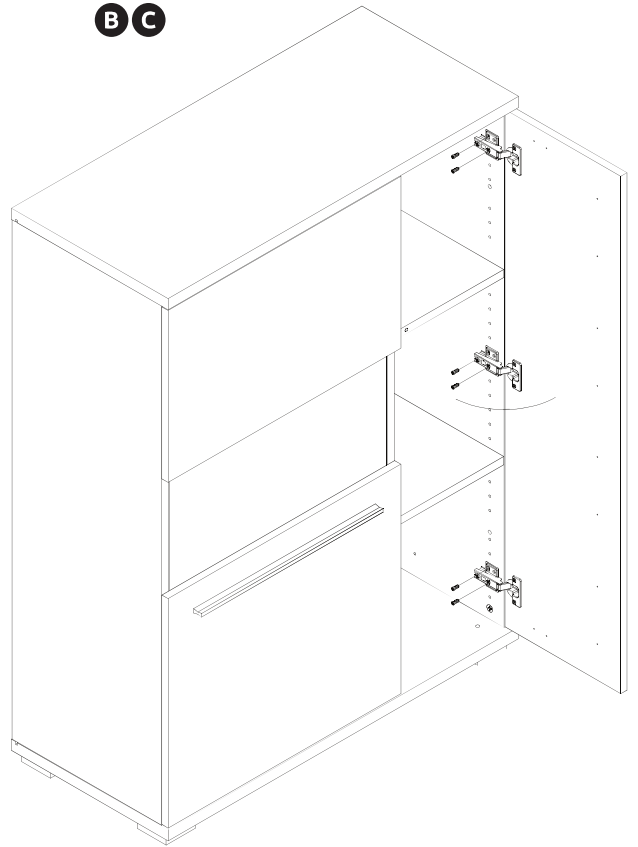


15

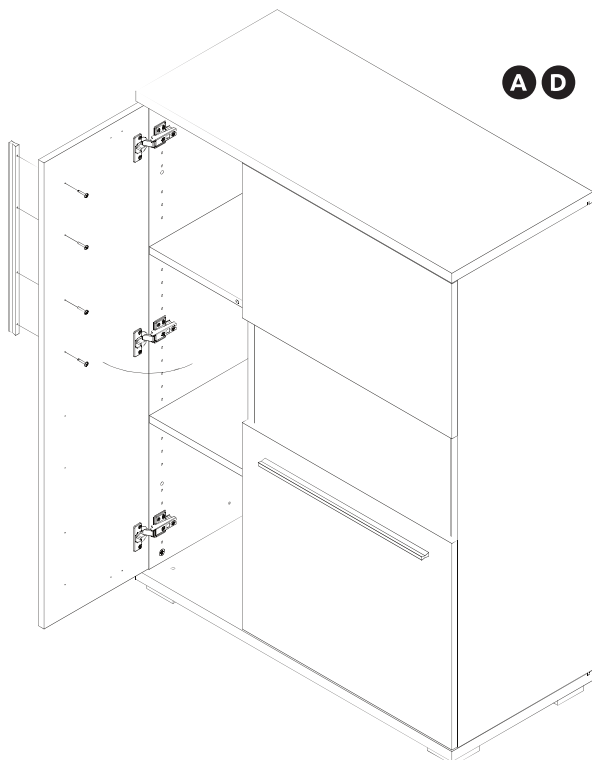
A D



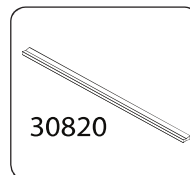
B C



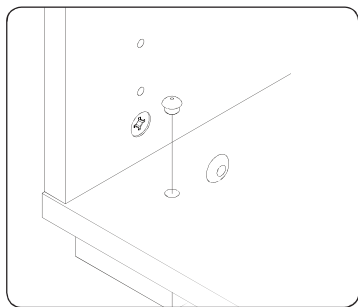
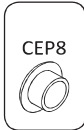
A D



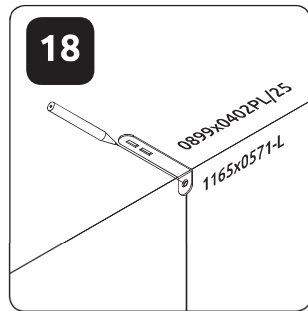
16



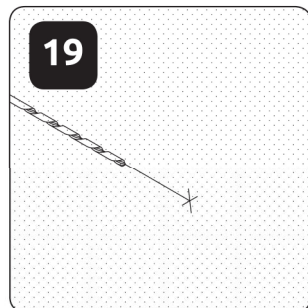
17



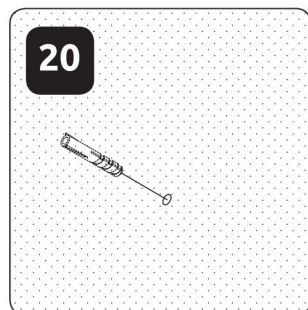
18



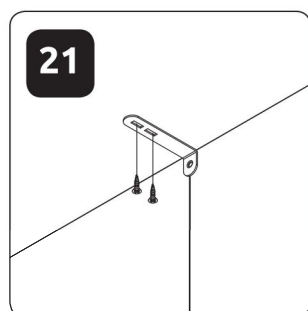
19



20



21



22

