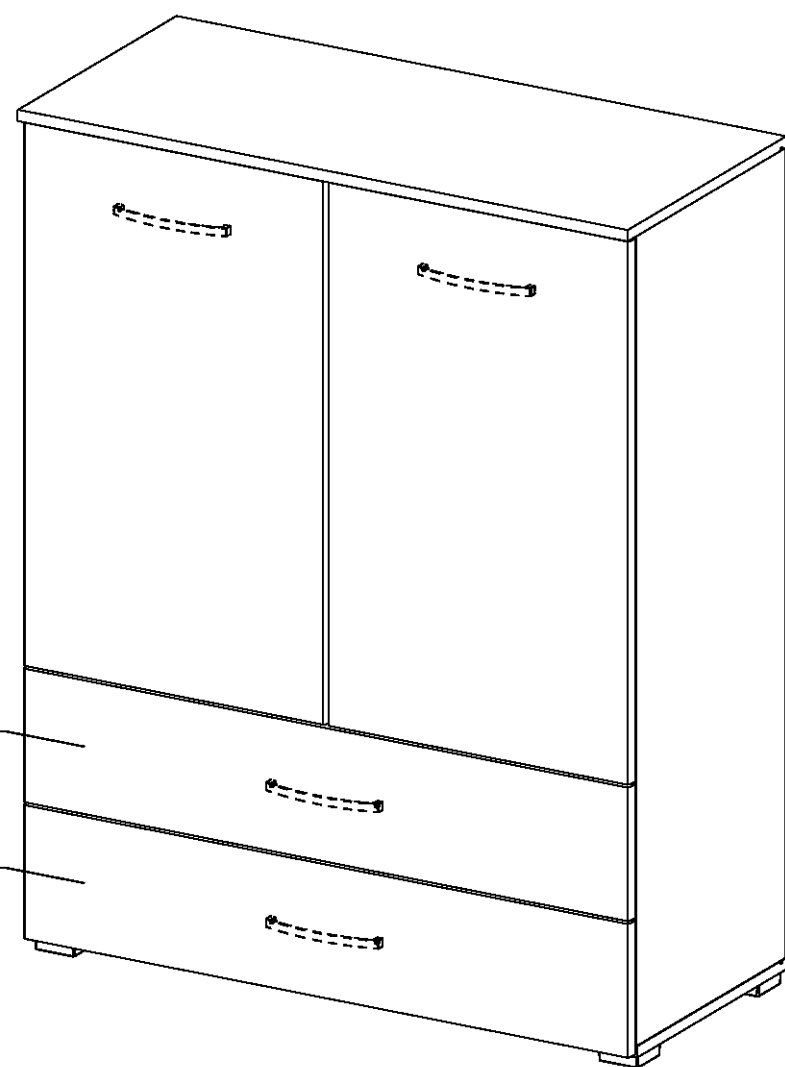
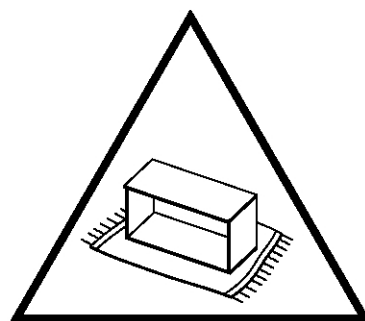
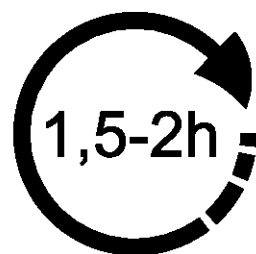
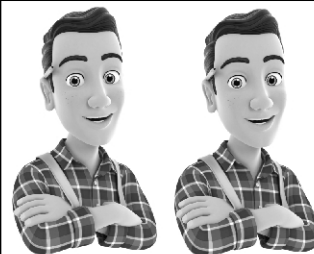
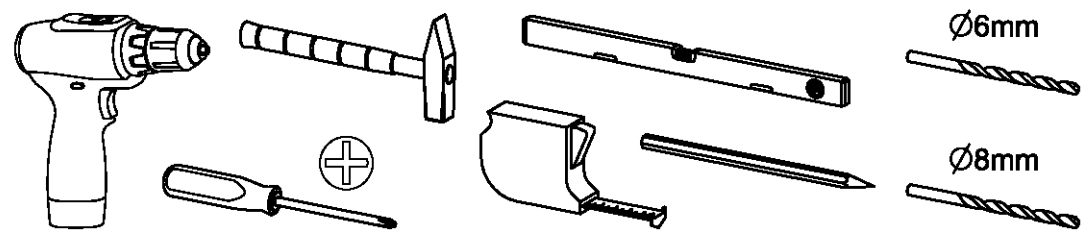


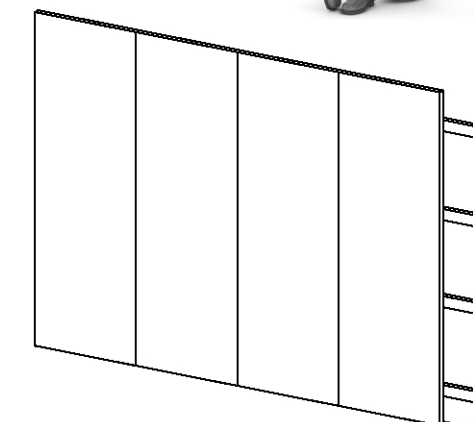
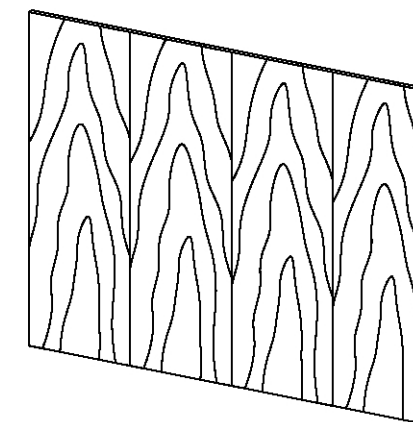
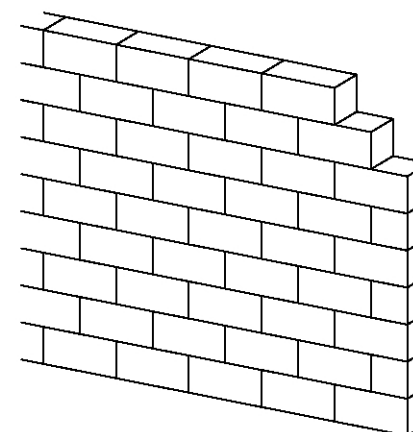
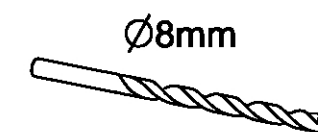
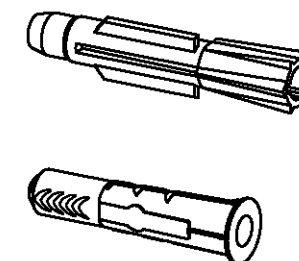
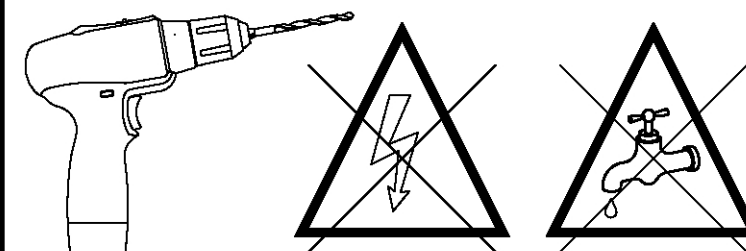
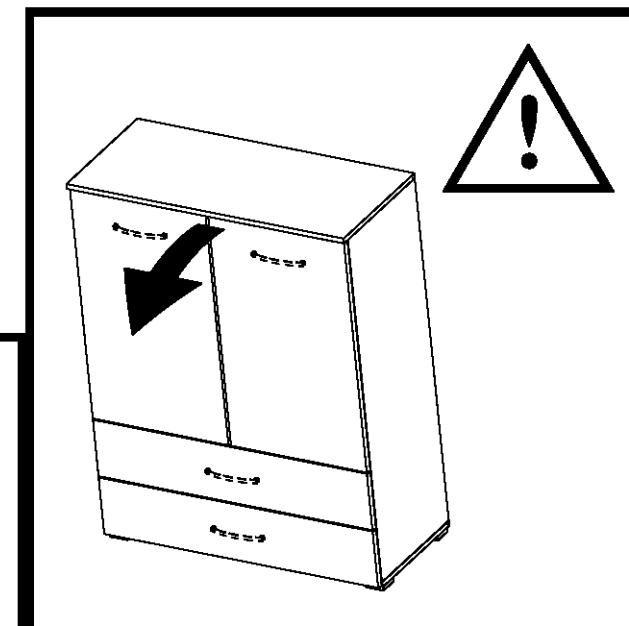
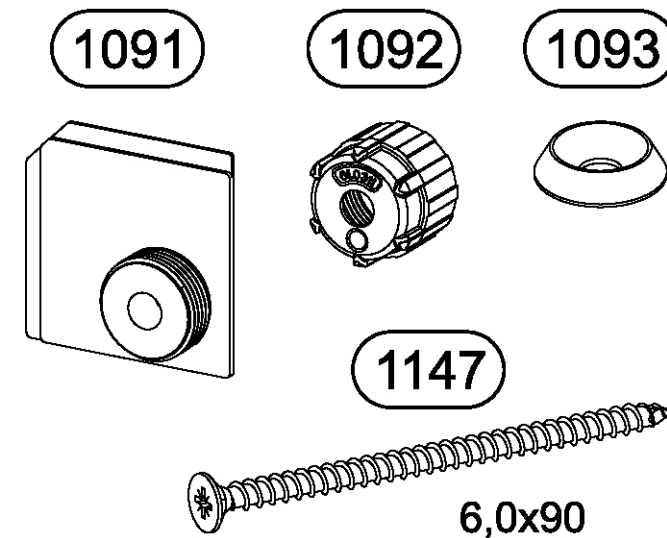
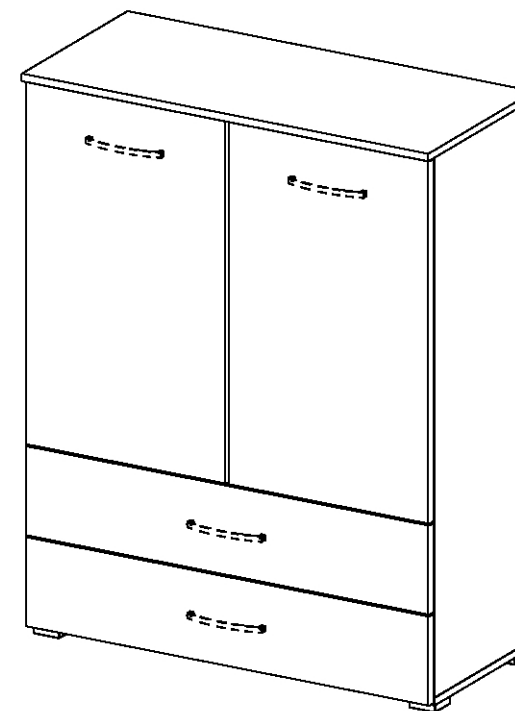
M2618_01

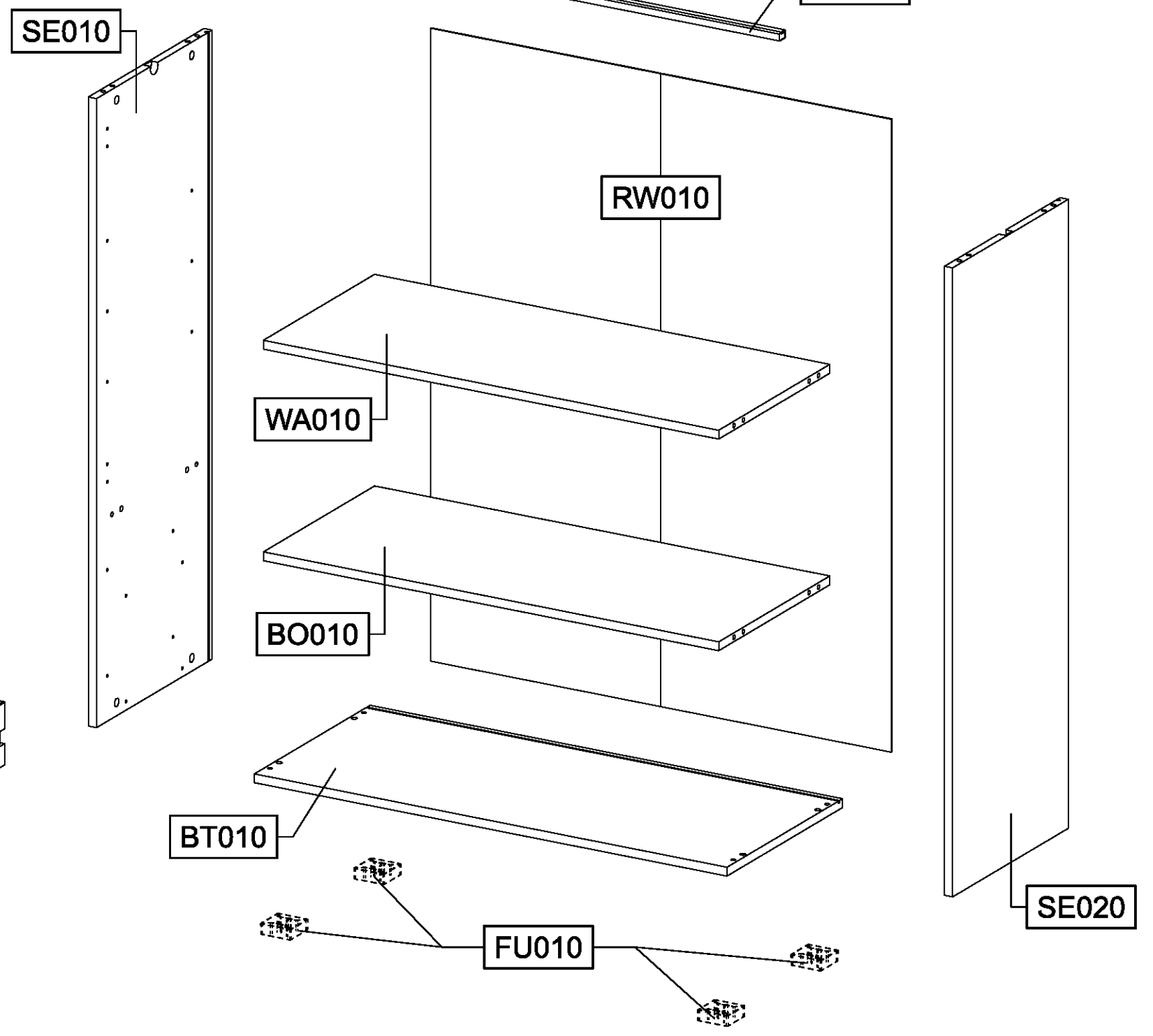
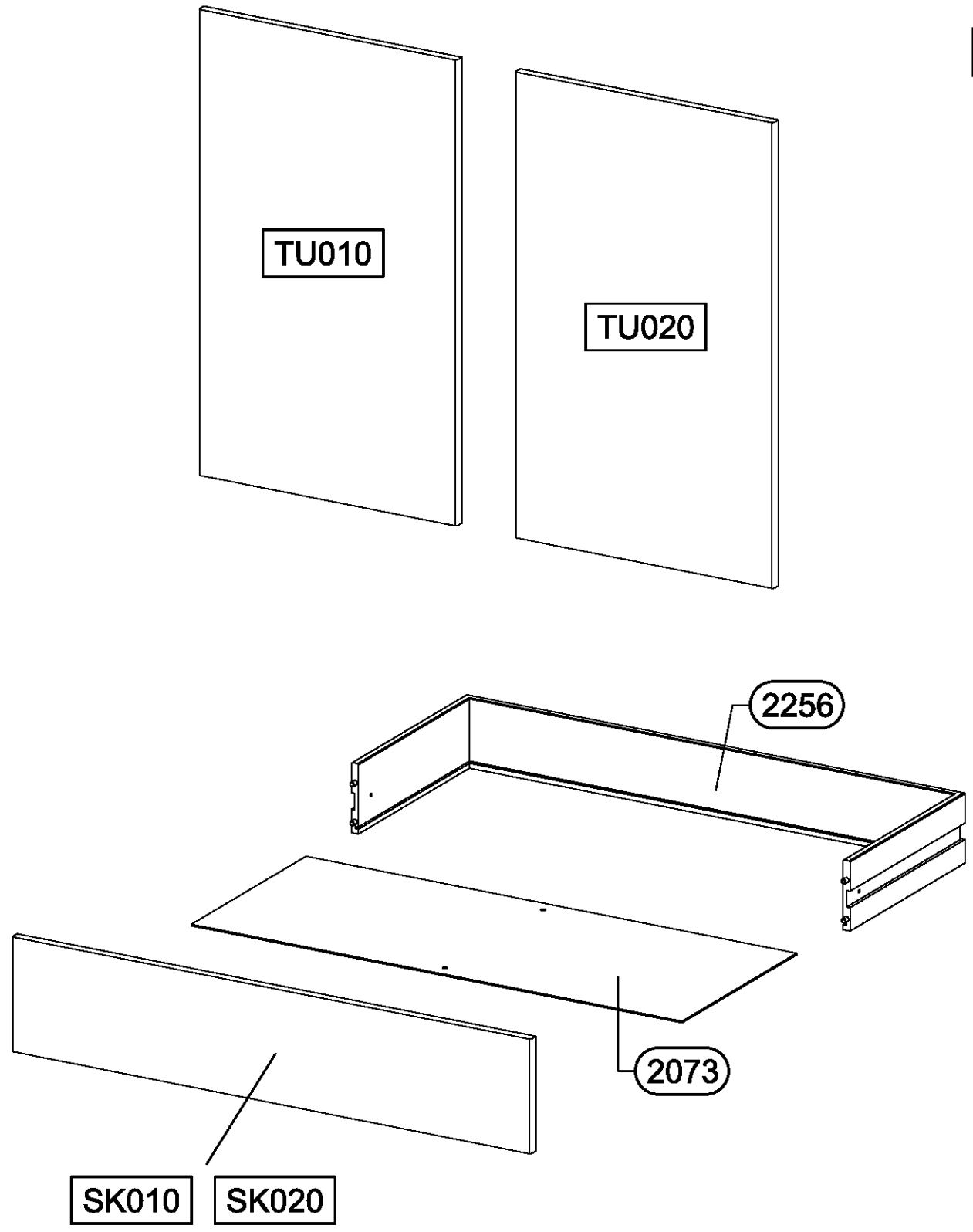
rauch

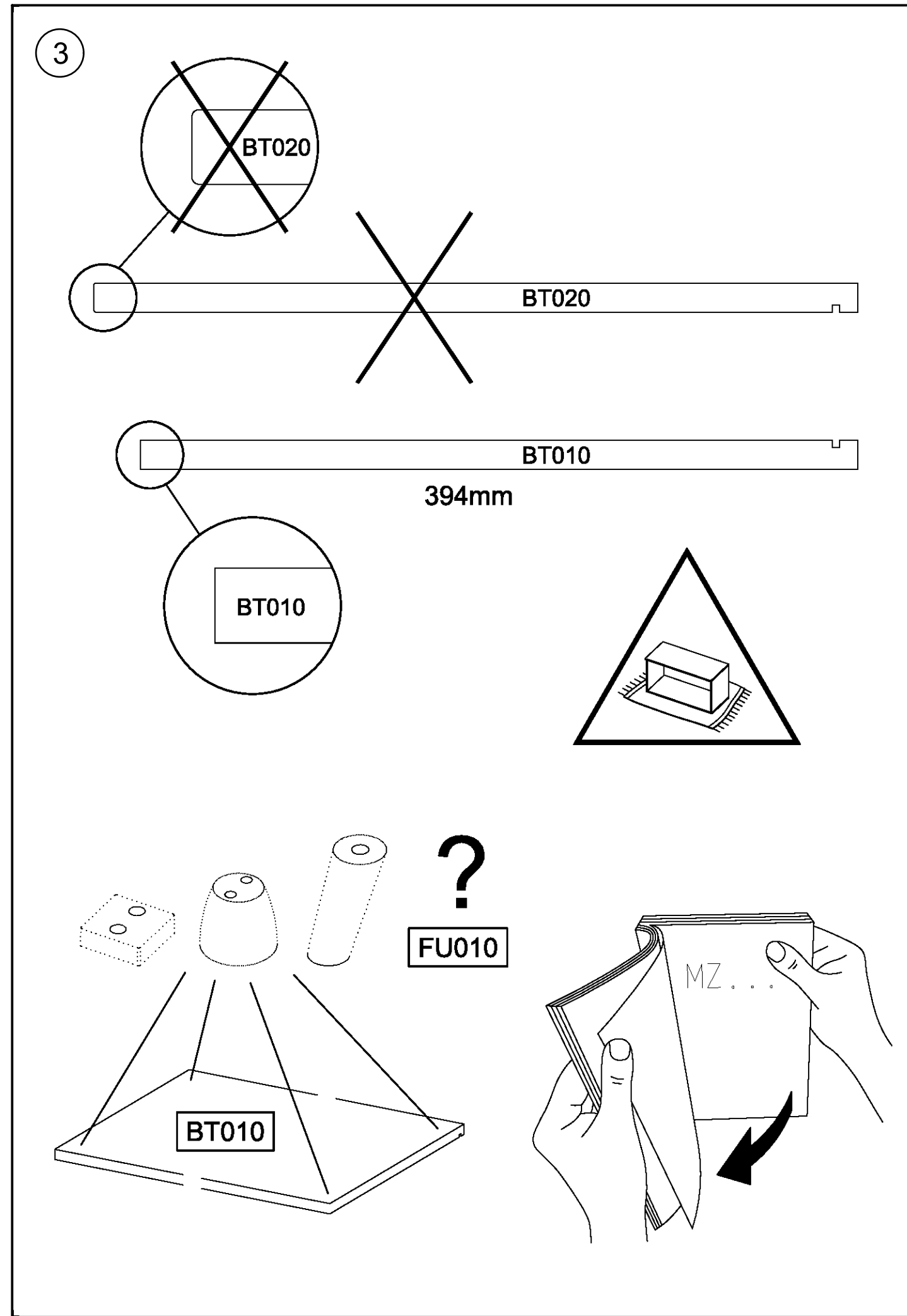
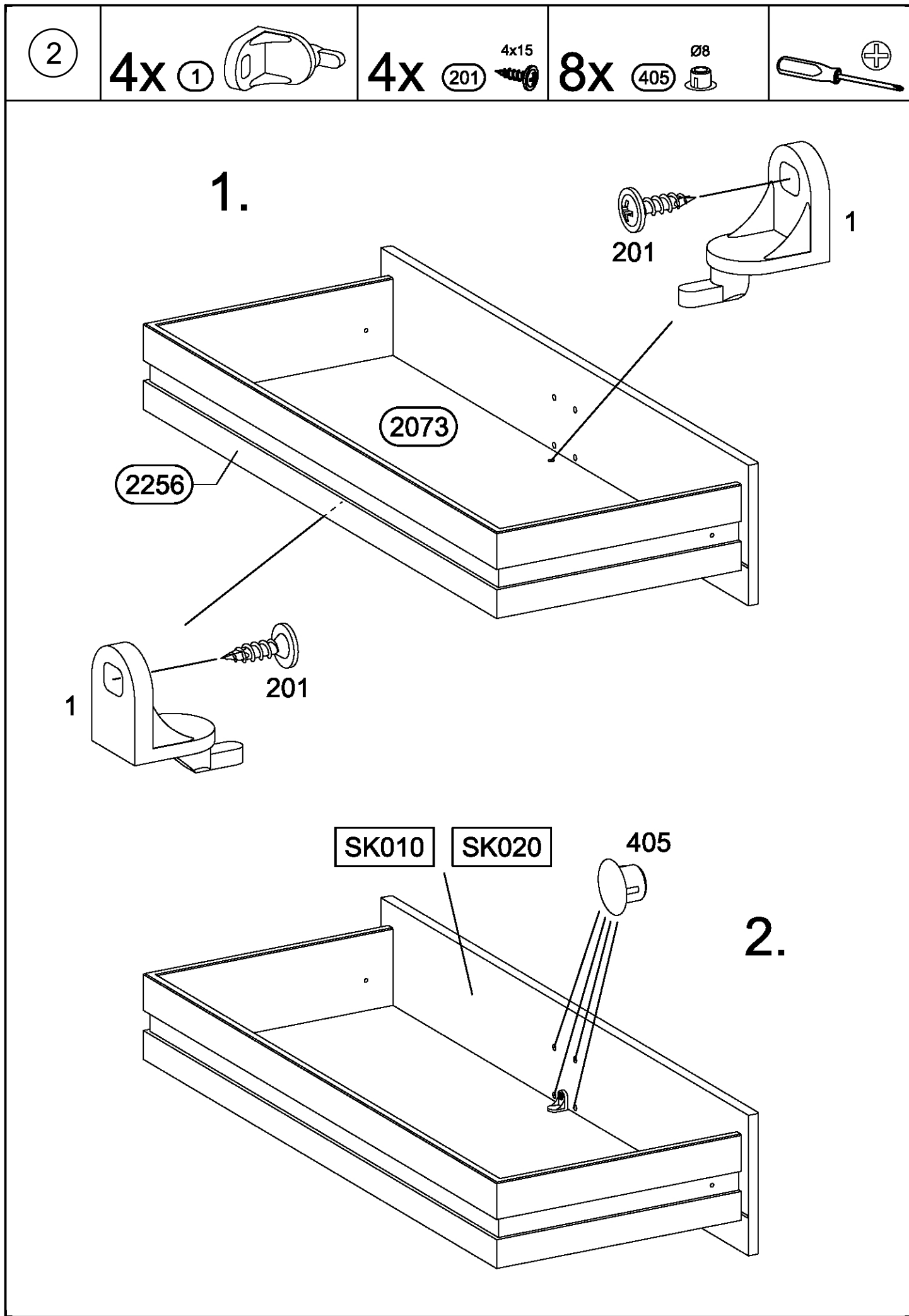


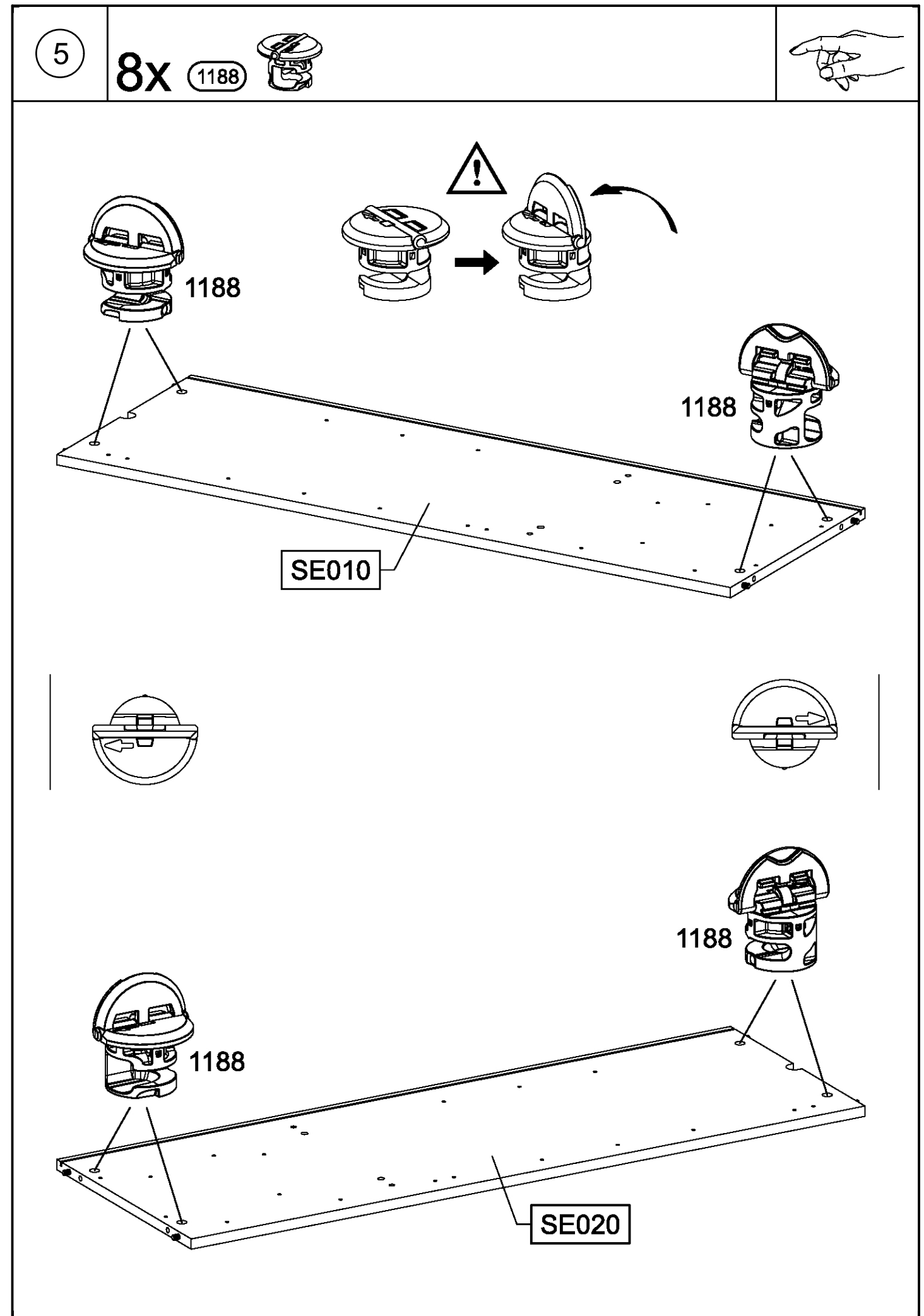
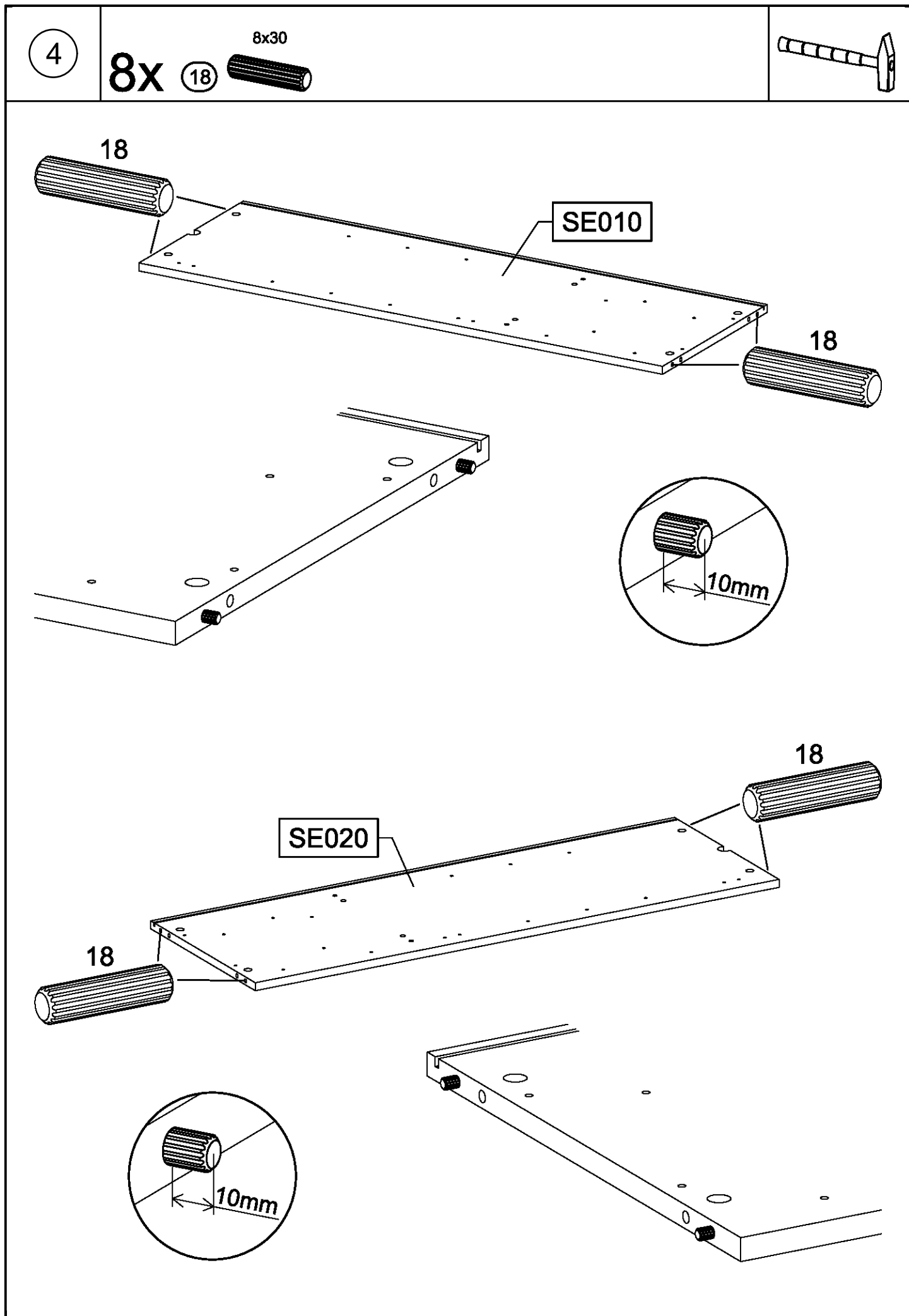
SK020

SK010





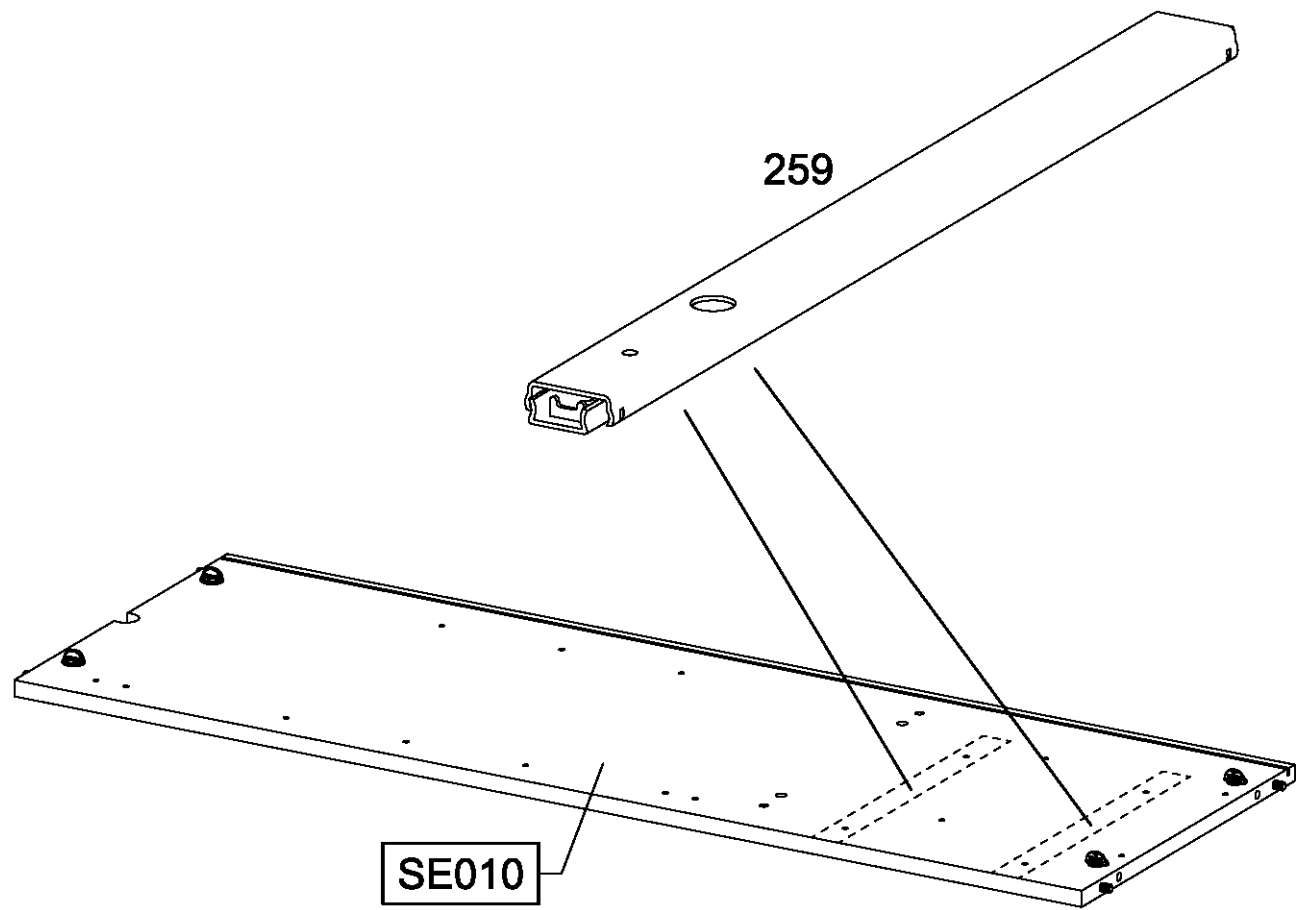
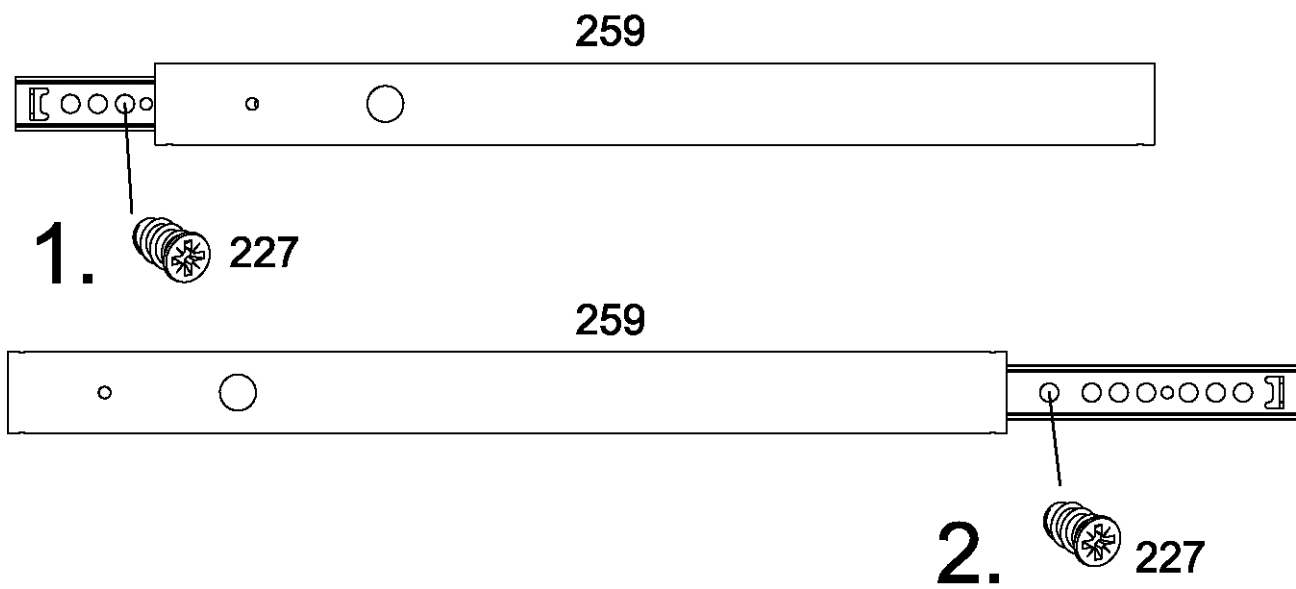
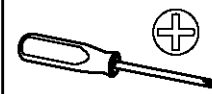
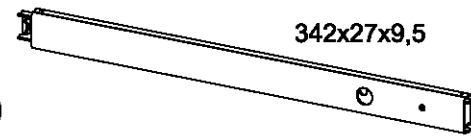




6

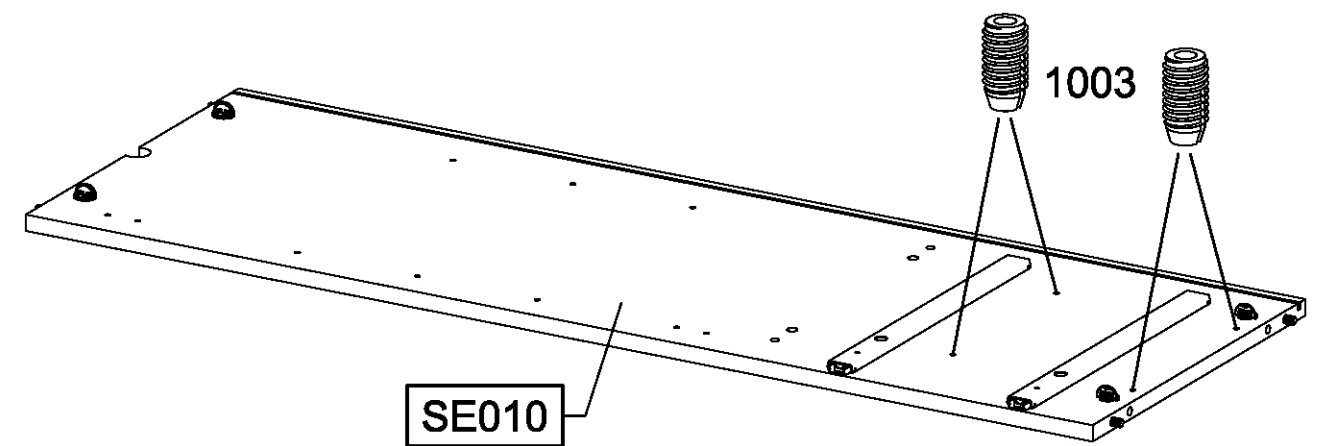
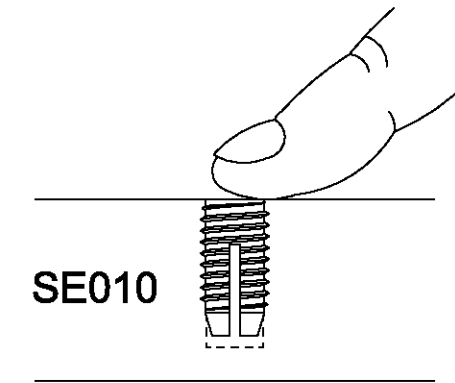
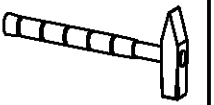
4x 227 6x10,5

2x 259



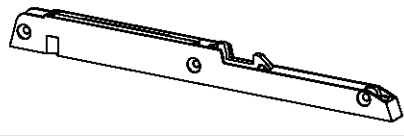
7

4x 1003 6x12

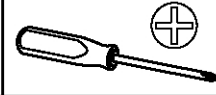


8

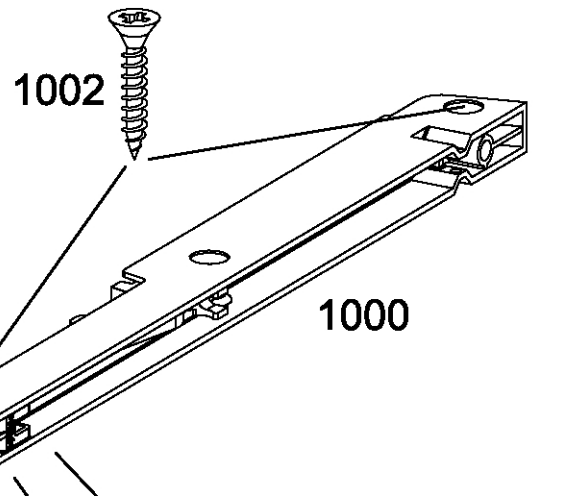
2x 1000



6x 1002



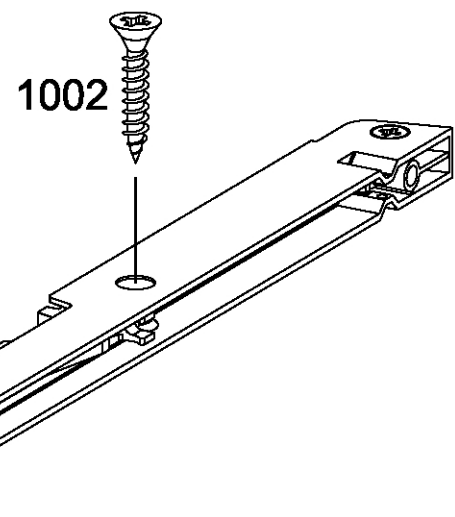
1.



1000

SE010

2.



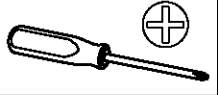
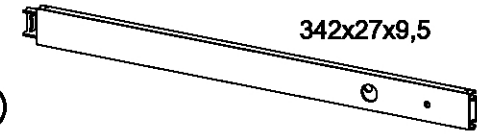
1002

9

4x 227



2x 259

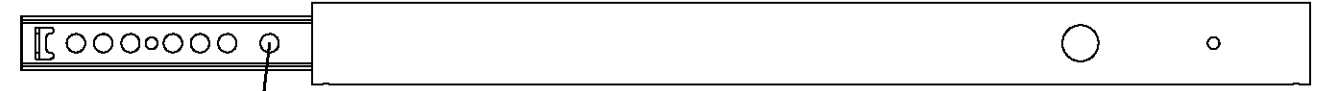


259



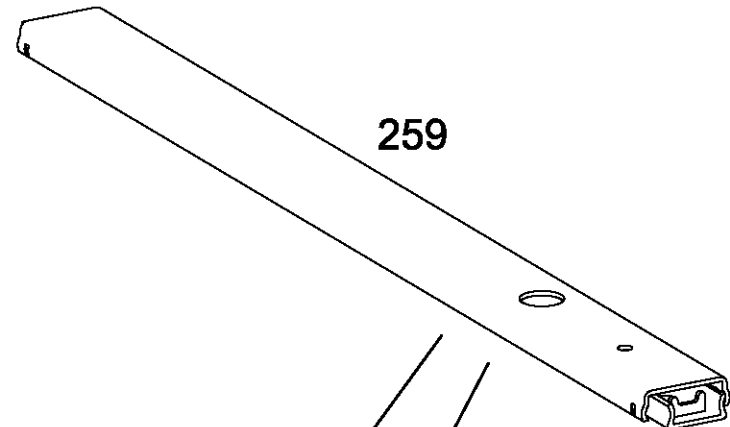
227 1.

259



227 2.

259



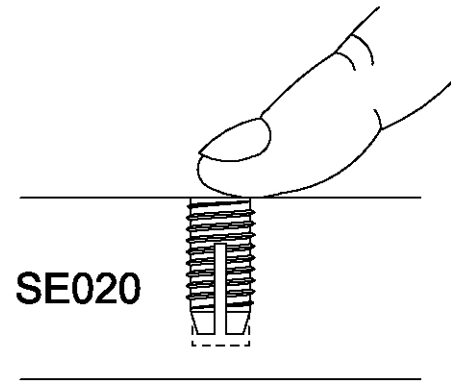
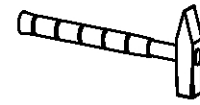
SE020

10

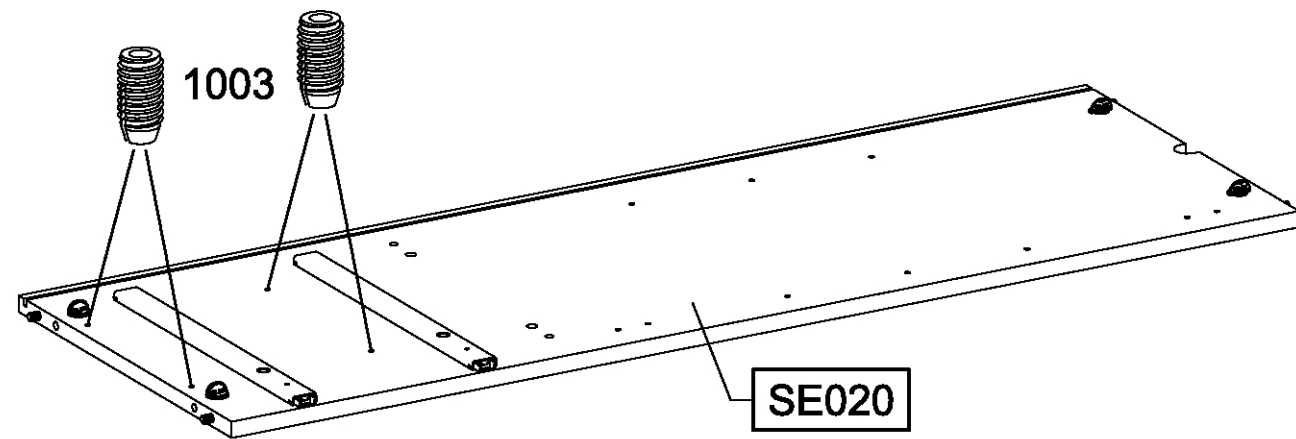
4x

1003

6x12



SE020



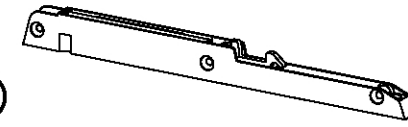
1003

SE020

11

2x

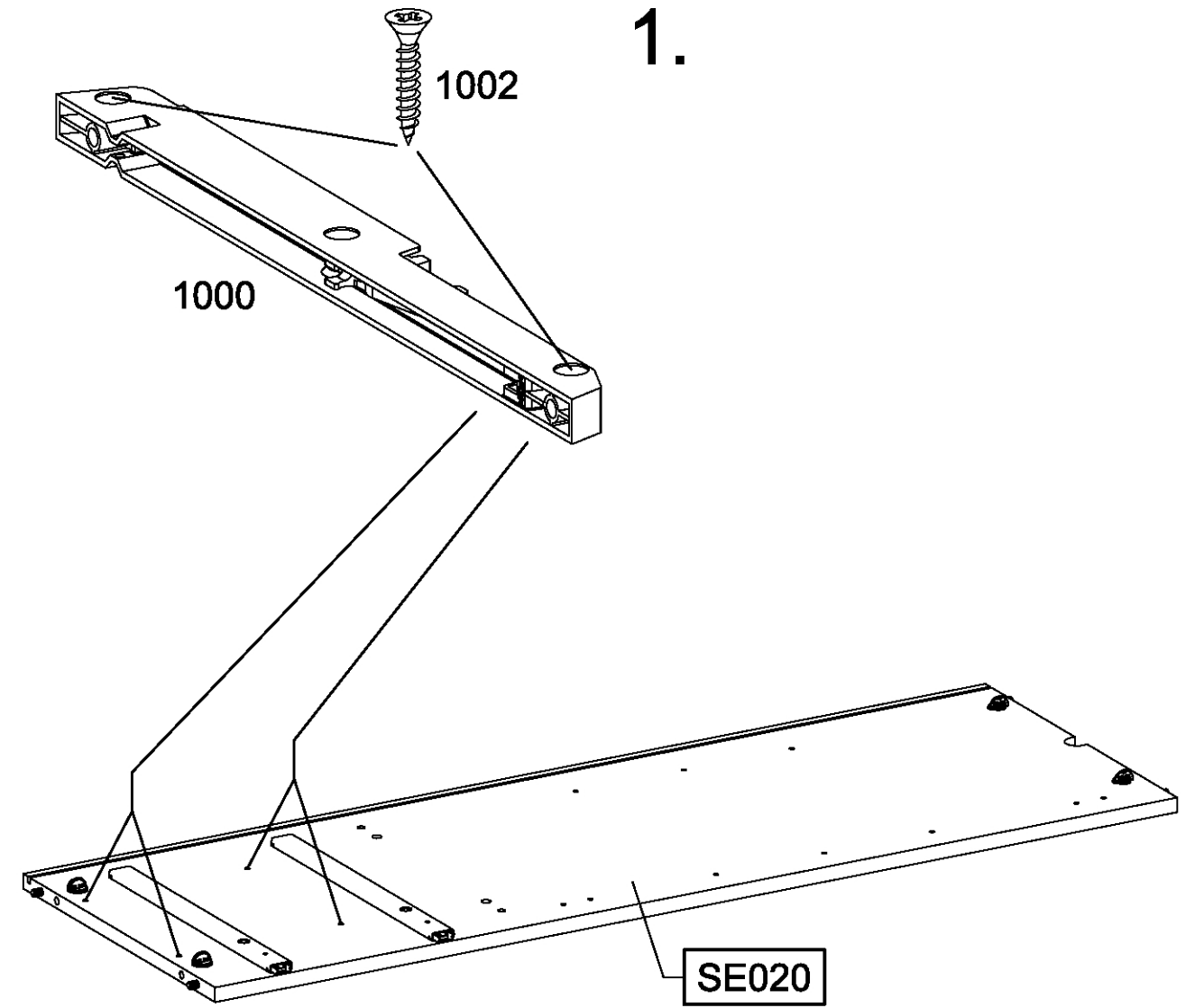
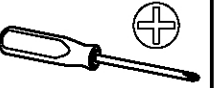
1000



6x

1002

3,5x20

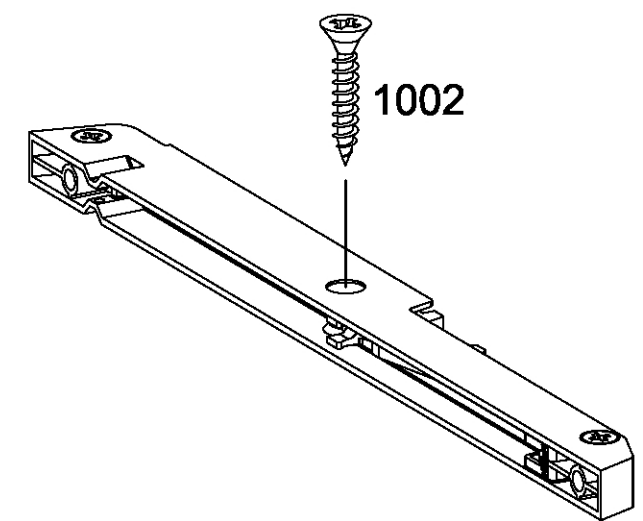


1.

1002

1000

SE020



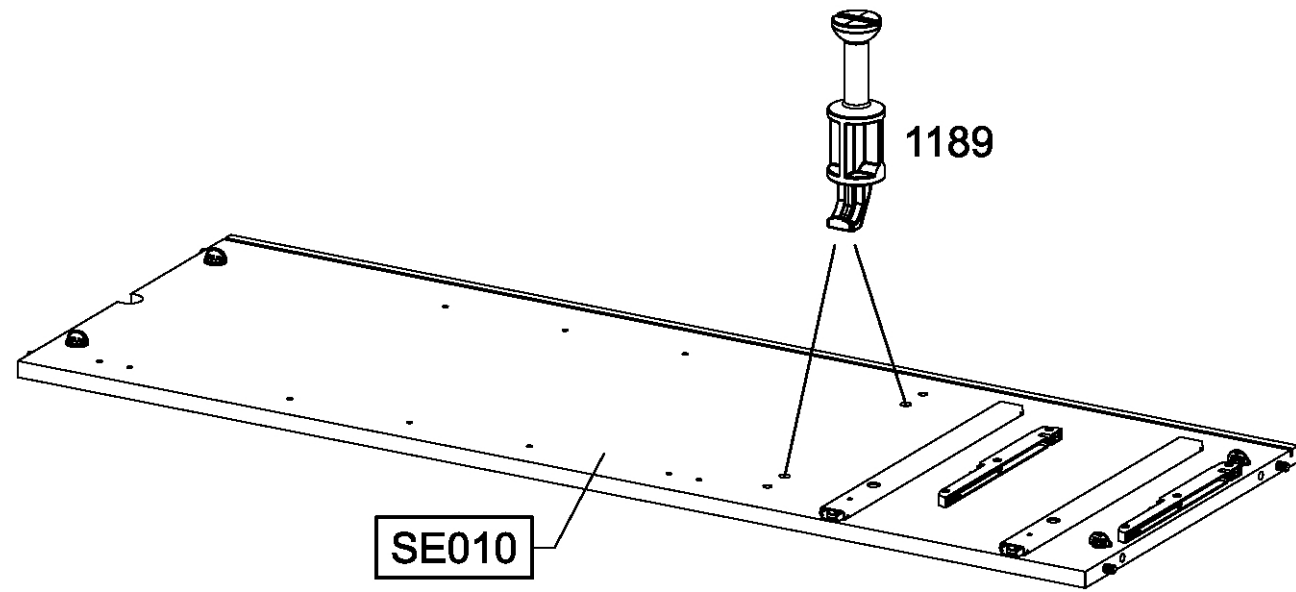
2.

1002

12

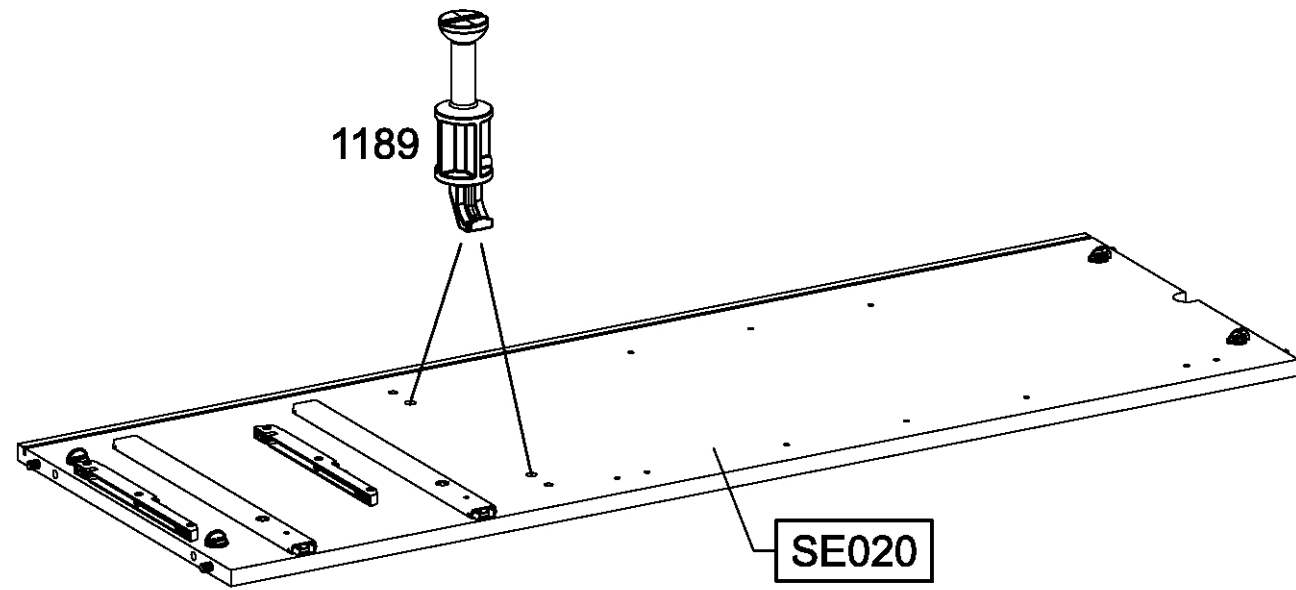
4x

1189



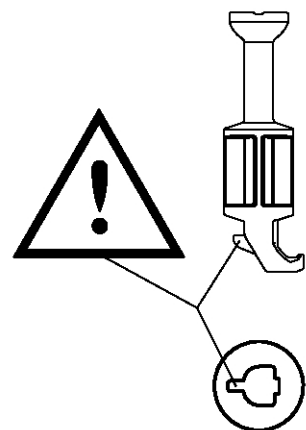
SE010

1189

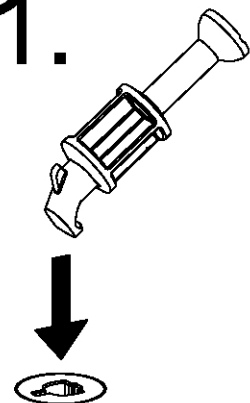


1189

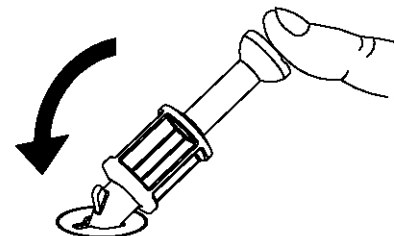
SE020



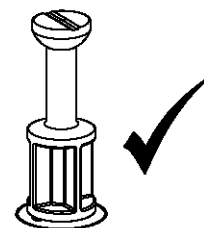
1.



2.



3.

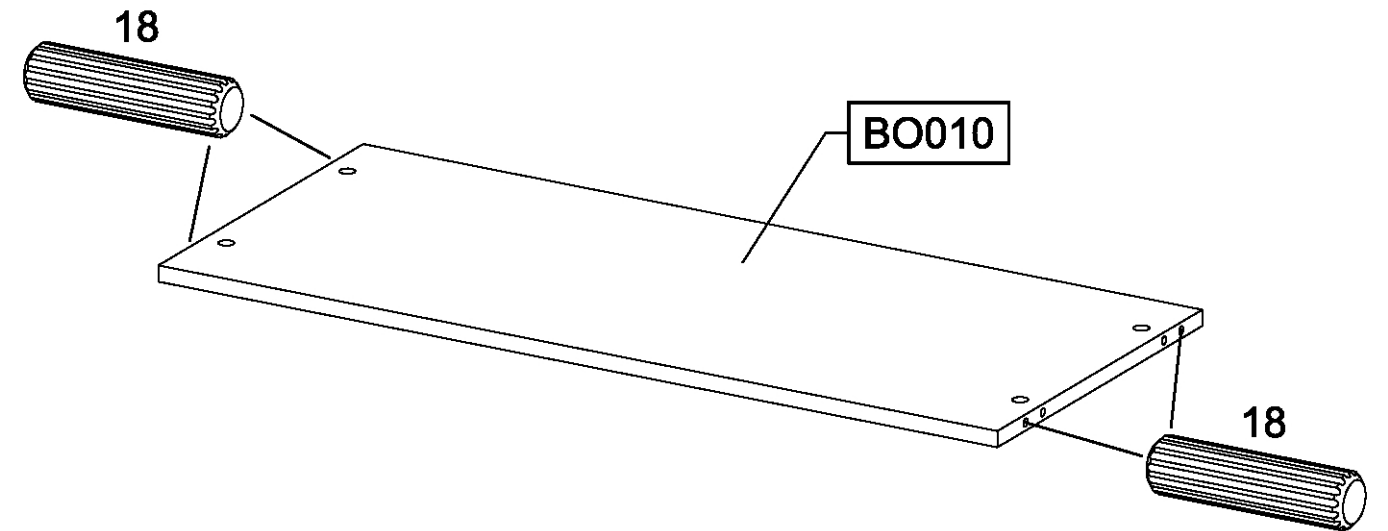
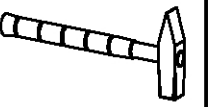


13

4x

18

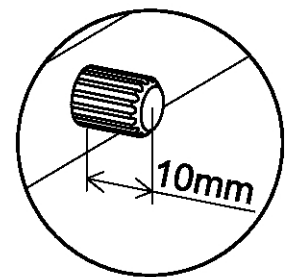
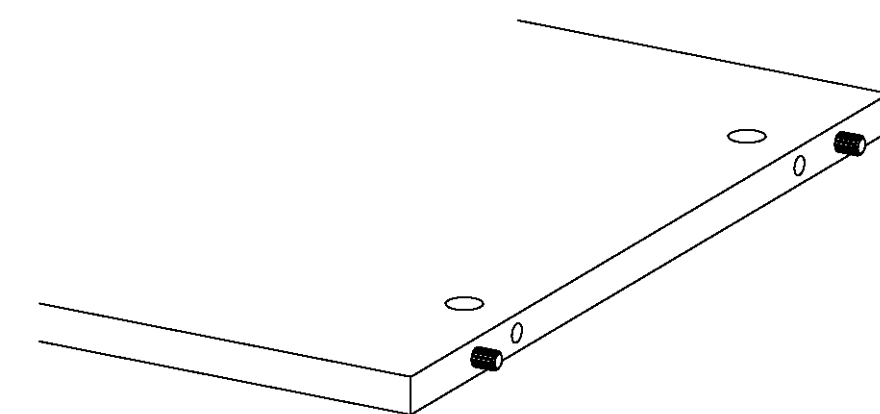
8x30



18

BO010

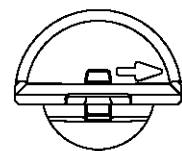
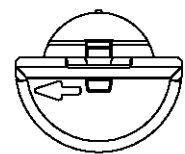
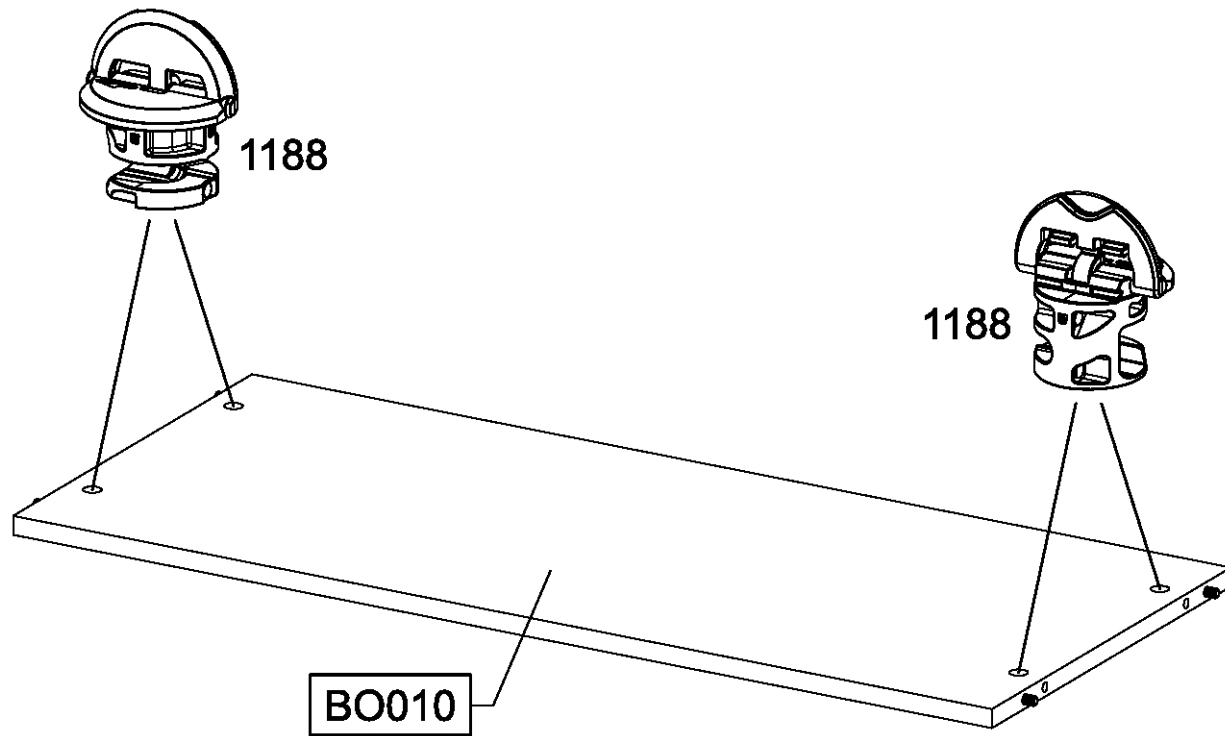
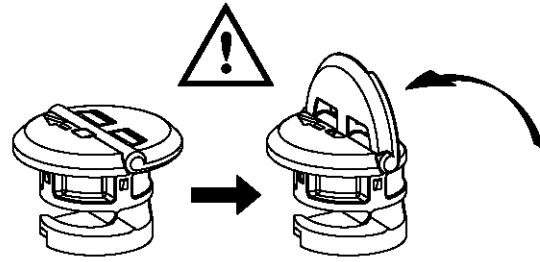
18



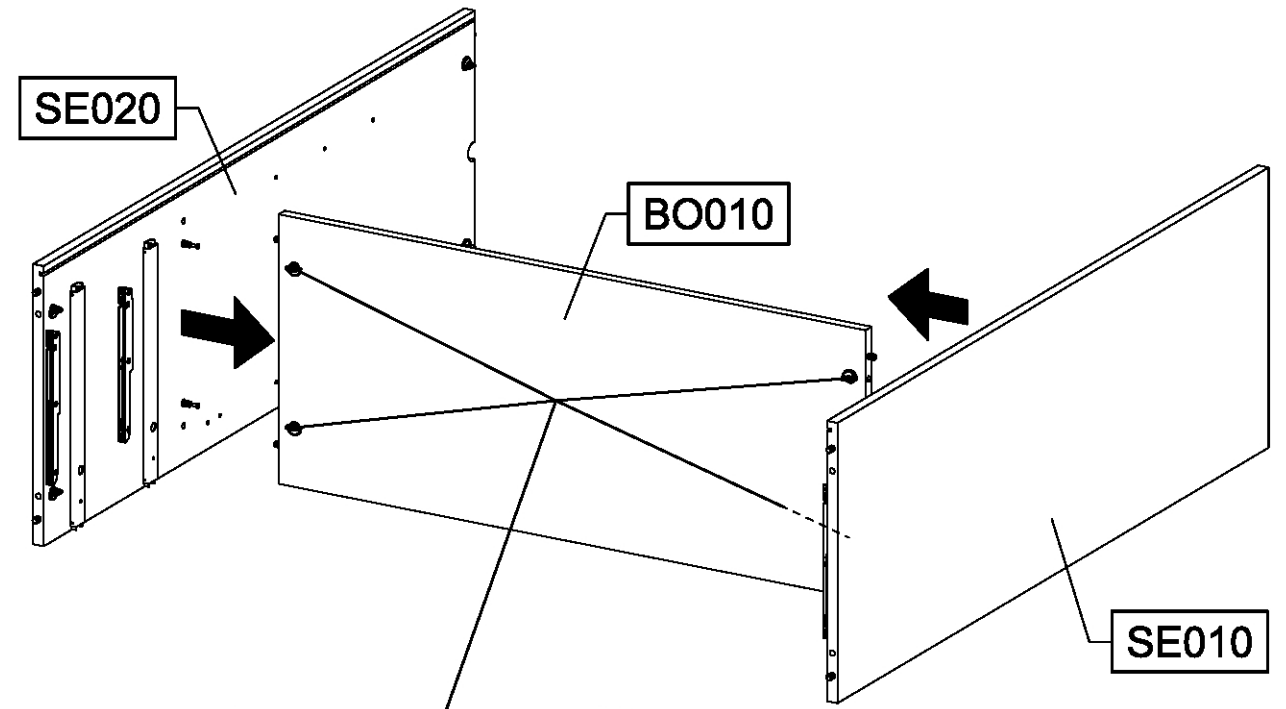
10mm

14

4x 1188

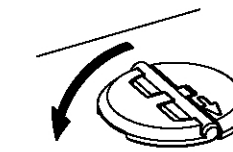
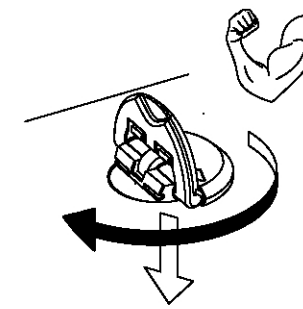


15



1.

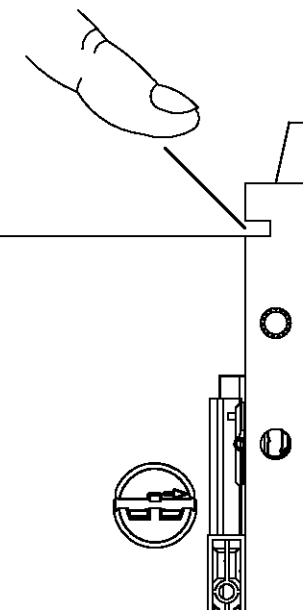
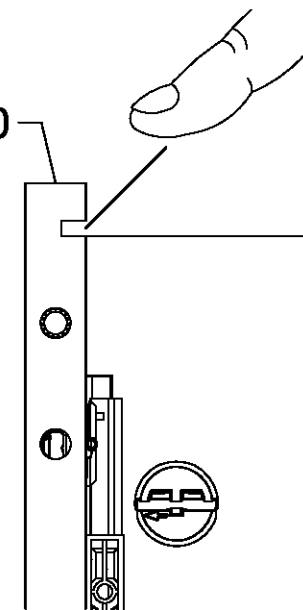
2.



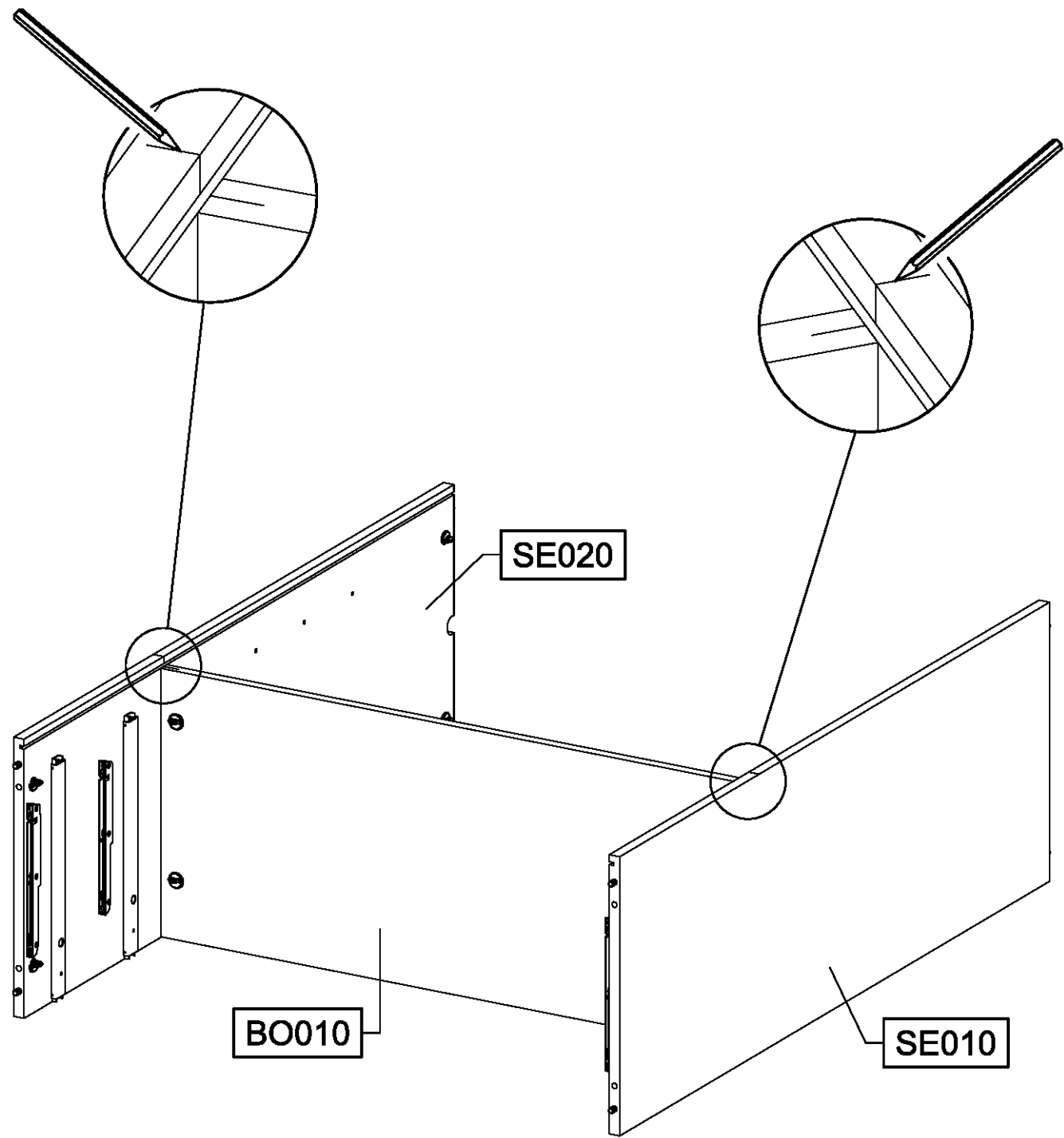
SE020

SE010

BO010



16



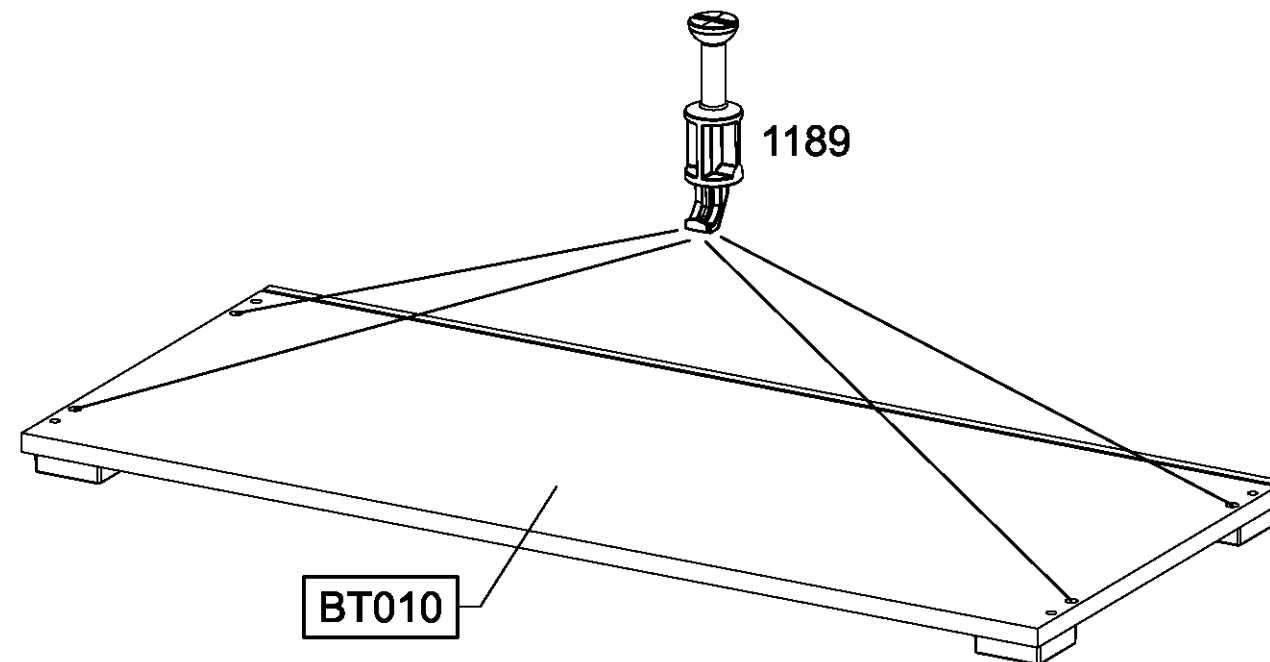
SE020

BO010

SE010

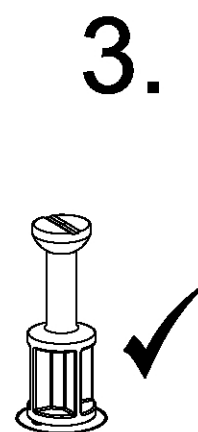
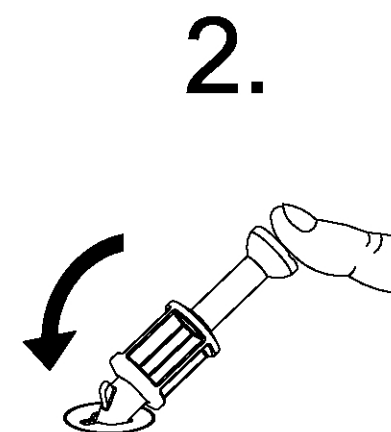
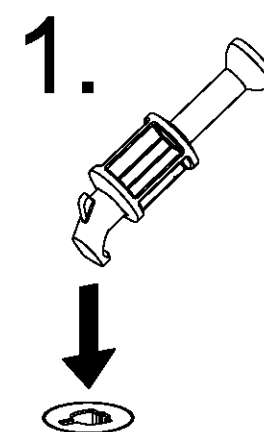
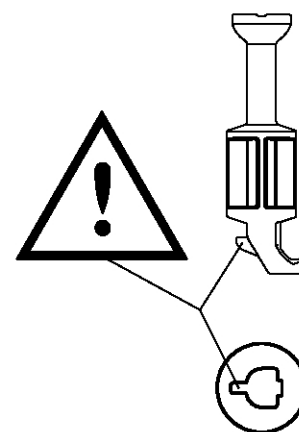
17

4x 1189

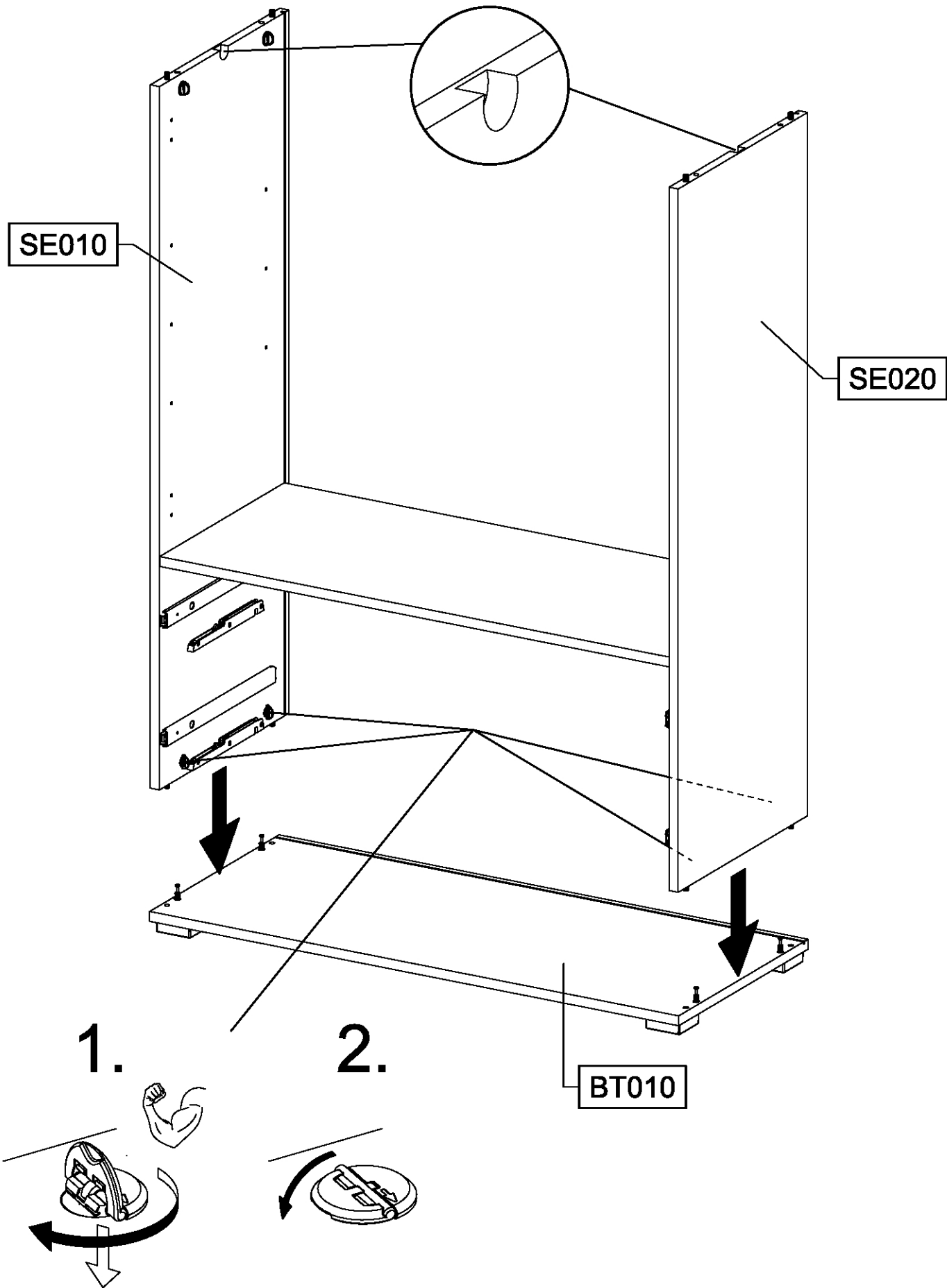


BT010

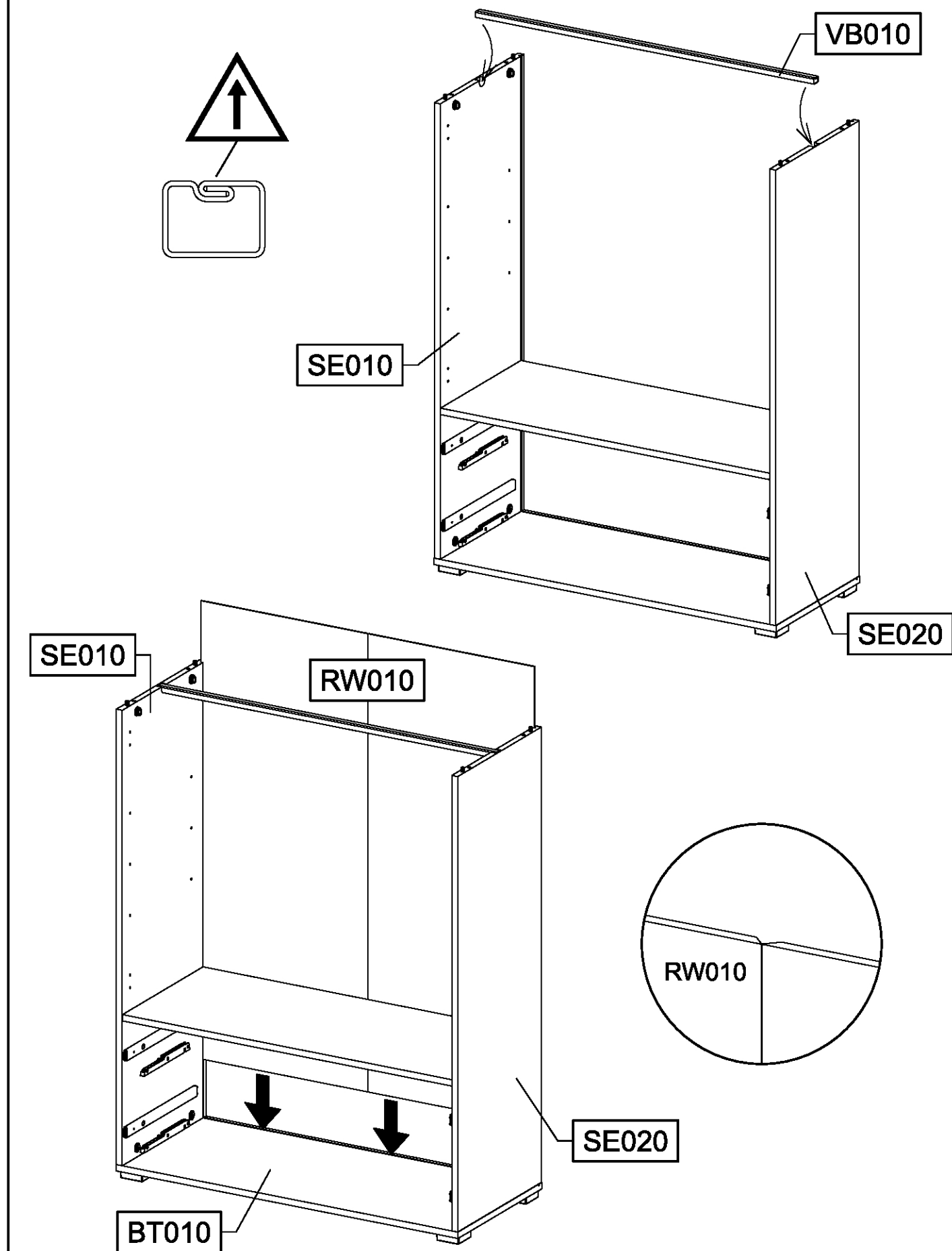
1189



18

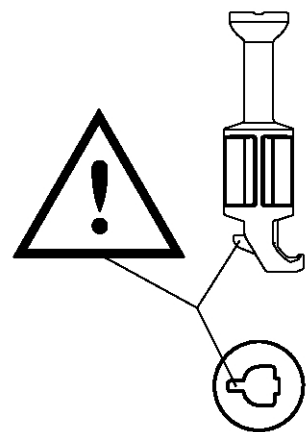
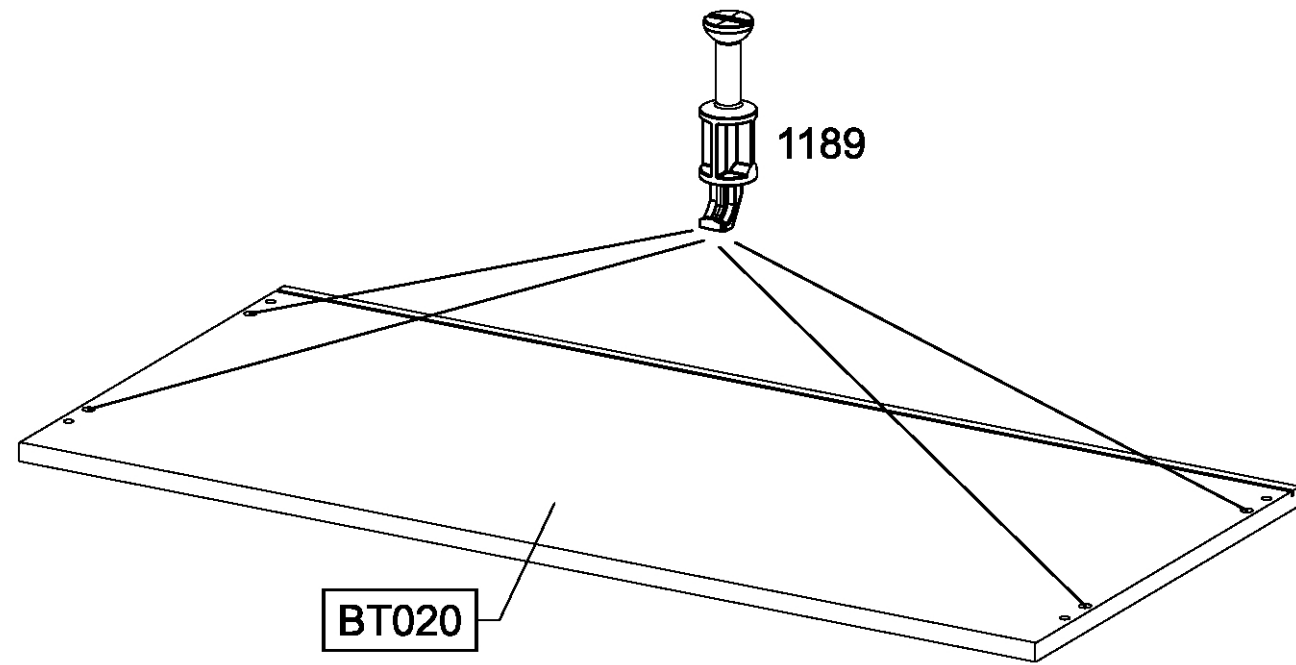


19

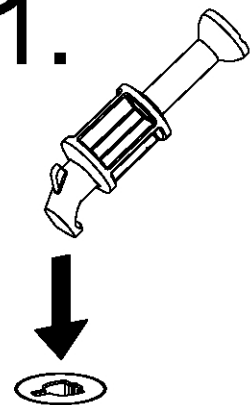


20

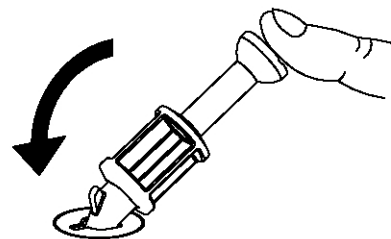
4x 1189



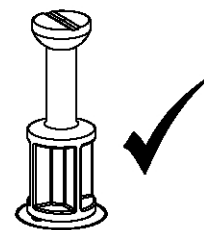
1.



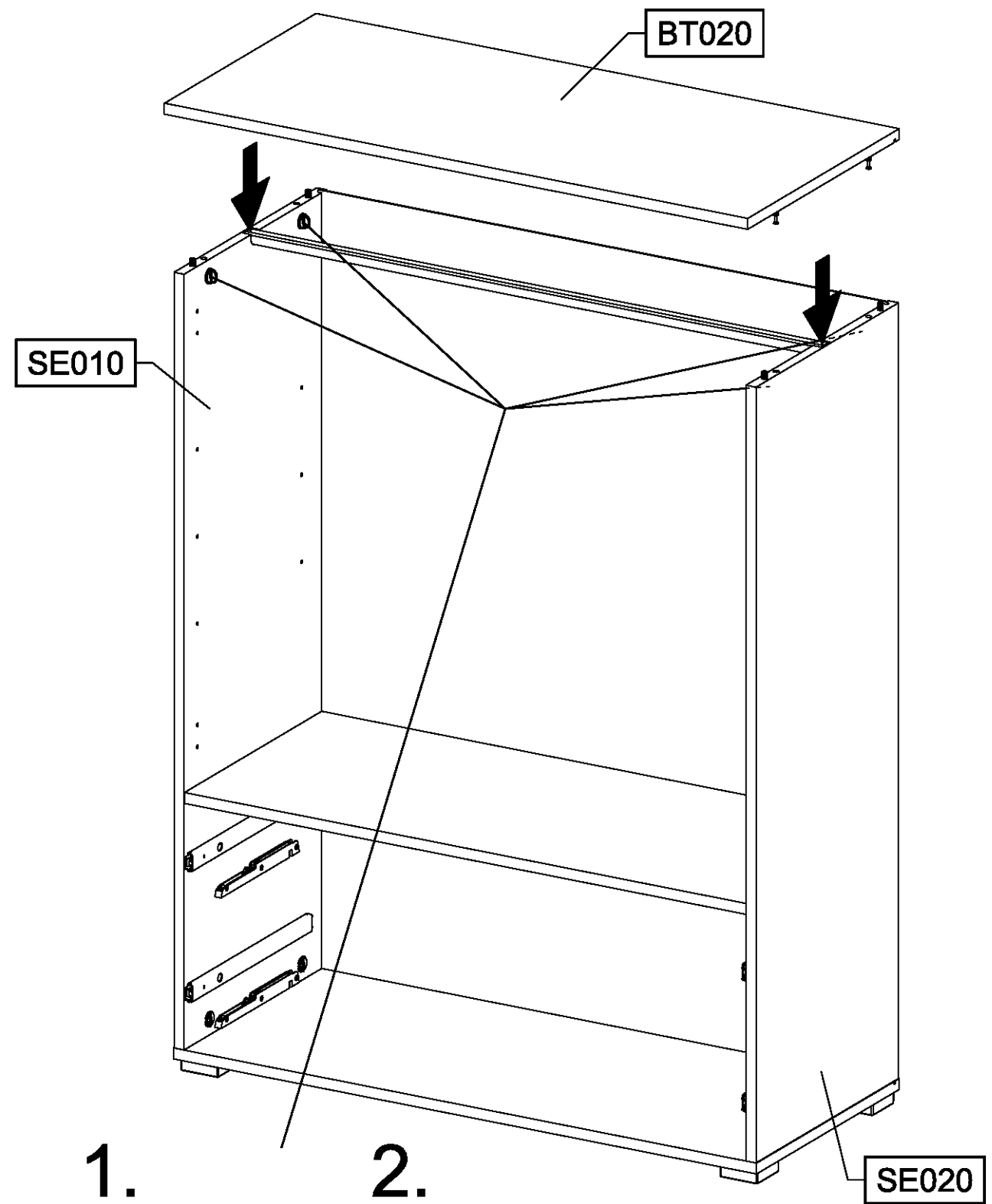
2.



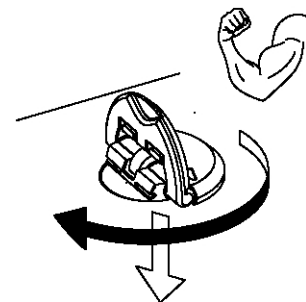
3.



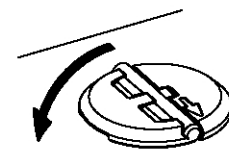
21



1.



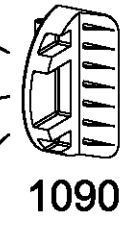
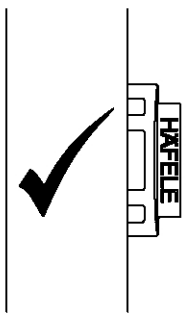
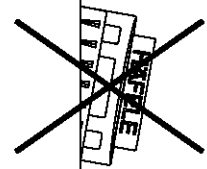
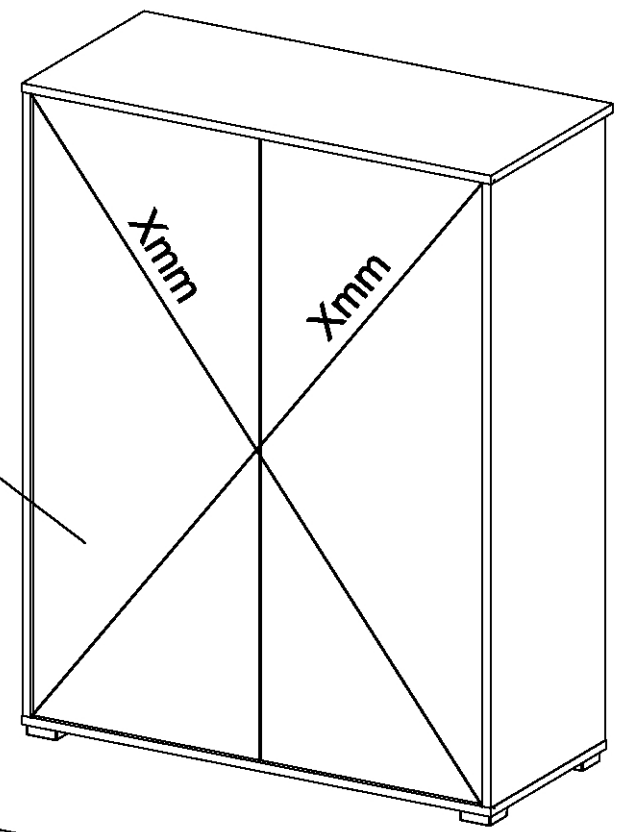
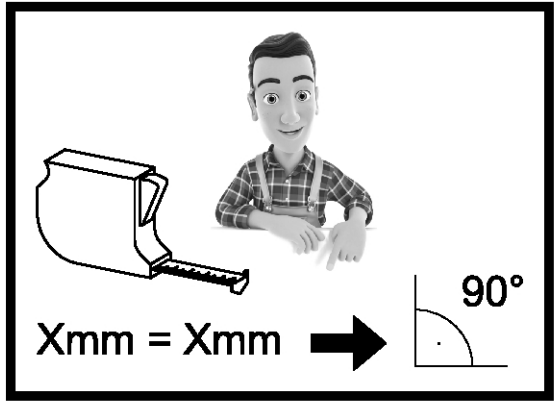
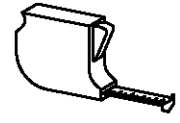
2.



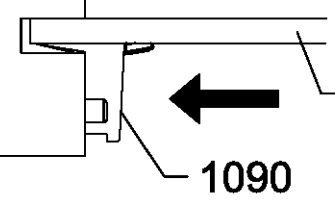
22

6x

1090



SE010
SE020



RW010

RW010

23

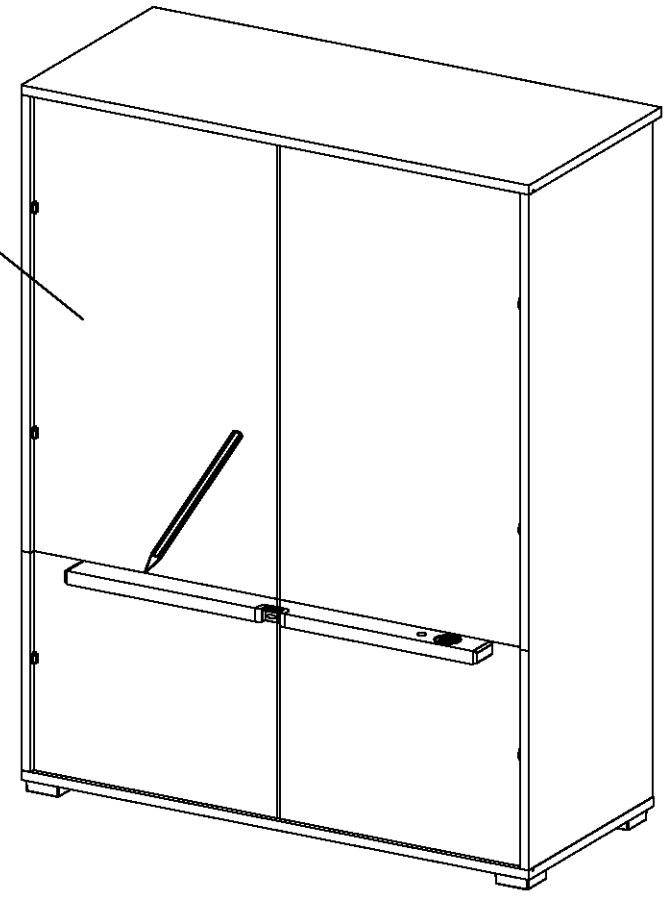
6x

215

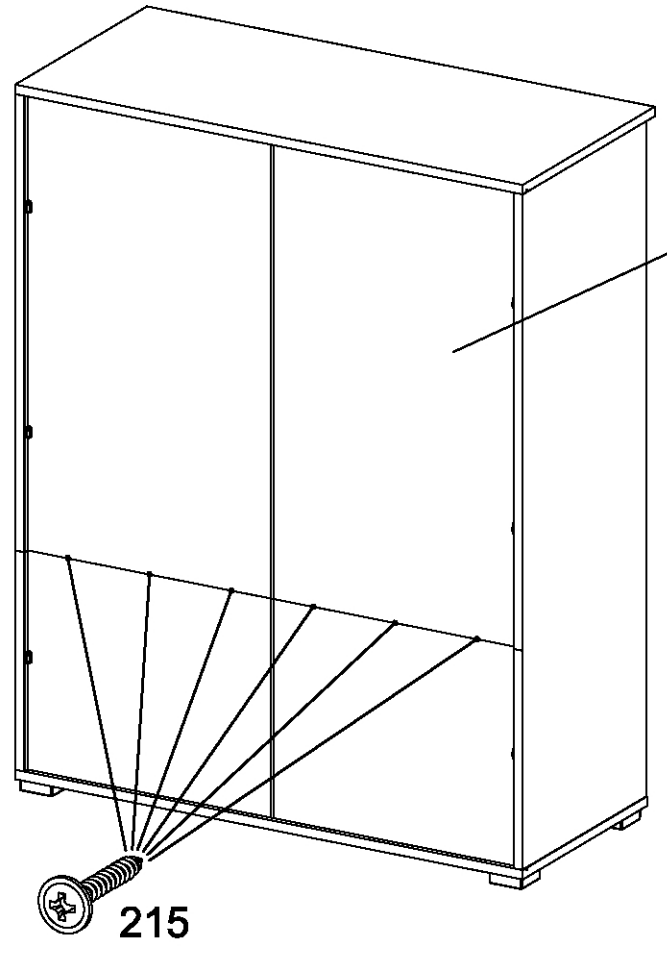
3x20



1.



2.

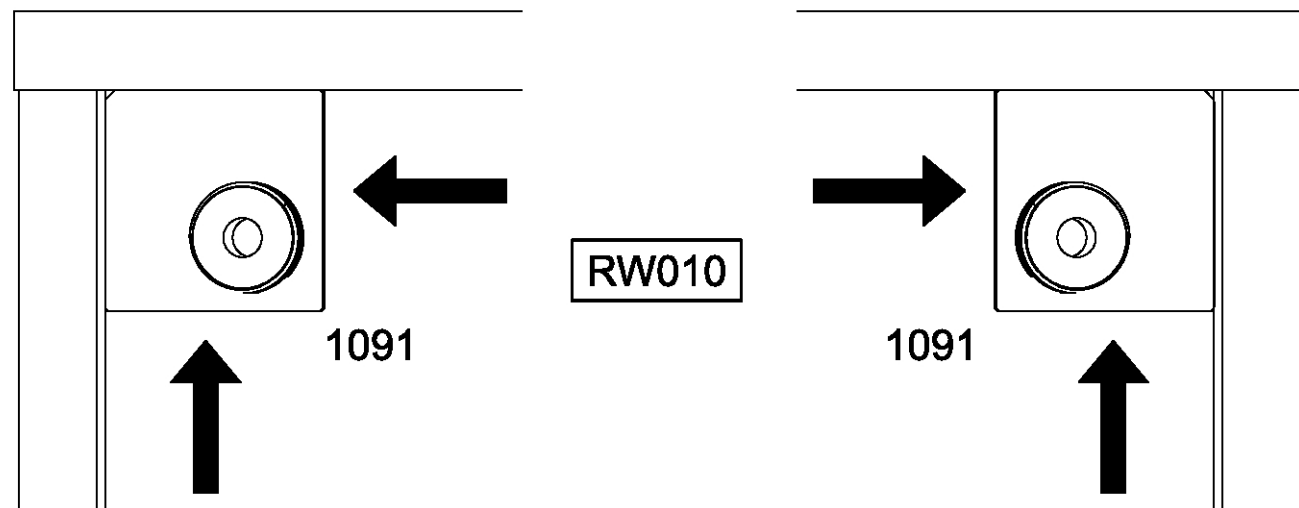
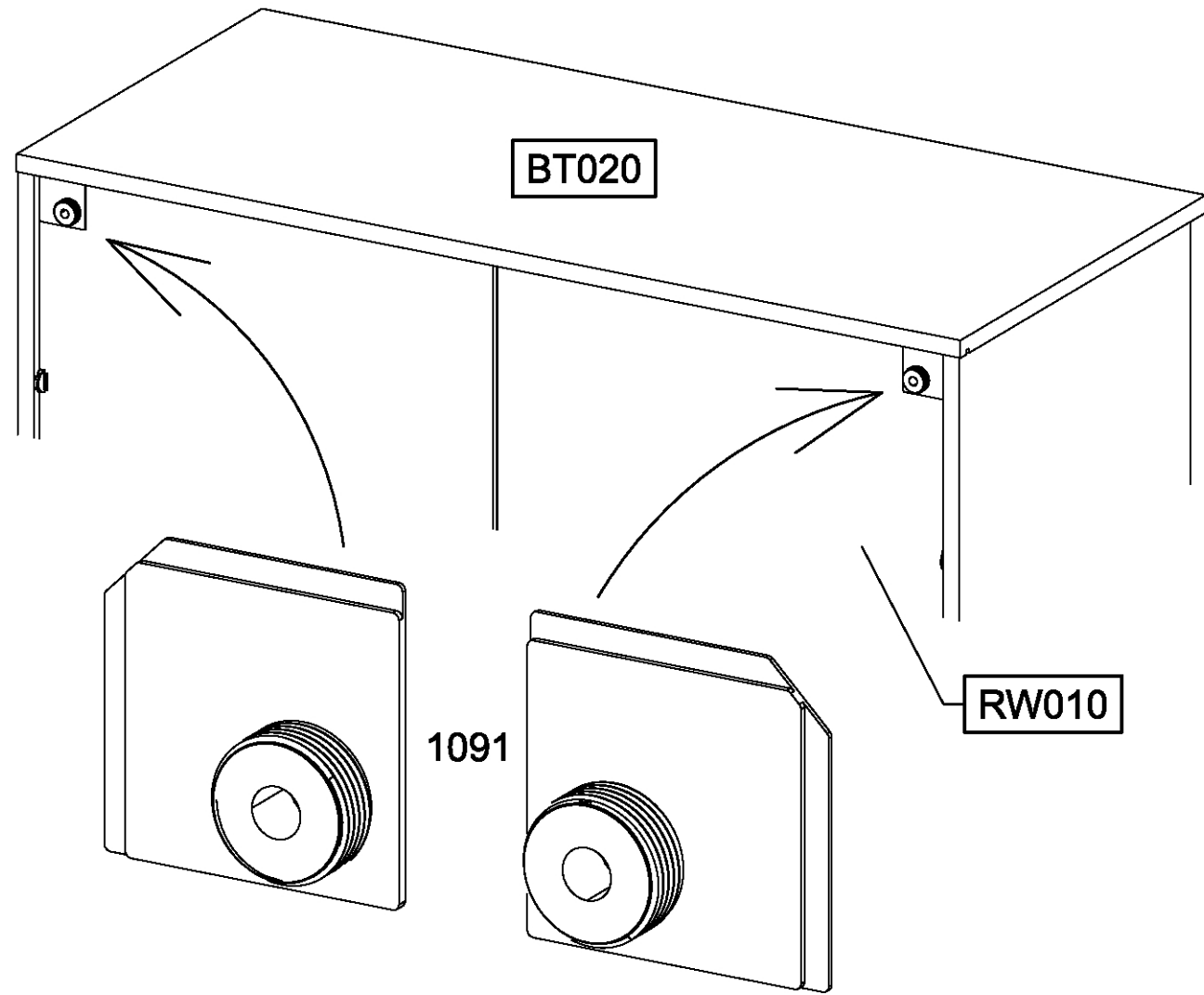
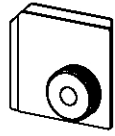


RW010

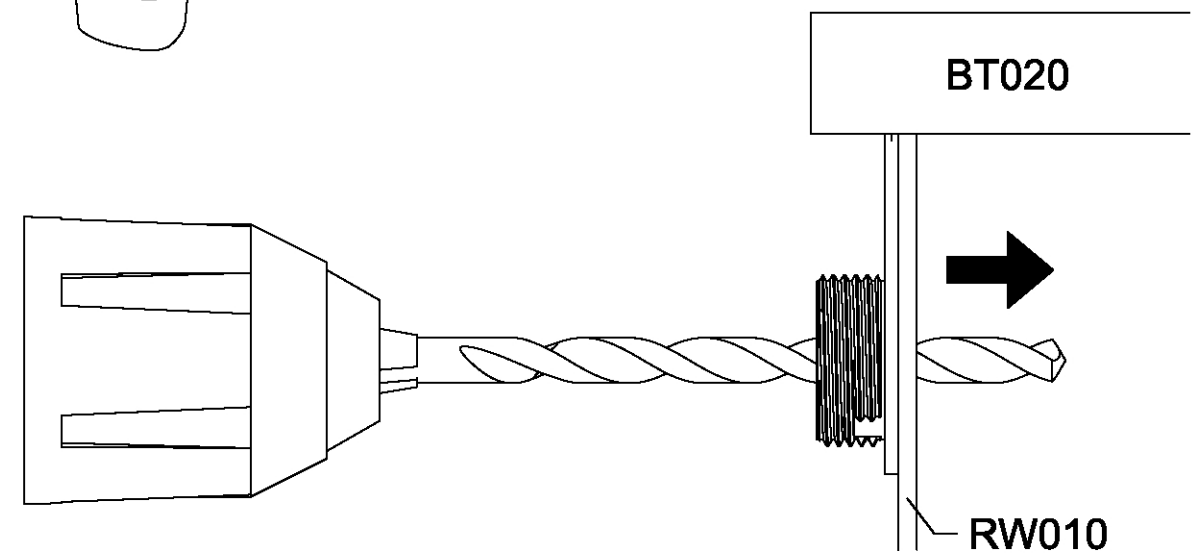
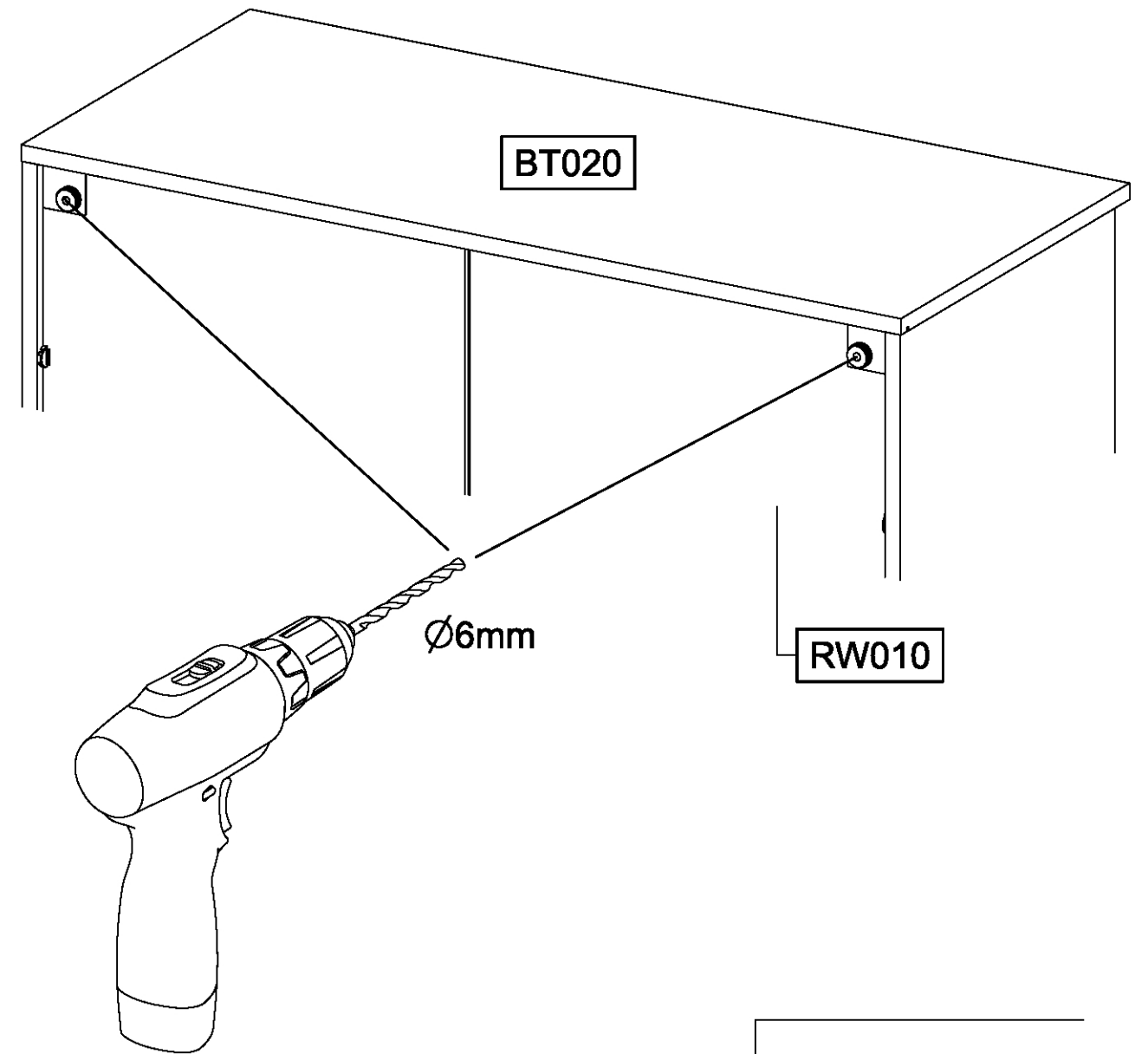
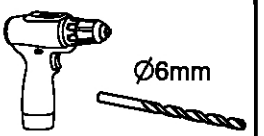
215

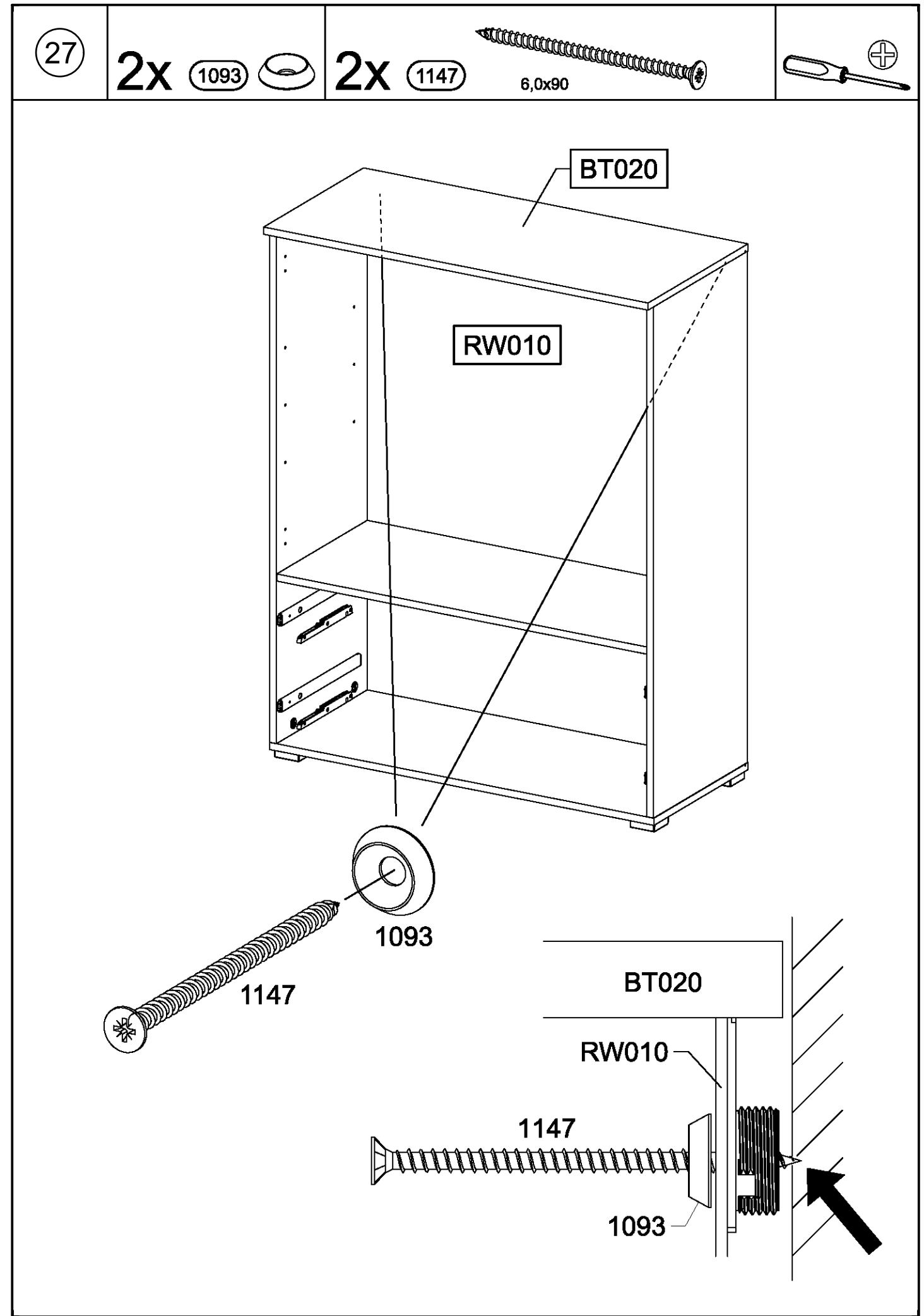
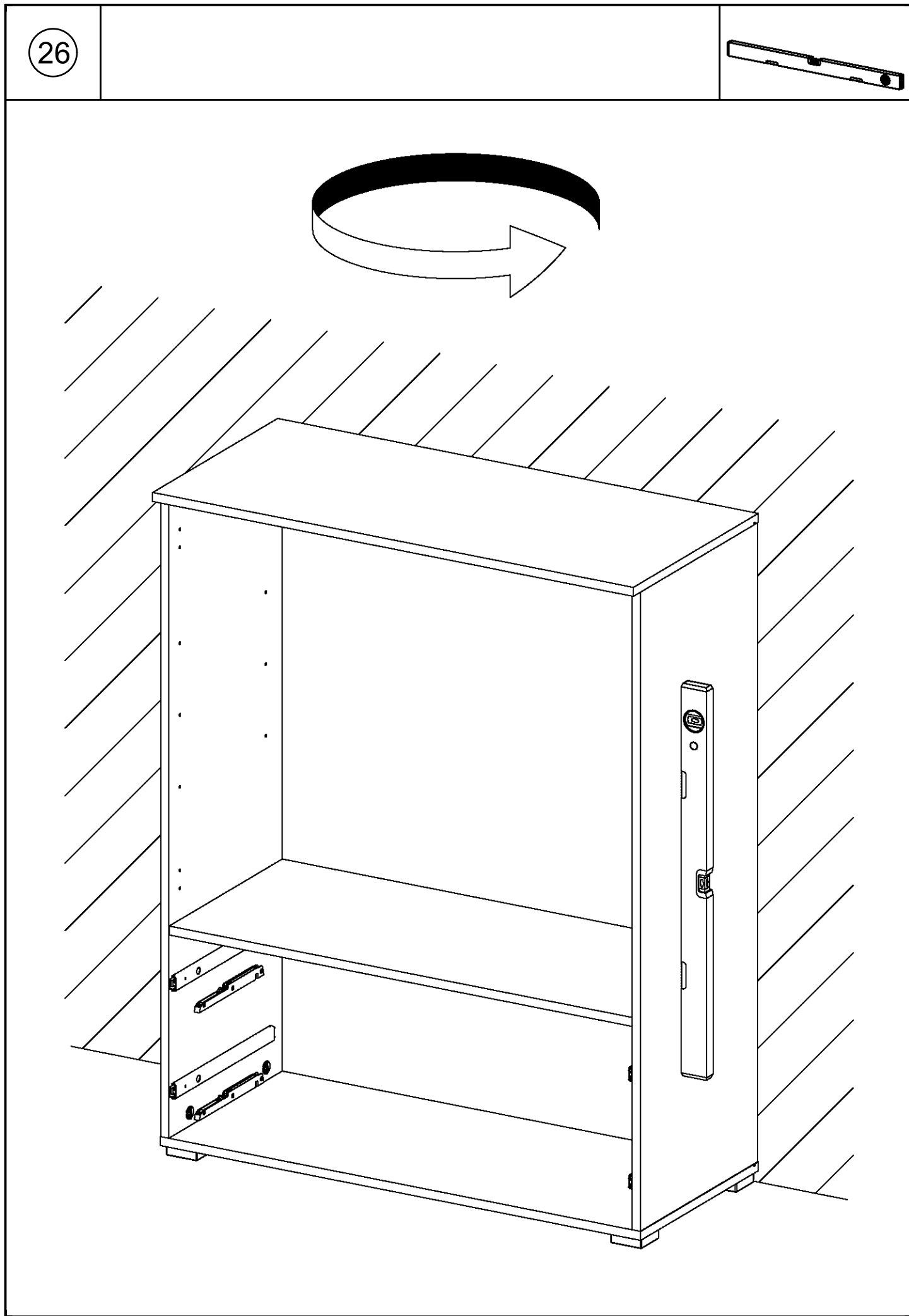
24

2x 1091

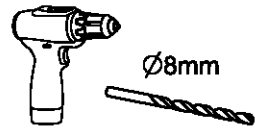


25

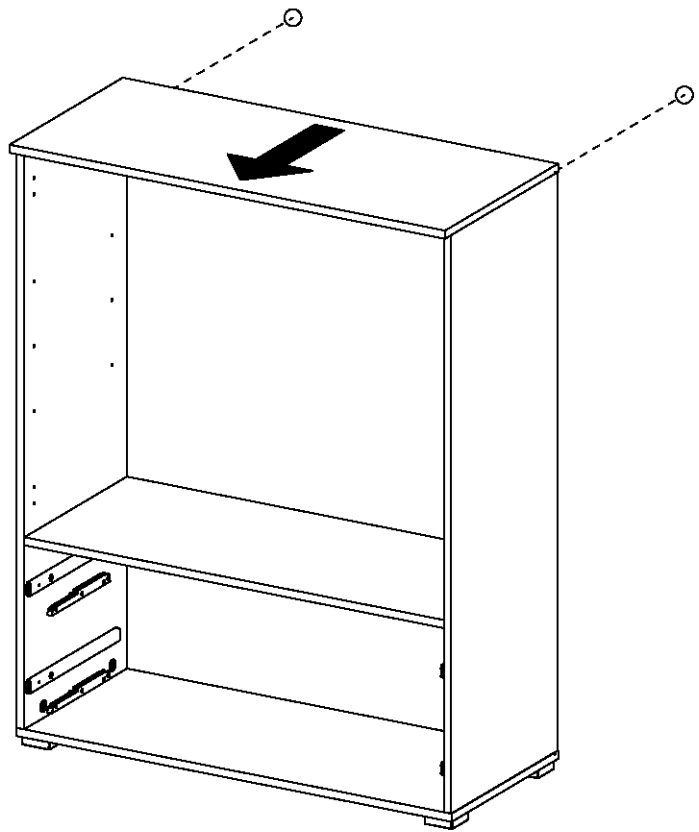




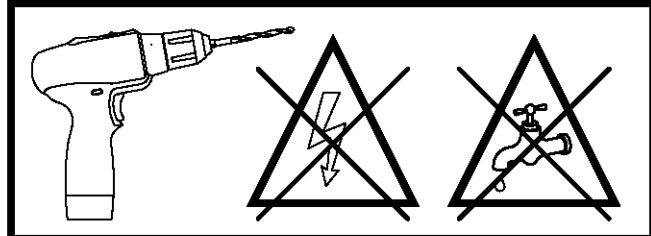
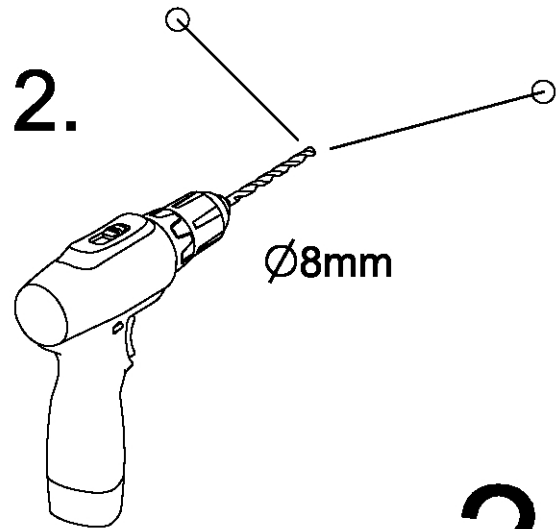
28



1.

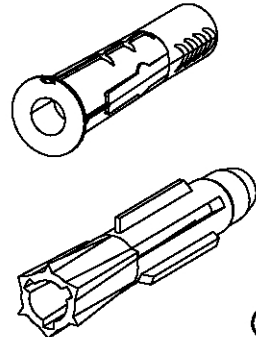
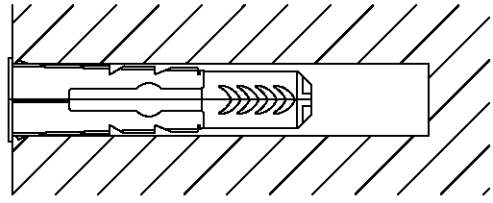


2.



?

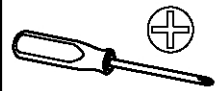
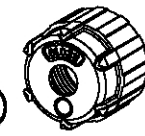
3.



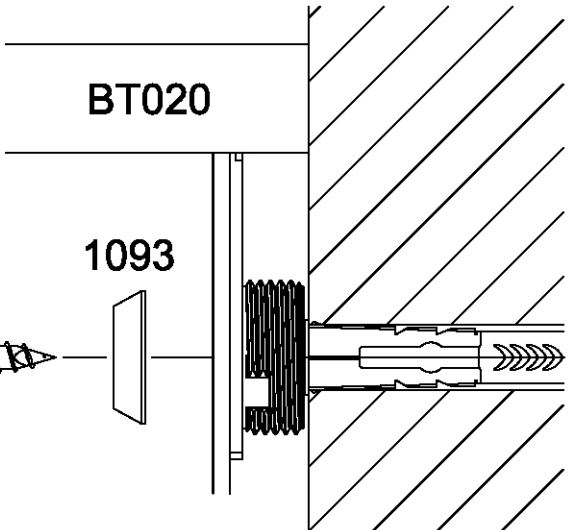
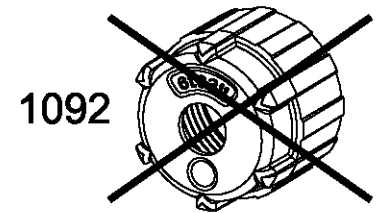
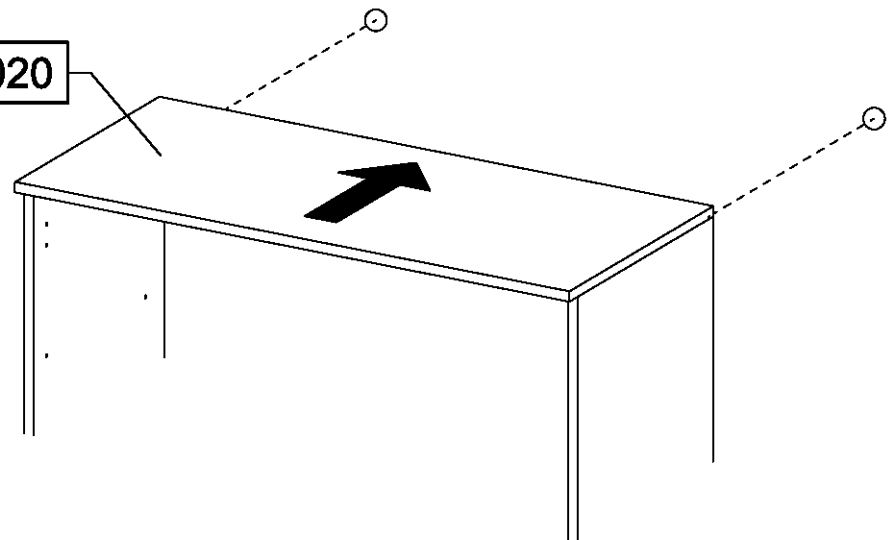
Ø8mm

29

2x 1092



BT020



1147

1093

BT020

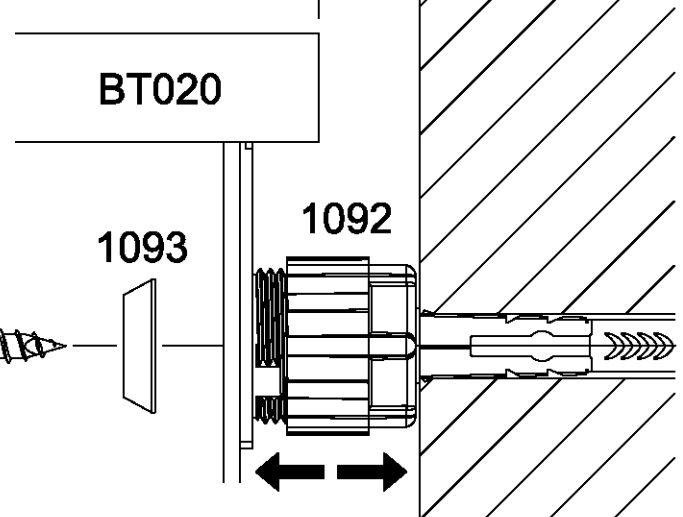
1147

1093

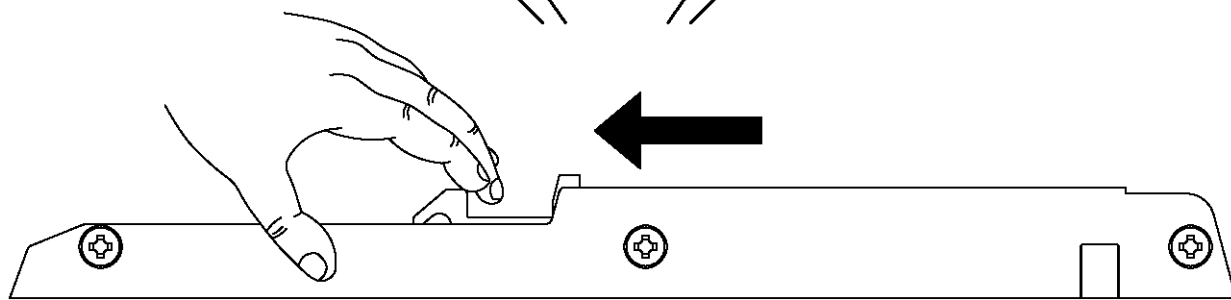
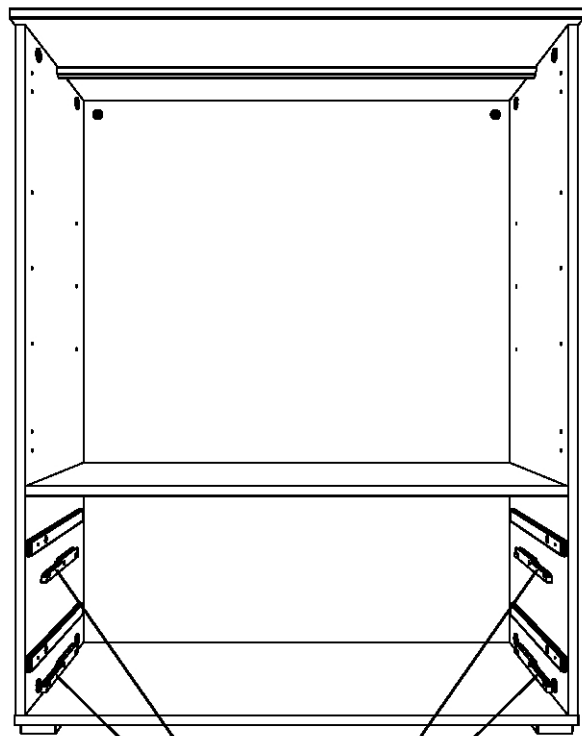
1092

BT020

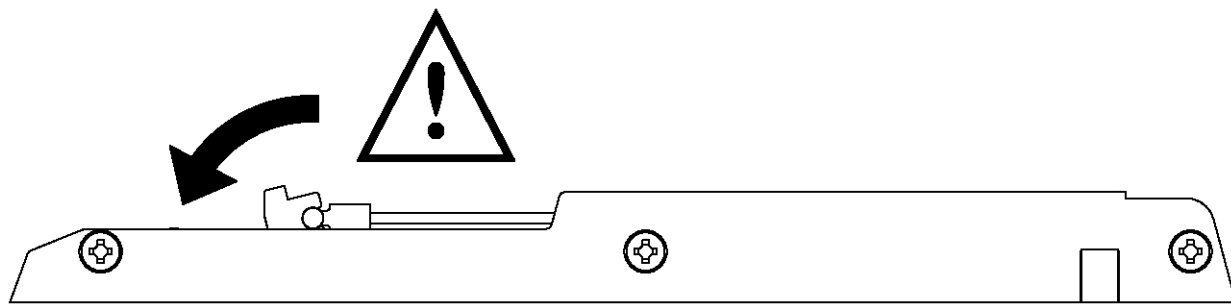
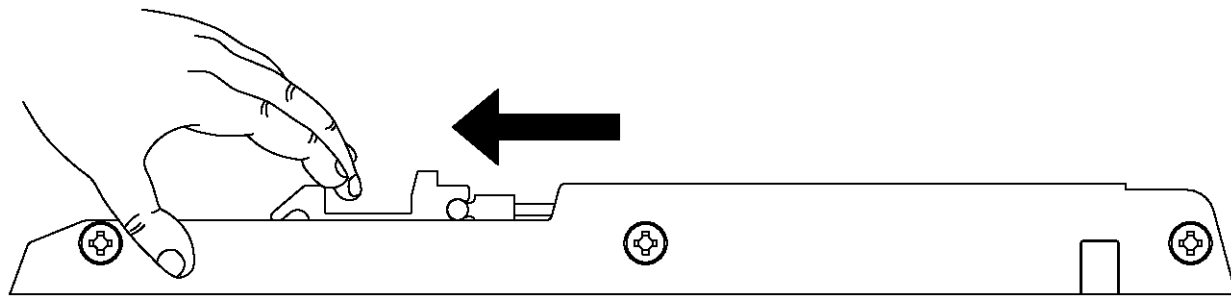
10-15mm



30



1000

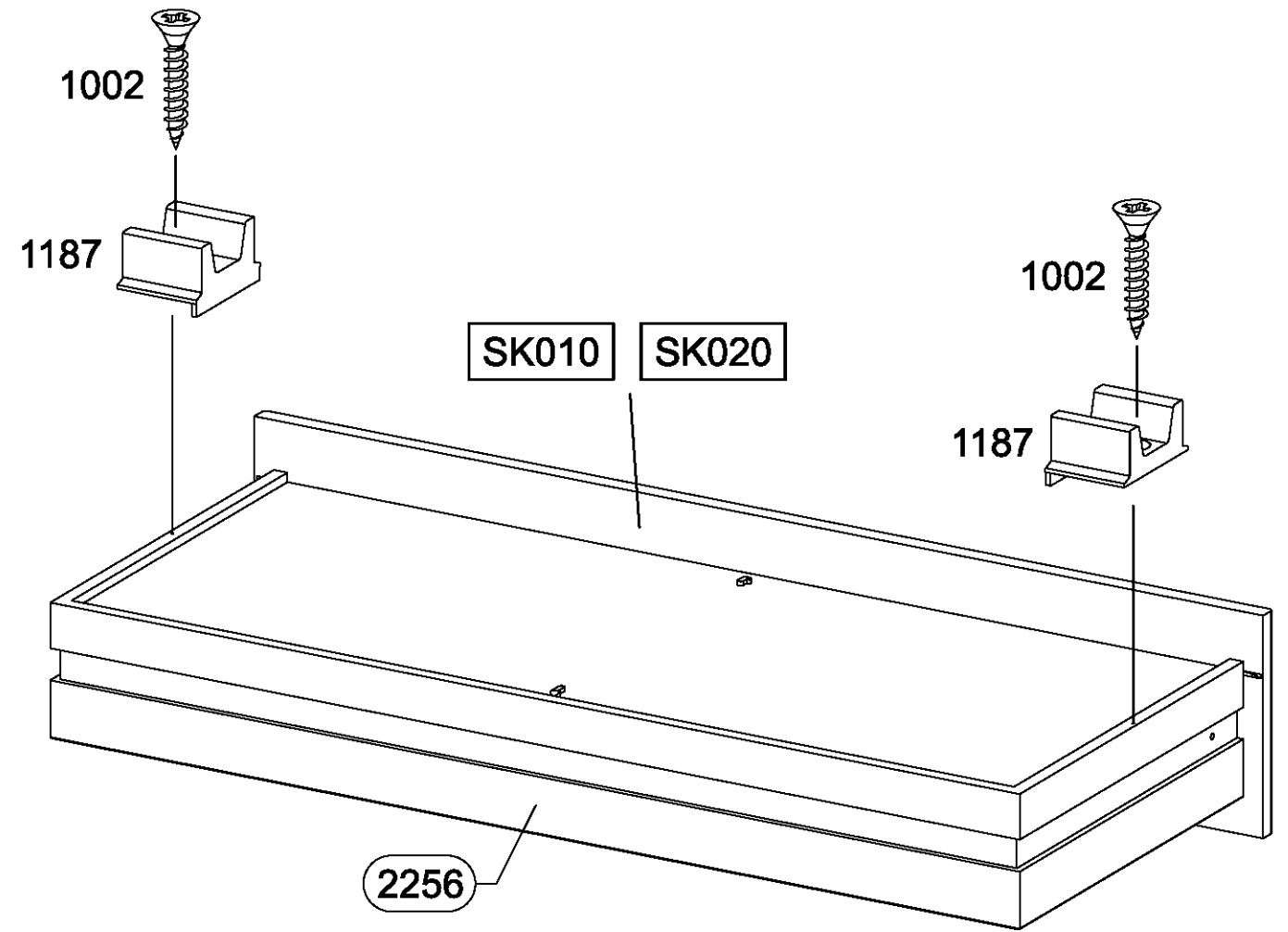
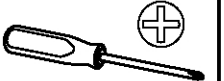
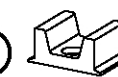


31

4x 1002

3,5x20

4x 1187



1002

1187

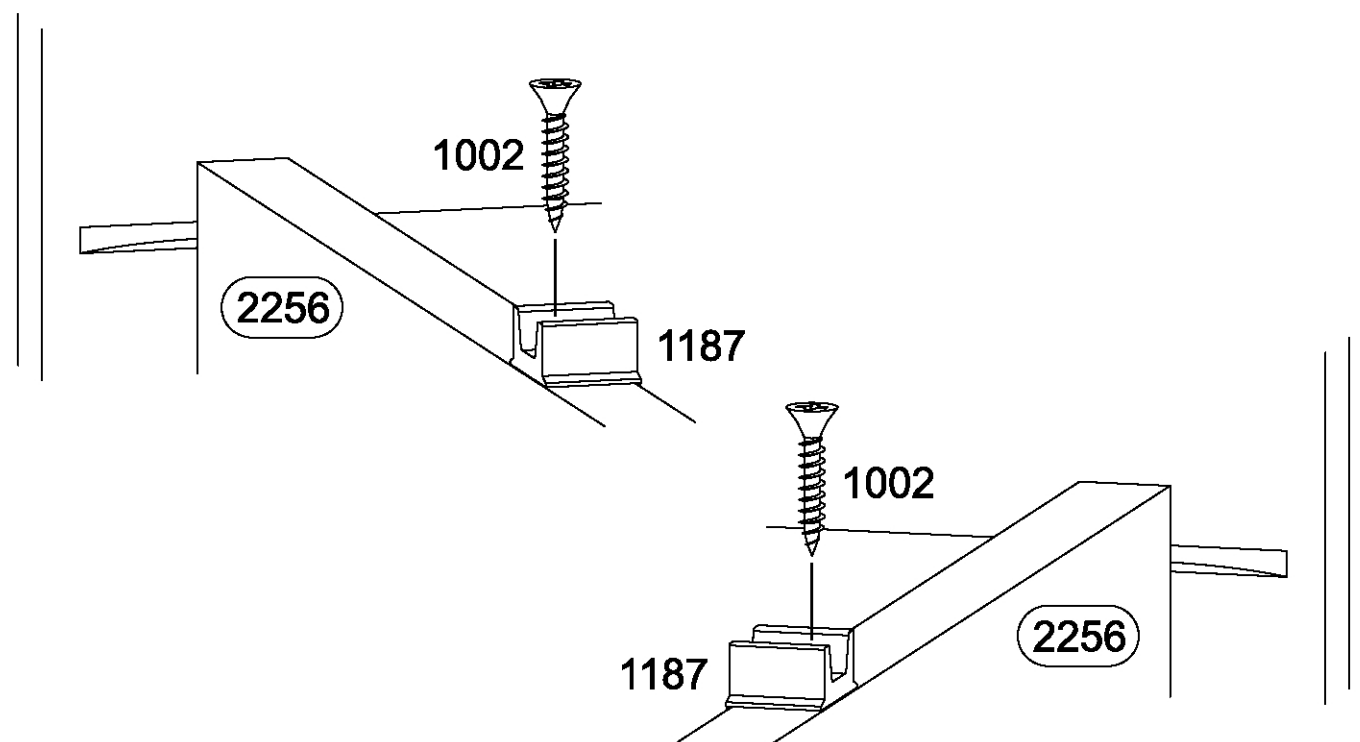
SK010

SK020

1002

1187

2256



1002

2256

1187

1002

1187

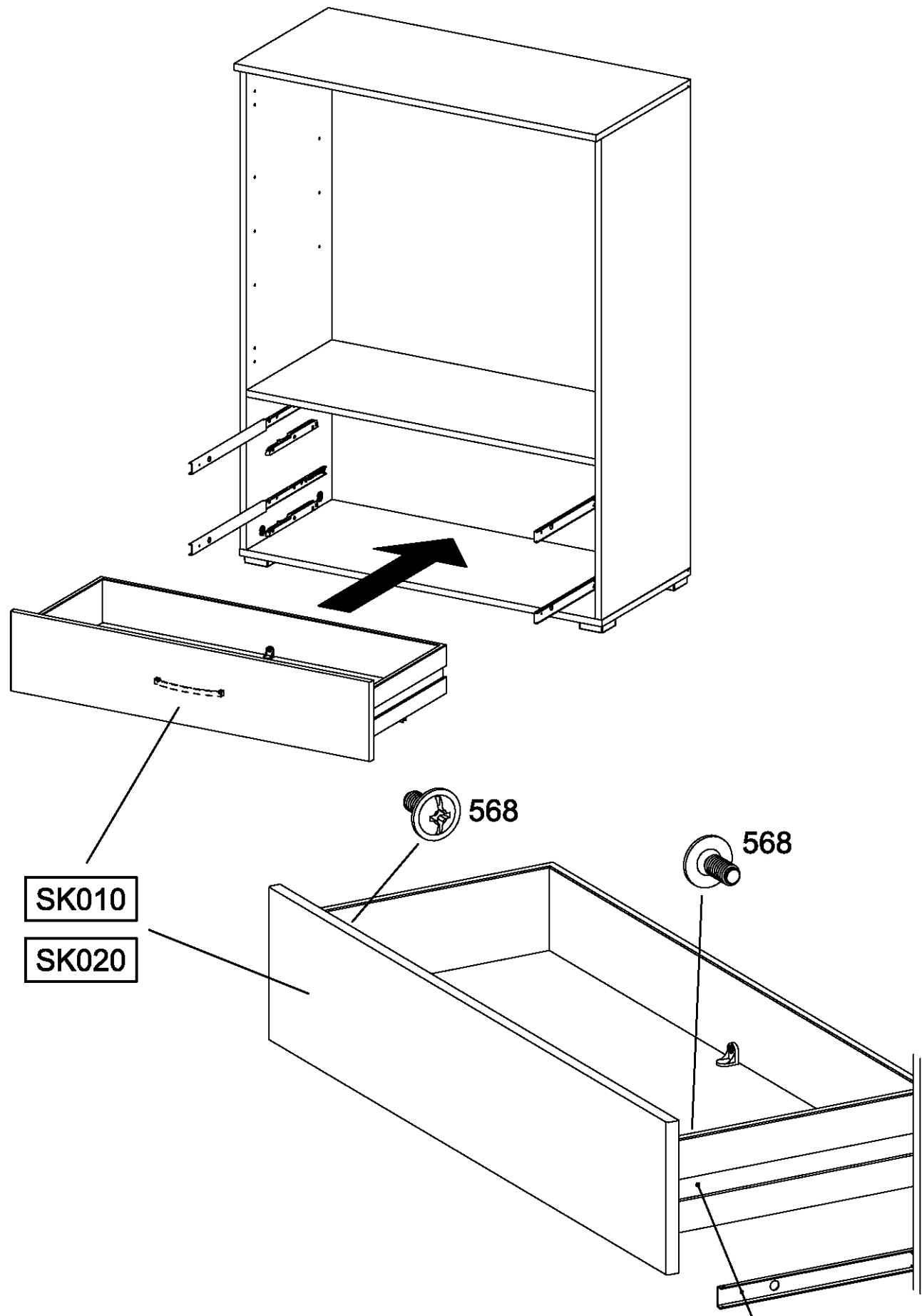
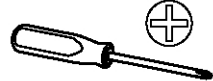
2256

32

4x

568

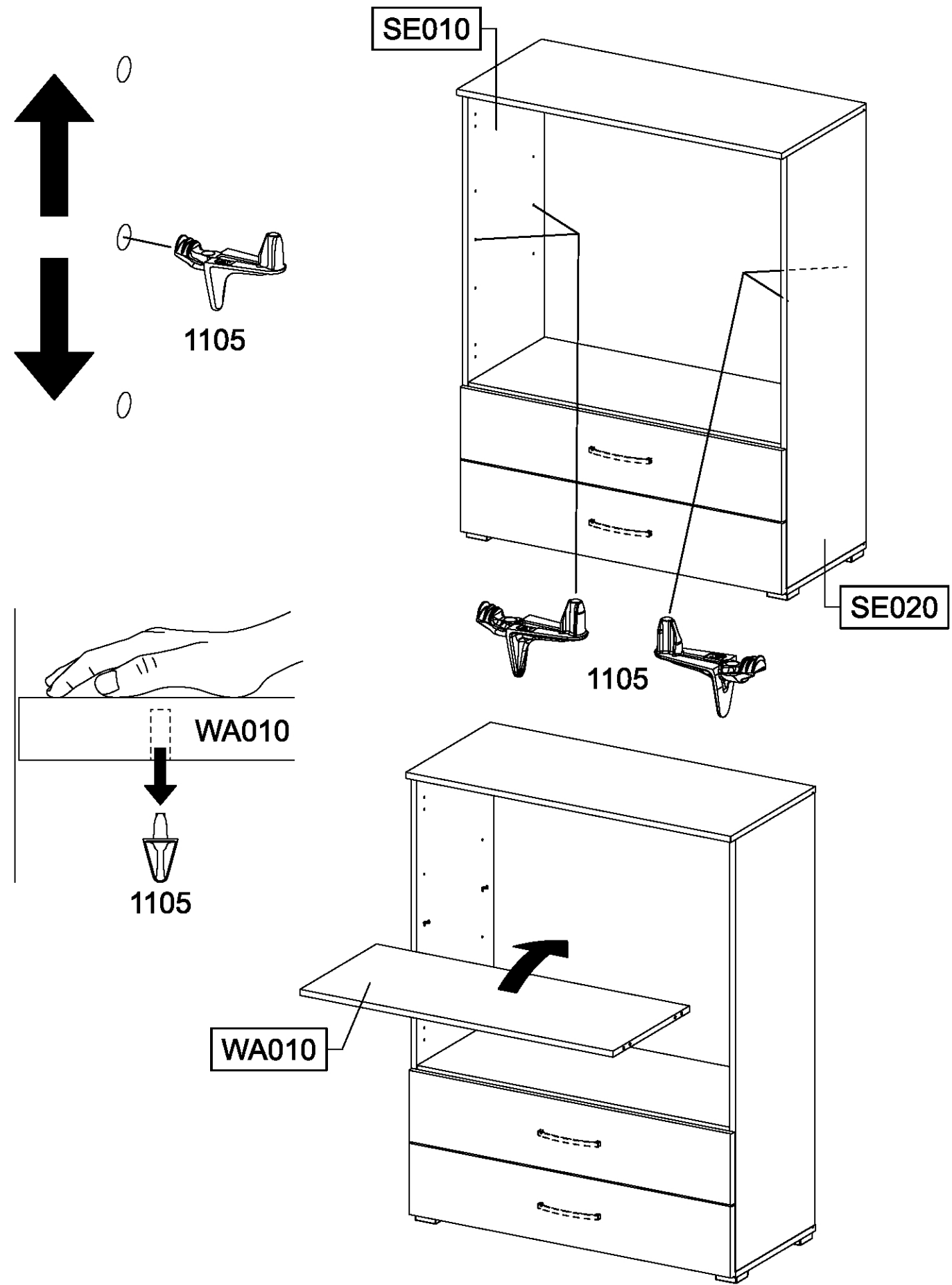
M4x9



33

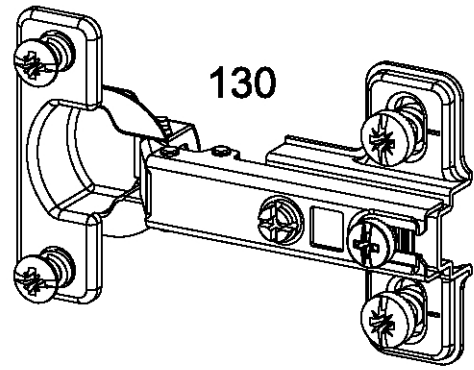
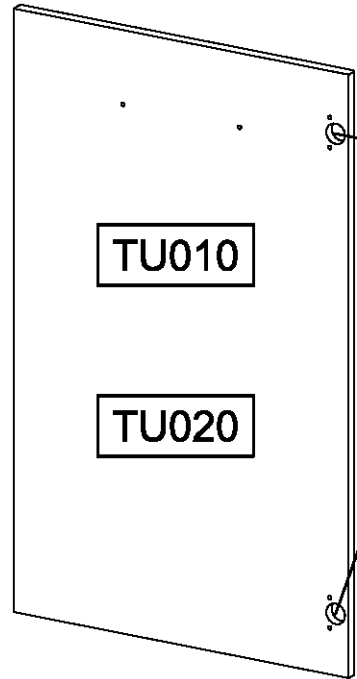
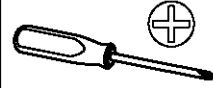
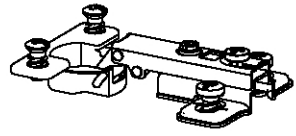
4x

1105

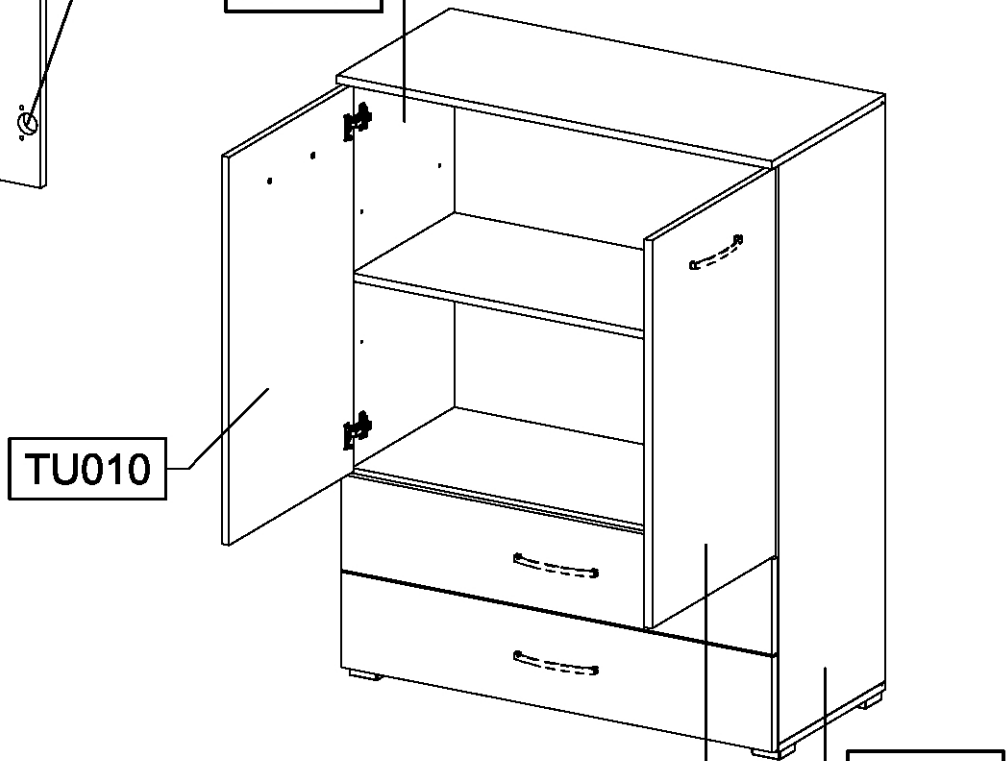


34

4x 130



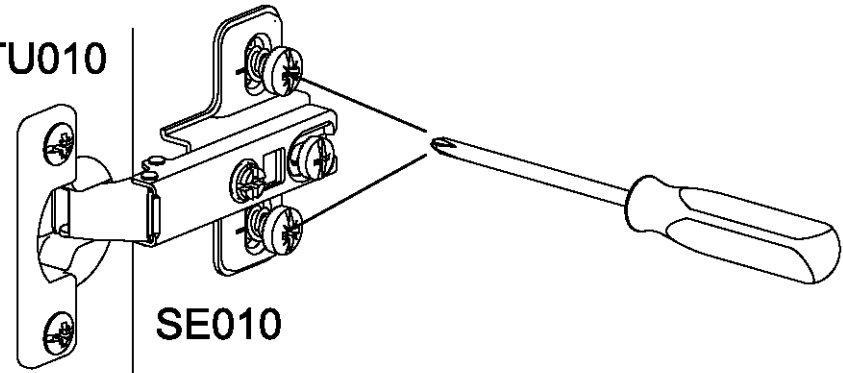
SE010



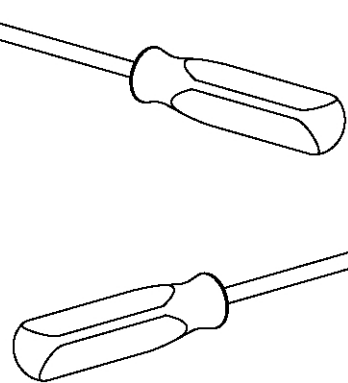
TU010

TU020

SE020



SE010



SE020

TU020

35

