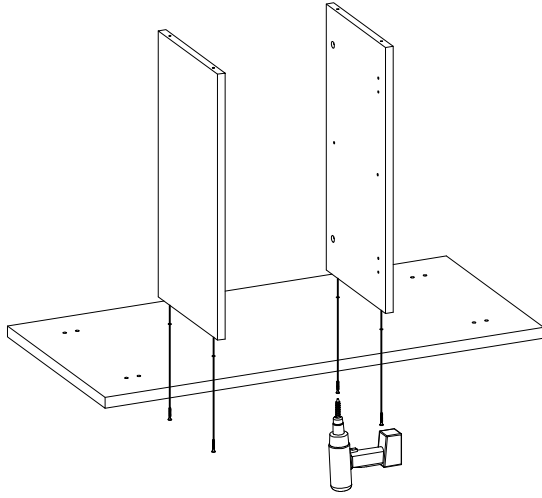
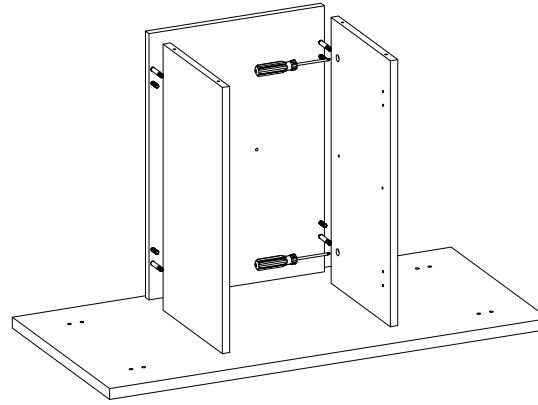


# ELSA MASA

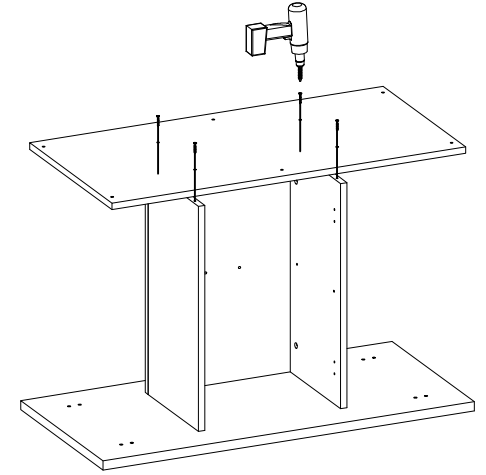
01



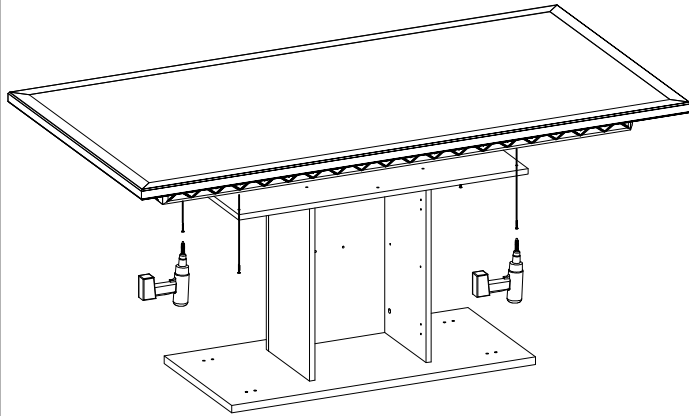
02



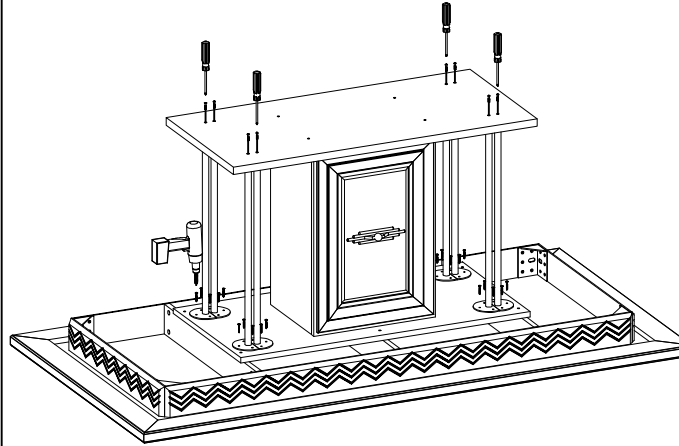
03



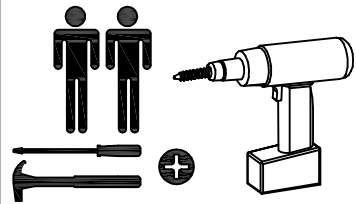
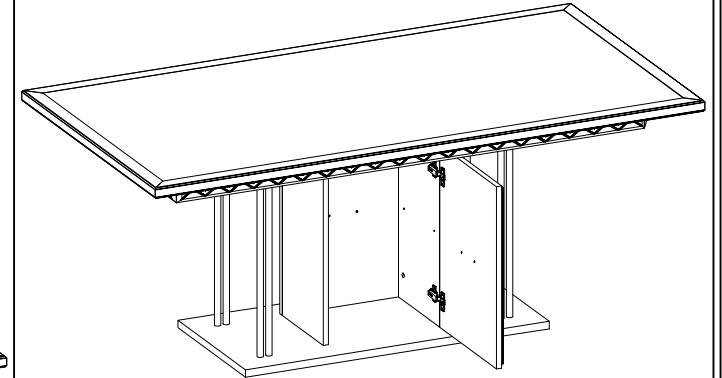
04



05



06



| Ø15 MINİFIX BAŞLIK | MINİFIX MİL | MINİFIX TAPA | PLASTİK KAVELA | 3,5*16 YHB | 3,5*25 RYHB | 4*20 VIDA | M4*22 MM | KULP   | MENTEŞE | MENTEŞE GÖVDE | MENTEŞE TABAN |
|--------------------|-------------|--------------|----------------|------------|-------------|-----------|----------|--------|---------|---------------|---------------|
| A                  | B           | D            | C              | V1         | V3          | V4        | M2       | K01    | K02     | M11           | M12           |
|                    |             |              |                |            |             |           |          |        |         |               |               |
| 4 ADET             | 4 ADET      | 4 ADET       | 4 ADET         | 32 ADET    | 2 ADET      | 14 ADET   | 4 ADET   | 2 ADET | 4 ADET  | 2 ADET        | 2 ADET        |

