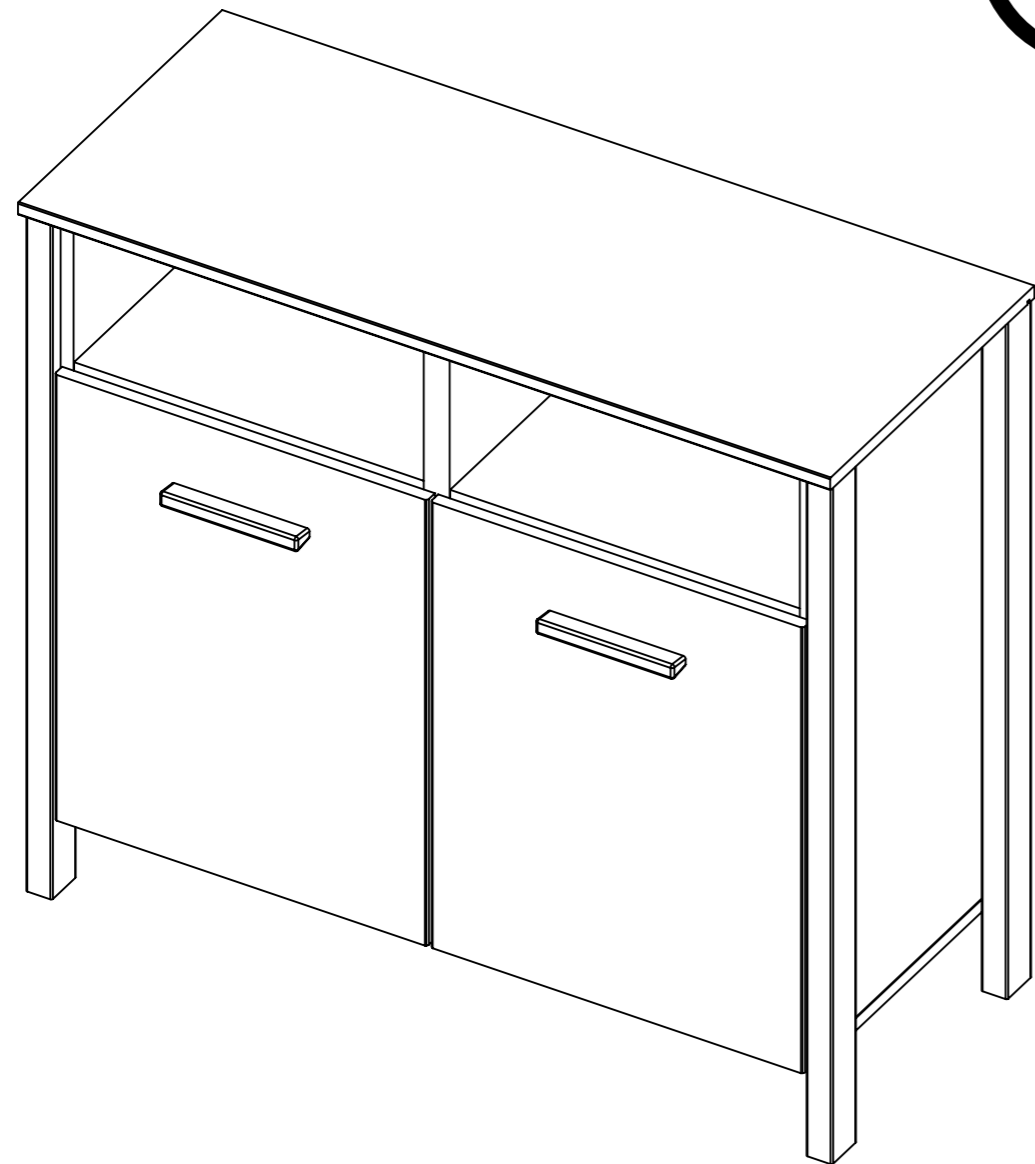
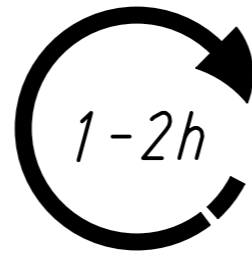
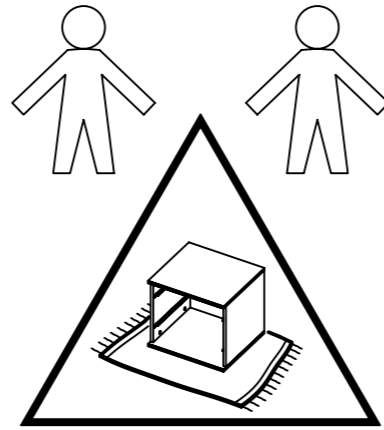
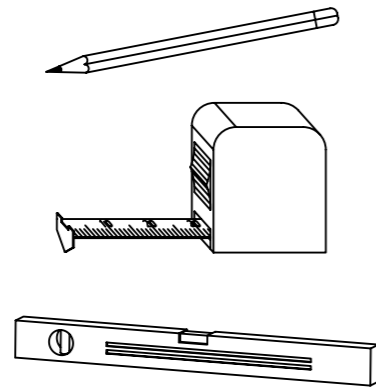
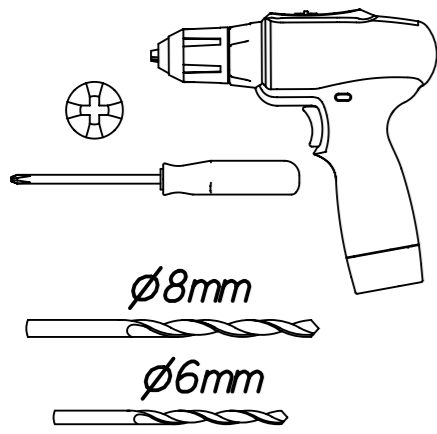


1.

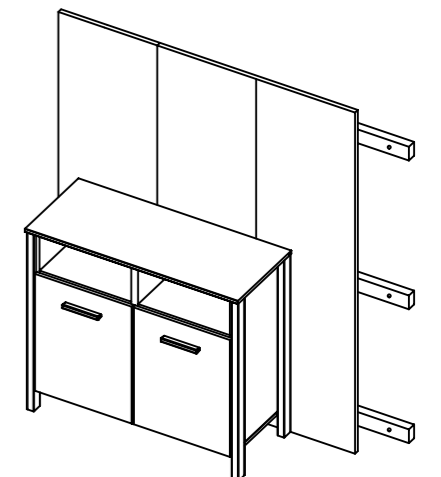
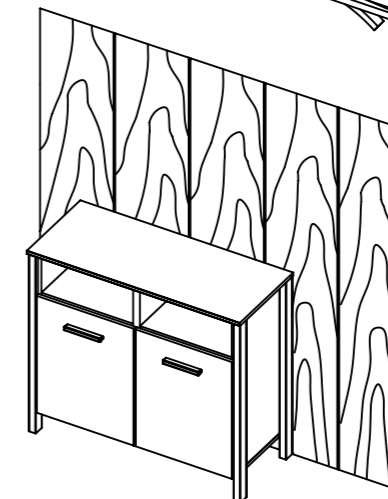
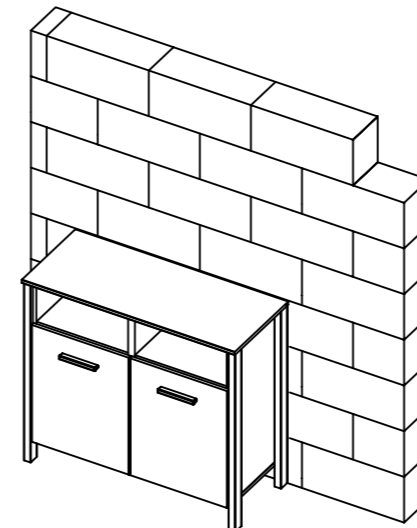
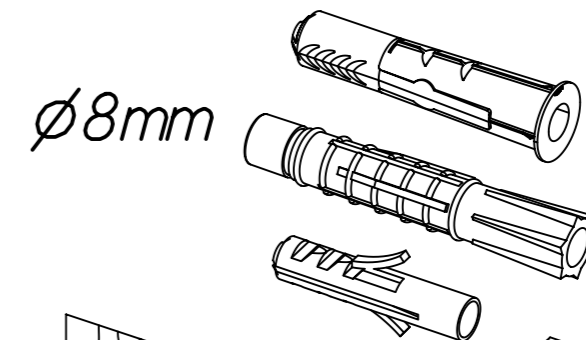
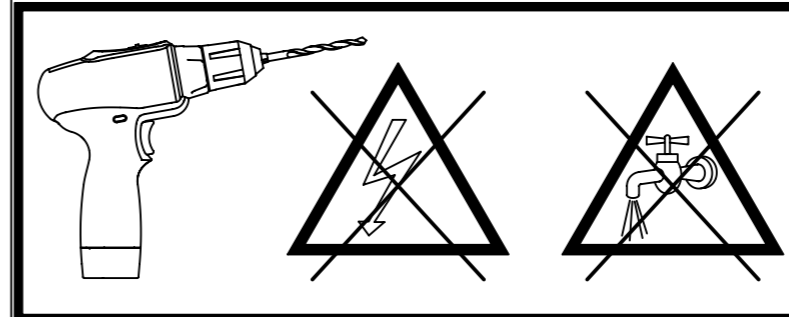
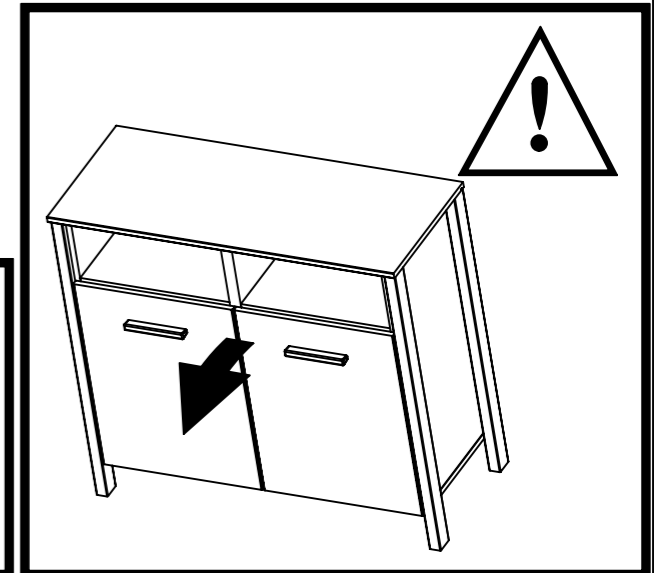
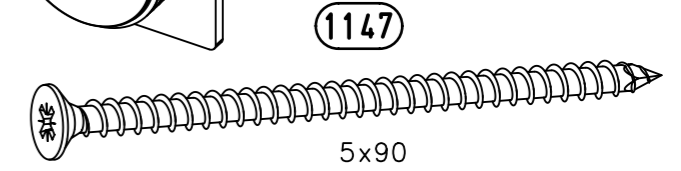
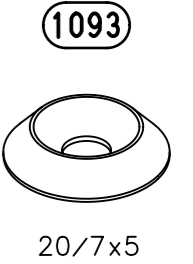
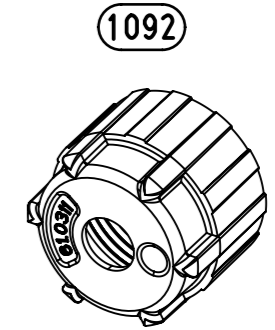
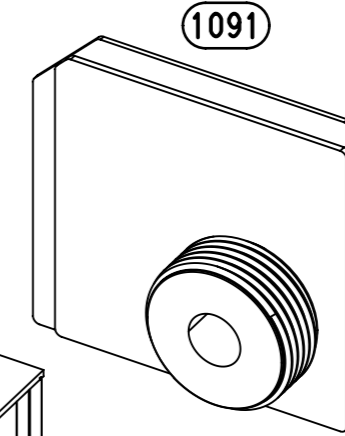
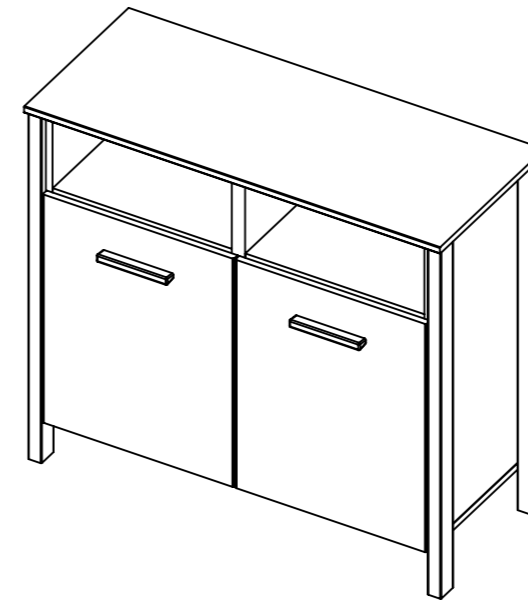
M2371_02

rauch

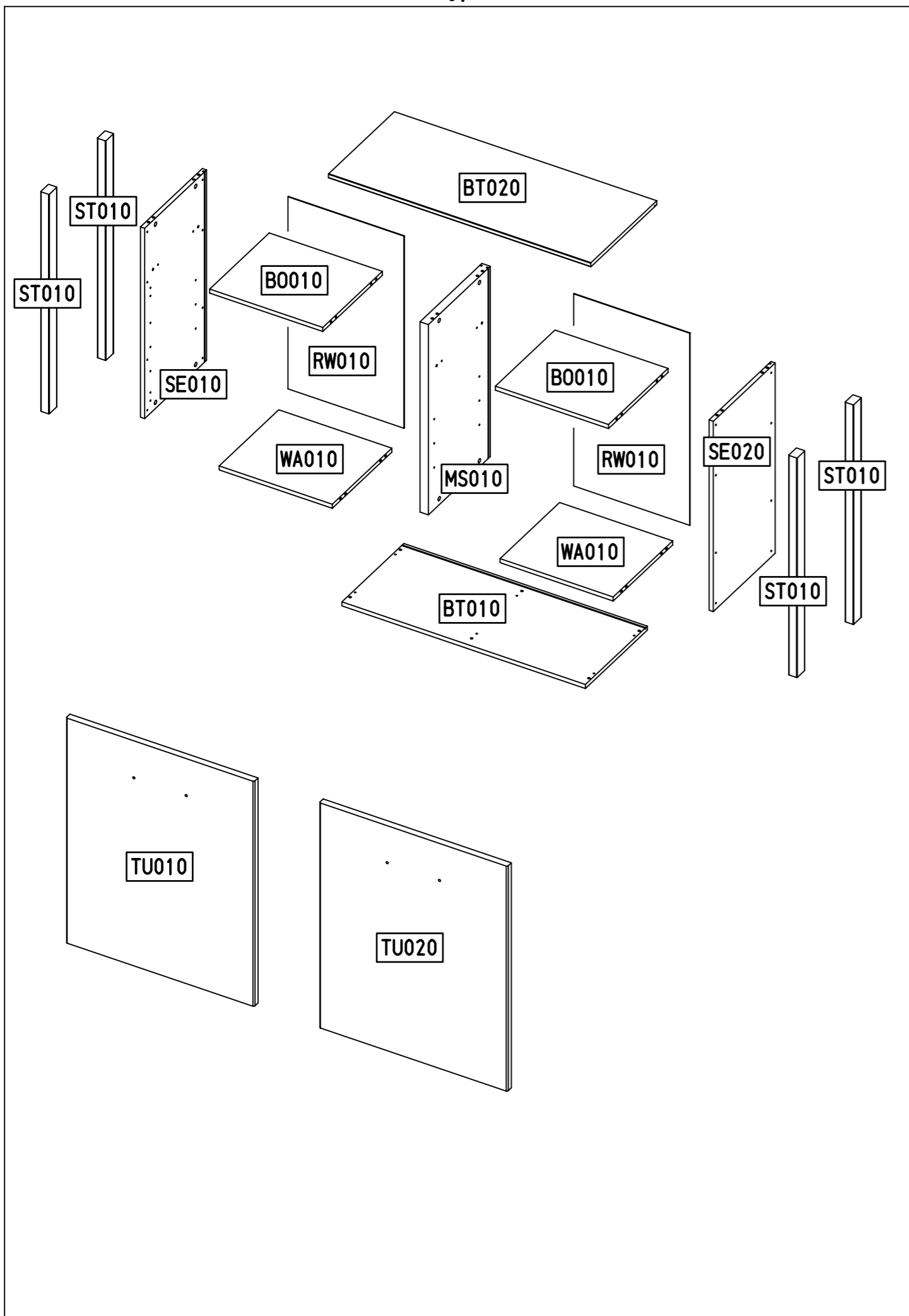


2.

2x

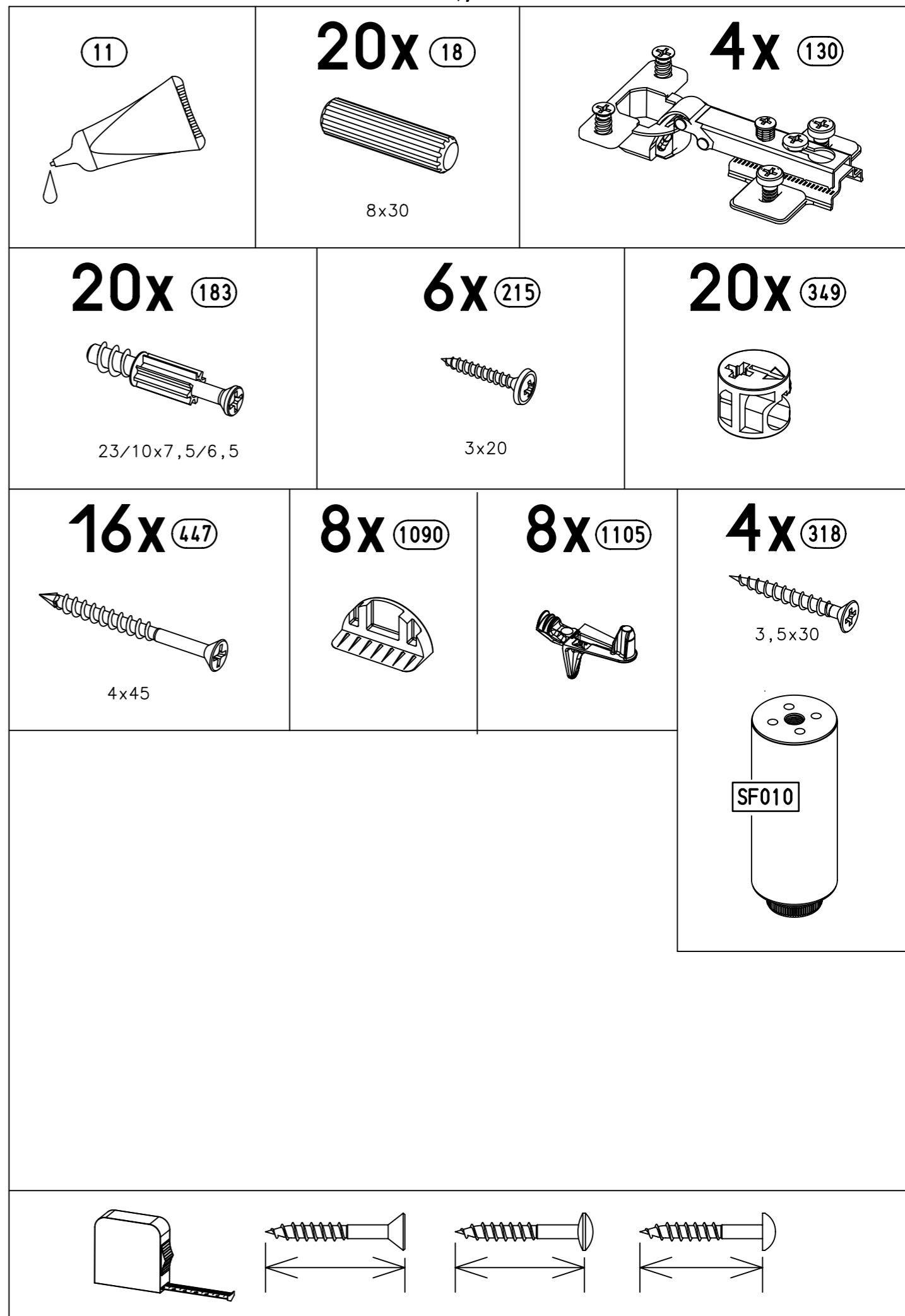


3.



M2371

4.

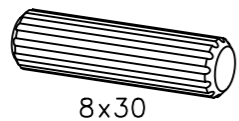


M2371

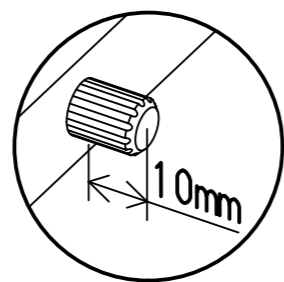
5.

1

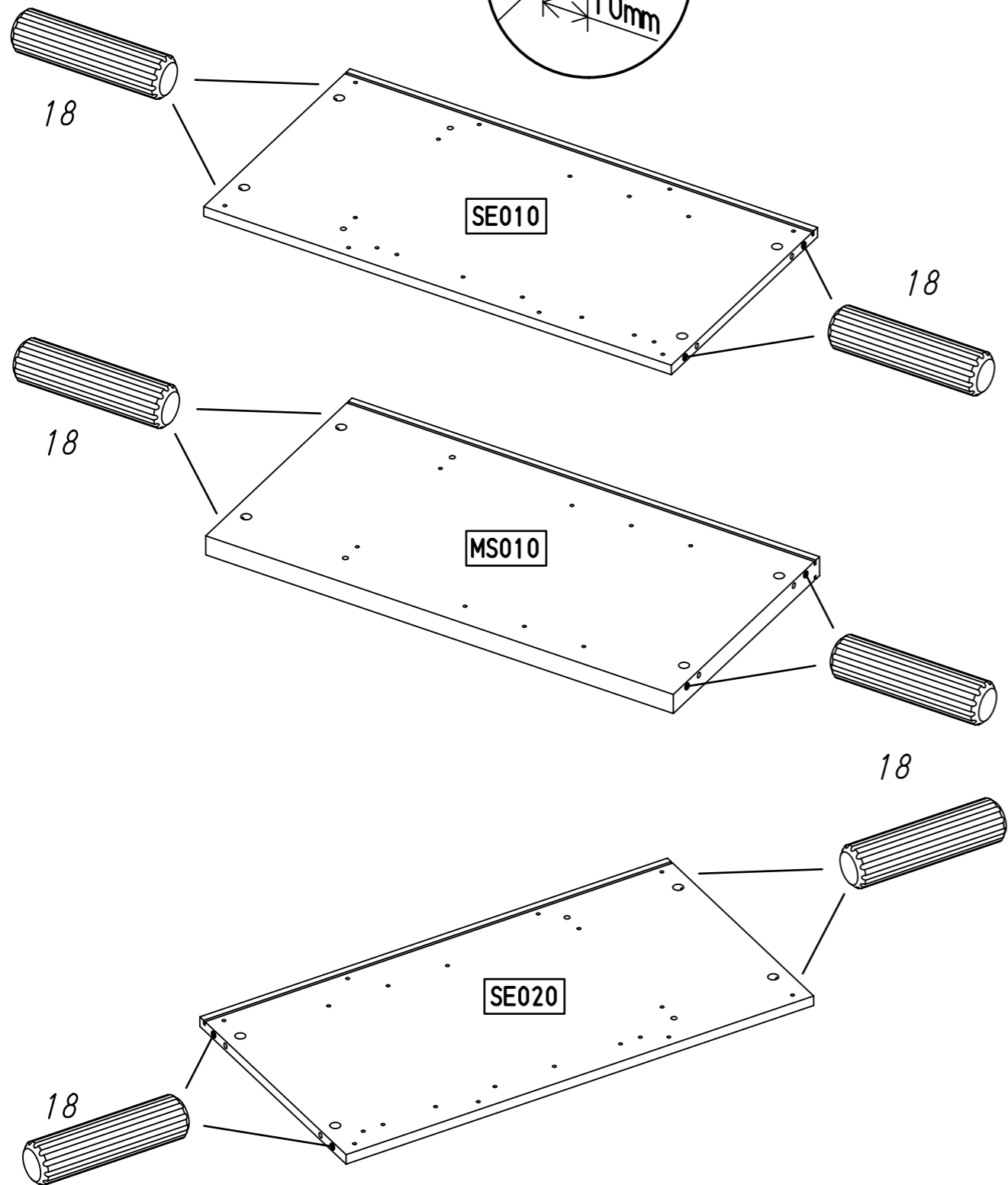
12x 18



8x30



10mm

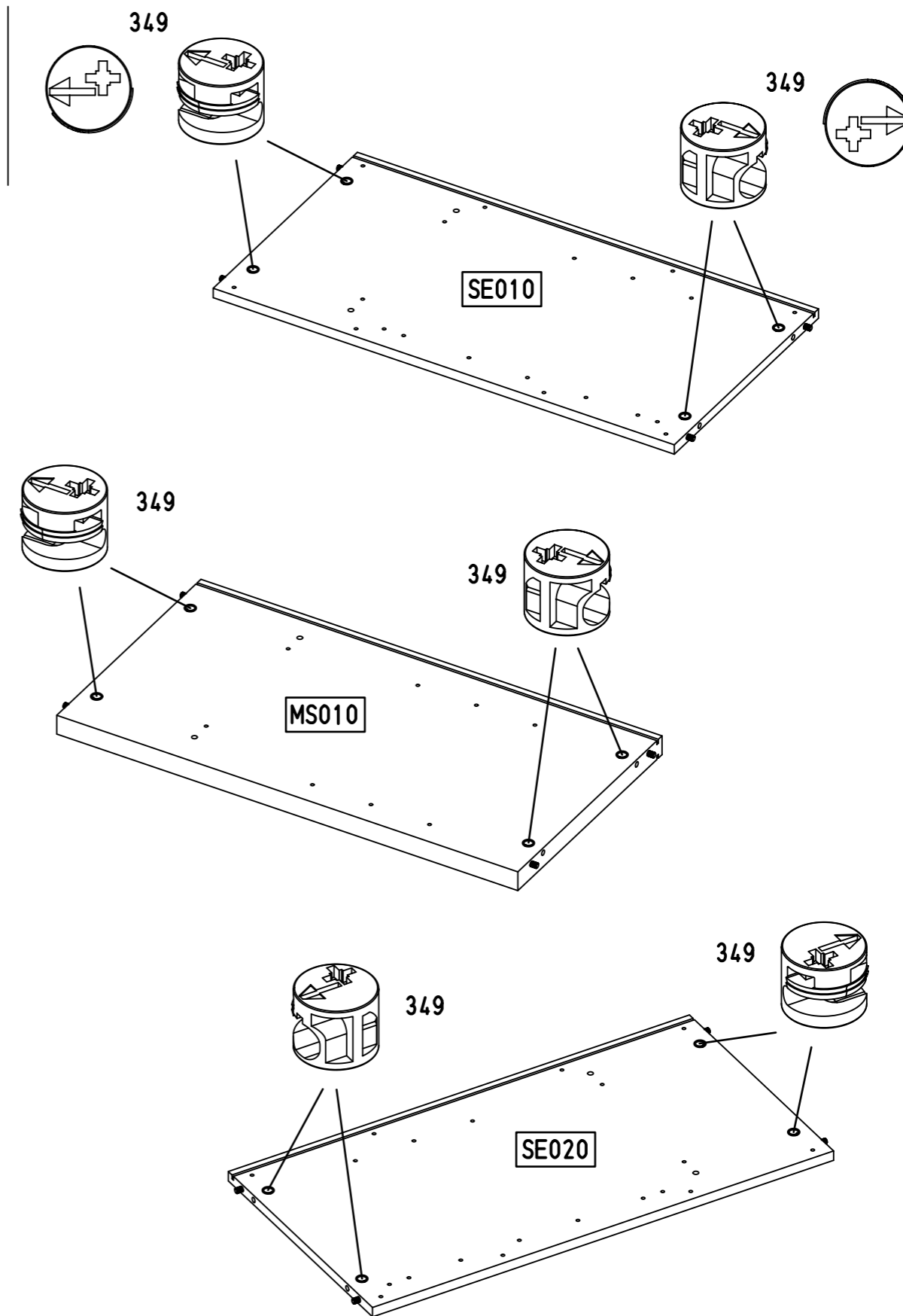
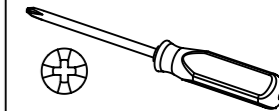


M2371

6.

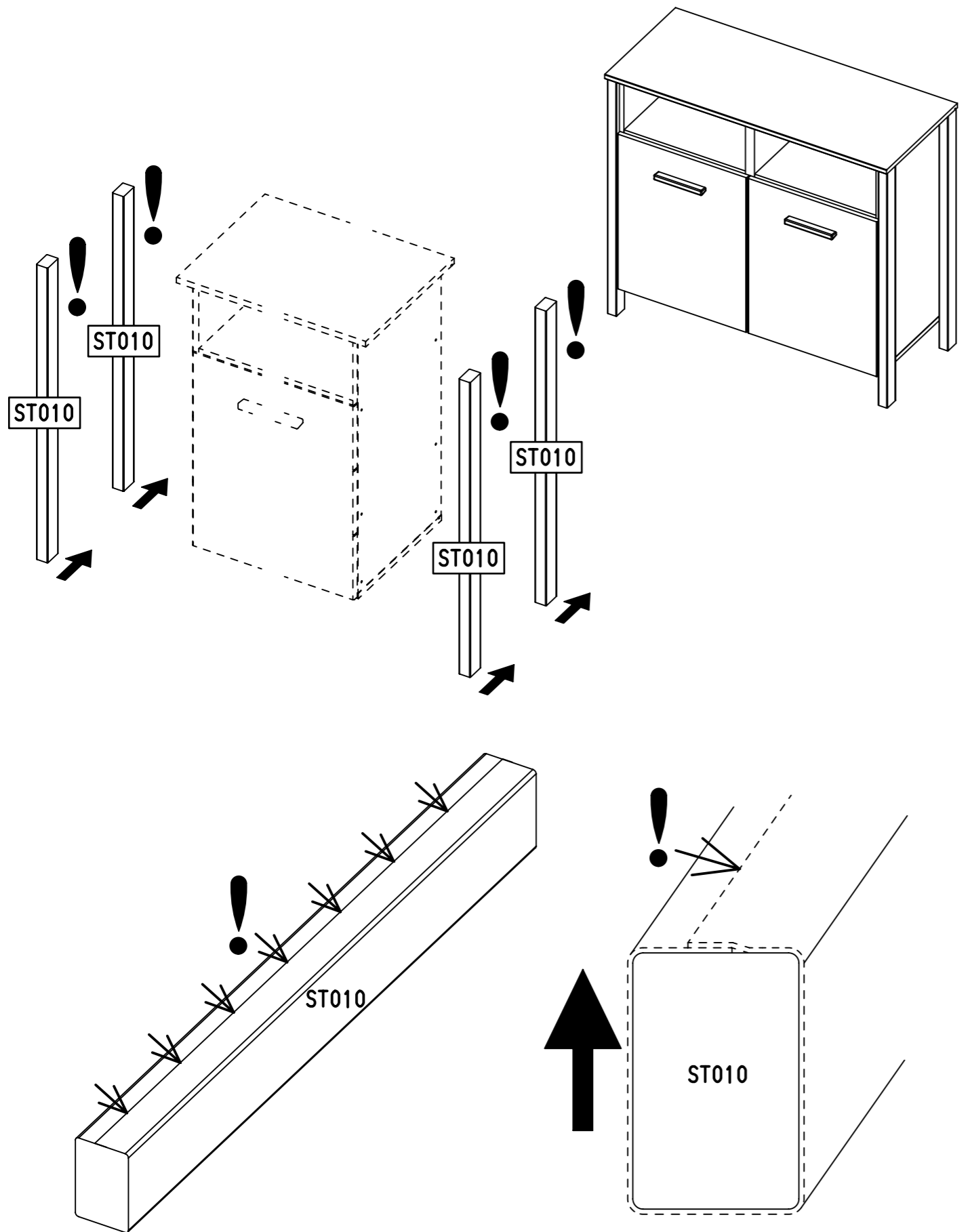
2

12x 349



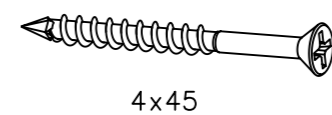
M2371

3

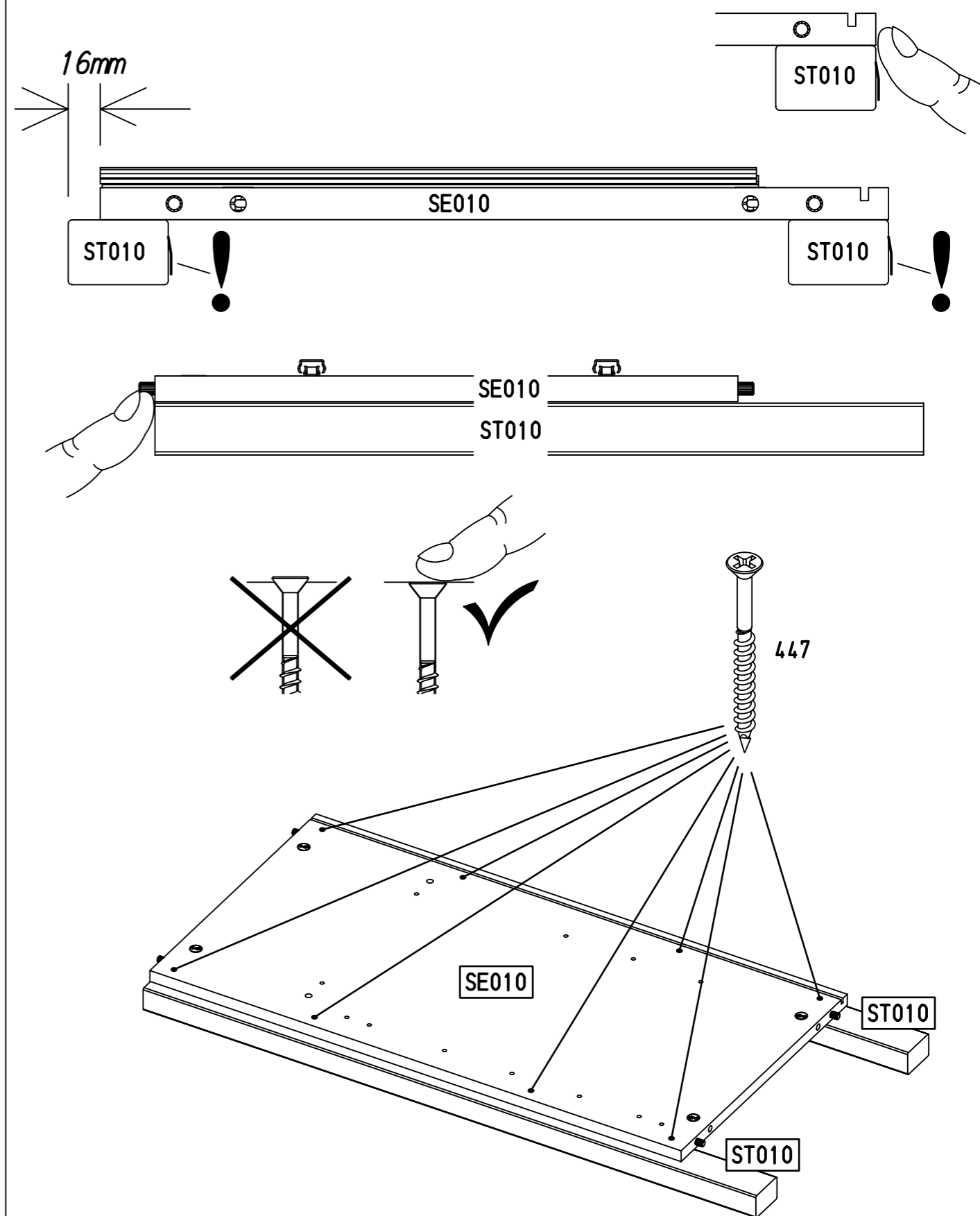
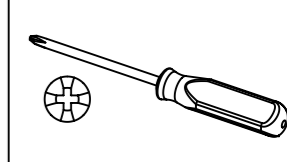
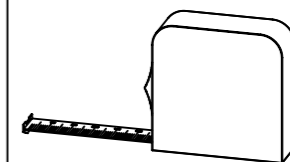


4

8x 447



4x45



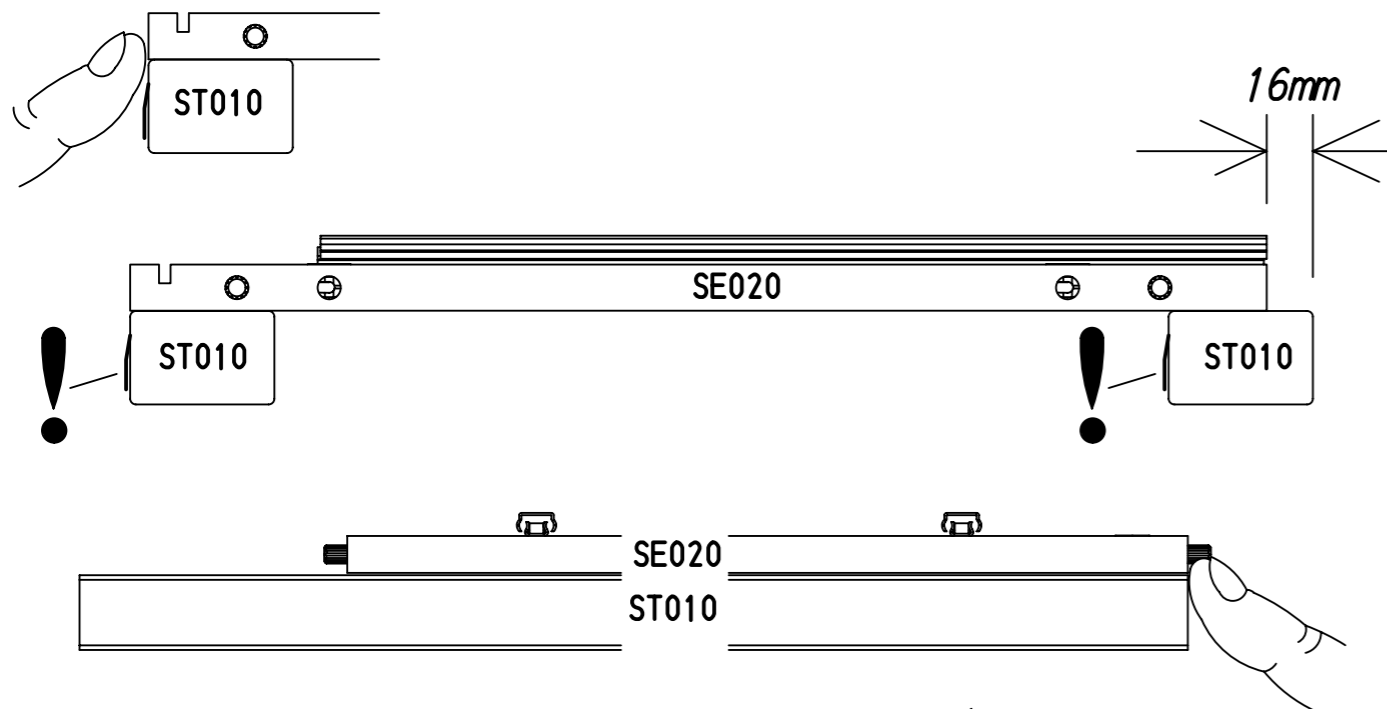
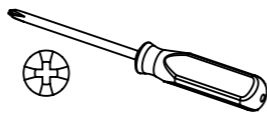
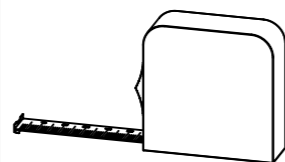
9.

5

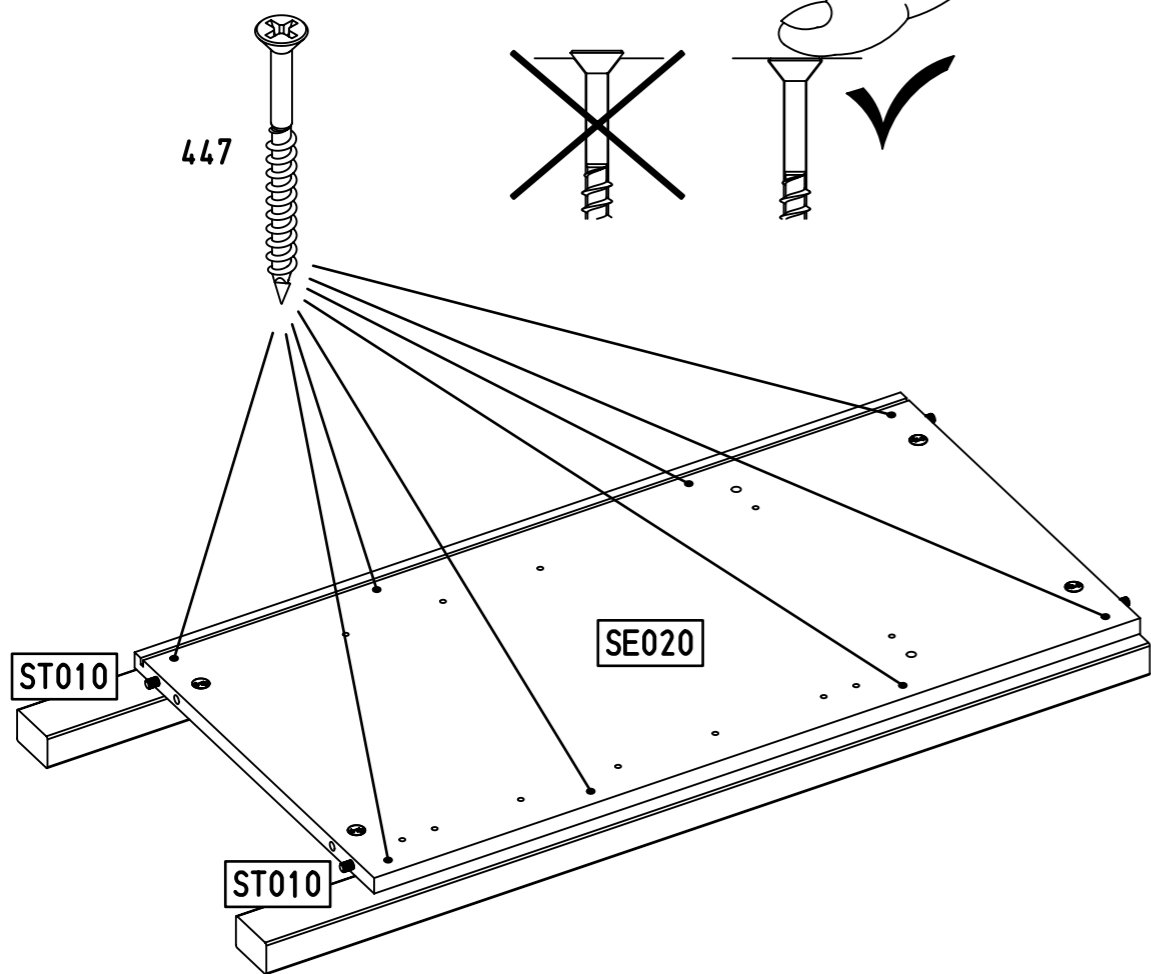
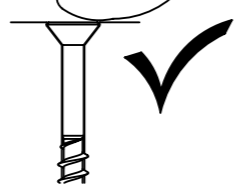
8x 447



4x45



447



SE020

ST010

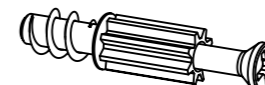
ST010

M2371

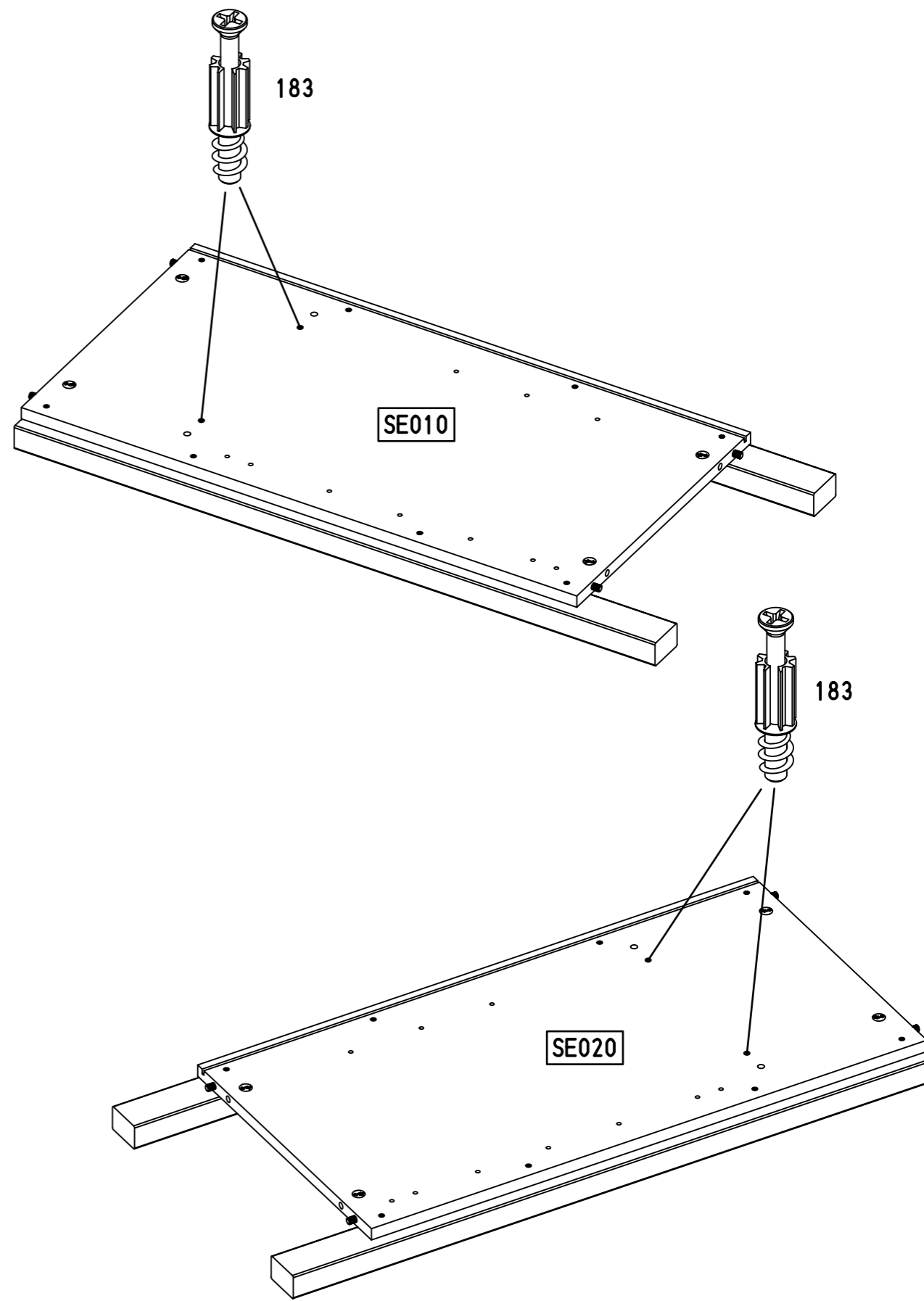
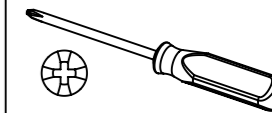
10.

6

4x 183



23/10x7,5/6,5



183

SE010

183

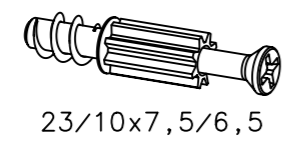
SE020

M2371

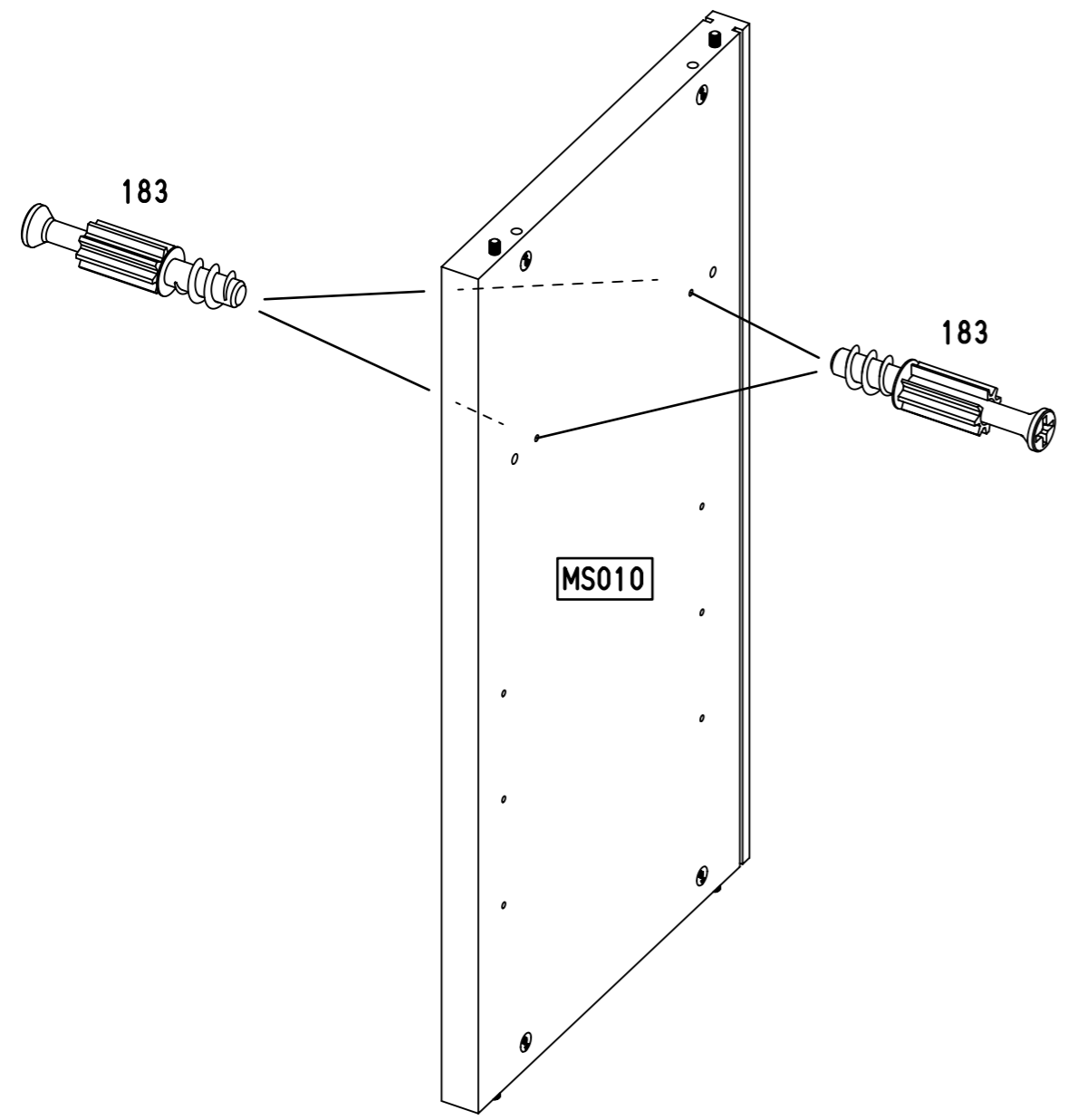
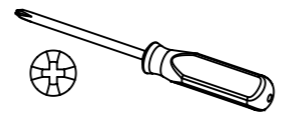
11.

7

4x 183



23/10x7,5/6,5

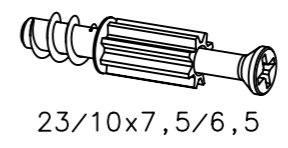


M2371

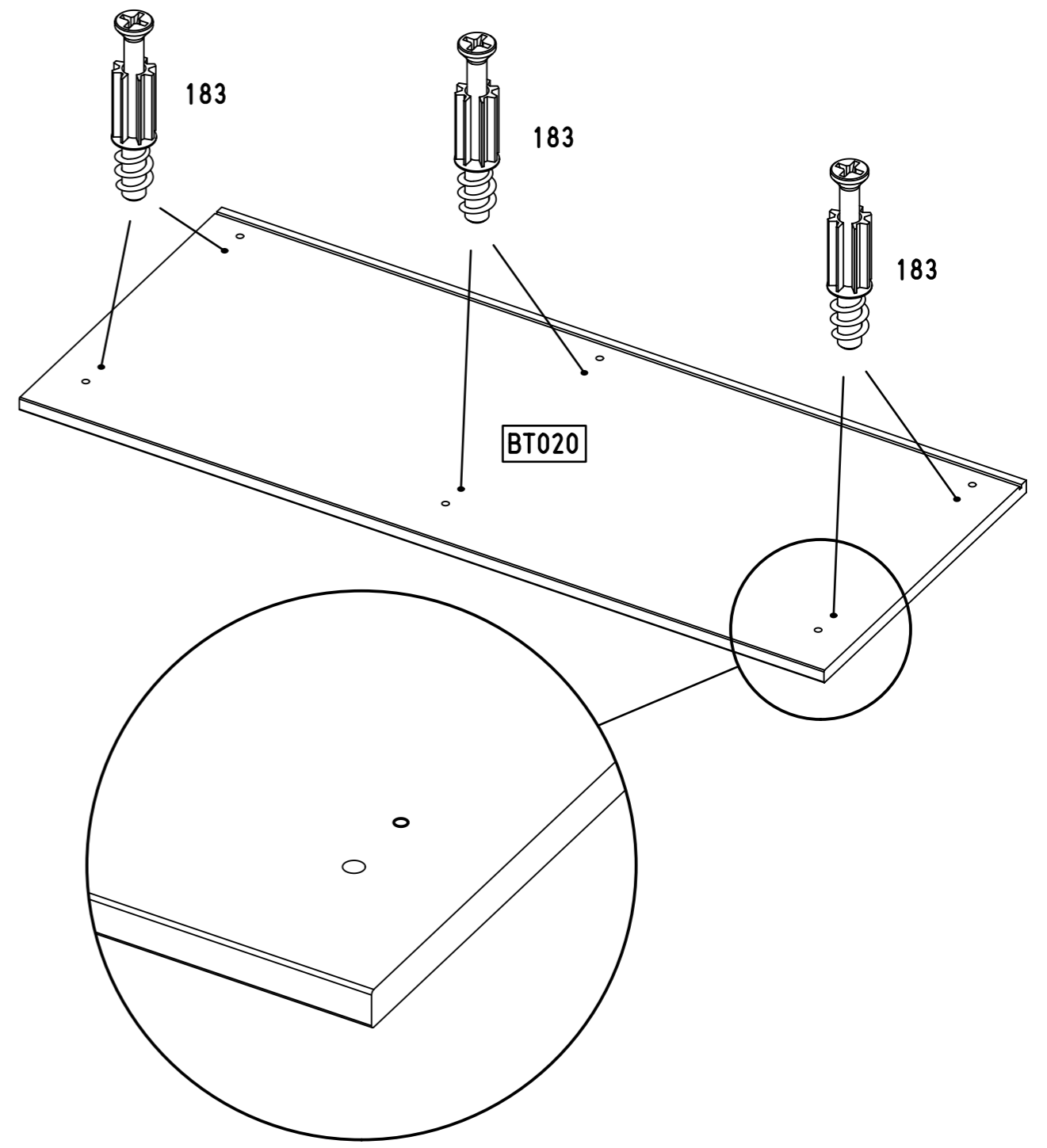
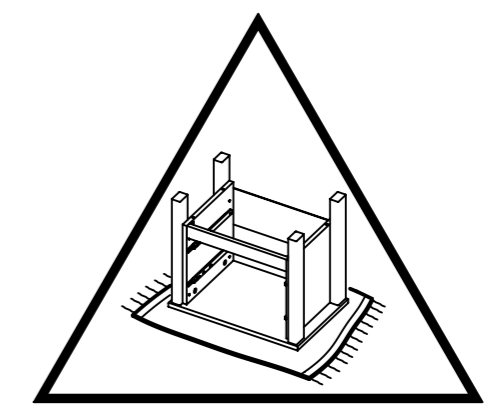
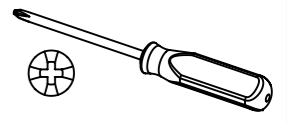
12.

8

6x 183

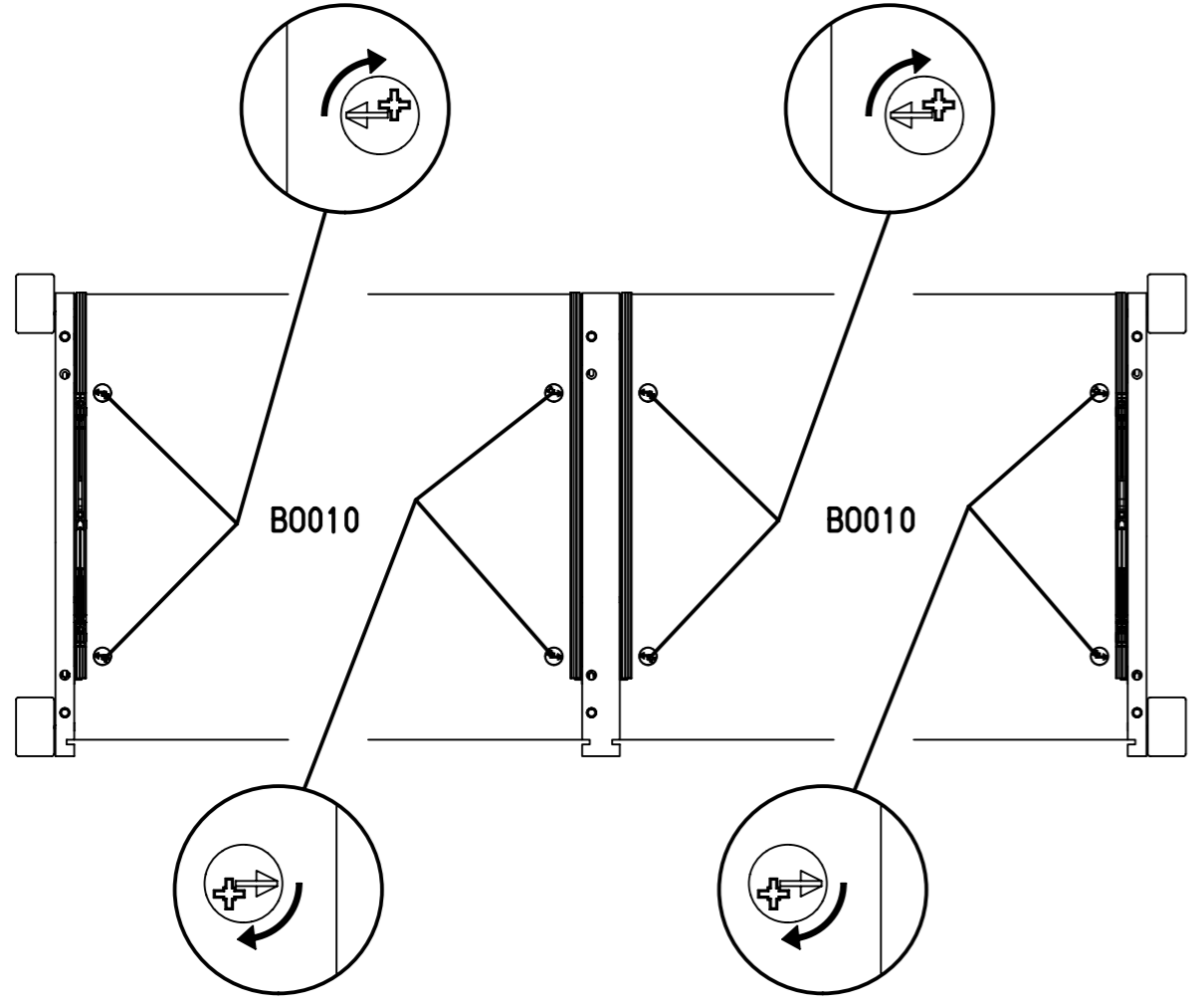
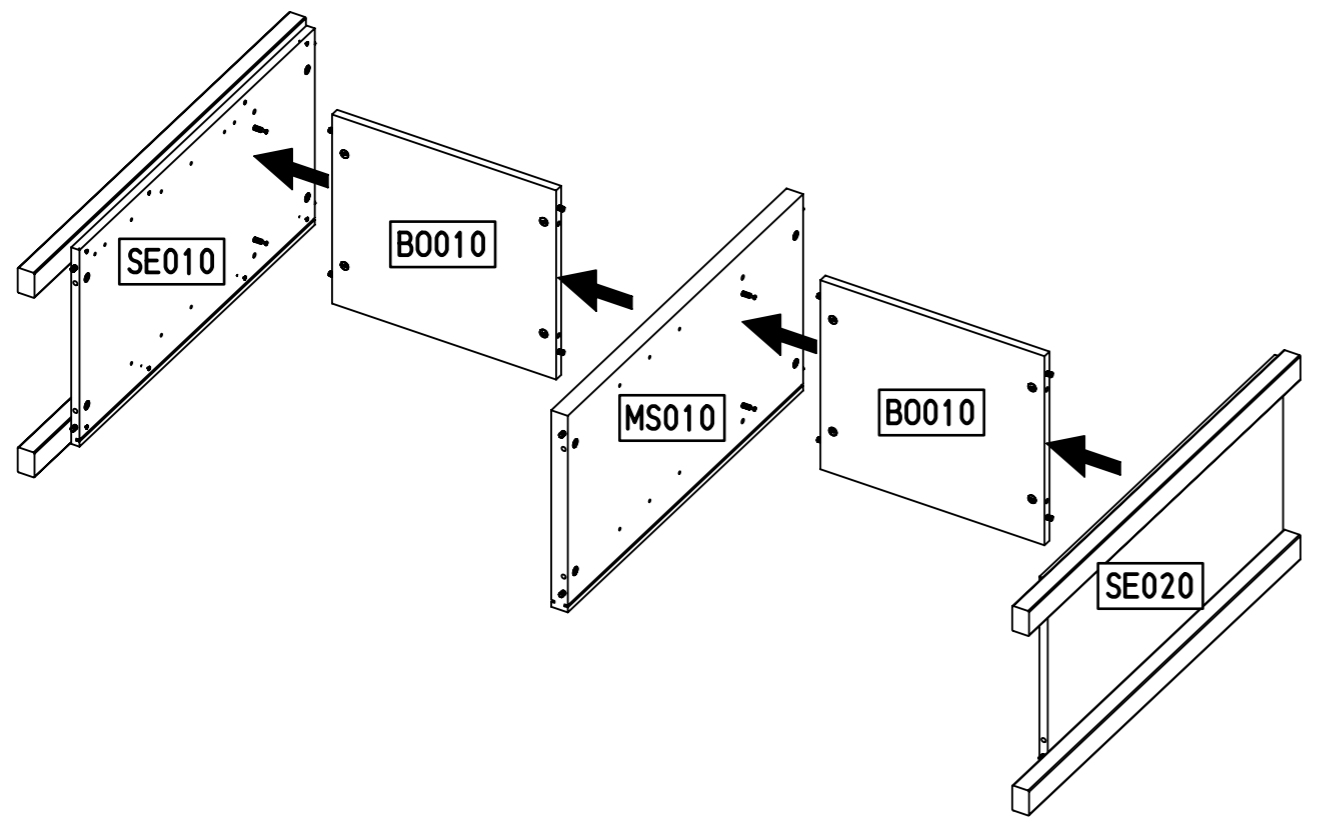
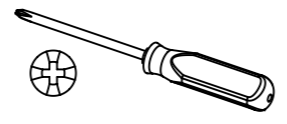


23/10x7,5/6,5

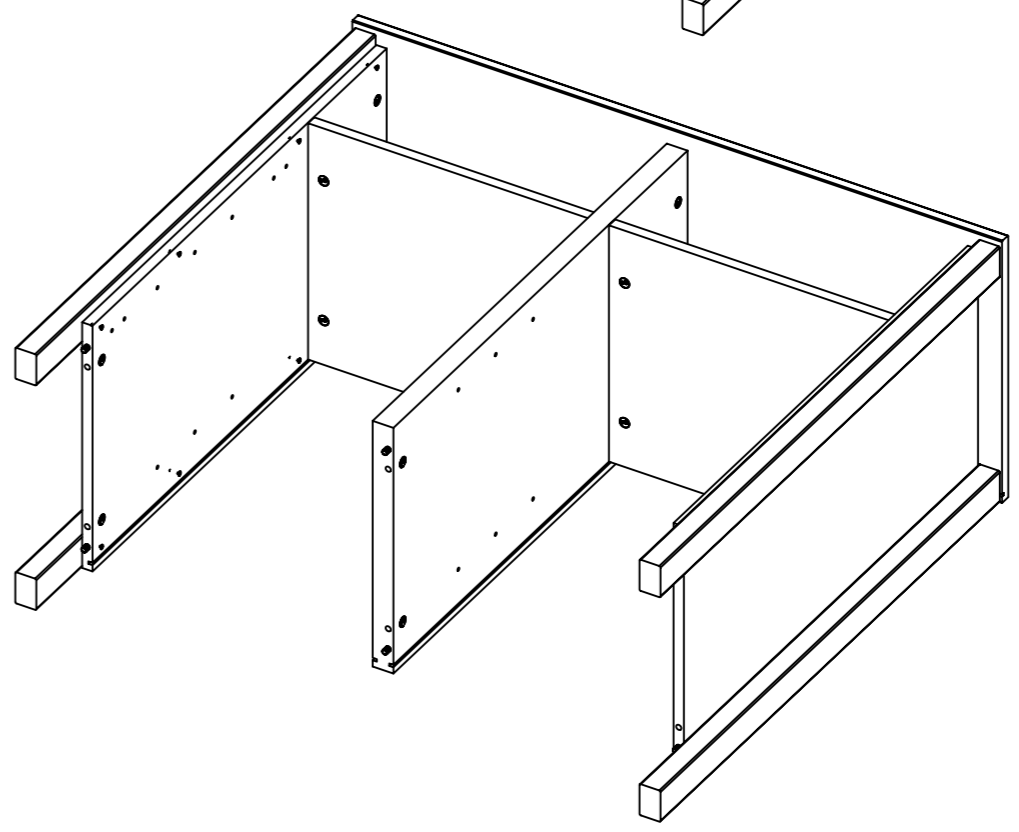
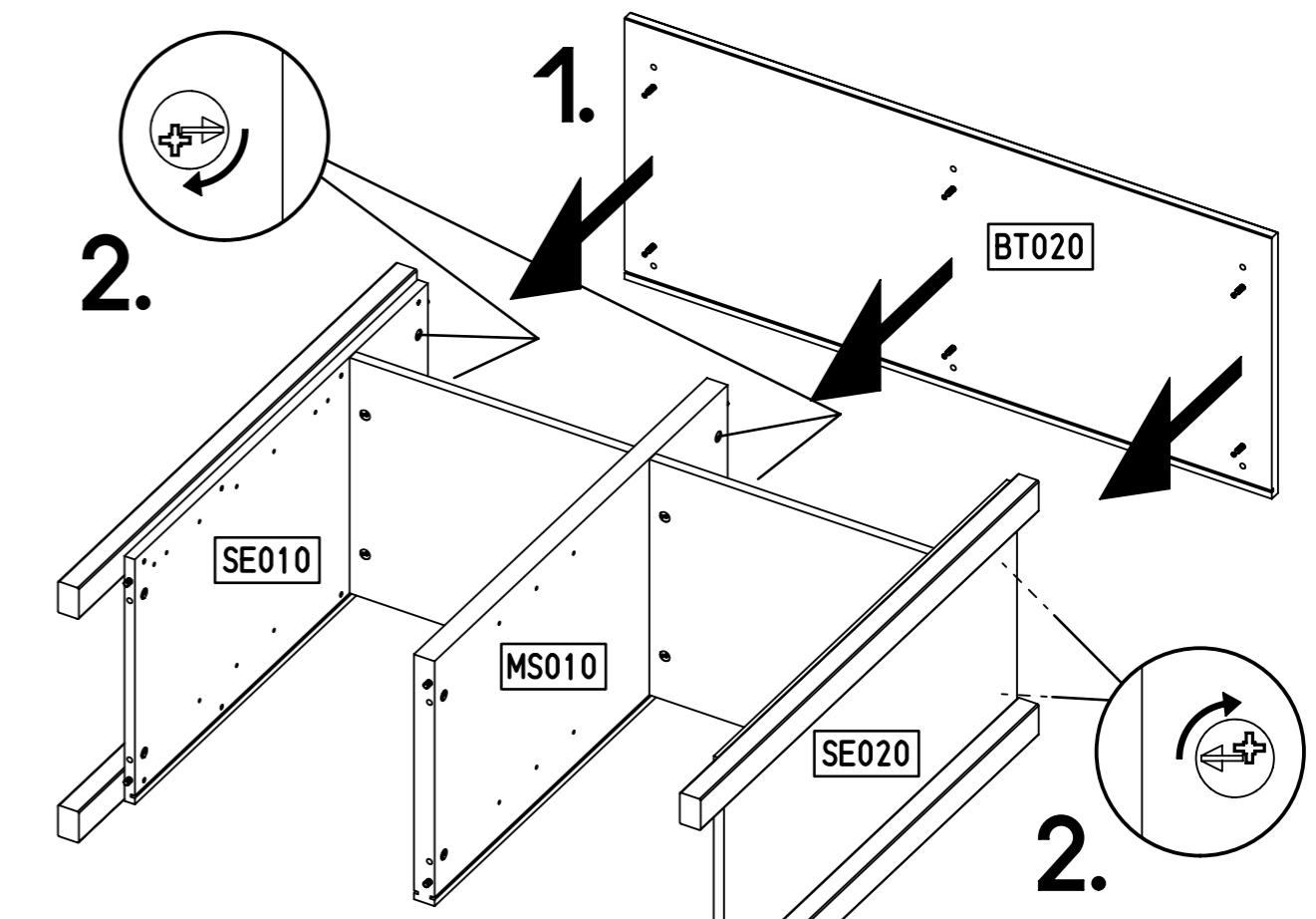
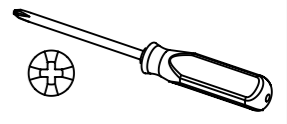


M2371

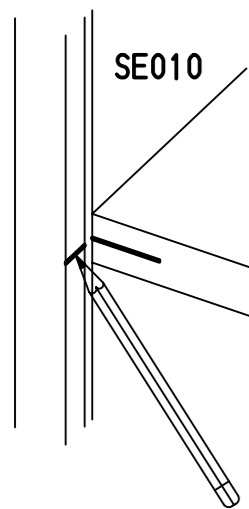
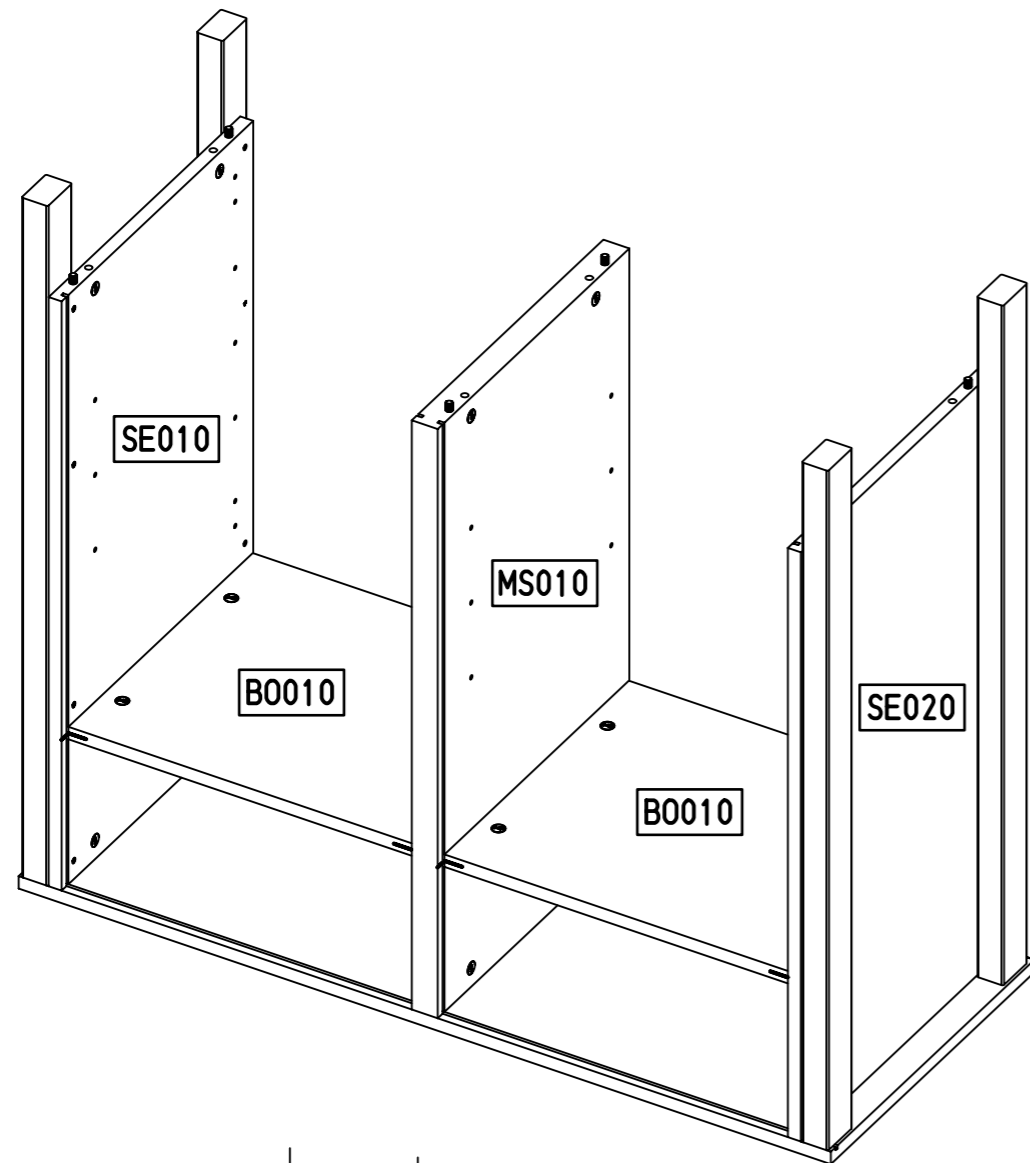
9



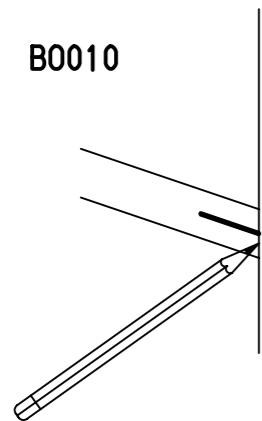
10



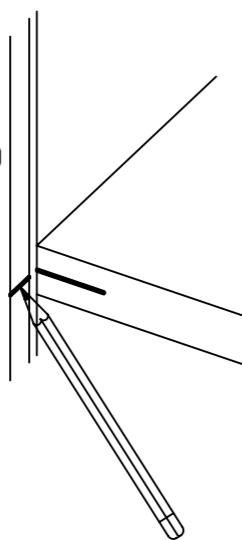
11



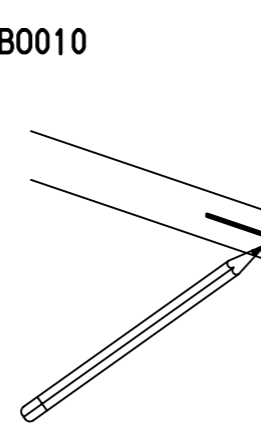
B0010



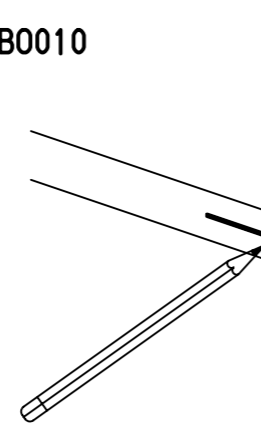
MS010



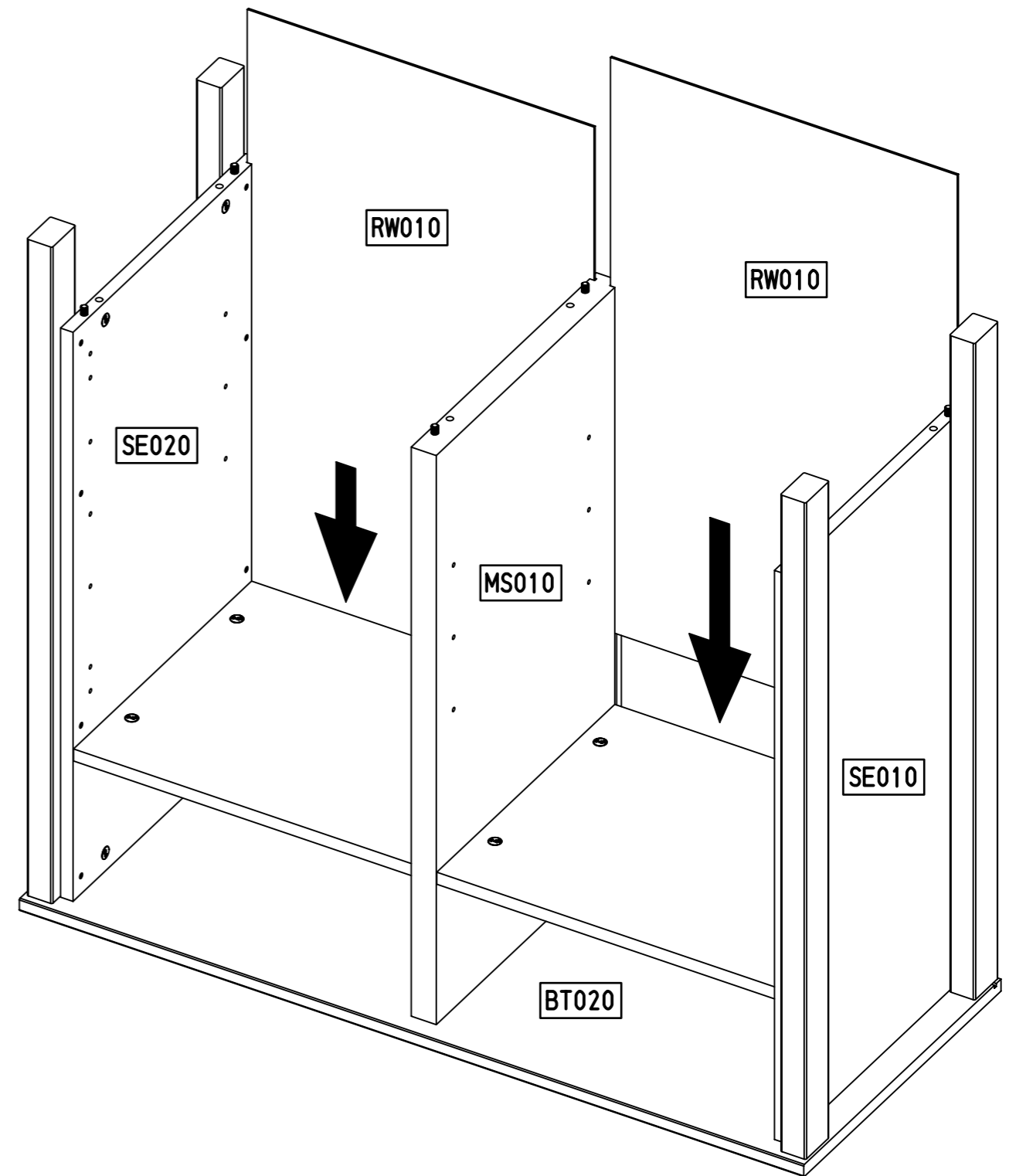
B0010



SE020



12



RW010

RW010

SE020



MS010



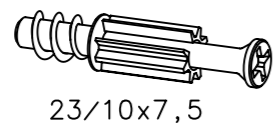
SE010

BT020

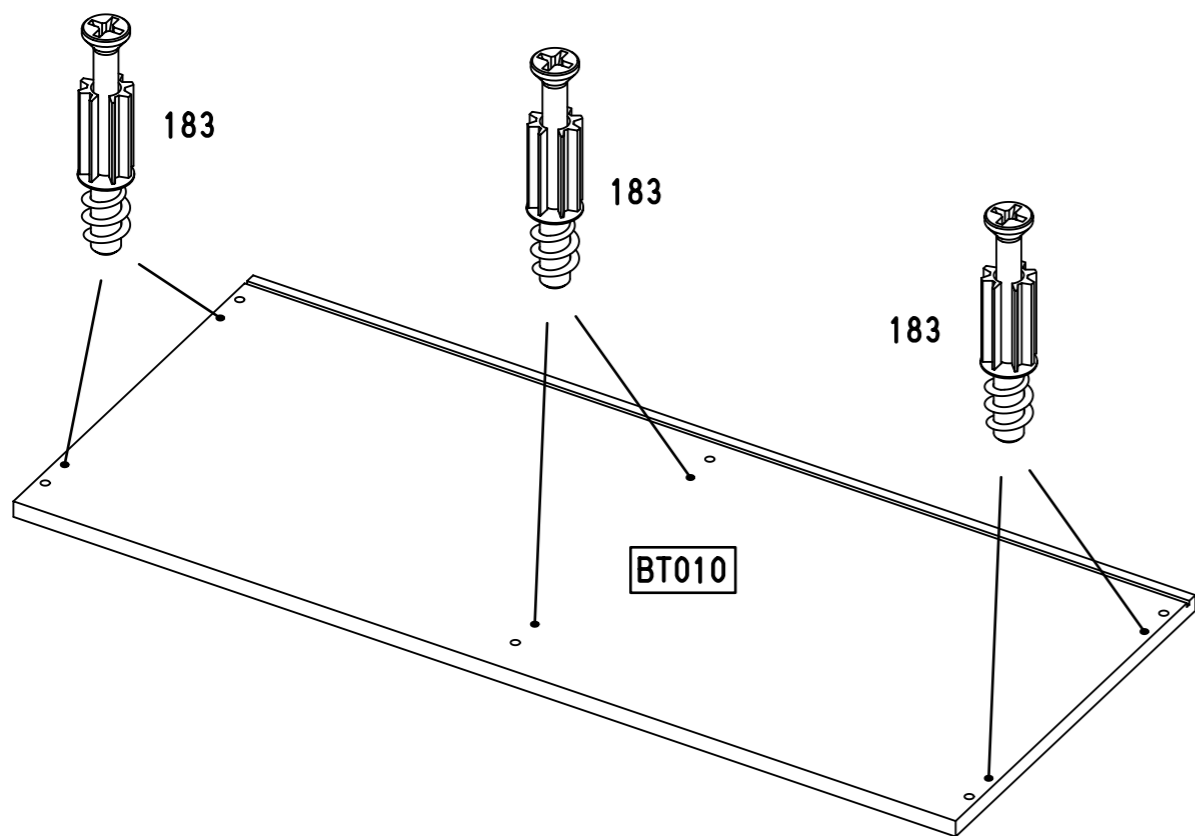
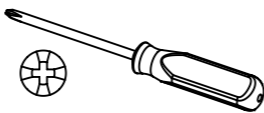
17.

13

6x 183



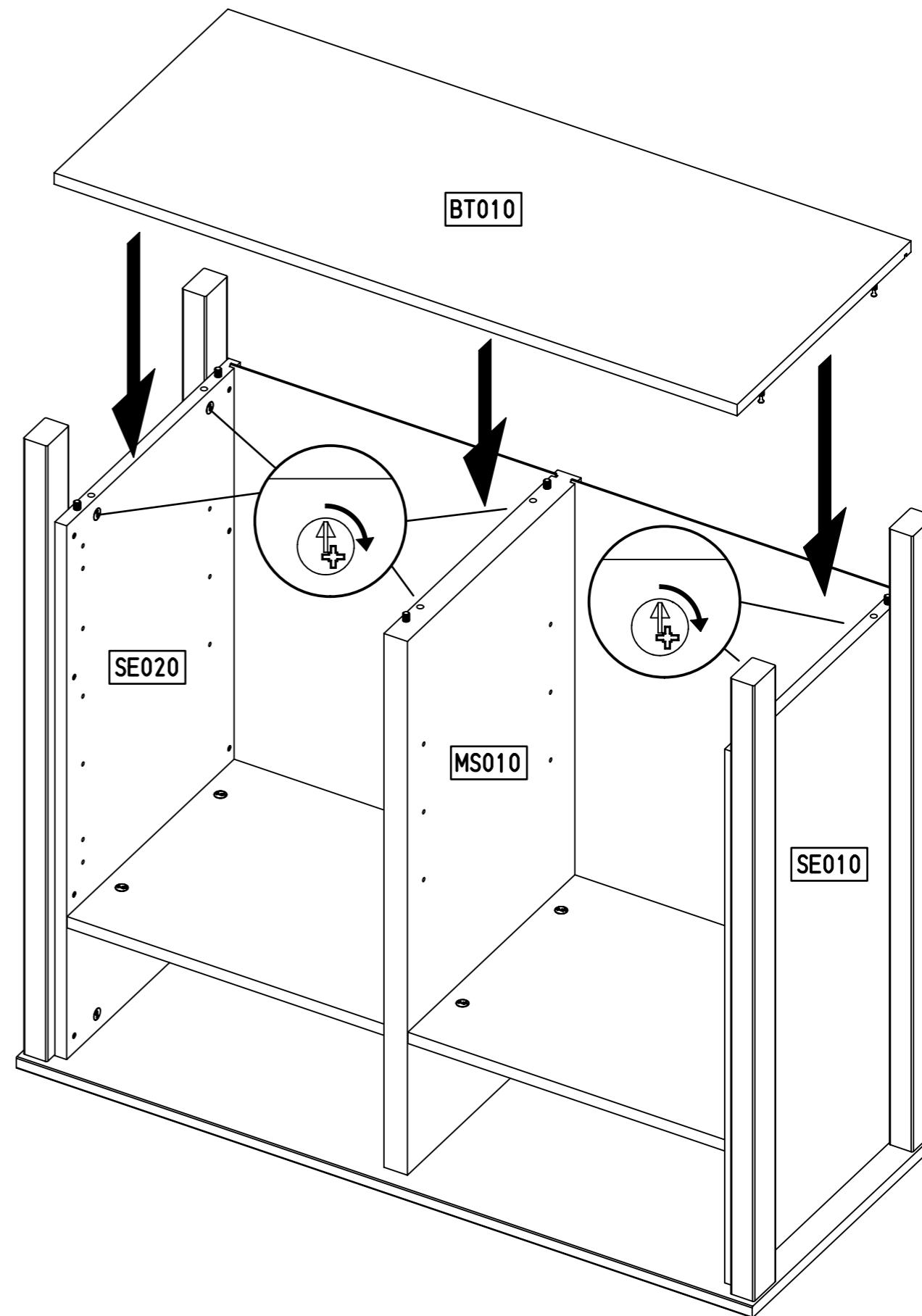
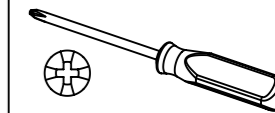
23/10x7,5



M2371

18.

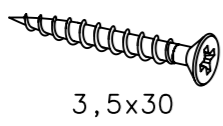
14



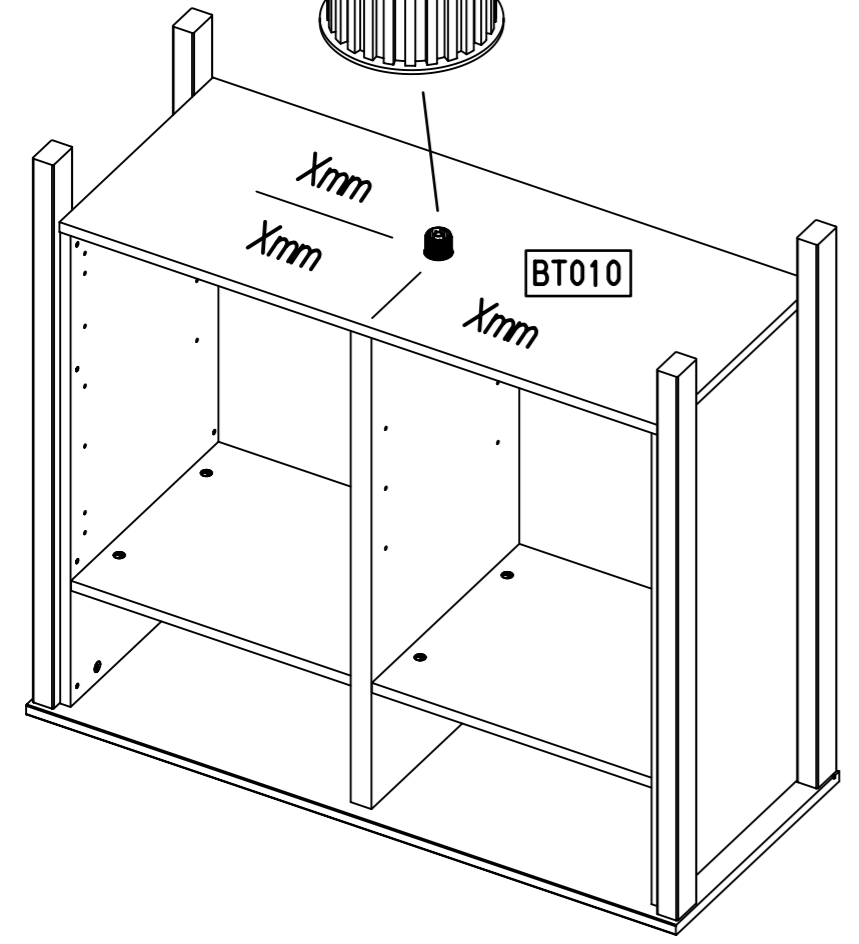
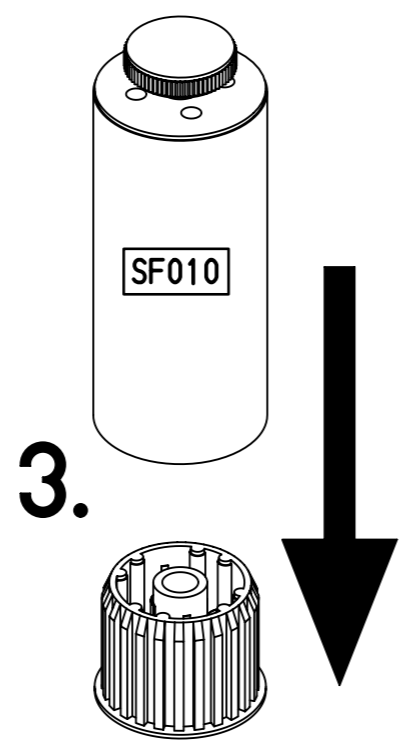
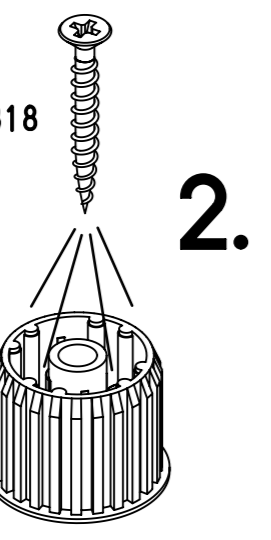
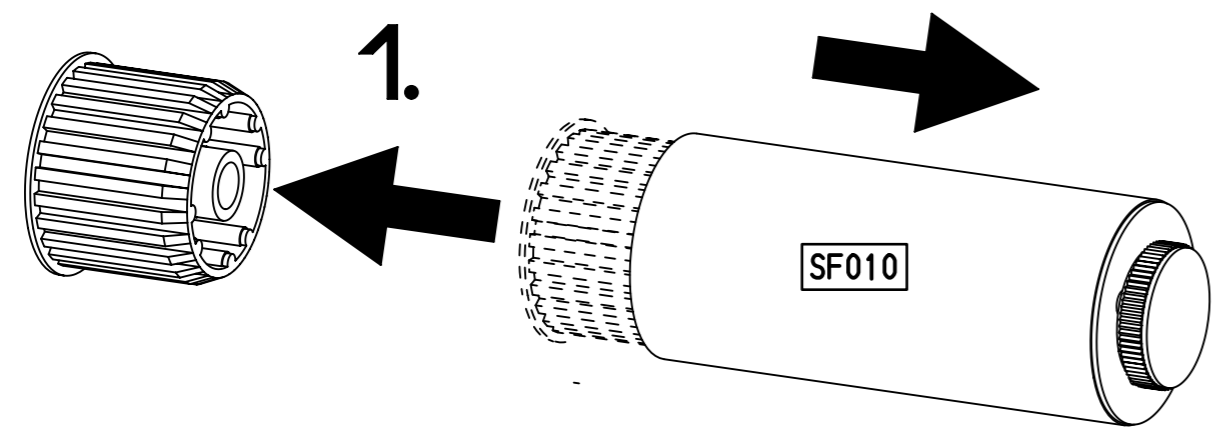
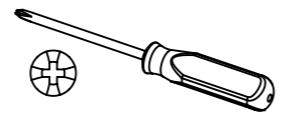
M2371

15

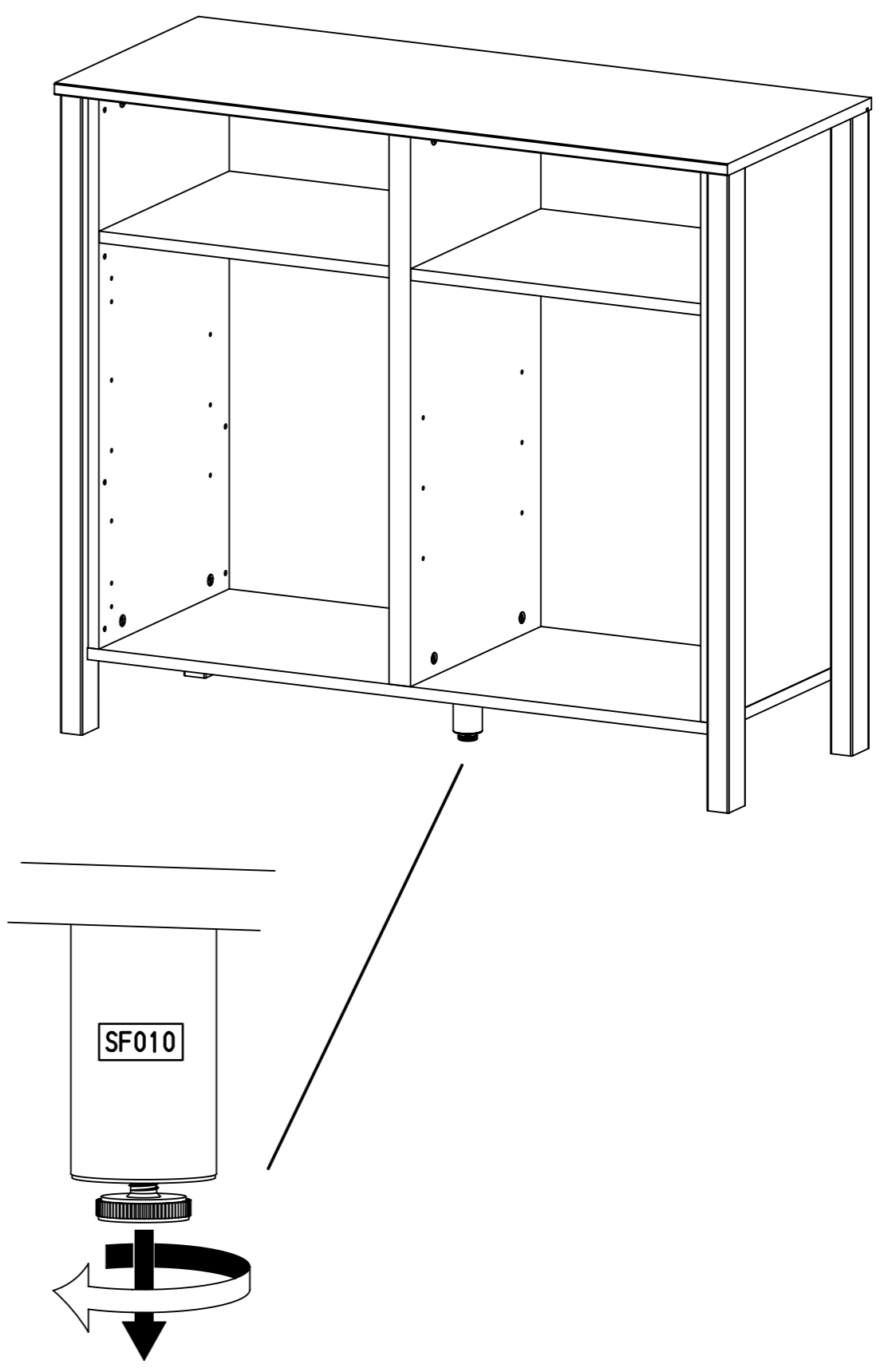
4x 318



3,5x30

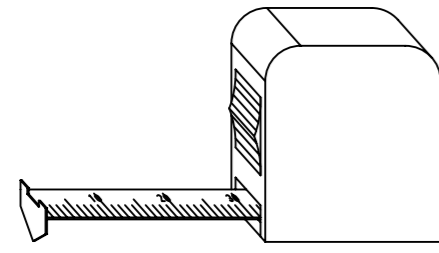
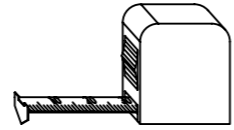
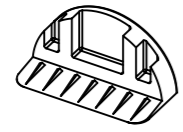


16

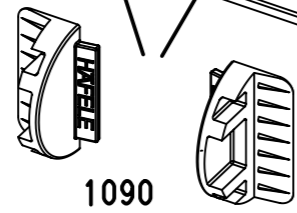
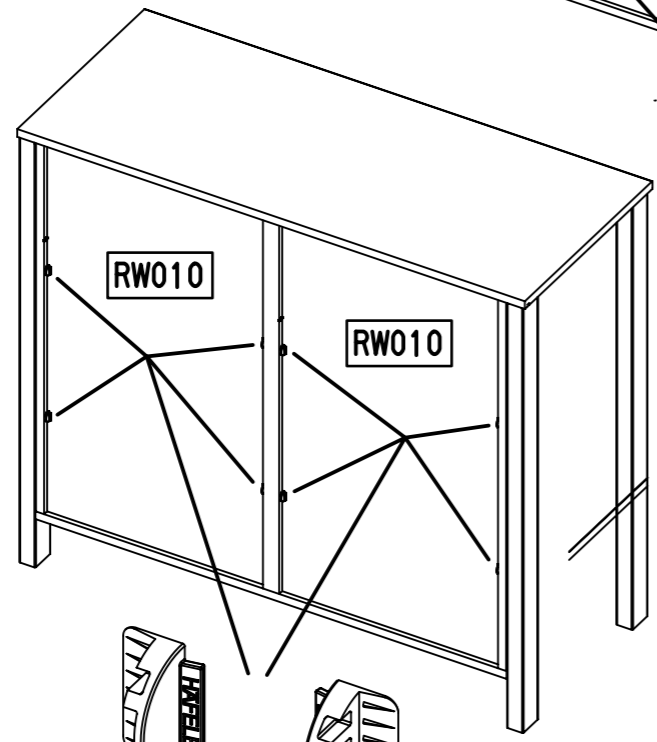
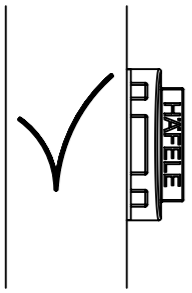
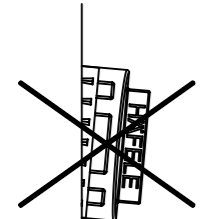
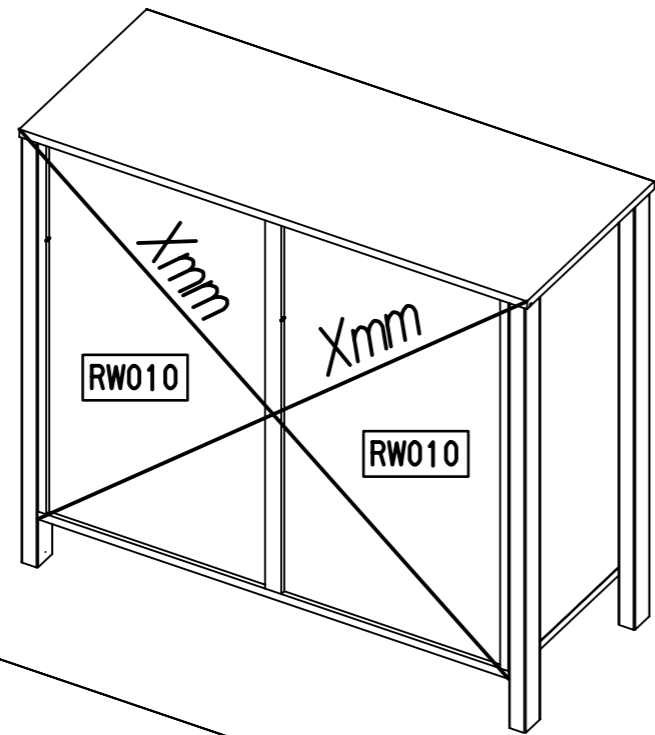


17

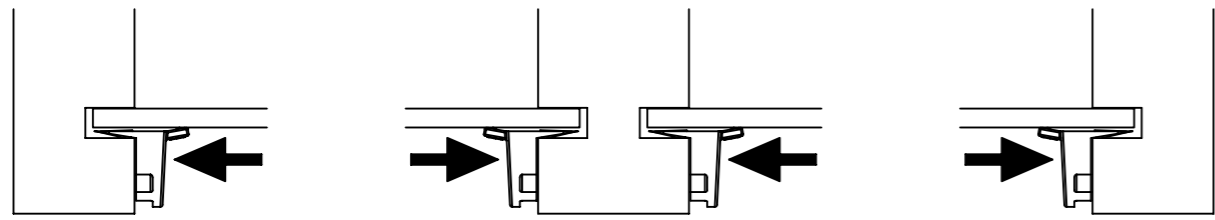
8x 1090



Xmm = Xmm

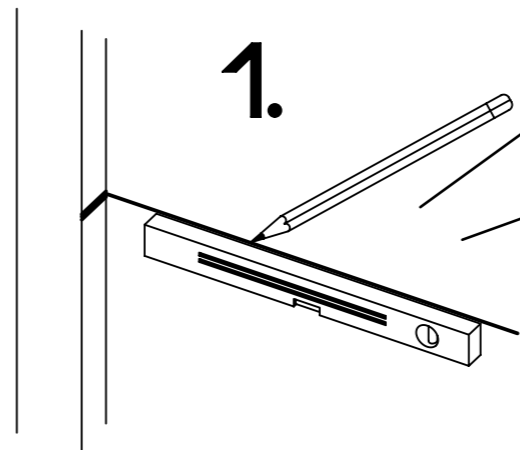
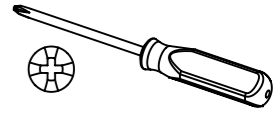
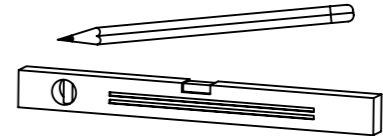
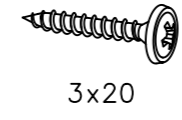


1090

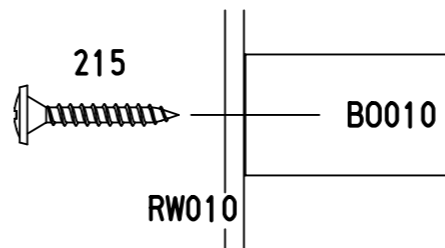
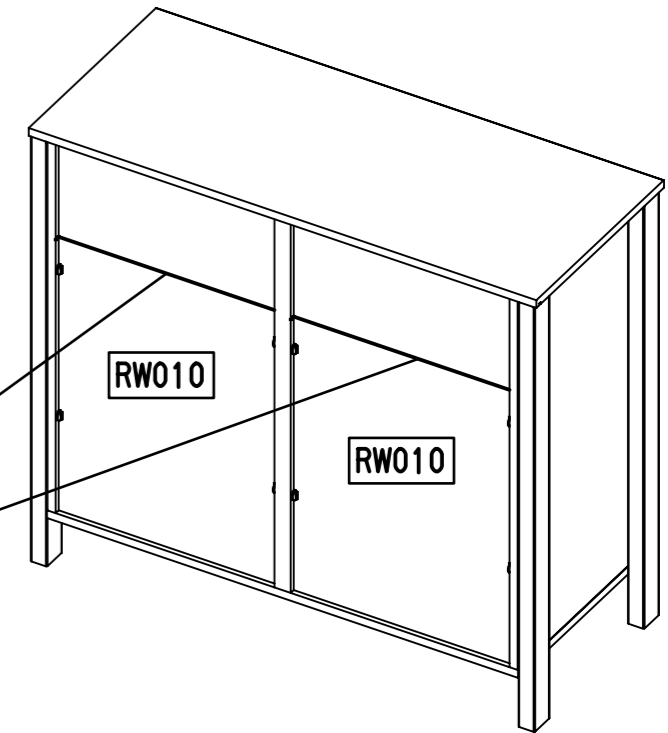


18

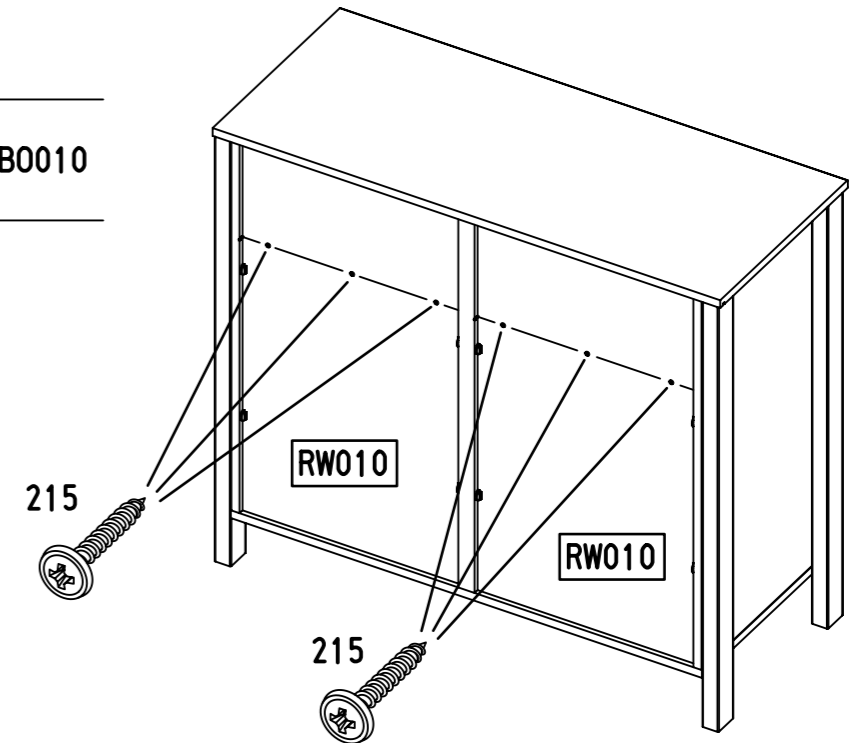
6x 215



1.

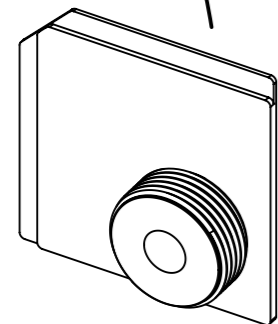
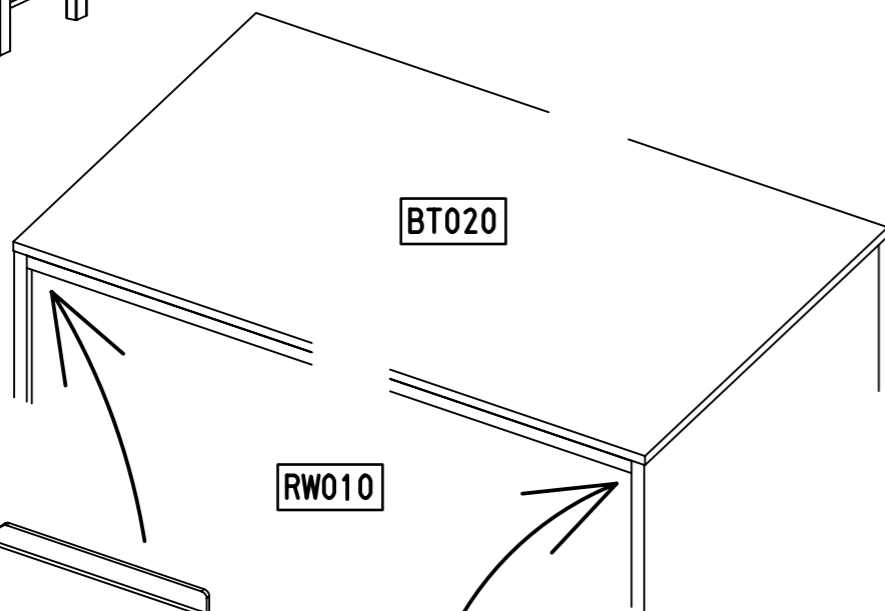
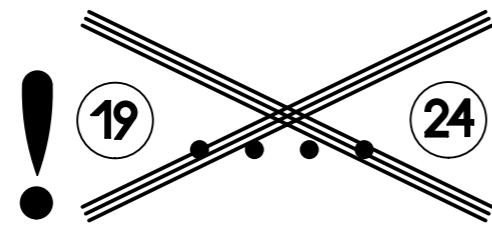
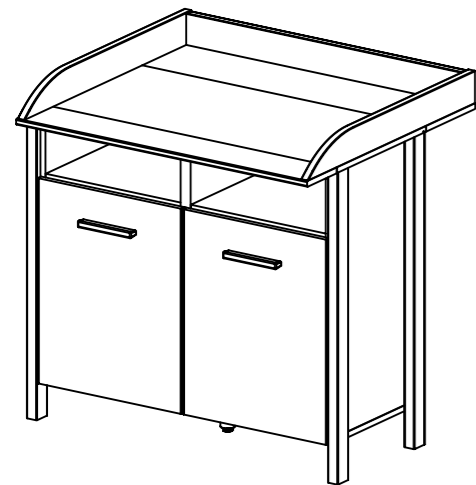
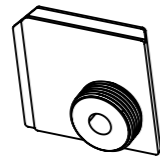


2.

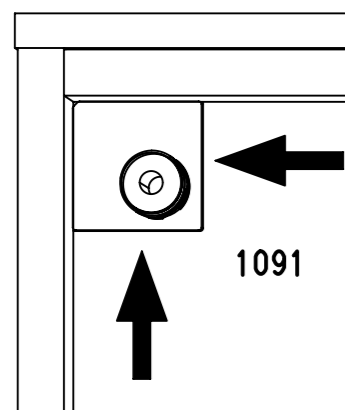
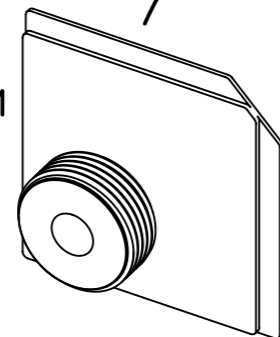


19

2x 1091

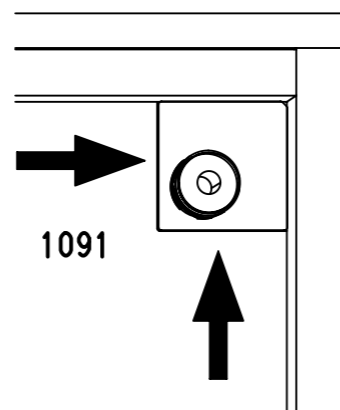


1091



1091

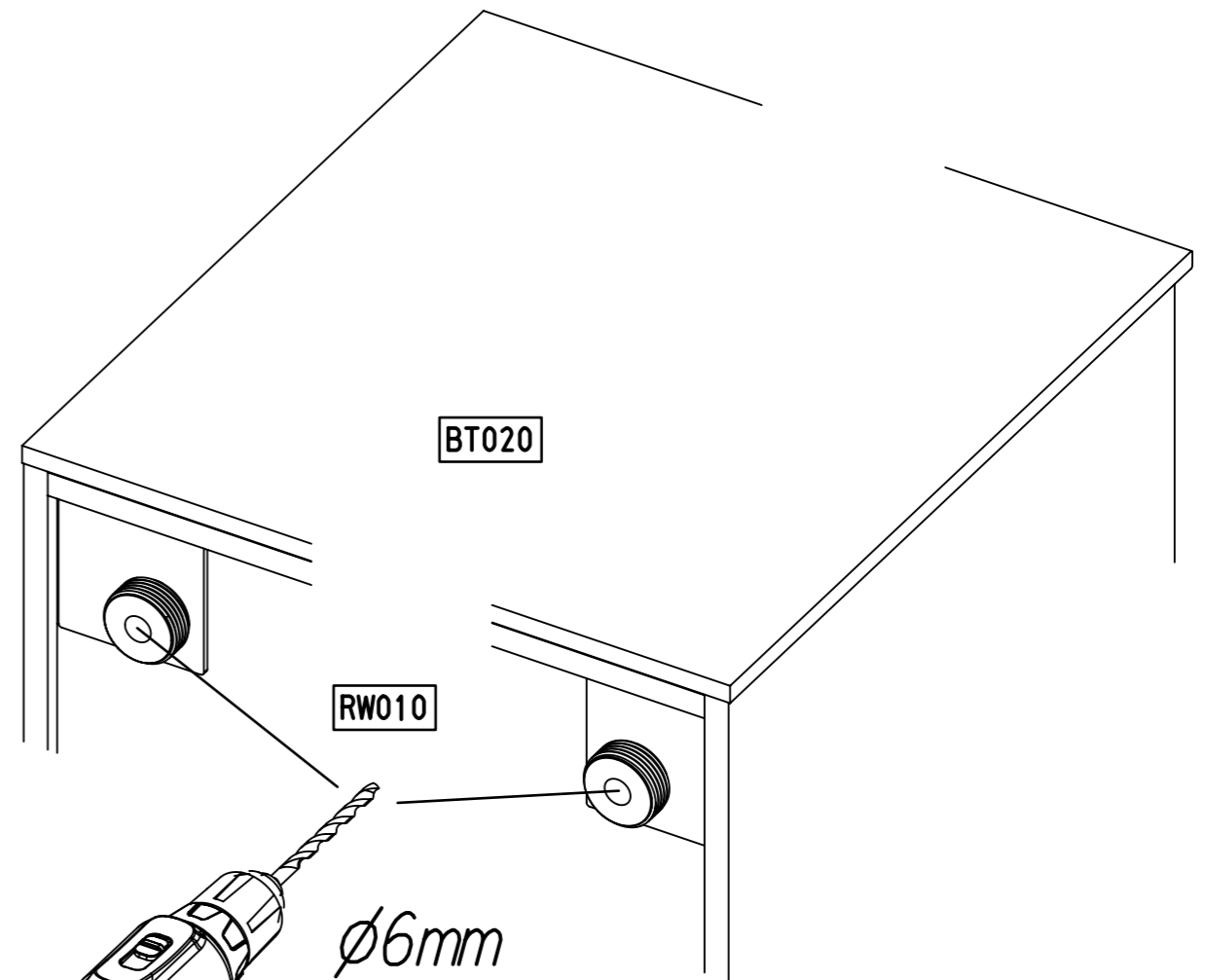
RW010



1091

20

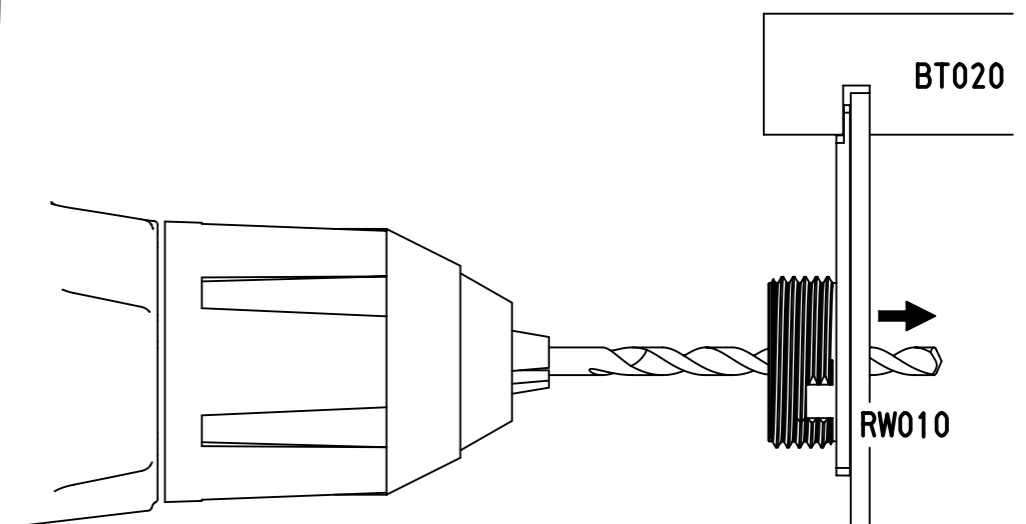
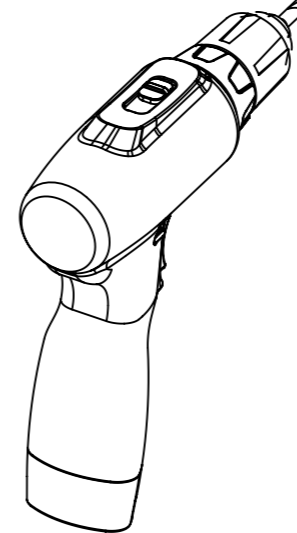
ø6mm



BT020

RW010

ø6mm

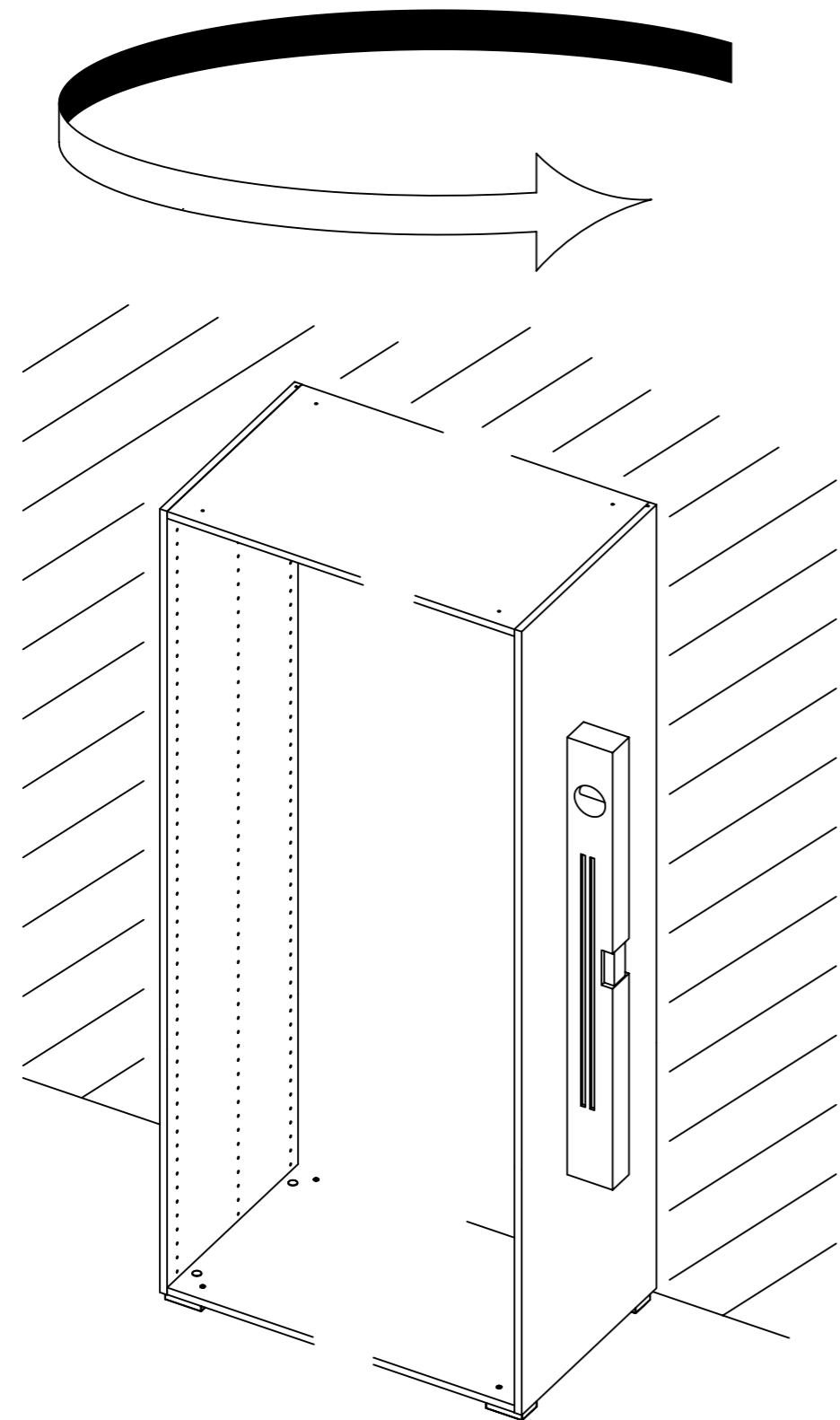
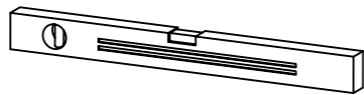


BT020

RW010

25.

21

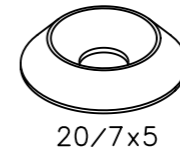


M2371

26.

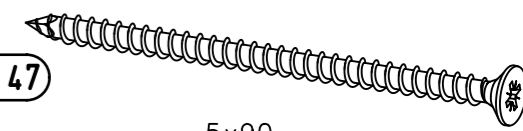
22

2x 1093

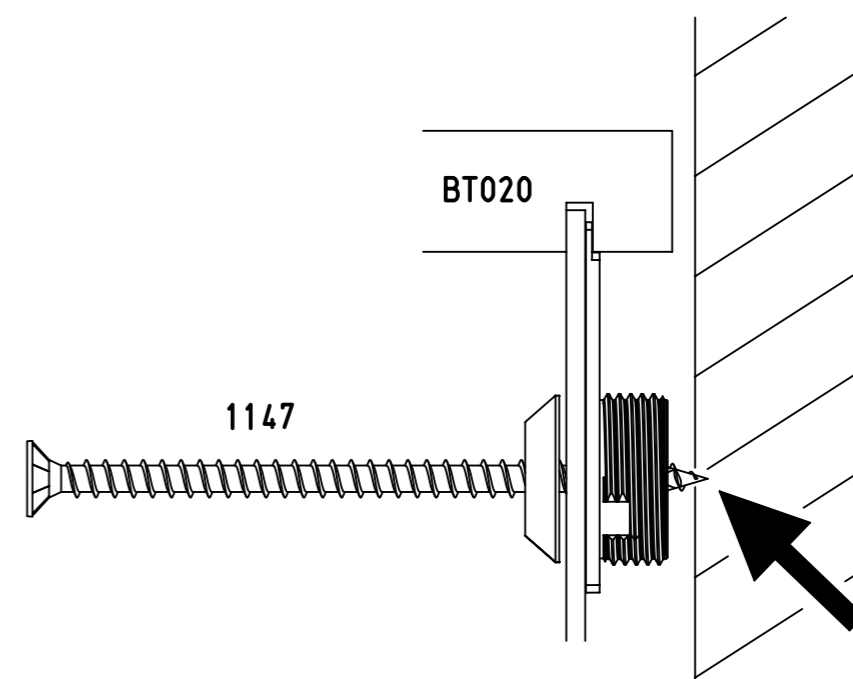
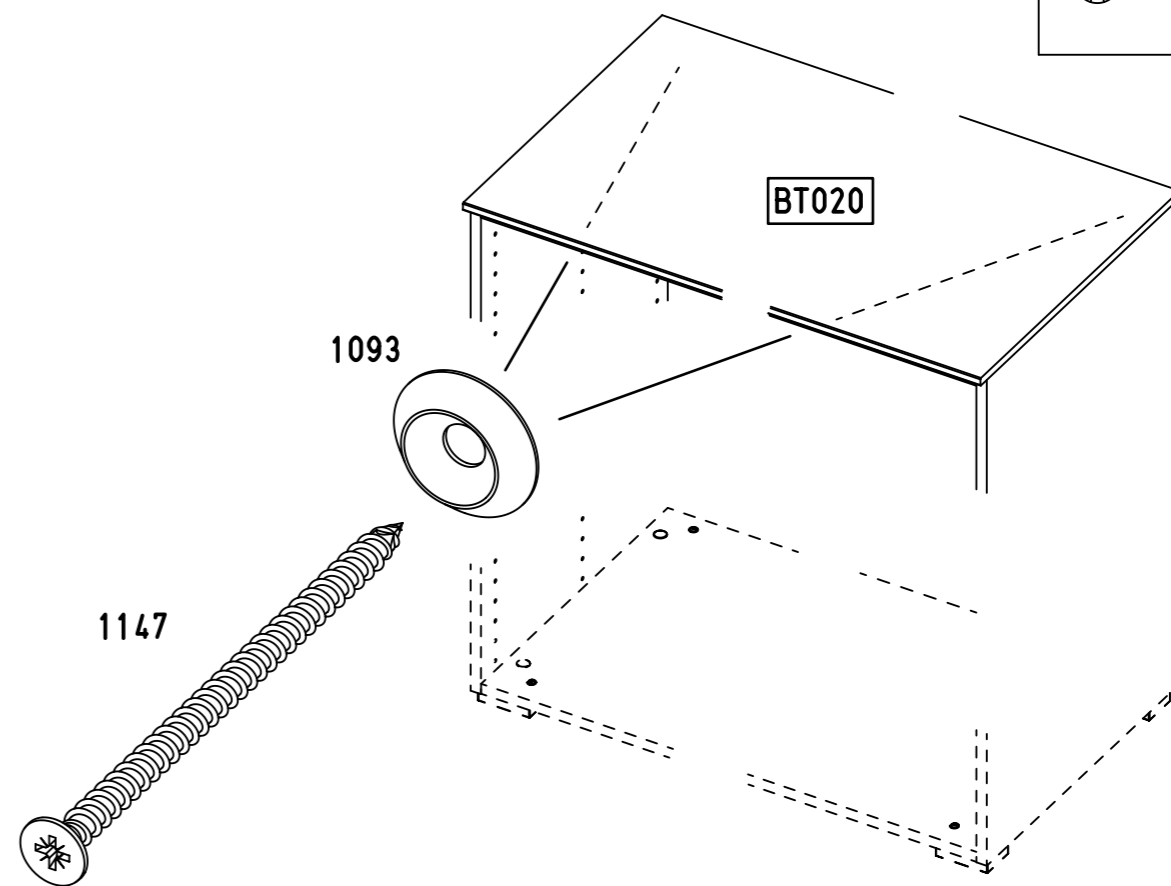
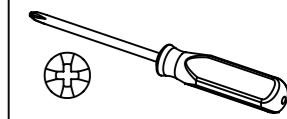


20/7x5

2x 1147

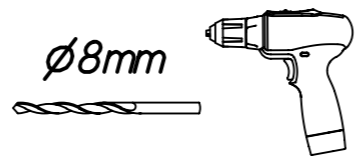


5x90

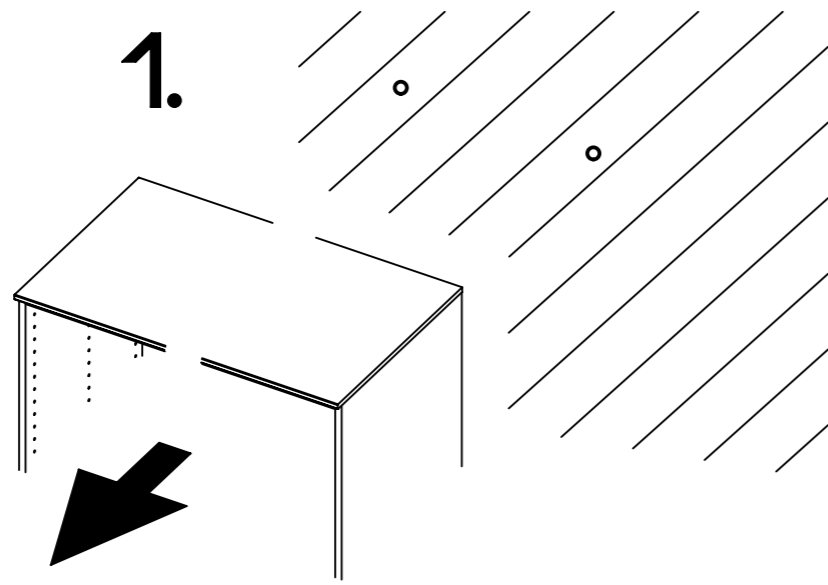


M2371

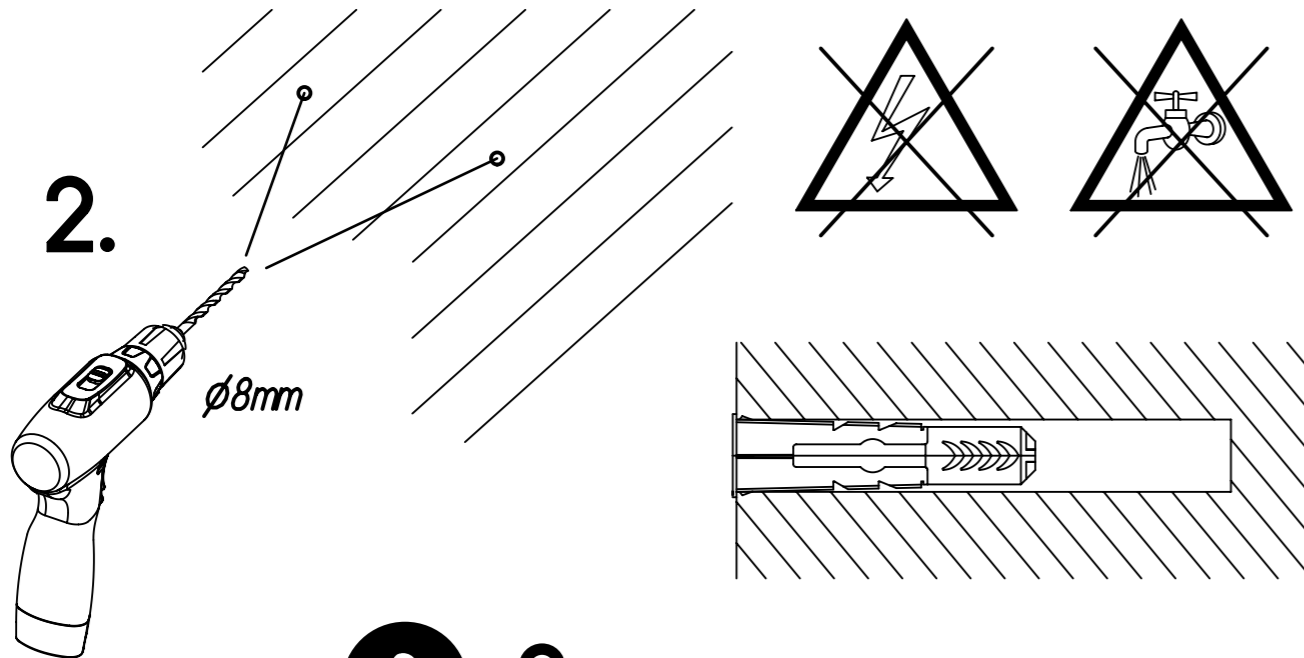
23



1.

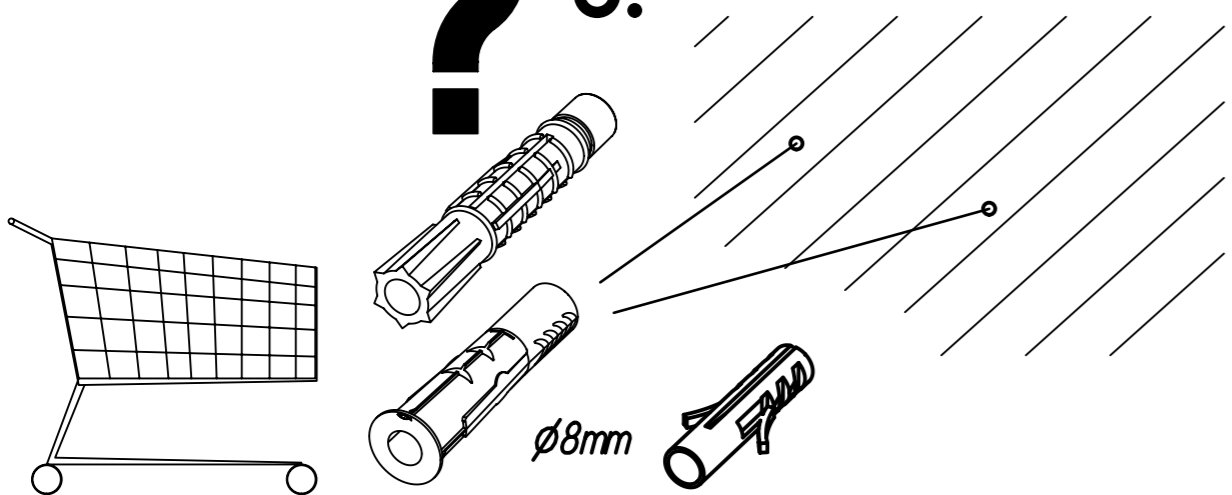


2.

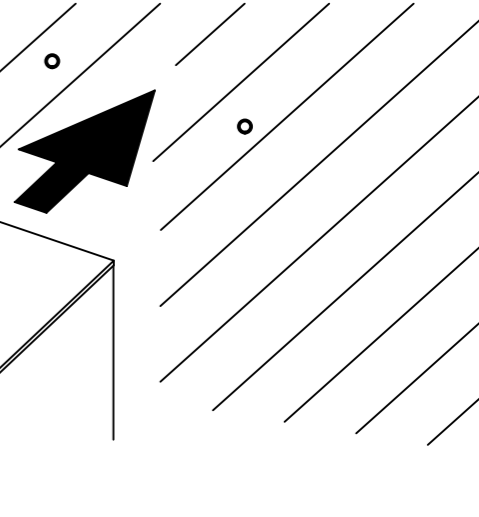


?

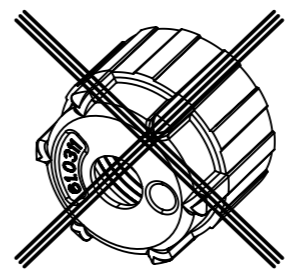
3.



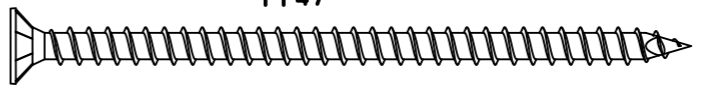
24



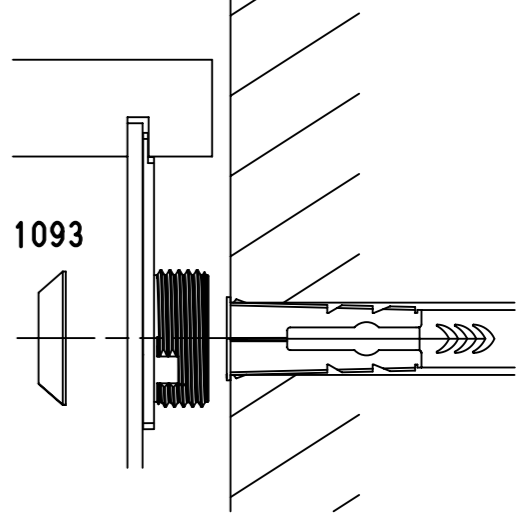
1092



1147



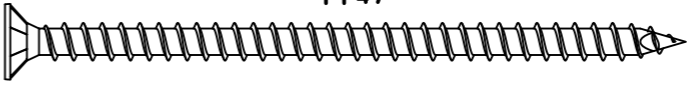
1093



10-15mm

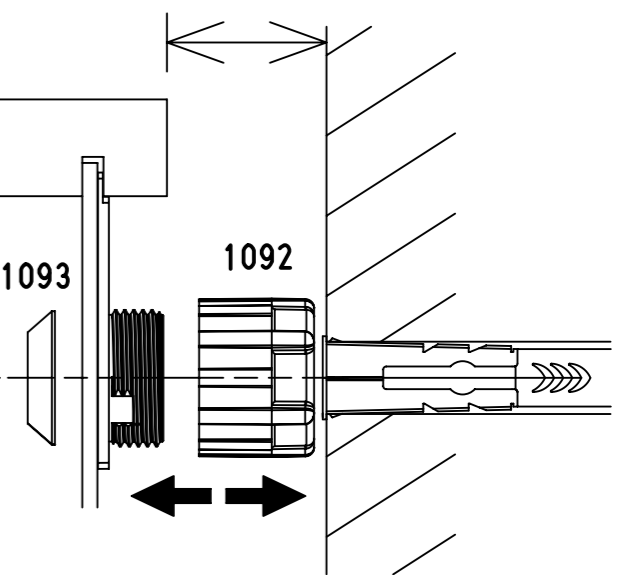


1147



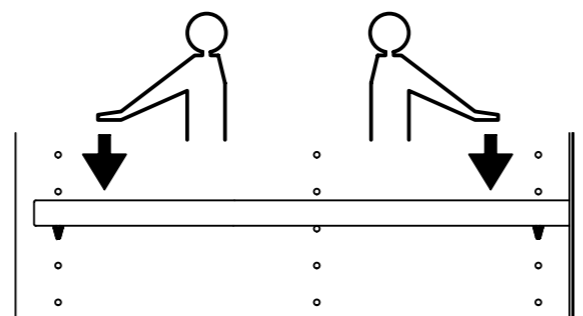
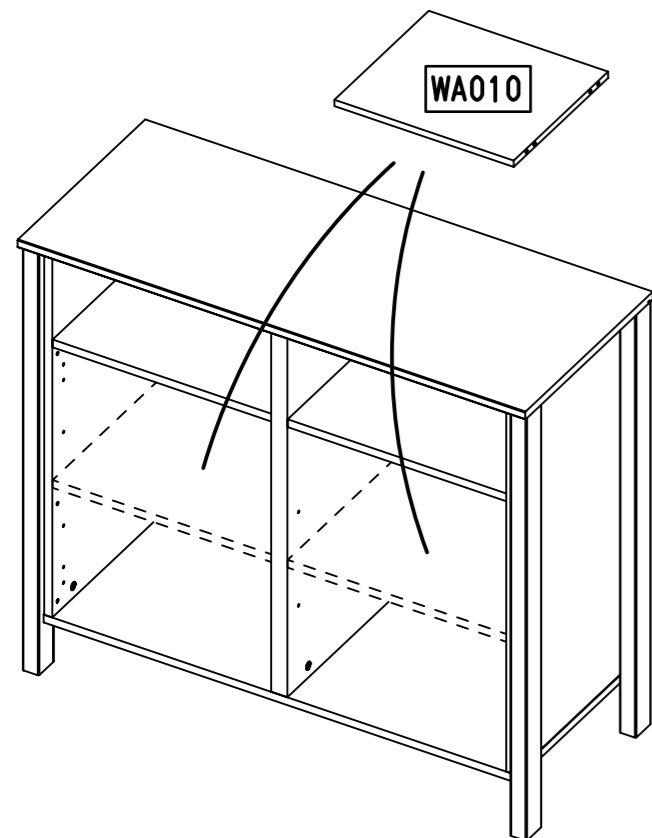
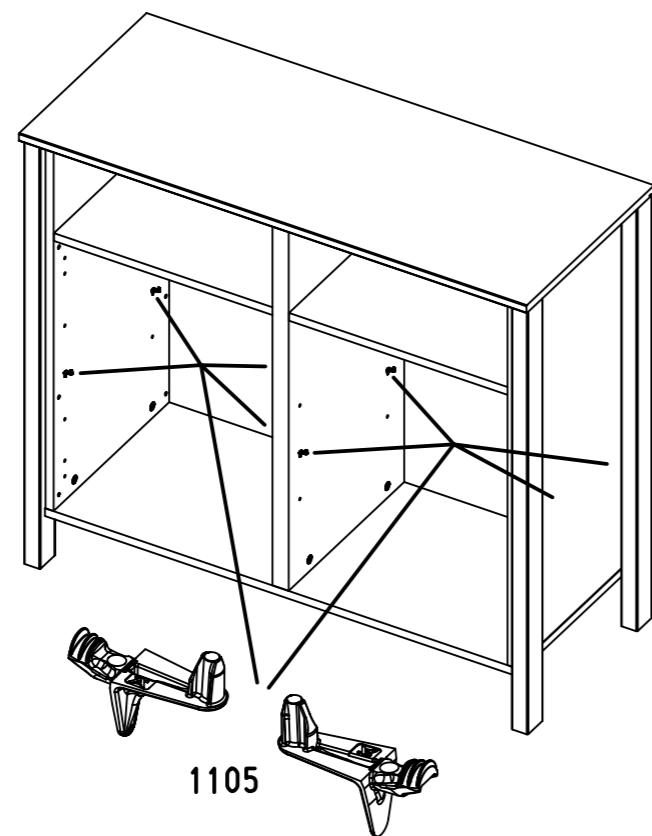
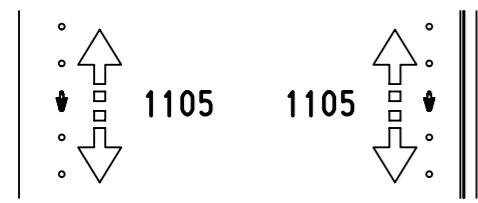
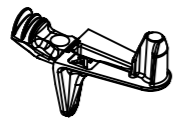
1093

1092



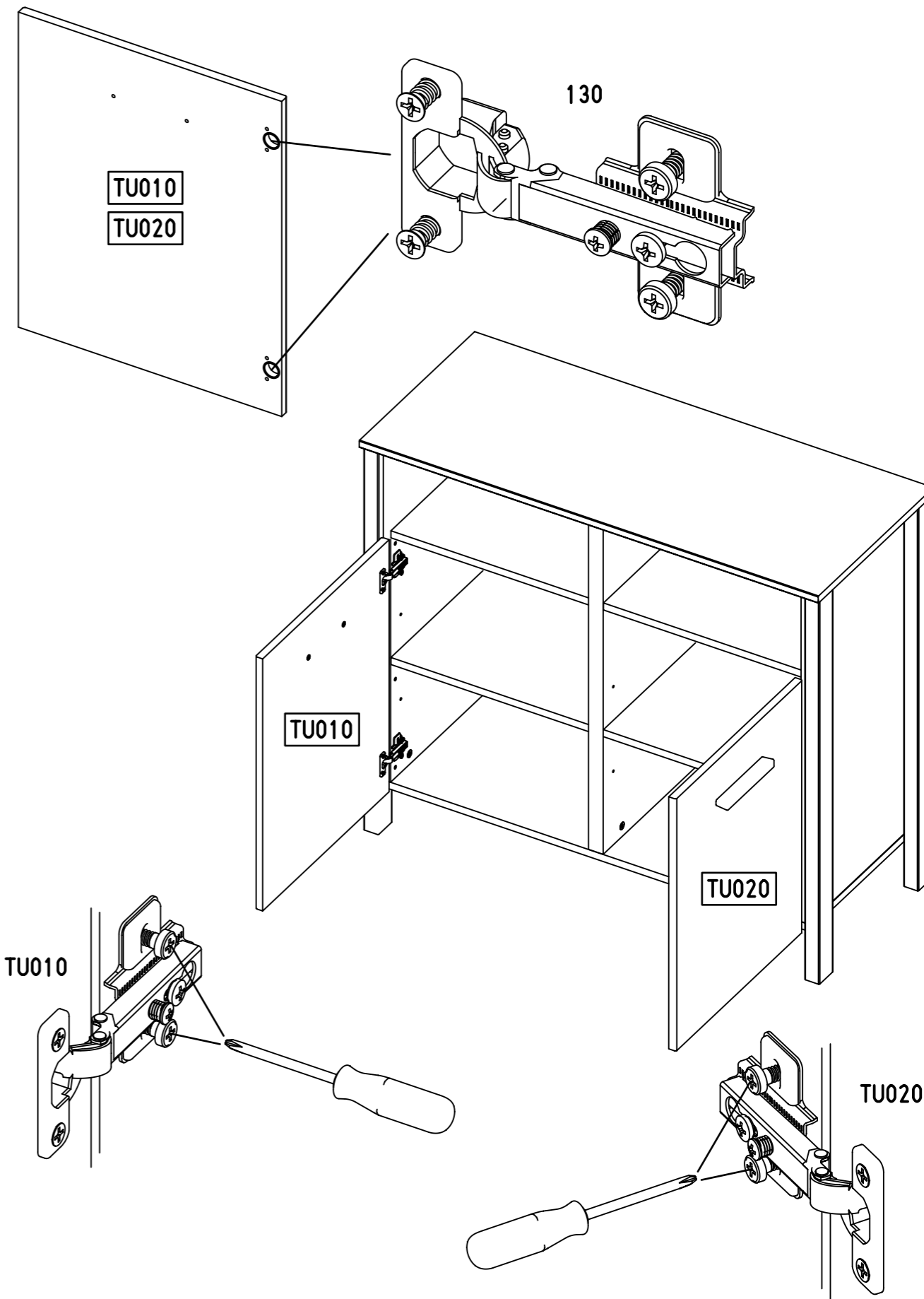
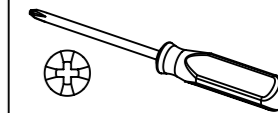
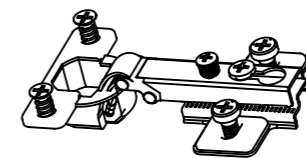
25

8x 1105



26

4x 130



27

