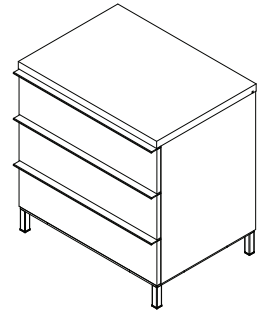
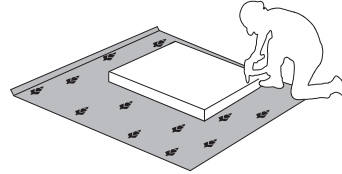
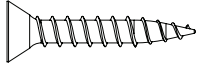
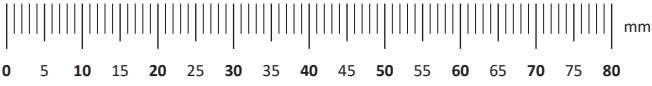
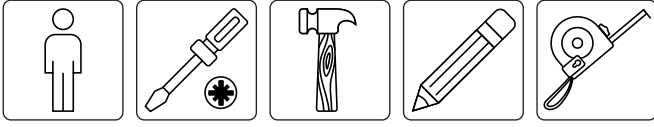


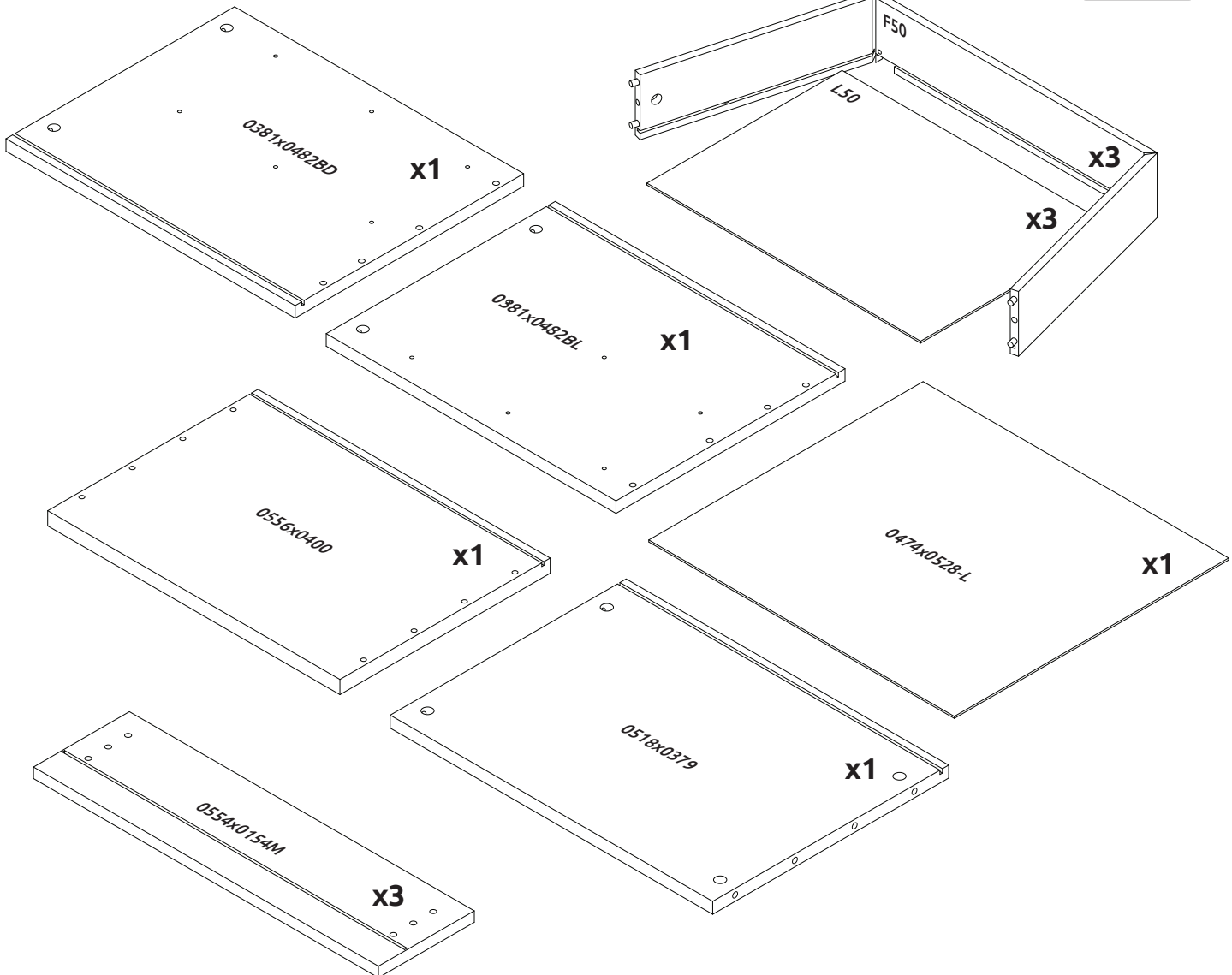
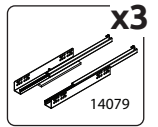


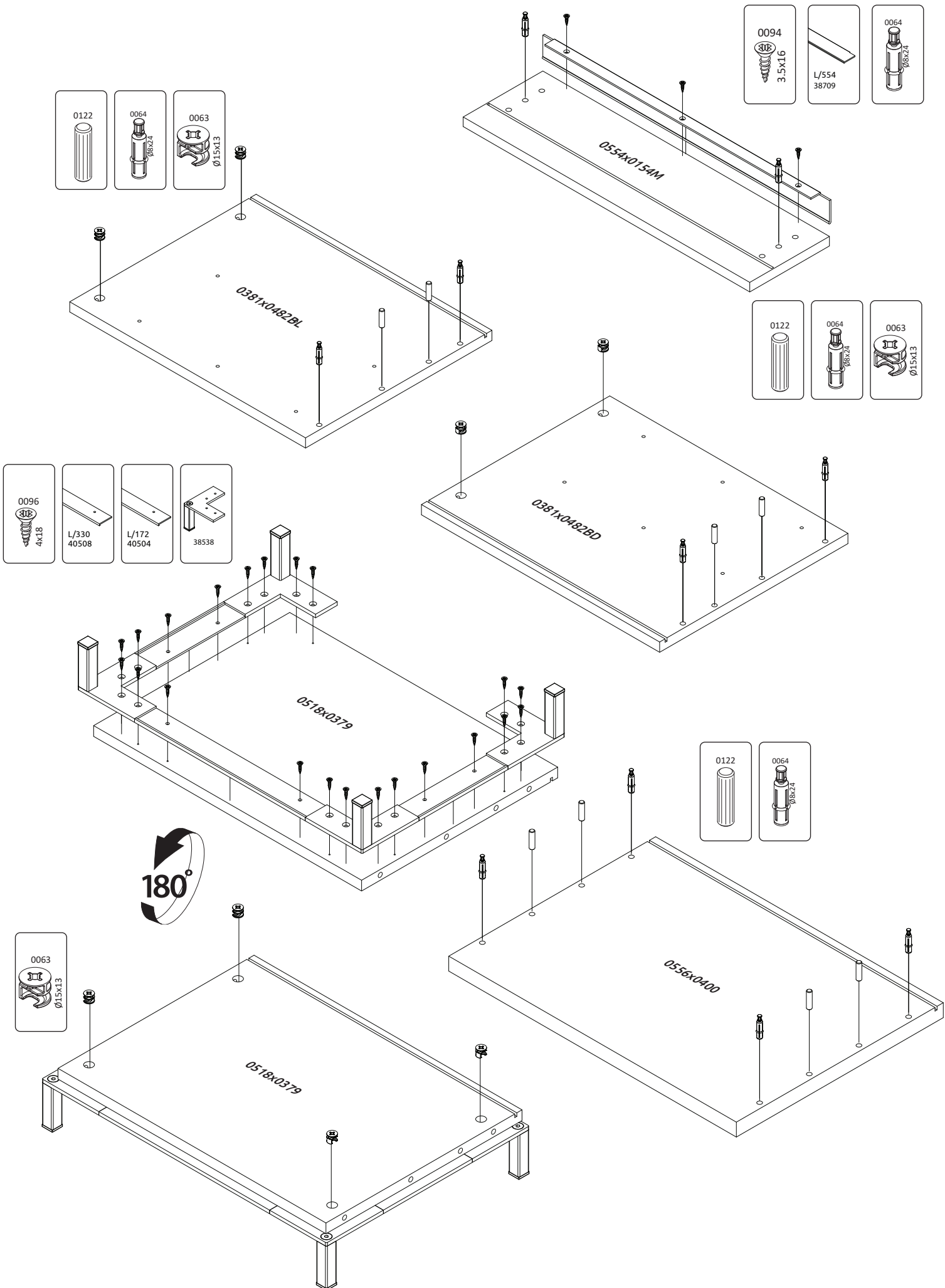
IMPORTANT - READ CAREFULLY - RETAIN FOR FUTURE REFERENCE
WICHTIG - SORGFÄLTIG LESEN UND AUFBEWAHREN

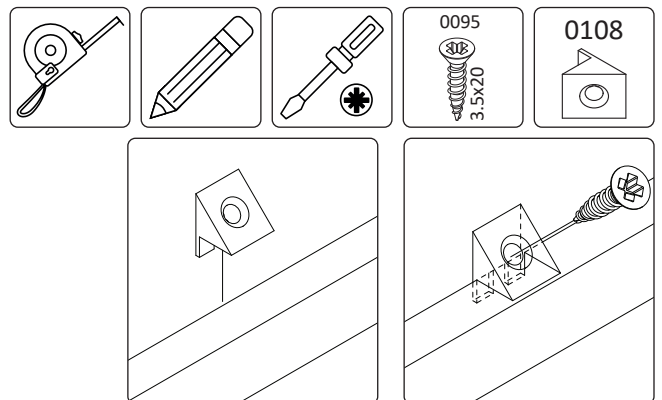
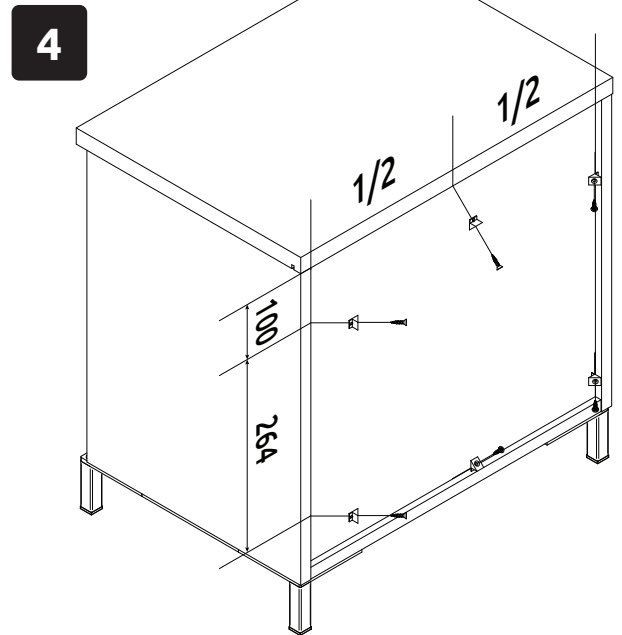
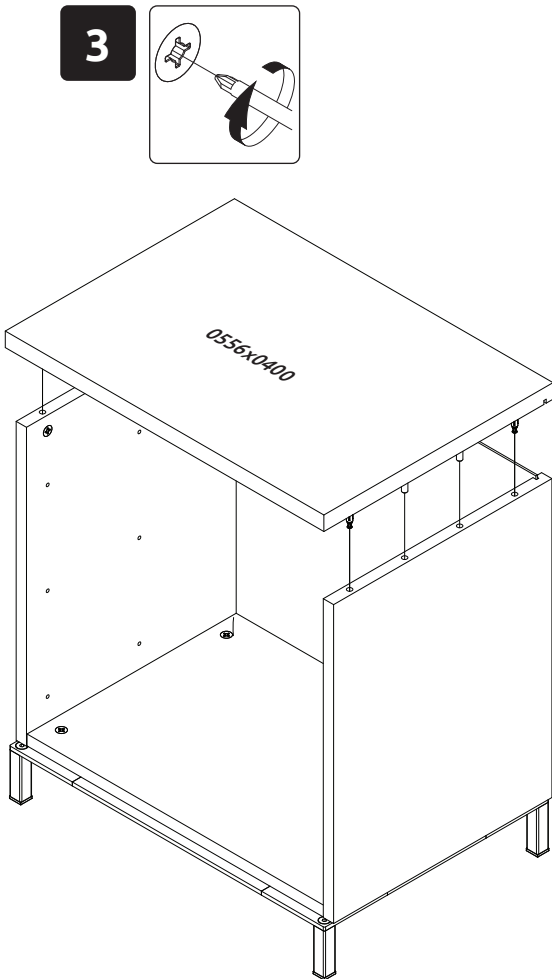
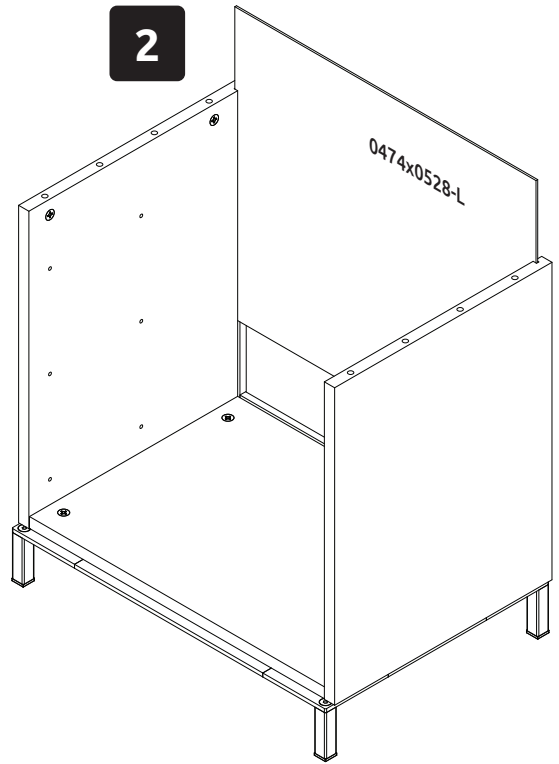
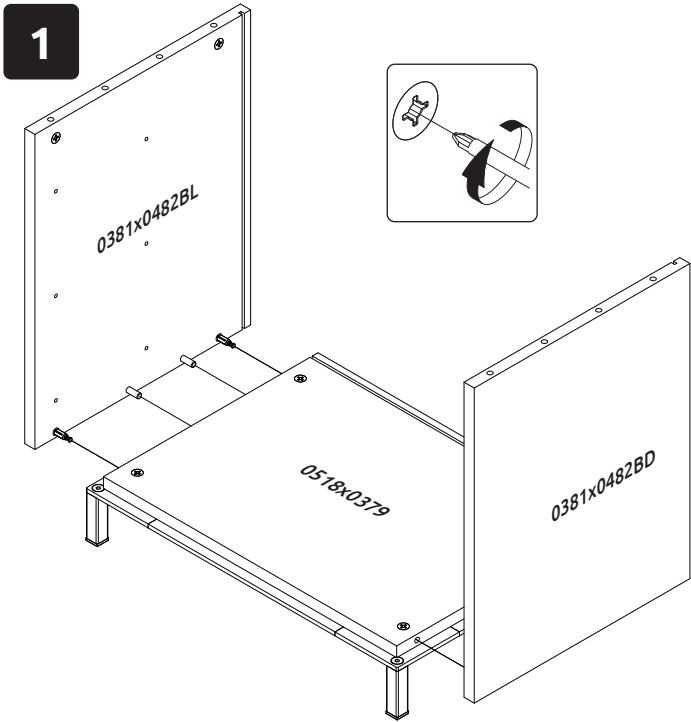


NS3/ON
LHW - 556x587x400

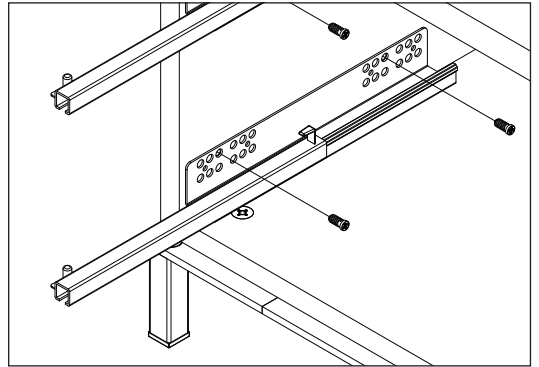
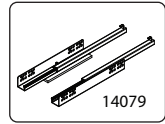
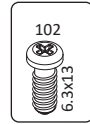
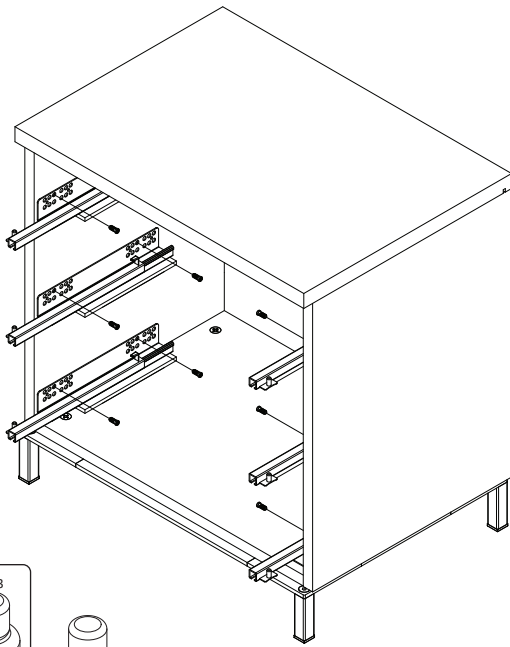
x16 0094 3.5x16	x12 32244 3x20	x22 0096 4x18	x12 102 6.3x13	x8 0122	x14 0064 Ø5x2.4	x8 0063 Ø15x13	x6 0065 Ø15x10	x12 0108	x6 EKSK	x2 0113 GLUE	x3 L/554 38709	x1 L/330 40508	x2 L/172 40504	x4 38538
------------------------------	-----------------------------	----------------------------	-----------------------------	-------------------	------------------------------	-----------------------------	-----------------------------	--------------------	-------------------	---------------------------	-----------------------------	-----------------------------	-----------------------------	--------------------



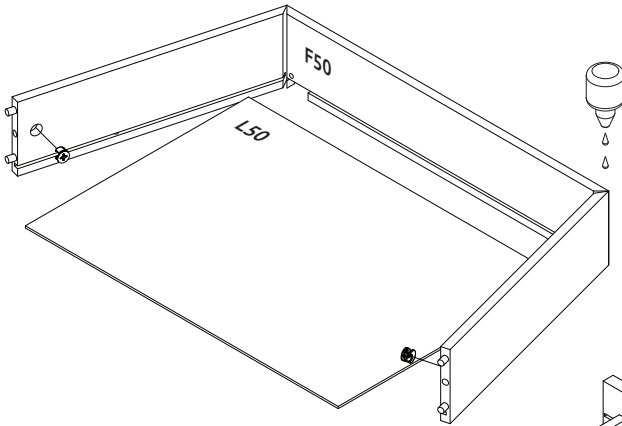




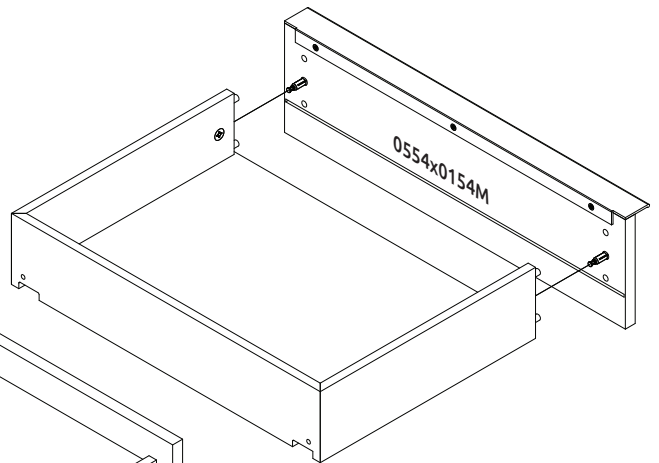
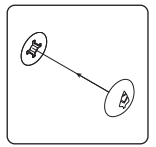
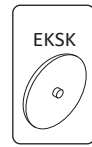
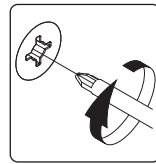
5



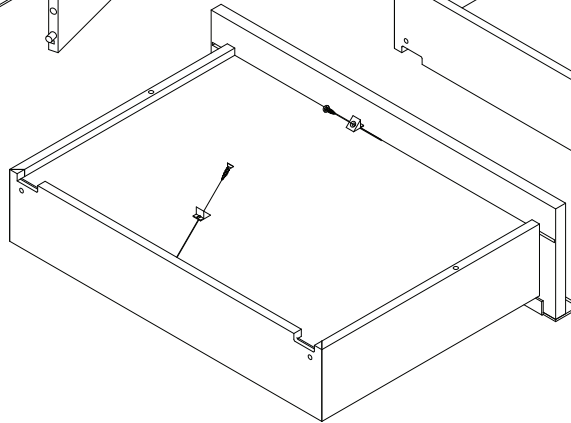
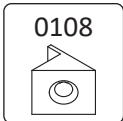
6



7



8



9

