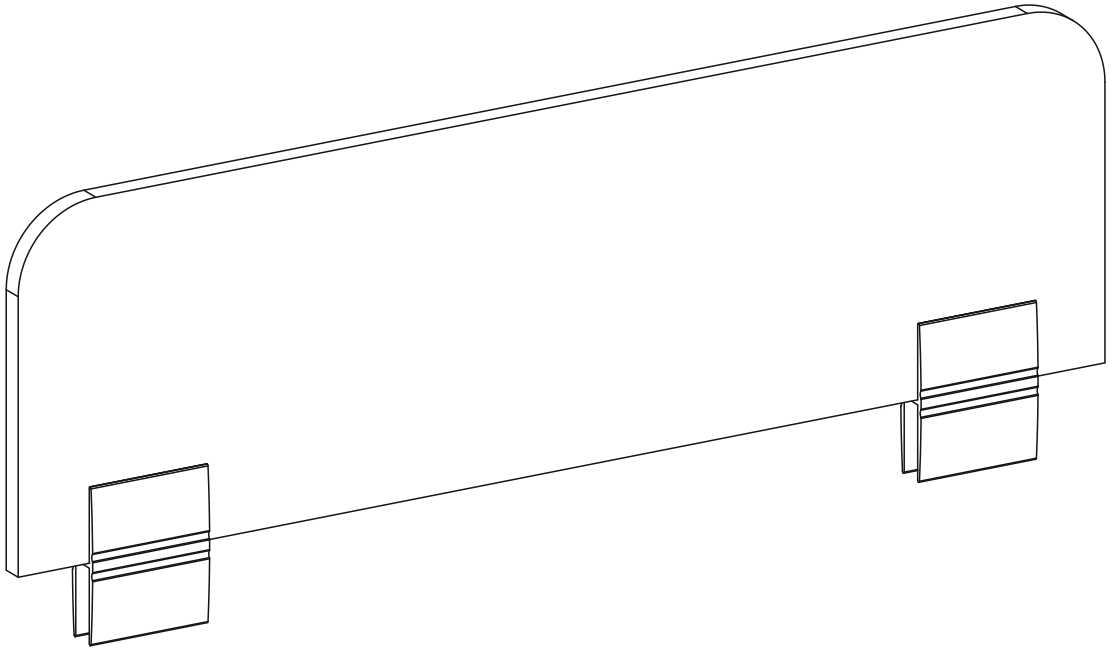
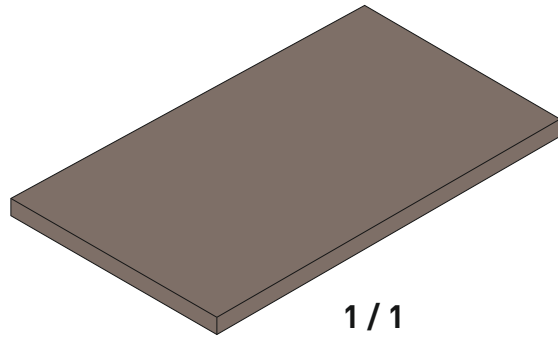
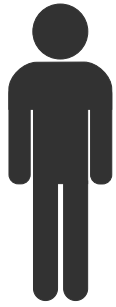


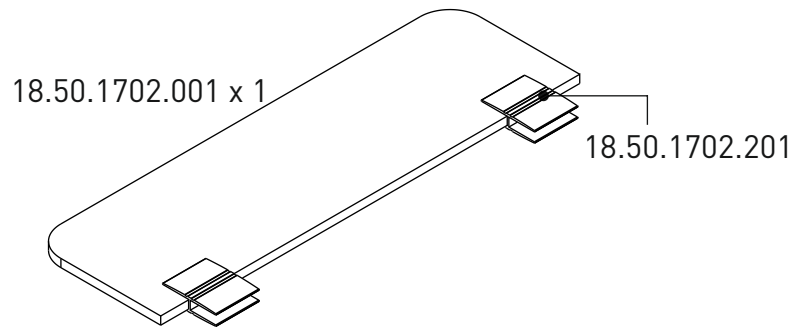
20.50.1702.00





1 / 1

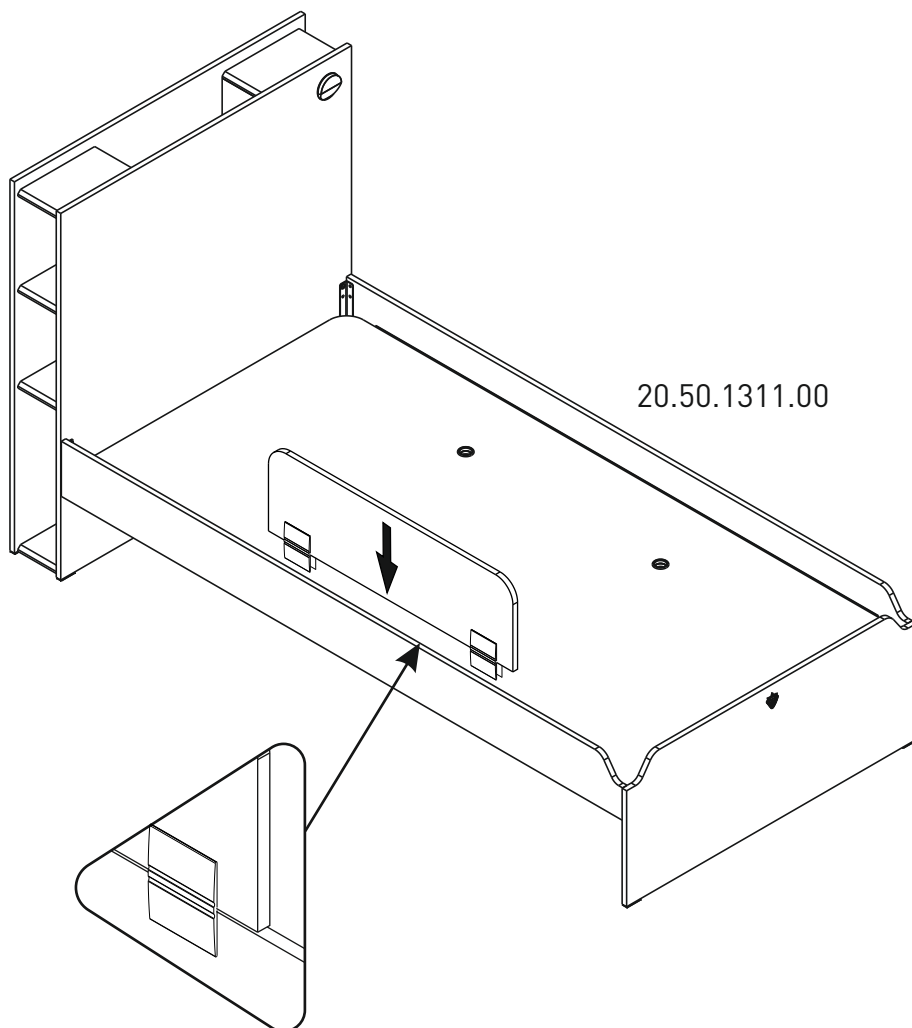
1 / 1



18.50.1702.001 x 1

18.50.1702.201

1



20.50.1311.00