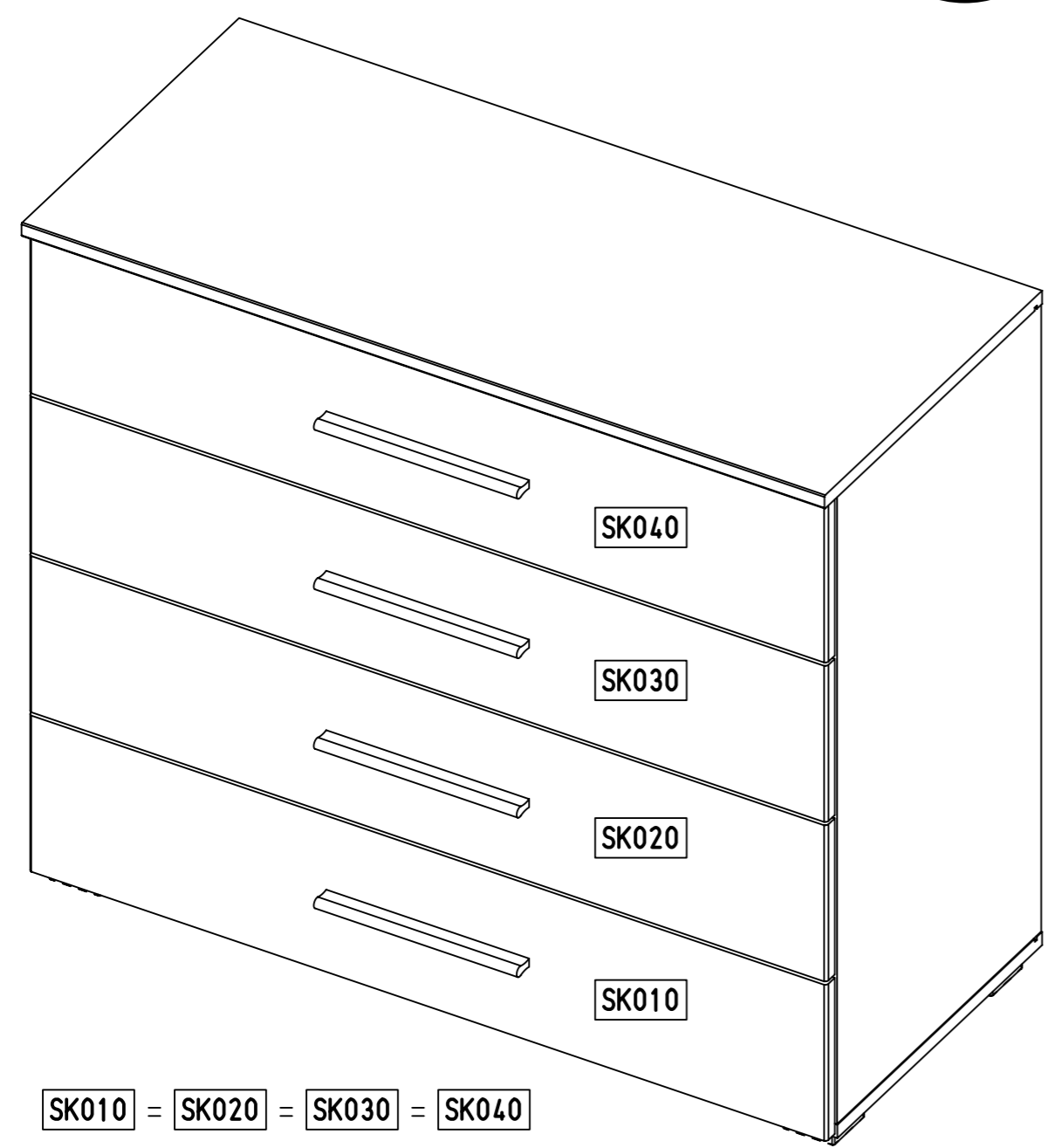
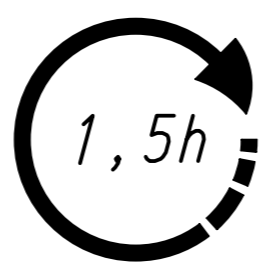
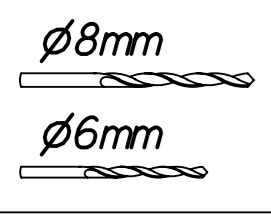
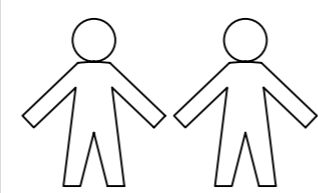
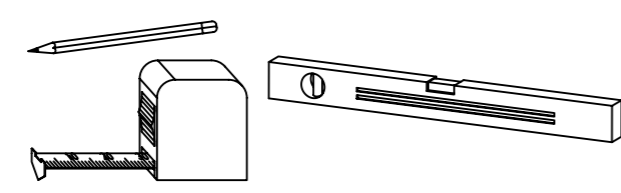
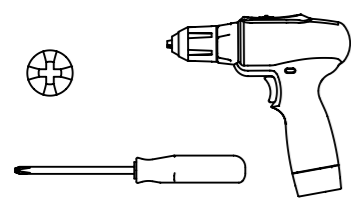


1.

M2094\_03

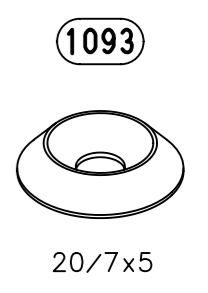
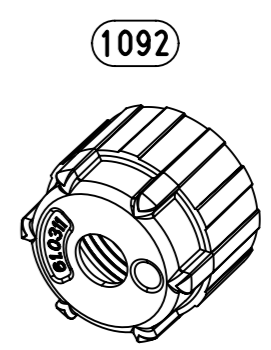
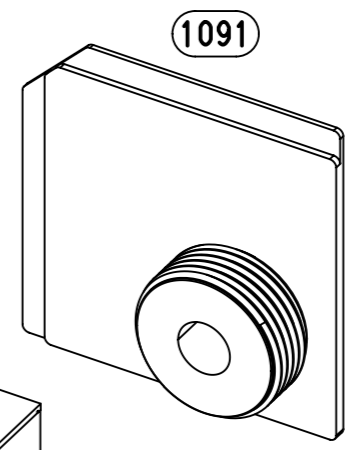
rauch



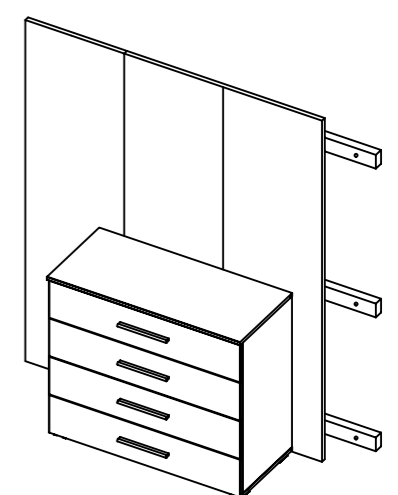
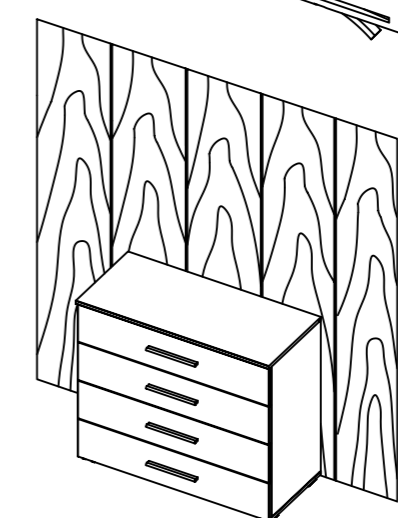
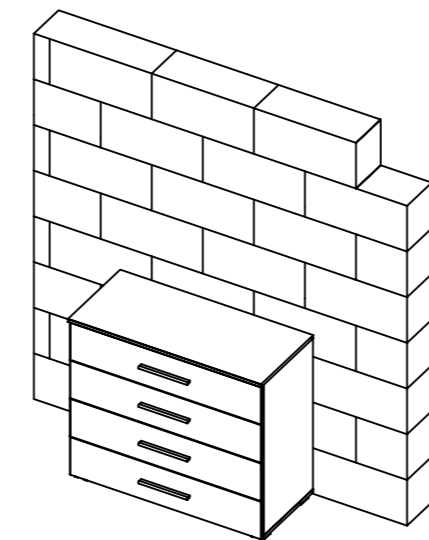
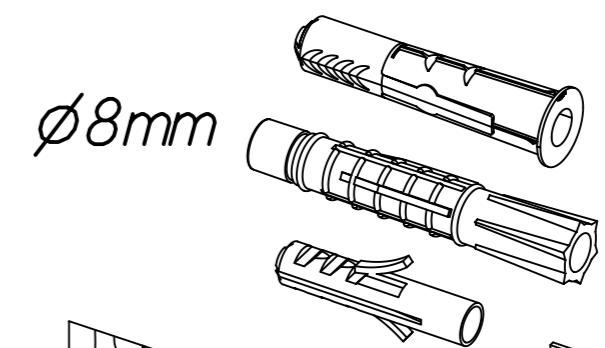
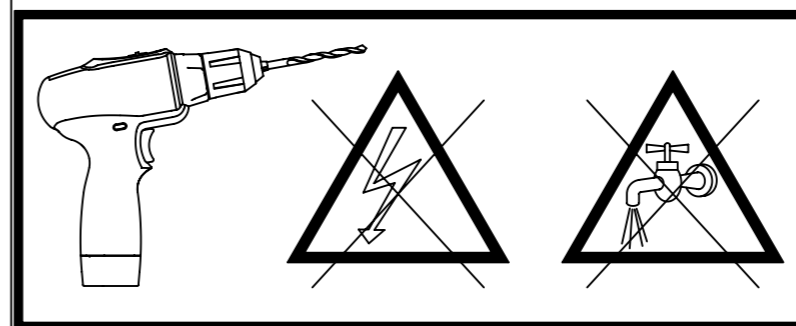
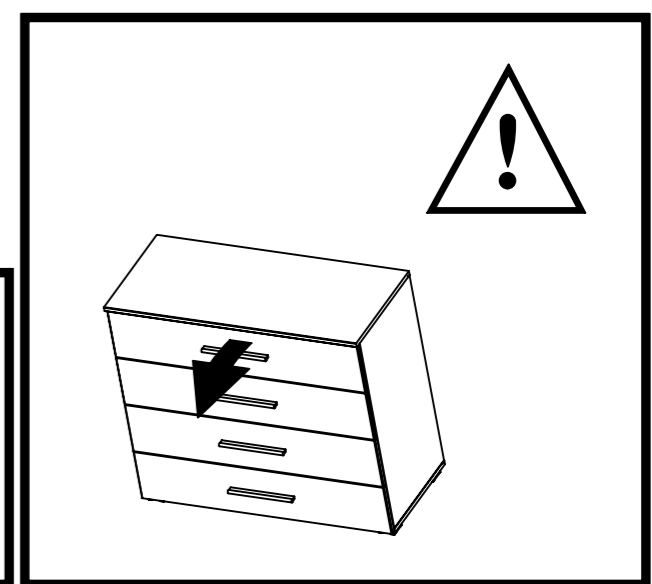
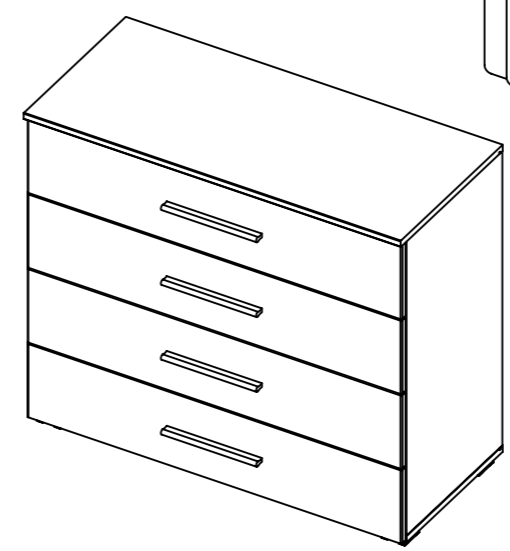
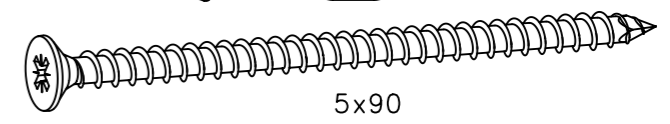
SK010 = SK020 = SK030 = SK040

2.

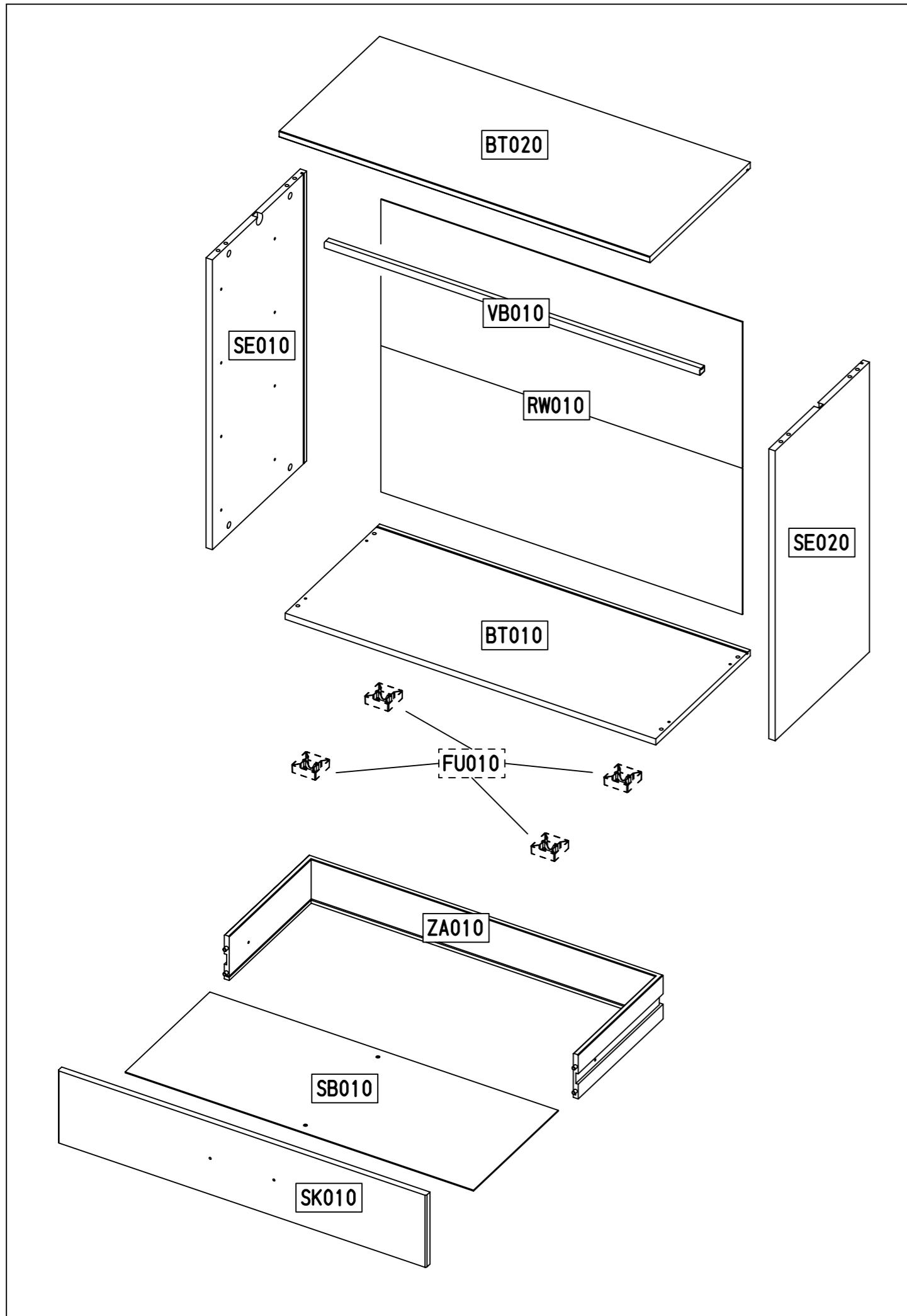
2x



1147

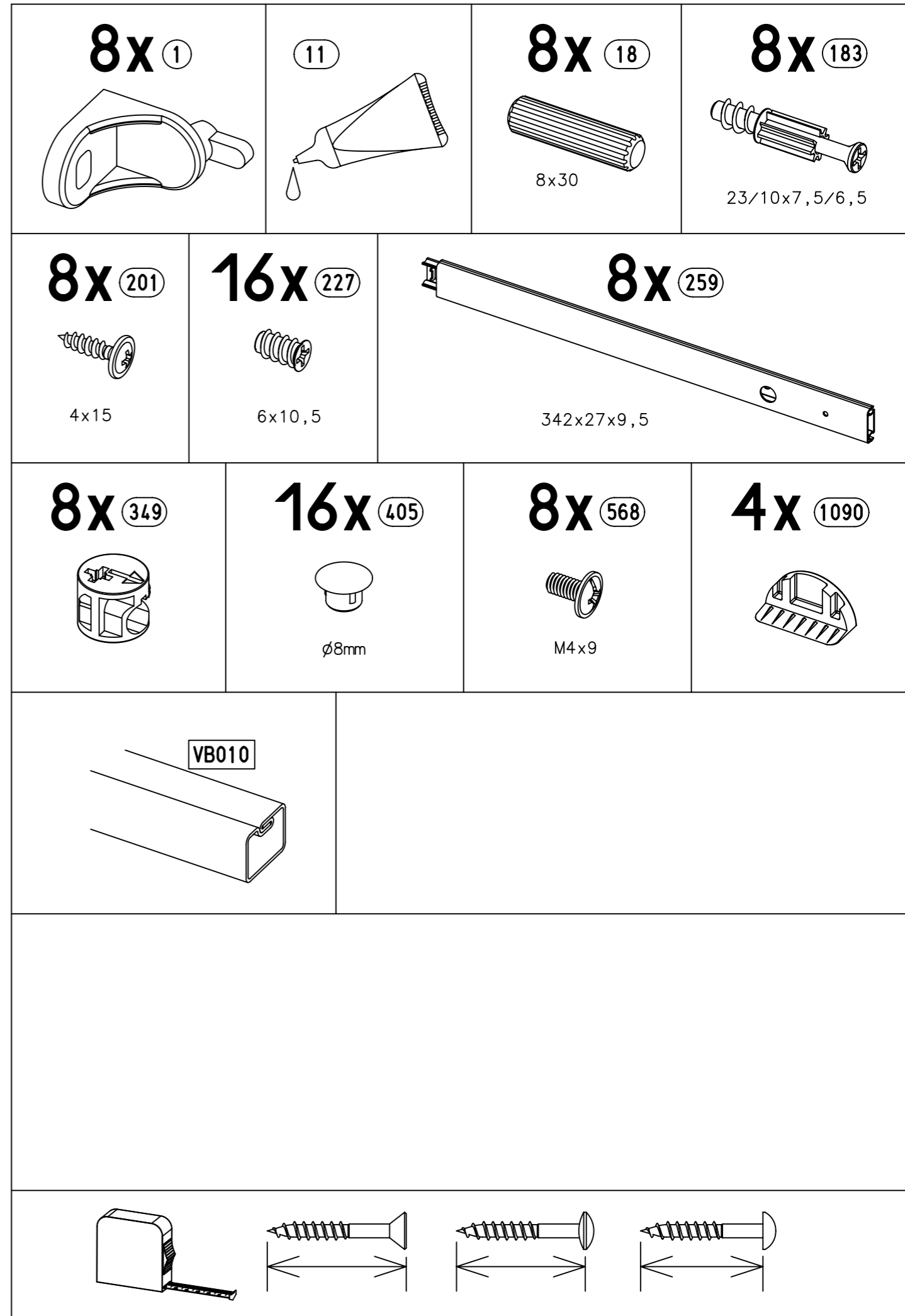


3.



M2094

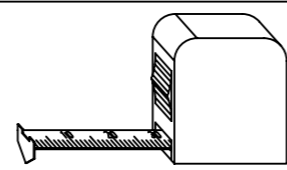
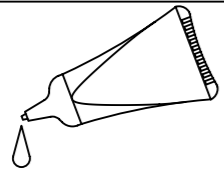
4.



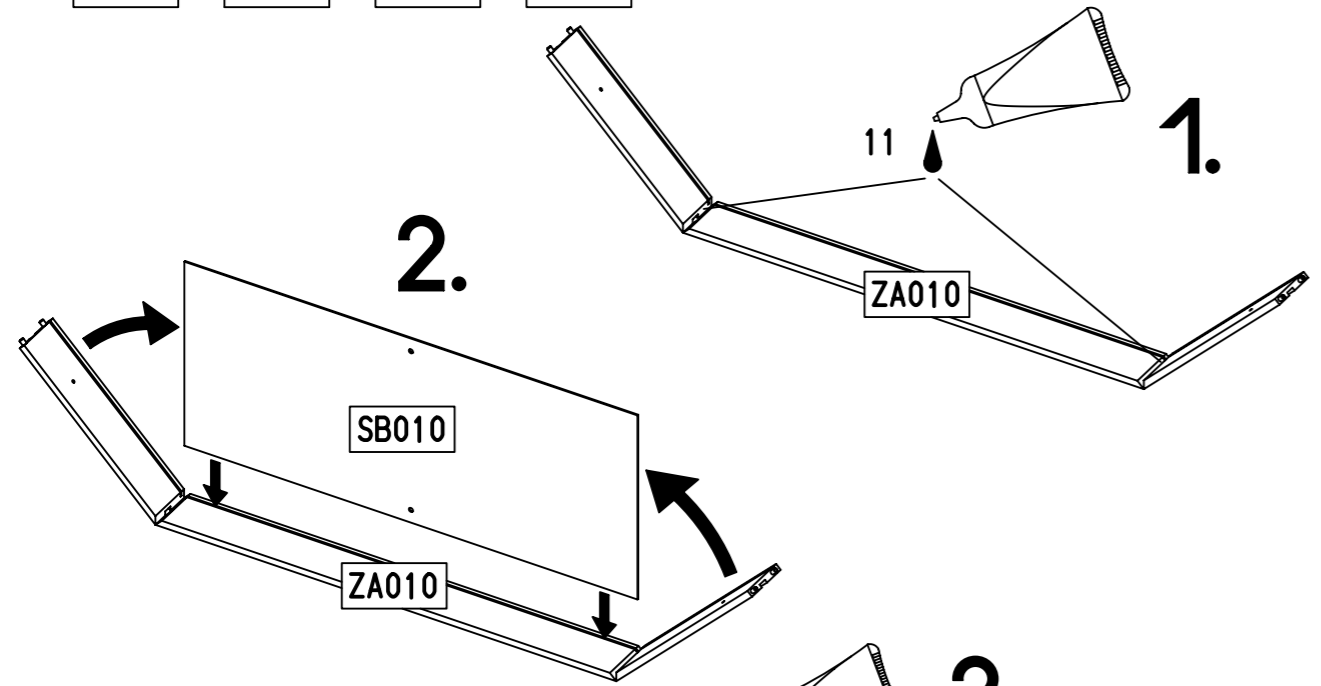
M2094

1

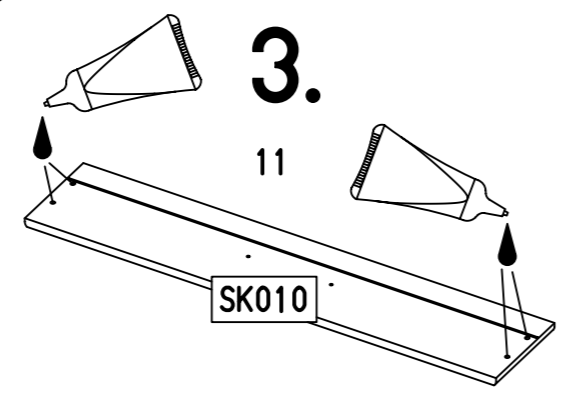
11



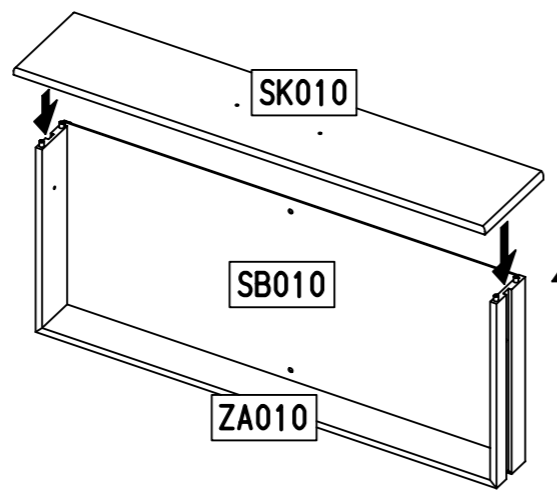
SK010 = SK020 = SK030 = SK040



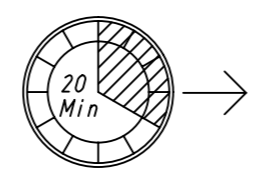
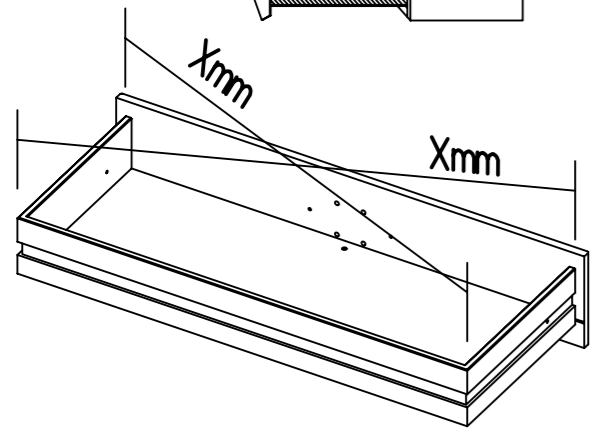
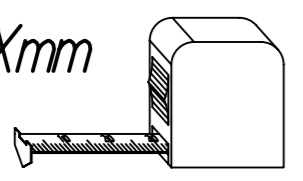
3.



4.

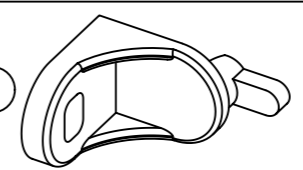


Xmm = Xmm

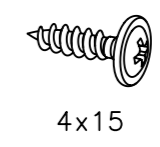


2

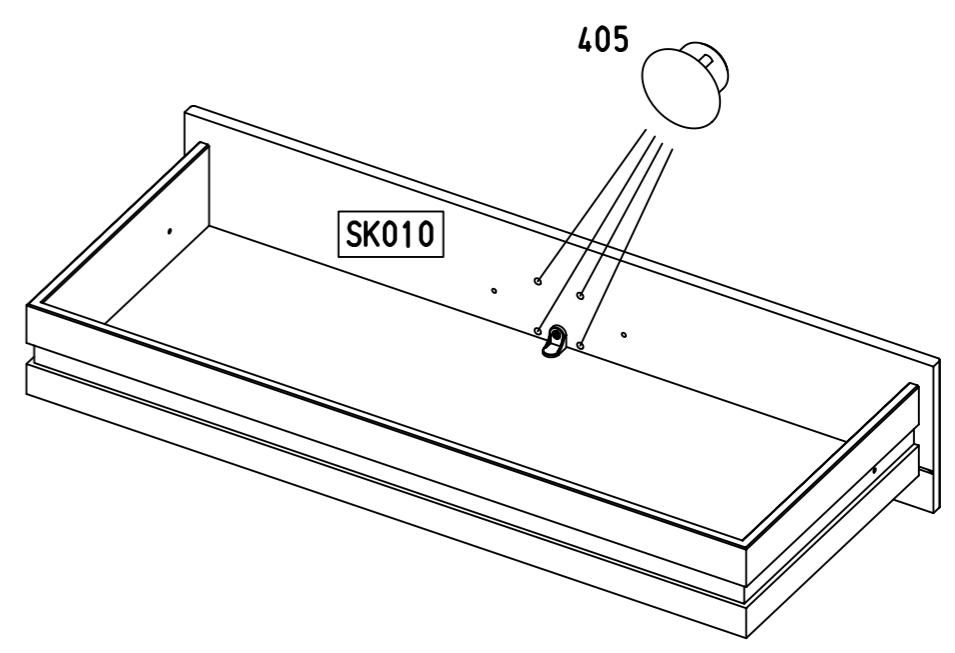
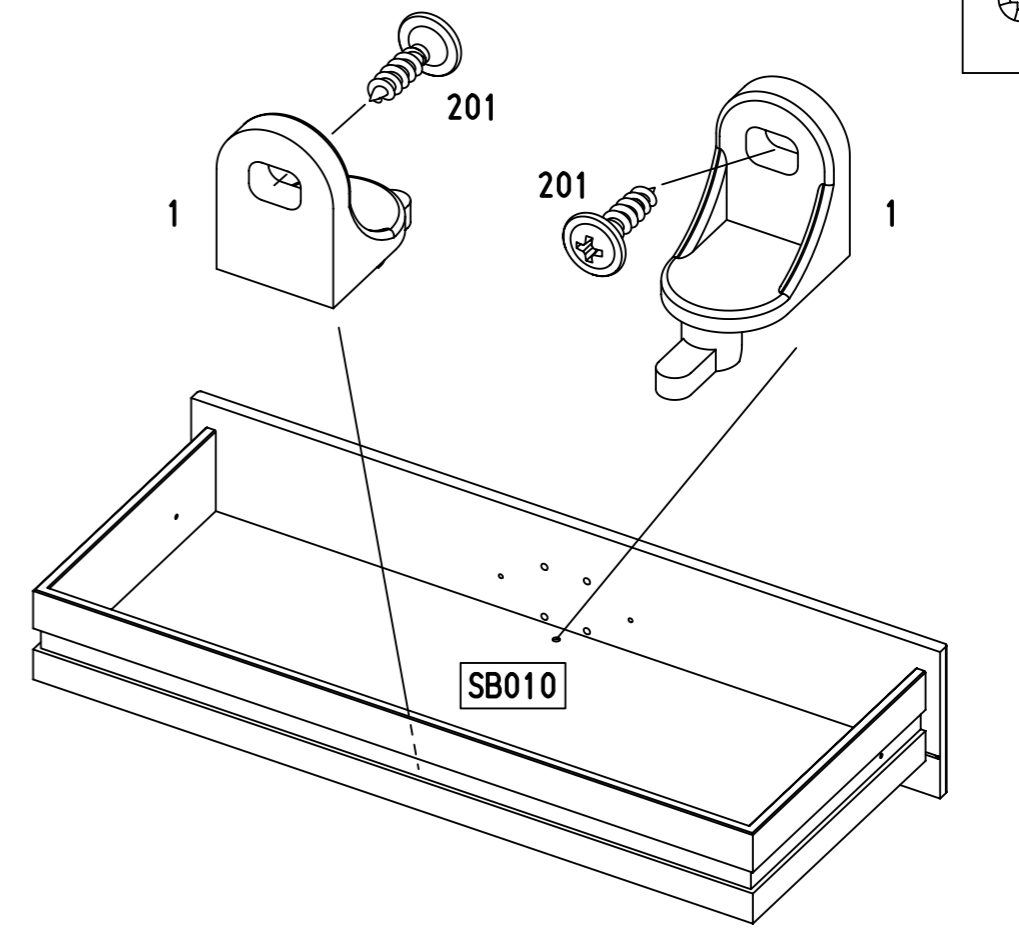
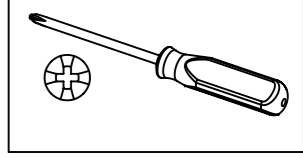
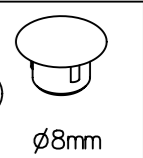
8x 1



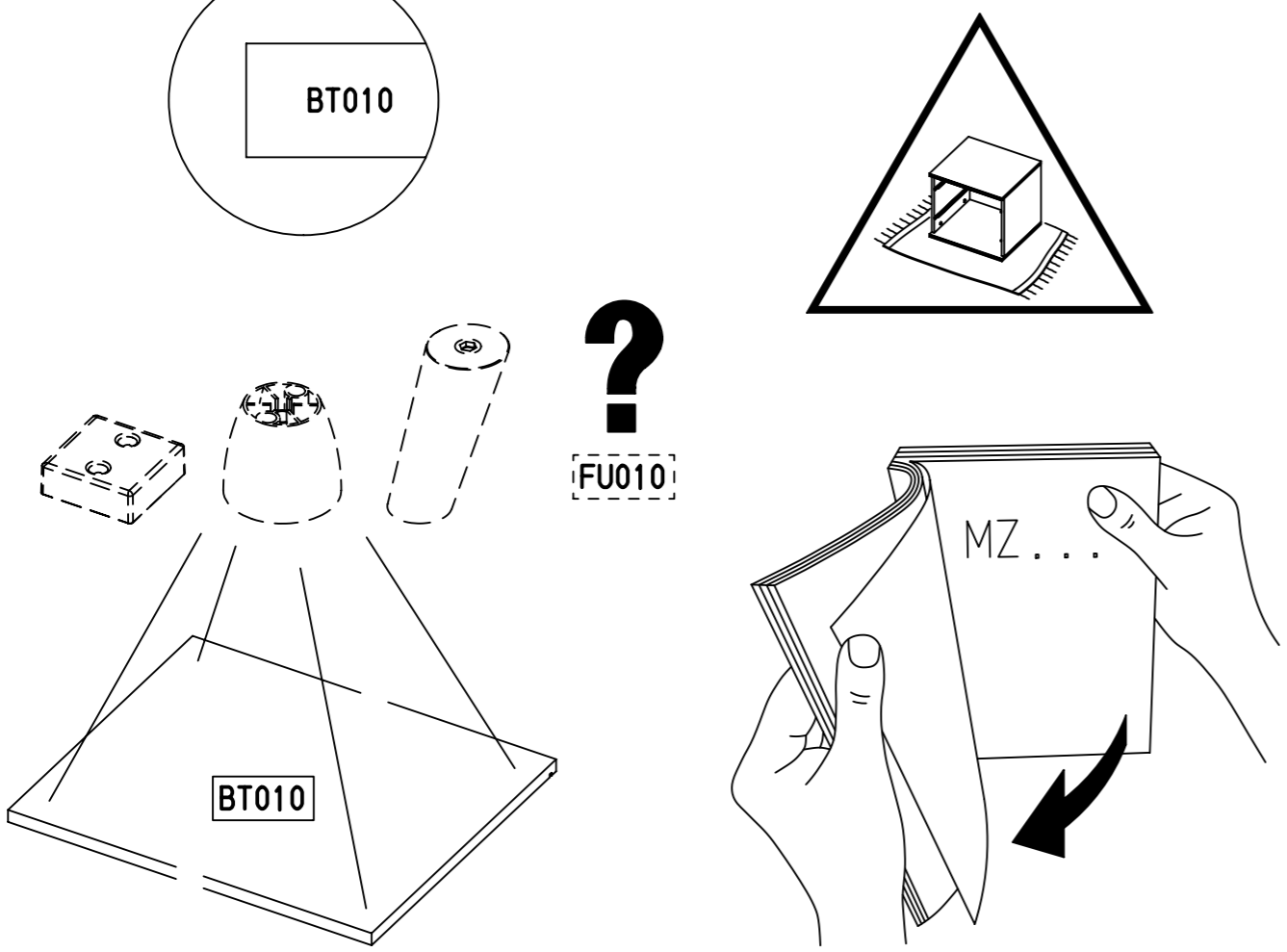
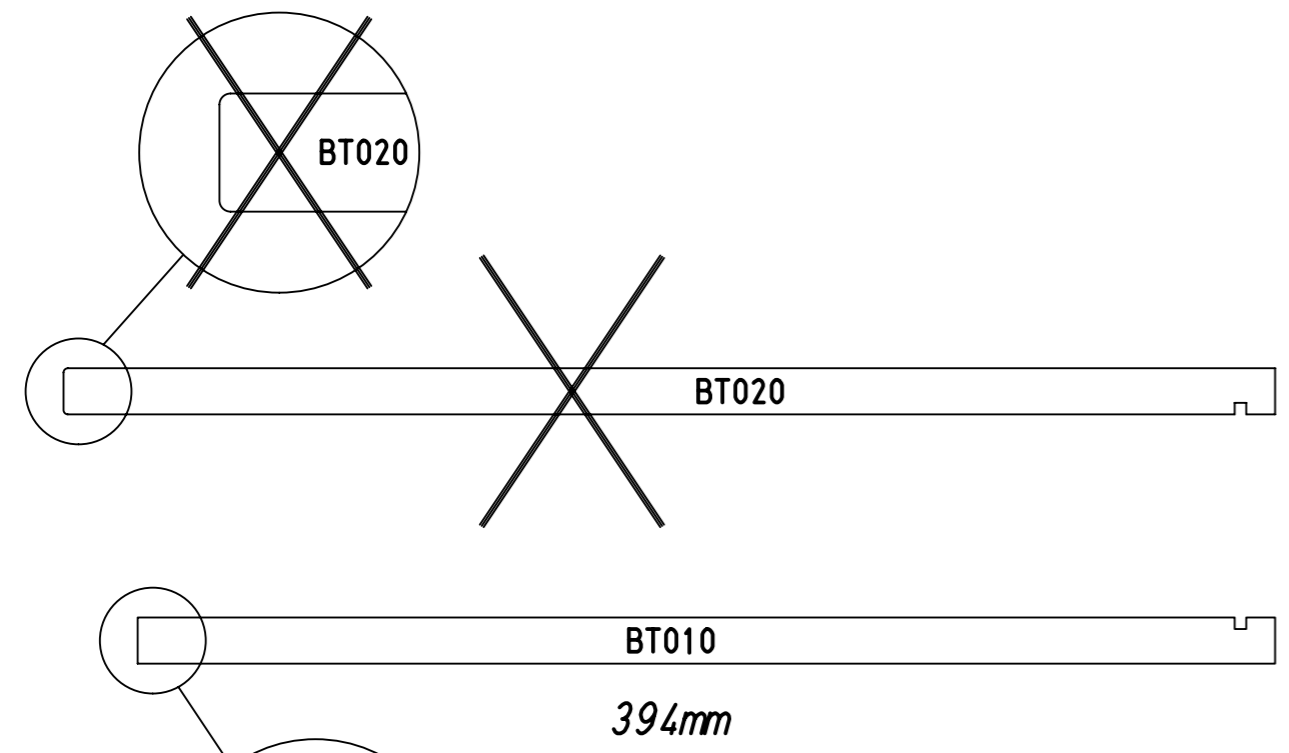
8x 201



16x 405

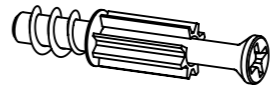
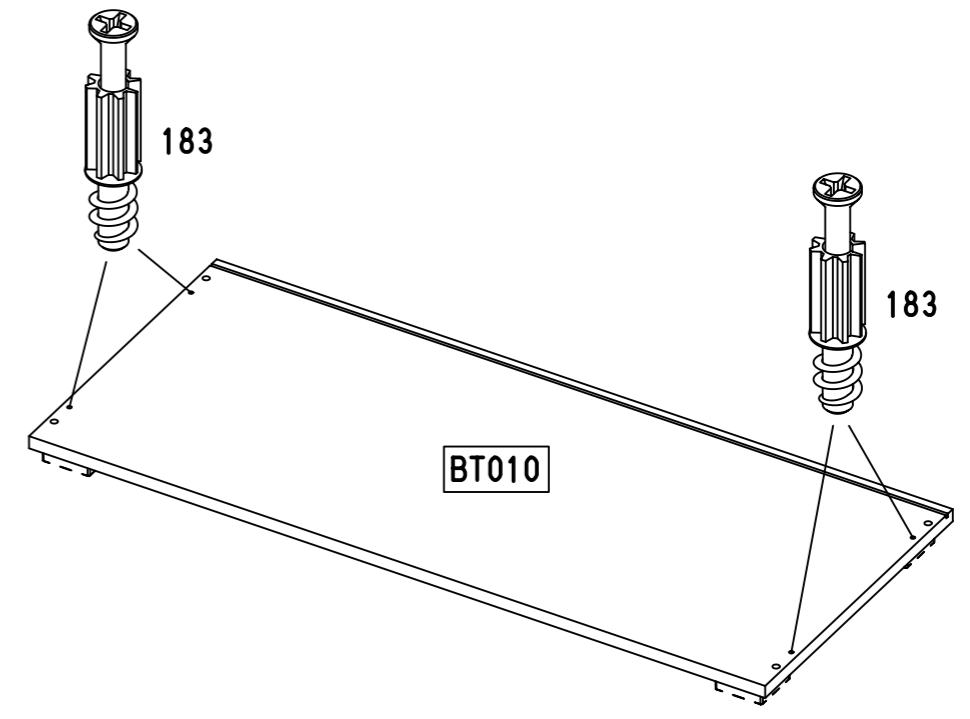
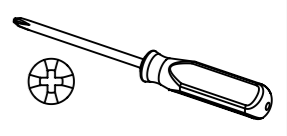


3



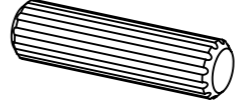
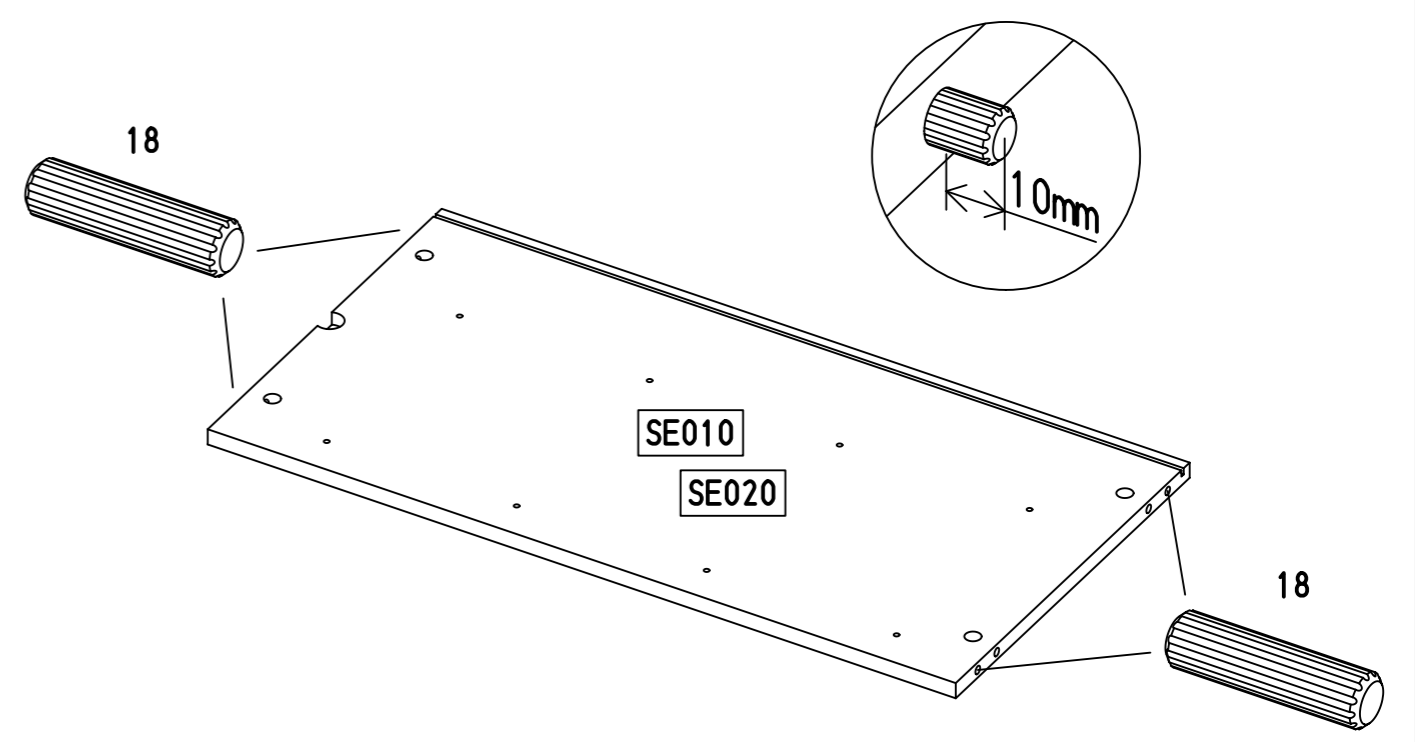
4

**4x** 183  
23/10x7,5/6,5

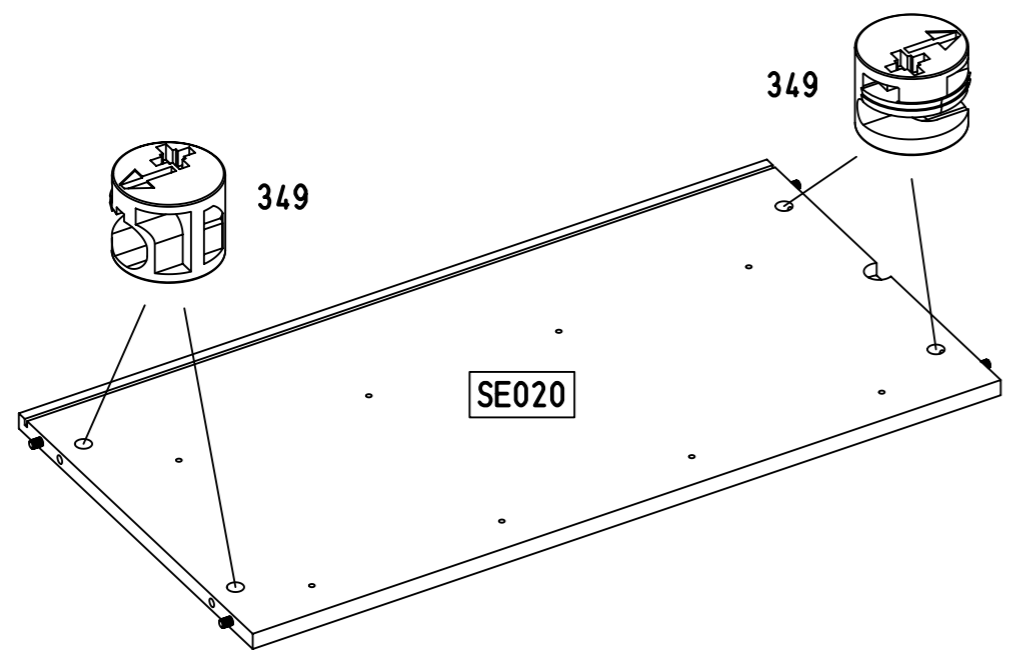
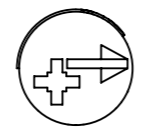
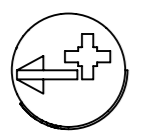
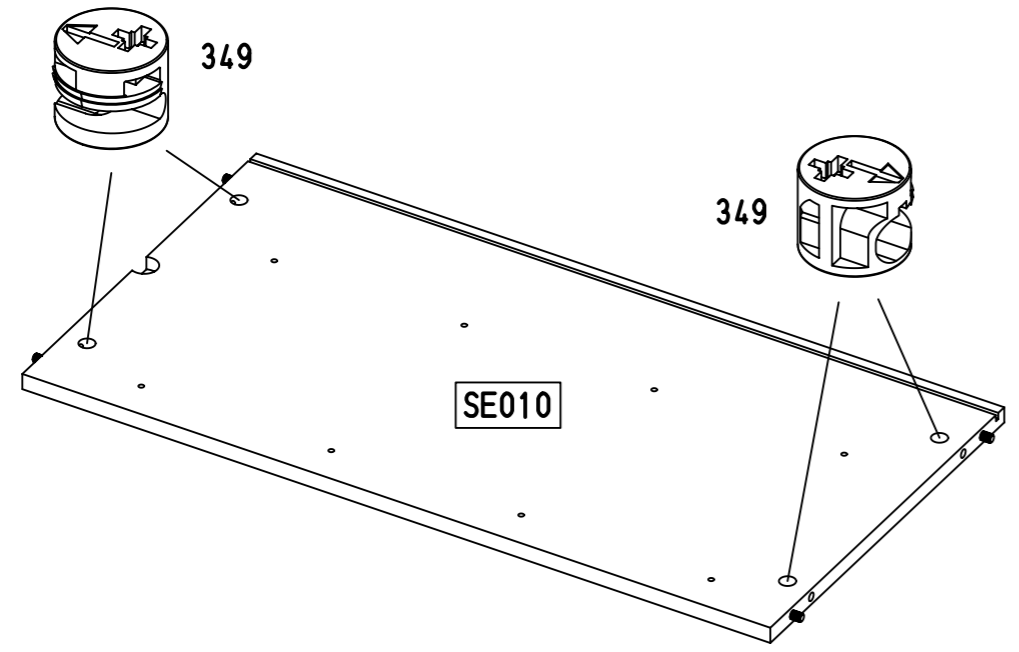
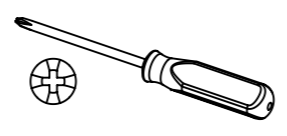
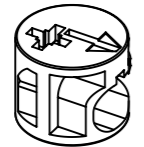
5

**8x** 18  
8x30

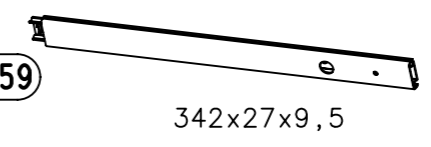
6

12x 349

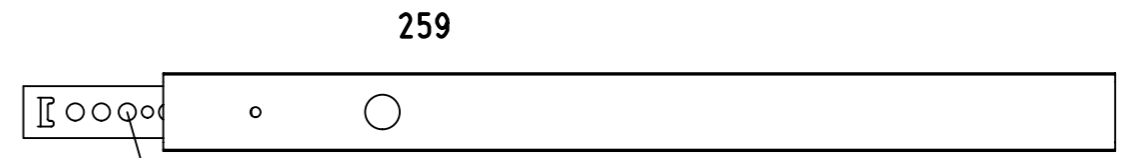
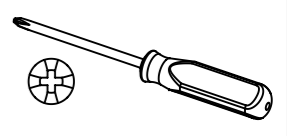


7

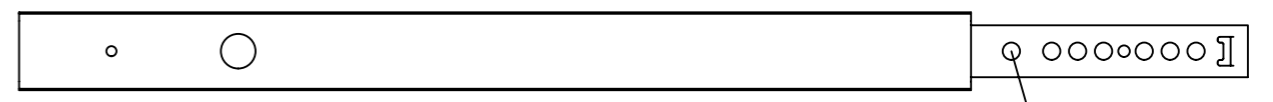
4x 259



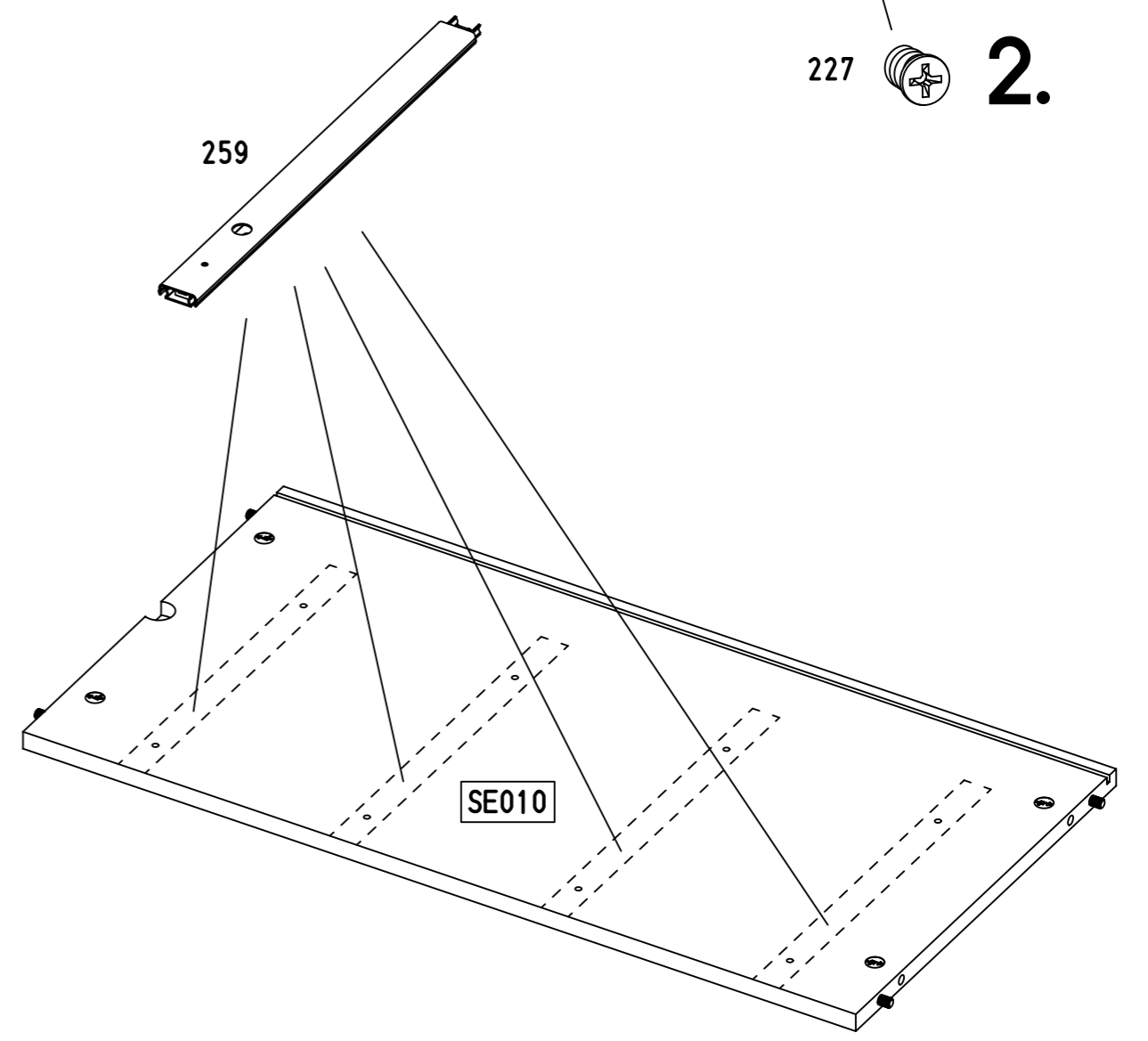
8x 227



1.



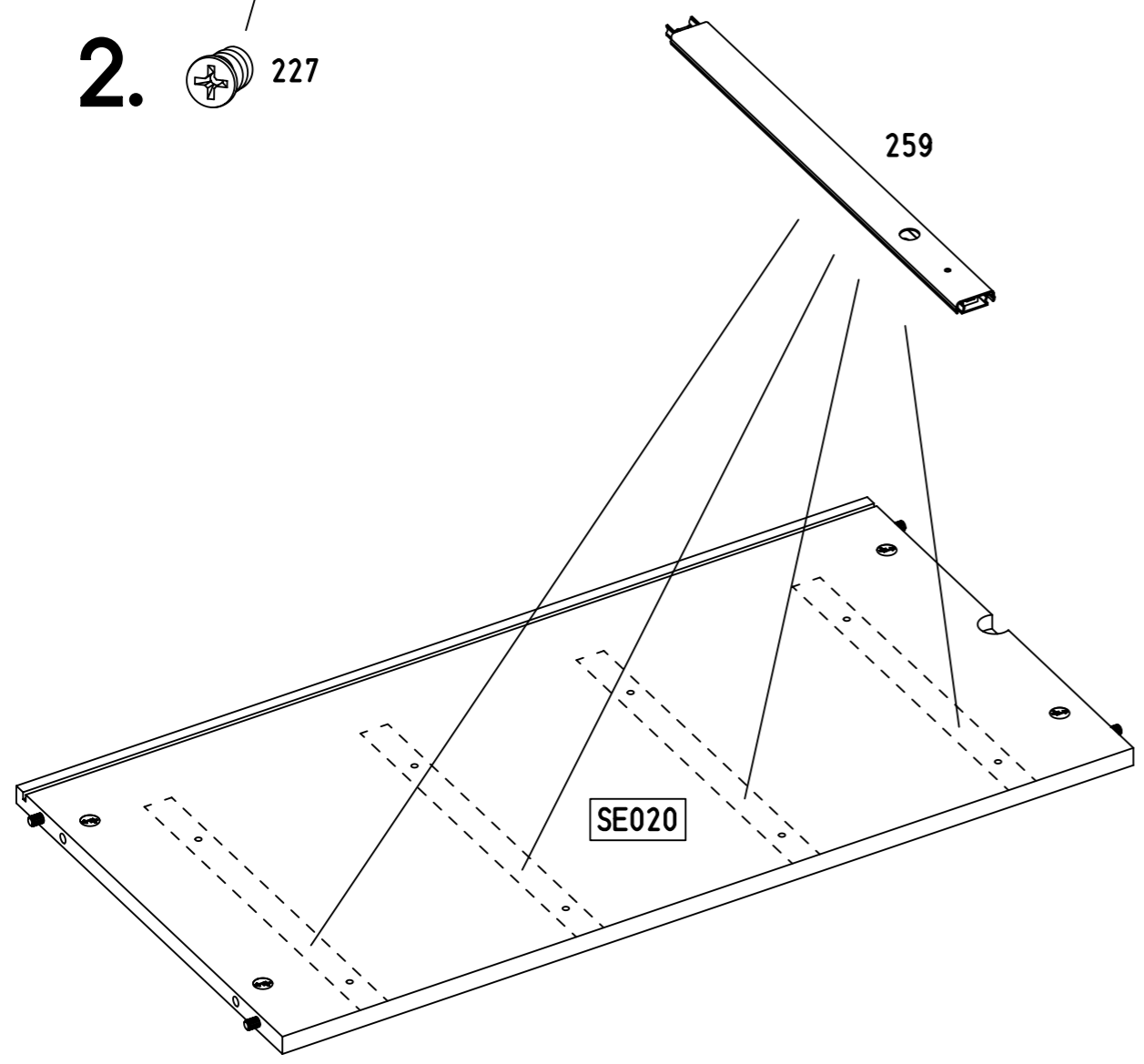
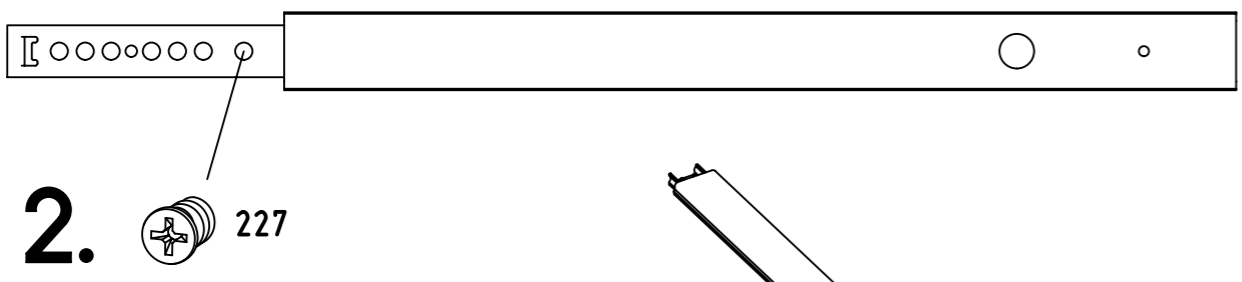
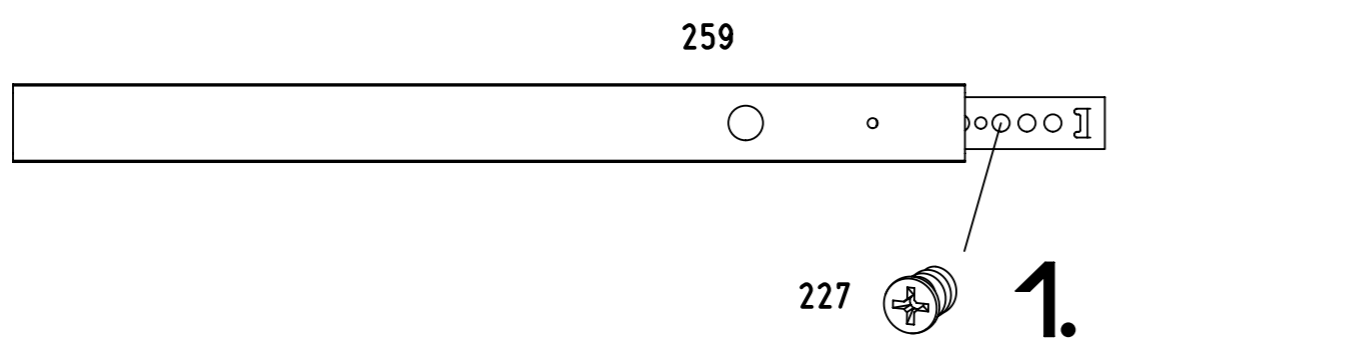
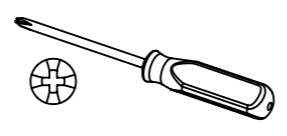
2.



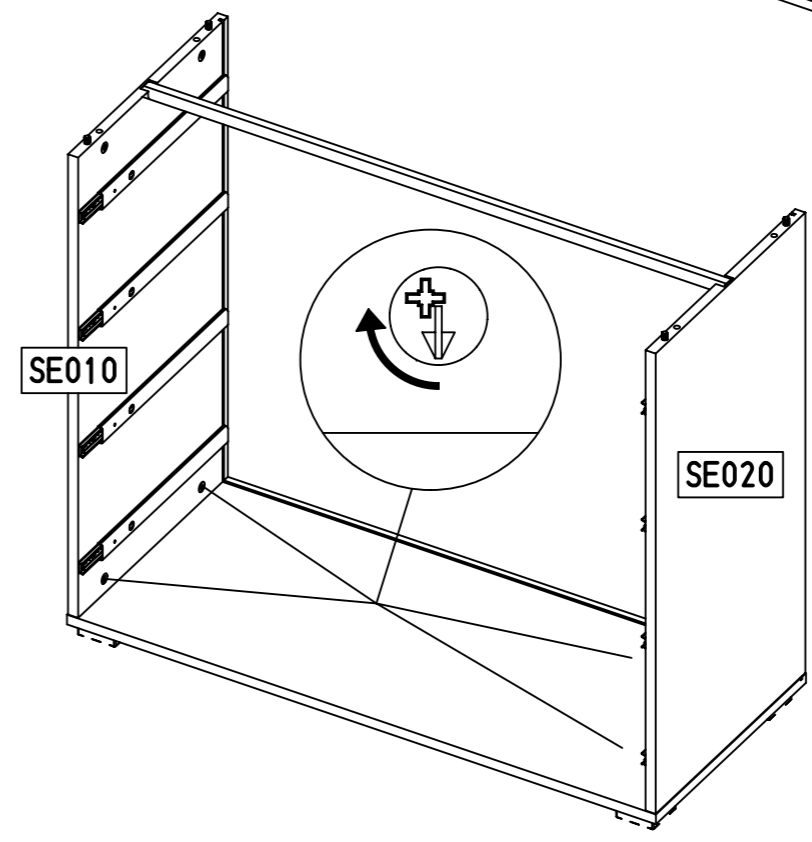
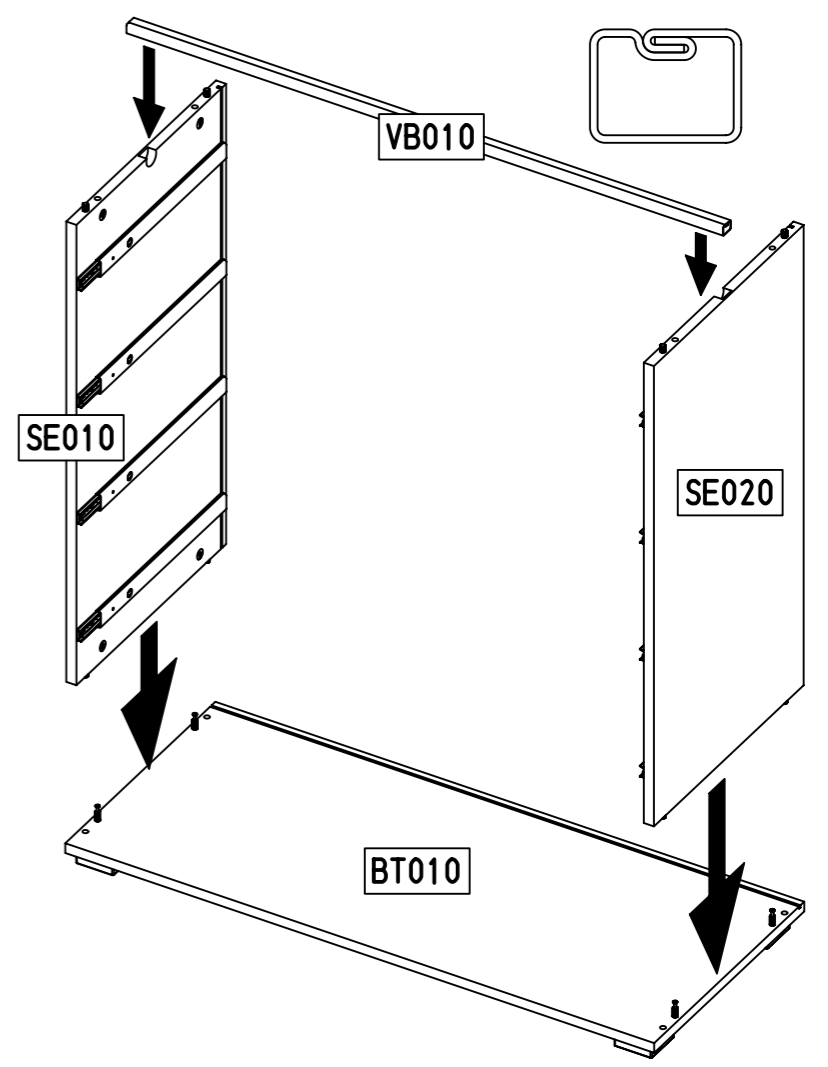
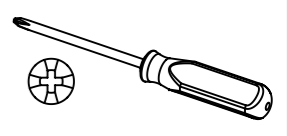
8

4x 259  
342x27x9,5

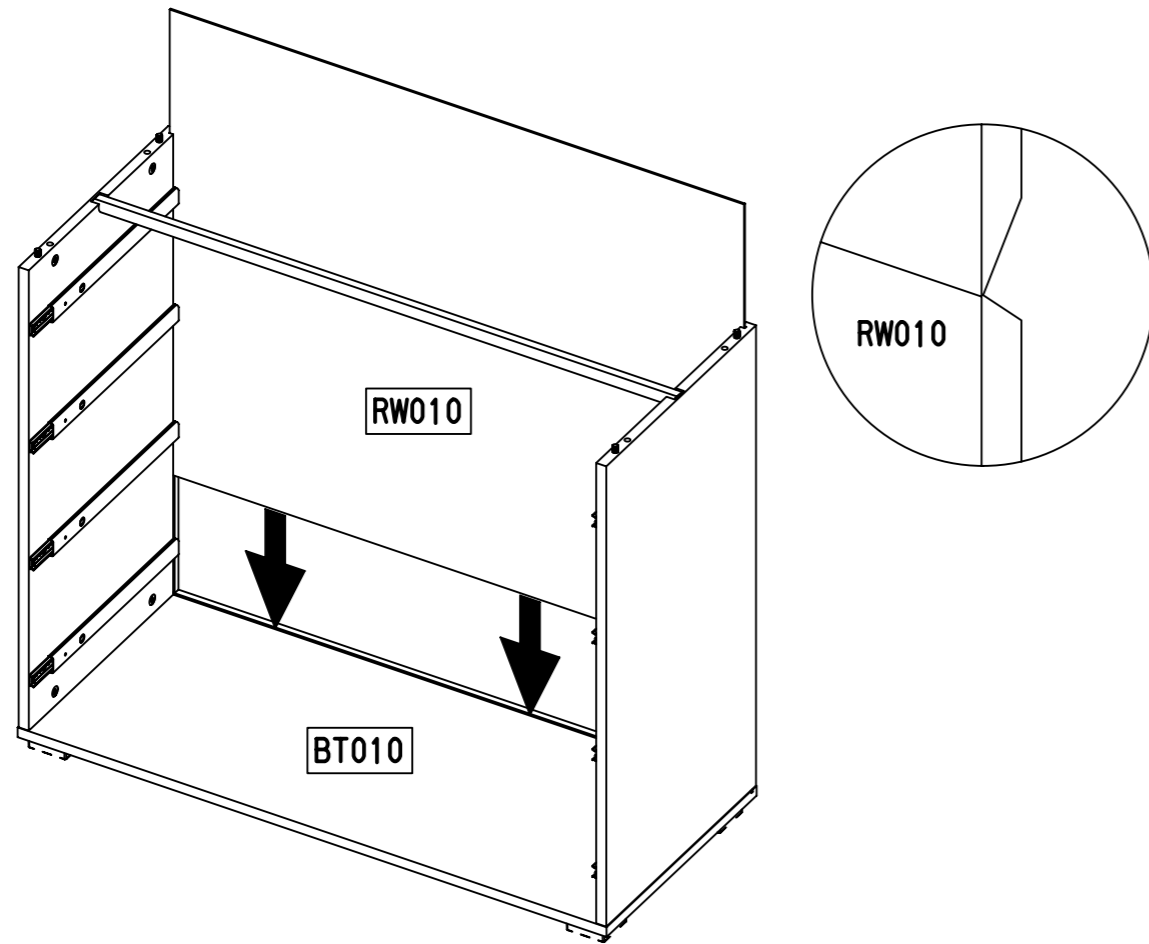
8x 227  
6x10,5



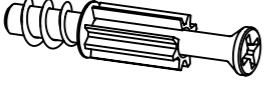
9

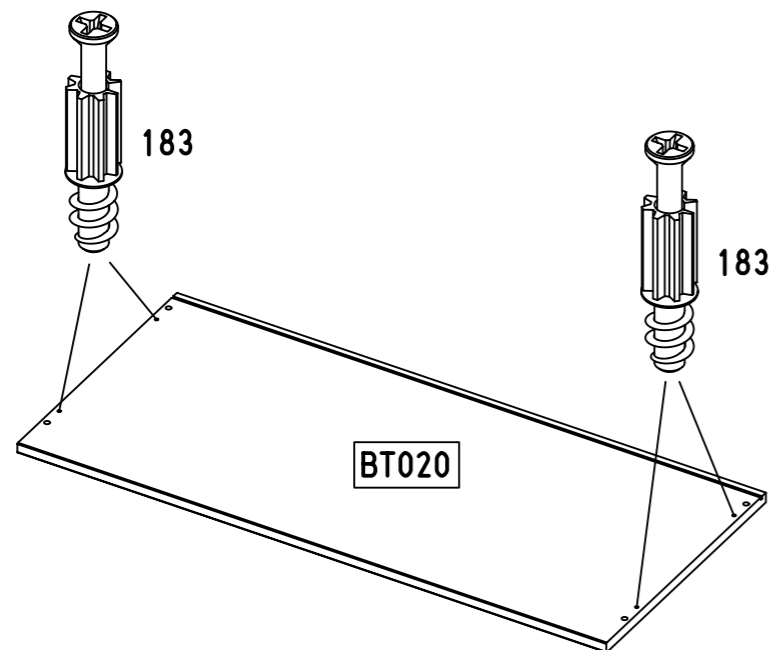
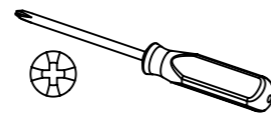


10

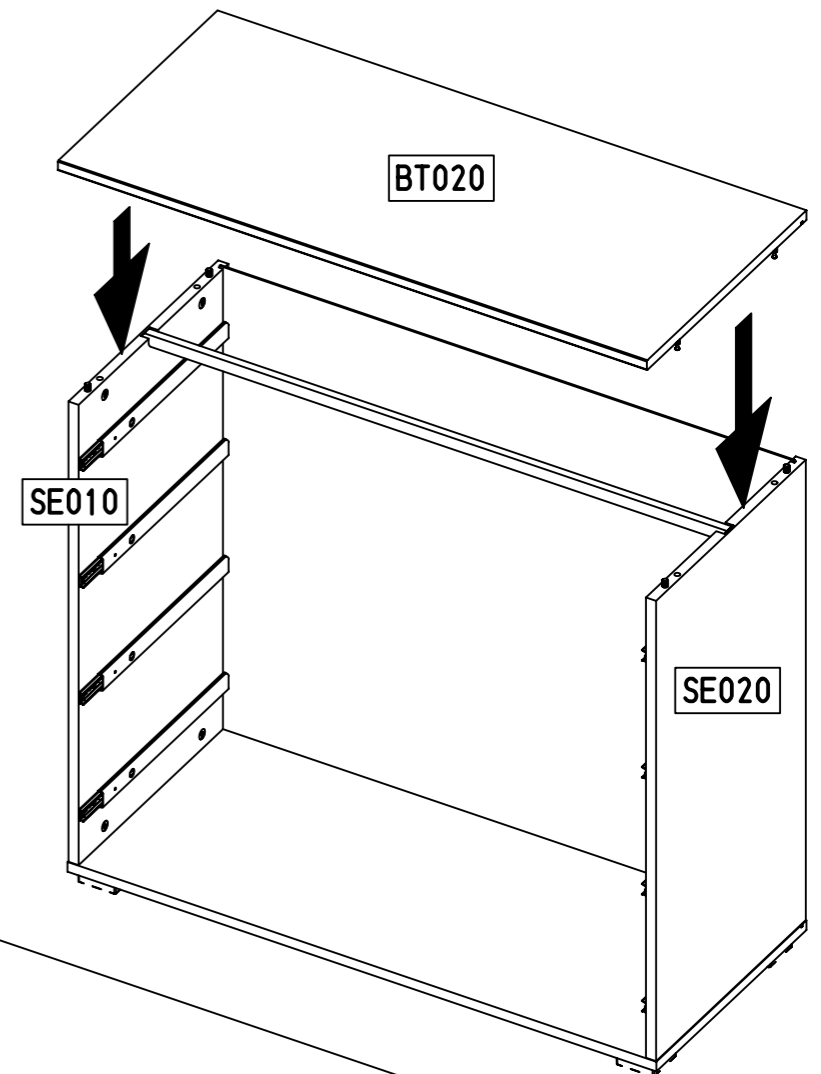
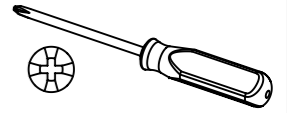


11

**4x** 183   
23/10x7,5/6,5

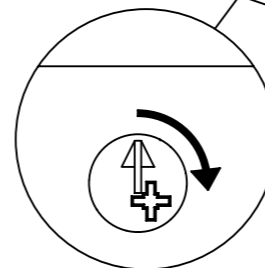


12



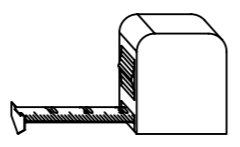
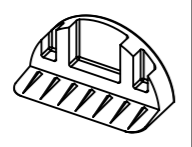
SE010

SE020

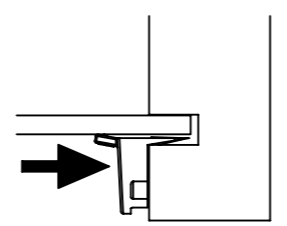
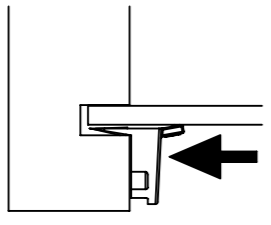
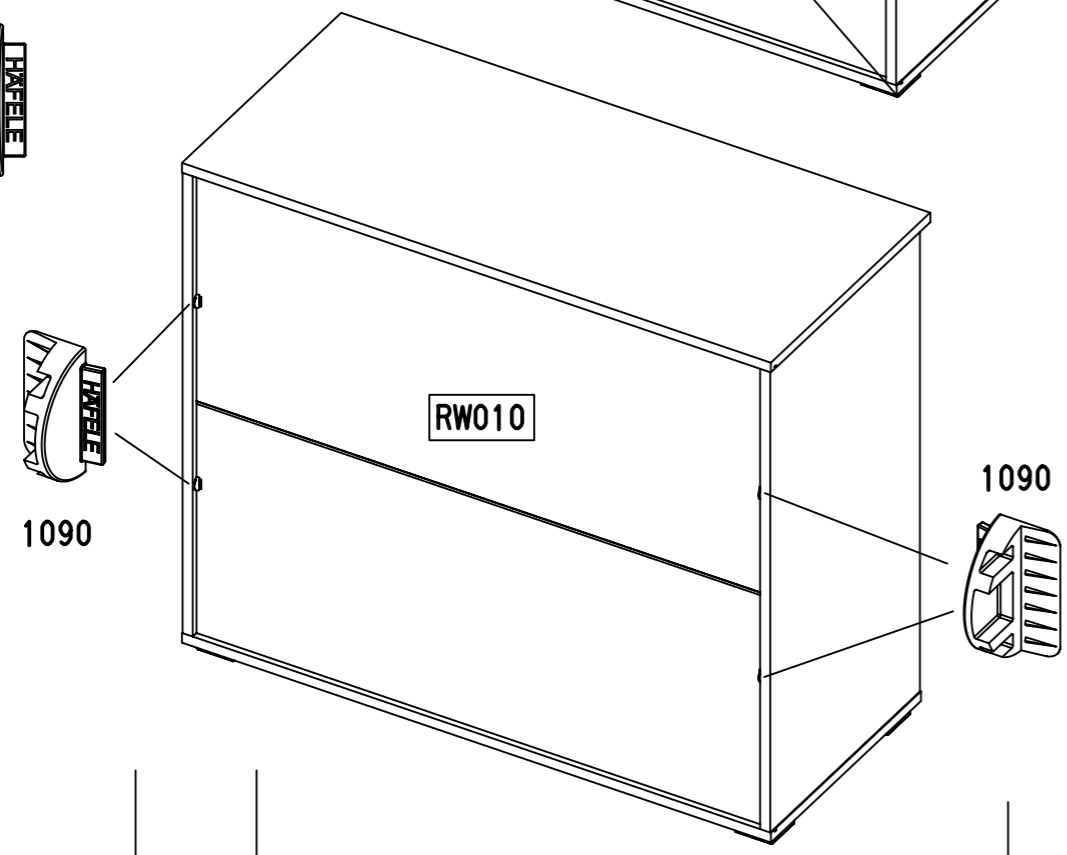
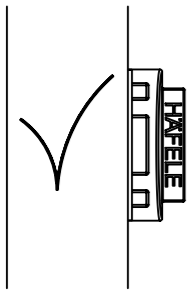
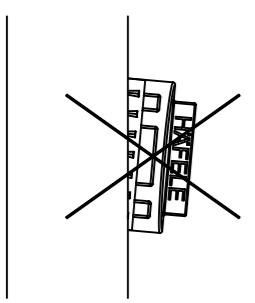
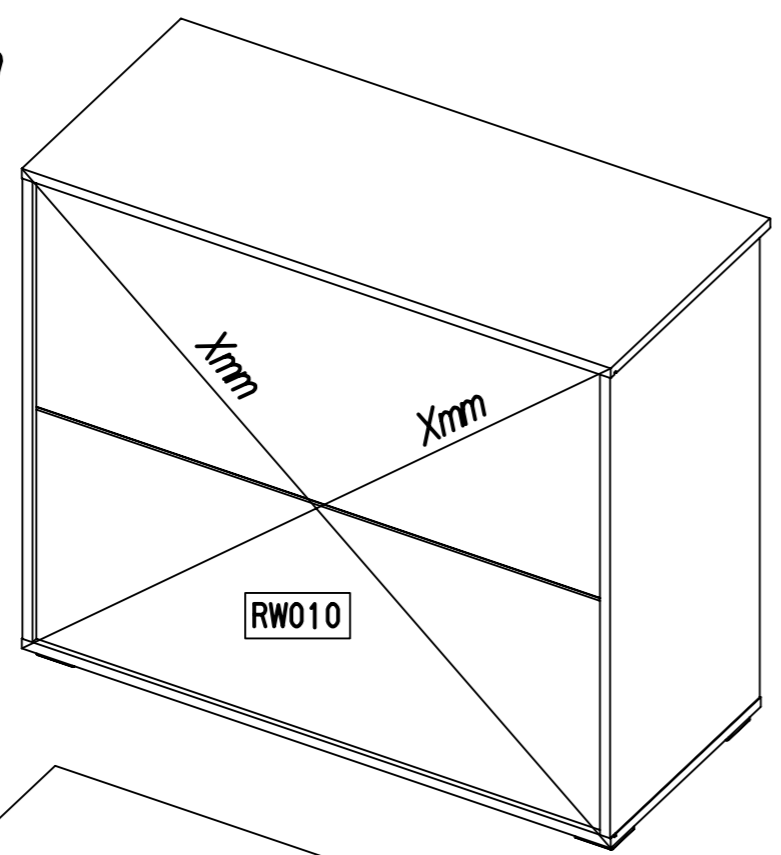
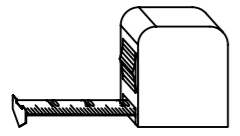


13

4x 1090

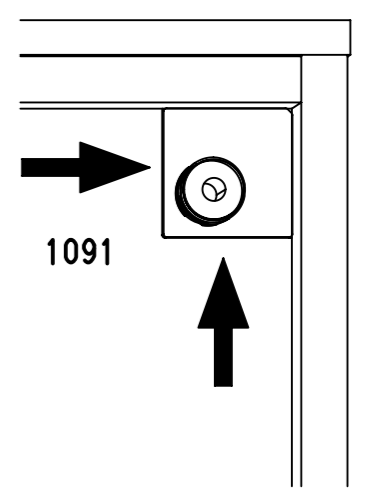
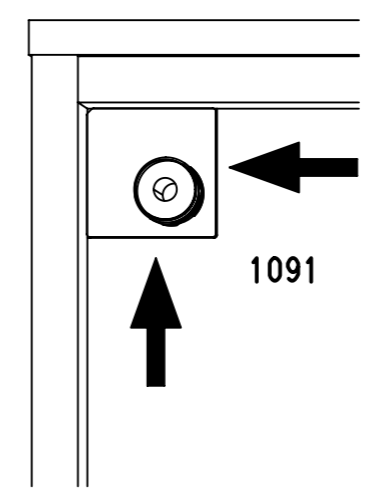
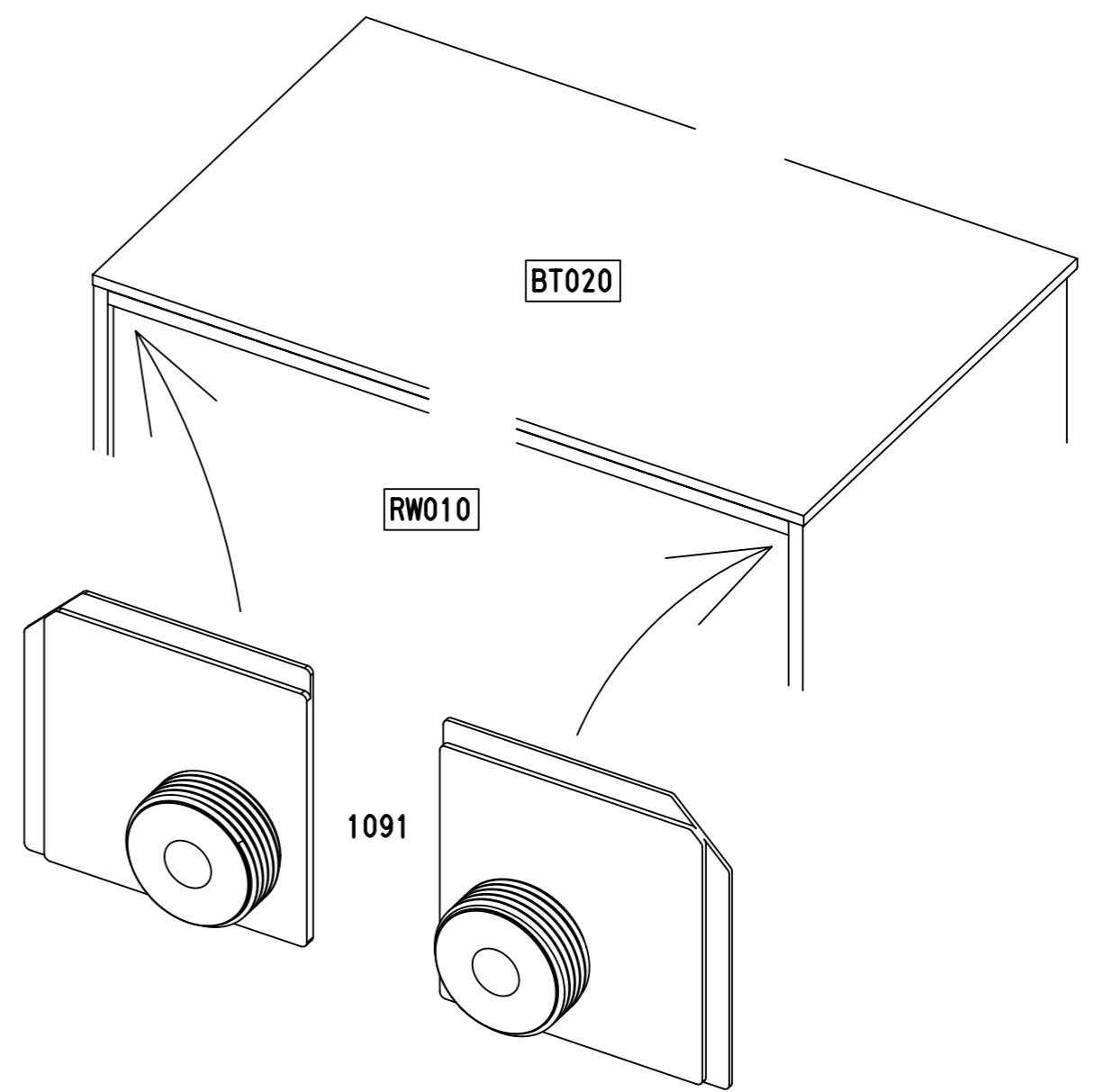
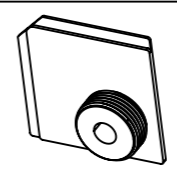


Xmm = Xmm



14

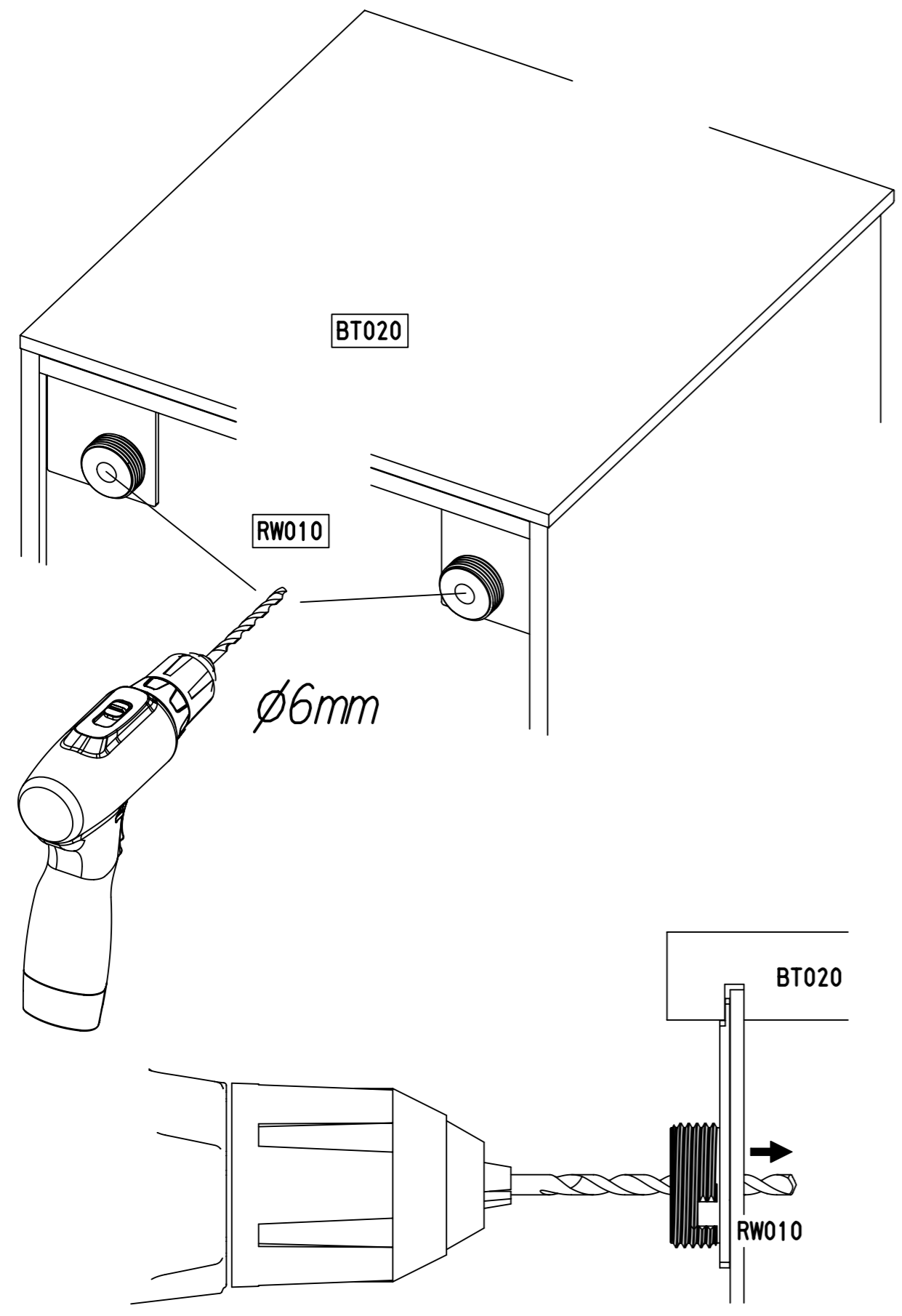
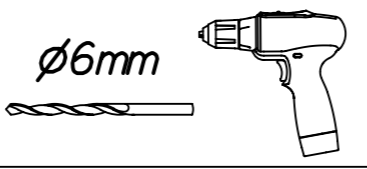
2x 1091



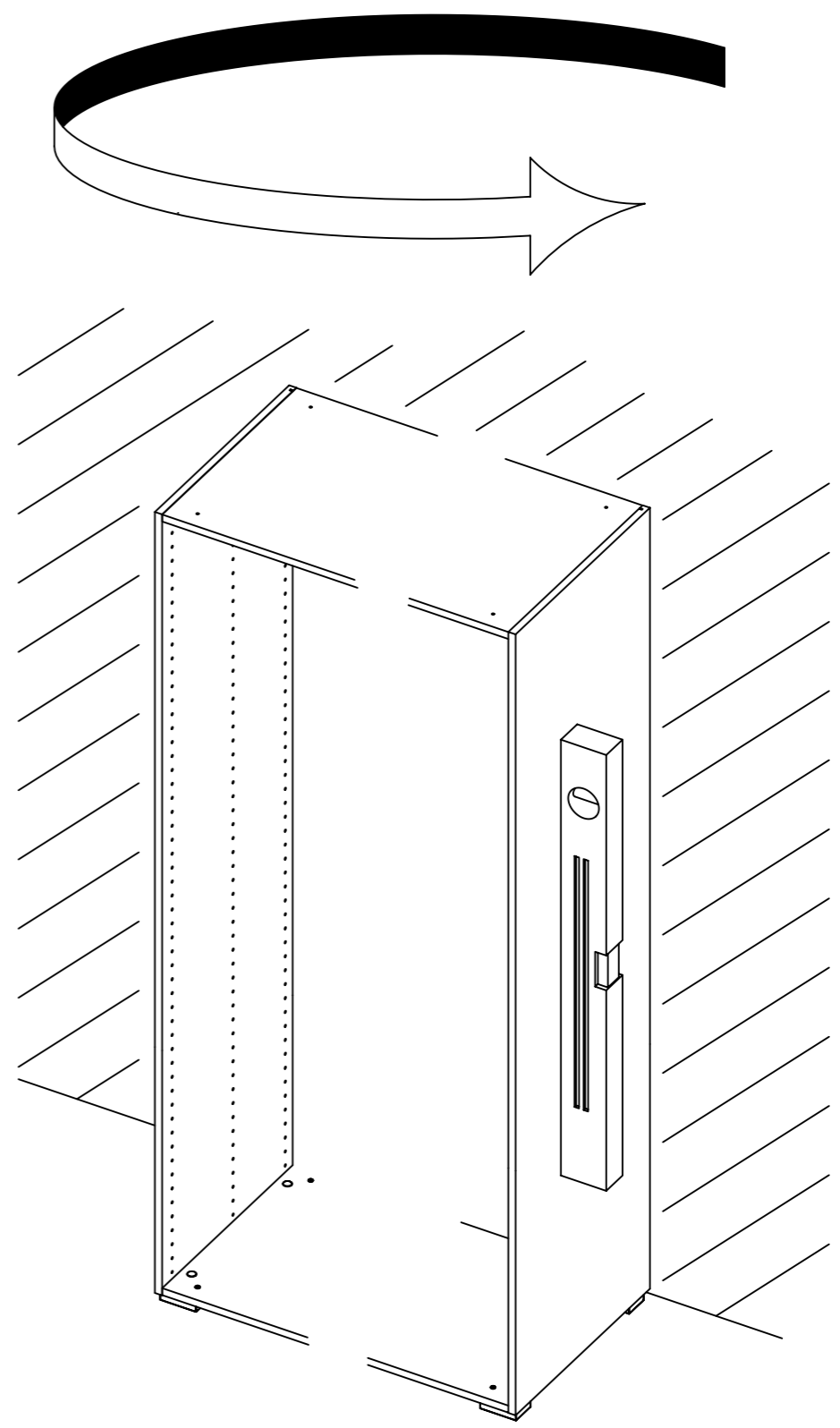
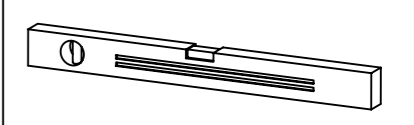
RW010



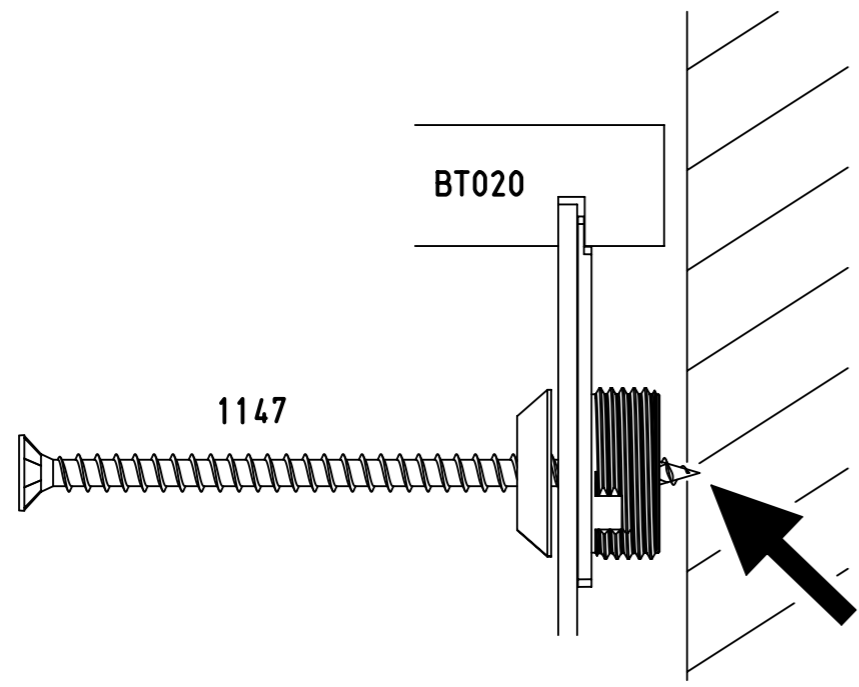
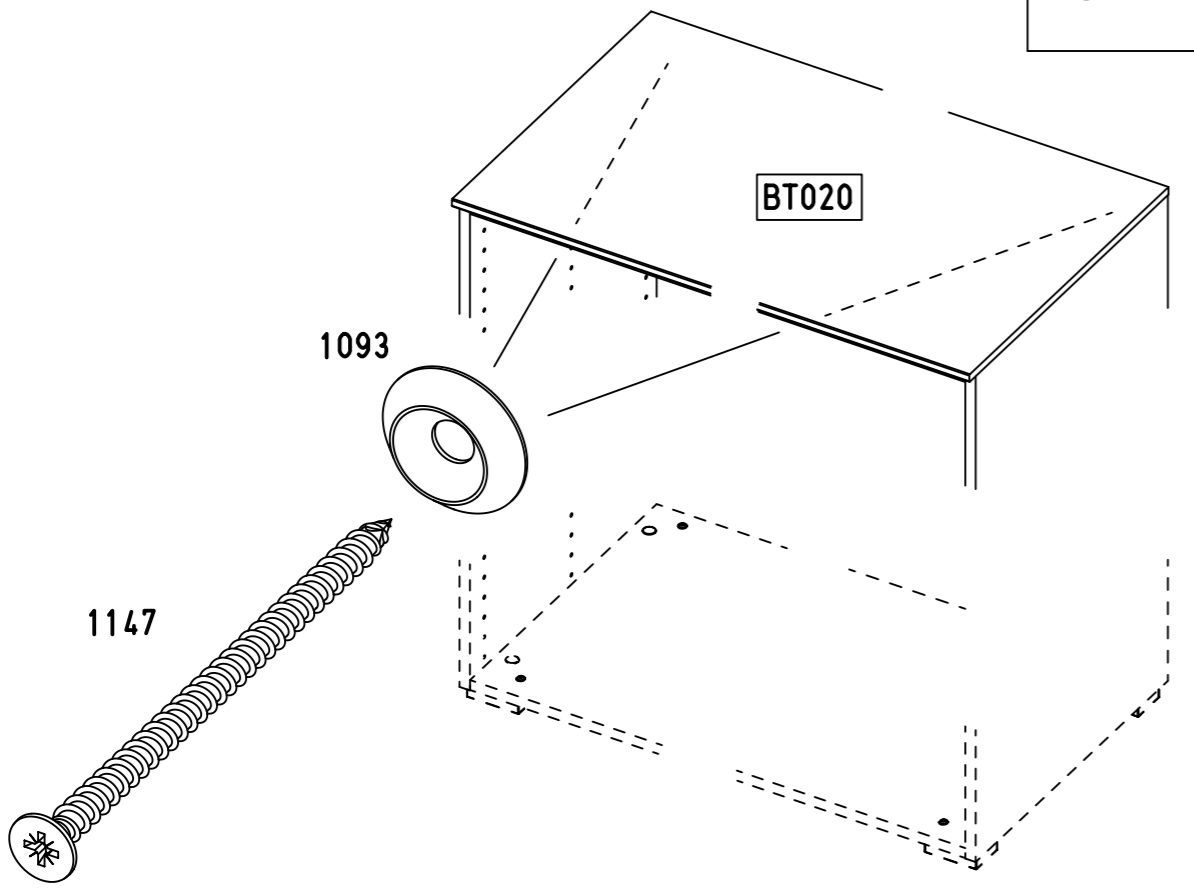
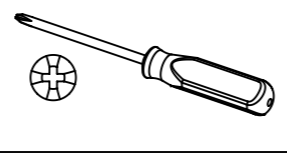
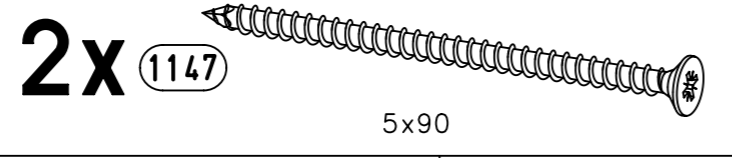
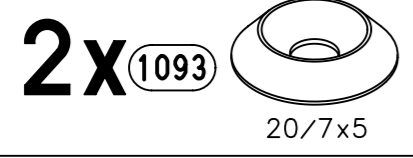
15



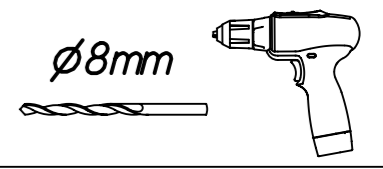
16



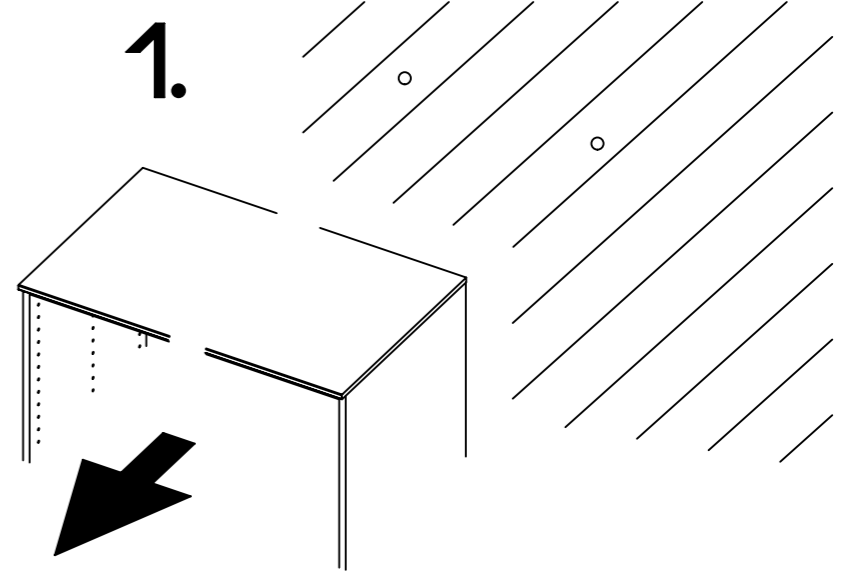
17



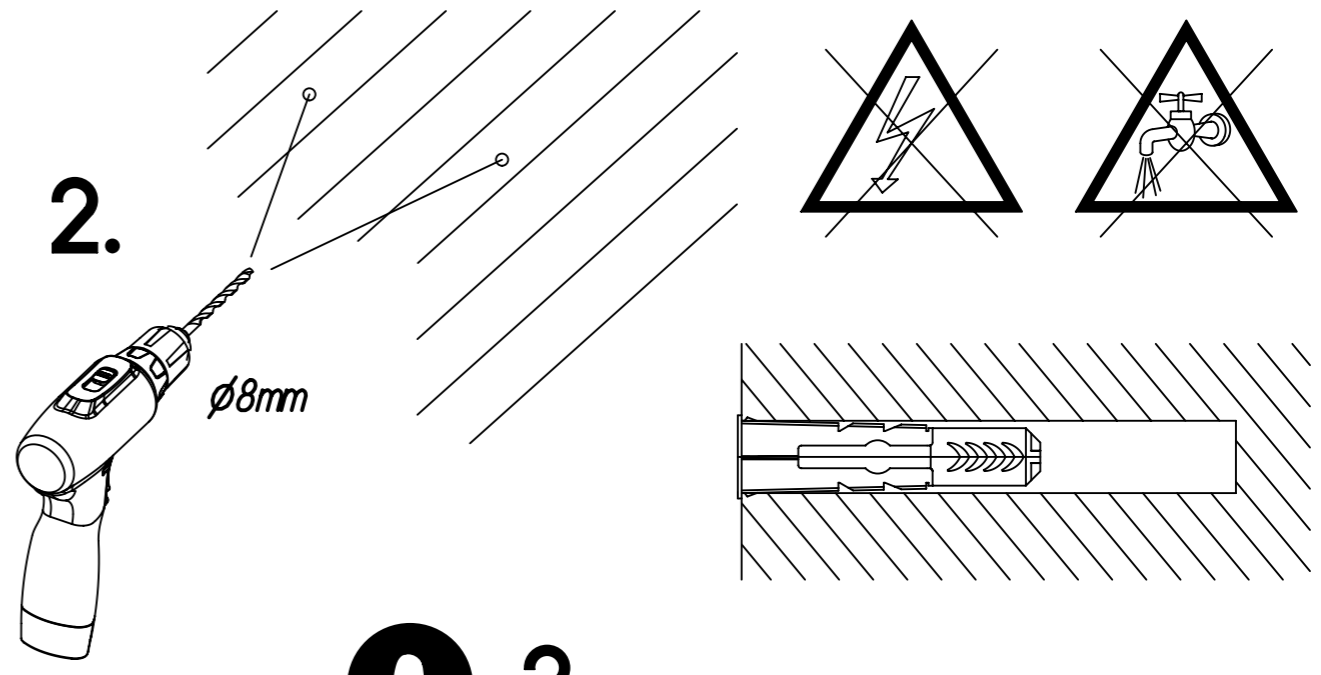
18



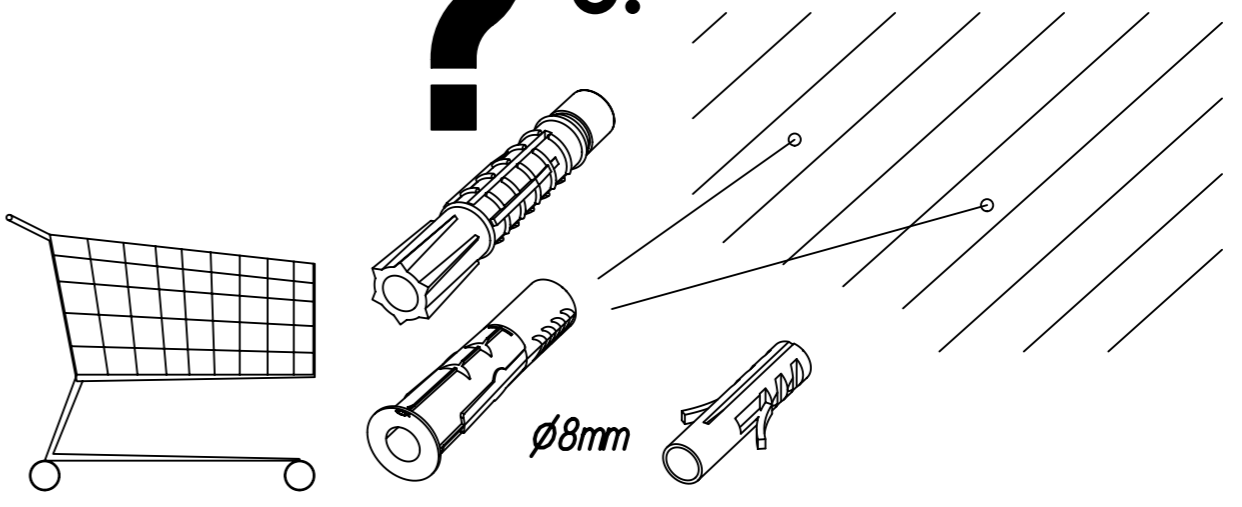
1.



2.

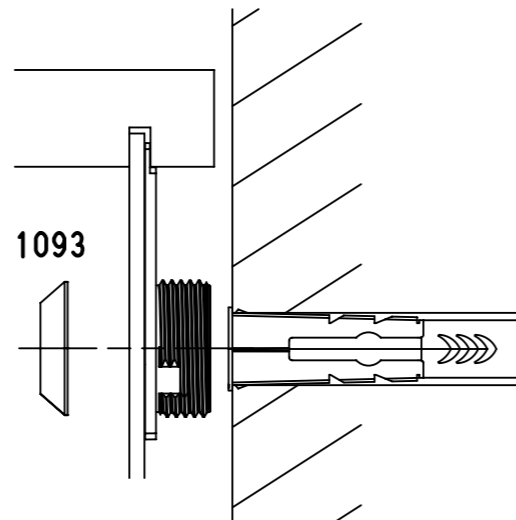
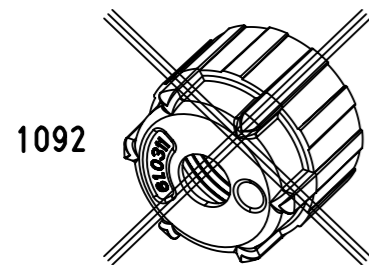
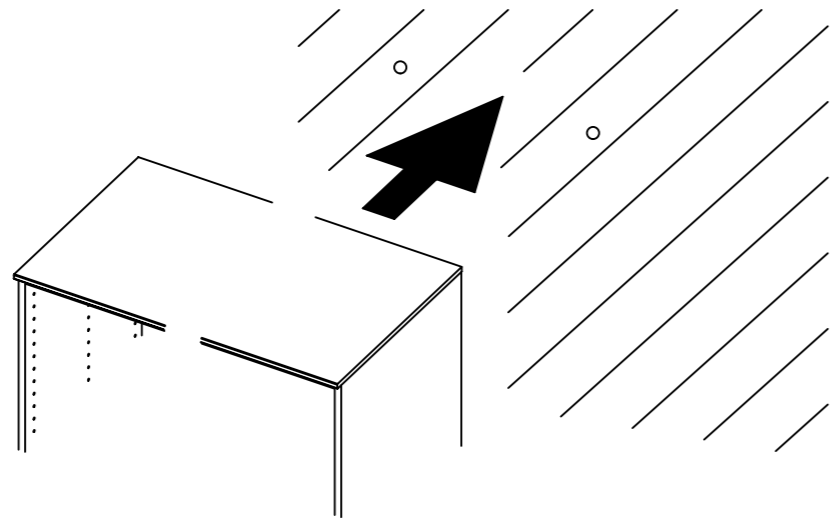
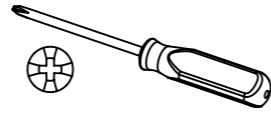
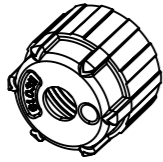


? 3.



19

2x 1092

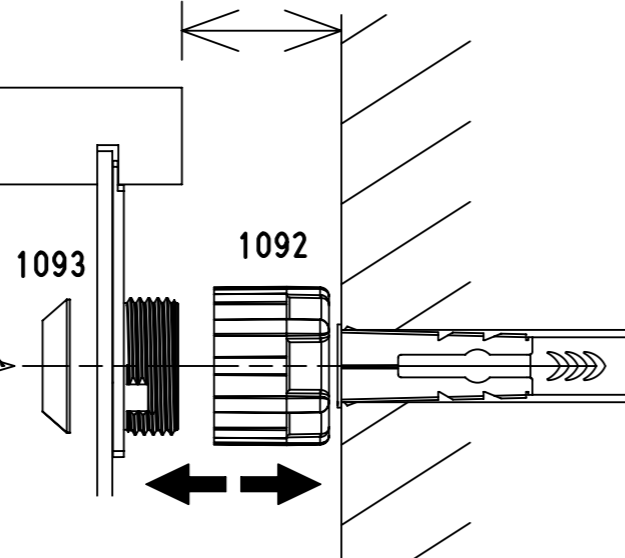


1092

1147

1093

10-15mm



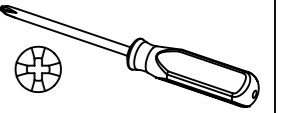
1147

1093

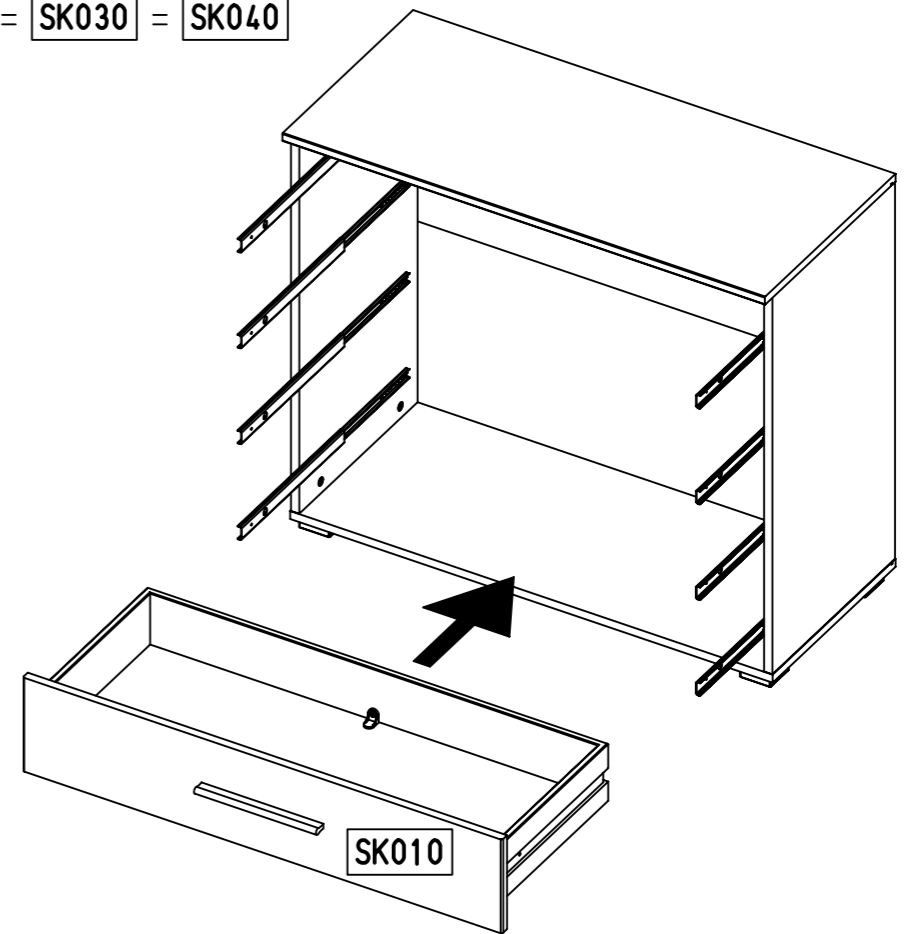
1092

20

8x 568

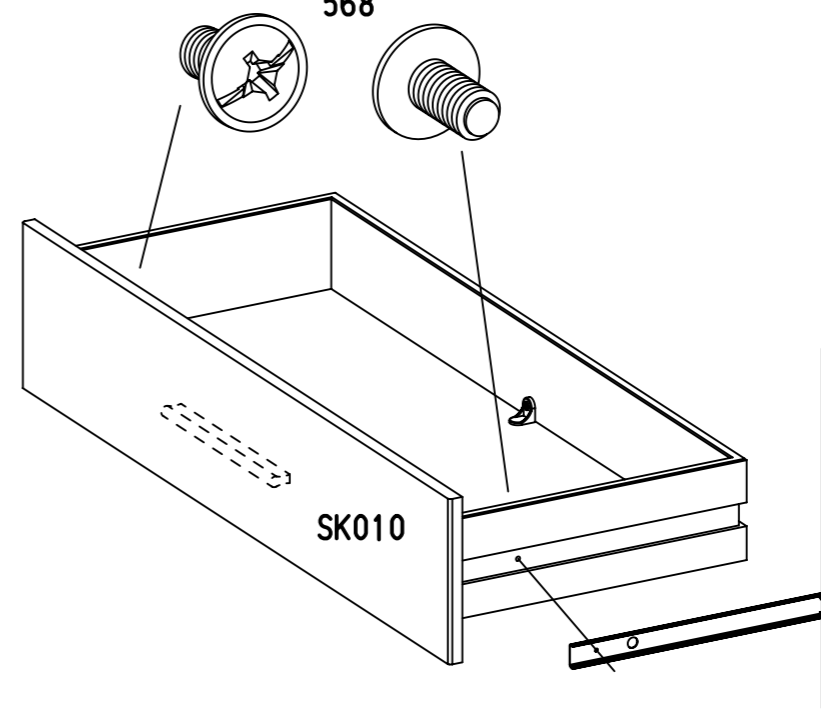


SK010 = SK020 = SK030 = SK040



SK010

568



SK010