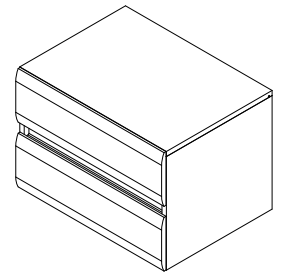
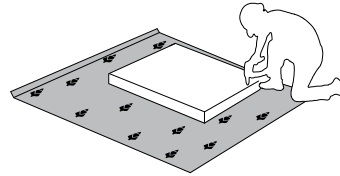
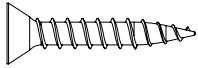
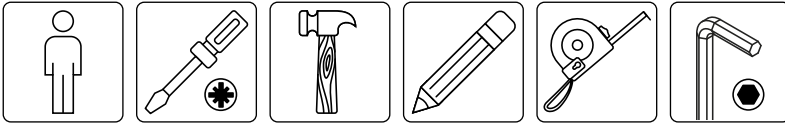




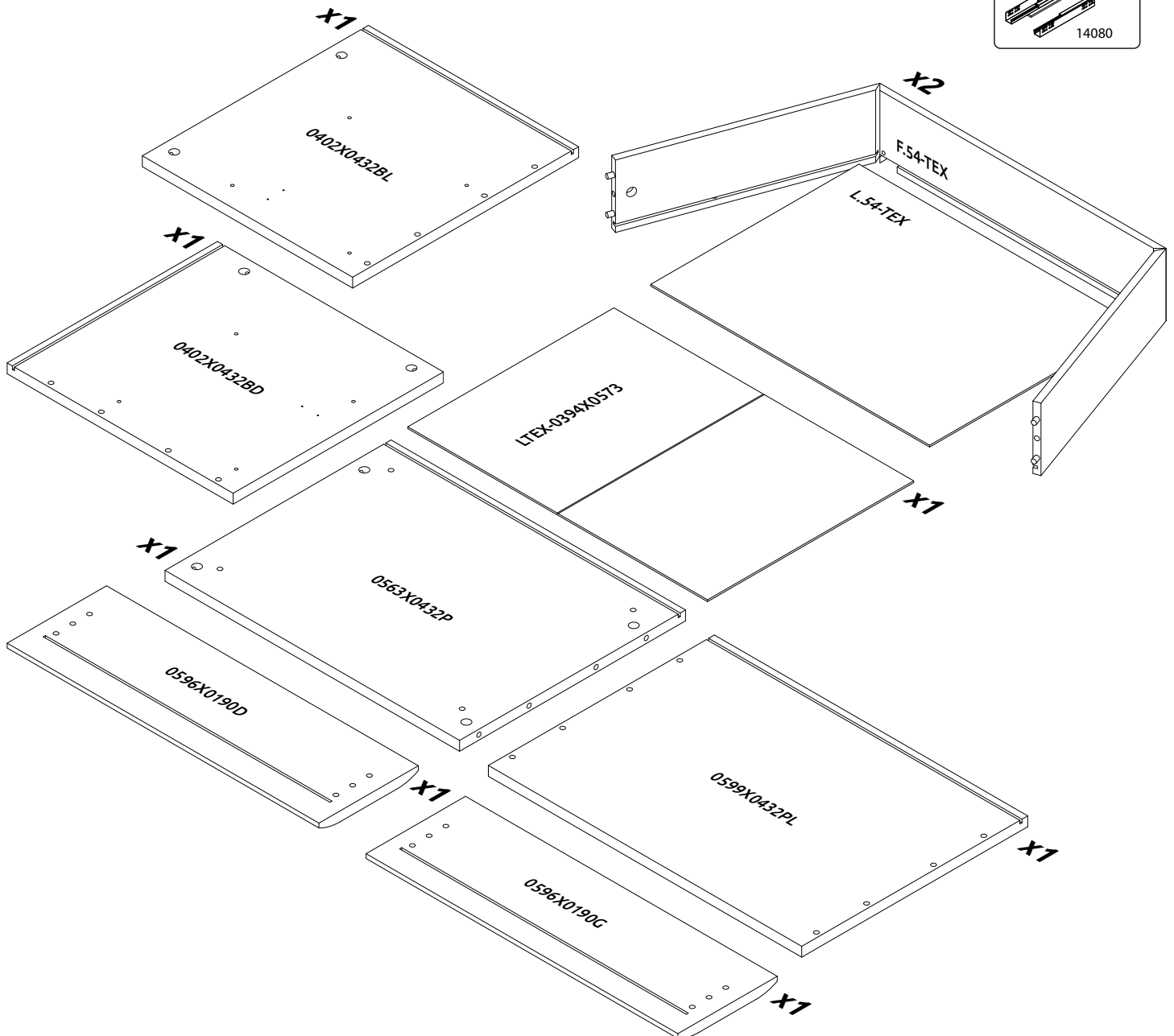
IMPORTANT - READ CAREFULLY - RETAIN FOR FUTURE REFERENCE
WICHTIG - SORGFÄLTIG LESEN UND AUFBEWAHREN

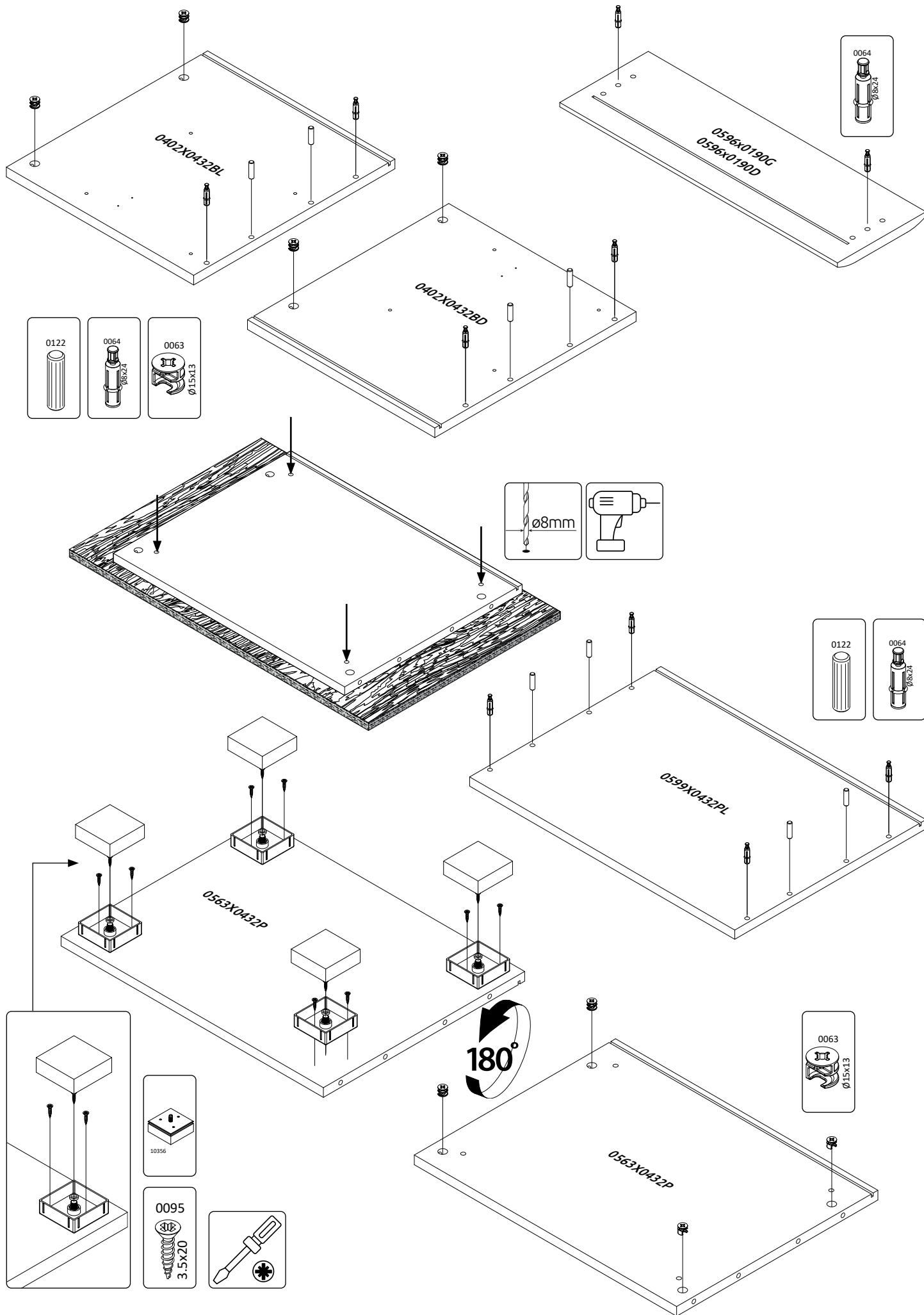


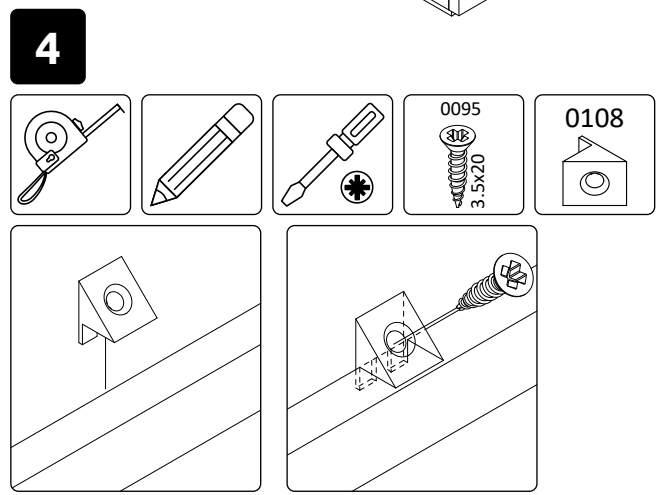
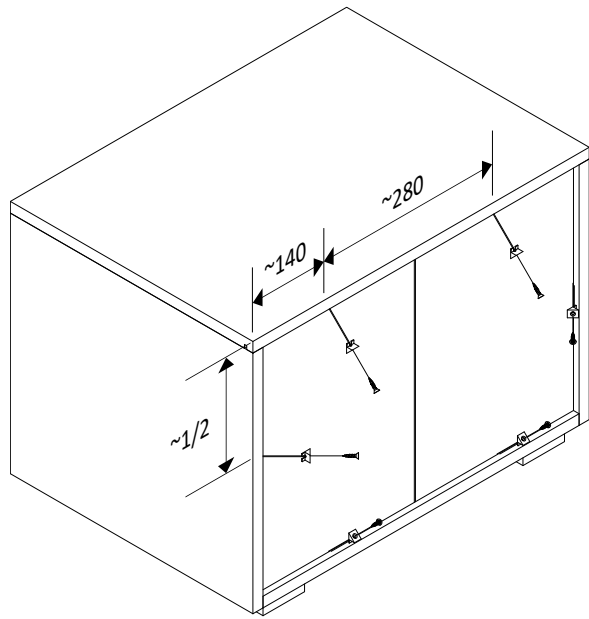
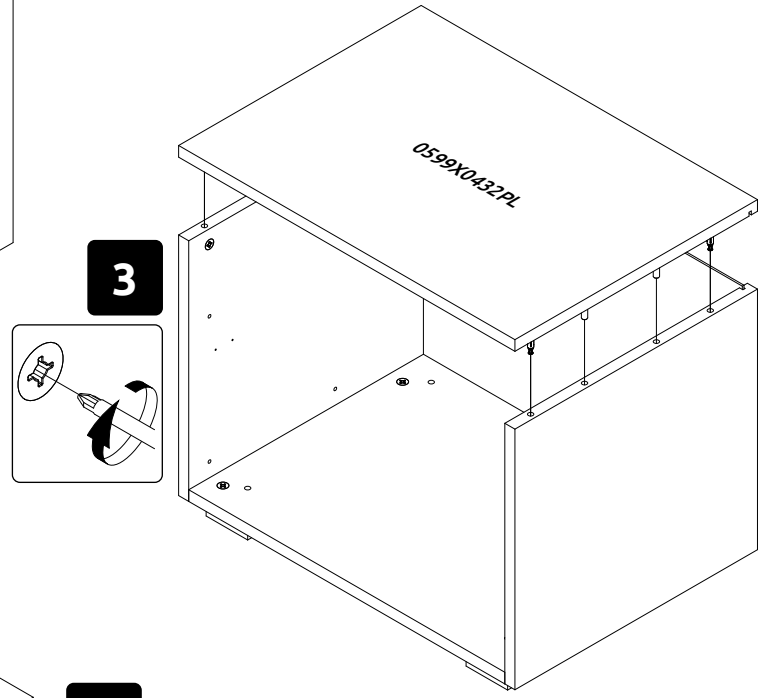
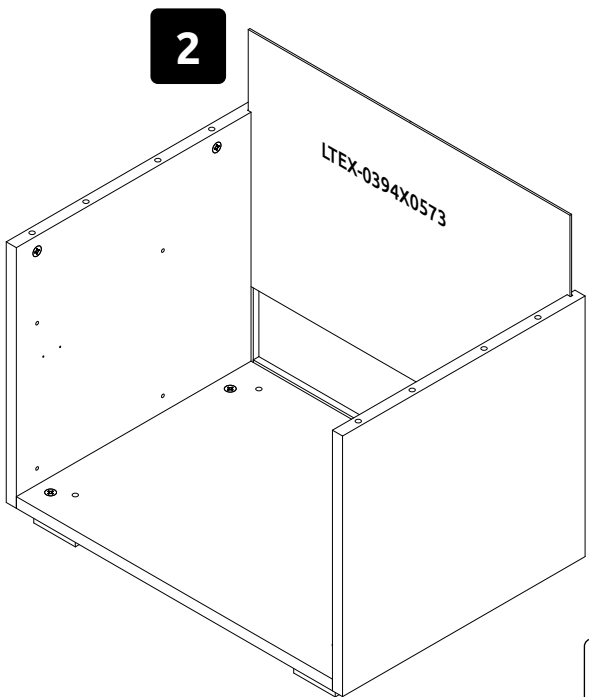
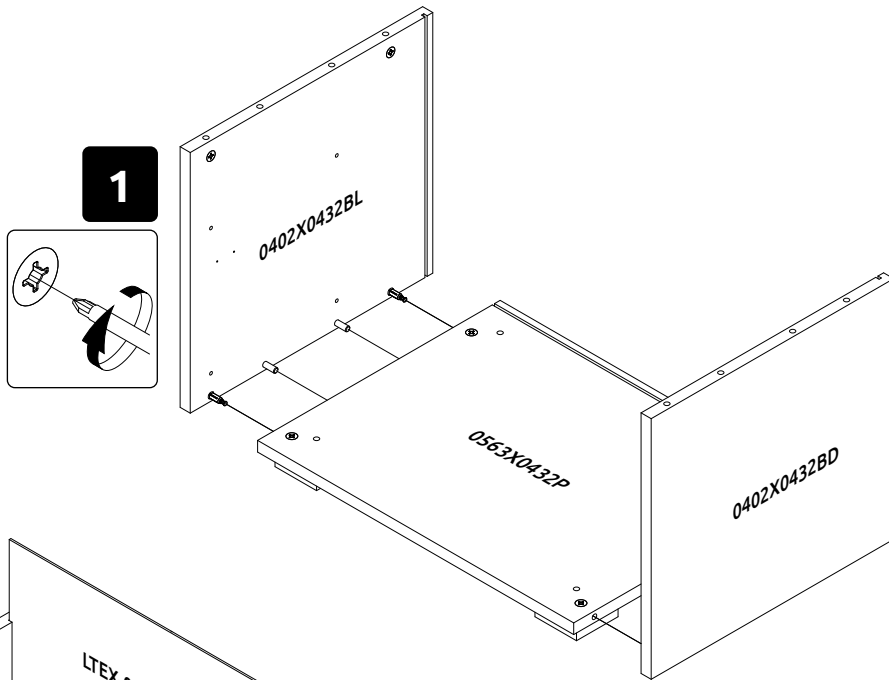
NS2/IC
LHW - 599x445x450

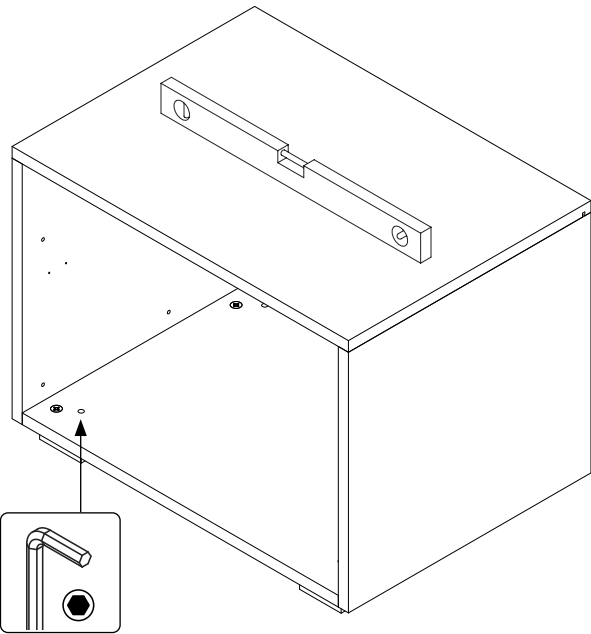
- | | | | | | | | | | | | | | |
|------------------------|---------------------------------|-------------------------------------|------------------------|--------------------------------|------------------------|-------------------------------|--------------------------------|---------------------------------|---------------------------------|------------------------|-------------------------------|------------------------|------------------------|
| x8
53827
 | x8
0063
Ø15x13
 | x12
0064
1/8"x1/2"
 | x10
0108
 | x10
0095
3x20
 | x2
38277
 | x4
0096
4x18
 | x8
102
6.3x13
 | x4
0094
3.5x16
 | x4
0065
Ø15x10
 | x4
41351
 | x1
0113
GLUE
 | x4
25575
 | x1
56174
 |
|------------------------|---------------------------------|-------------------------------------|------------------------|--------------------------------|------------------------|-------------------------------|--------------------------------|---------------------------------|---------------------------------|------------------------|-------------------------------|------------------------|------------------------|

- | |
|------------------------|
| x2
14080
 |
|------------------------|

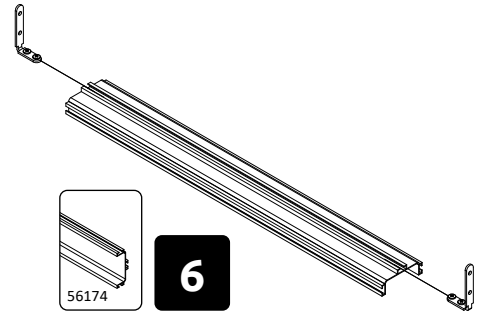
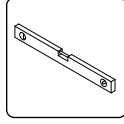






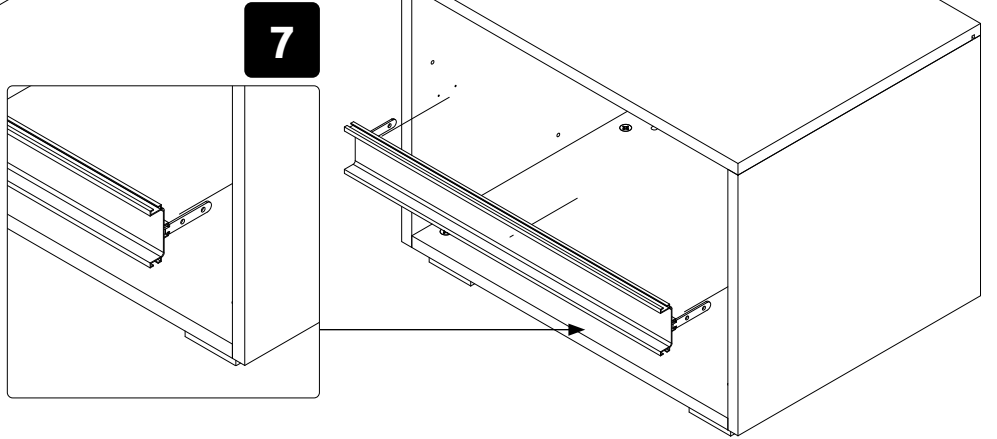


5

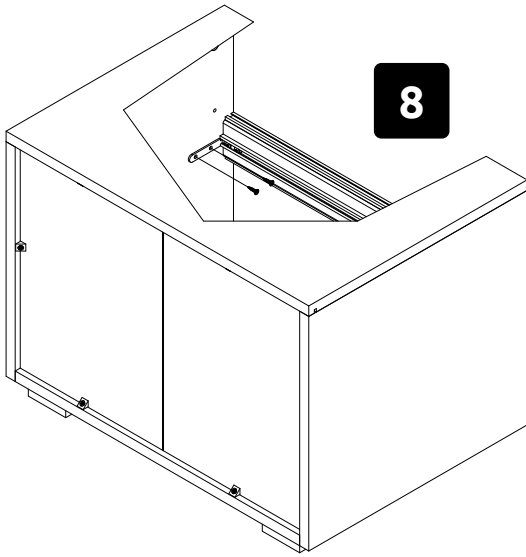


56174

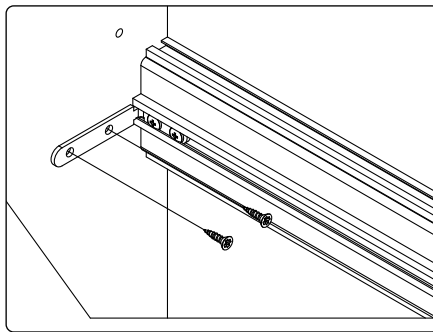
6



7

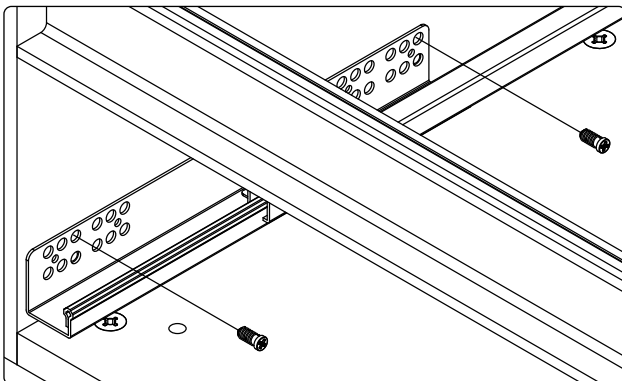


8



0096
4x18

102
6.3x13



9

