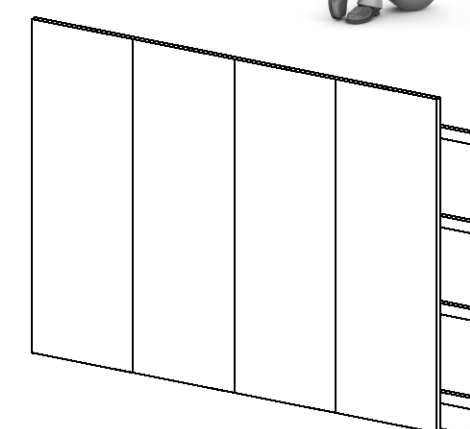
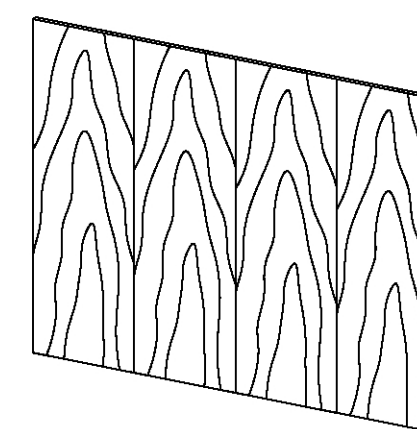
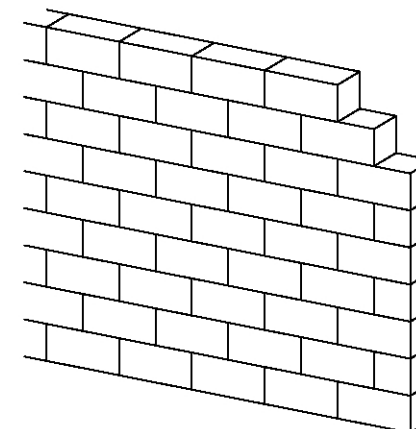
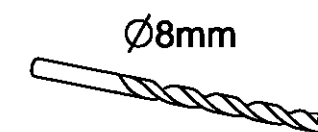
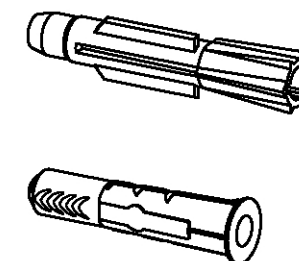
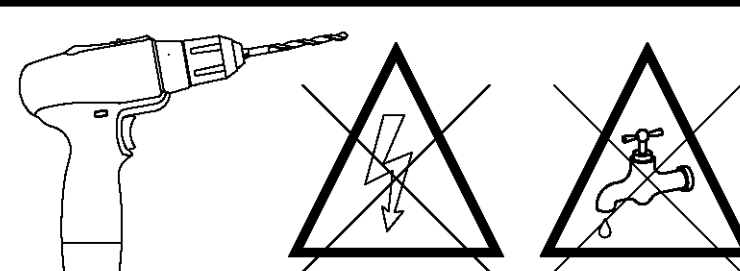
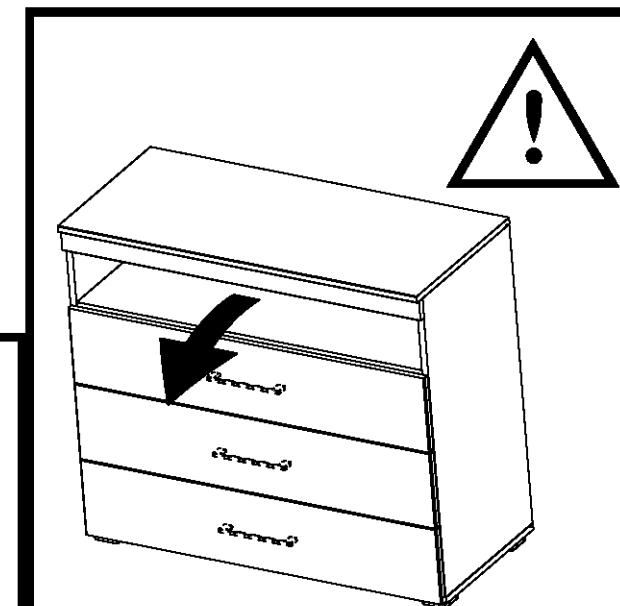
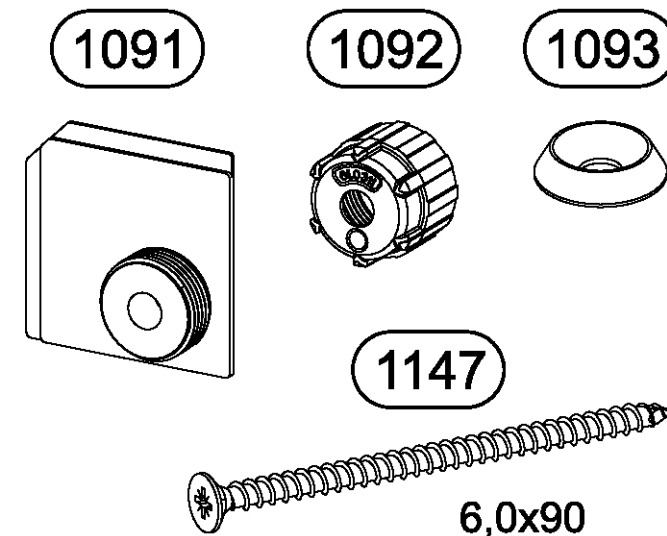
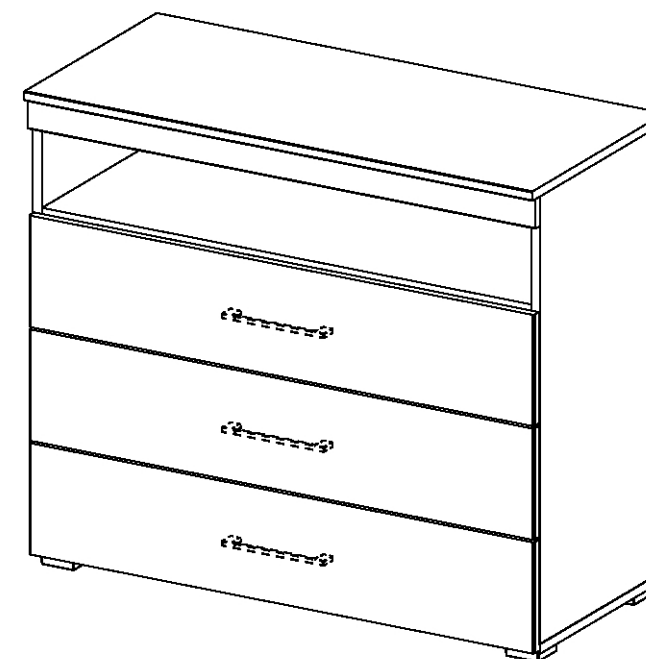
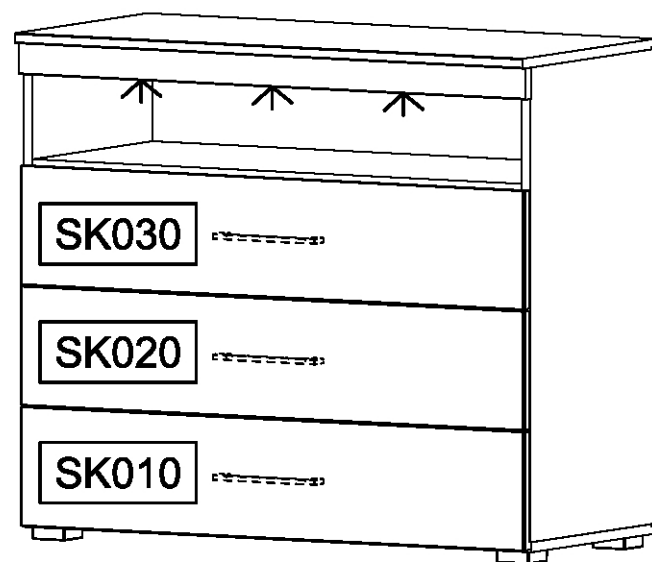
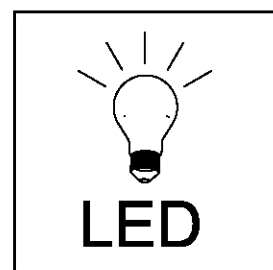
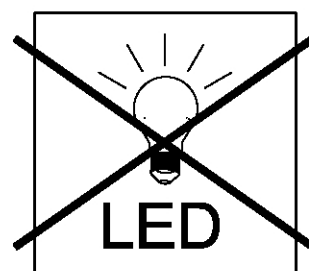
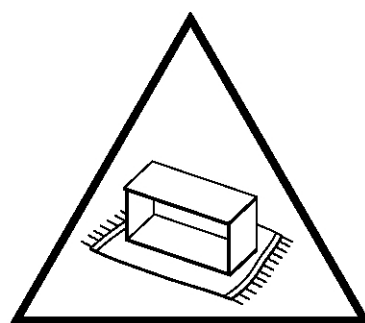
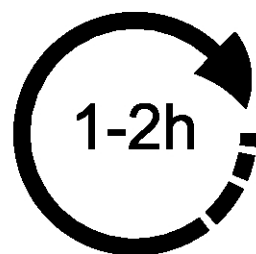
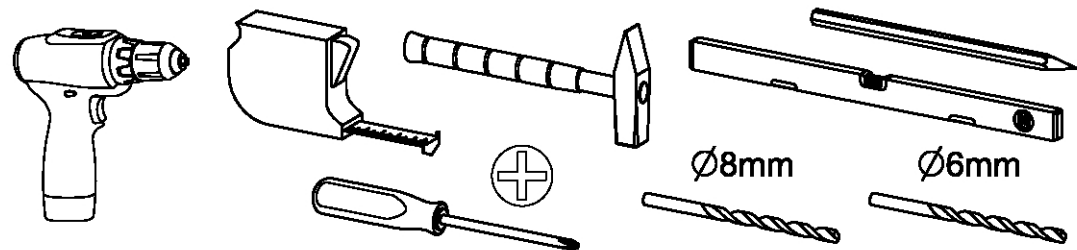
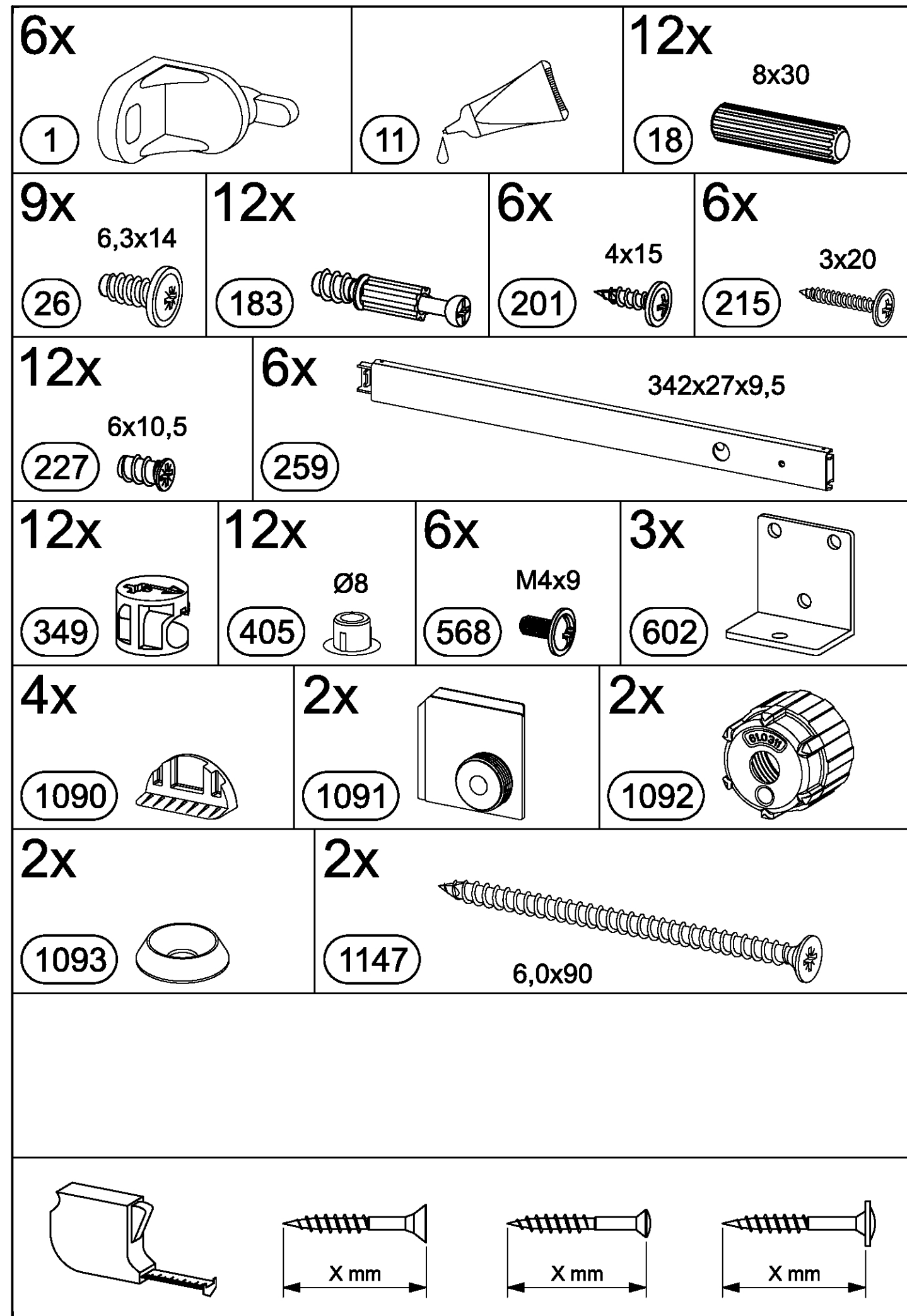
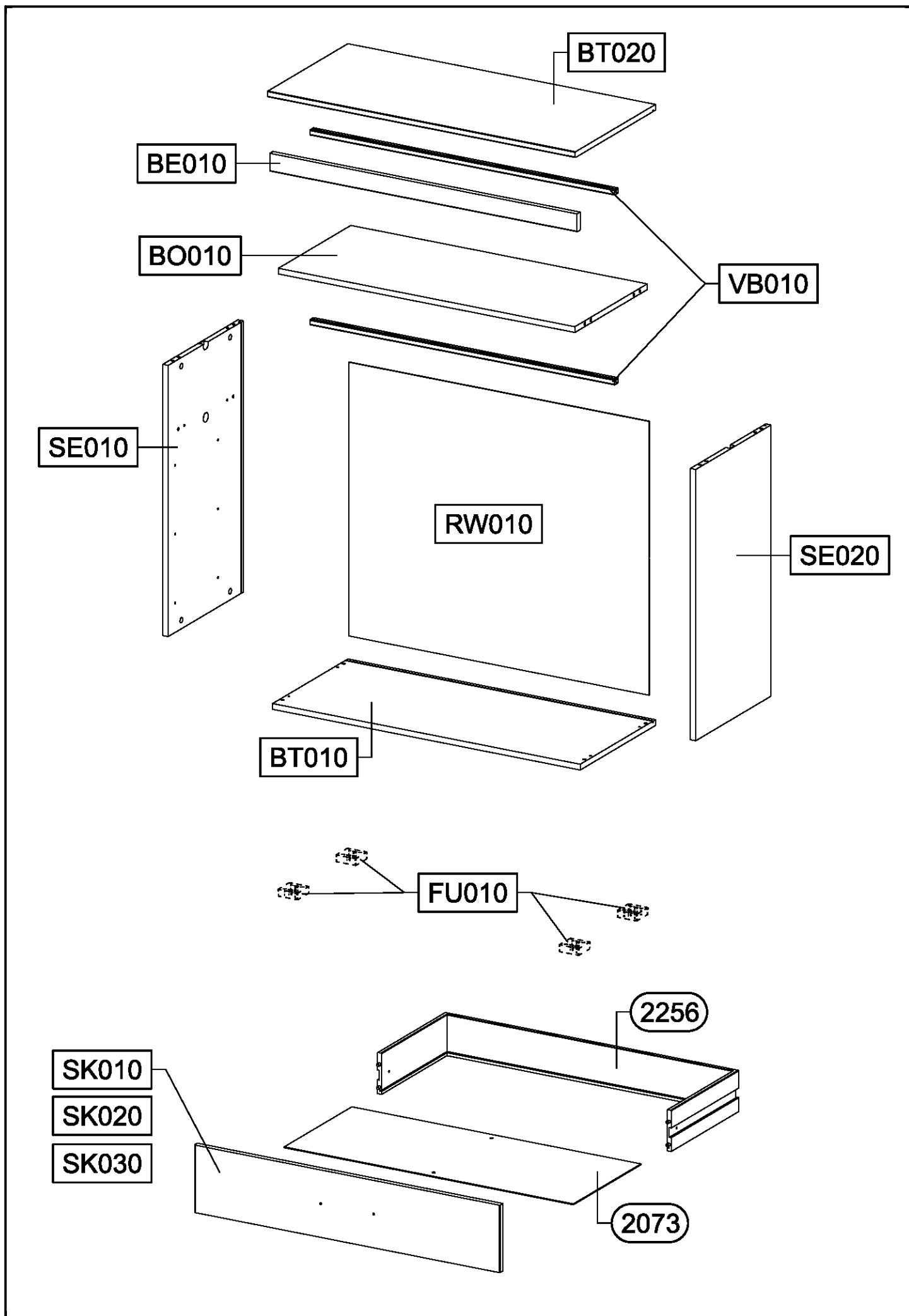


M2640_01

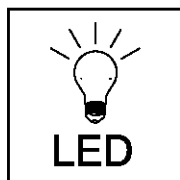
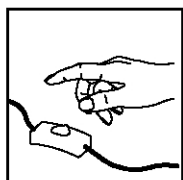
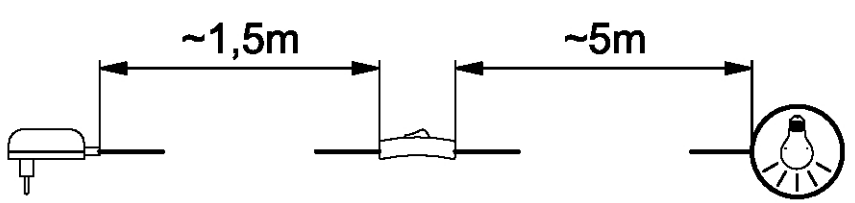
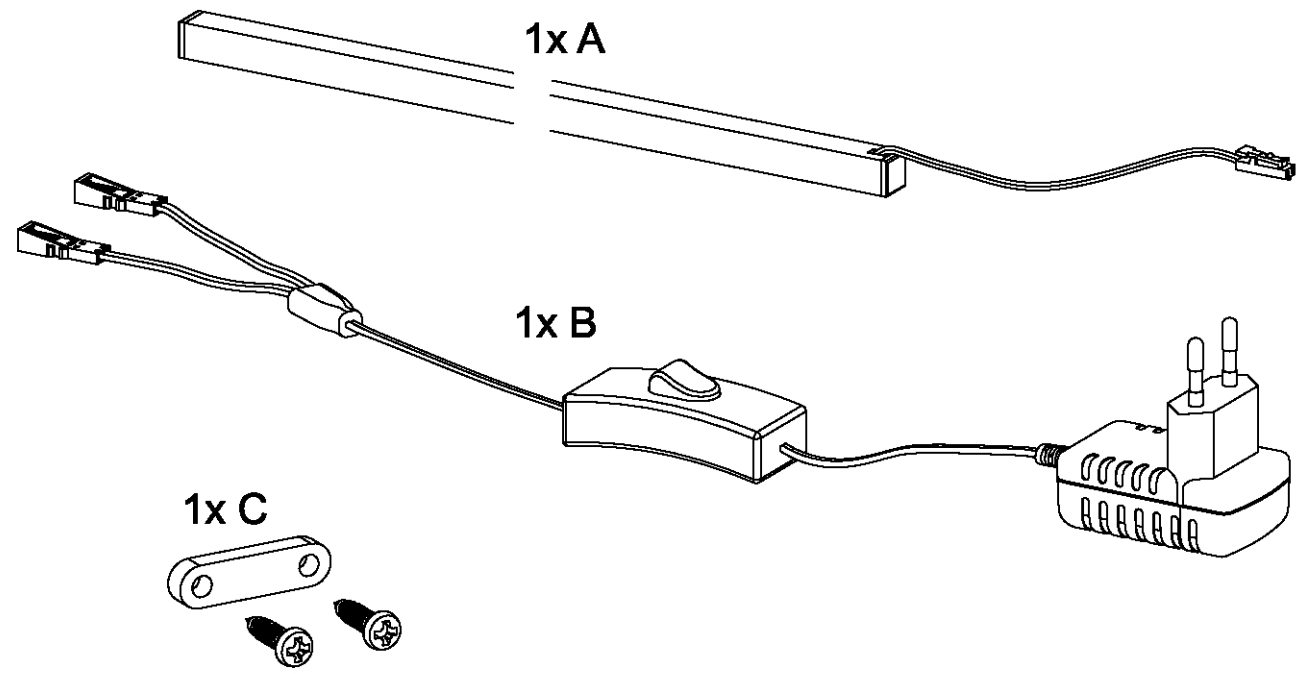
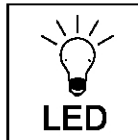
rauch



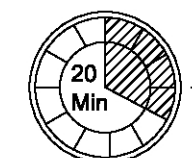
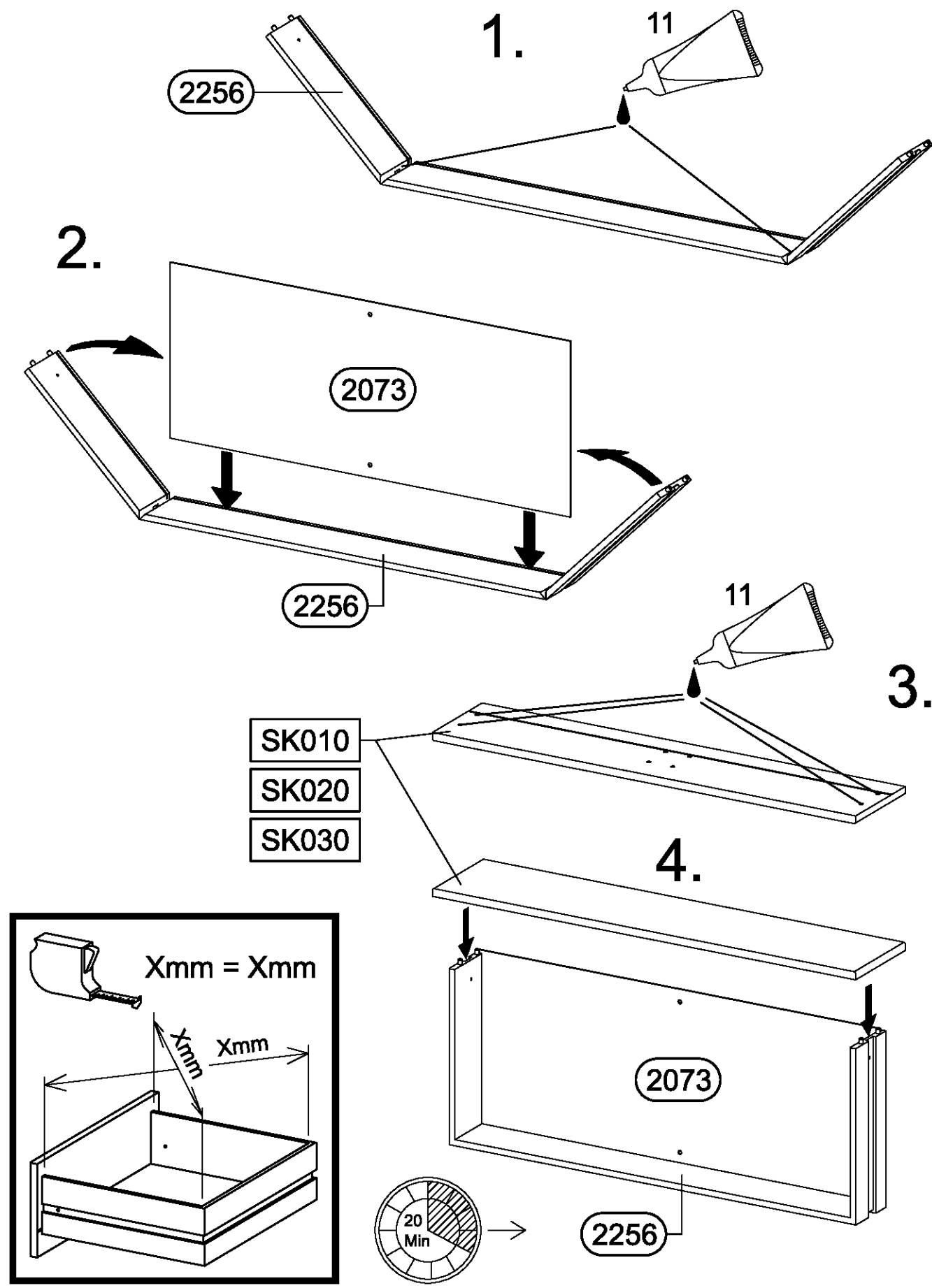
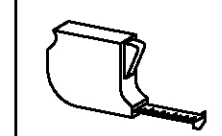
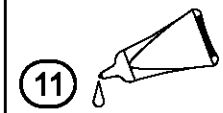


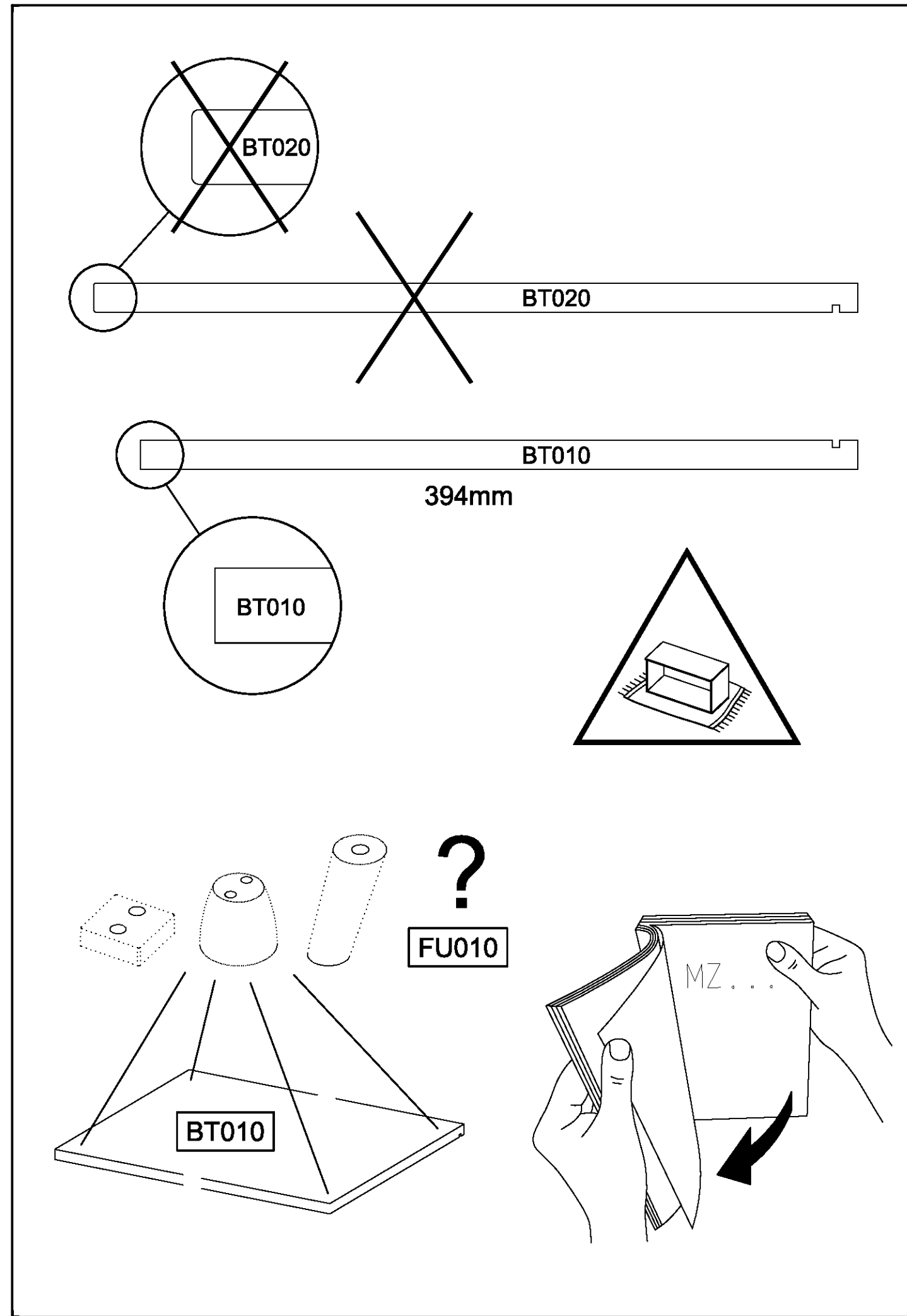
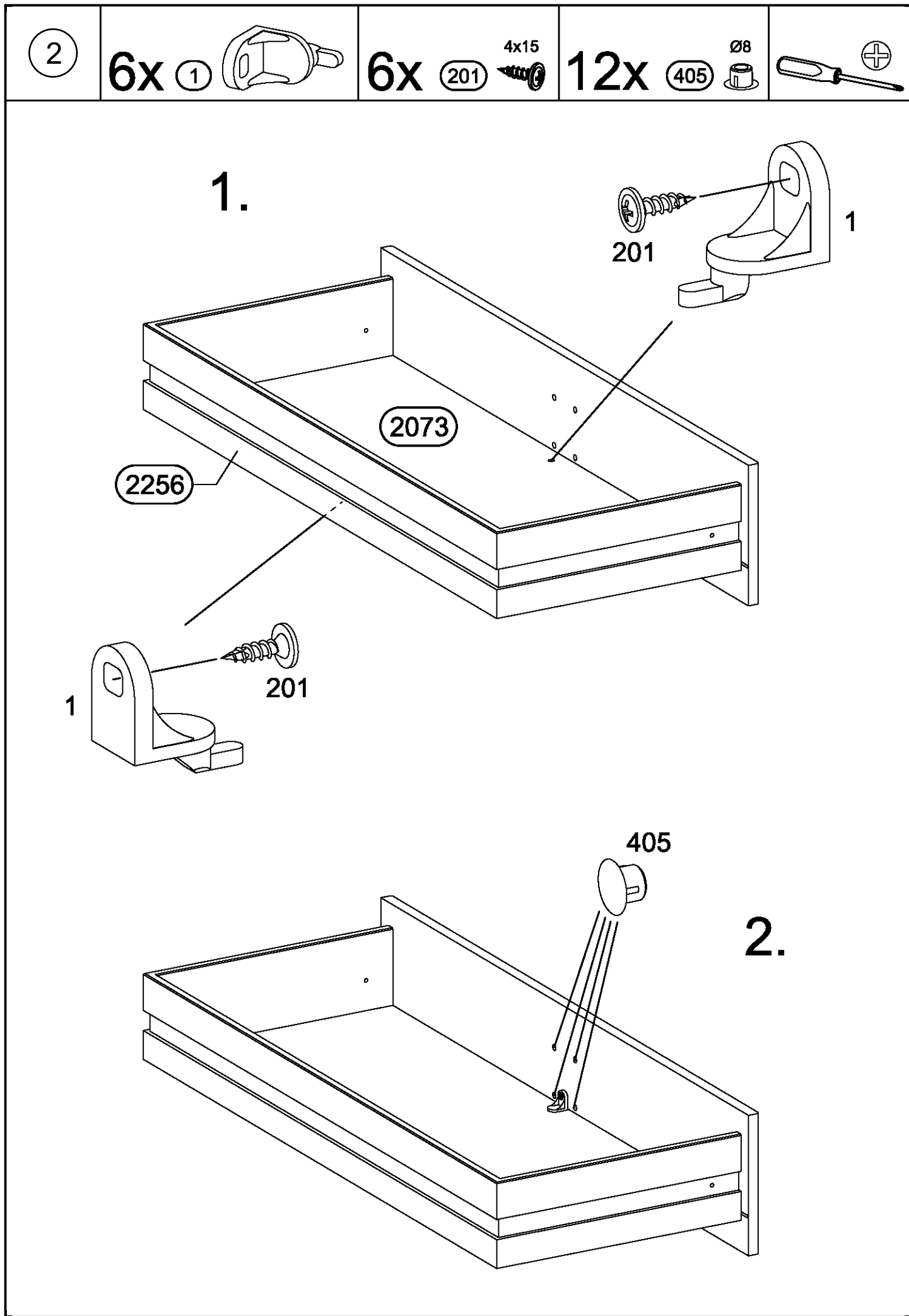
1x

LA010



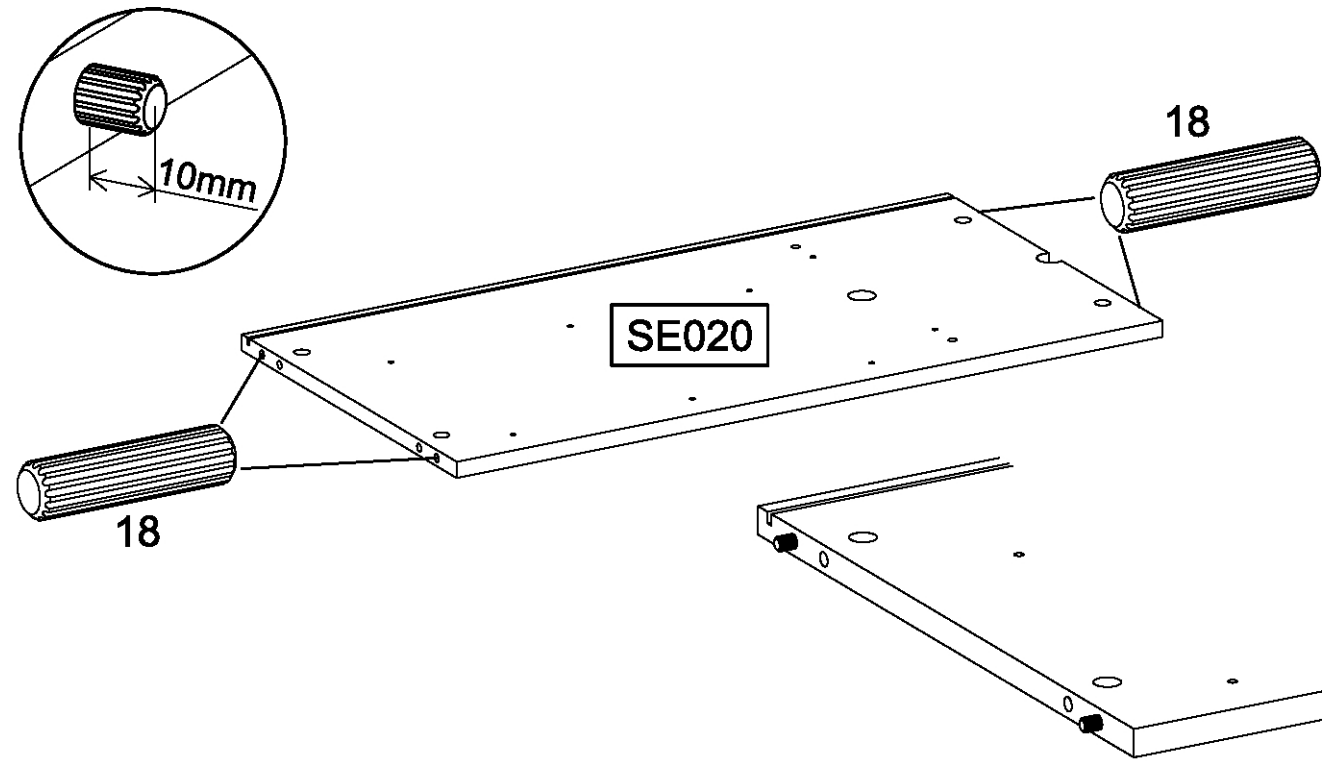
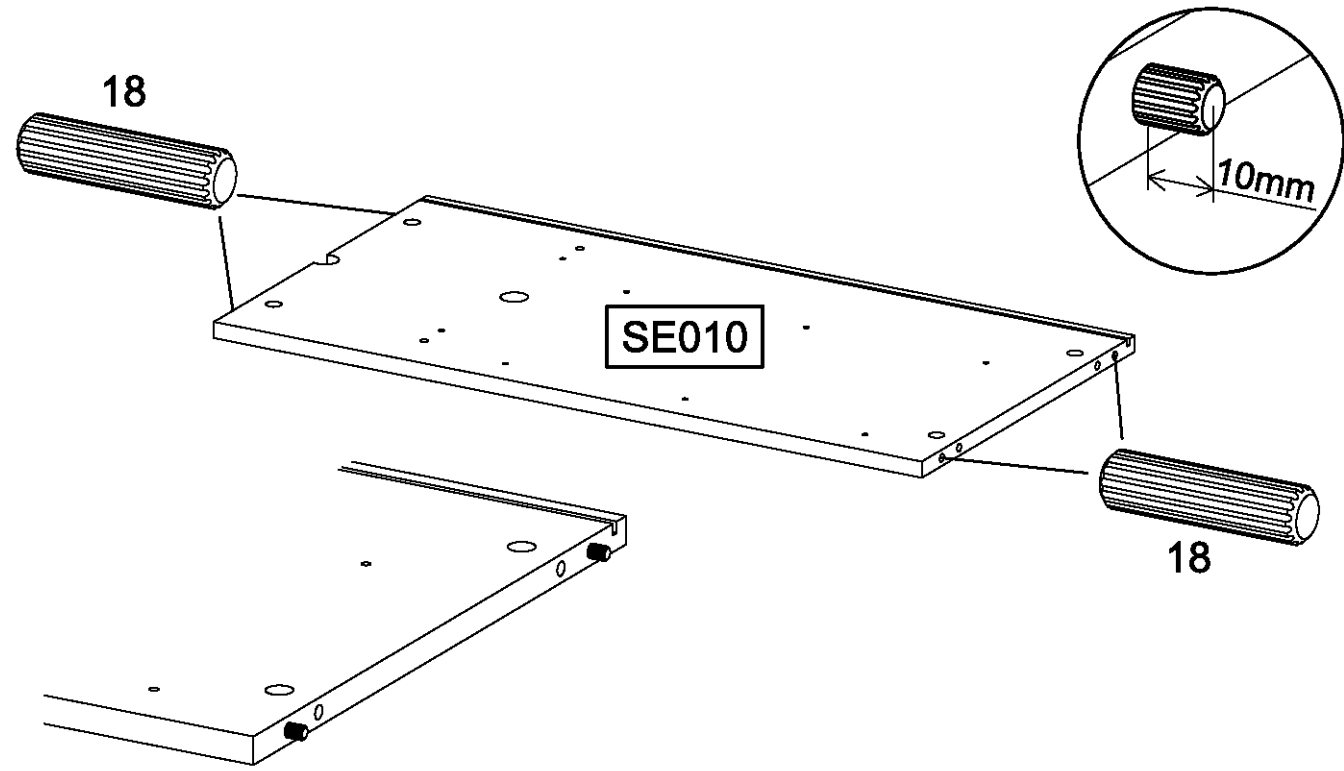
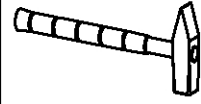
1





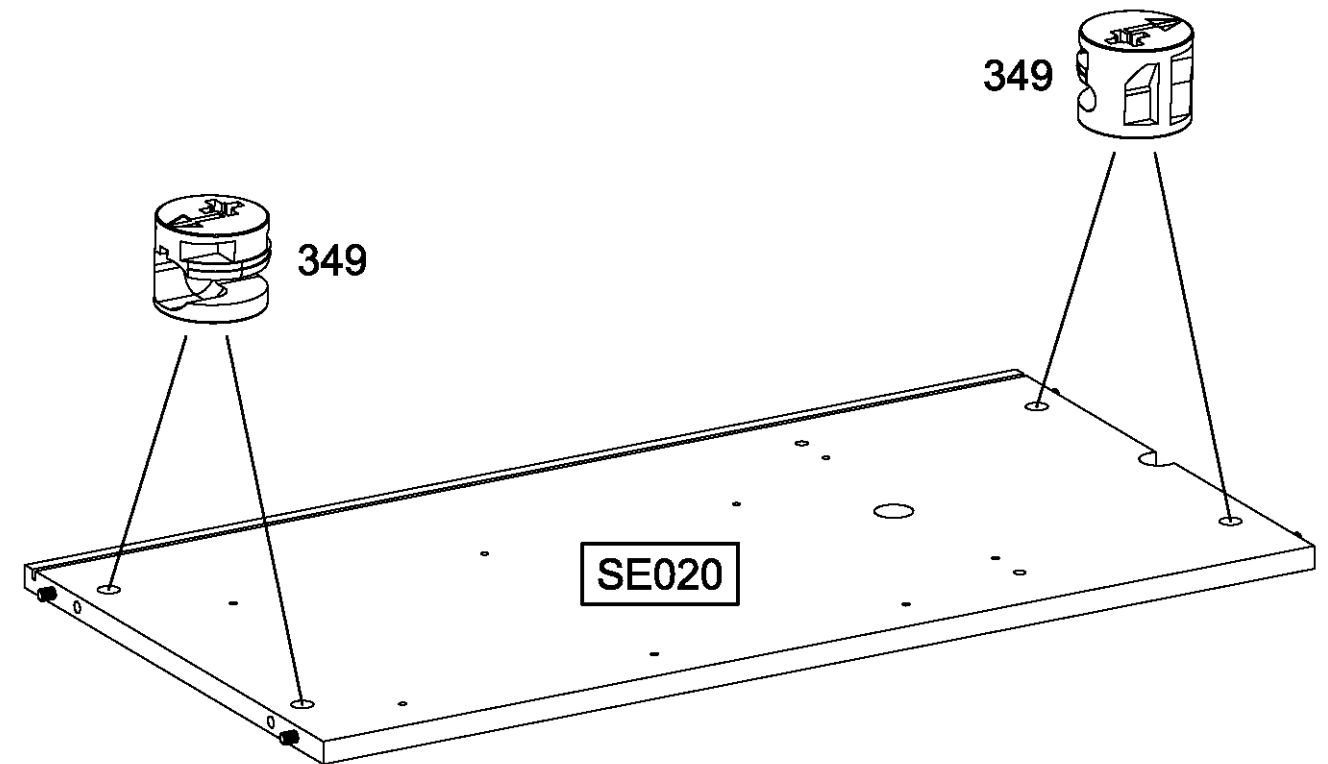
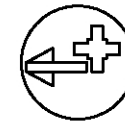
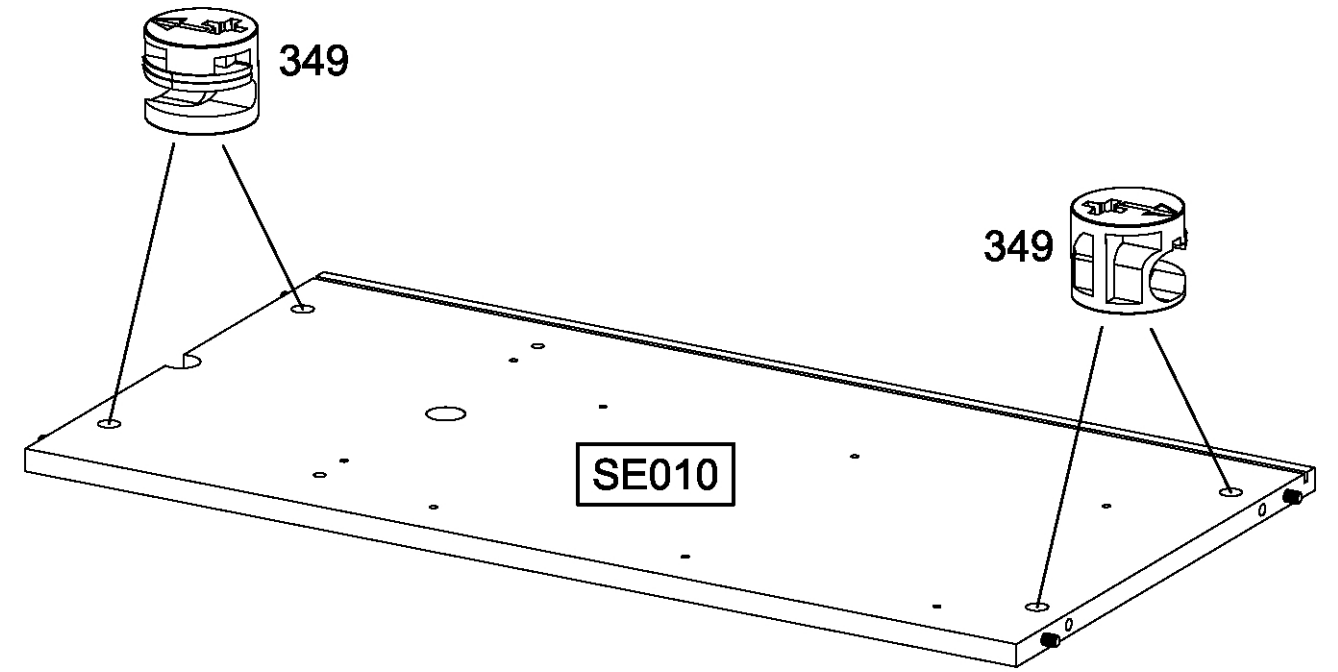
3

8x 18 8x30



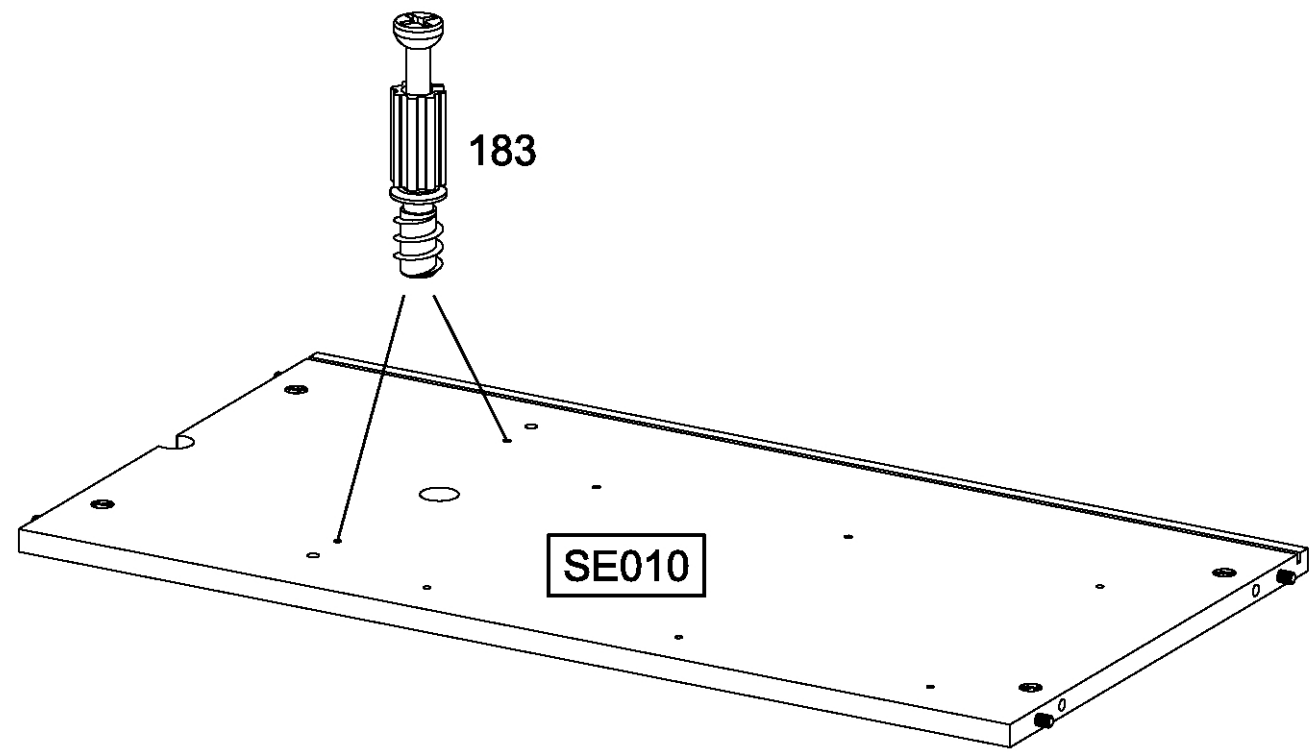
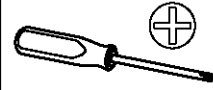
4

8x 349

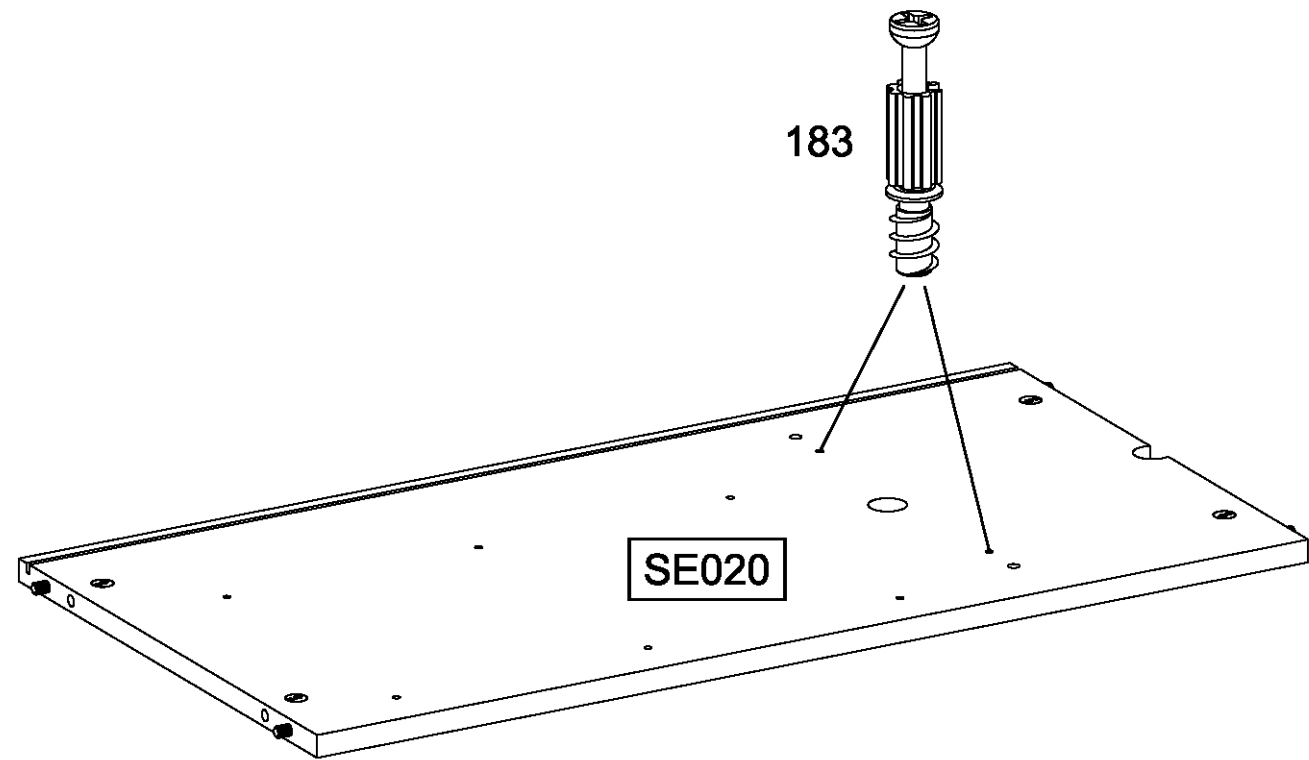


5

4x 183



SE010

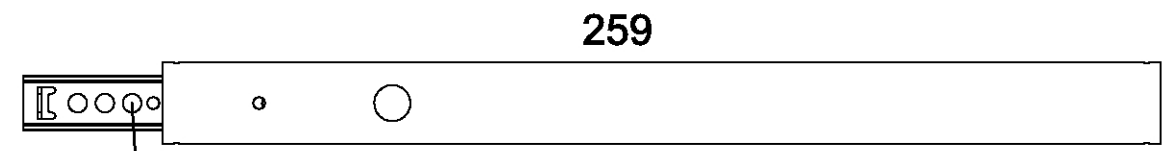
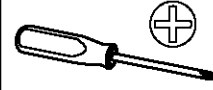
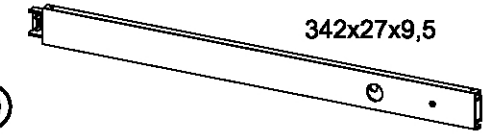


SE020

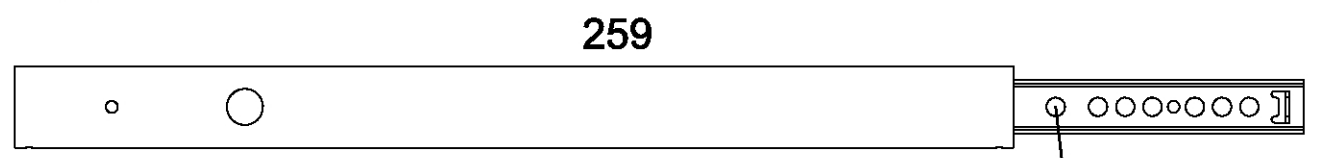
6

6x 227 6x10,5

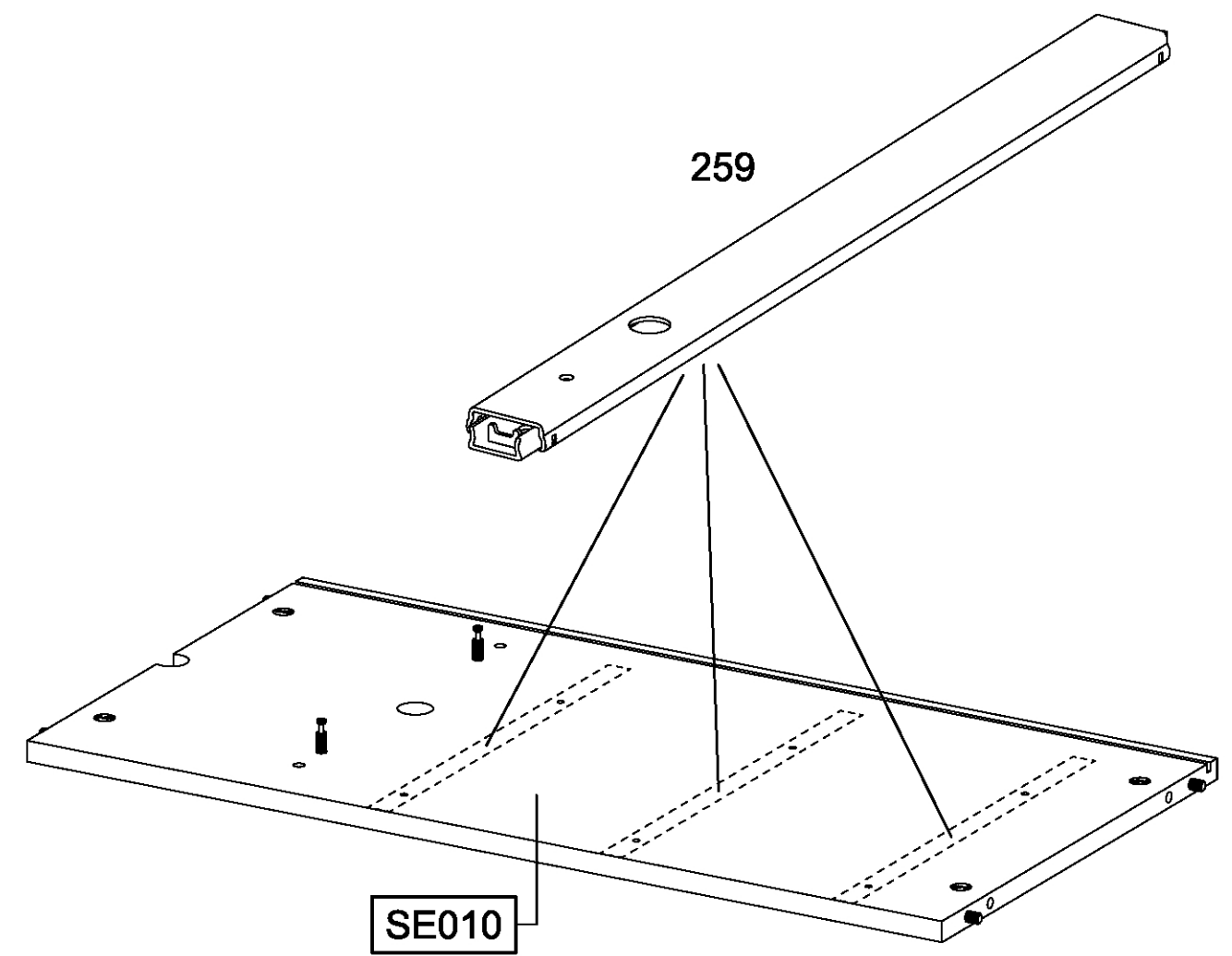
3x 259



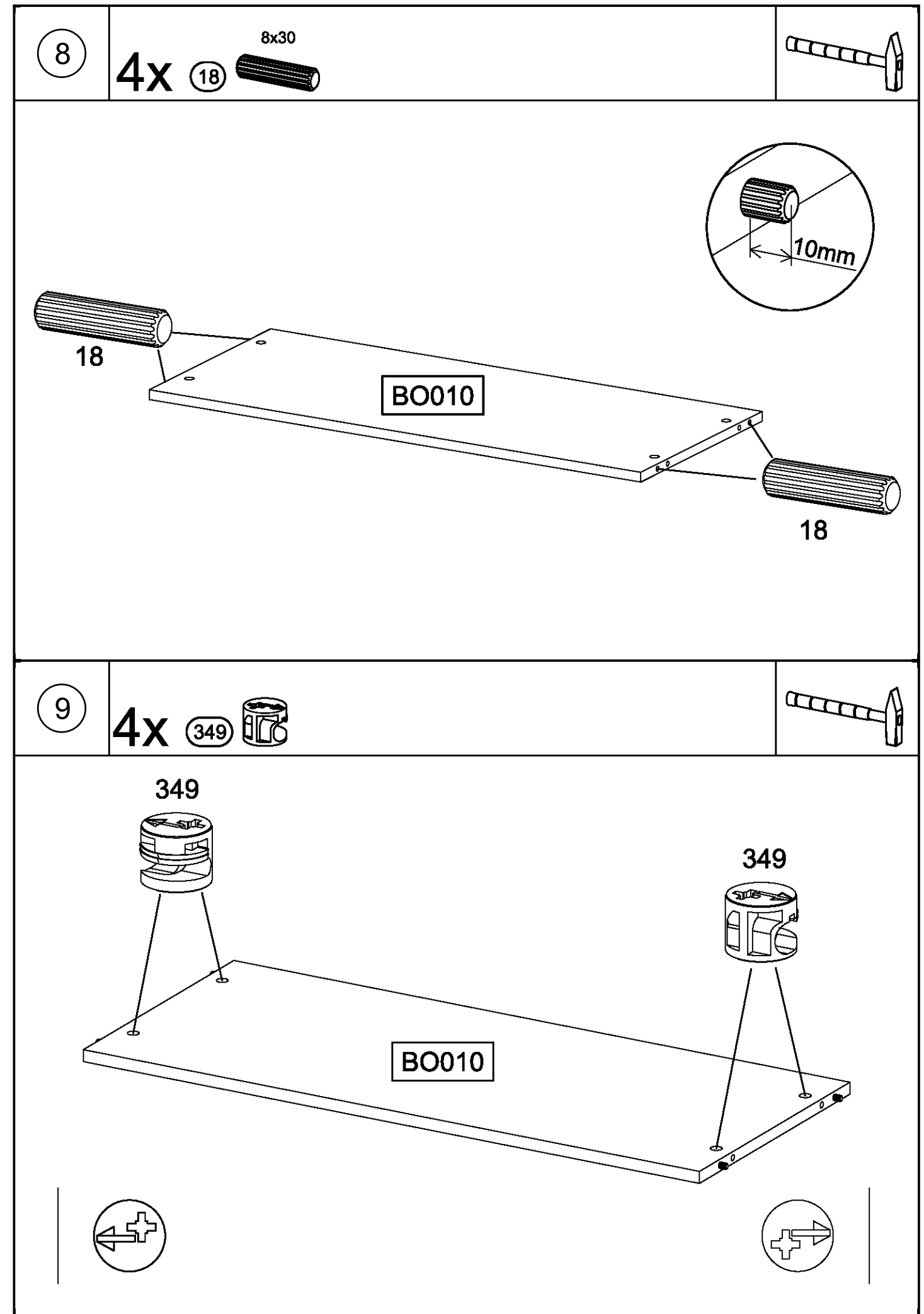
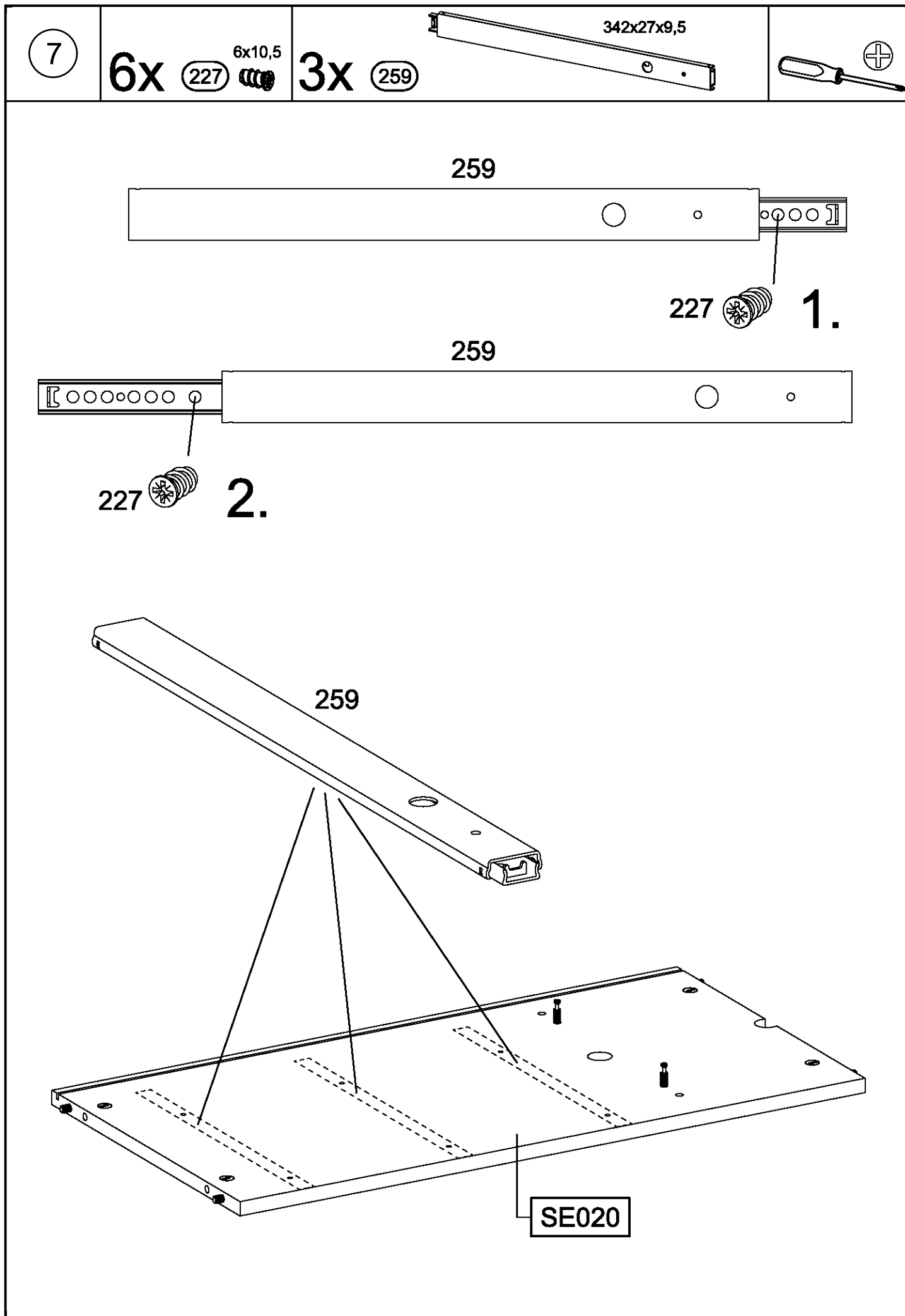
1. 227



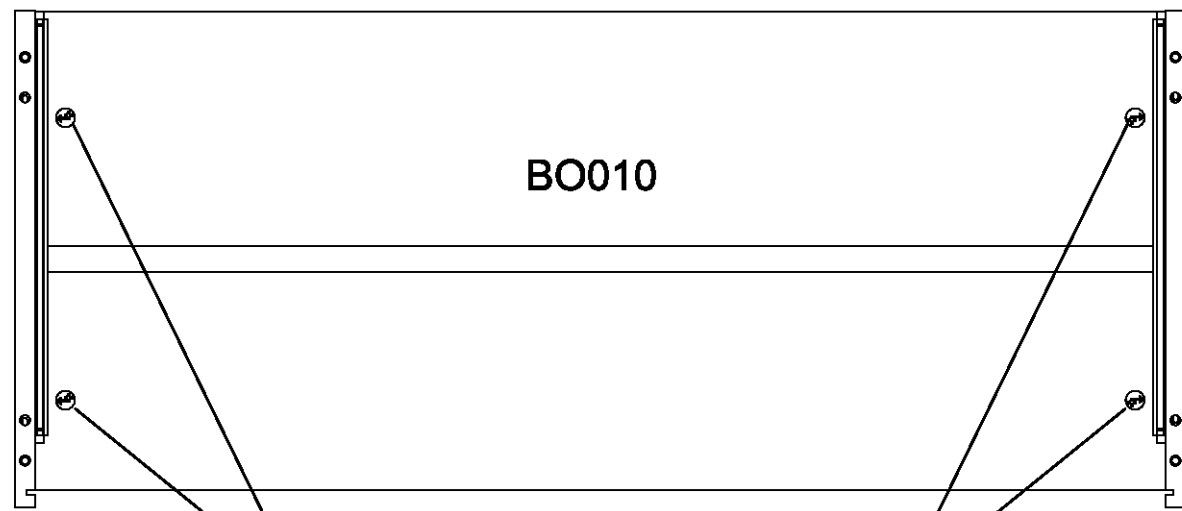
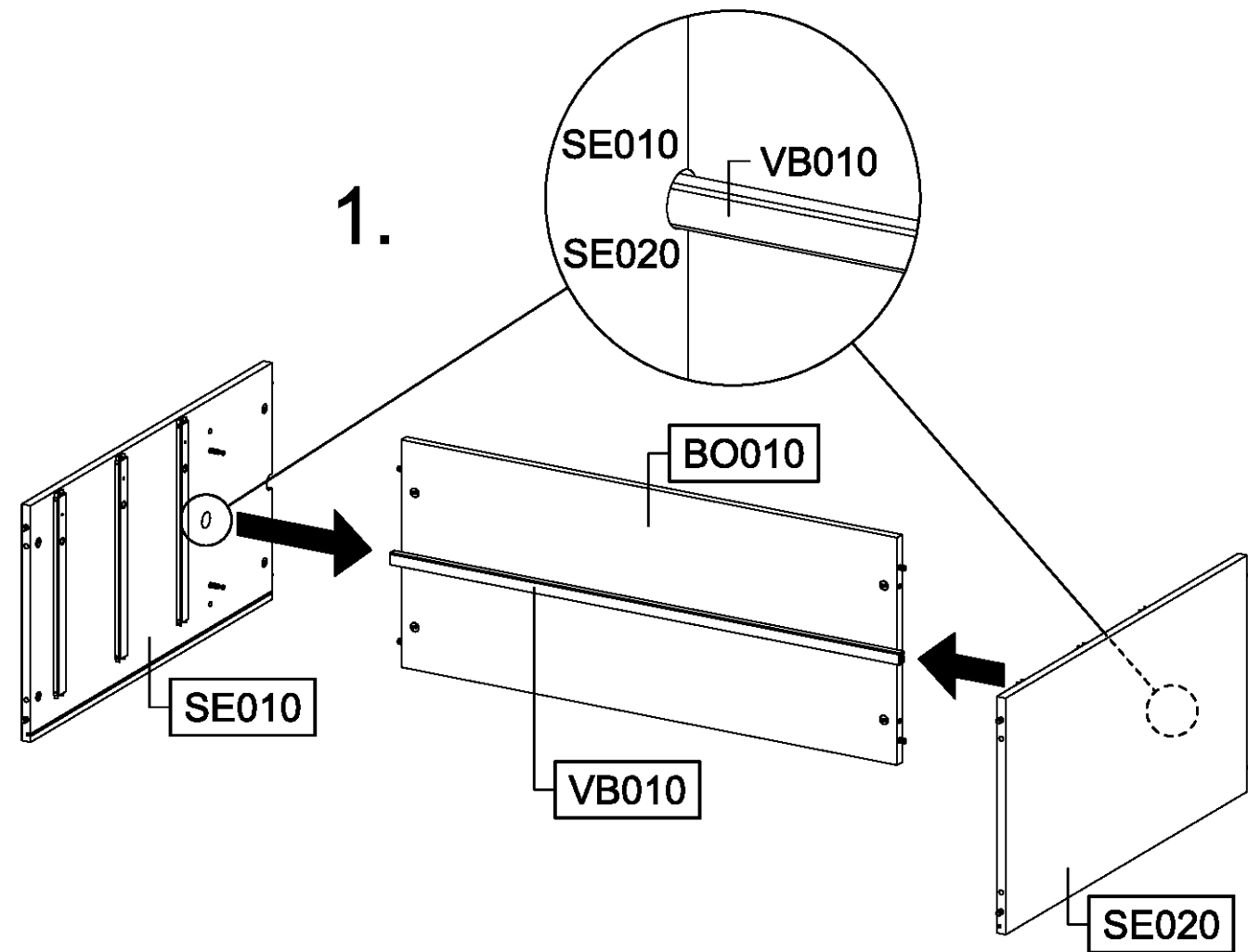
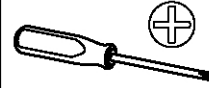
2. 227



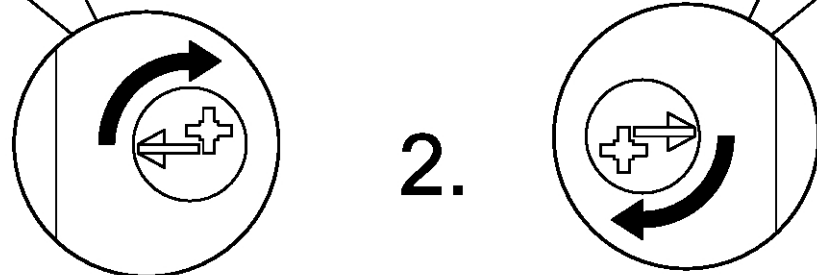
SE010



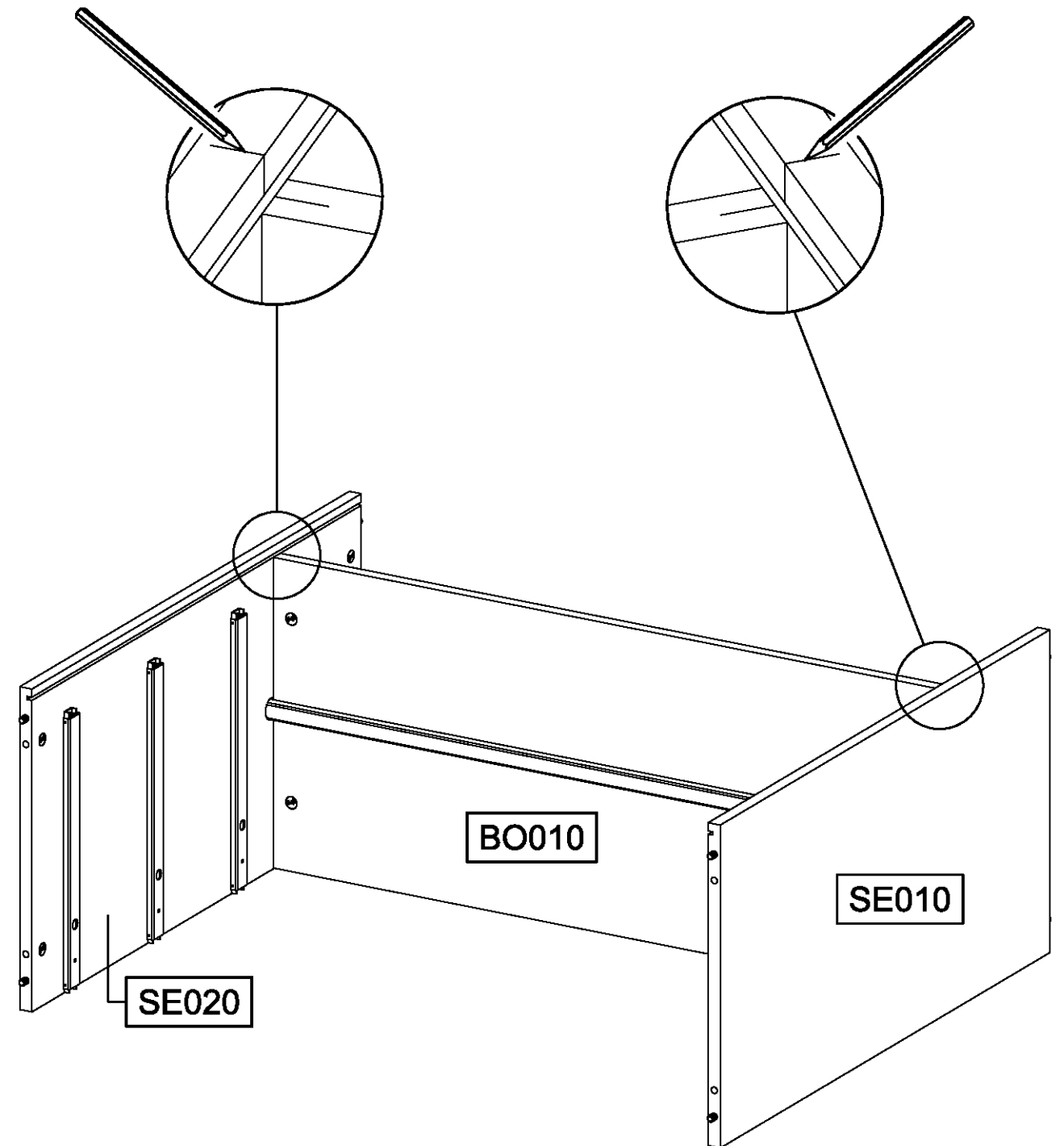
10



2.

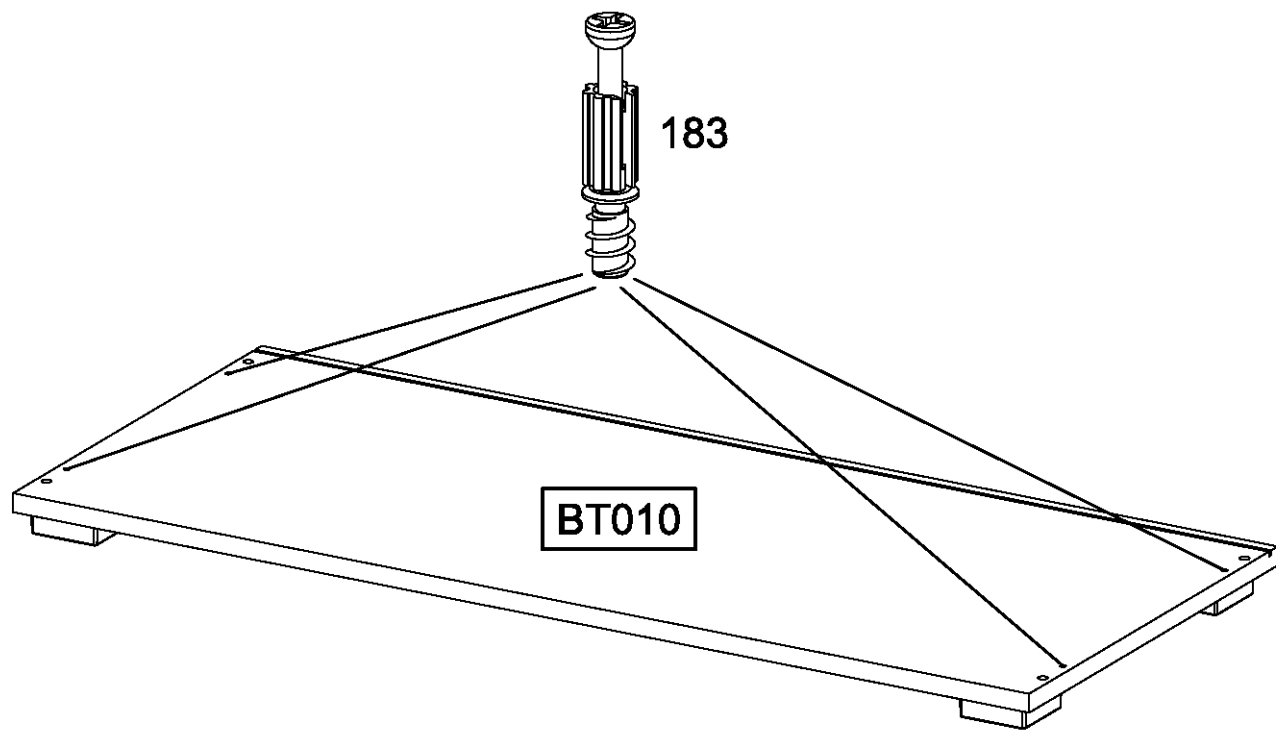
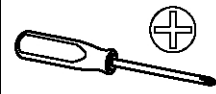


11



12

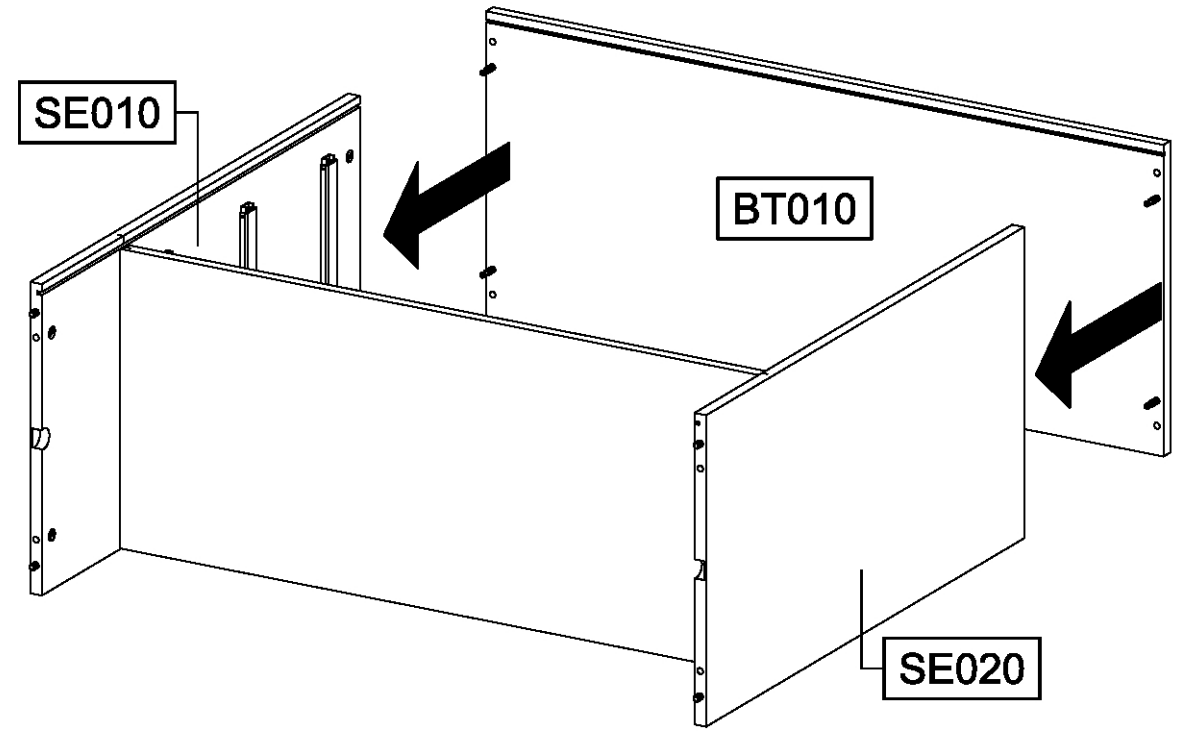
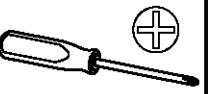
4x 183



BT010

183

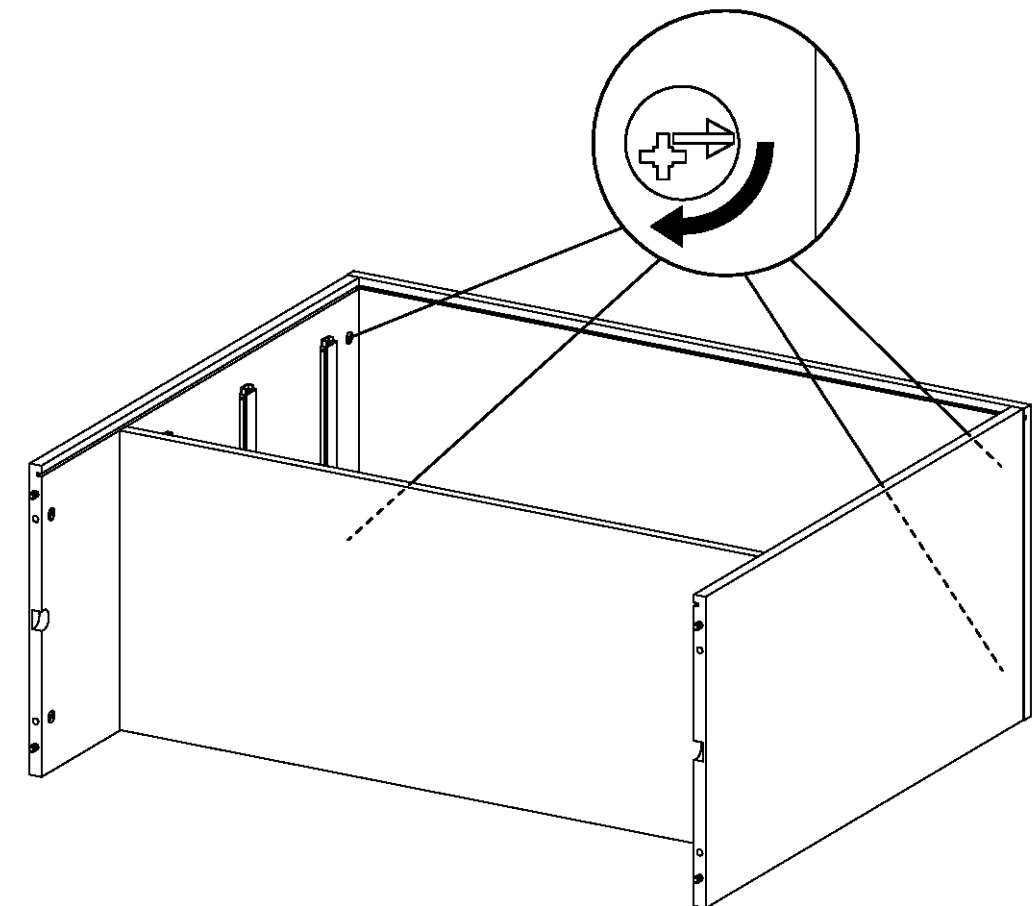
13

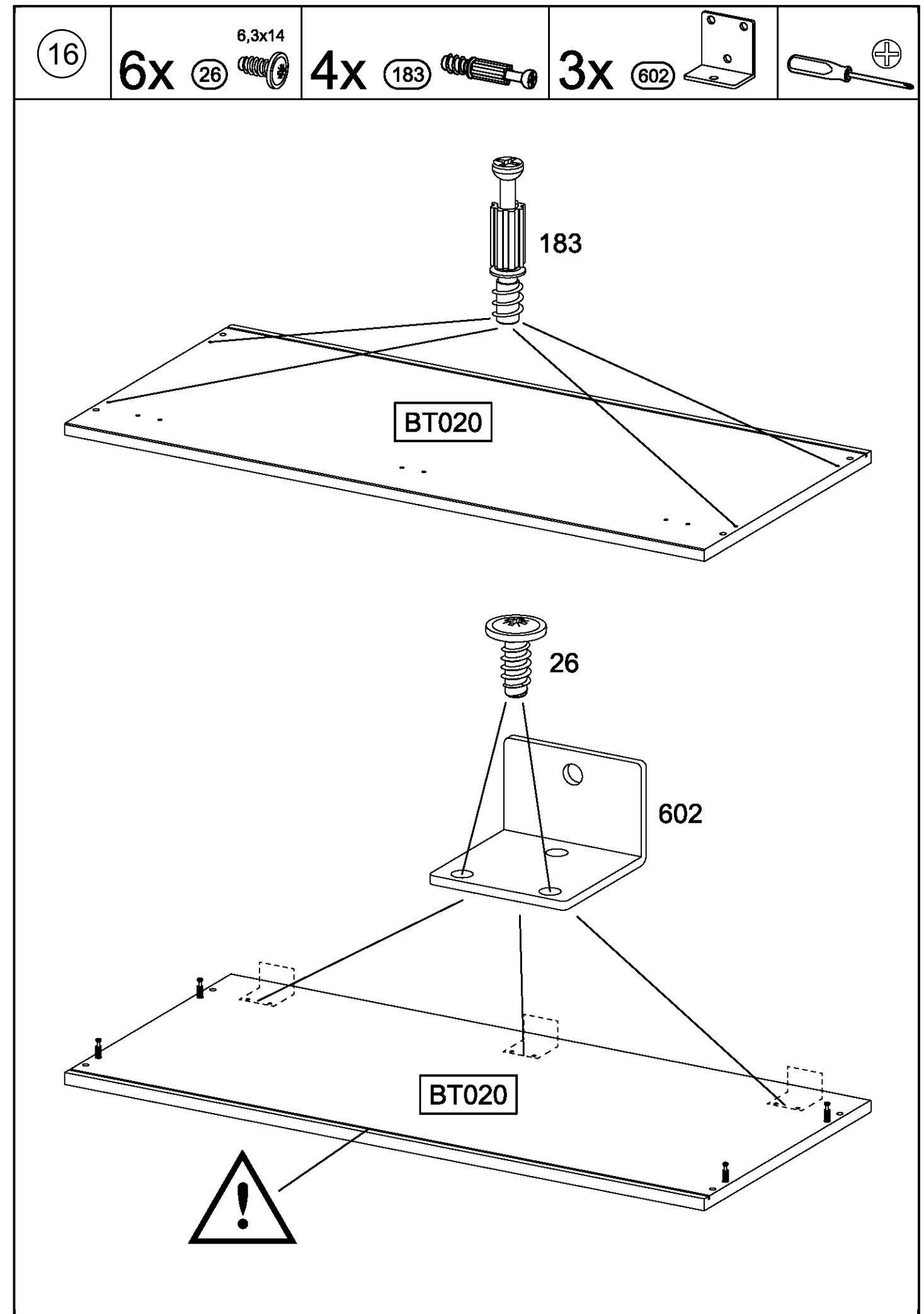
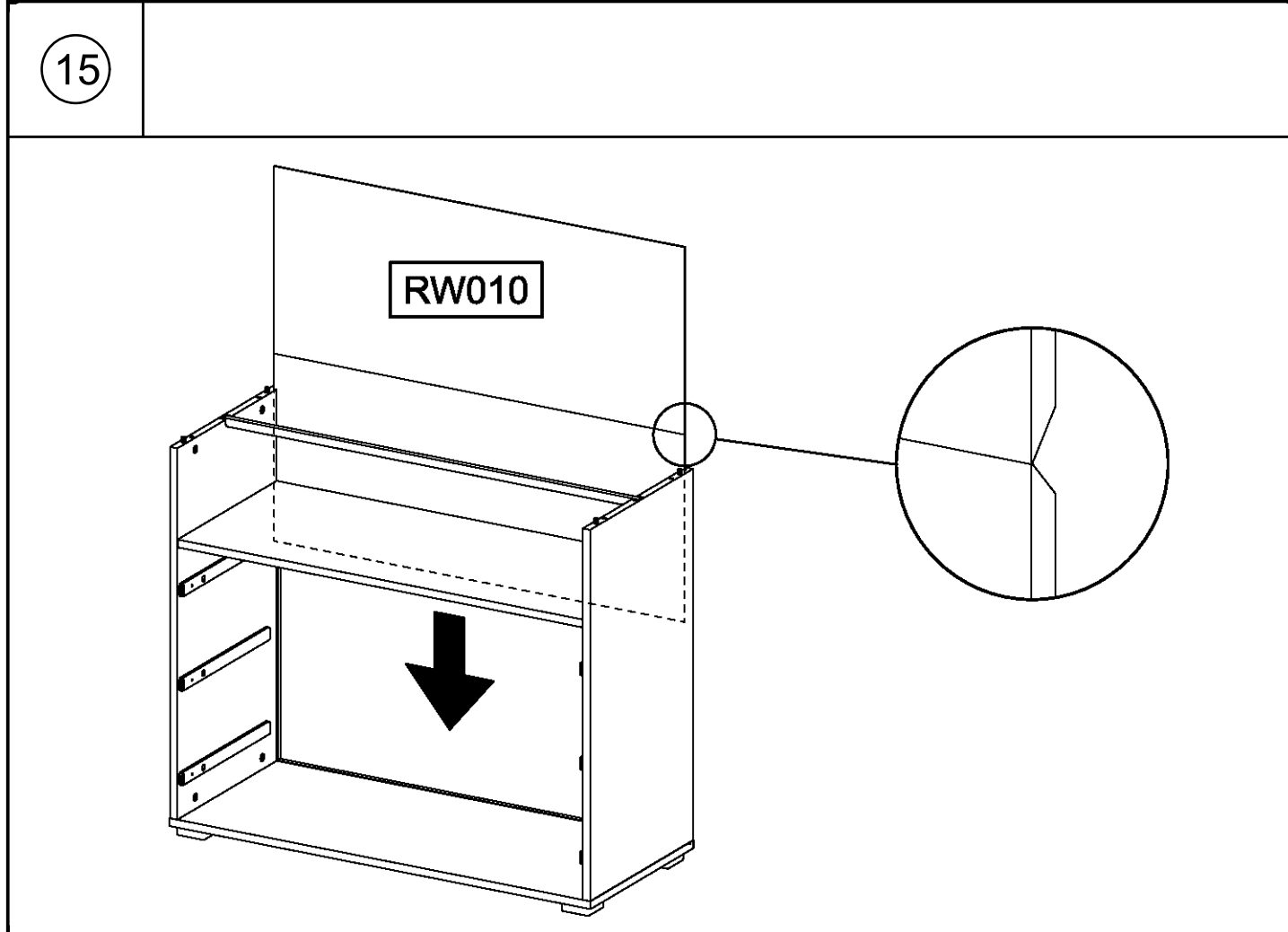
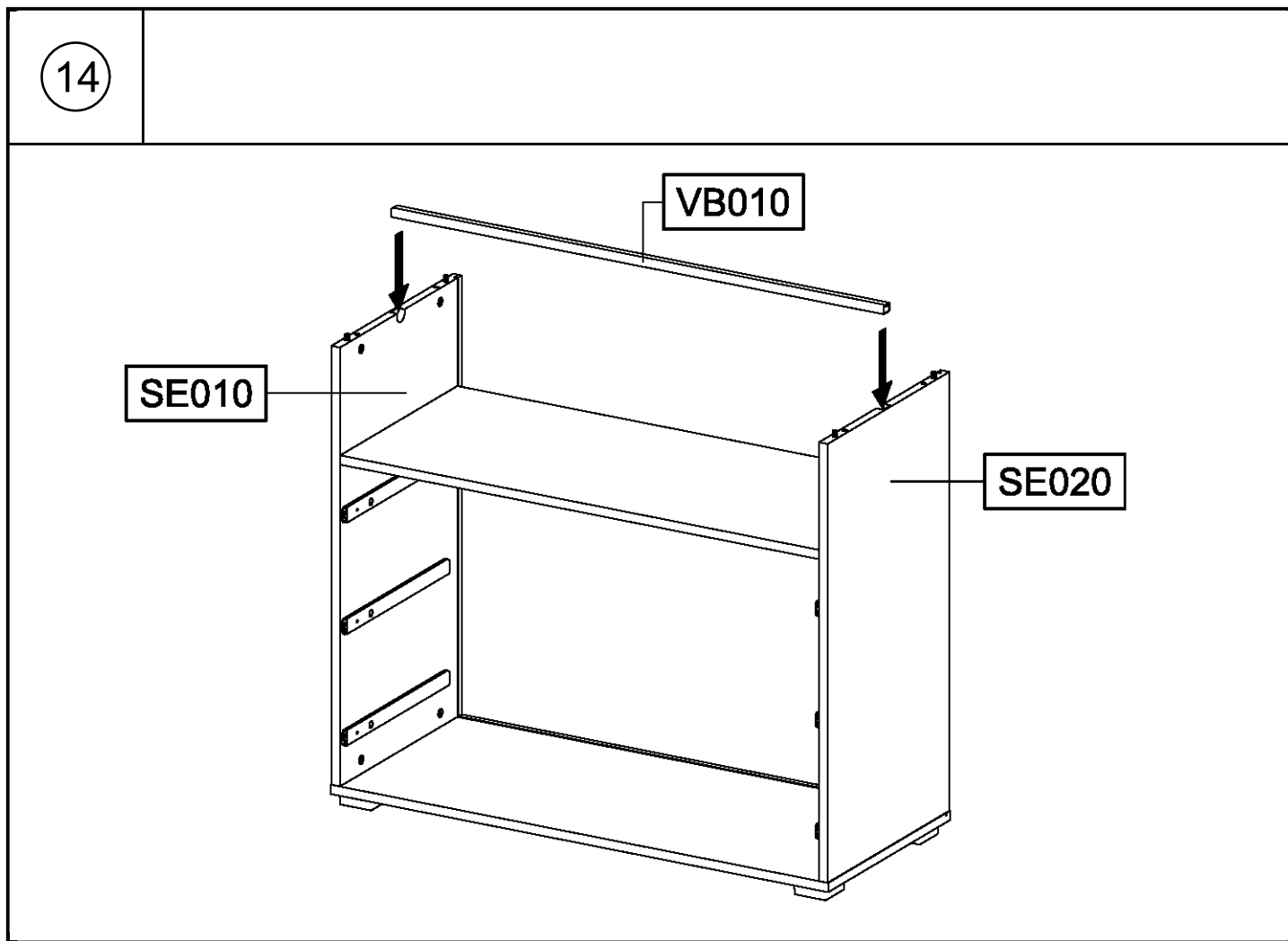


SE010

BT010

SE020



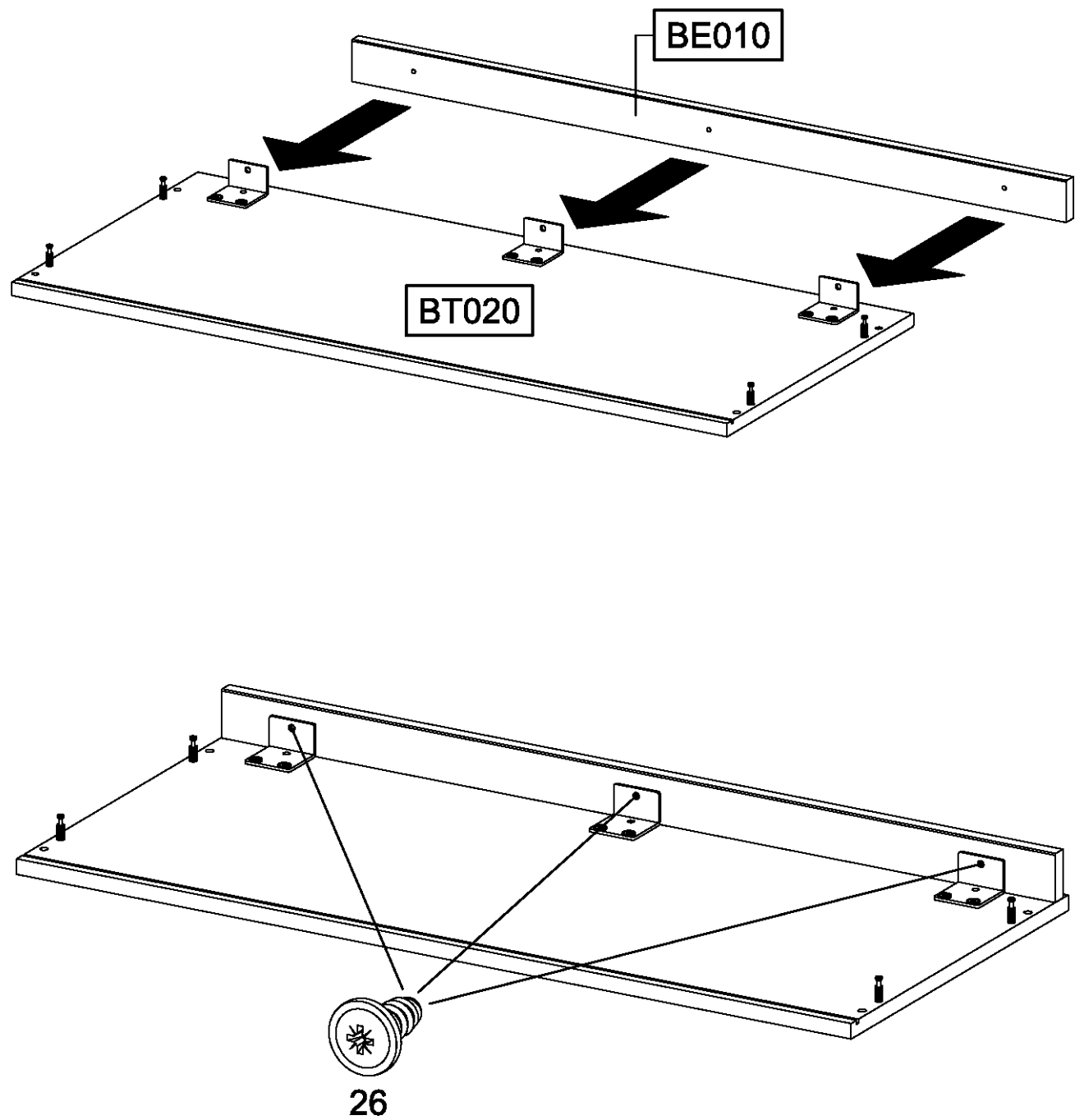
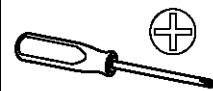


17

3x

26

6,3x14



18



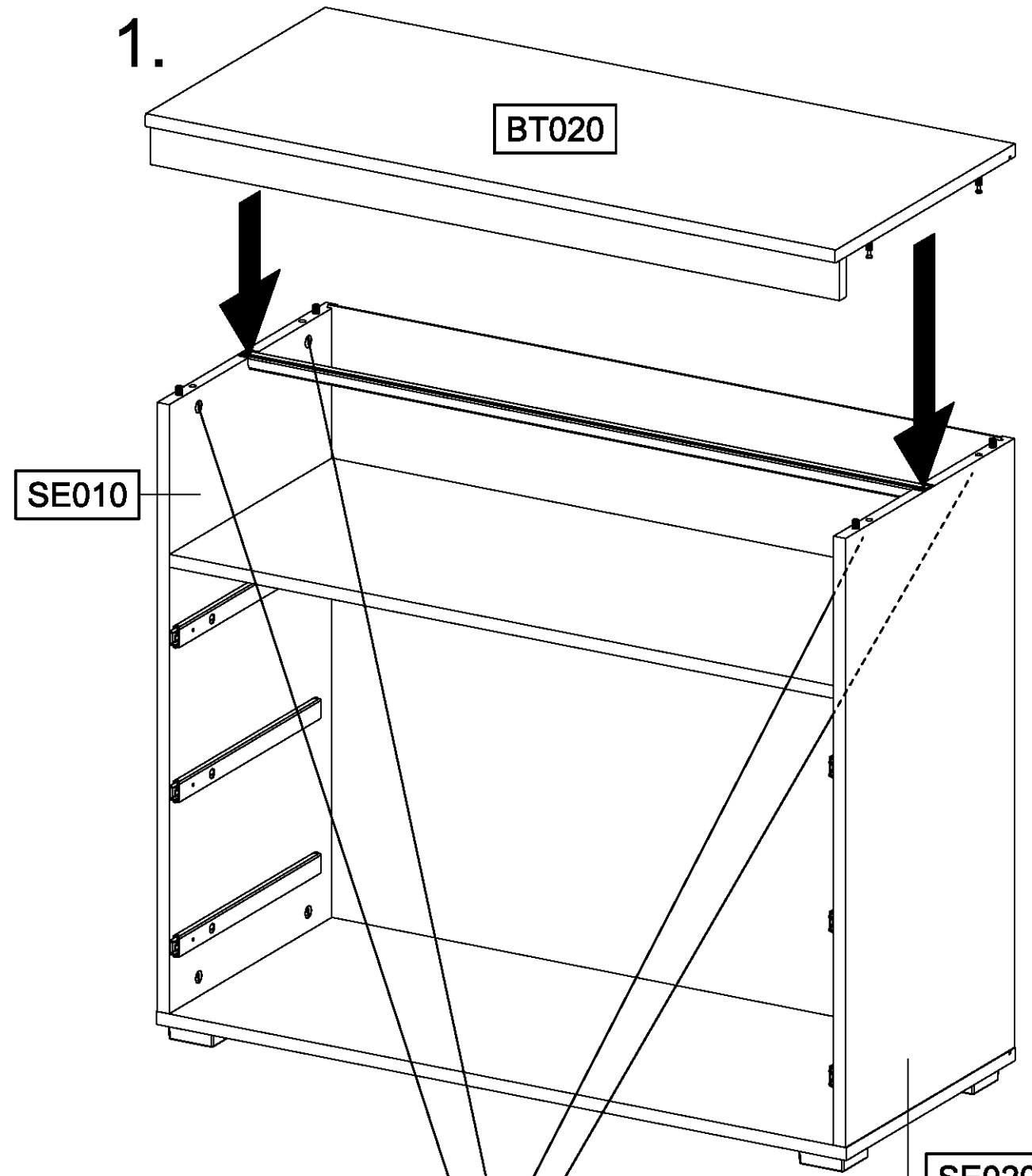
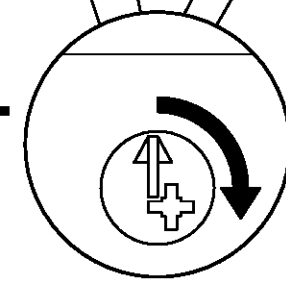
1.

SE010

BT020

SE020

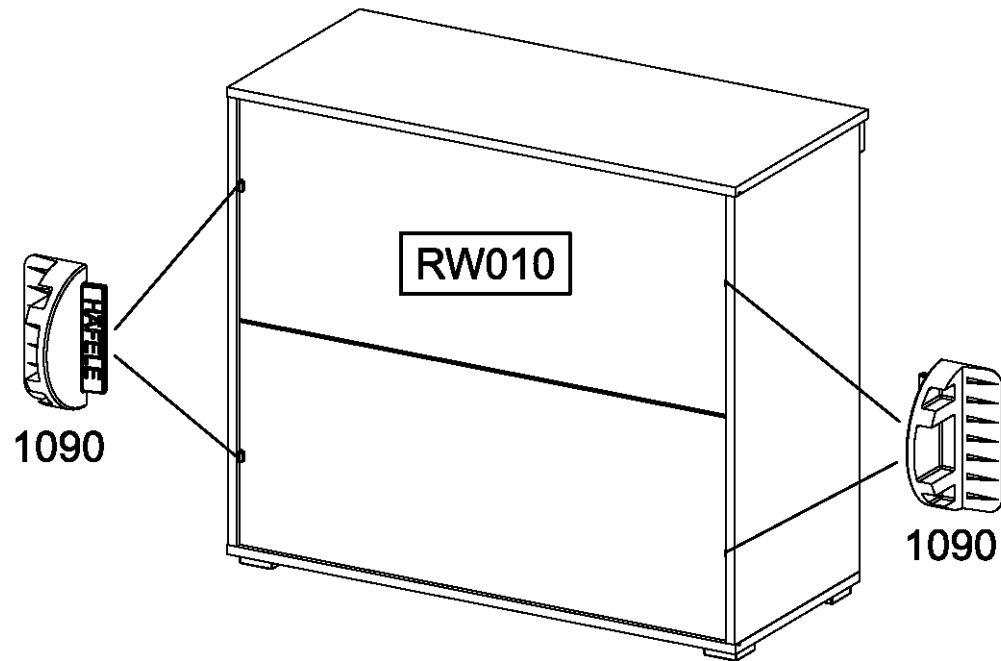
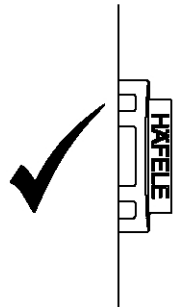
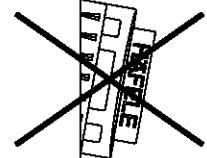
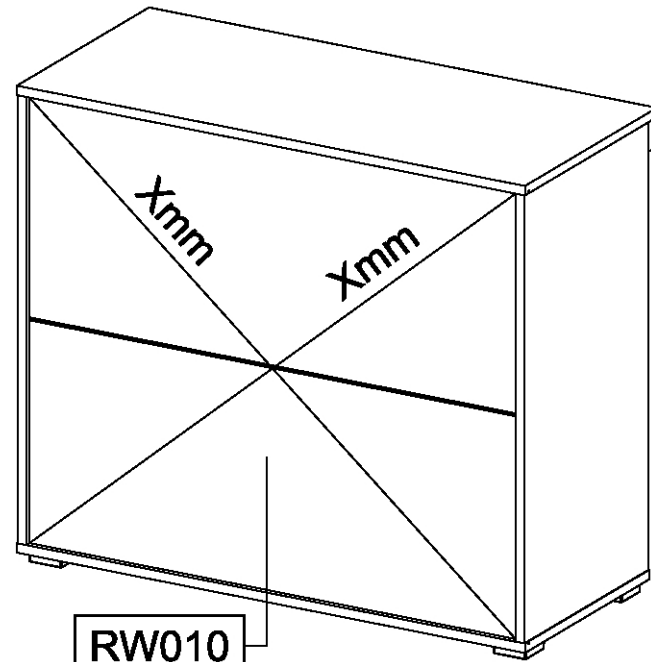
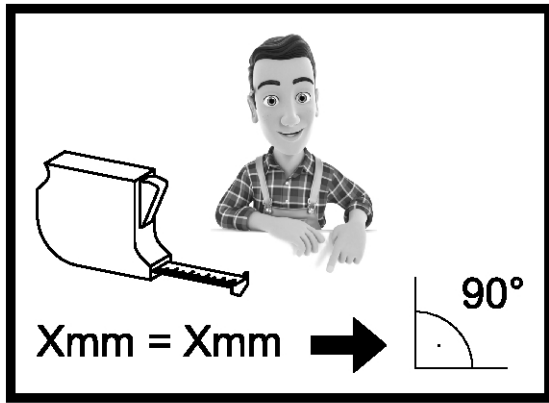
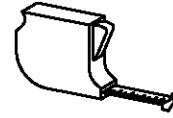
2.



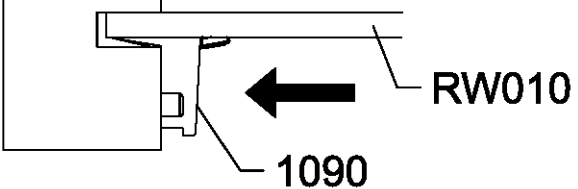
19

4x

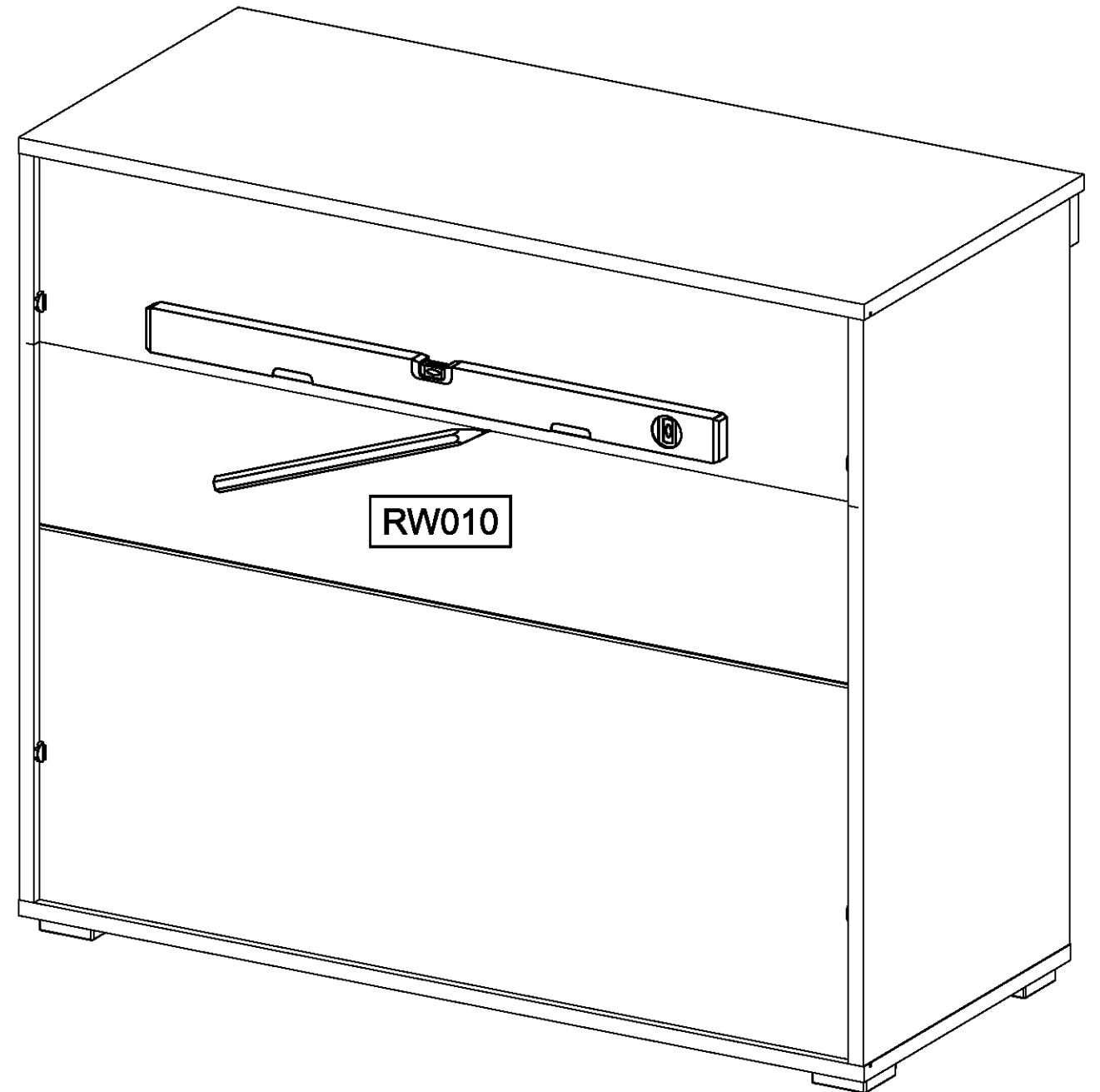
1090



SE010
SE020

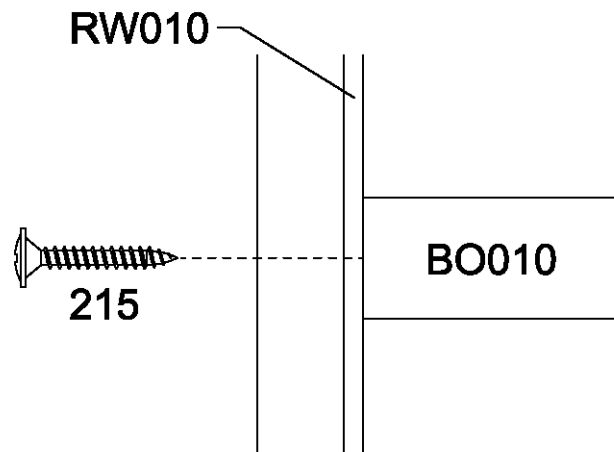
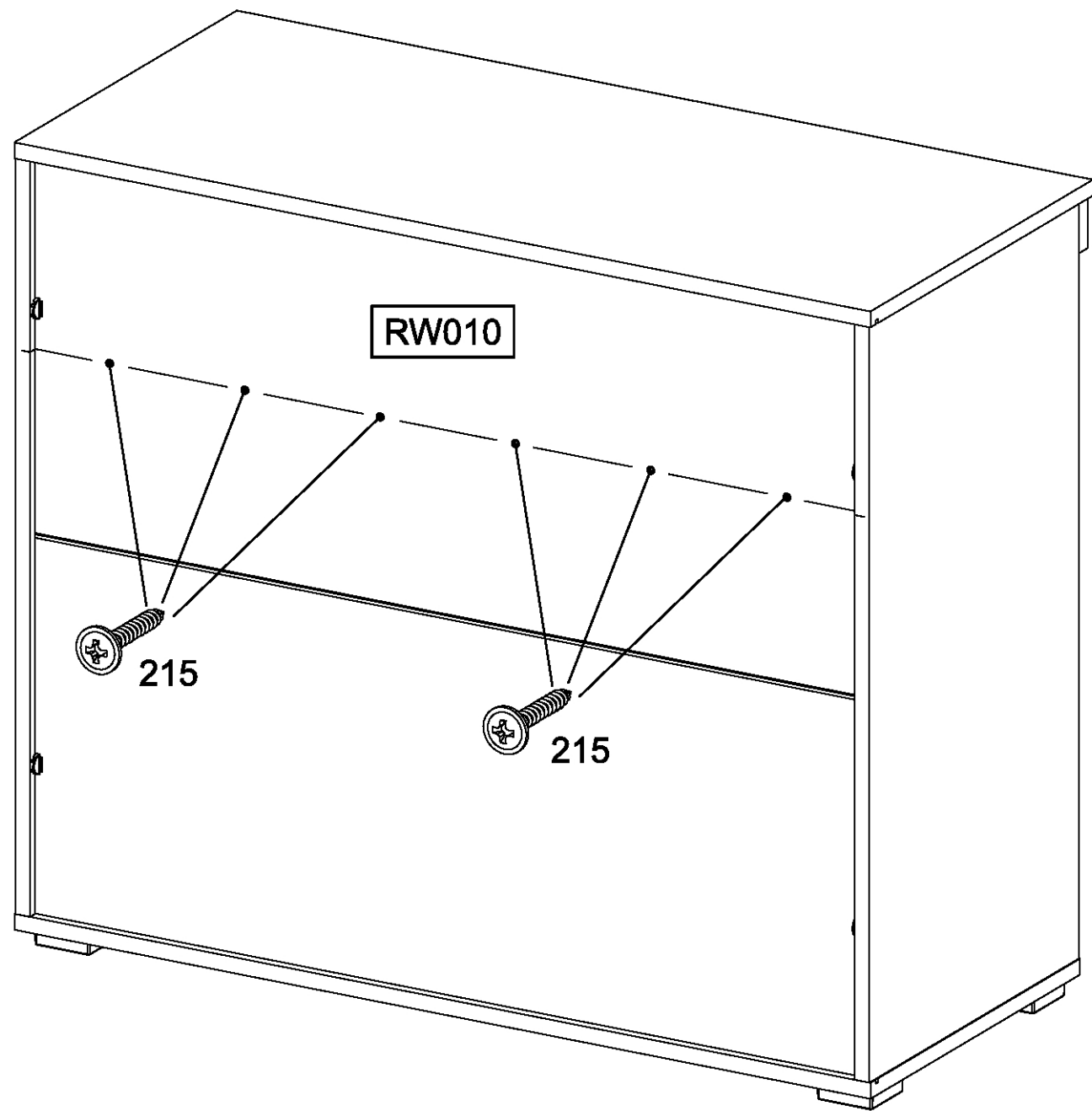
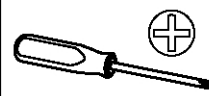


20



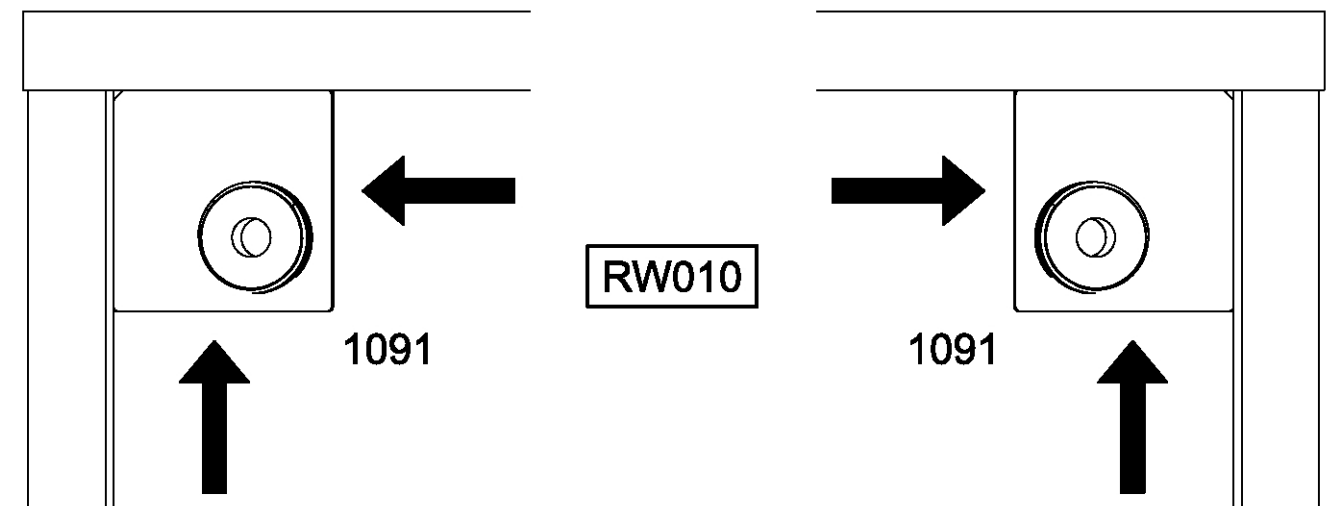
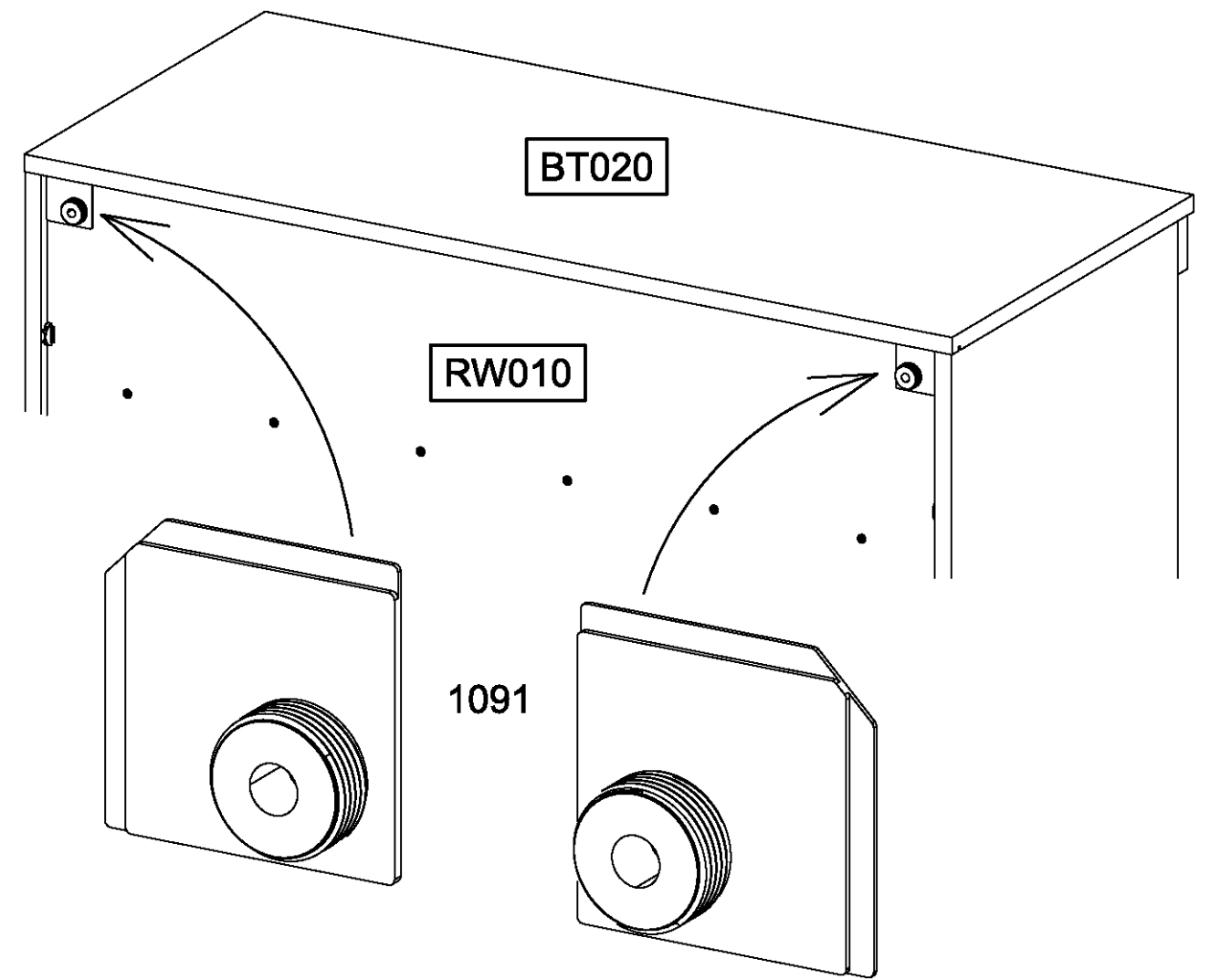
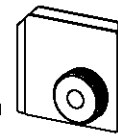
21

6x 215 3x20

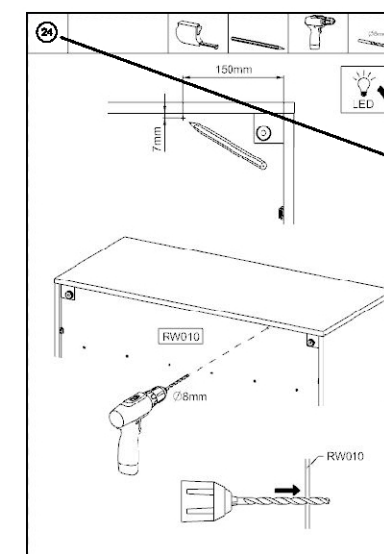
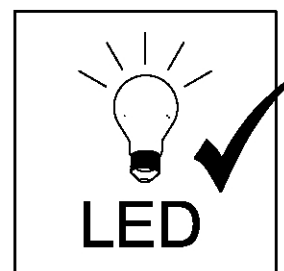
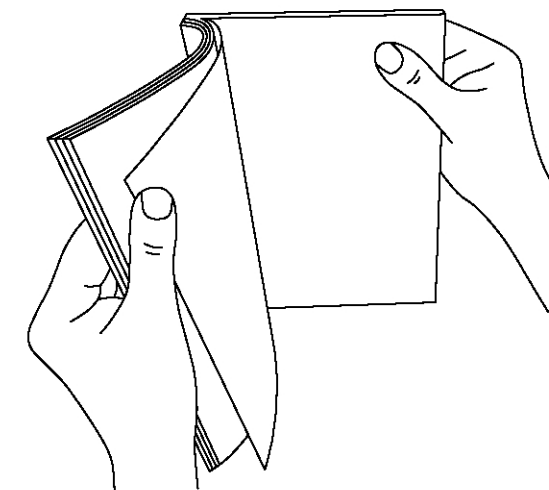
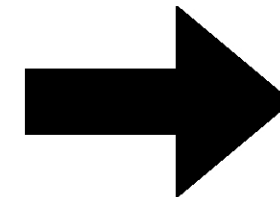
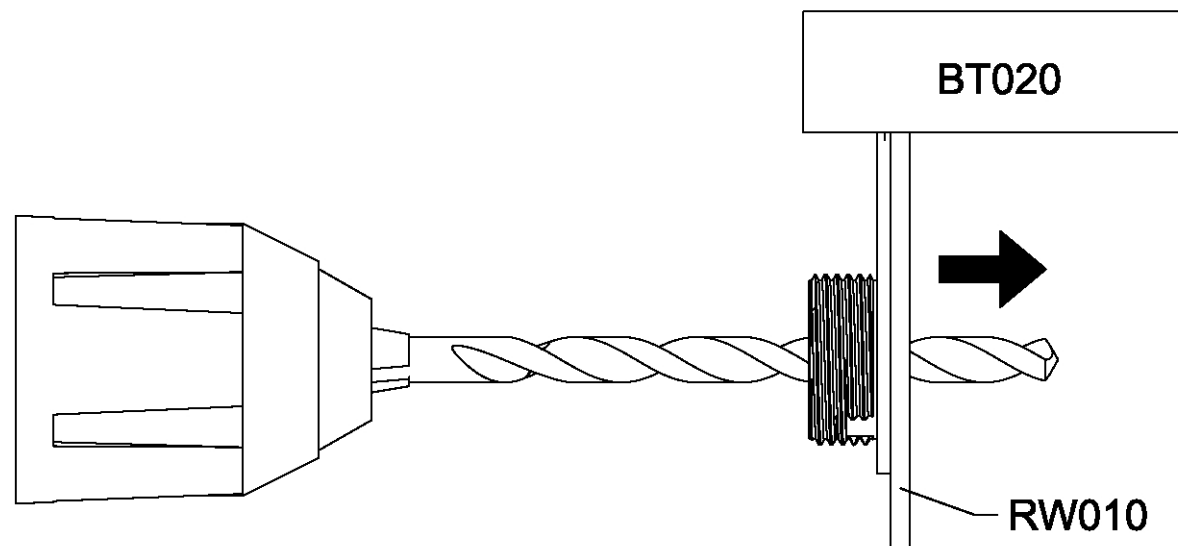
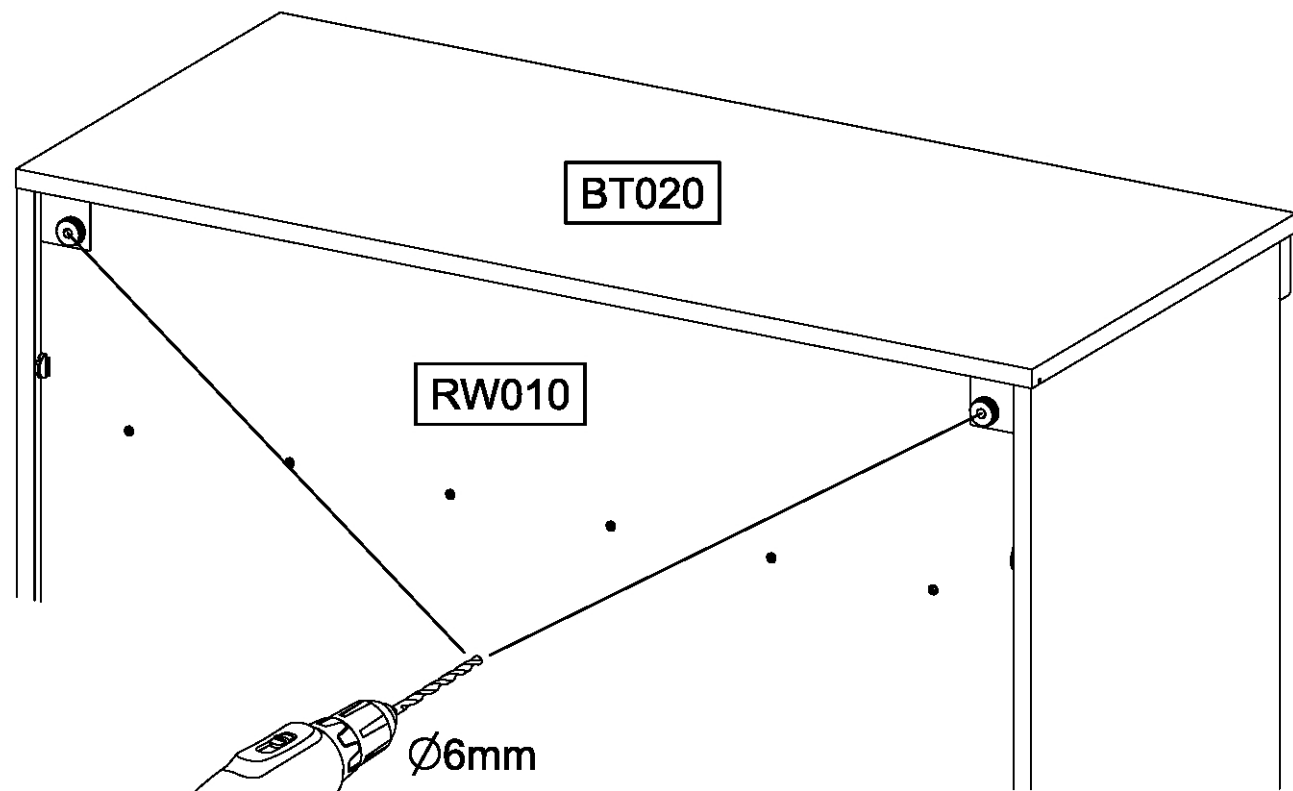
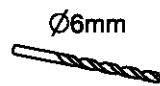


22

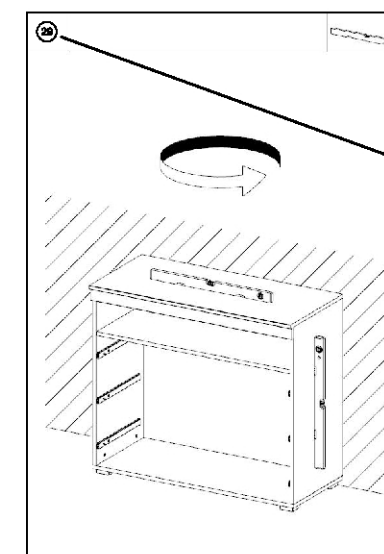
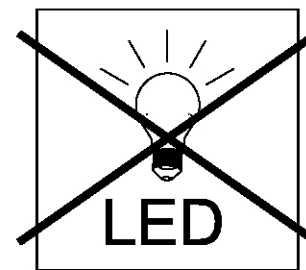
2x 1091



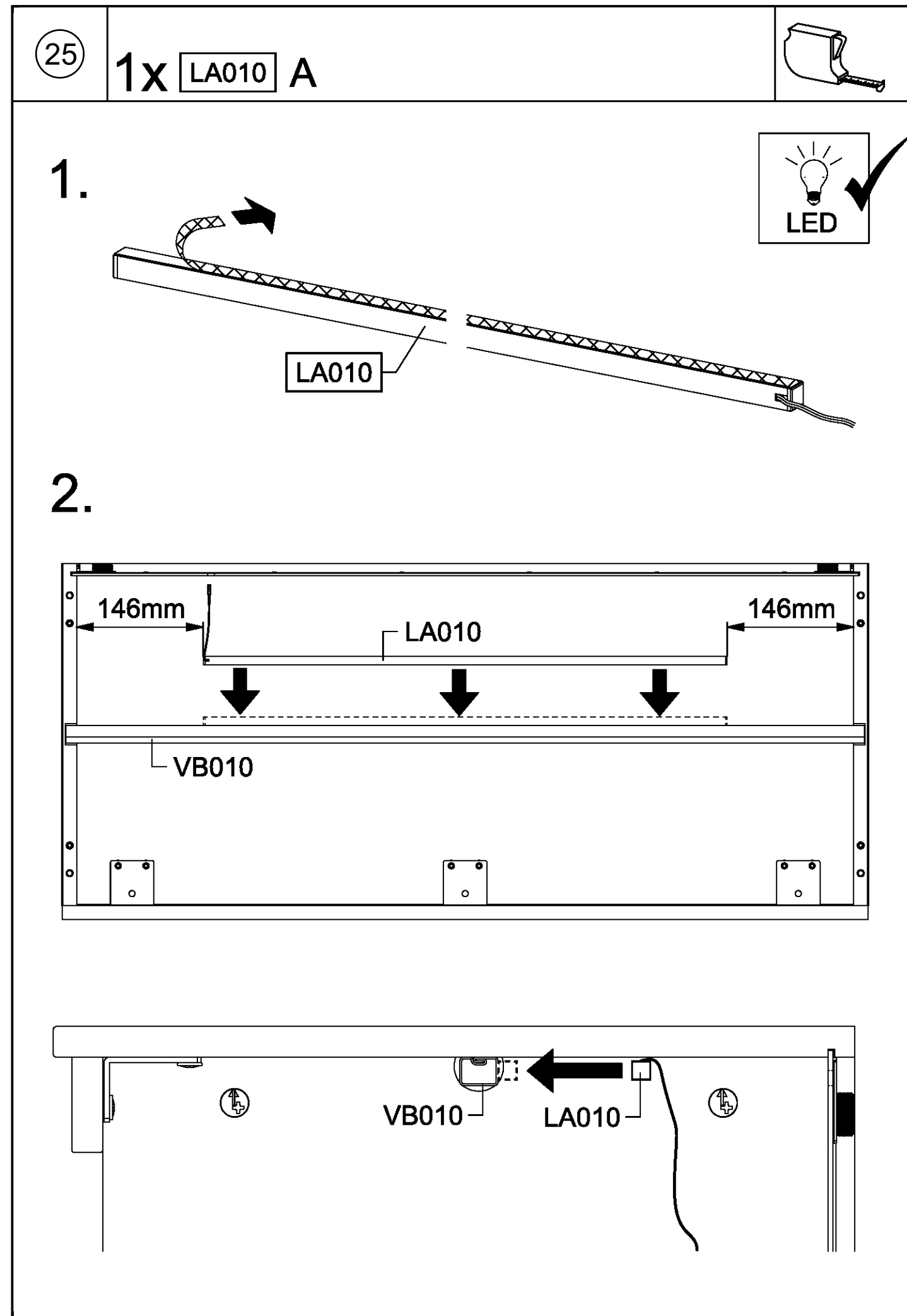
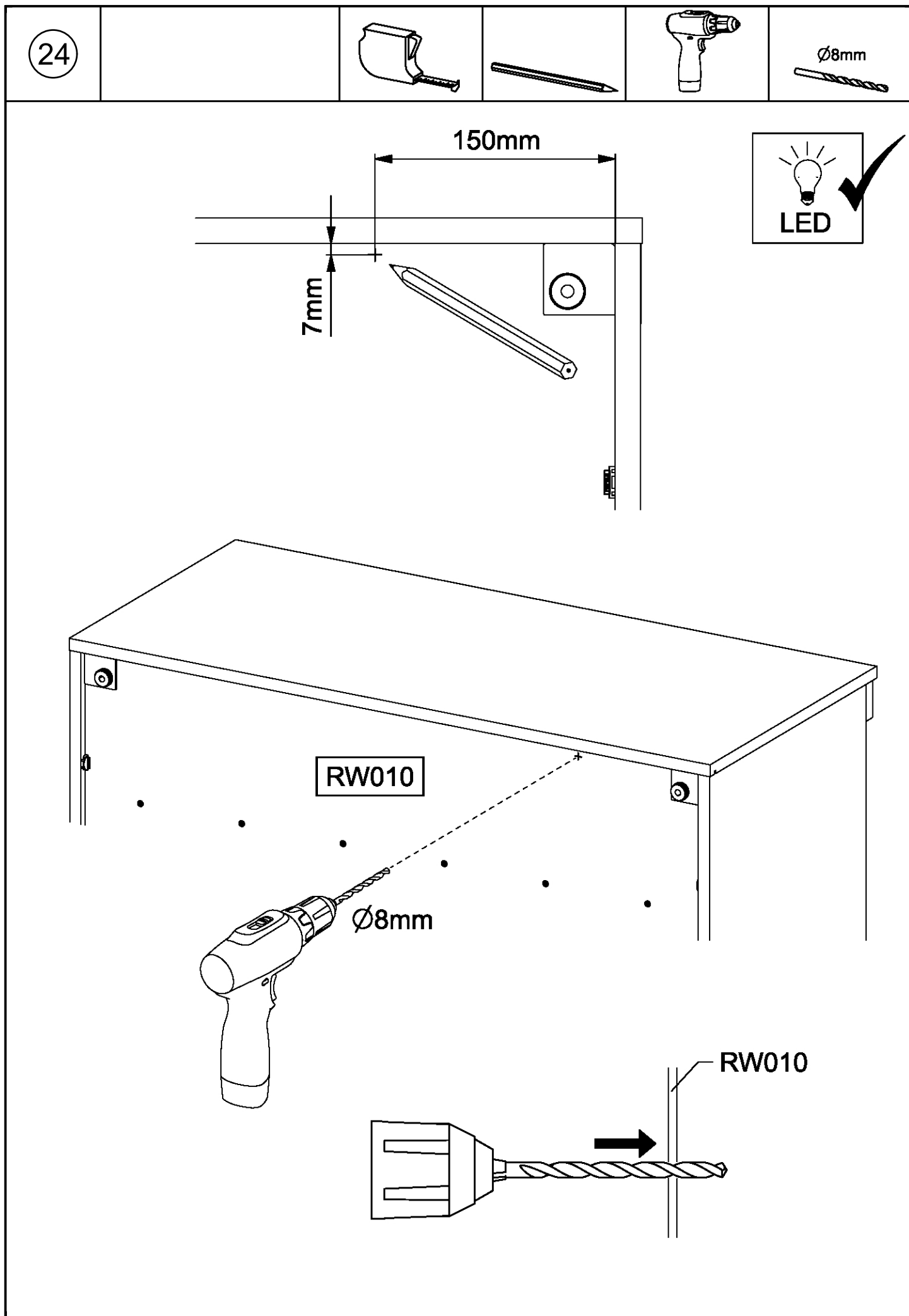
23



24

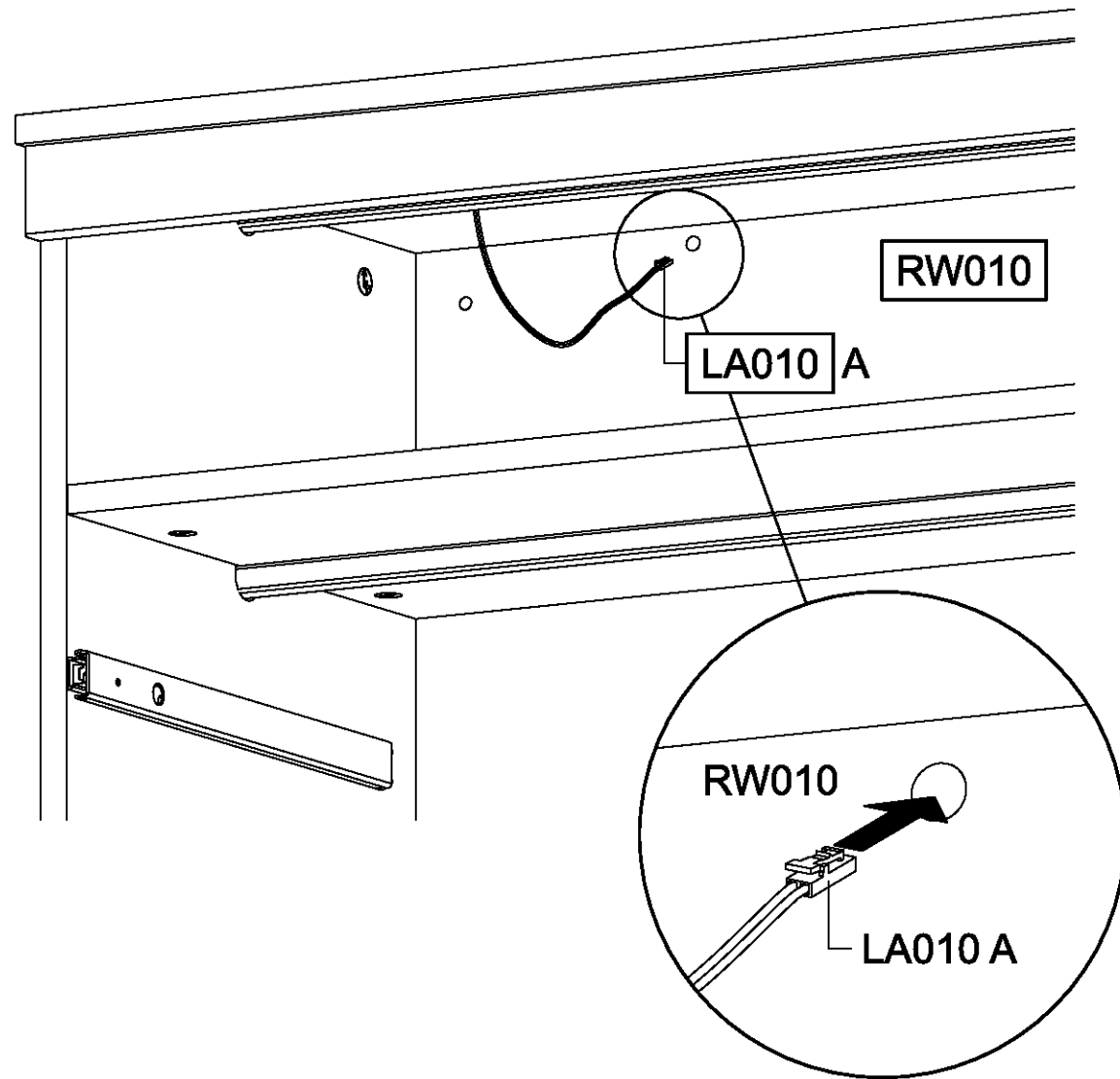
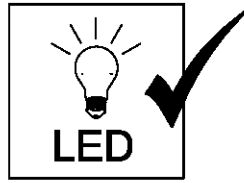


29



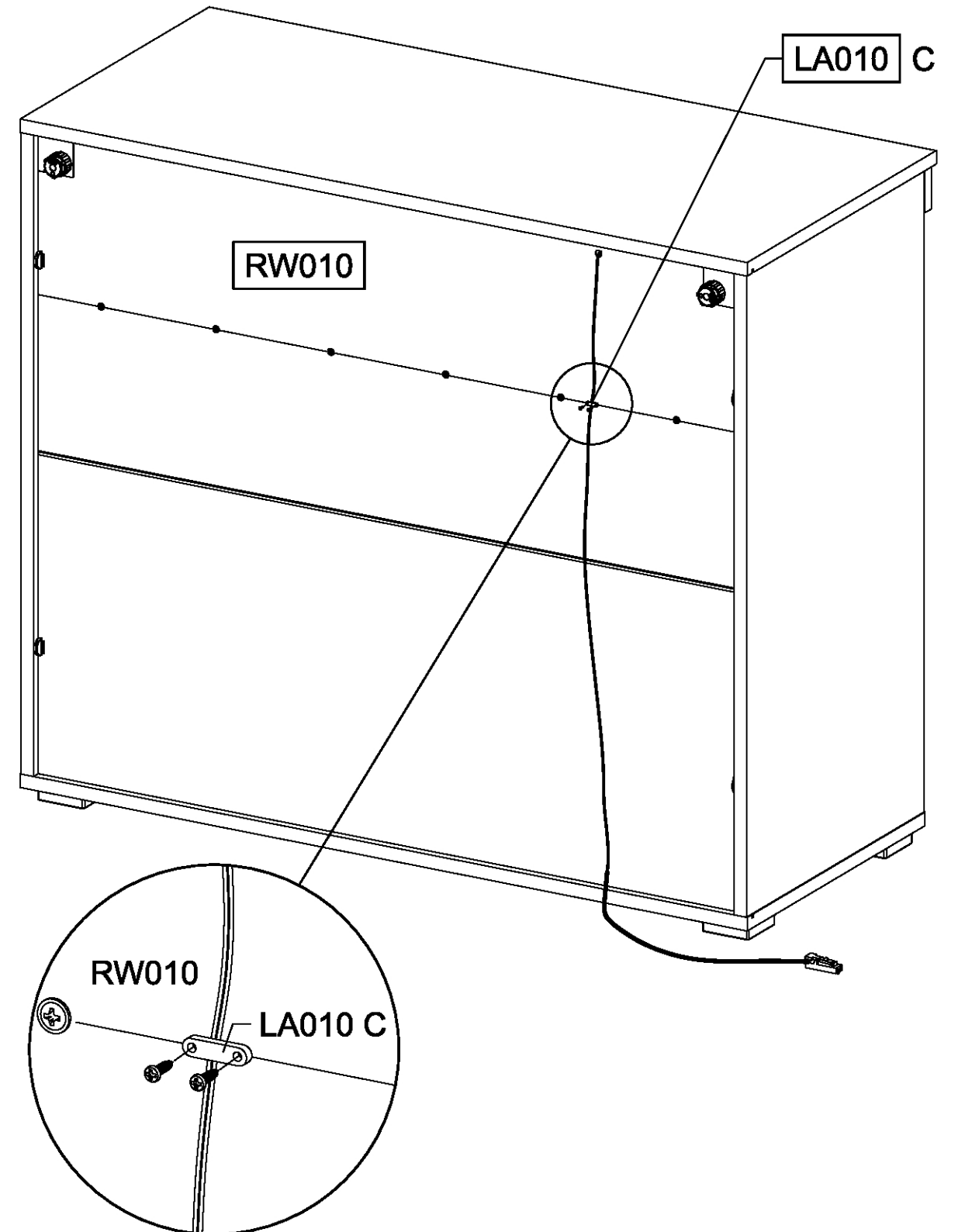
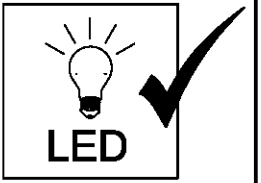
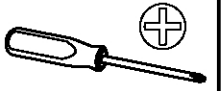
26

1x LA010 A



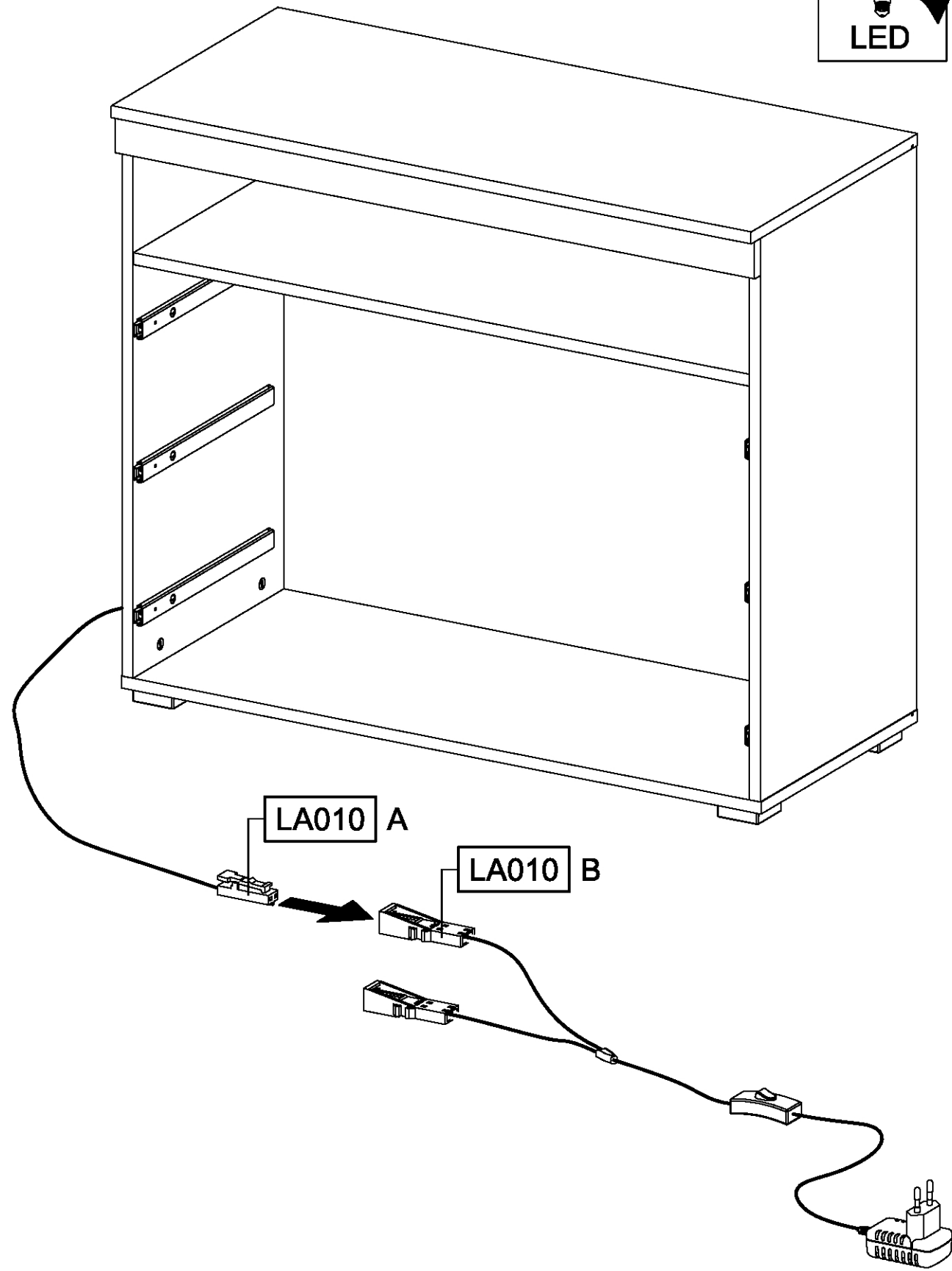
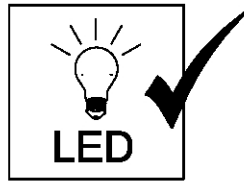
27

1x LA010 C

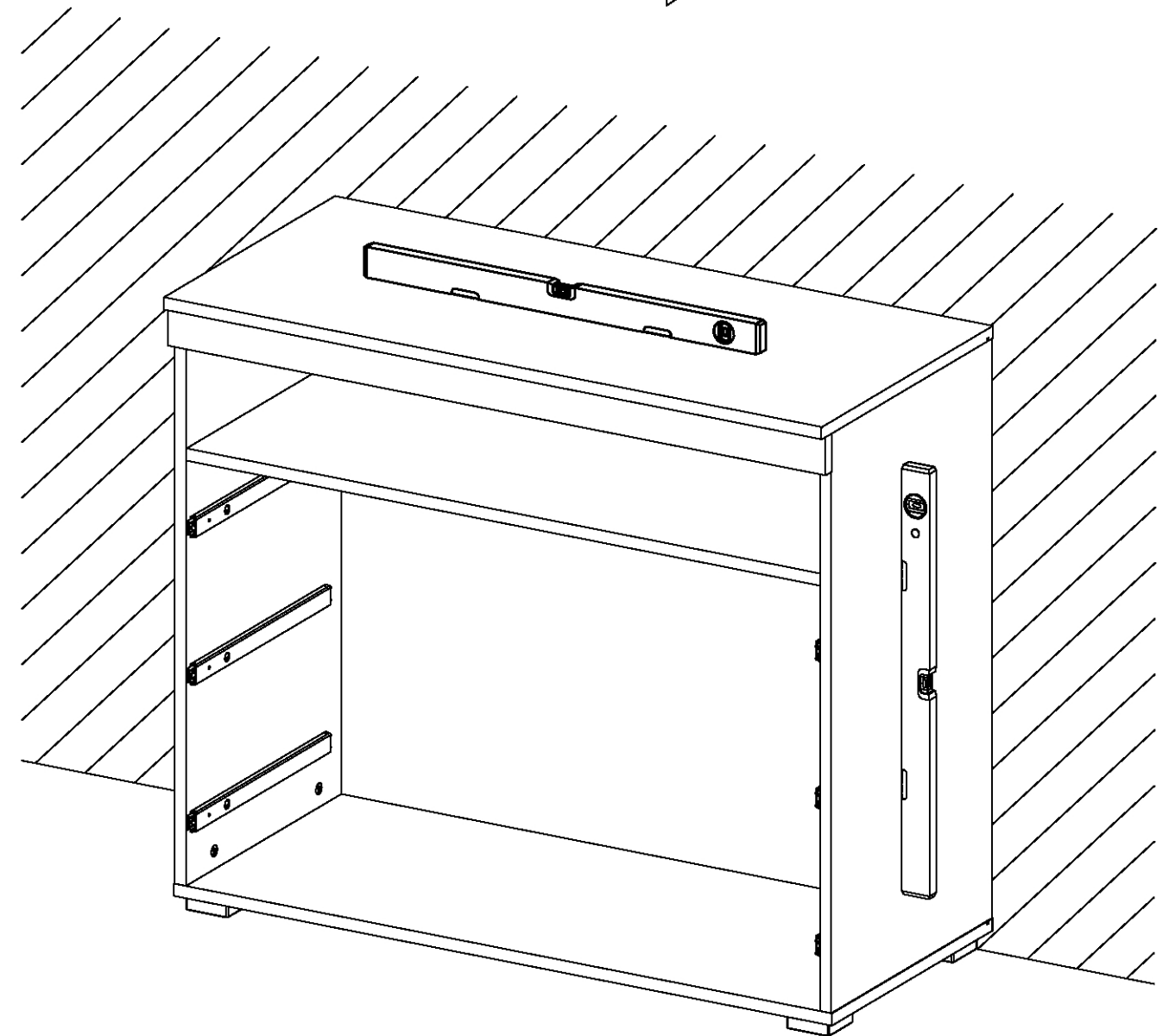
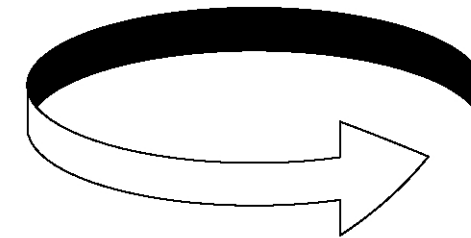


28

1x LA010 B



29



30

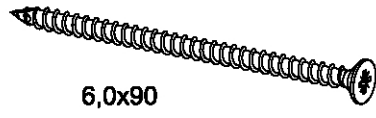
2x

1093

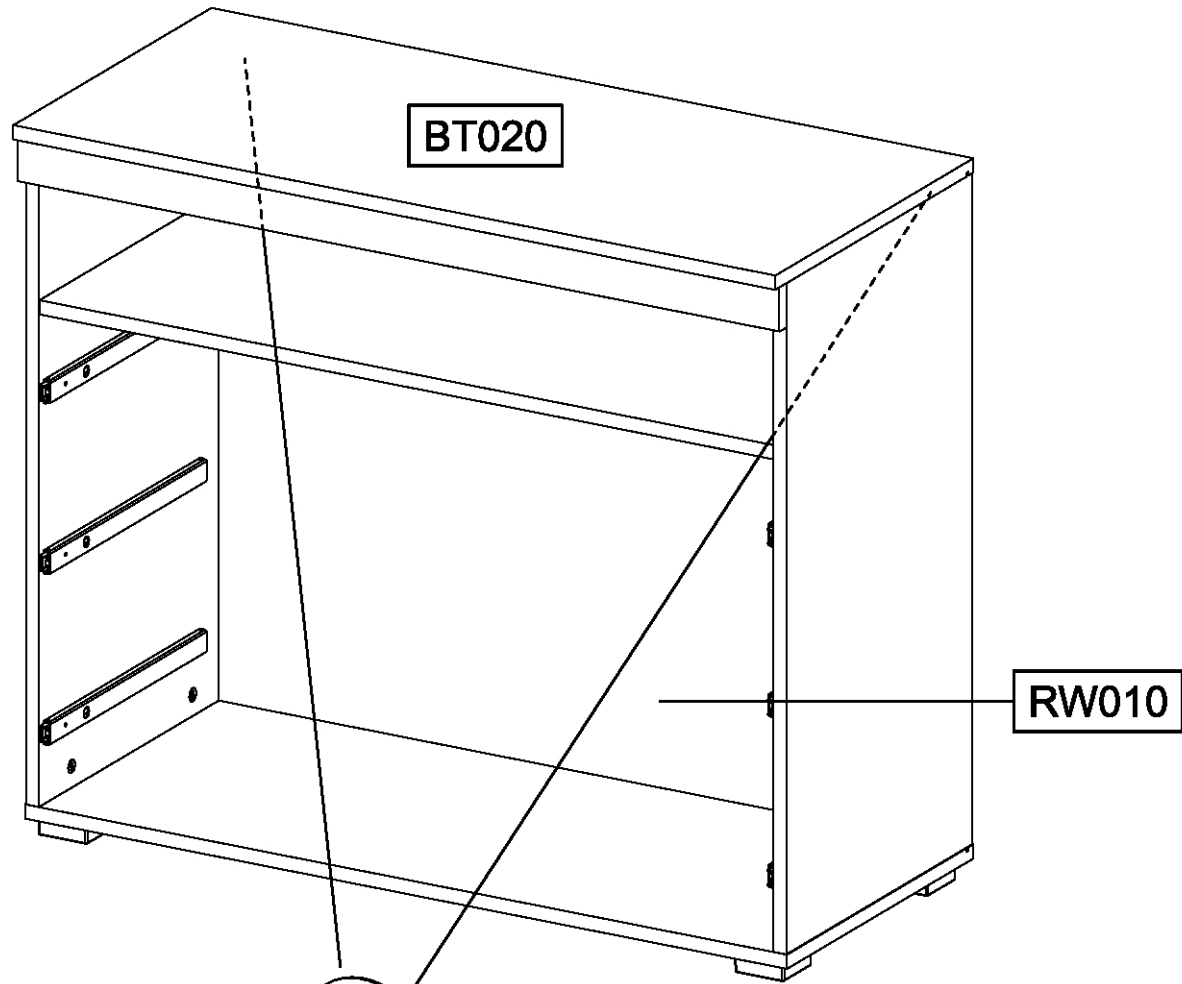
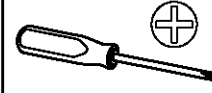


2x

1147



6,0x90



1147

1093

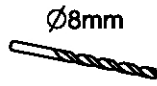
BT020

RW010

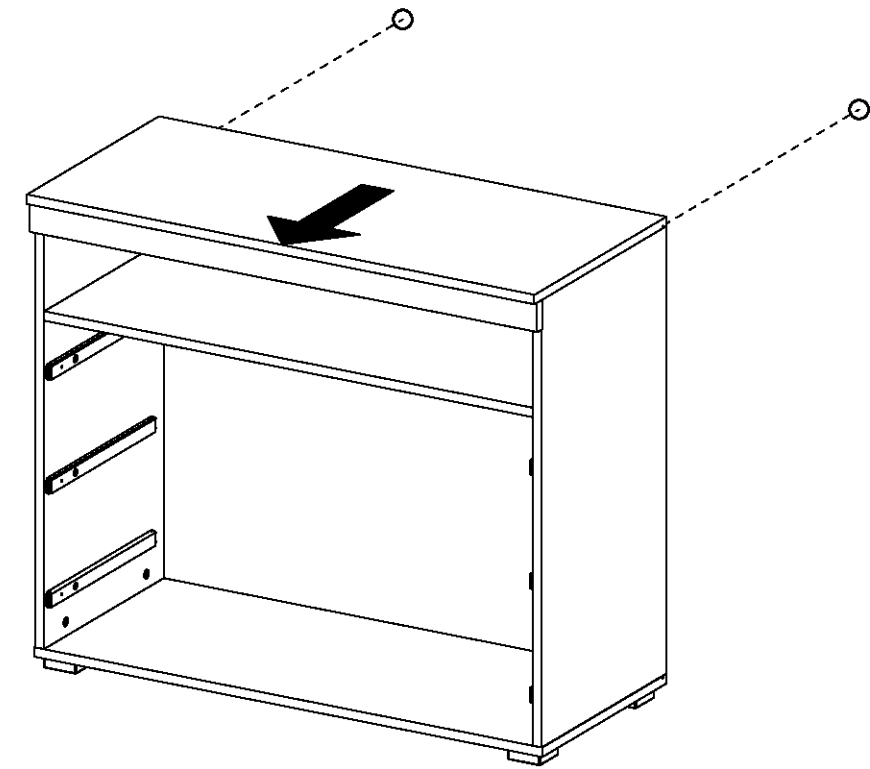
1147

1093

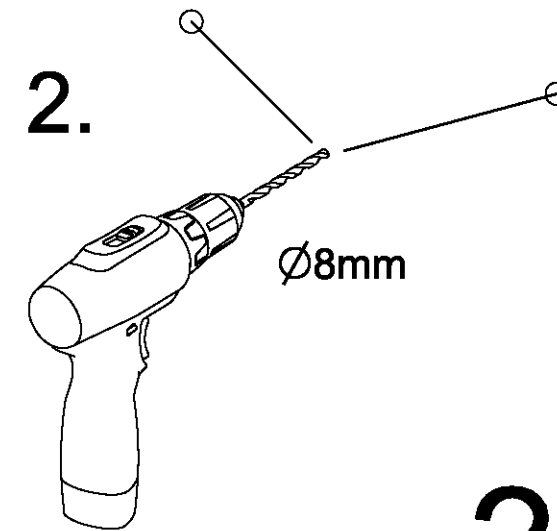
31



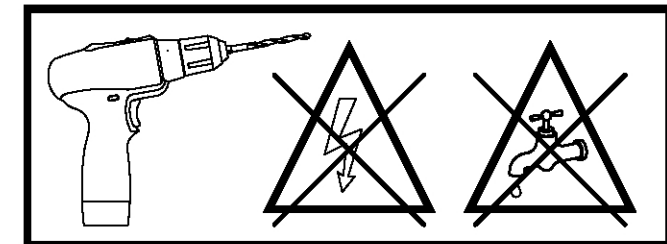
1.



2.

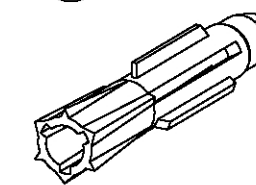
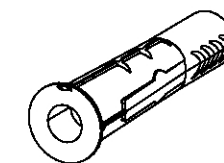


Ø8mm



?

3.

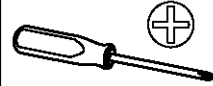
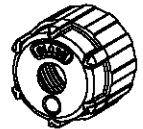


Ø8mm

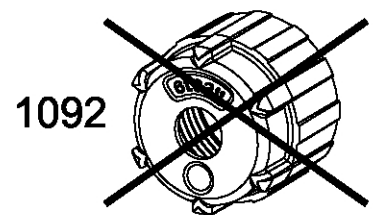
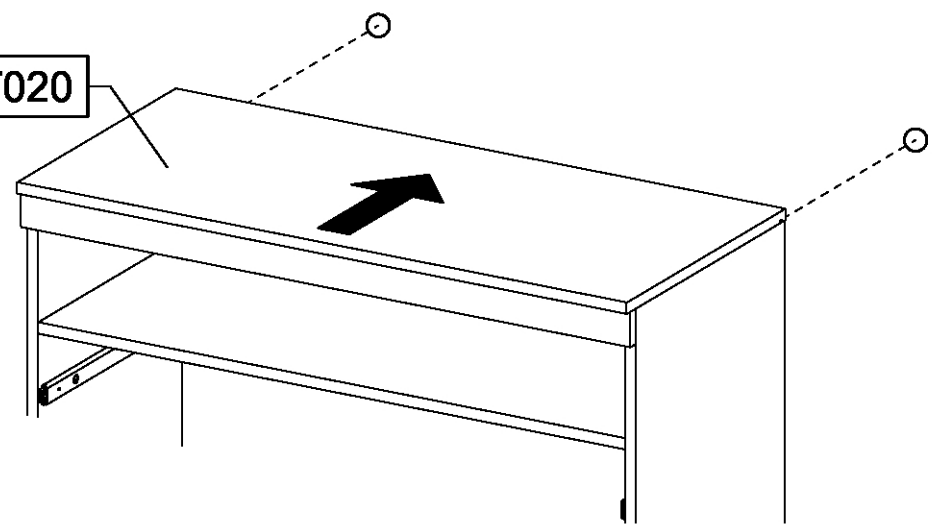
32

2x

1092



BT020



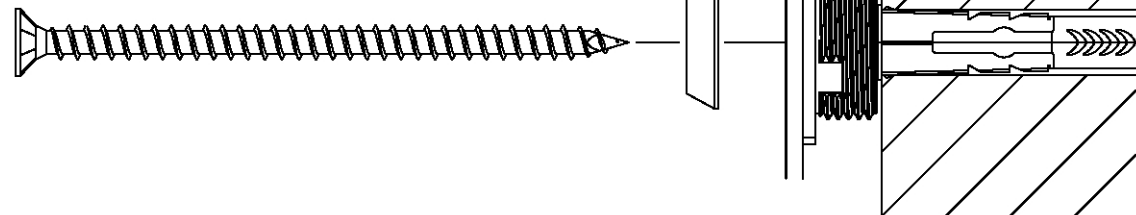
1092



BT020

1093

1147



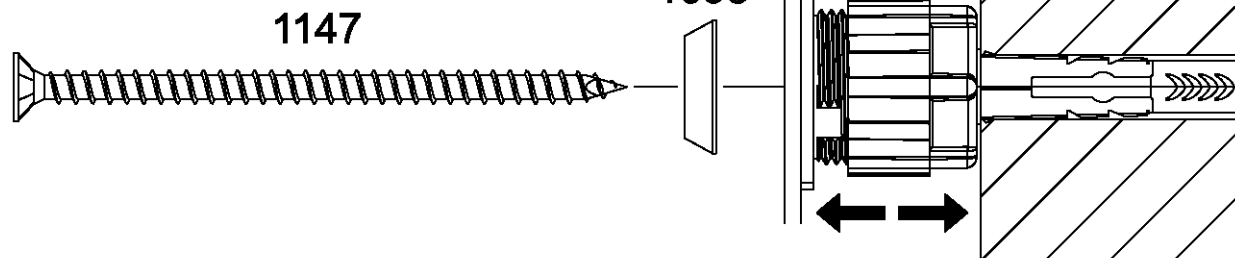
BT020

10-15mm

1093

1092

1147

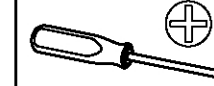


33

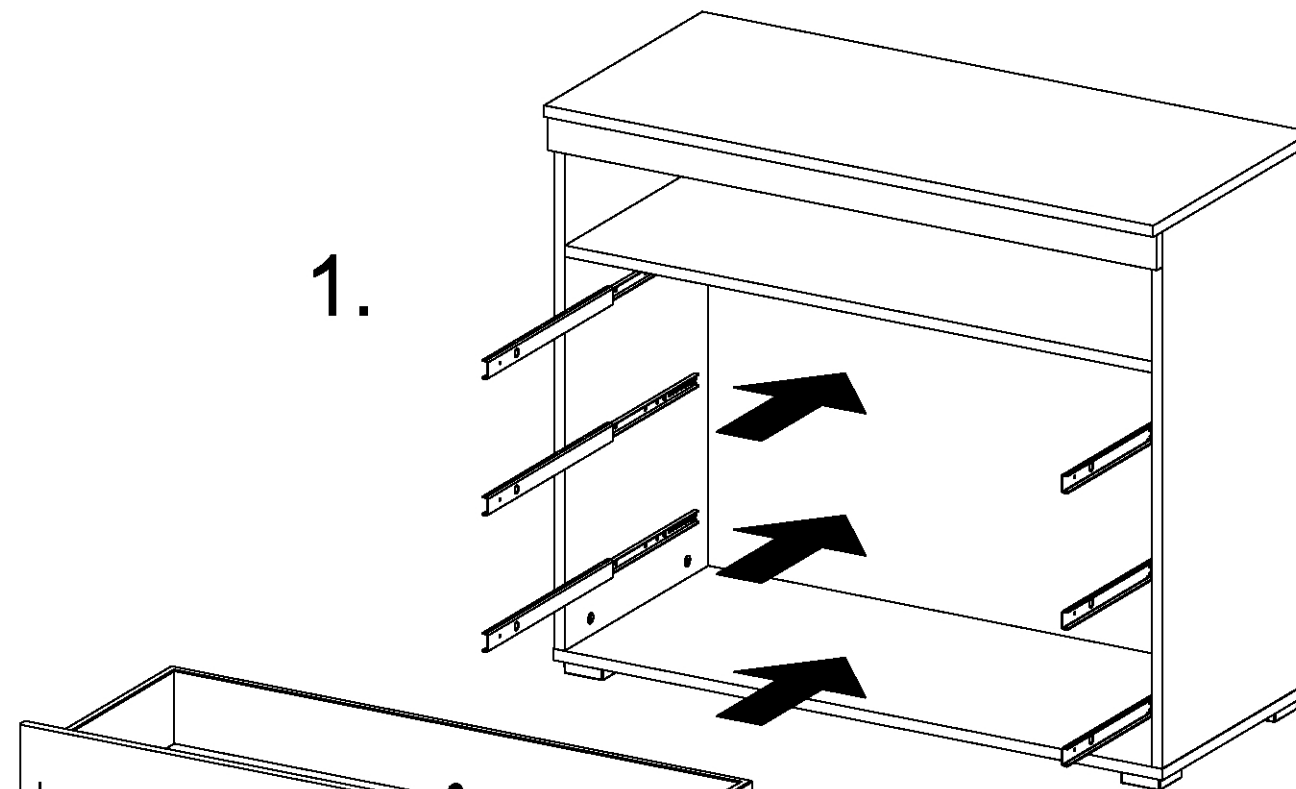
6x

568

M4x9



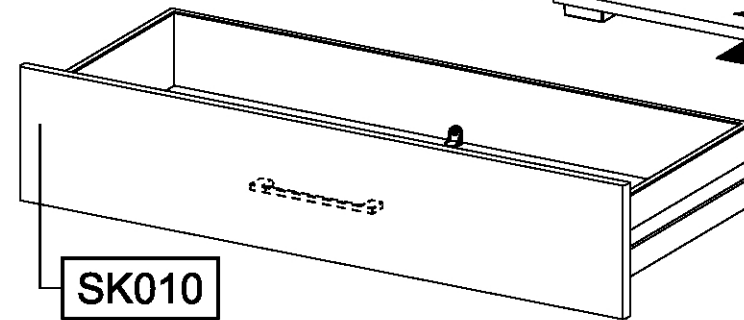
1.



SK010

SK020

SK030



2.

568

568

SK010

SK020

SK030

