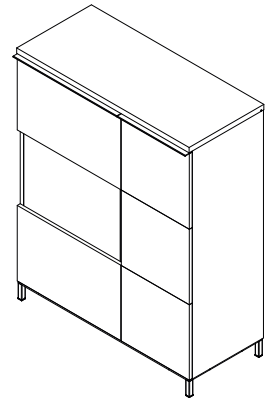
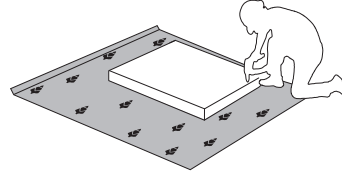
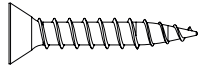
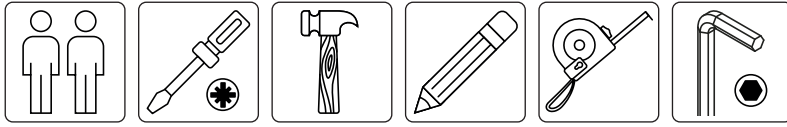


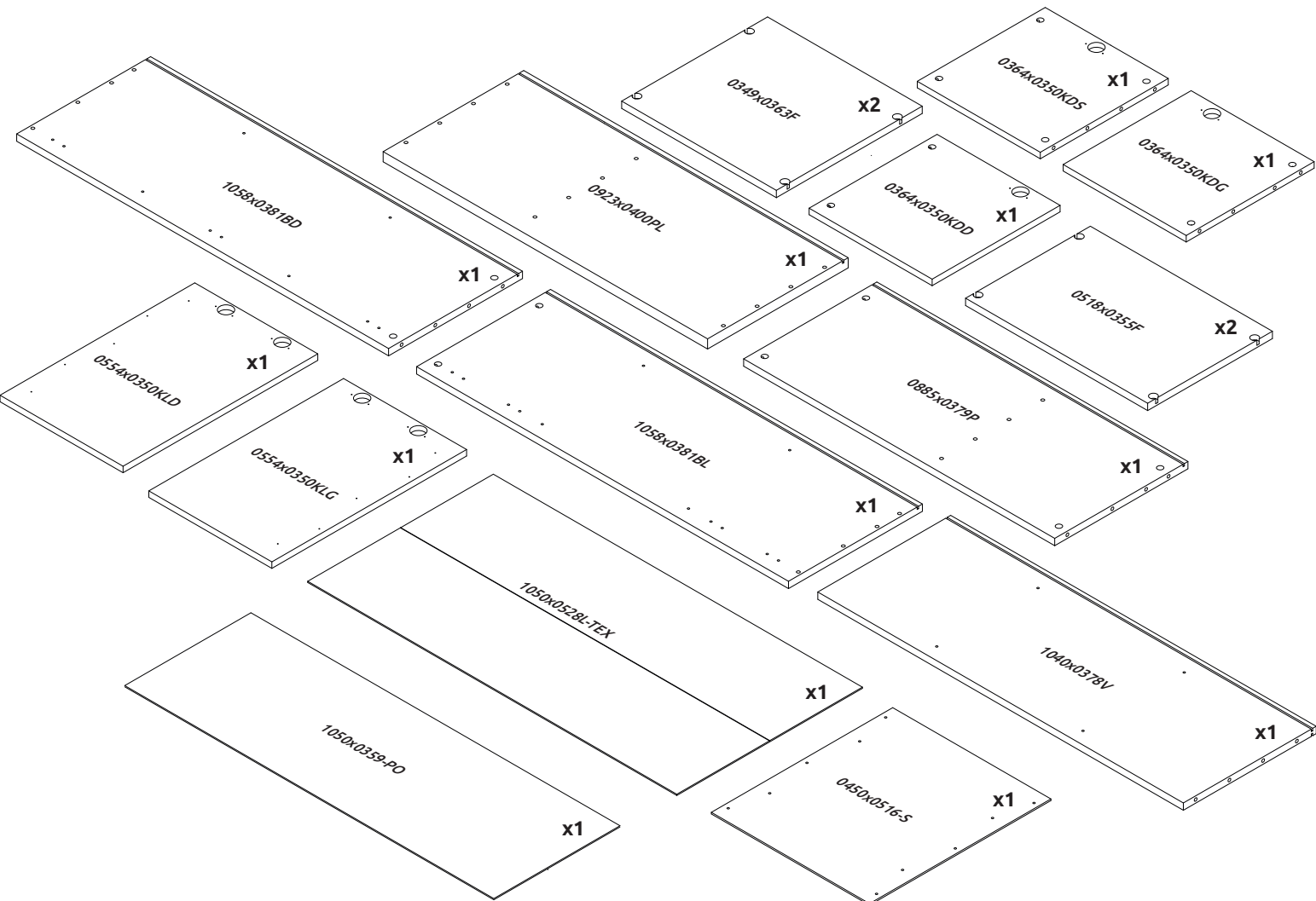


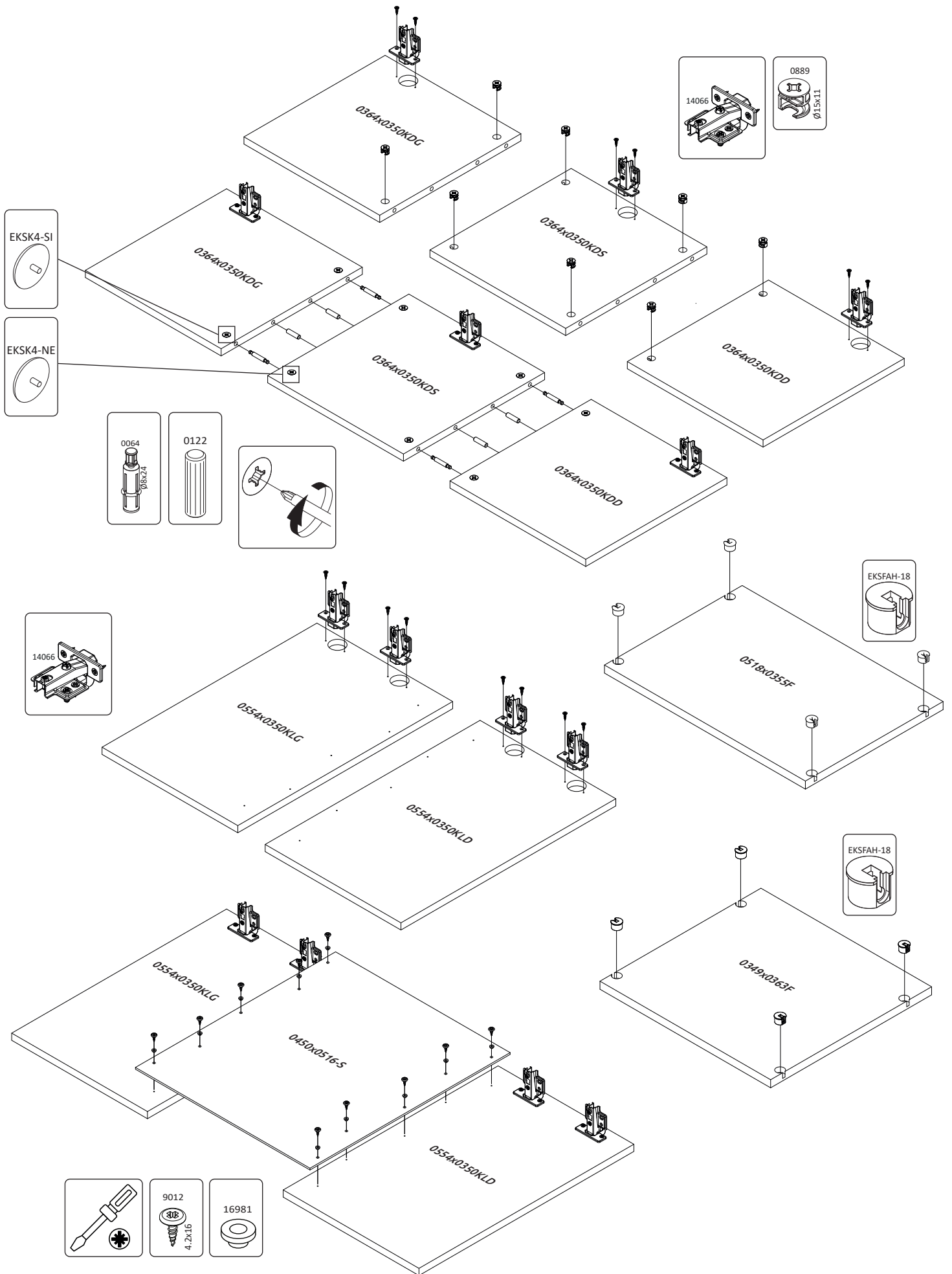
IMPORTANT - READ CAREFULLY - RETAIN FOR FUTURE REFERENCE
WICHTIG - SORGFÄLTIG LESEN UND AUFBEWAHREN

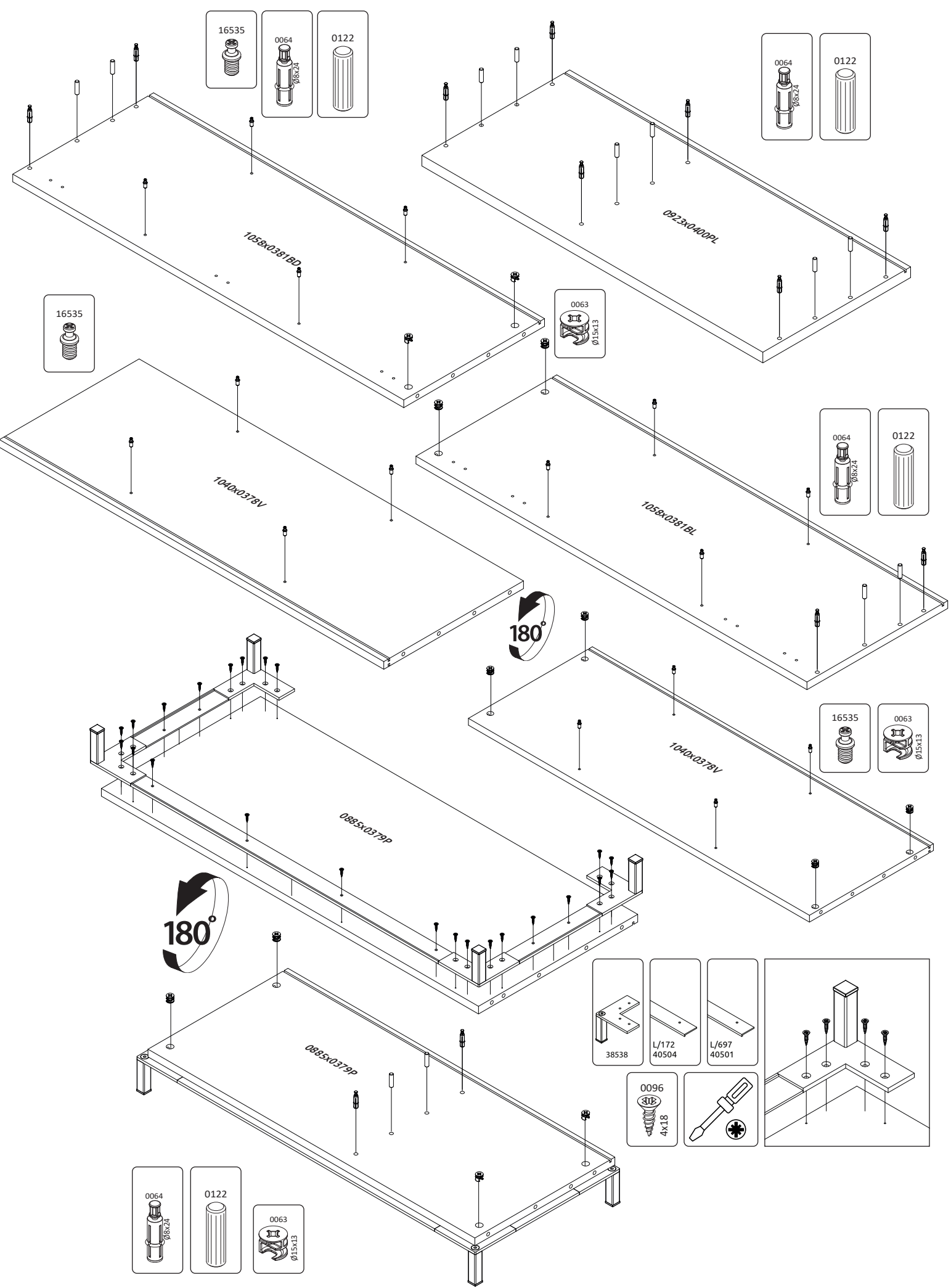


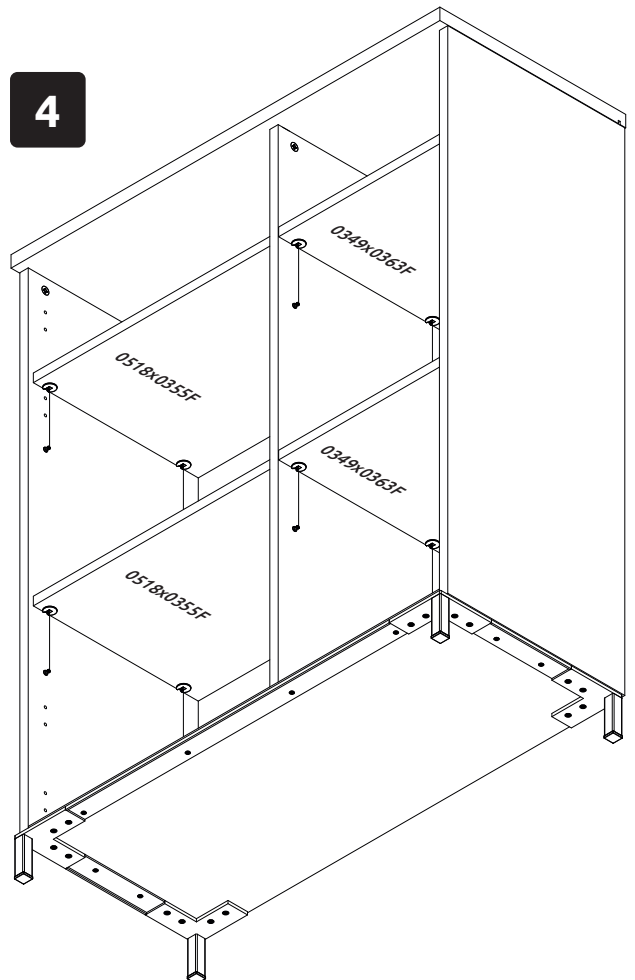
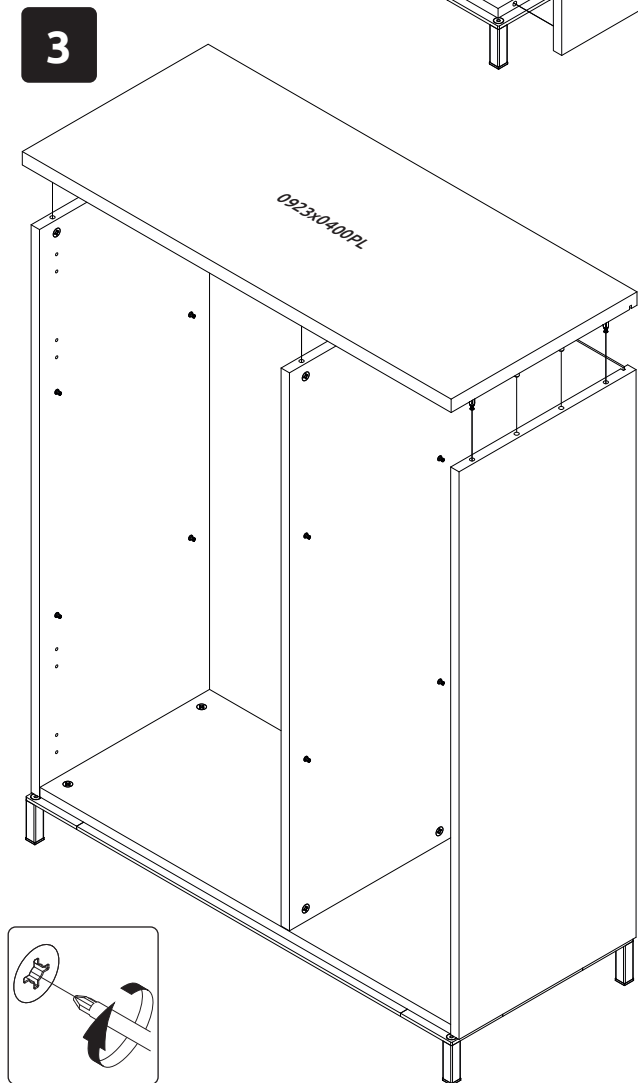
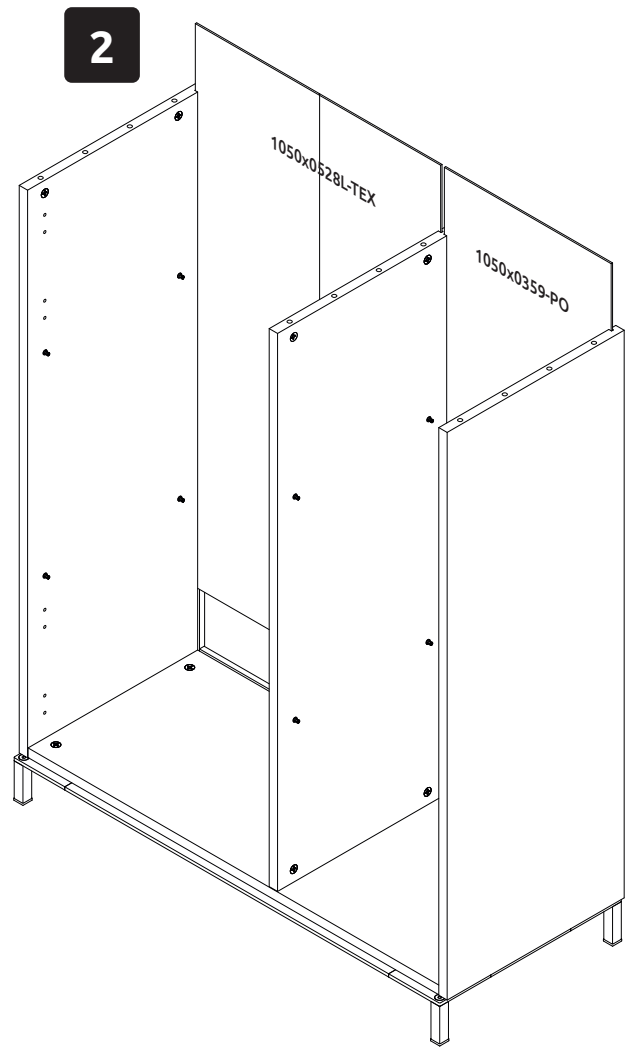
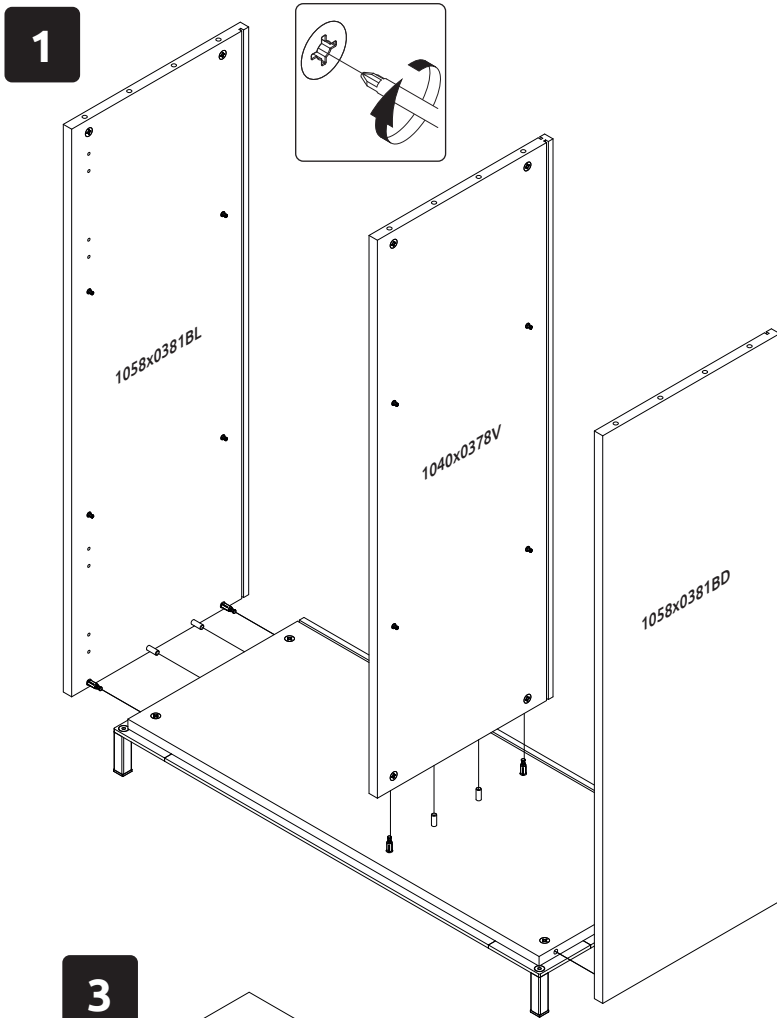
V90-2KS/ON
LWH - 923xx400x1163
03.06.2020

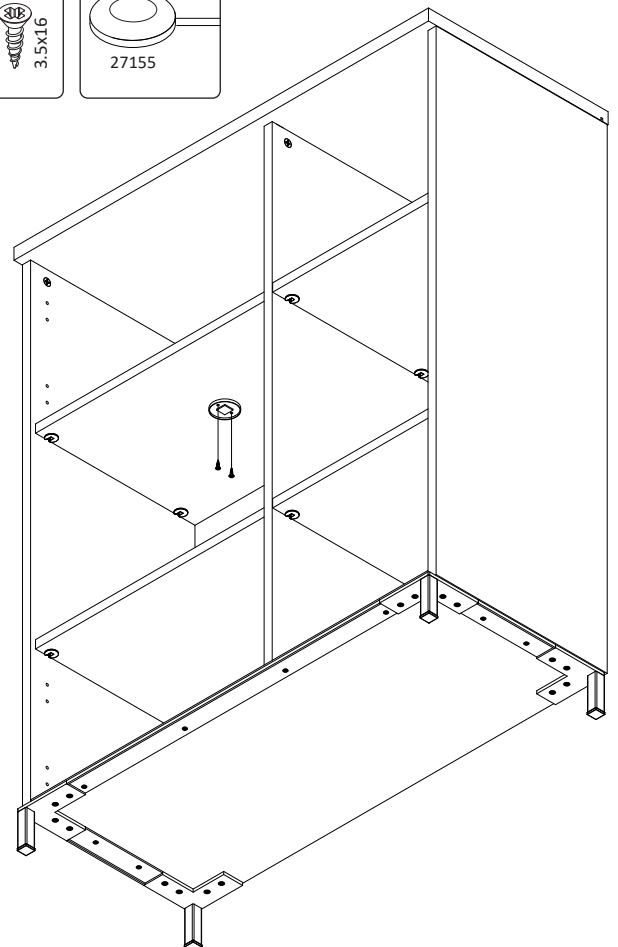
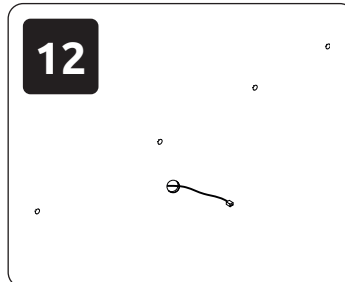
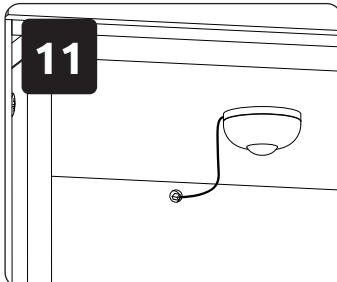
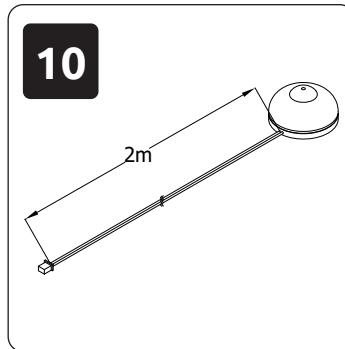
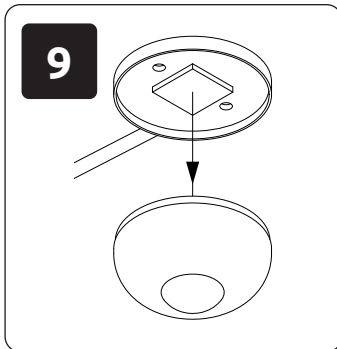
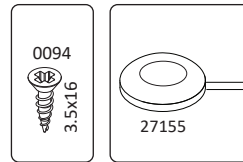
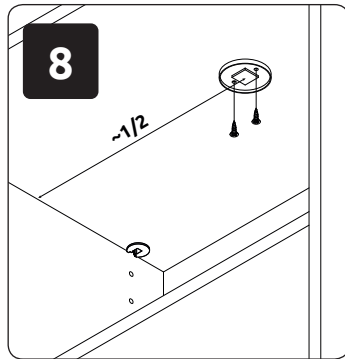
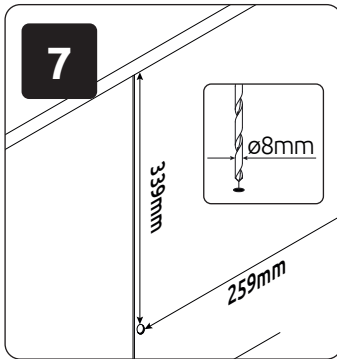
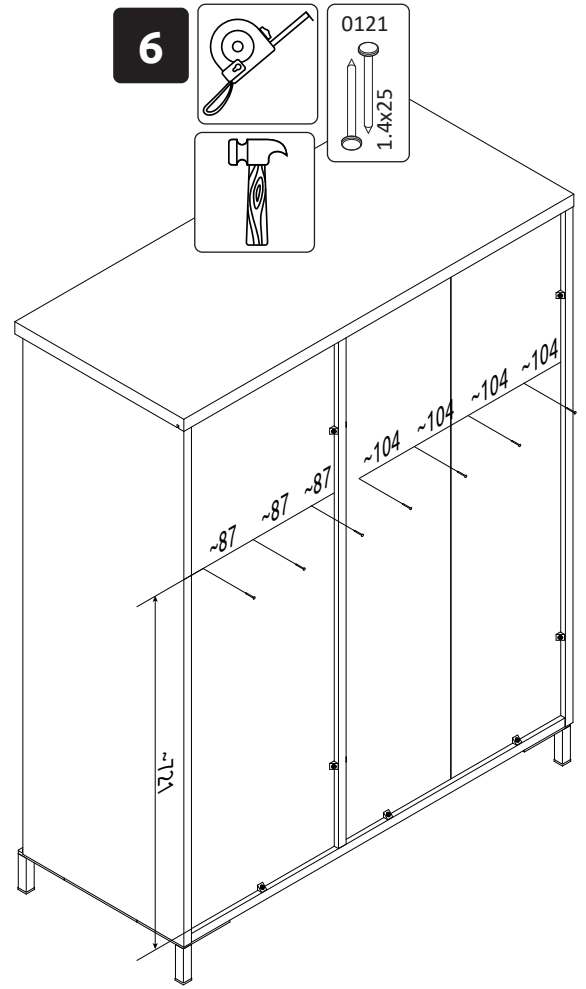
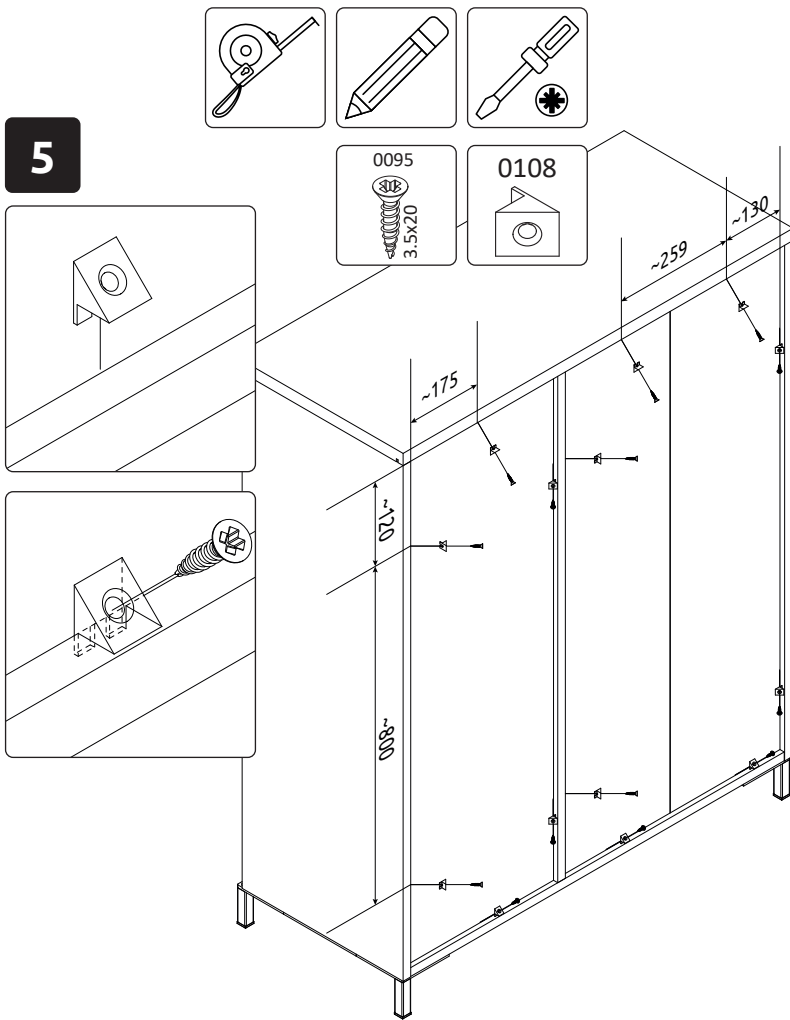
x10 9012 4.2x16	x24 0096 4x18	x7 0094 3.5x16	x14 0095 3.5x20	x8 32256 V4x23	x12 0064 Ø8x24	x16 16535	x12 0063 Ø15x13	x8 EKSK4-SI	x4 EKSK4-NE	x8 EKSK4-TEX	x10 16981	x14 0108
x4 5547	x16 0121 1.4x2.5	x16 0122	x2 EKSAFH-18	x8 6319	x4 0889 Ø15x11	x1 38538	x1 L/364 38840	x1 L/554 38709	x2 L/172 40504	x1 L/697 40501	x1 27155	x7 14066

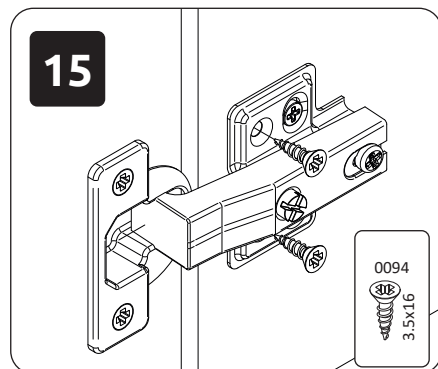
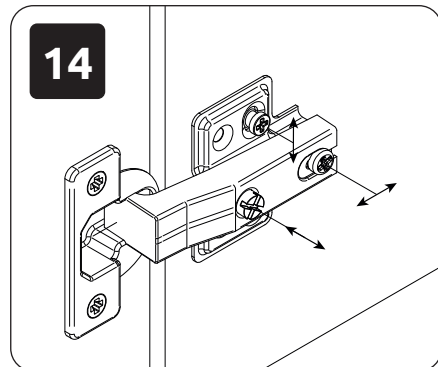
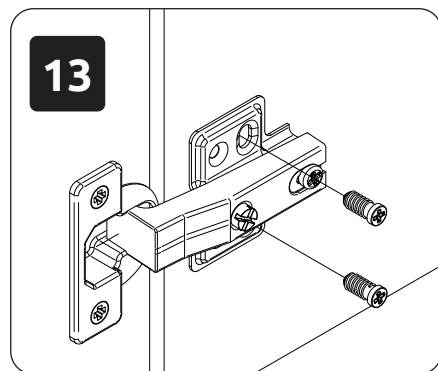
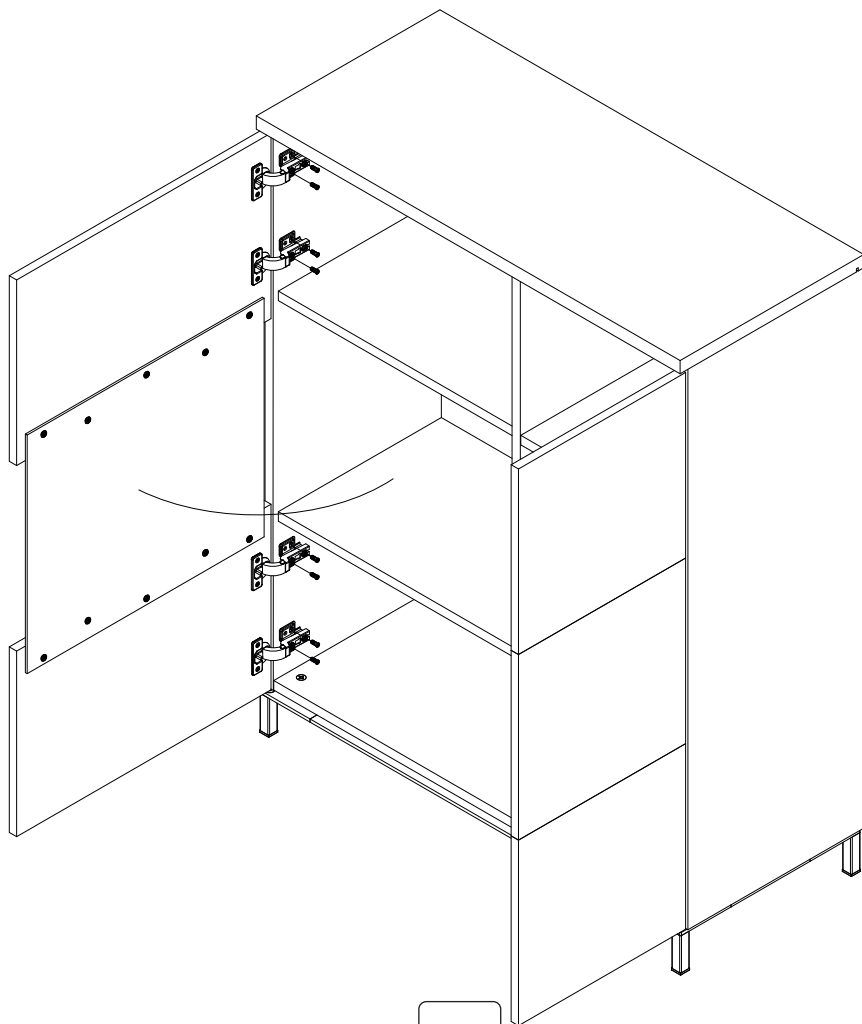




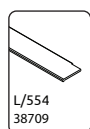
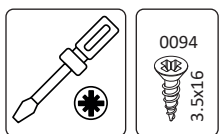








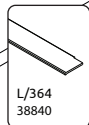
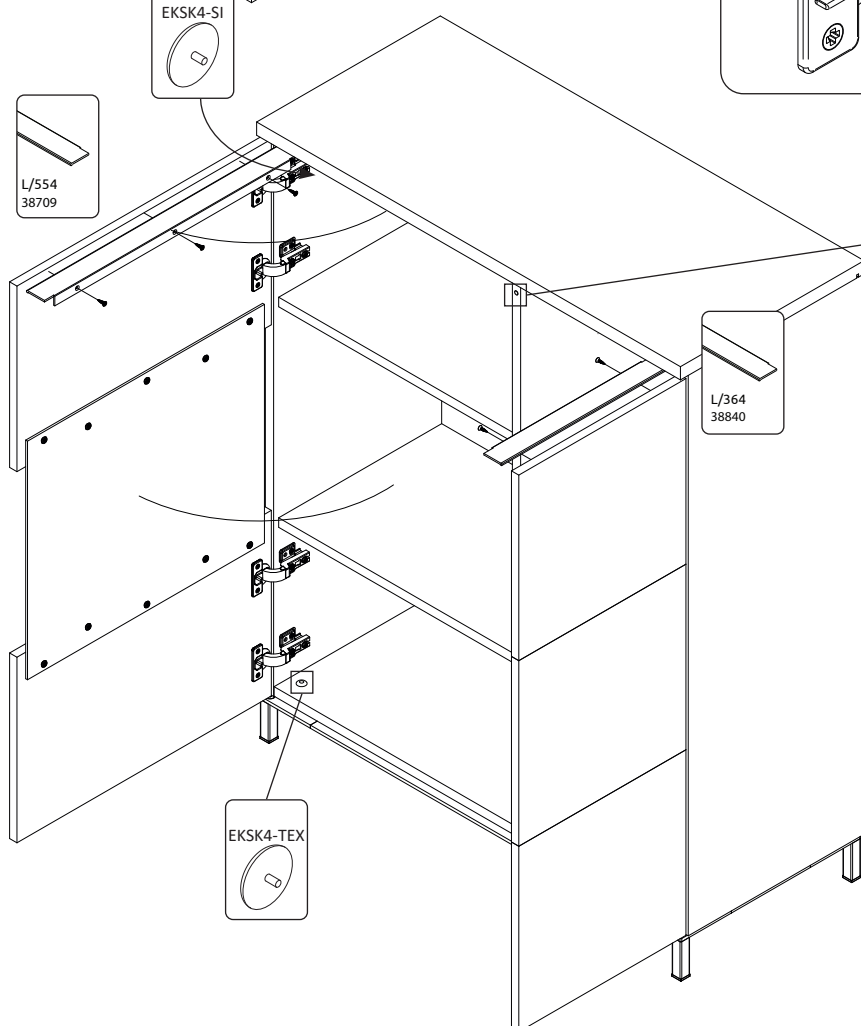
16



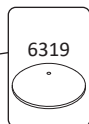
L/554
38709



EKSK4-SI



L/364
38840



6319



EKSK4-TEX