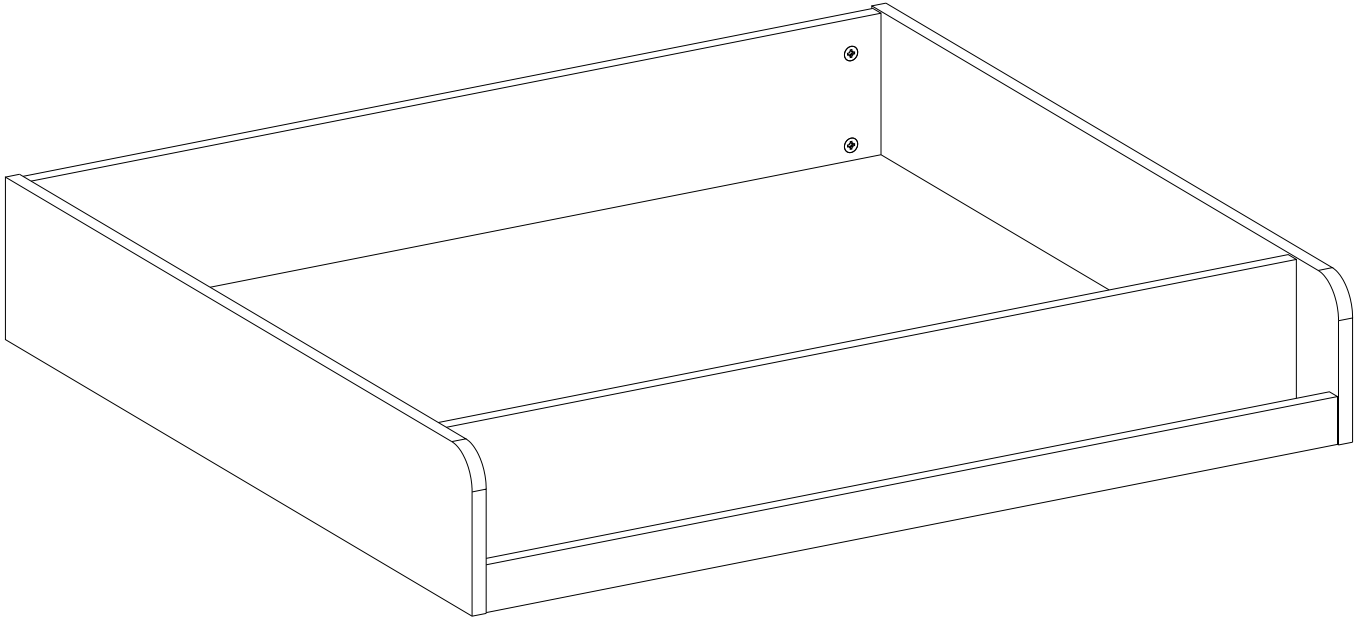


# 20.30.1311.00

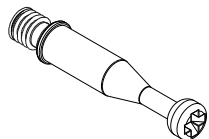
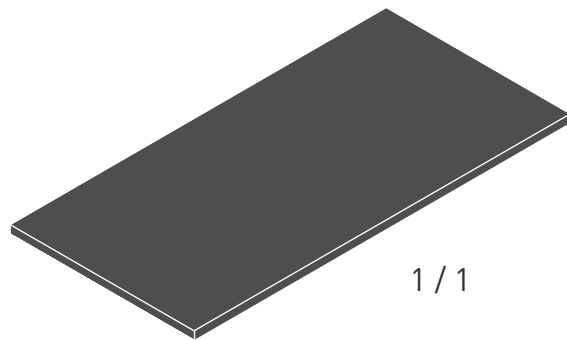
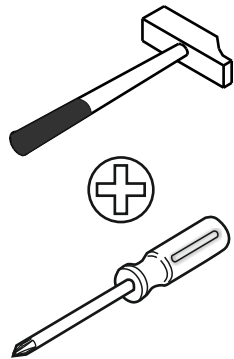
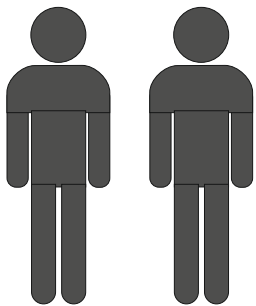


GARANTİ BELGESİ VE  
KULLANMA KILAVUZU



WARRANTY CERTIFICATE  
AND USER MANUAL



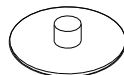


M6

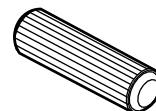
13.07.01.108 x 12



13.07.01.110 x 12

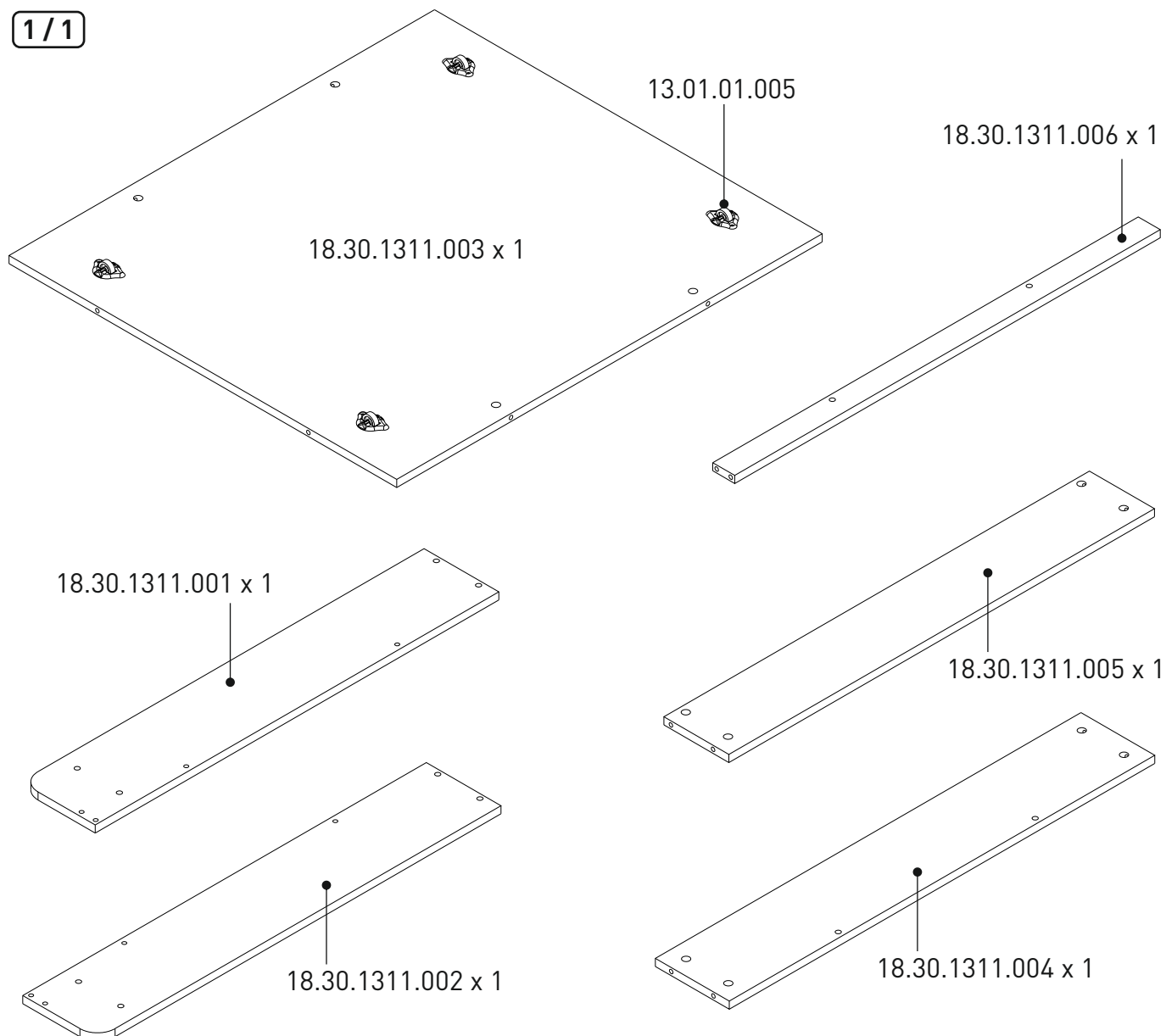


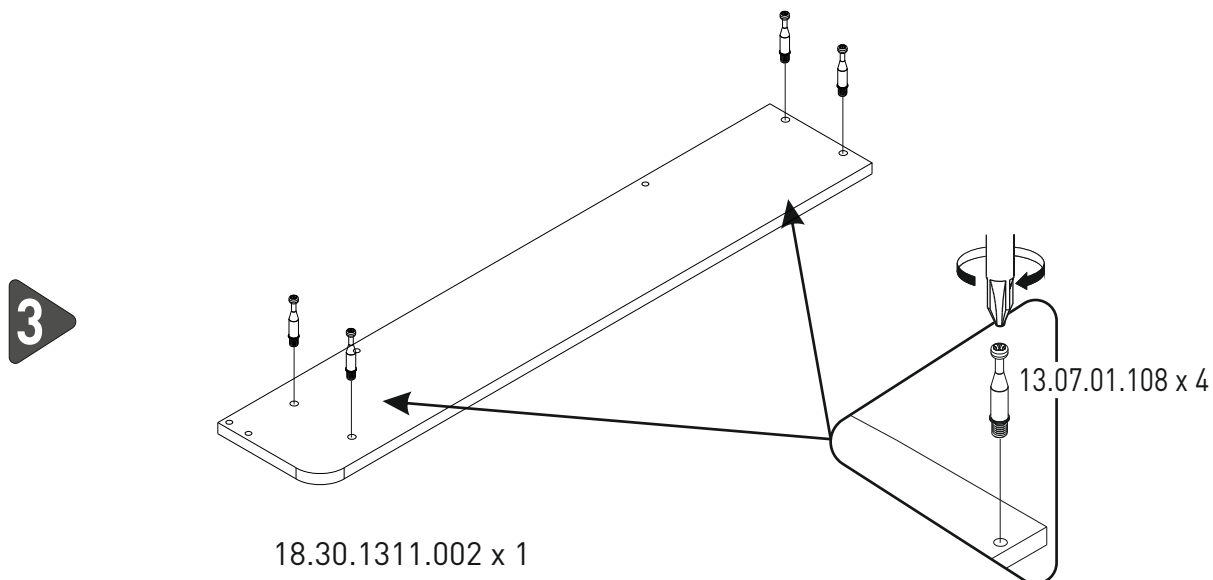
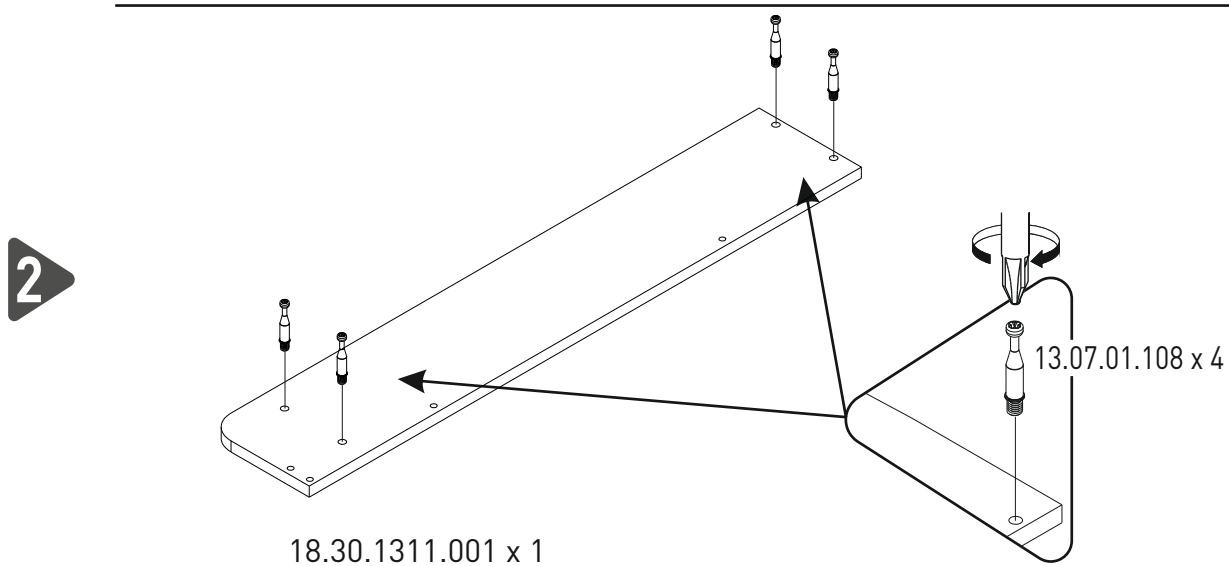
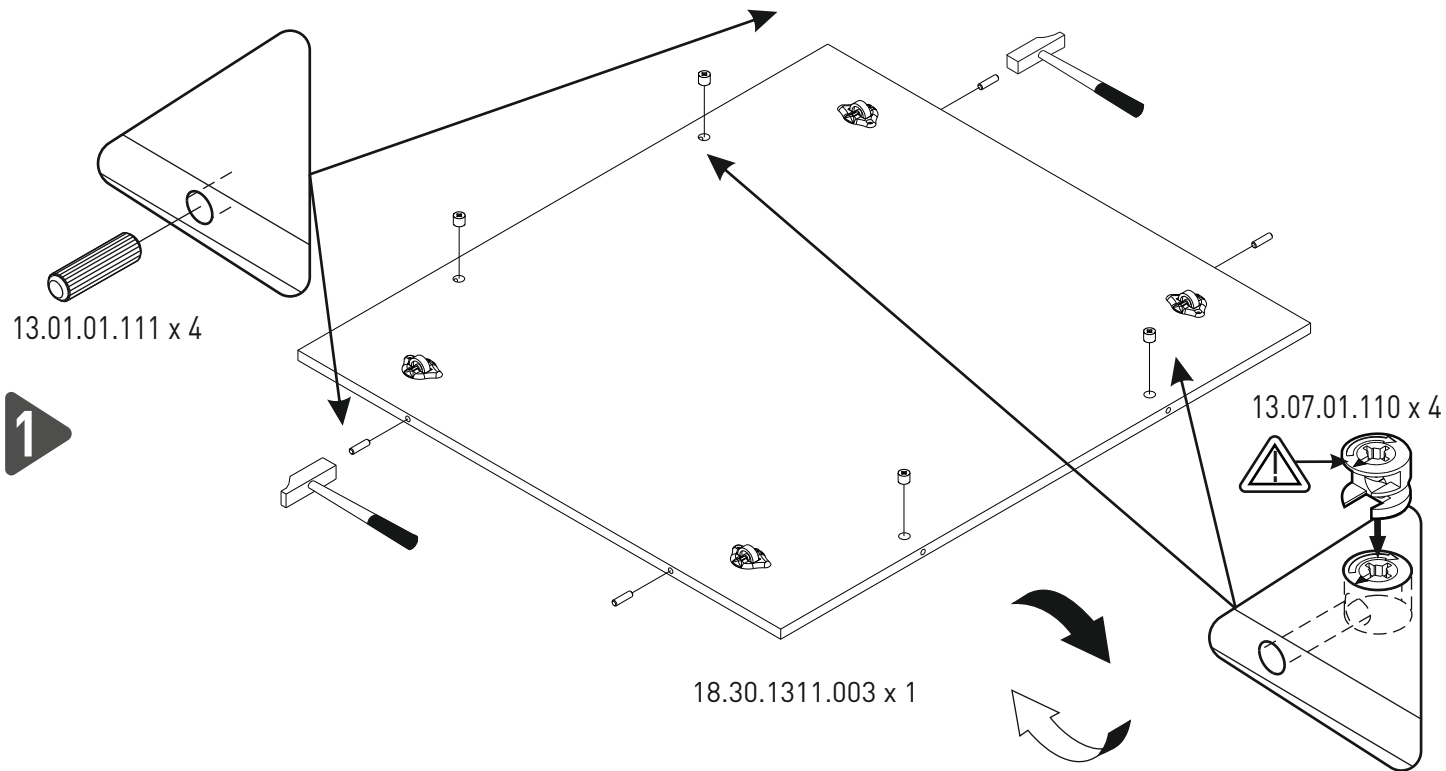
13.01.01.383 x 12



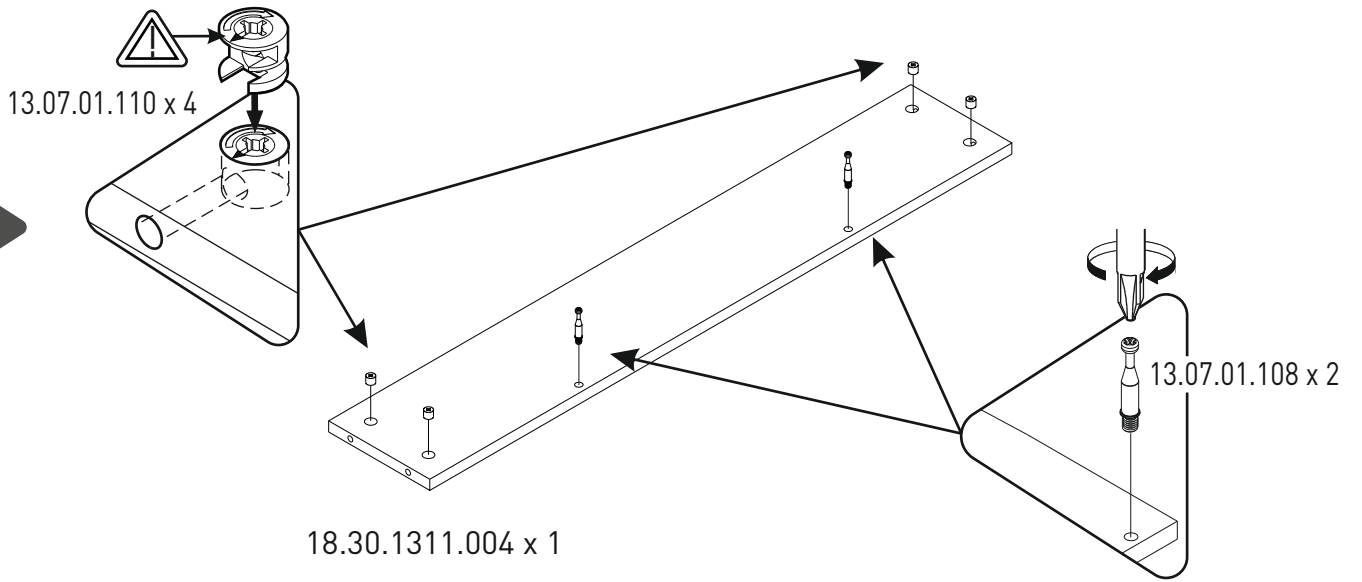
13.01.01.111 x 8

1 / 1

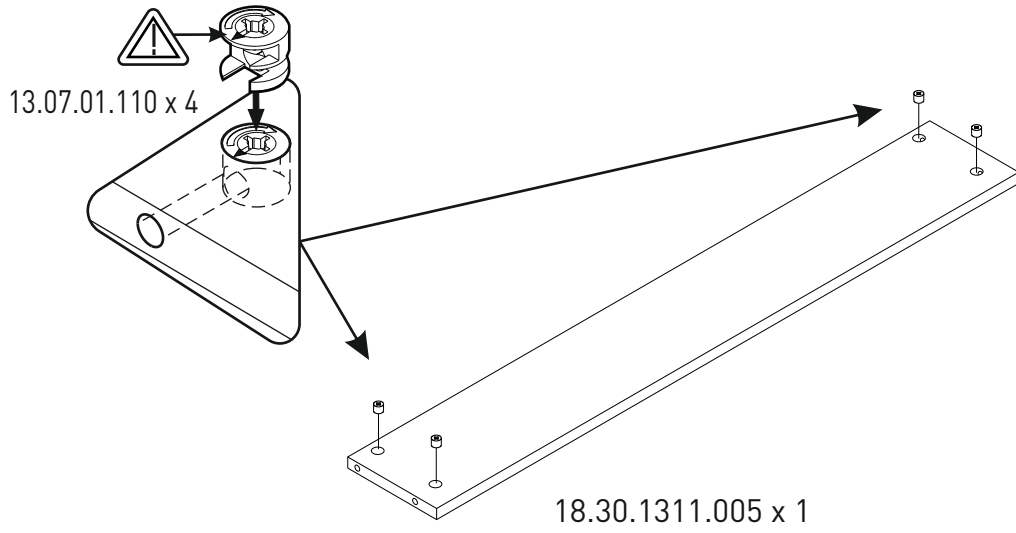




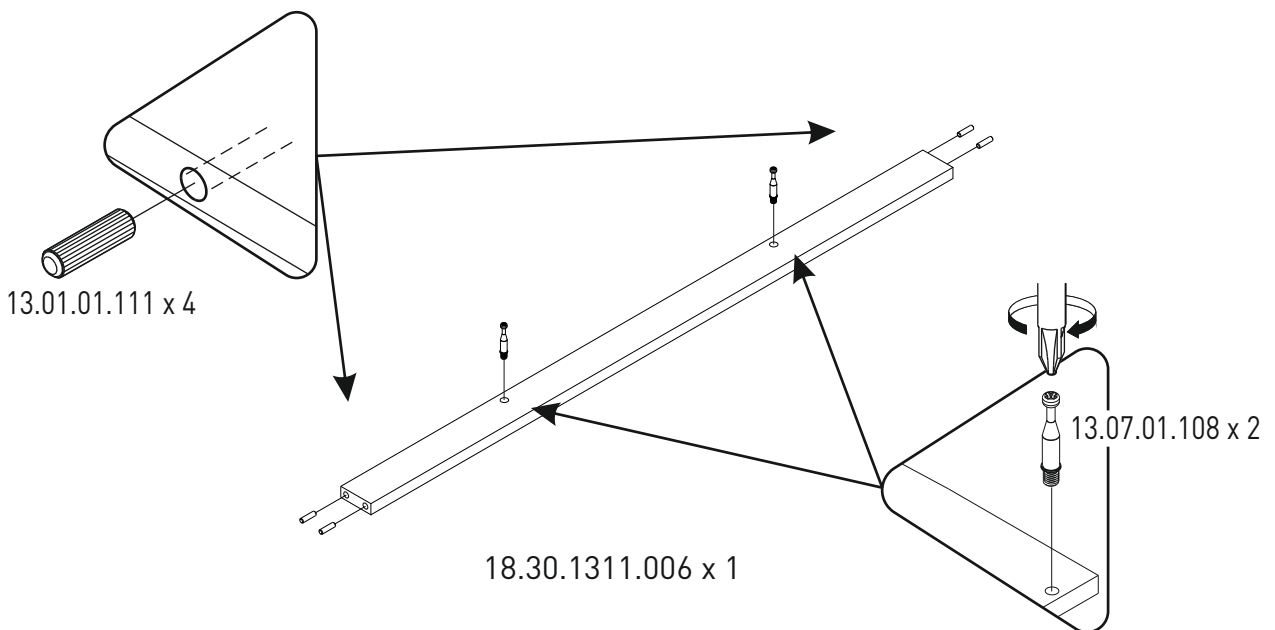
4



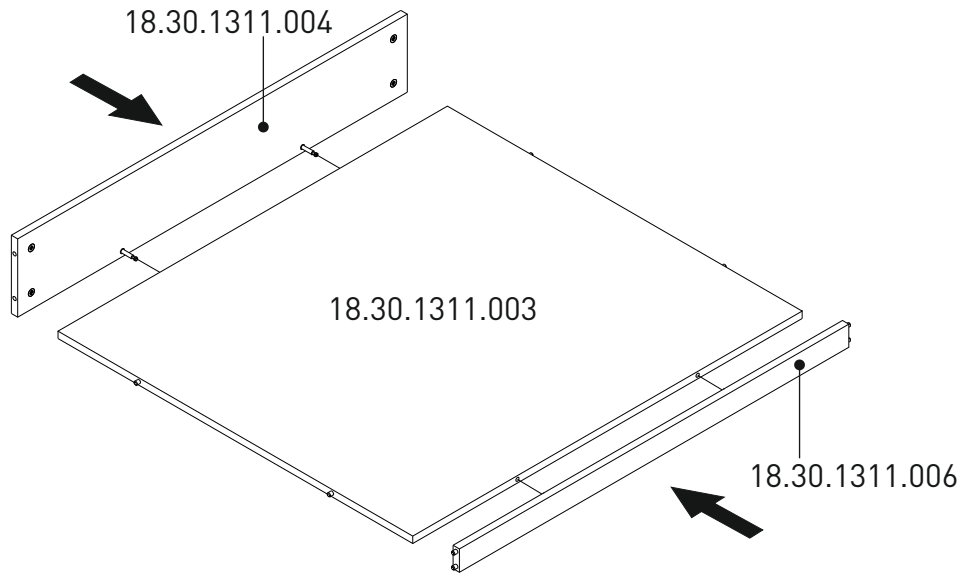
5



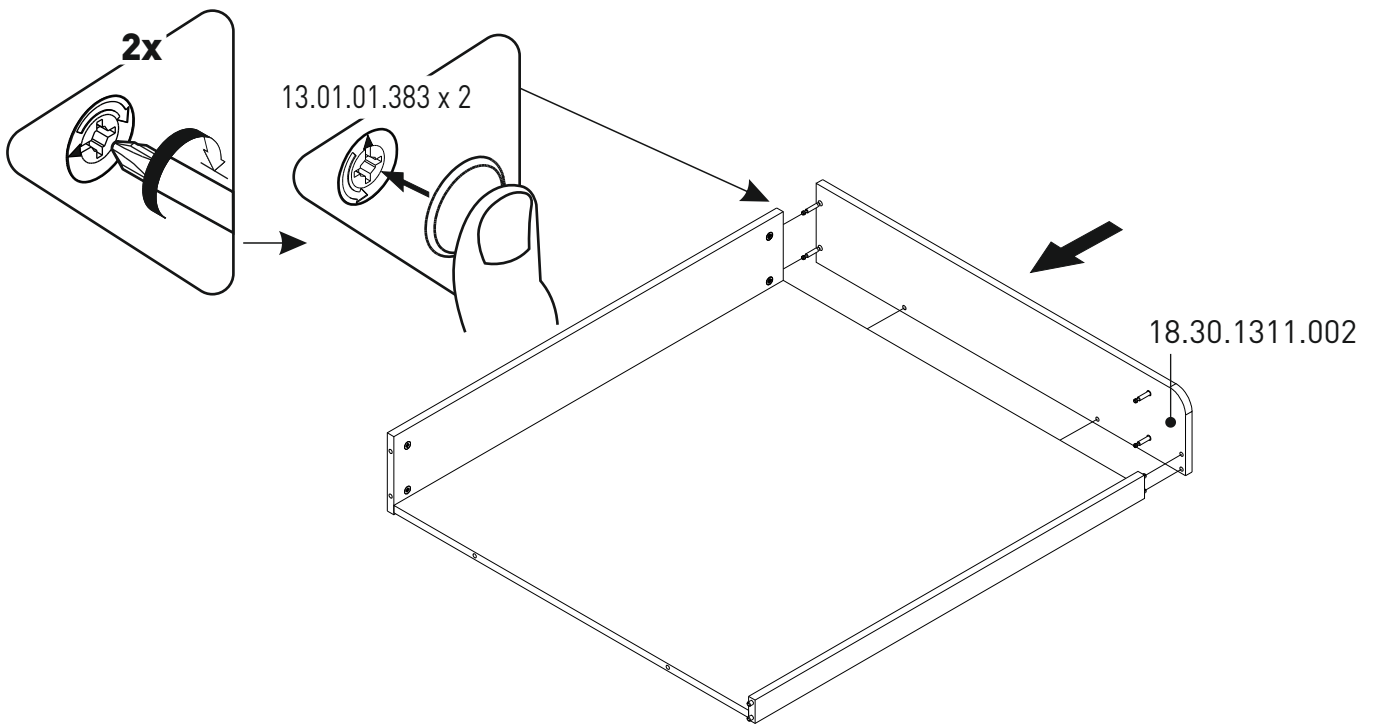
6



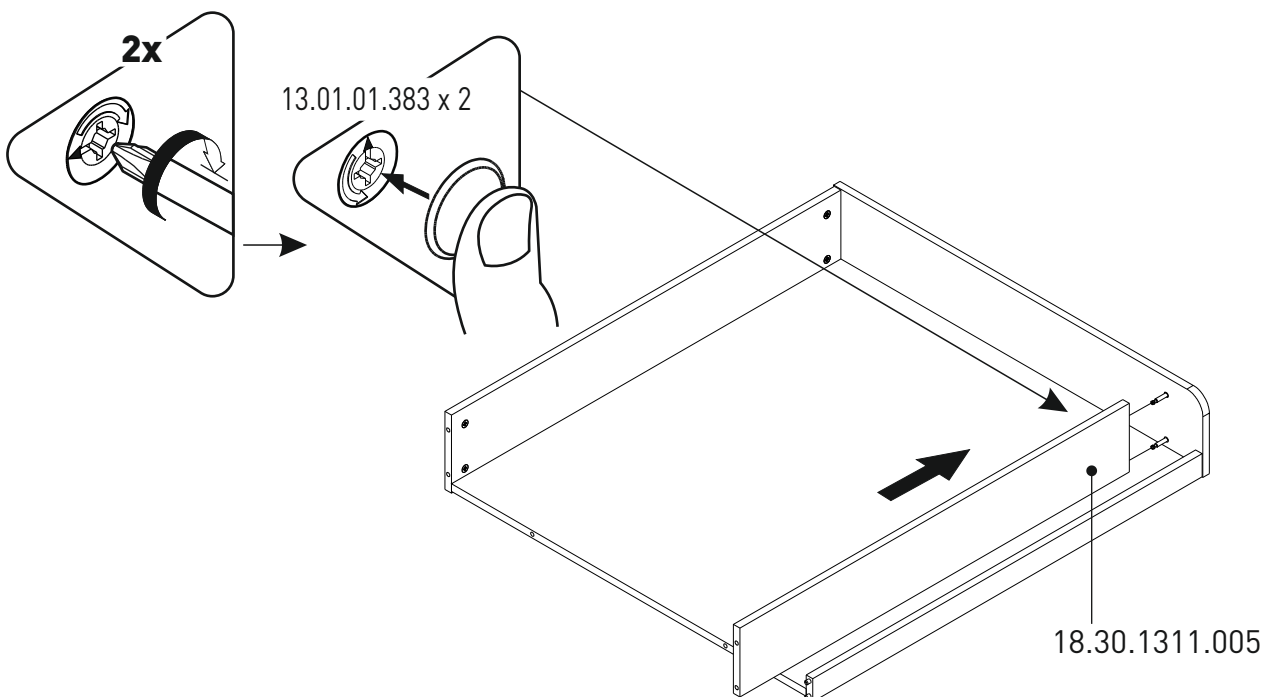
7



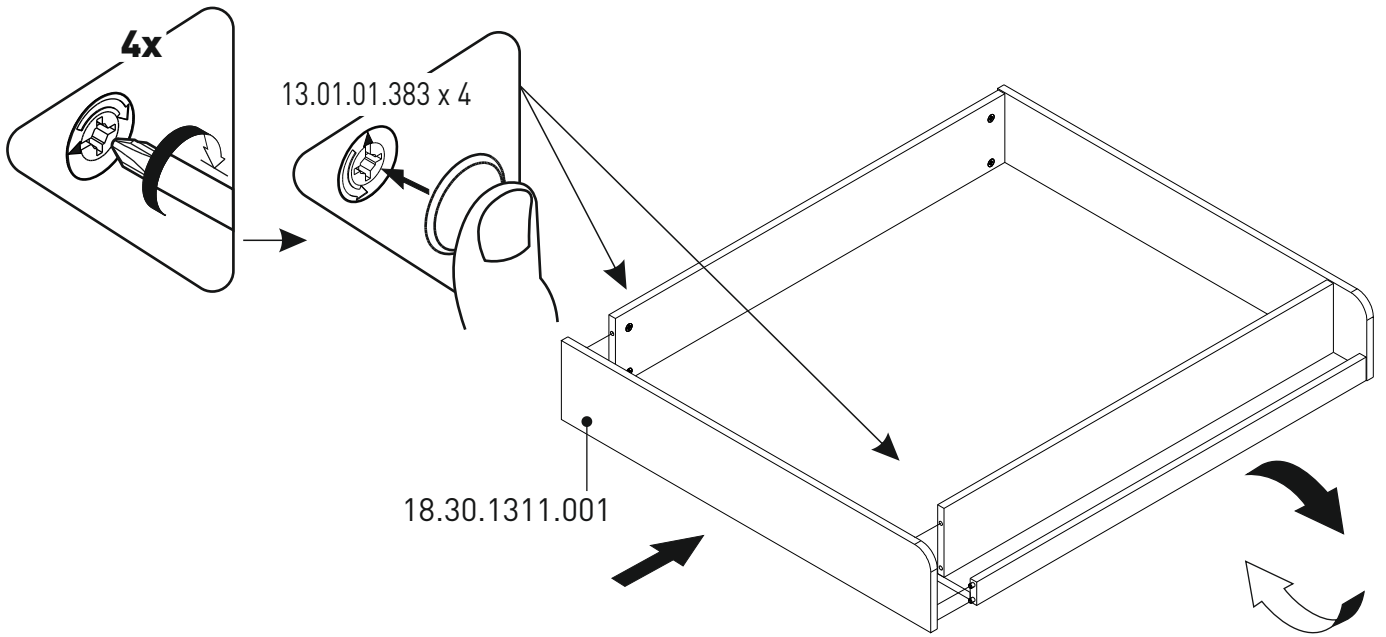
8



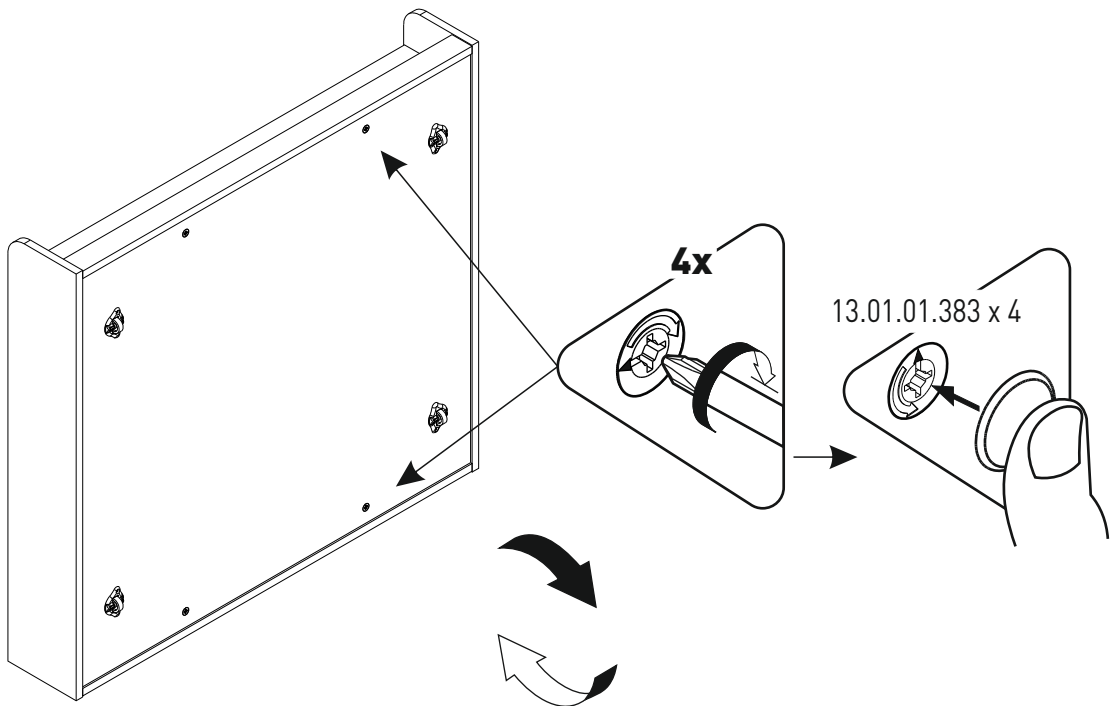
9



10



11



12

