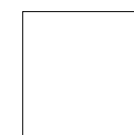




Front/Carcase	Colour code			
	Applications Alpine white	Applications lava grey	Applications Metallic grey	Applications Sanremo oak light colour
Sanremo oak light colour	–	<b>A4P94</b>	<b>A4P93</b>	–
Sonoma oak colour	<b>A6J95</b>	<b>A6J94</b>	–	–
Alpine white	–	<b>A9P94</b>	<b>A9P93</b>	<b>A9P96</b>



Alpine white



Sonoma oak colour



Sanremo oak light  
colour



lava grey



Metallic grey



Aluminium-coloured  
handles/handle  
strips



■ See rauch BLUE ACCESSORIES 2.0 for extras for hinged door wardrobes / Extras for sliding door wardrobes can be found after the wardrobes.

Supplier: Rauch Möbelwerke GmbH

# Quality features

rauch BLUE



Interior colour  
Texline colour



Metal guide rails



Drawers on silent ball-bearing runners



Optional dampers for hinged and sliding doors

Top workmanship

Proven fittings technology

Easy to assemble

Practical accessories

## Material information



### Colour

Furniture with colour finish has an evenly attractive, hard-wearing surface.



### WOODMAX chipboard

This healthy green-wood chipboard was designed specifically for use in living areas. Our Woodmax chipboard is made only from pollutant-free small-diameter logs and windfall timber from sustainably managed forestry operations in regional woods.



### Load-bearing capacity

The load limits for all furniture and extras can be found in the load table at: <https://qrco.de/rauch-belastungstabelle>

### Our natural raw material

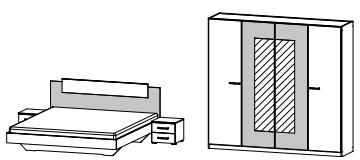
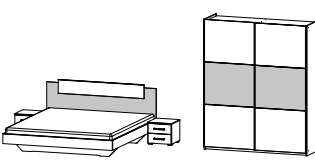
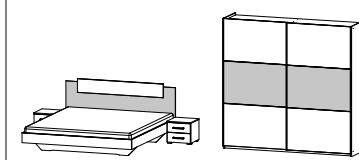
Rauch has won various awards for the material used in its boards. Strict tests by impartial institutes consistently confirm that our materials and processes are not harmful to health.

## Award-winning and certified



Front/Carcase	Colour code			
	Applications Alpine white	Applications lava grey	Applications Metallic grey	Applications Sanremo oak light colour
Sanremo oak light colour	-	A4P94	A4P93	-
Sonoma oak colour	A6J95	A6J94	-	-
Alpine white	-	A9P94	A9P93	A9P96

Minimum order quantity: 5 pieces

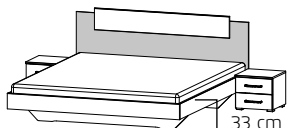
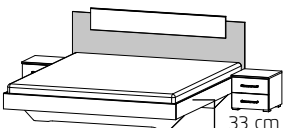

COMBINATIONS		Special offer sets consisting of: Robe and bed combination (bed + bedside tables with 2 drawers)		
				
		bedroom – 4-piece combination	bedroom – 4-piece combination	bedroom – 4-piece combination
		07F8 bed combination with 2 bedside tables	07F8 bed combination with 2 bedside tables	07F8 bed combination with 2 bedside tables
		5F25 hinged door wardrobe ↔226 cm	4210 sliding door wardrobe ↔175 cm	4211 sliding door wardrobe ↔218 cm
Article	Price	<b>07P7</b>	<b>07F9</b>	<b>07P6</b>

**Note!**

Please specify the no. of the desired bed size.

**Example:**

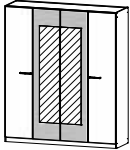
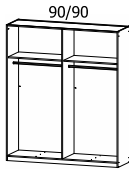
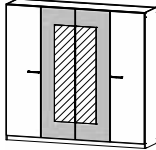
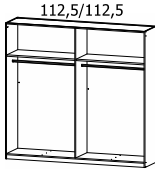
Col. code	Art. no.	Bed sizes
A0000	0000	60(Mattresssize160x200cm)
A0000	0000	80(Mattresssize180x200cm)

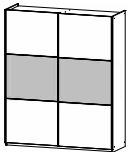
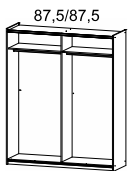
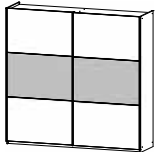
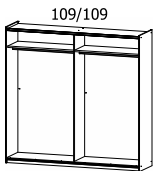
BEDS		Combination consisting of bed and 2 bedside tables.		
<ul style="list-style-type: none"> <li>• Bed side height = 33 cm</li> <li>• Slatted frame can be adjusted to 3 different heights</li> <li>• Inlet depths (Upper edge of bed side to support height): 5,5 cm 7,1 cm 8,7 cm</li> </ul>				
		bed combination	bed combination	bedding box on rollers
		with 2 bedside tables	with 2 bedside tables	
		160/200 ↔245 cm †88 cm ↗205 cm BG 60	180/200 ↔265 cm †88 cm ↗205 cm BG 80	↔59 cm †16 cm ↗108 cm
Article	Price	<b>07F8</b>	<b>07F8</b>	<b>9901</b>

MATCHING PIECES	
	
	chest
	2-door, 2 drawers
	↔93 cm †81 cm ↗42 cm
Article	Price
	<b>639H</b>

Front/Carcase	Colour code			
	Applications Alpine white	Applications lava grey	Applications Metallic grey	Applications Sanremo oak light colour
Sanremo oak light colour	-	A4P94	A4P93	-
Sonoma oak colour	A6J95	A6J94	-	-
Alpine white	-	A9P94	A9P93	A9P96

Minimum order quantity: 5 pieces







WARDROBES		Hinged door wardrobe. Mirrored doors in contrasting colour.				
See rauch BLUE ACCESSORIES 2.0 for extras for hinged door wardrobes.	 	 	<p><b>*Important!</b>                      Design constraints necessitate a shelf thickness of 2.2 cm on unit widths of 112.5 cm.</p>			
					hinged door wardrobe	hinged door wardrobe
					4-door, 2 mirror doors	4-door, 2 mirror doors
					↔181 cm †210 cm ↘54 cm	↔226 cm †210 cm ↘54 cm
Article	Price	<b>5203</b>	<b>5F25</b>			


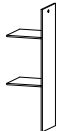
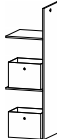
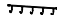

WARDROBES		Sliding door wardrobes. Middle sections in contrast colour.				
Matching extras can be found after the wardrobes.	 	 	<p><b>*Important!</b>                      Design constraints necessitate a shelf thickness of 2.2 cm on unit widths of 109 cm.</p>			
					sliding door wardrobe	sliding door wardrobe
					2-door	2-door
					↔175 cm †210 cm ↘59 cm	↔218 cm †210 cm ↘59 cm
Article	Price	<b>4210</b>	<b>4211</b>			

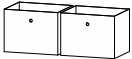
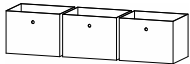
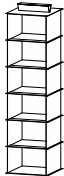
WARDROBES					
Article	Price				

## Extras for sliding door robes

Colour	Colour code
Texline (natural-colour linen look)	A0039

ELEMENT WIDTH ▶		65	87	109	65	87	109						
Design constraints necessitate a shelf thickness of 2.2 cm on unit widths of 109 cm.													
		Shelf	Shelf	Shelf	hanging rail	hanging rail	hanging rail						
		for unit width 66cm	for unit width 87 cm	for unit width 109 cm	for unit width 66cm	for unit width 87 cm	for unit width 109 cm						
		↔63 cm ↓1,6 cm ↗45 cm	↔85 cm ↓1,6 cm ↗45 cm	↔107 cm ↓2,2 cm ↗45 cm	↔63 cm ↓3 cm ↗2 cm	↔84 cm ↓3 cm ↗2 cm	↔106 cm ↓3 cm ↗2 cm						
1 pieces	Price	<b>94W1</b>	9,82	<b>97W1</b>	13,87	<b>98W1</b>	18,50	<b>97K1</b>	4,32	<b>9724</b>	4,64	<b>9762</b>	4,62
Set of 2		<b>97W0</b>	18,60	<b>97W2</b>	24,66	<b>98W2</b>	33,89	---	---	---	---	---	---
Set of 3		<b>94W3</b>	27,35	<b>97W3</b>	36,98	<b>98W3</b>	50,84	---	---	---	---	---	---
Set of 5		<b>94W5</b>	44,85	<b>97W5</b>	58,51	---	---	---	---	---	---	---	---

GENERAL		Drawer unit and interior division match all unit widths.										
												
		interior drawer	wardrobe interior division	Interior division	hooks	set of 2 dampers for sliding wardrobes						
		with 2 drawers	with 2 shelves for unit width 90cm	with 2 shelves for unit width 90cm, 2 Fabric boxes		Cushions the door stop on the outer panels of the wardrobe.						
		↔58 cm ↓39 cm ↗45 cm	↔45 cm ↓147 cm ↗45 cm	↔45 cm ↓147 cm ↗45 cm	↔35 cm ↓5 cm ↗5 cm							
Article	Price	<b>9846</b>	52,36	<b>9934</b>	29,28	<b>035W</b>	40,40	<b>9HL1</b>	8,61	<b>9TDD</b>	29,27	

GENERAL												
												
		fabric box	fabric box	hanging fabric box								
		set of 2 grey	set of 3 grey	fabric for clothes rail								
		2x ↔38 cm ↓29 cm ↗29 cm	3x ↔38 cm ↓29 cm ↗29 cm	↔30 cm ↓115 cm ↗30 cm								
Article	Price	<b>93G2</b>	11,09	<b>93G3</b>	16,62	<b>7526</b>	13,13					