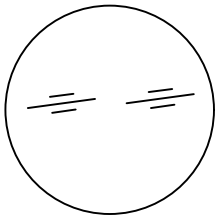


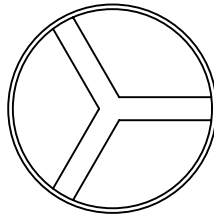
# ASSEMBLY INSTRUCTION

## PARTS LIST

1-1 Pc.



2-1 Pc.



3-3 Pcs.



## FITTINGS

A-9Pcs



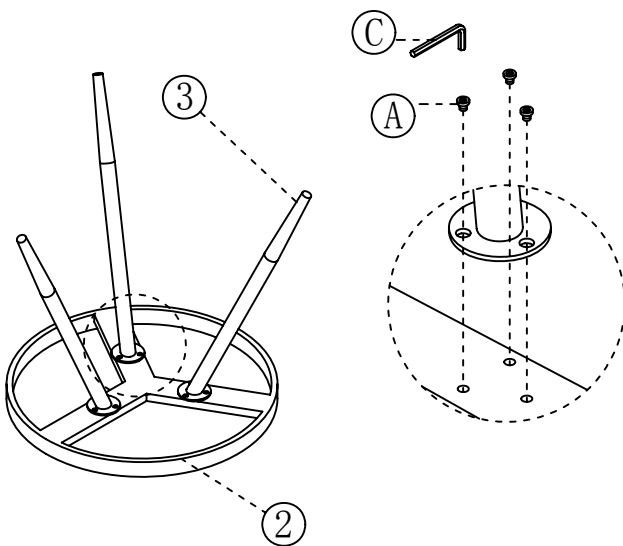
B-4Pcs



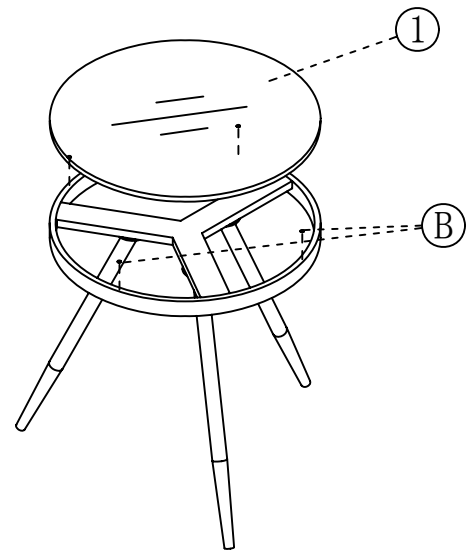
C-1Pc



1



2



3

