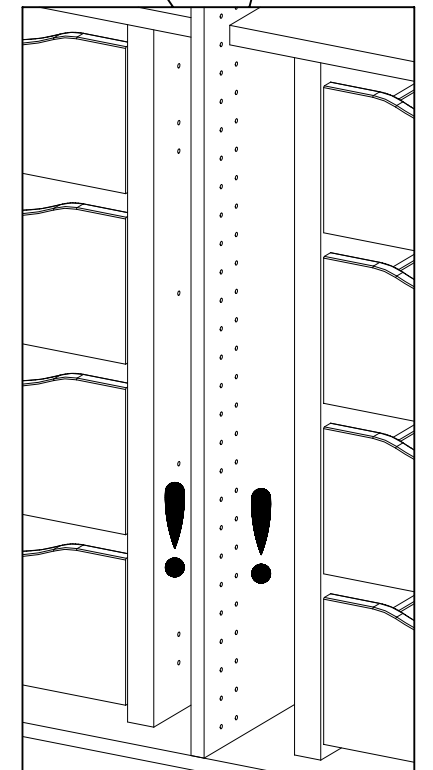
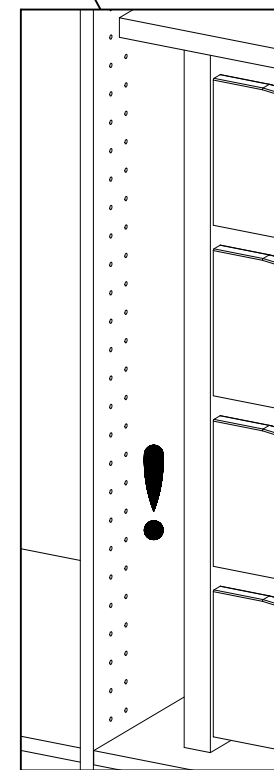
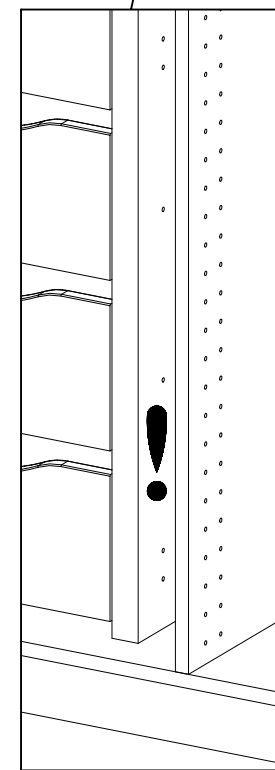
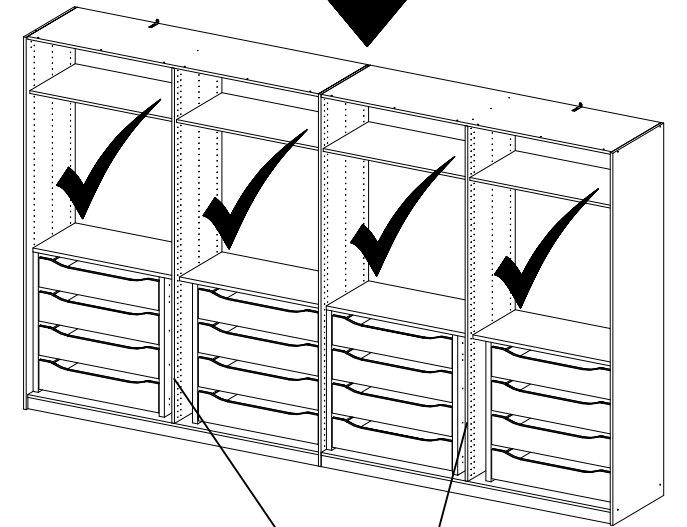
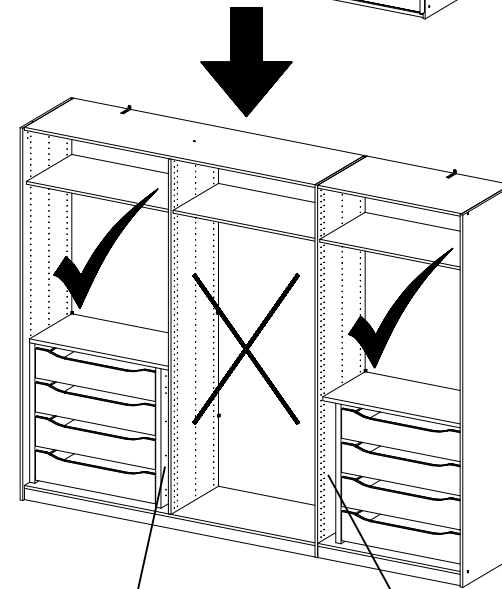
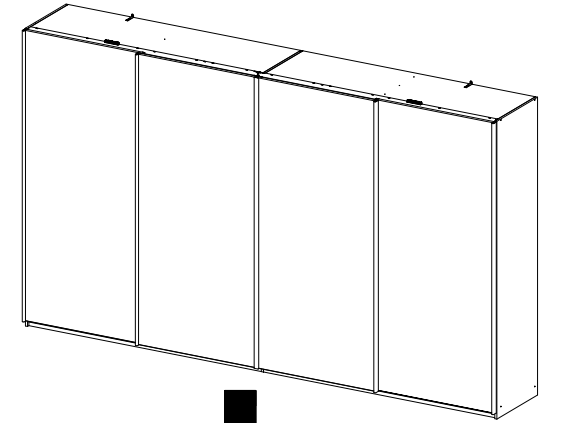
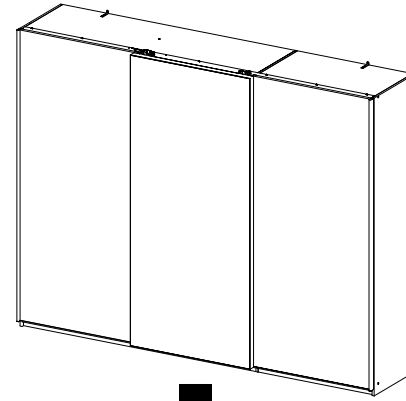
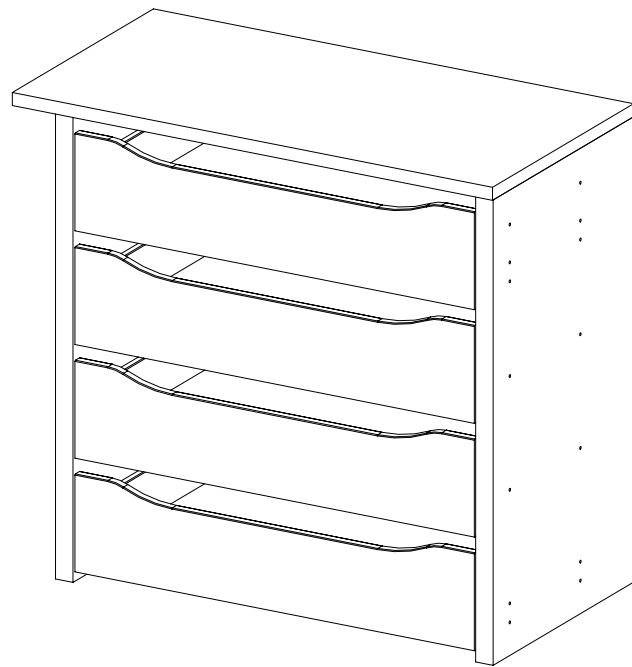
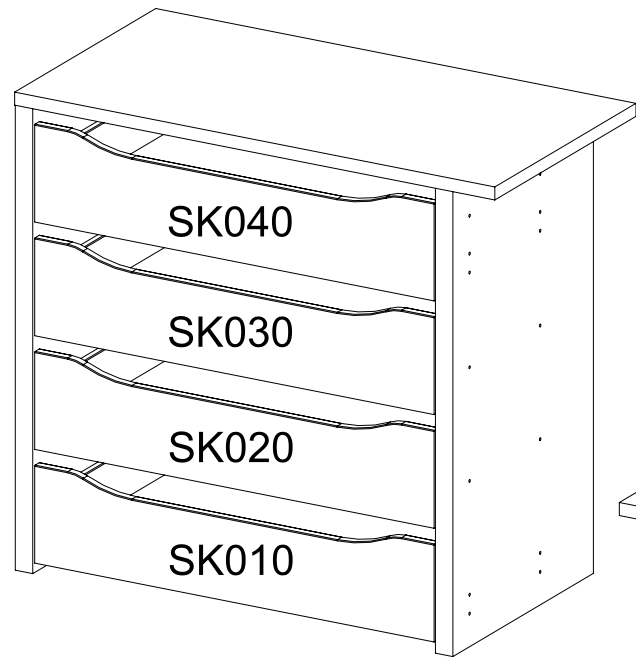
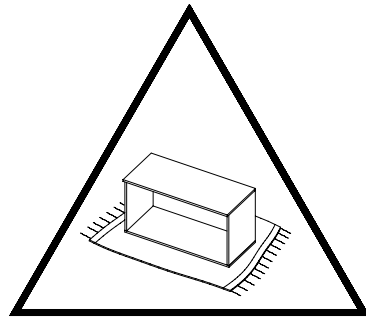
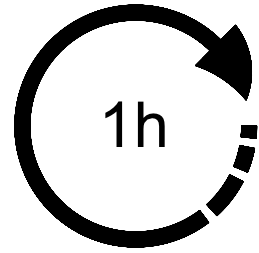
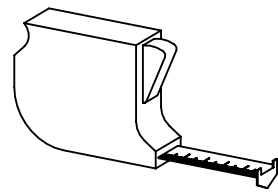
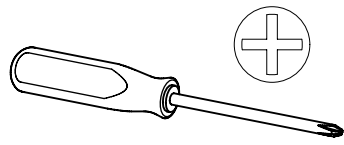
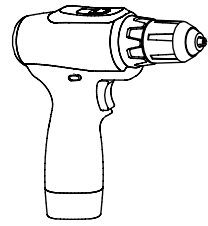
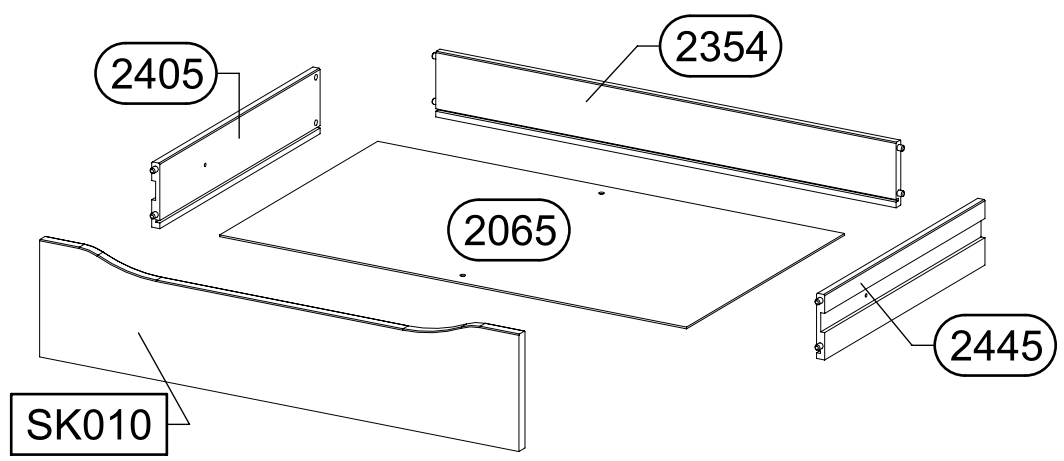
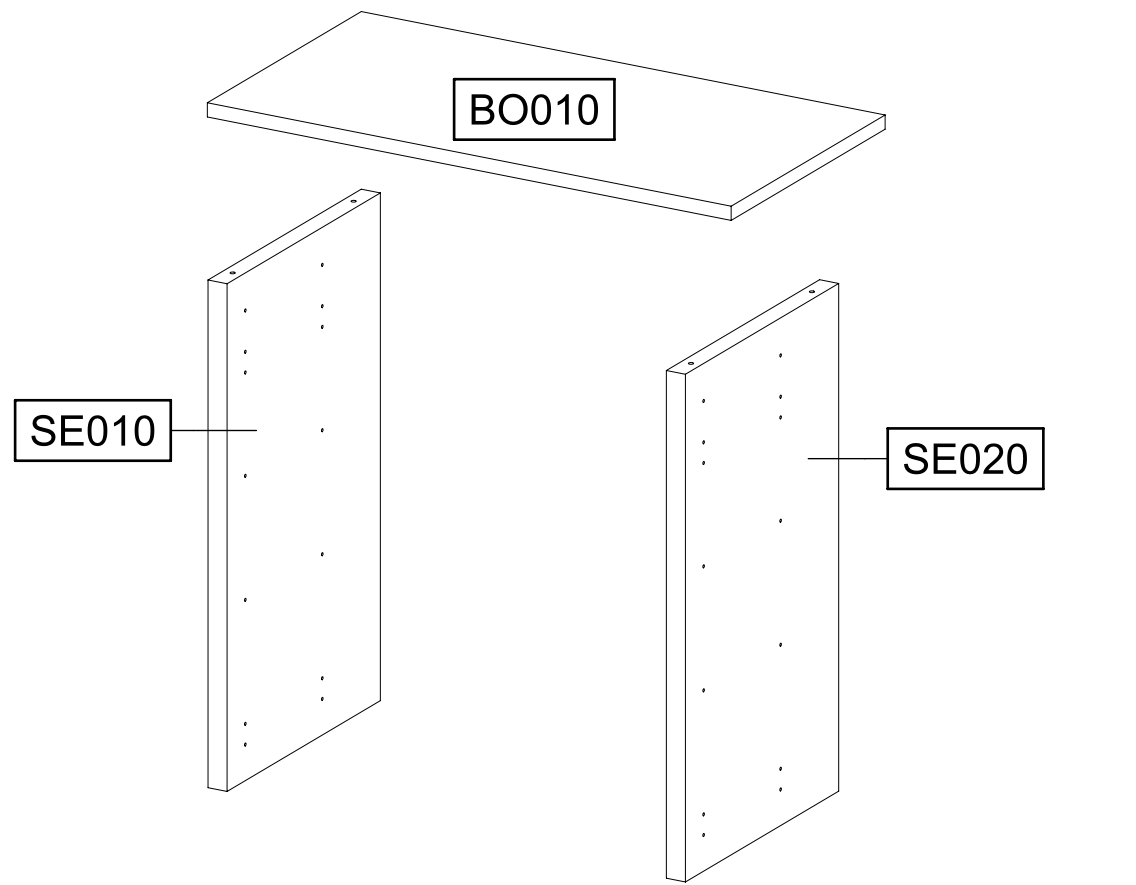


M2709_01

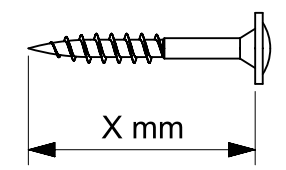
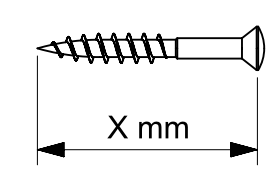
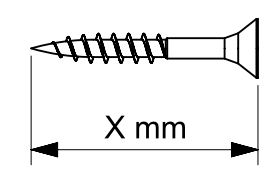
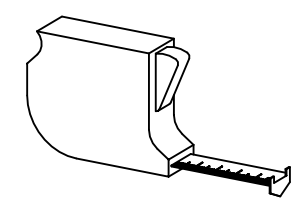
rauch

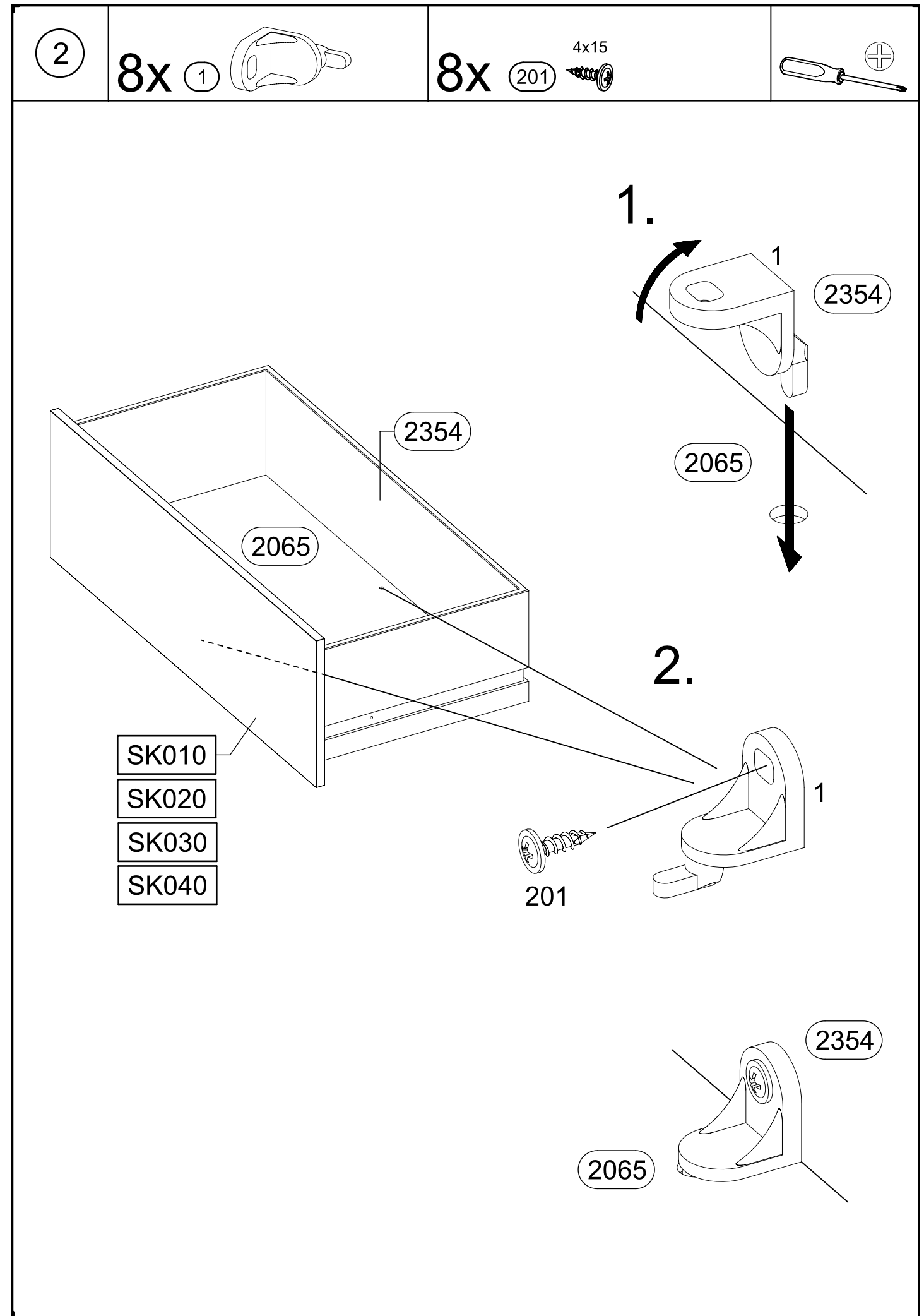
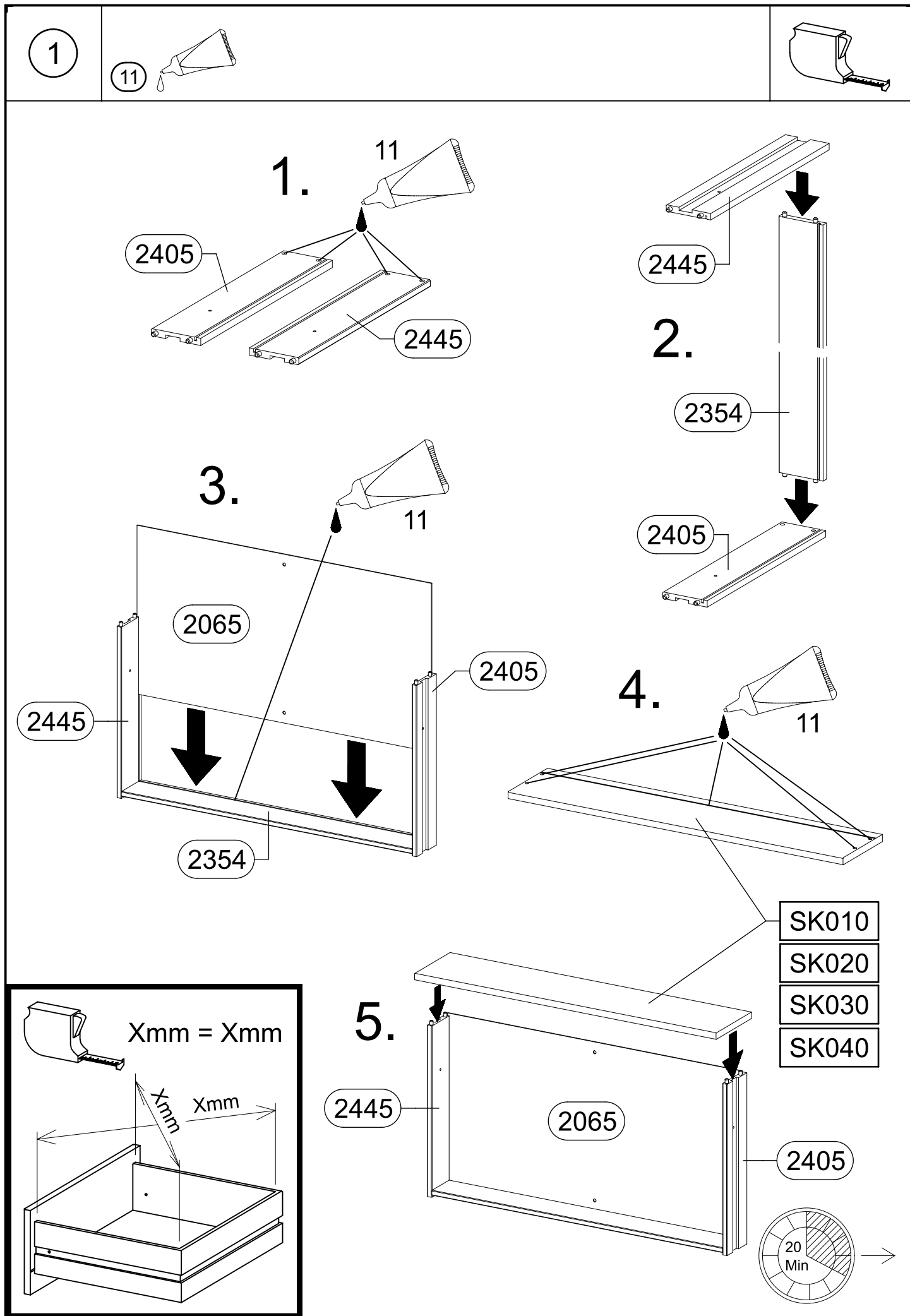




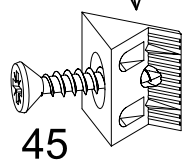
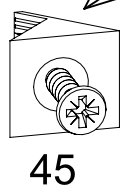
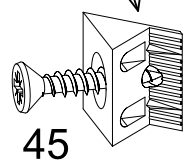
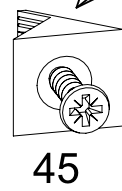
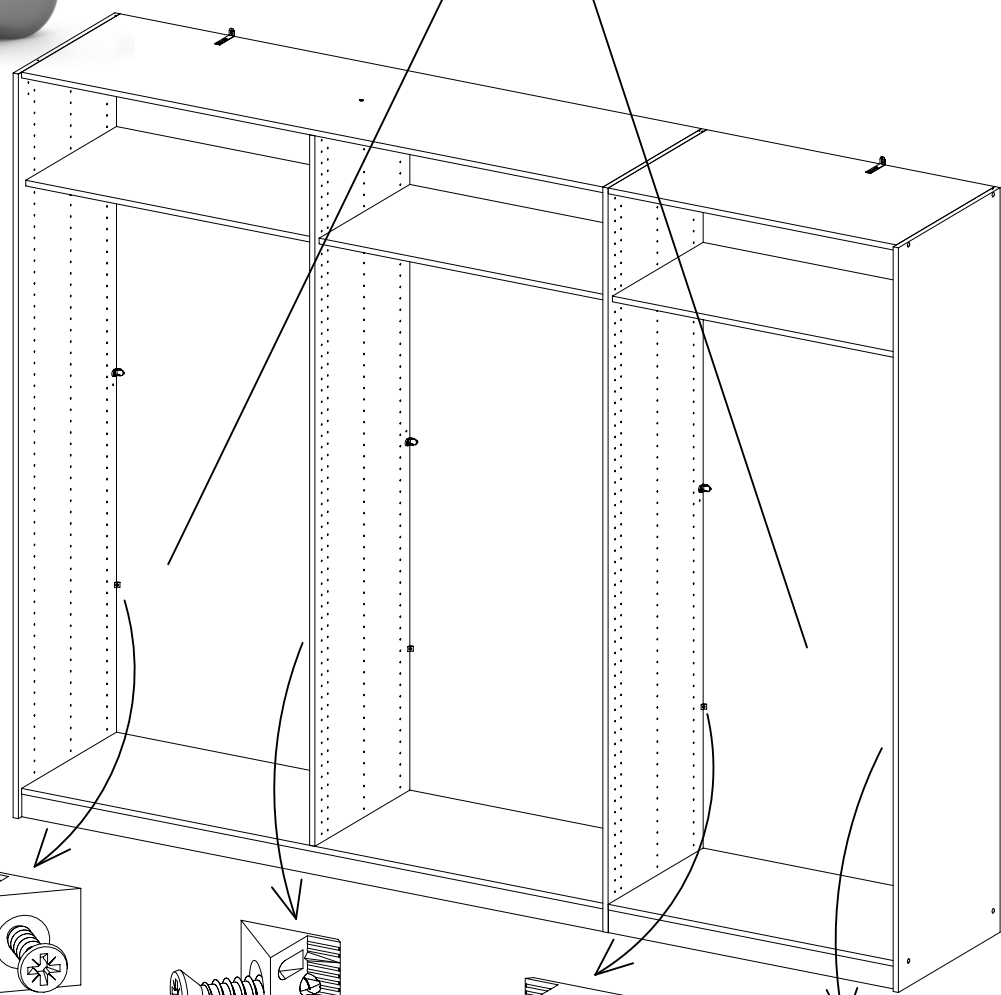
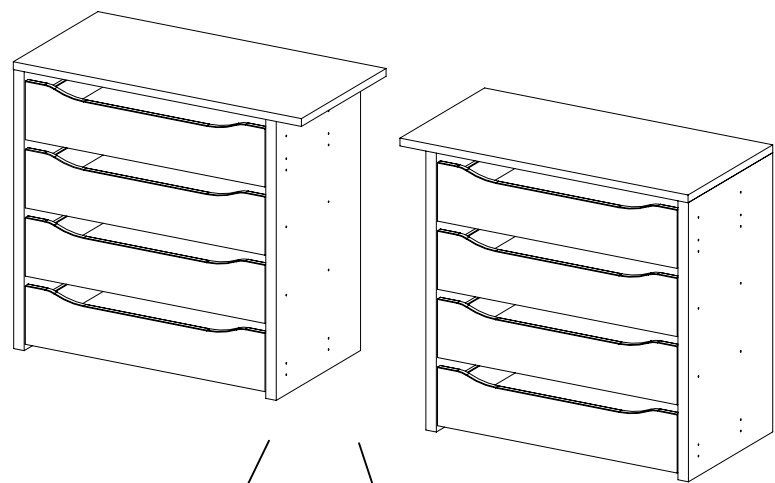
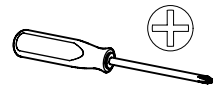
SK010 = SK020 = SK030 = SK040

<p>8x</p> <p>1</p>	<p>11</p>	<p>8x</p> <p>4x15</p> <p>201</p>
<p>4x</p> <p>220</p> <p>4x45</p>	<p>16x</p> <p>6x10,5</p> <p>227</p>	
<p>8x</p> <p>259</p> <p>342x27x9,5</p>	<p>8x</p> <p>M4x9</p> <p>568</p>	
<p>4x</p> <p>807</p>		





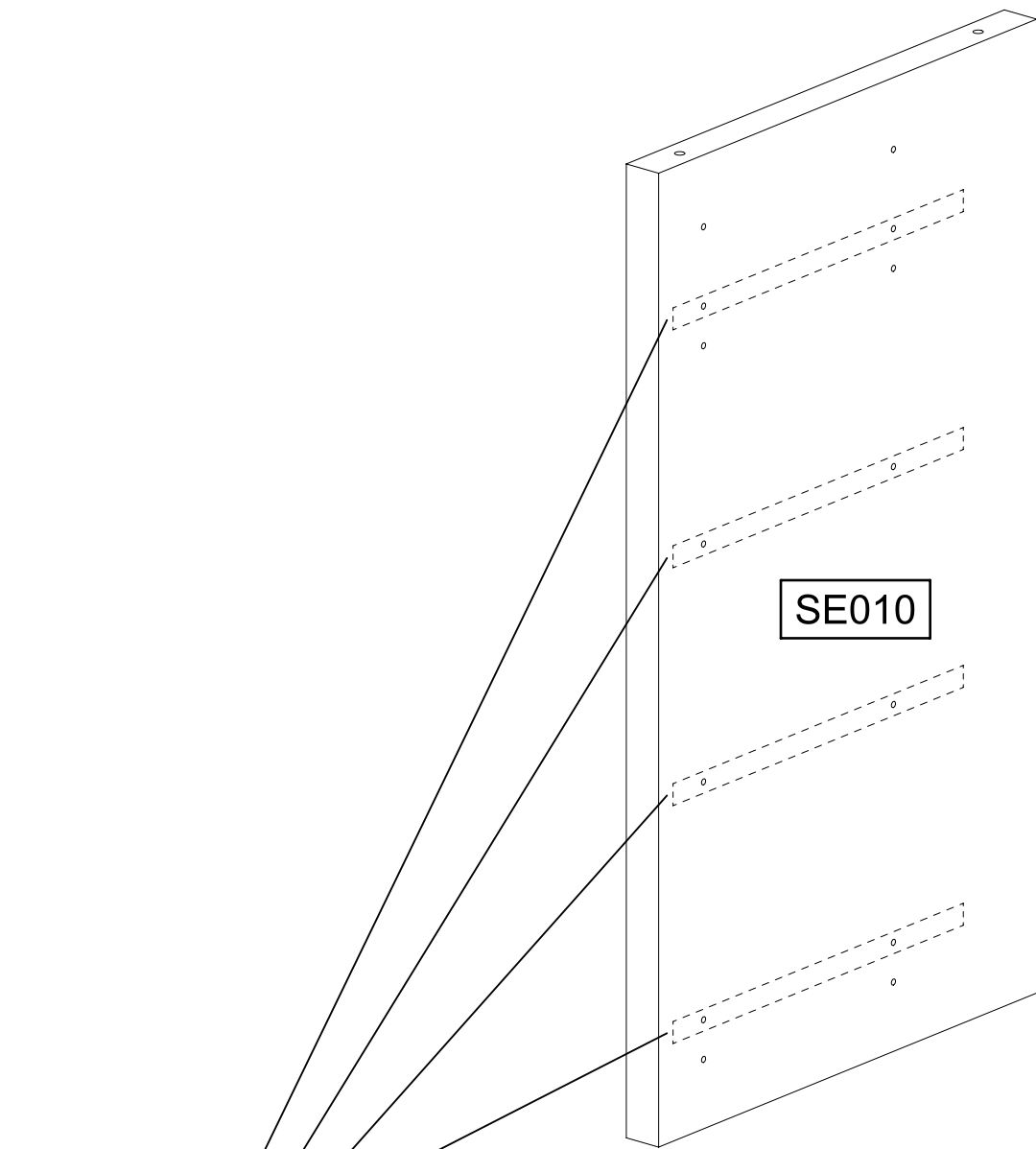
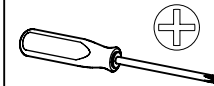
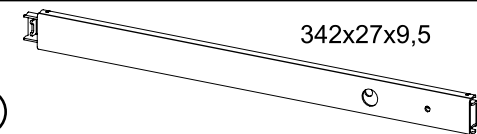
3



4

8x 227 6x10,5

4x 259



259



1. 227

259



2. 227

5

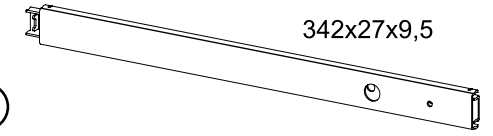
8x

227

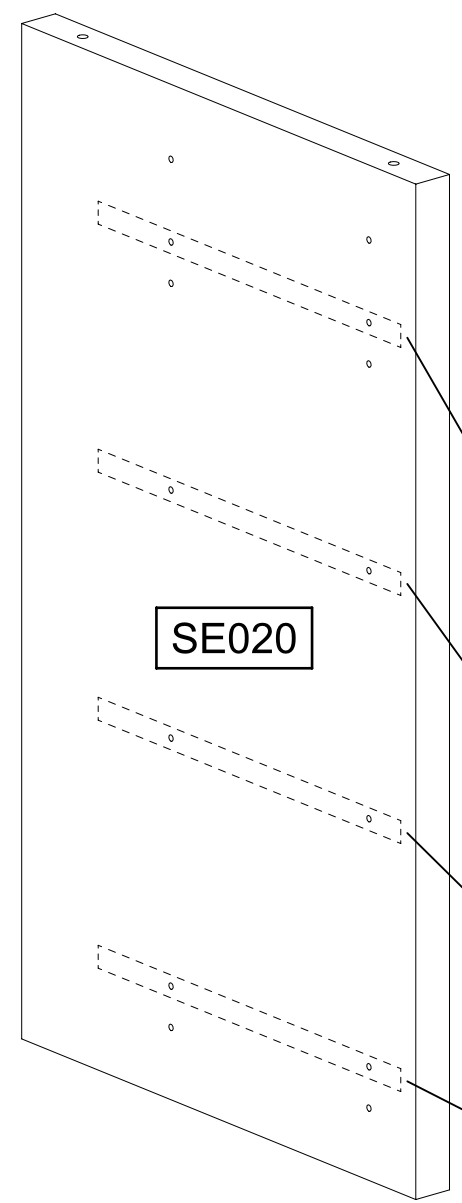
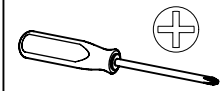
6x10,5

4x

259



342x27x9,5



SE020

259



227 1.

259



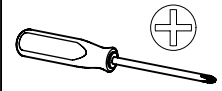
227 2.

6

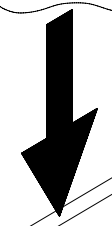
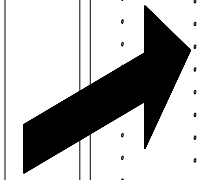
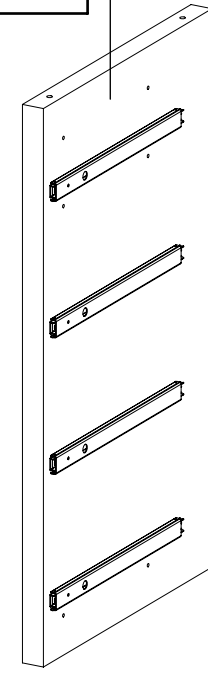
4x

220

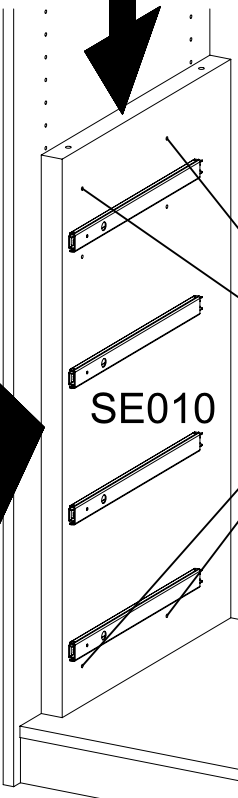
4x45



SE010



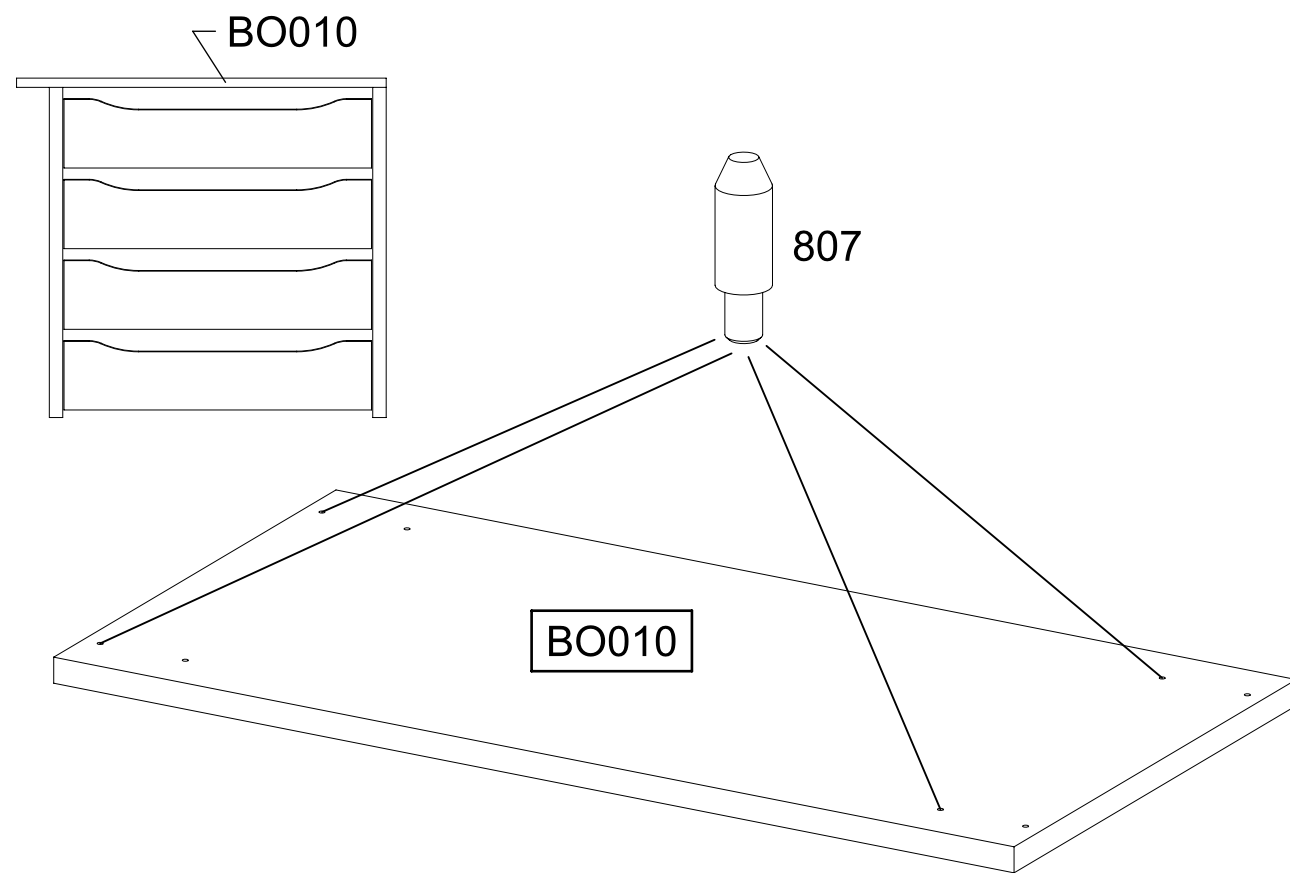
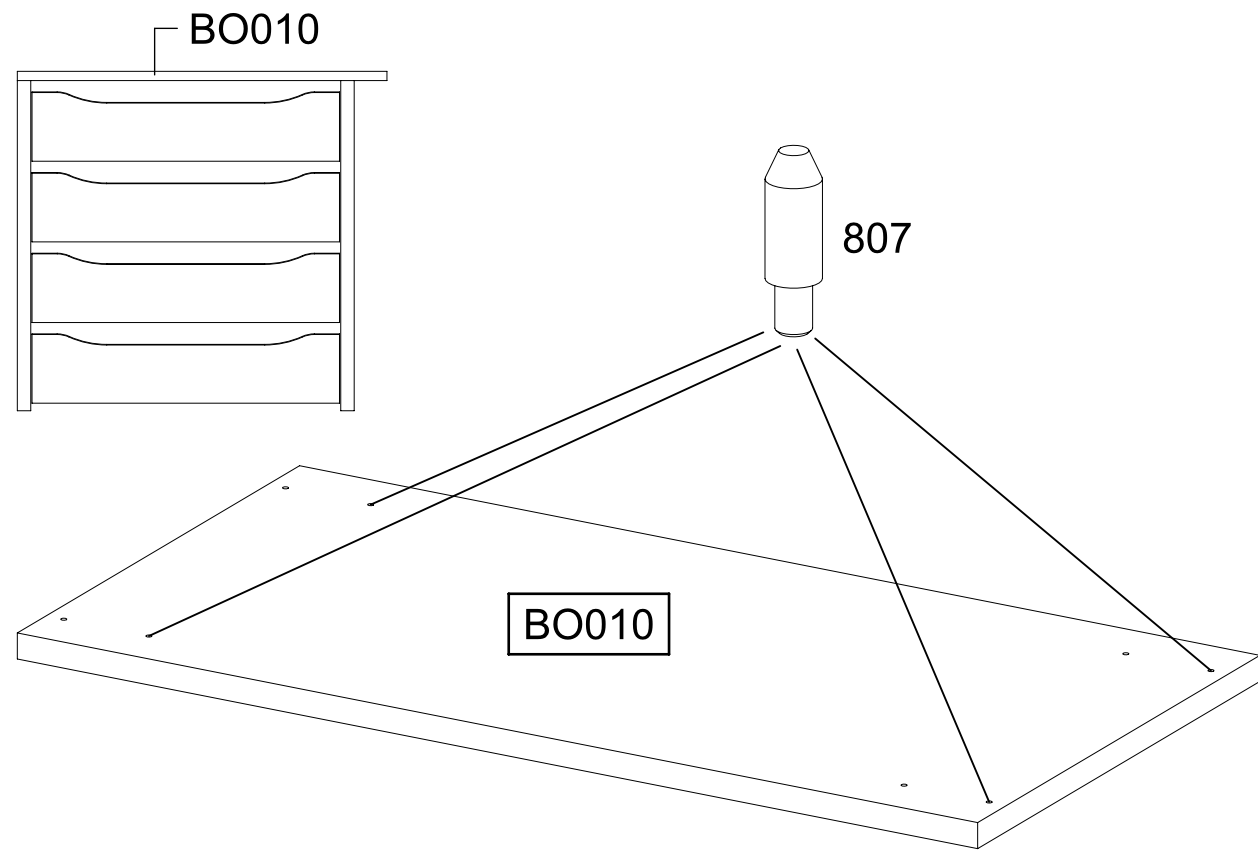
SE010



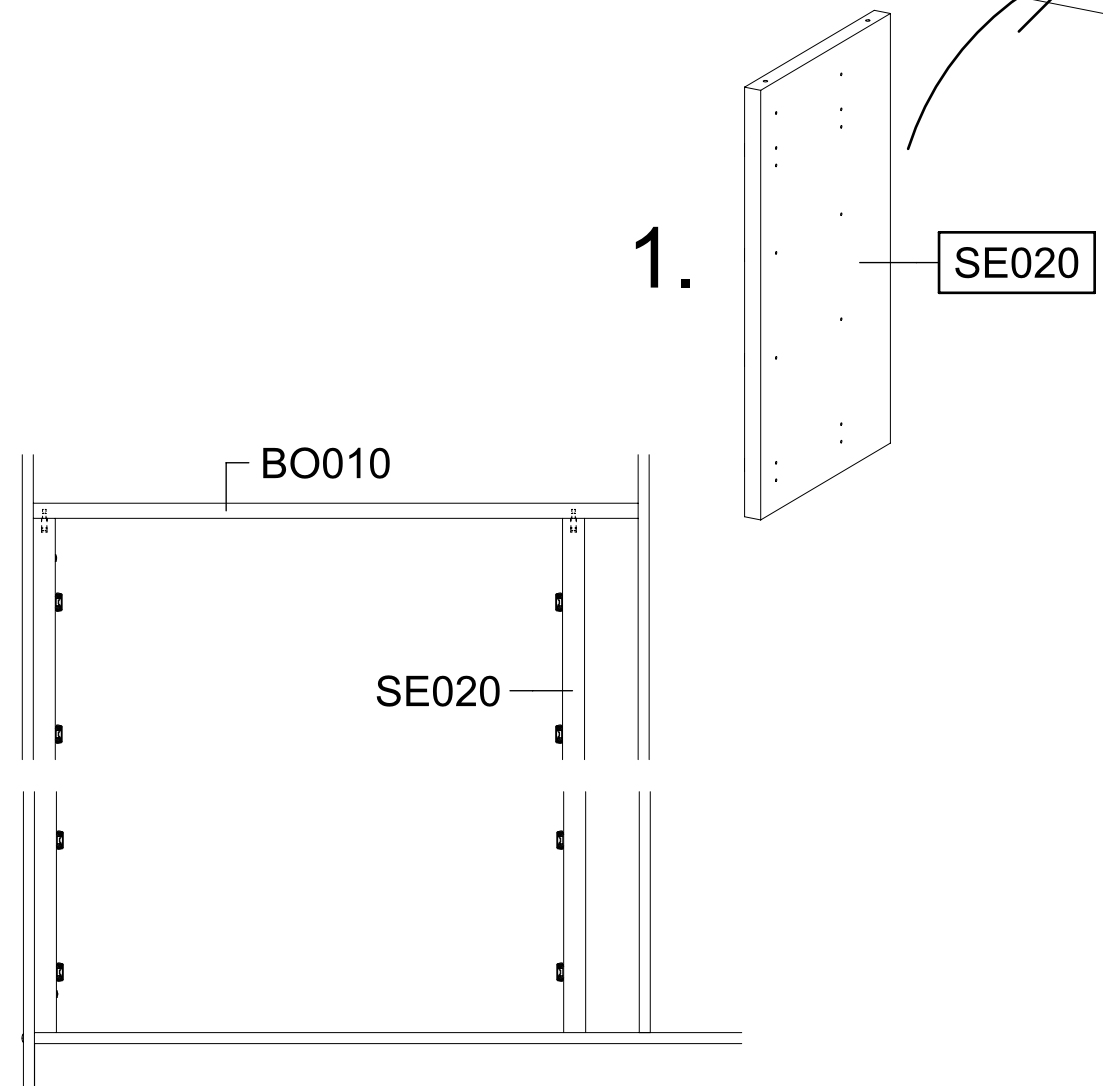
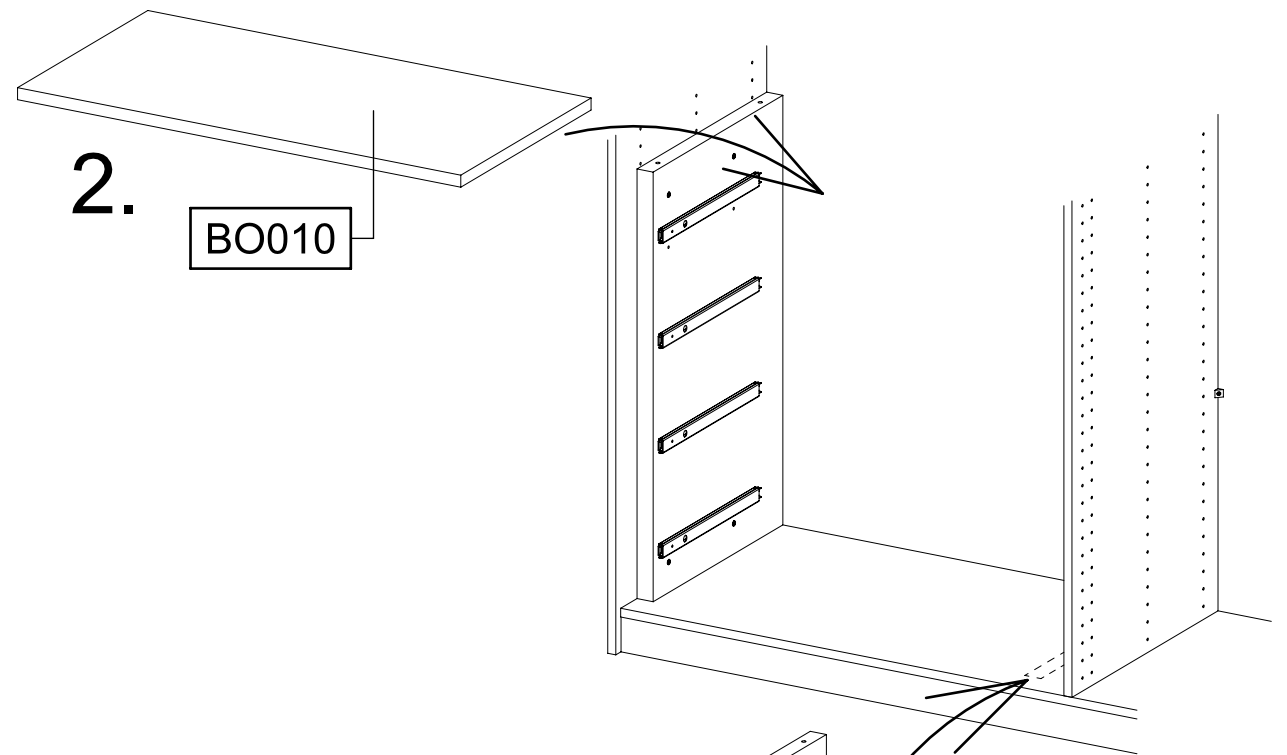
220

7

4x 807 



8

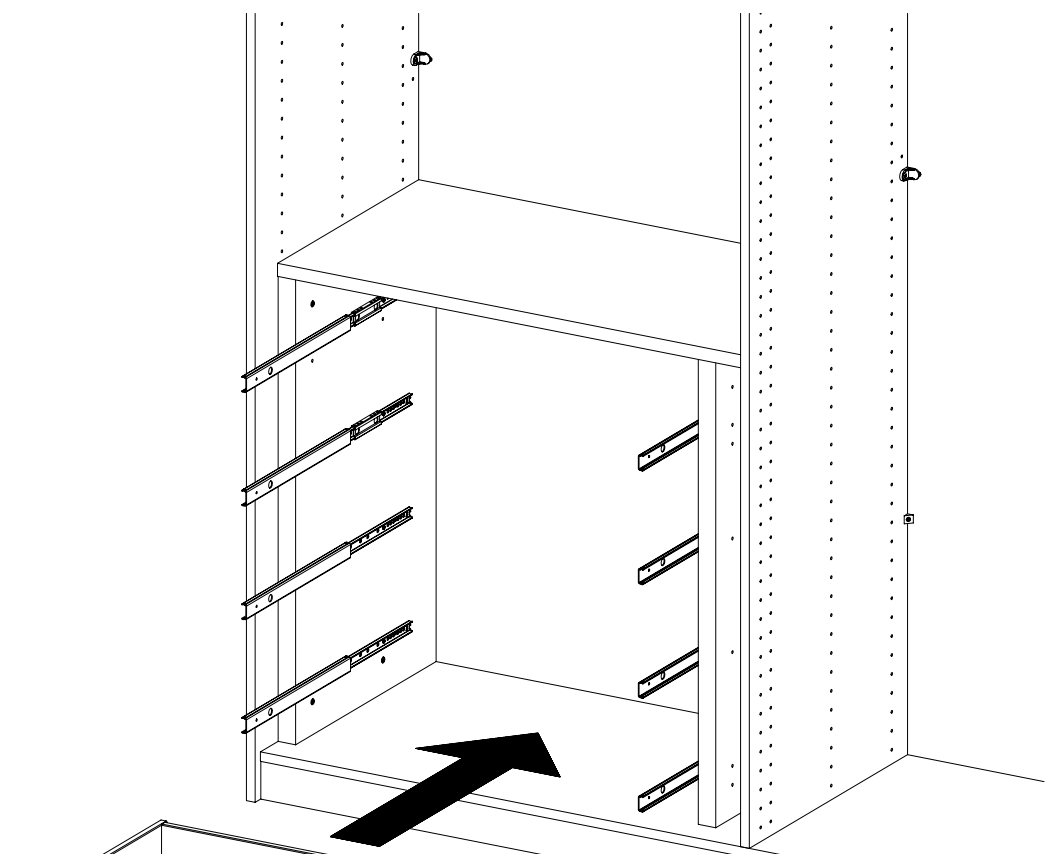
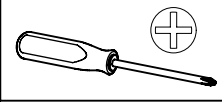


9

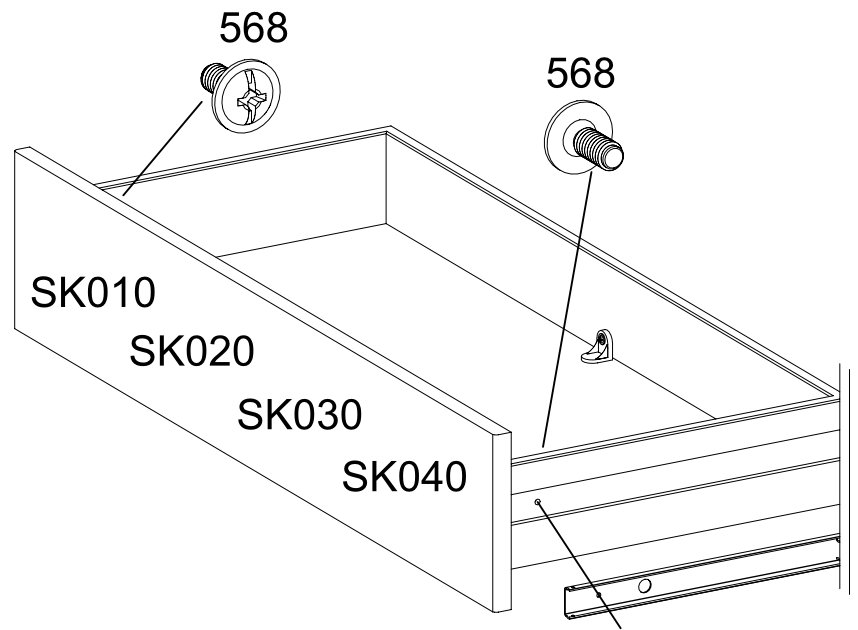
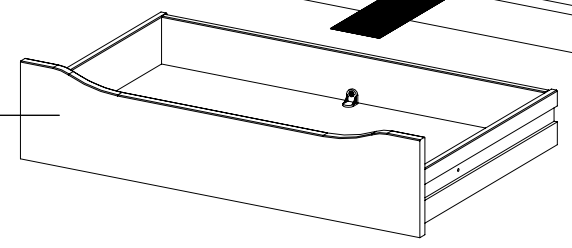
8x

568

M4x9



- SK010
- SK020
- SK030
- SK040



10

