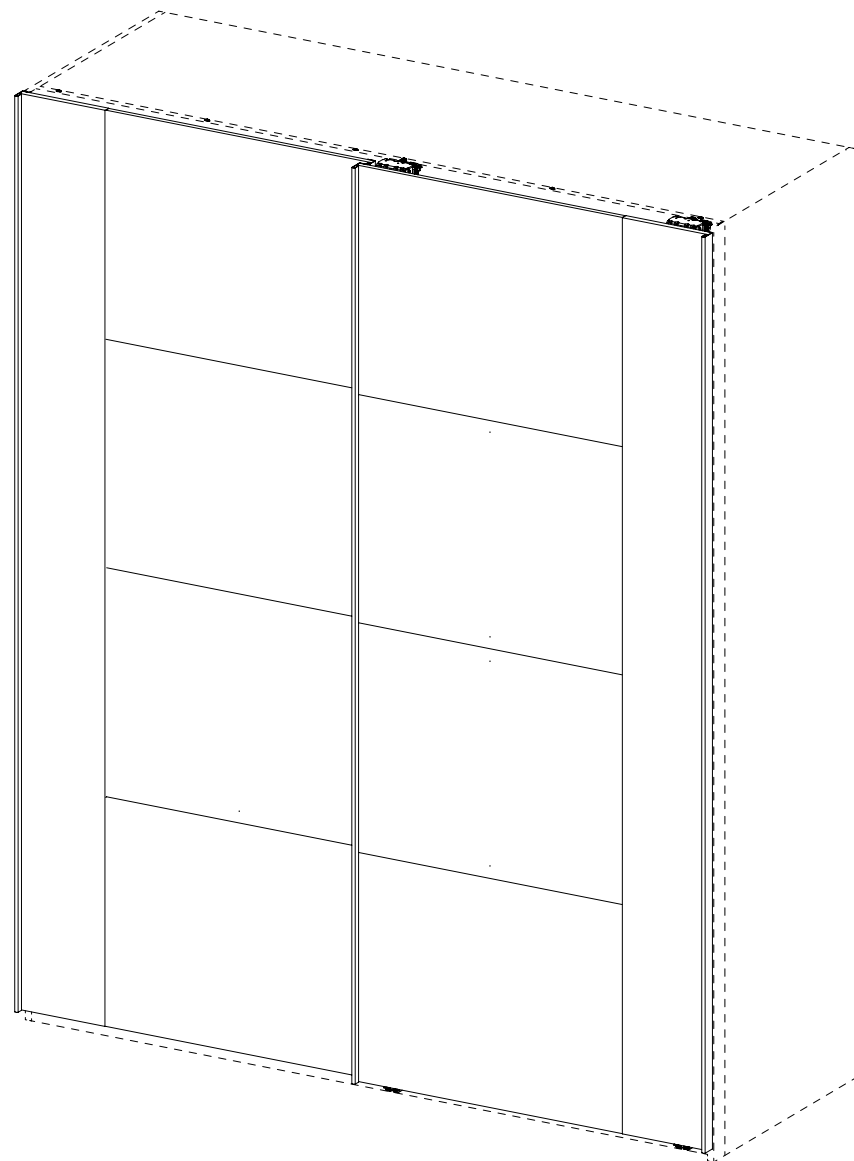
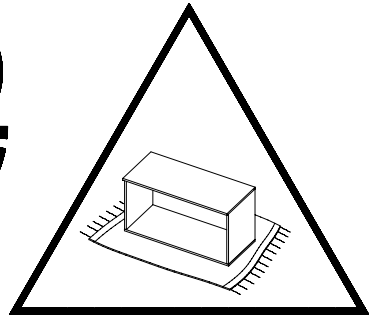
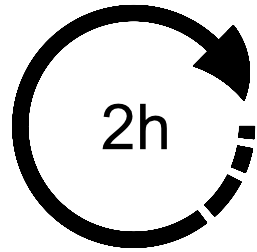
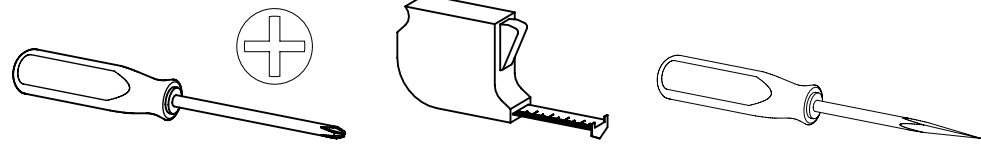


1.

MD980_02

rauch



2.

36mm

26mm

GR010

GR020

GR010

GR020

GR010

GR010

TU050

TU090

TU040

TU080

TU030

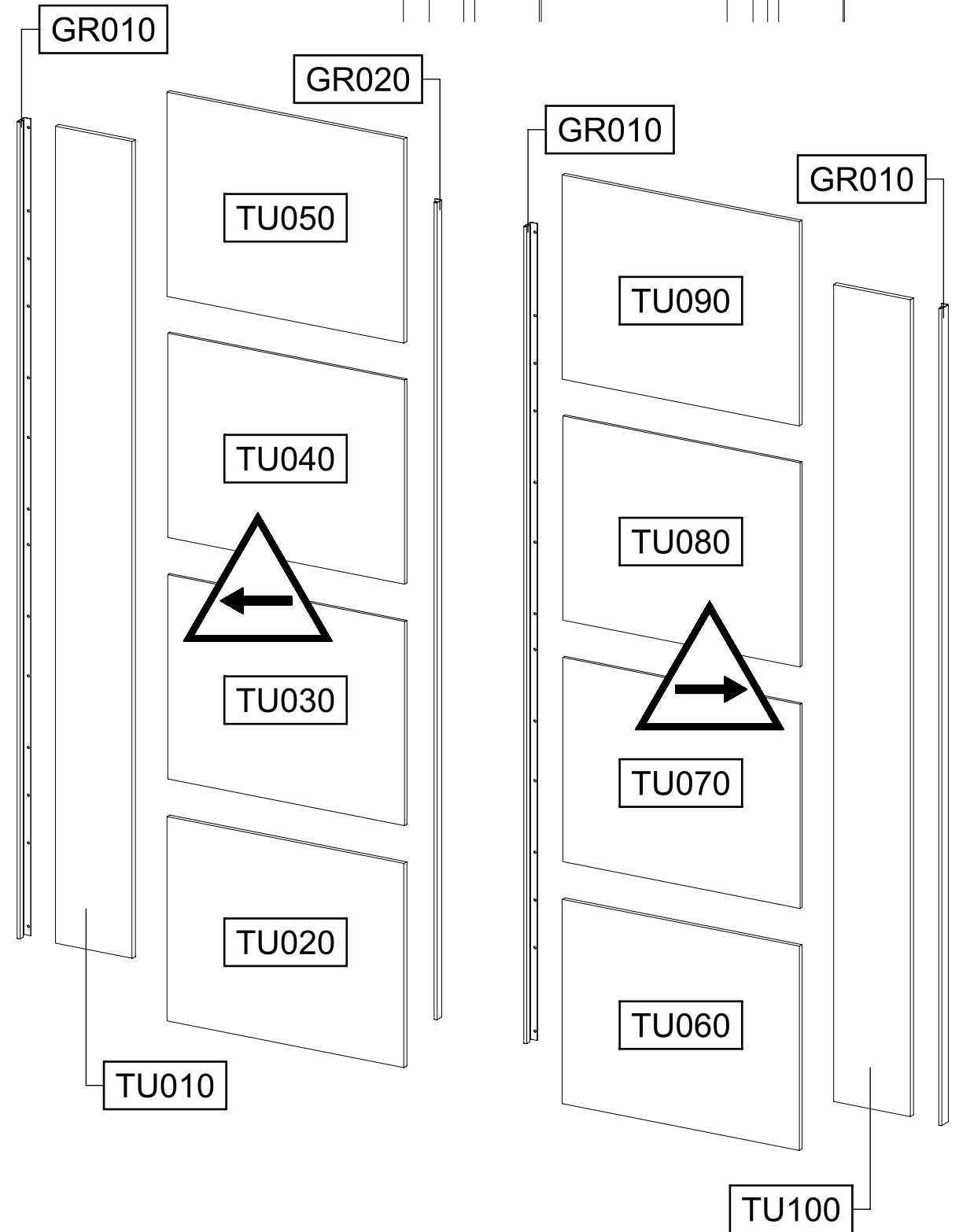
TU070

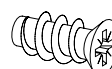
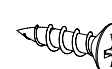
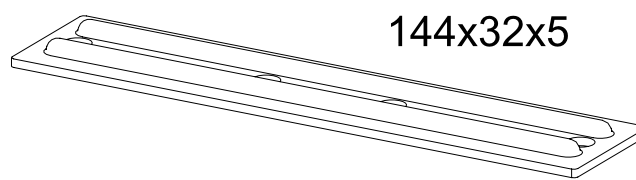
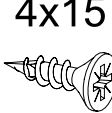
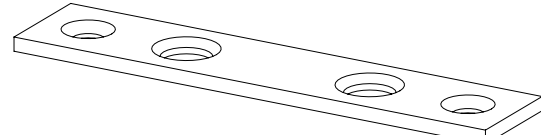
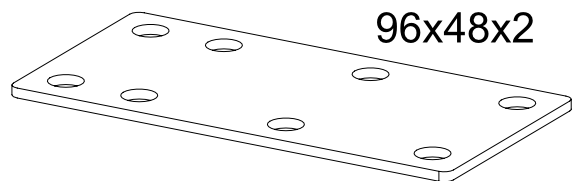
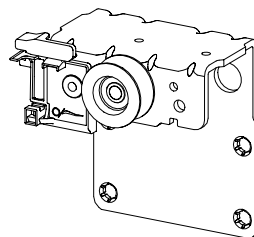
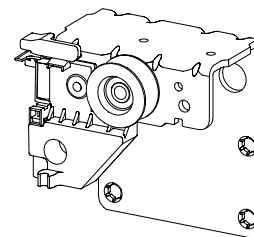
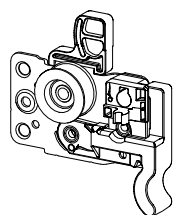
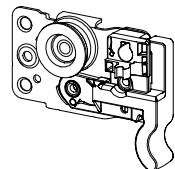
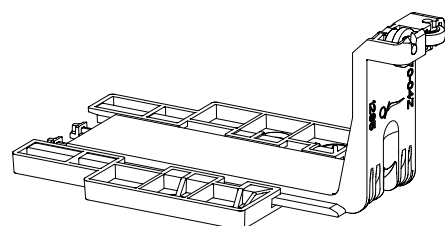
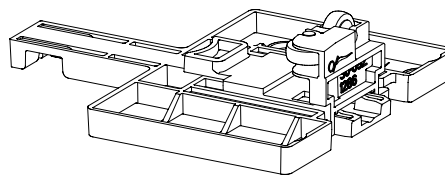
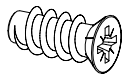
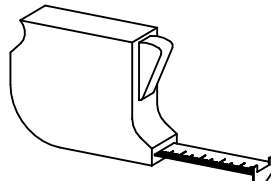
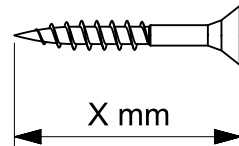
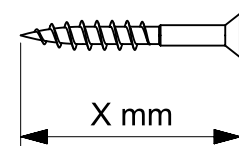
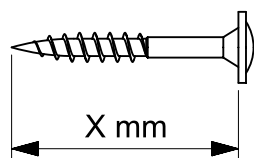
TU020

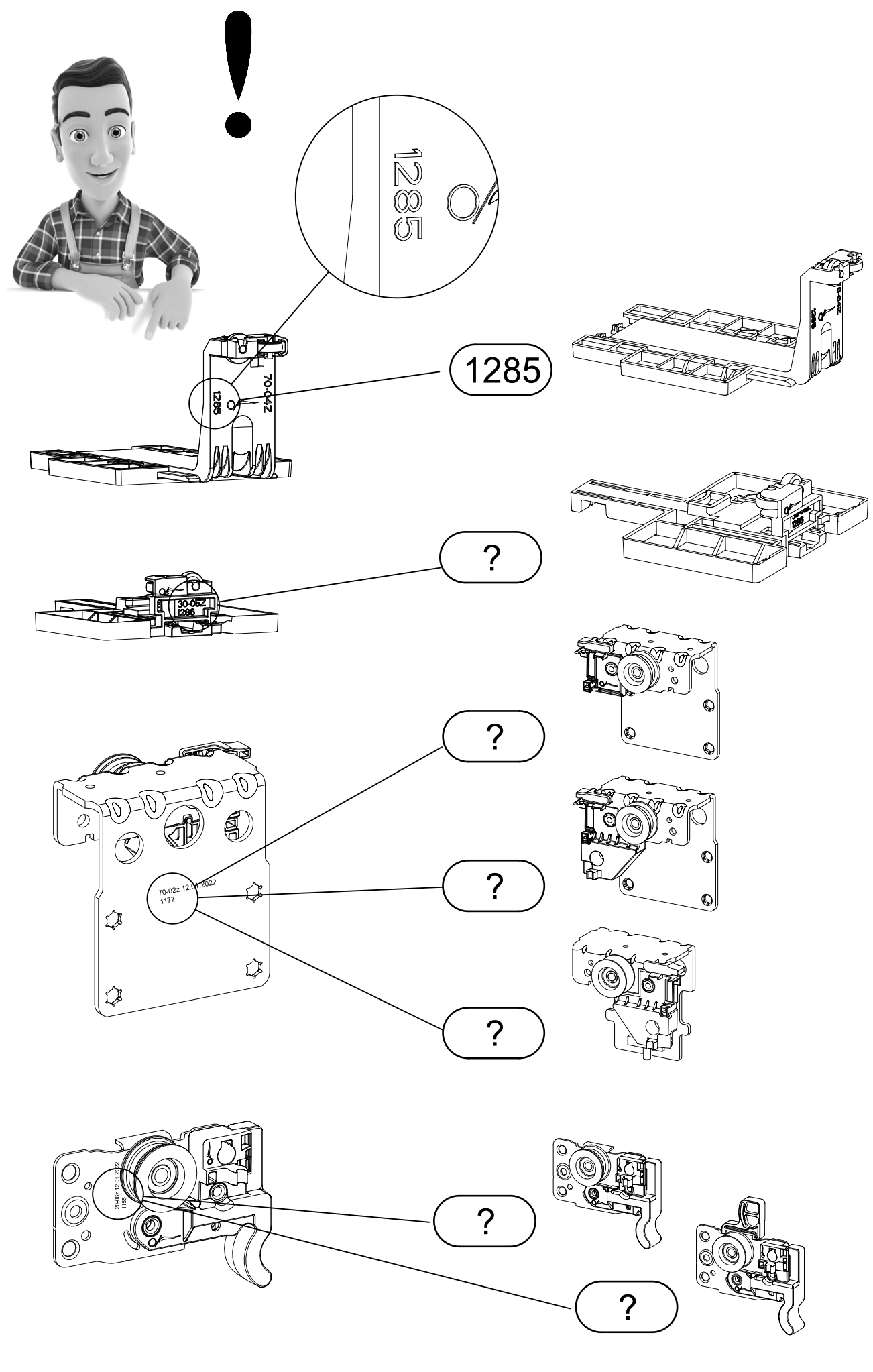
TU060

TU010

TU100

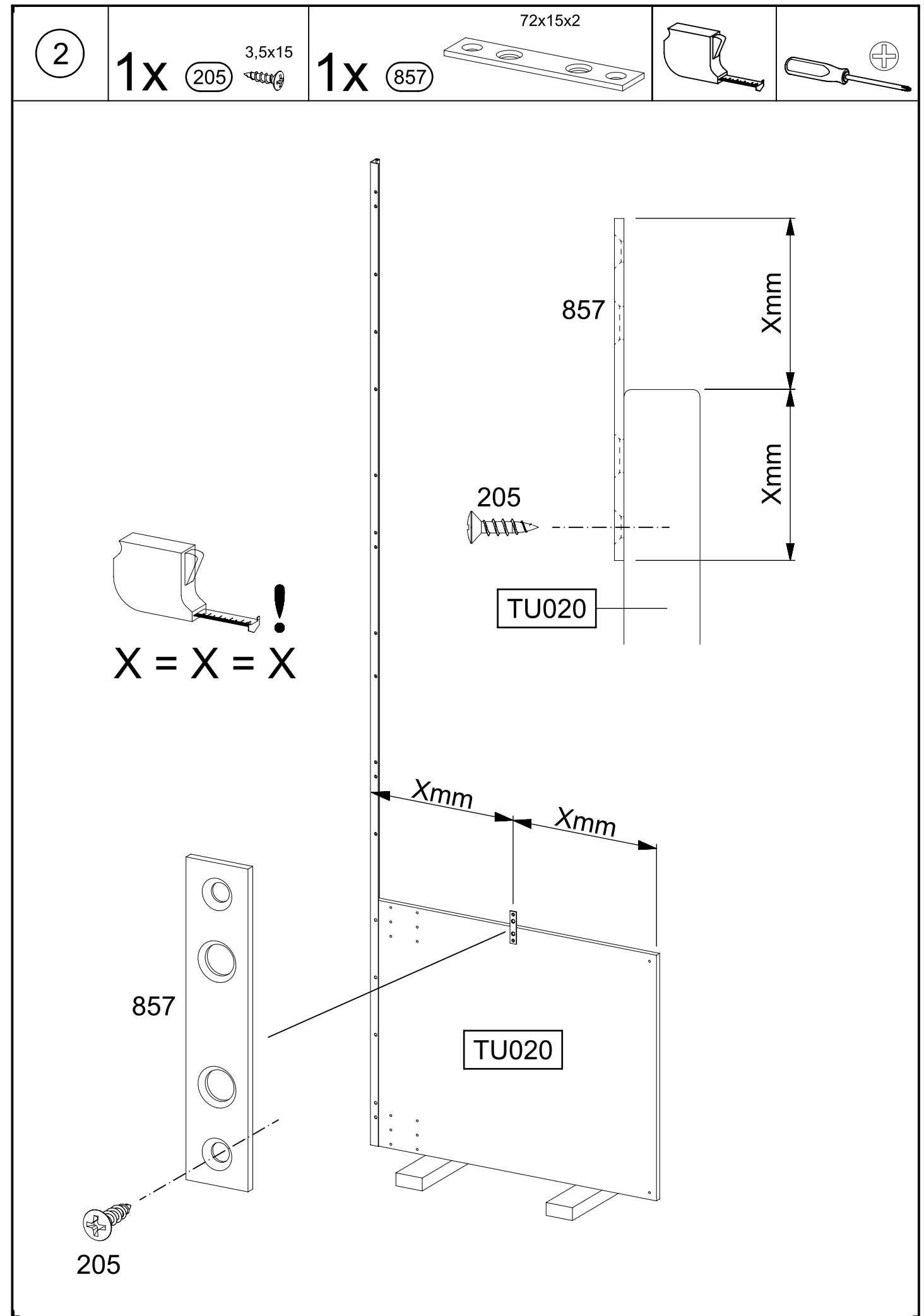
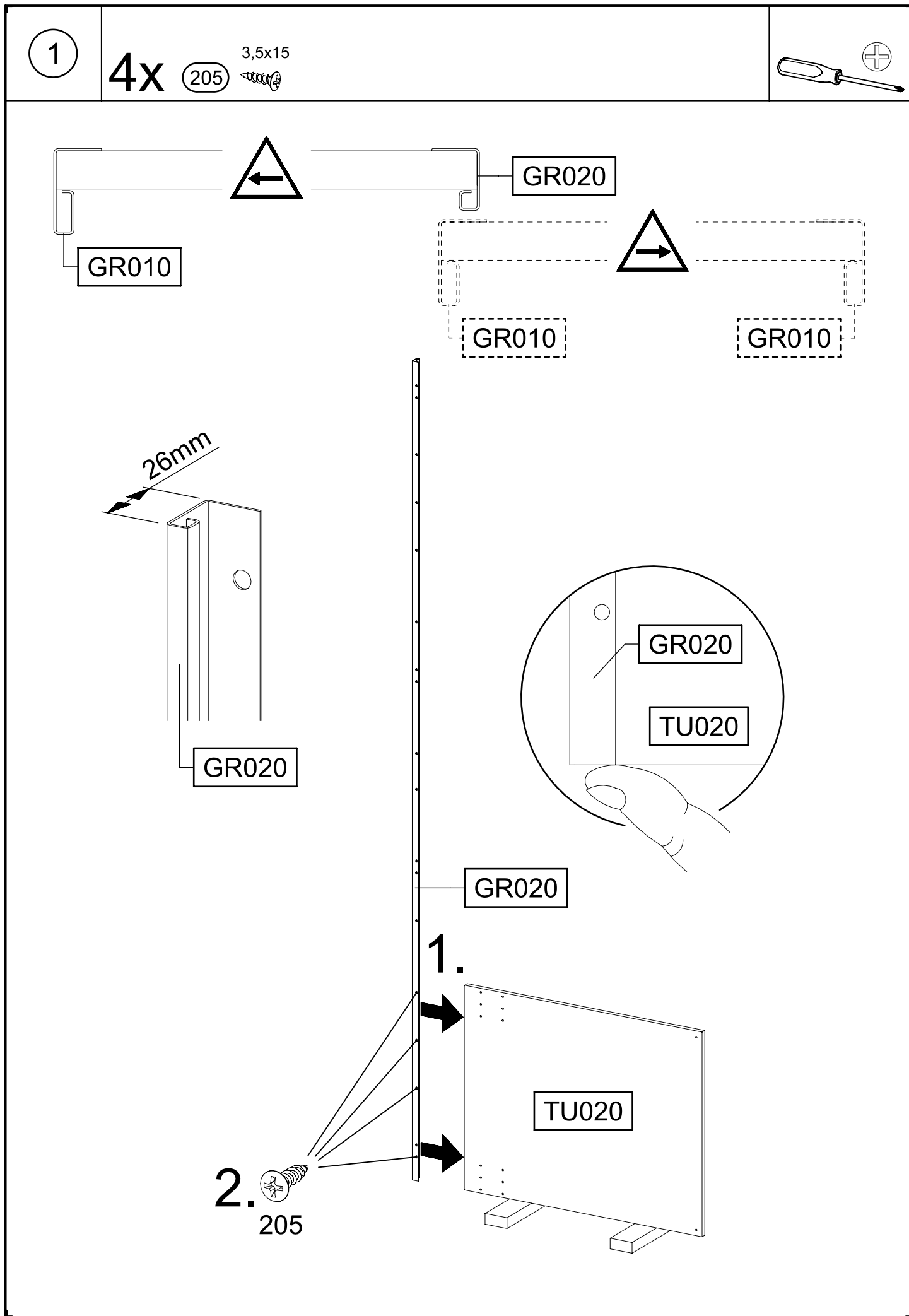


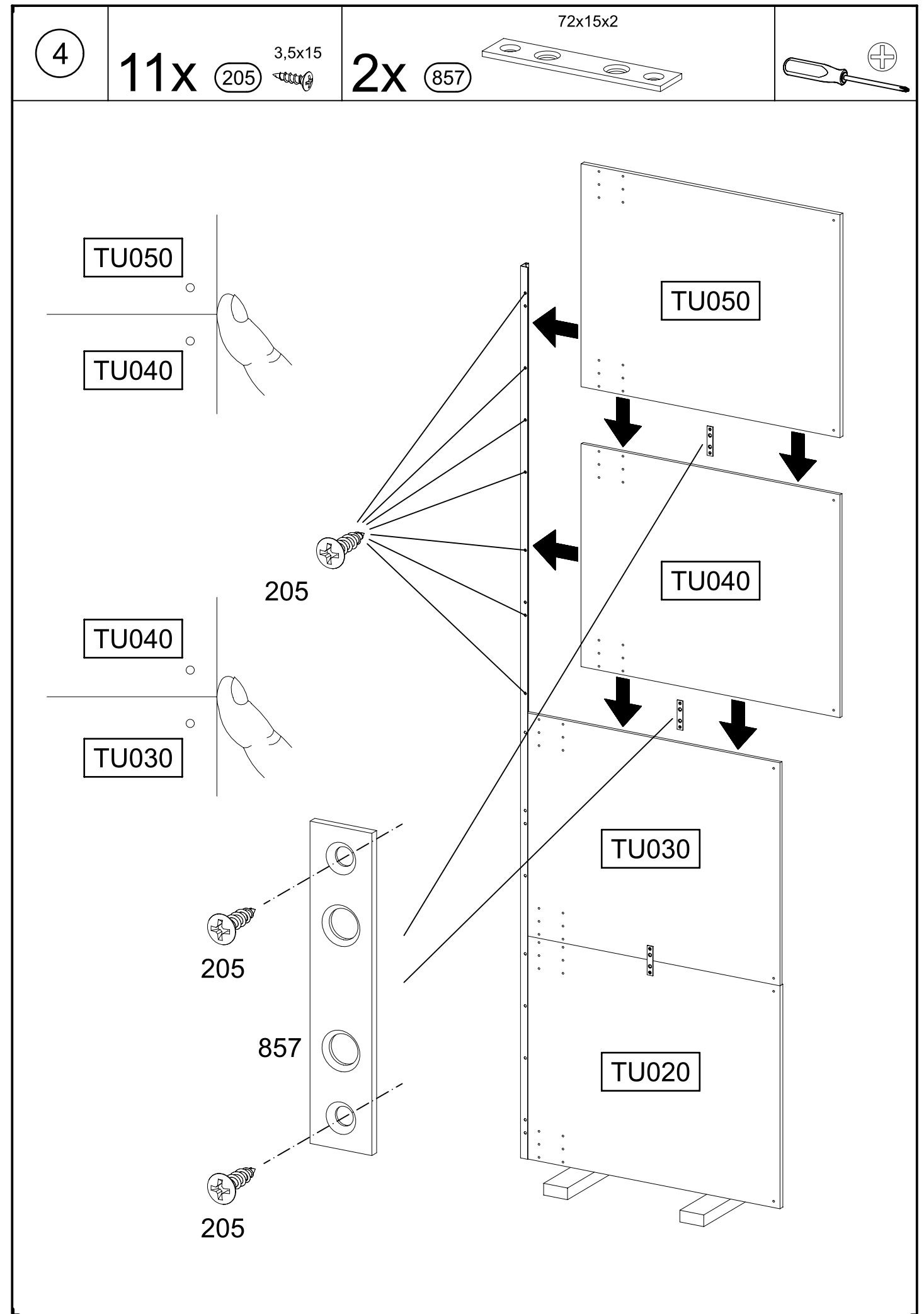
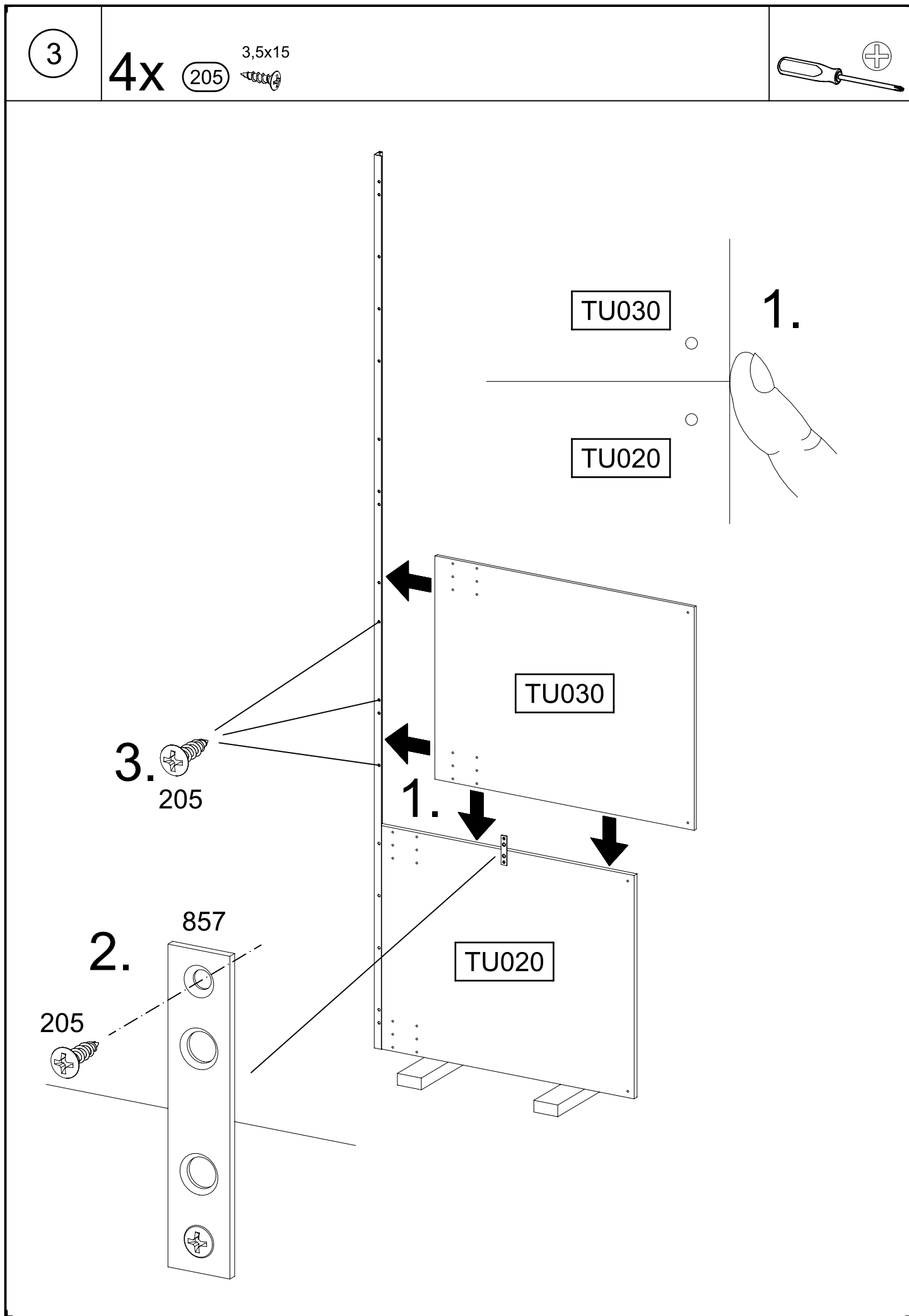
28x 6,3x13 179 		76x 3,5x15 205 	
4x 651  144x32x5		36x 836  4x15	
6x 857  72x15x2			
6x 947  96x48x2			
1x 1151 	1x 1152 	1x 1155 	
1x 1156 	2x 1285 		
2x 1286 		24x 6,3x14 1173 	
	 X mm	 X mm	 X mm



The diagram shows a person pointing to a central assembly. Callouts include:

- 1285**: Points to a bracket on the top of the assembly.
- 1286**: Points to a bracket on the side of the assembly.
- 1173**: Points to a screw on the side of the assembly.
- Other callouts with question marks (**?**) point to various other components and screws in the assembly.

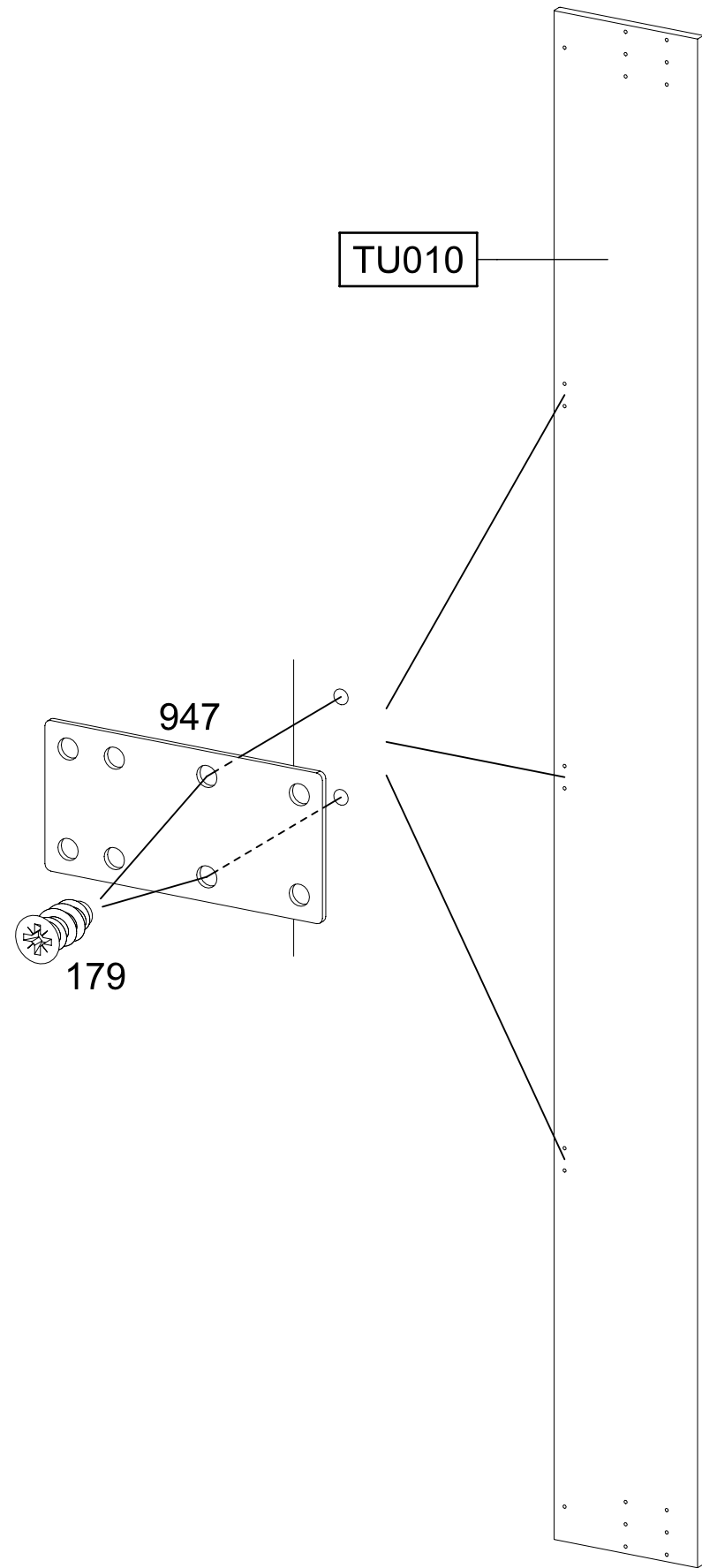
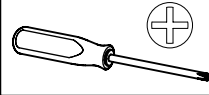
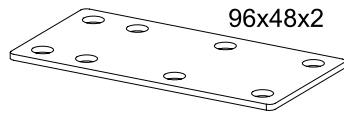




5

6x 179 6,3x13

3x 947



TU010

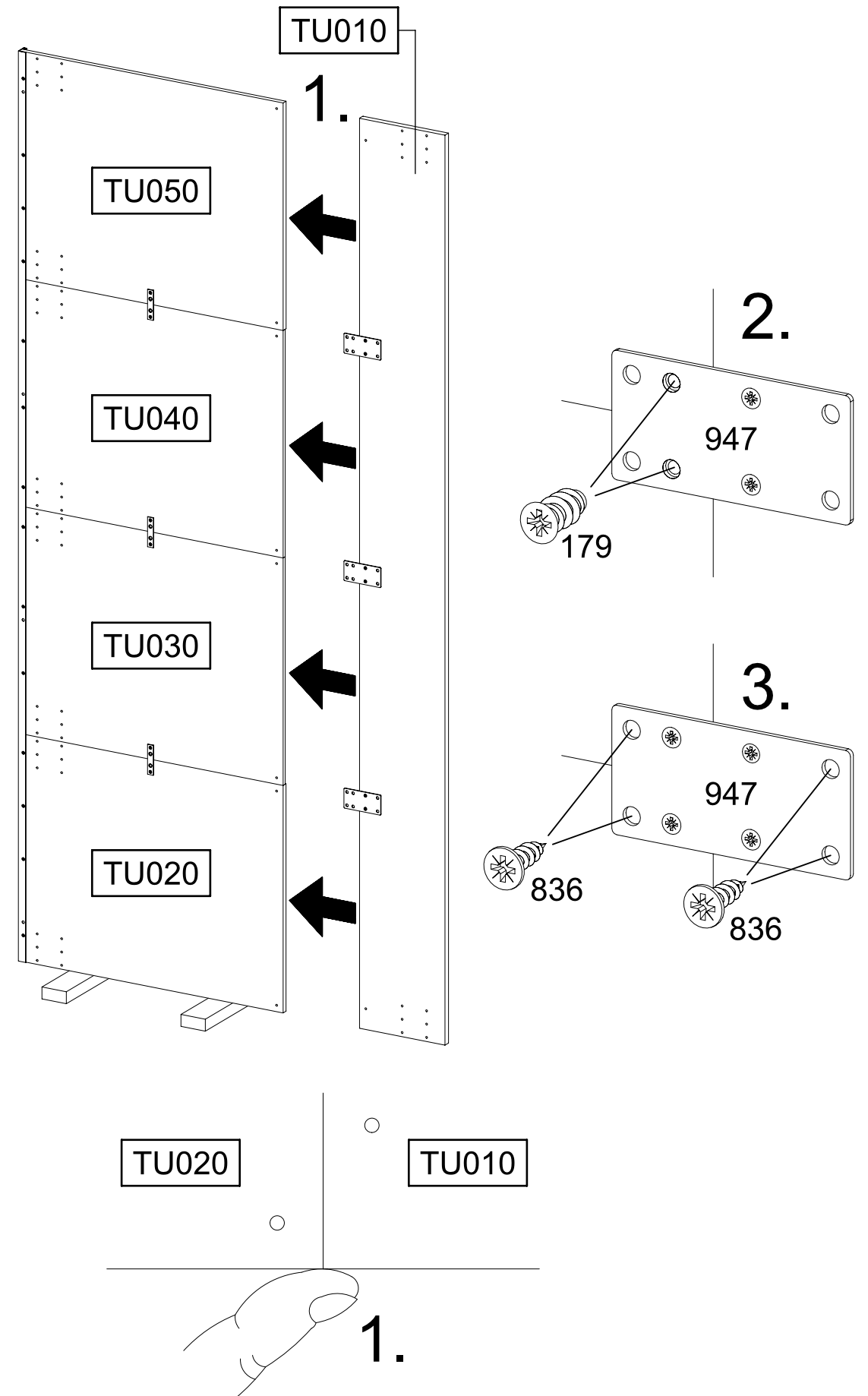
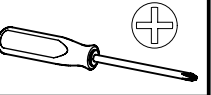
947

179

6

6x 179 6,3x13

12x 836 4x15



TU010

1.

TU050

TU040

TU030

TU020

2.

947

179

3.

947

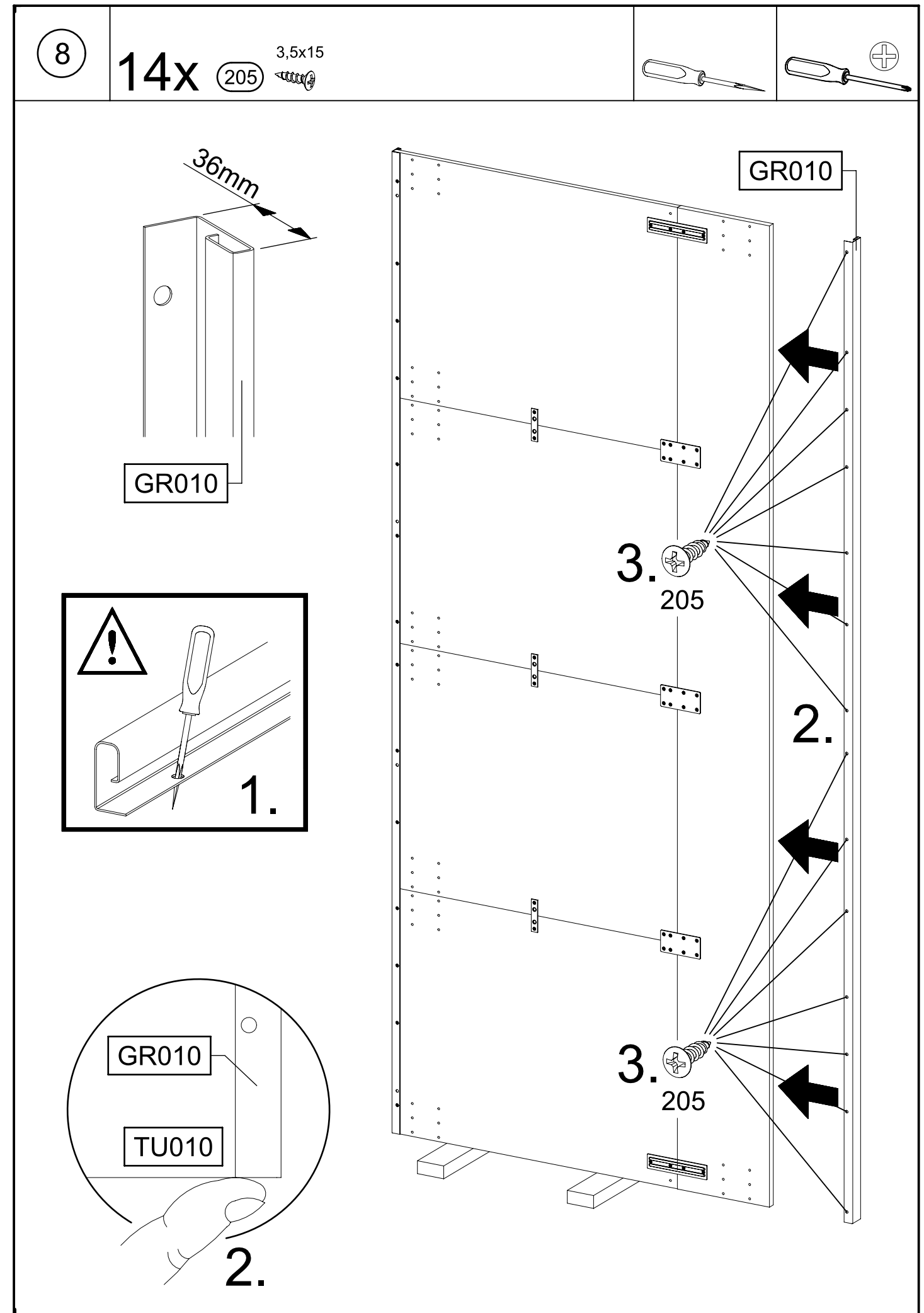
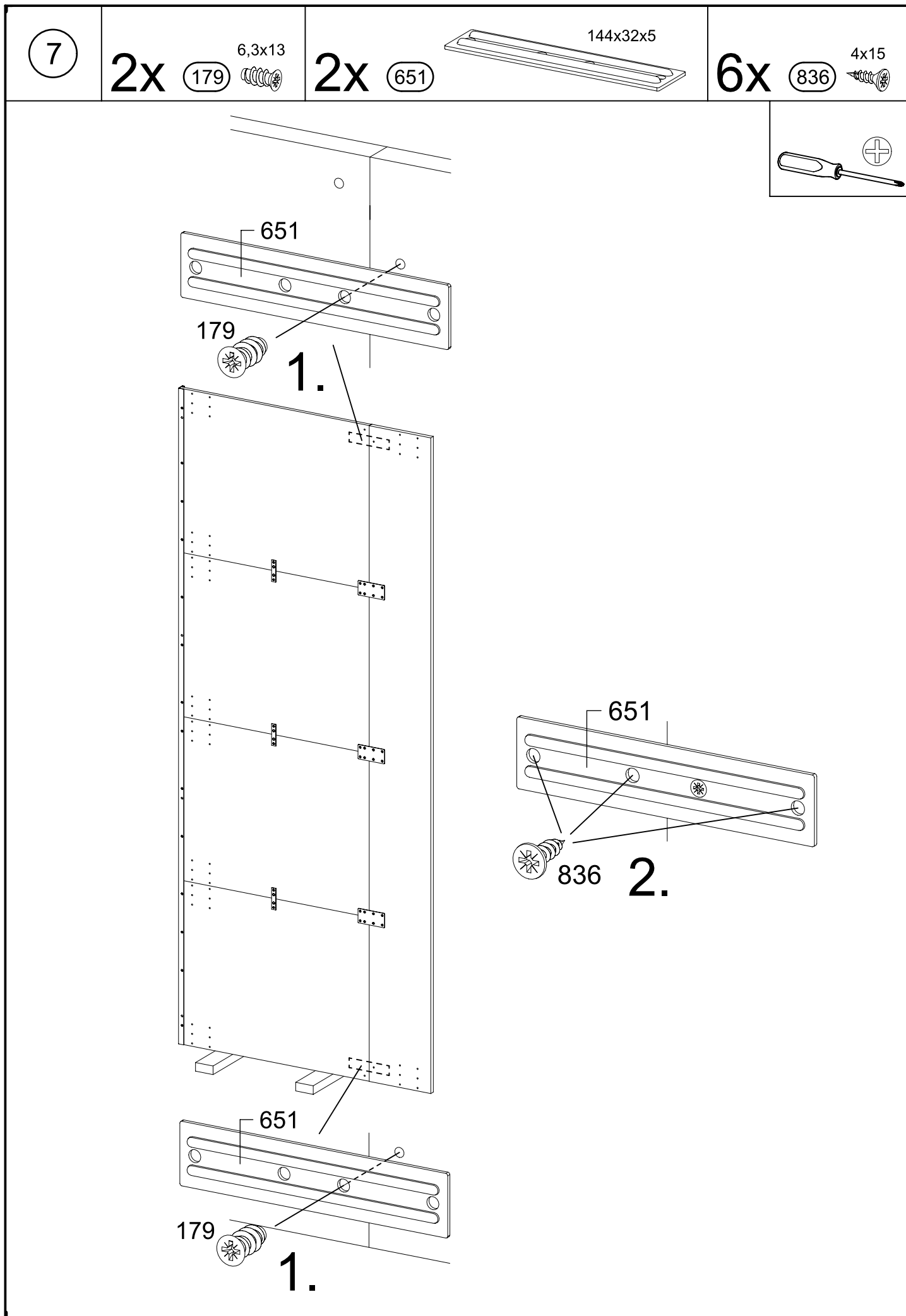
836

836

TU020

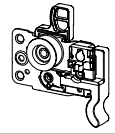
TU010

1.

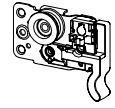


9

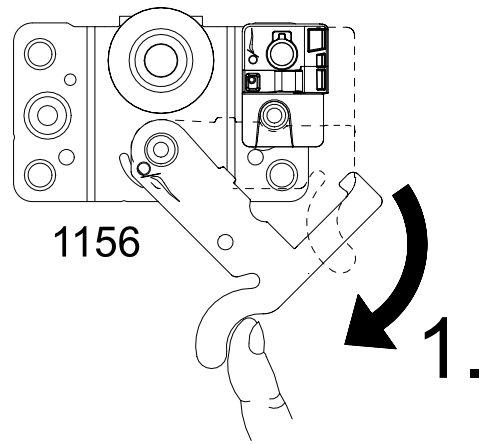
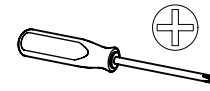
1x 1155



1x 1156

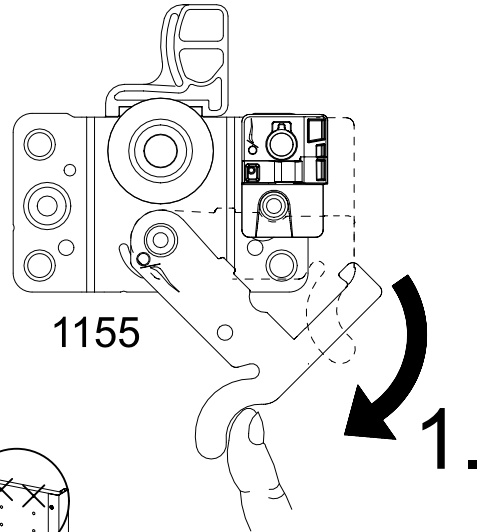


8x 1173 6,3x14



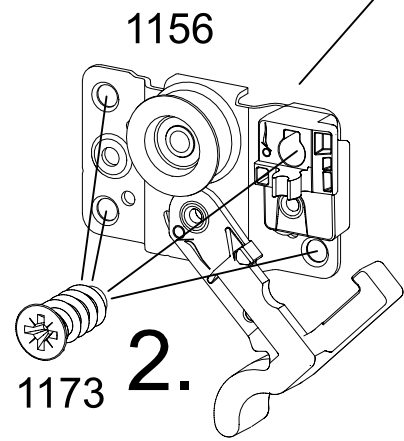
1156

1.



1155

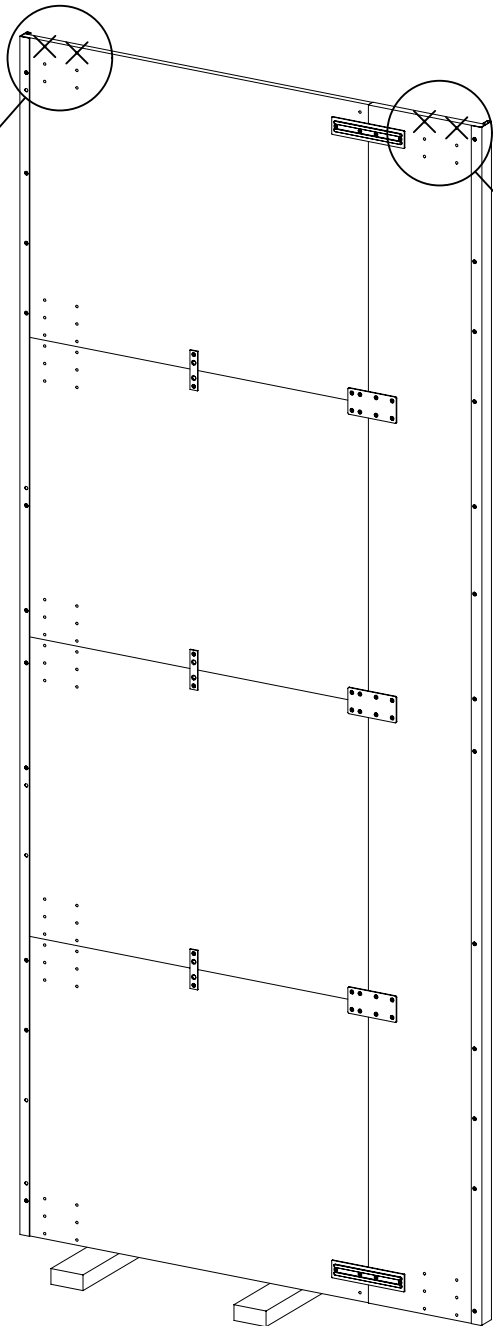
1.



1156

1173

2.



1155

1173

2.

10

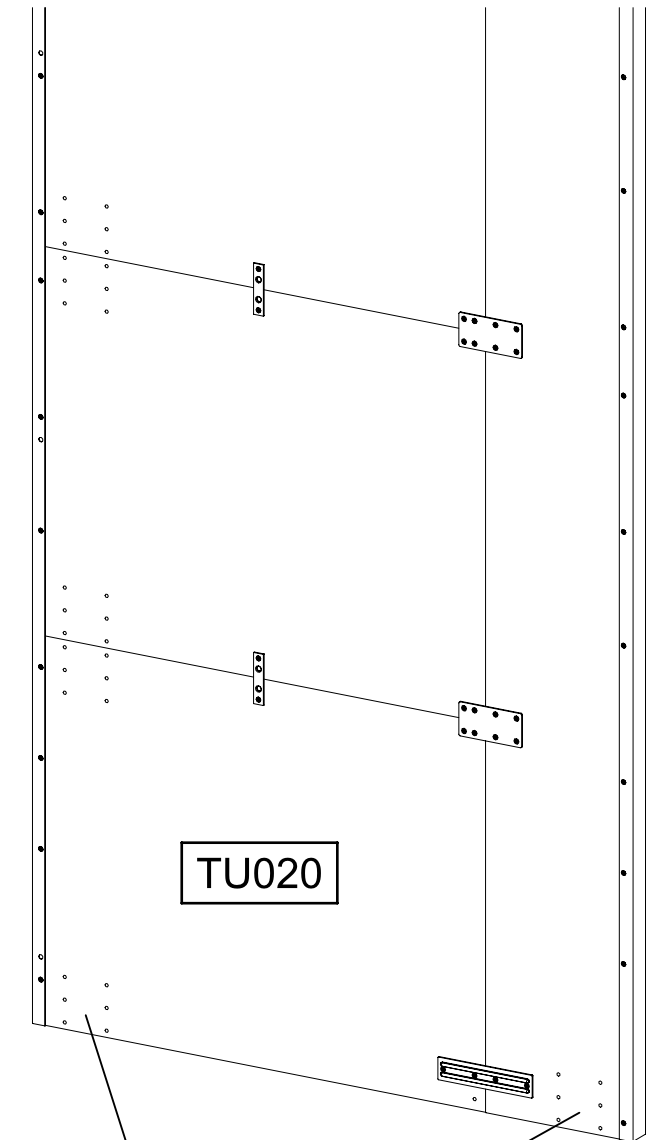
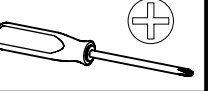
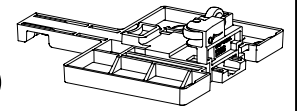
4x 205



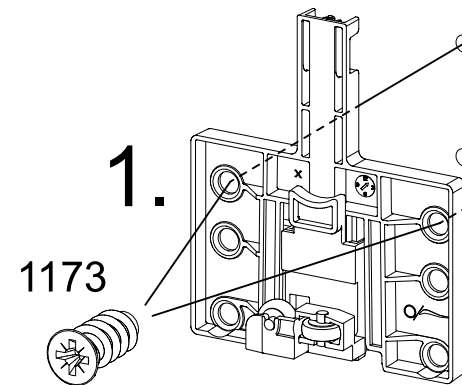
4x 1173



2x 1286



TU020



1.

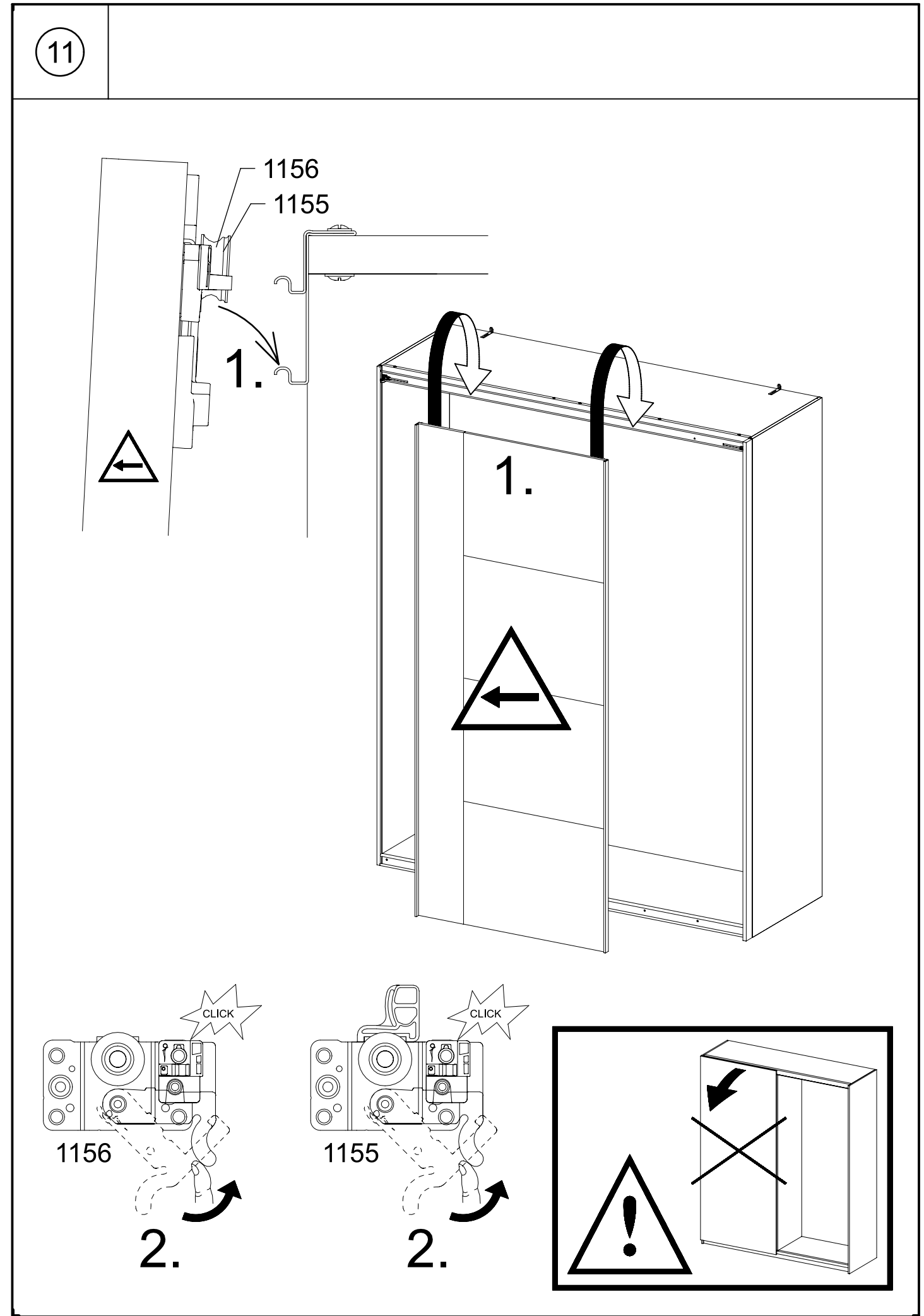
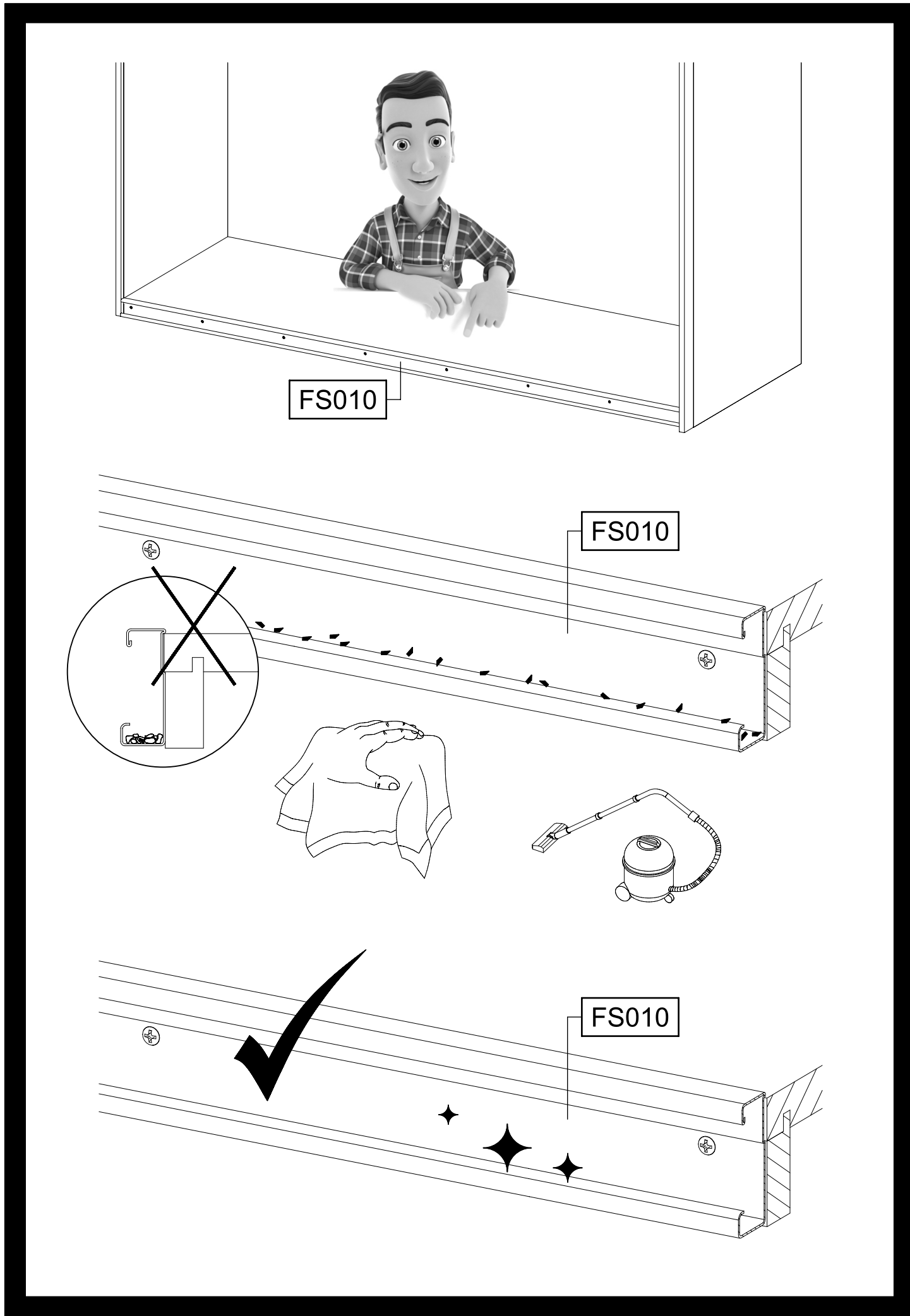
1173

1286

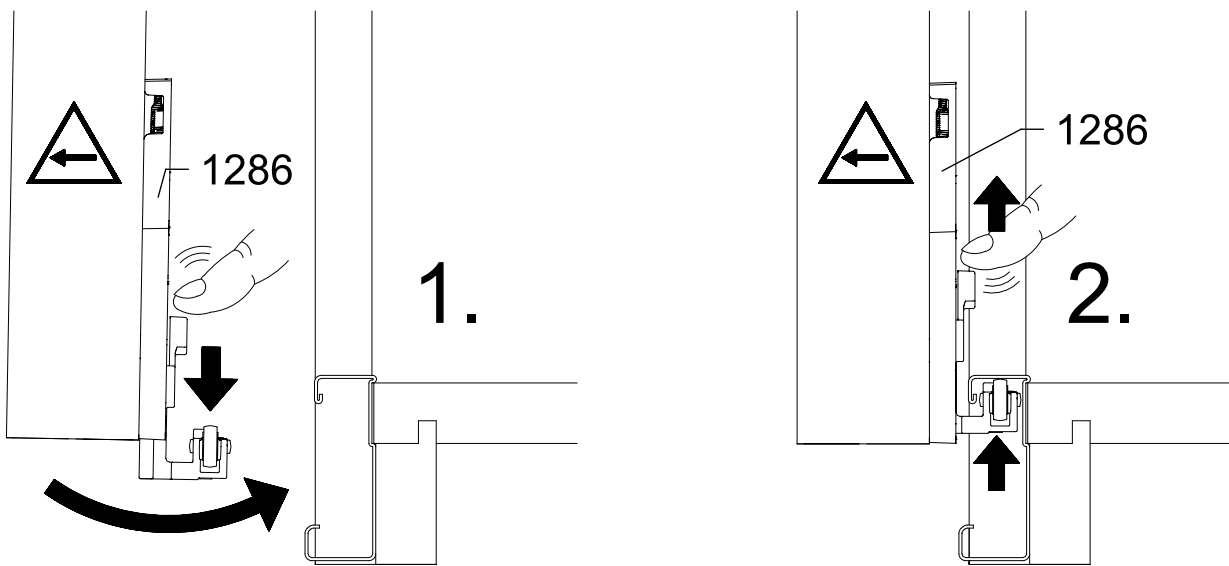
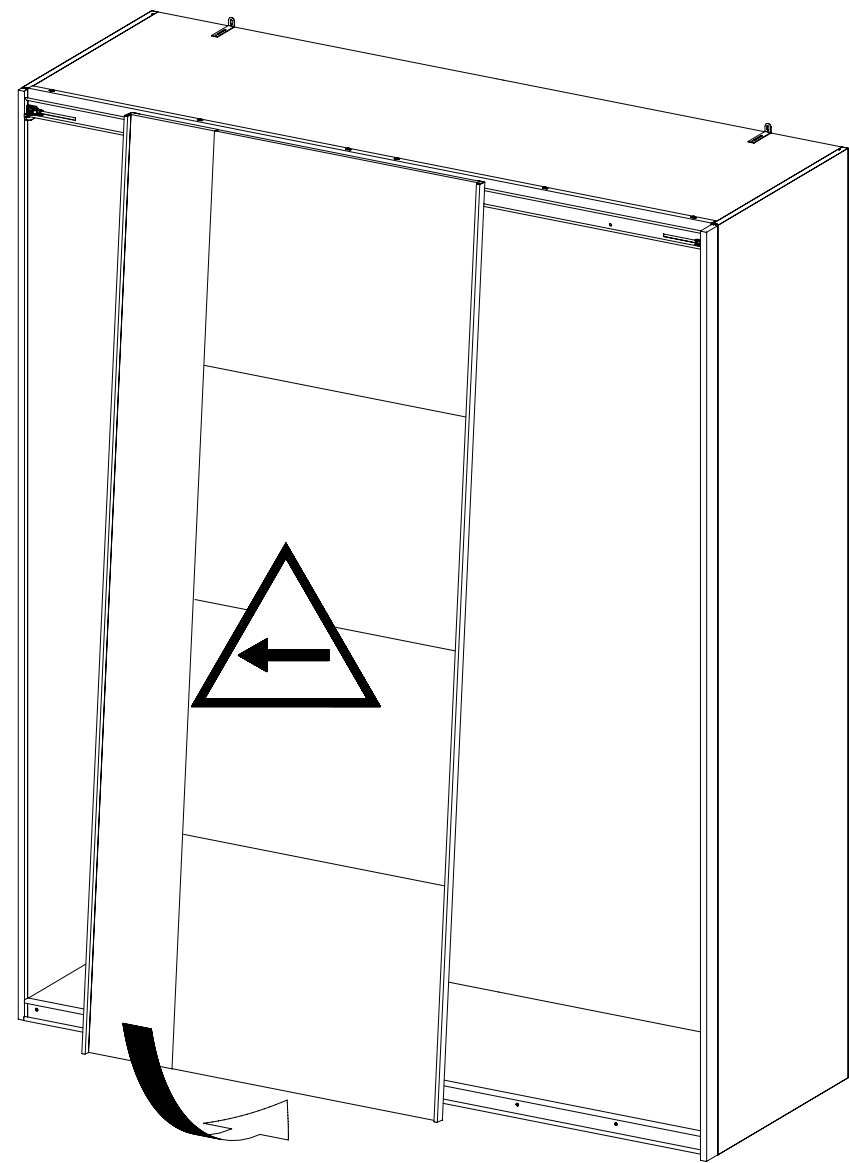
2.

205

1286

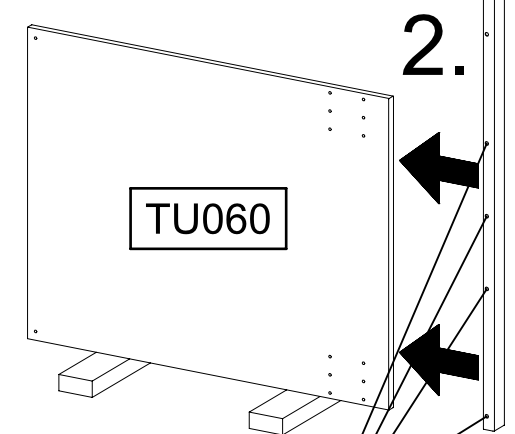
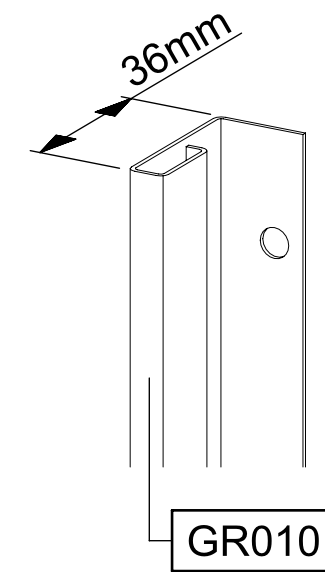
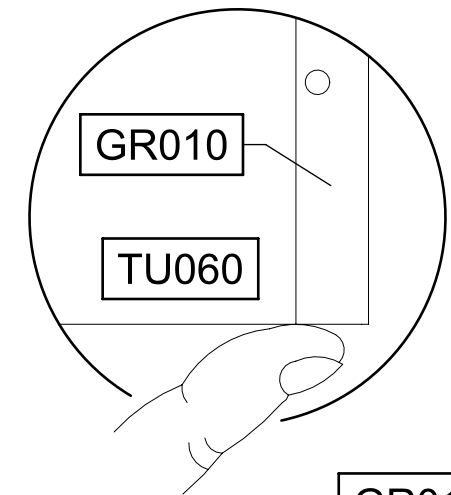
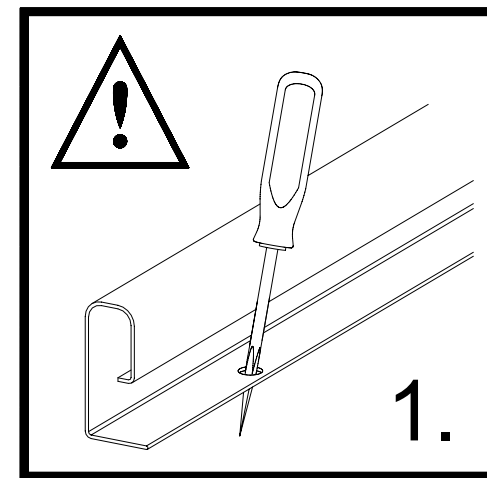
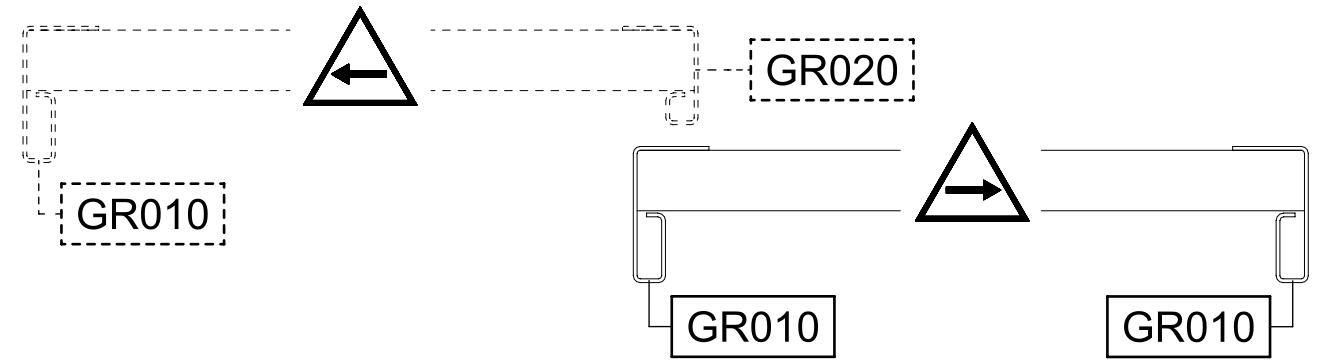
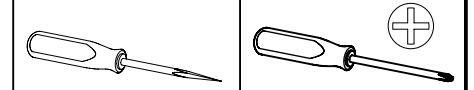


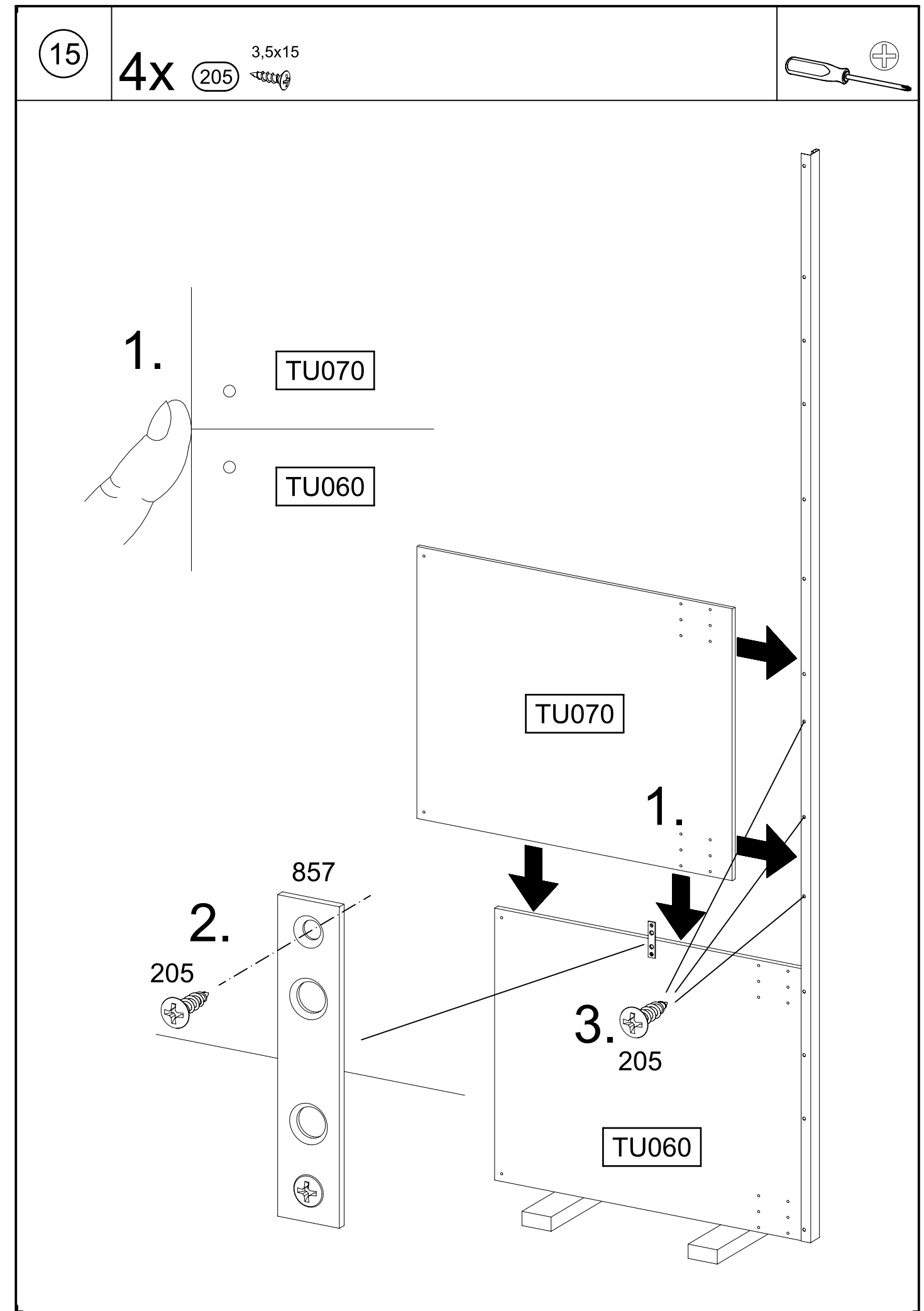
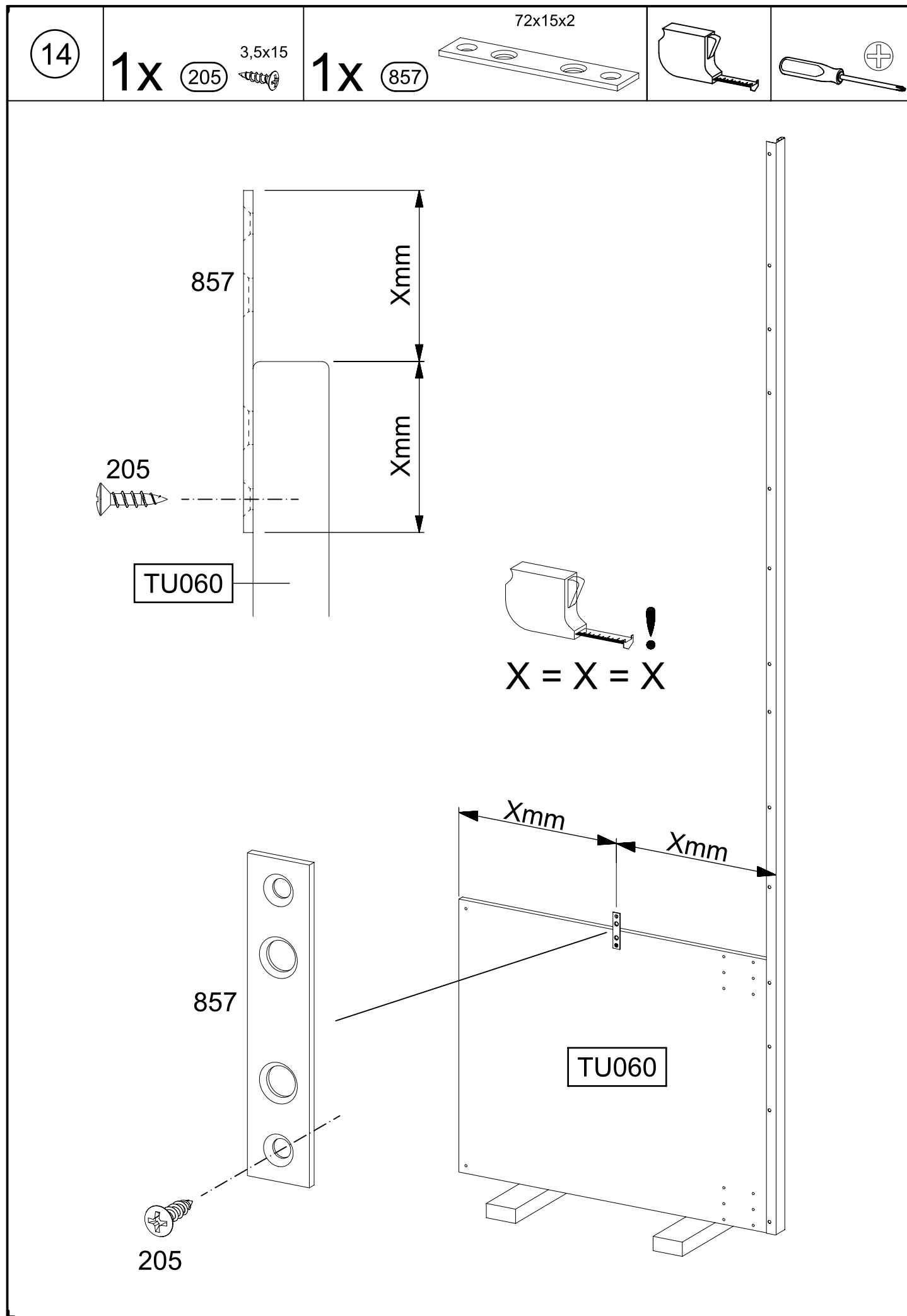
12



13

4x 205 3,5x15

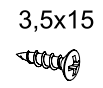




16

11x

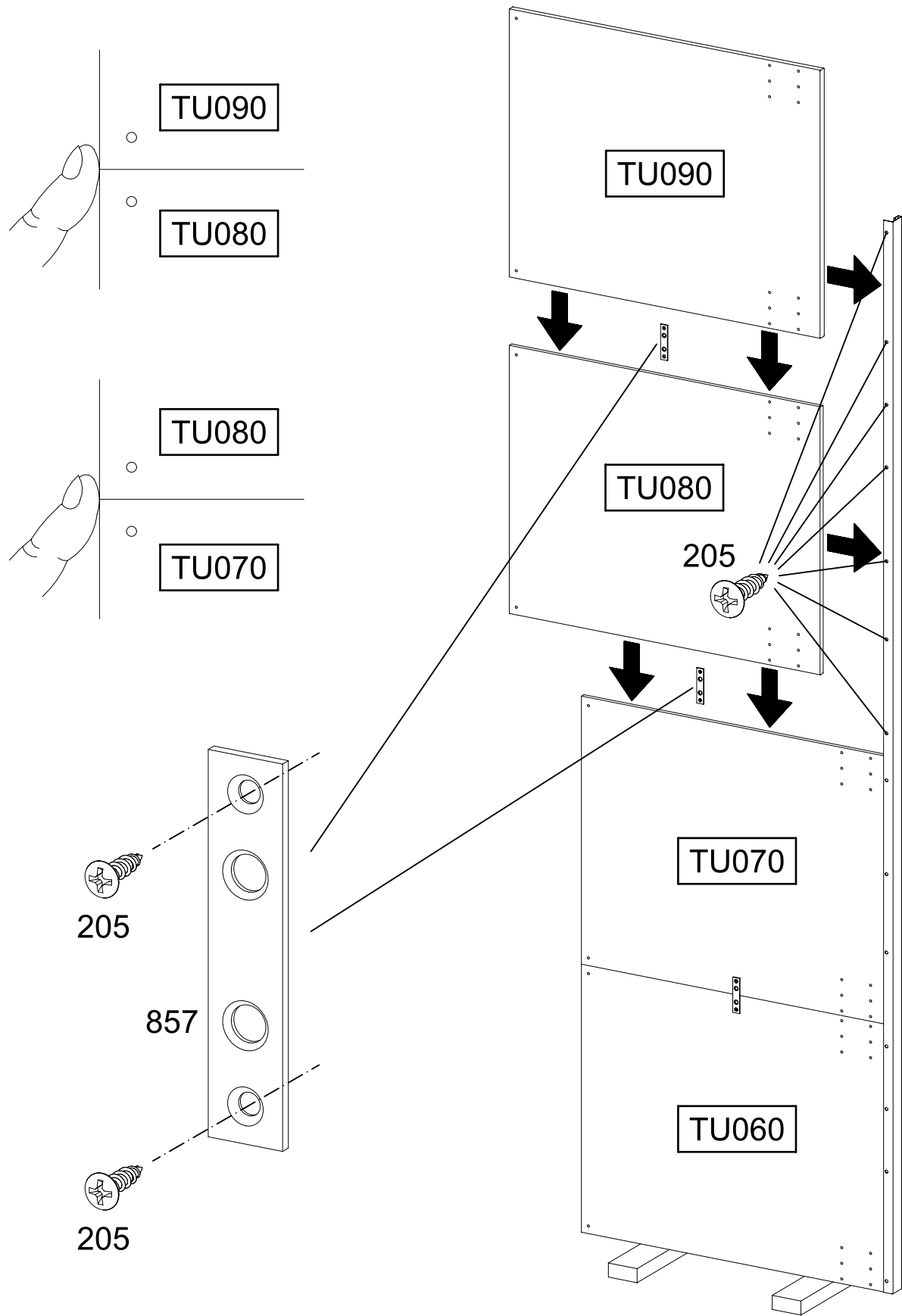
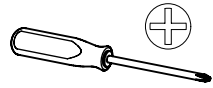
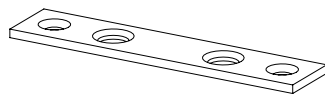
205



2x

857

72x15x2



17

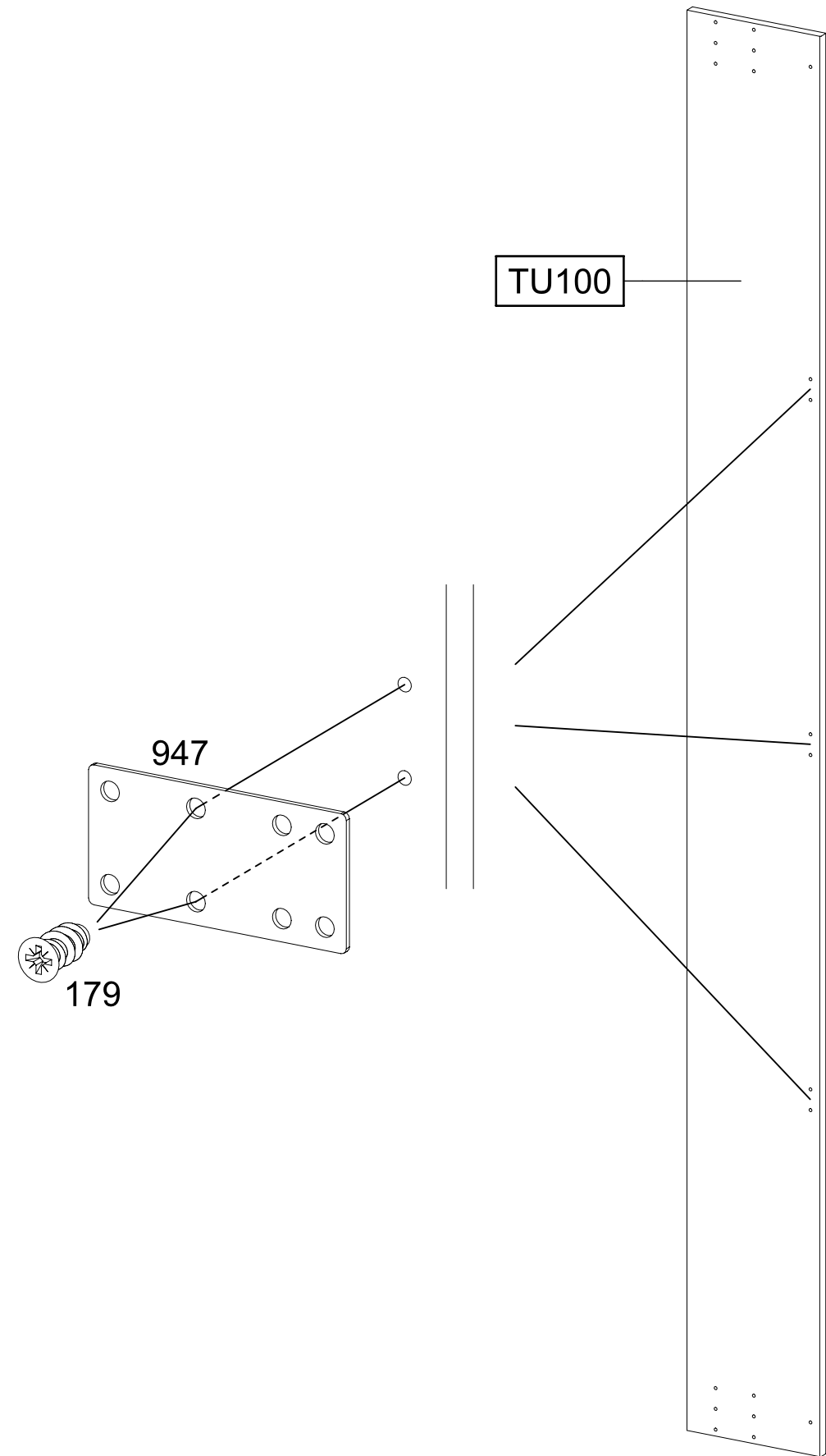
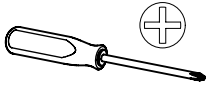
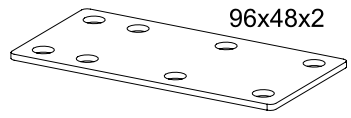
6x

179



3x

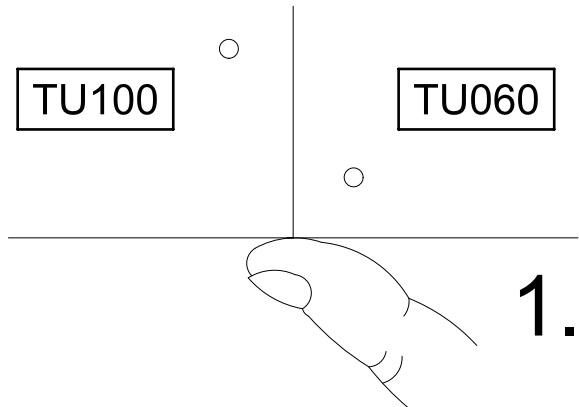
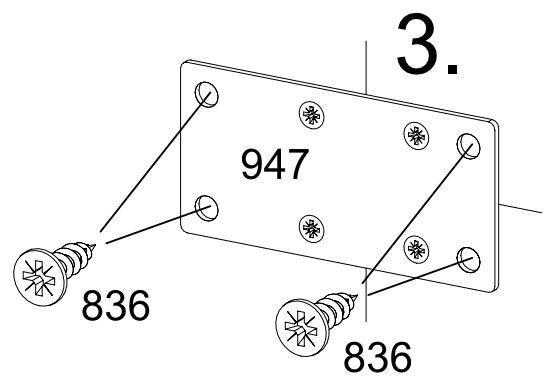
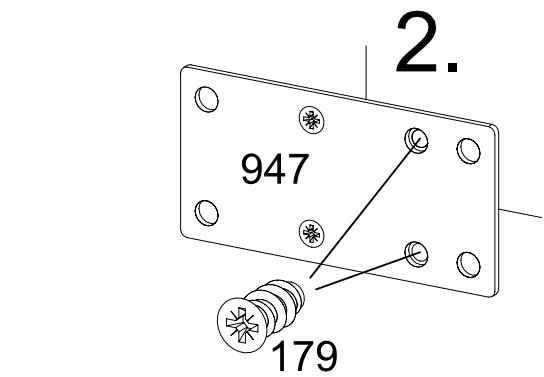
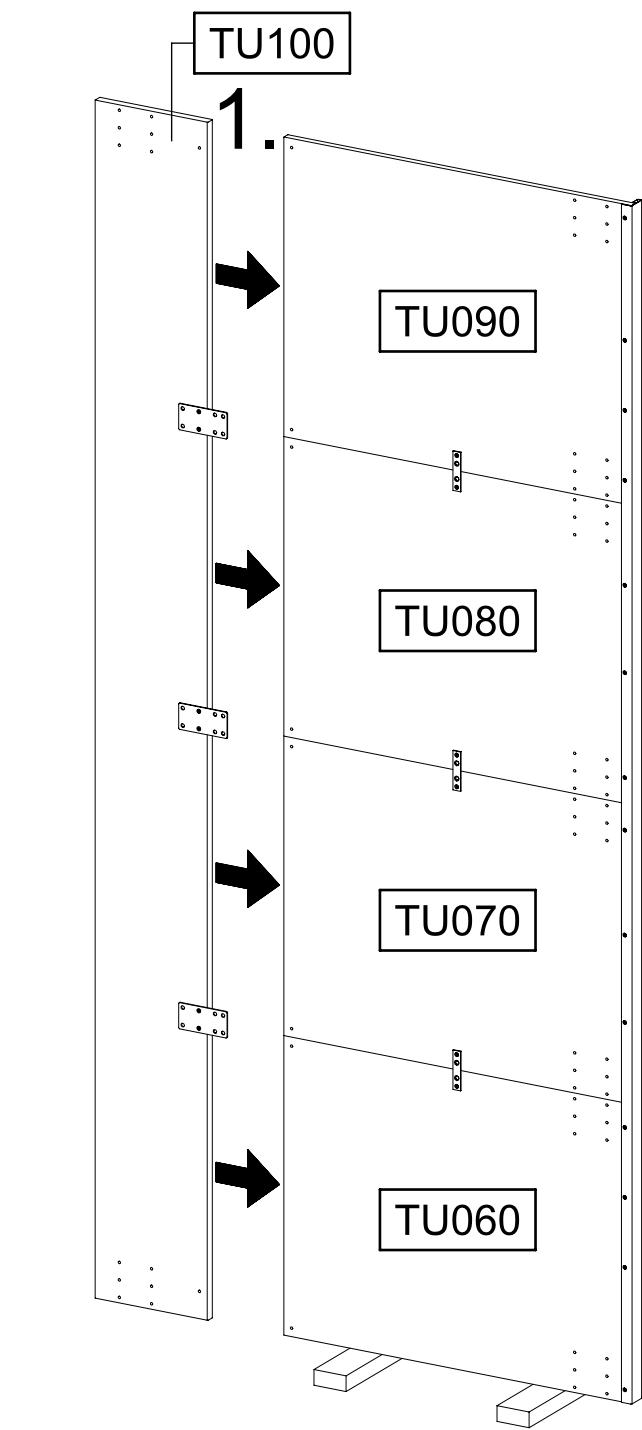
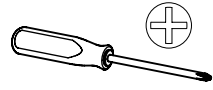
947



18

6x 6,3x13 179

12x 4x15 836

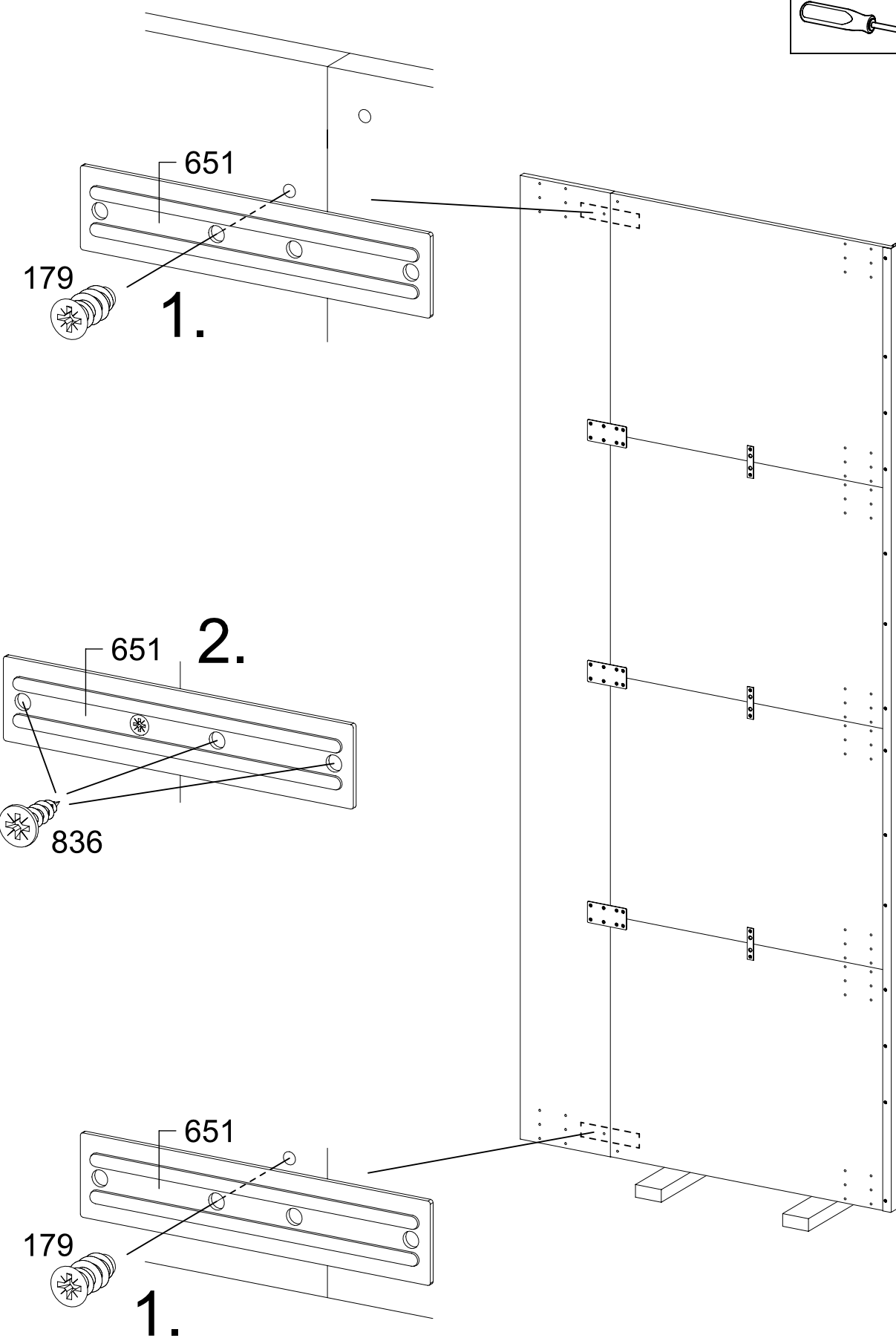
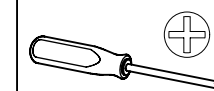


19

2x 6,3x13 179

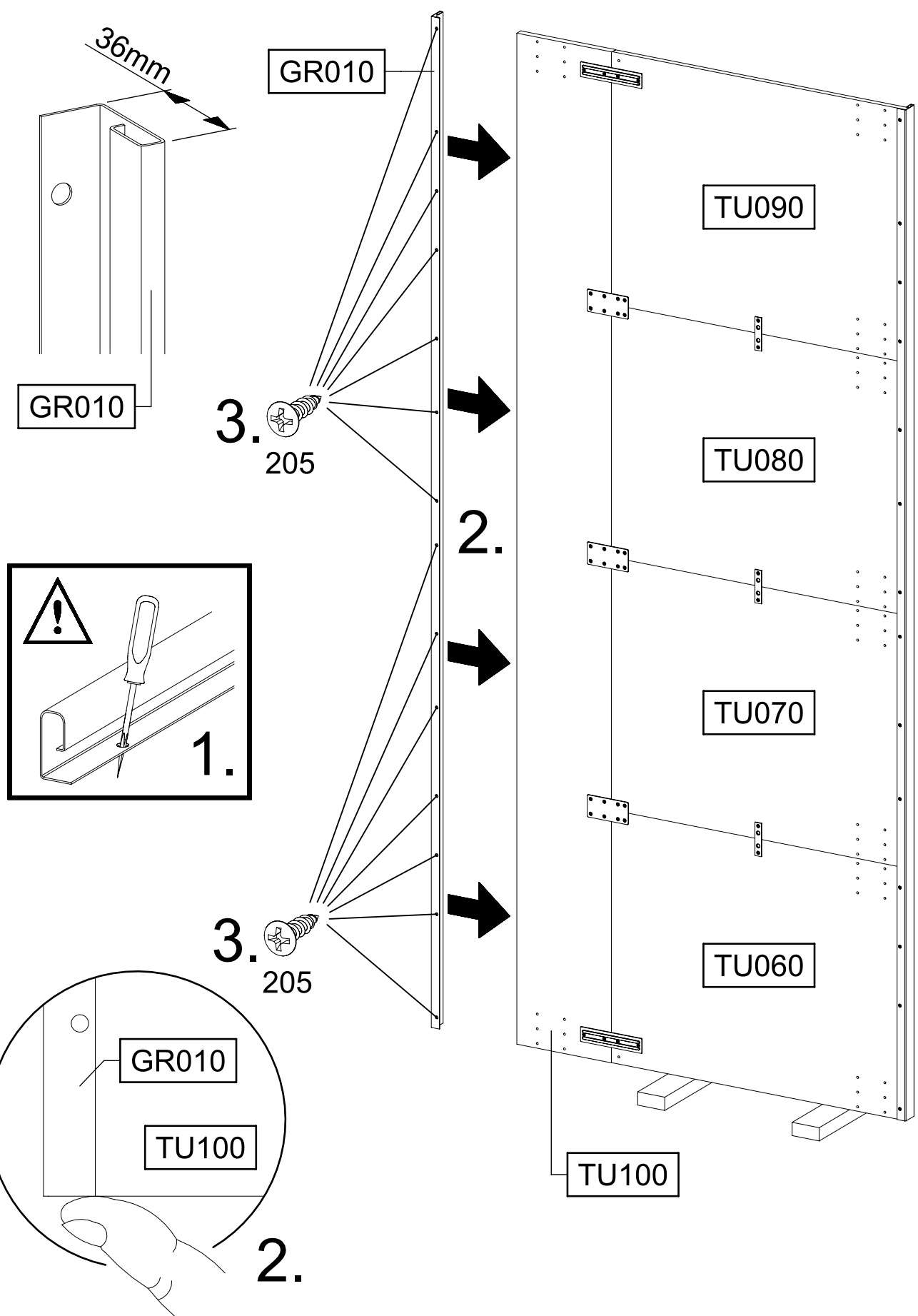
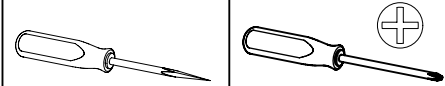
2x 144x32x5 651

6x 4x15 836



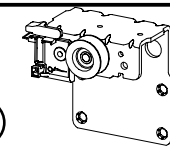
20

14x 3,5x15
205

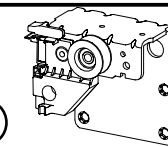


21

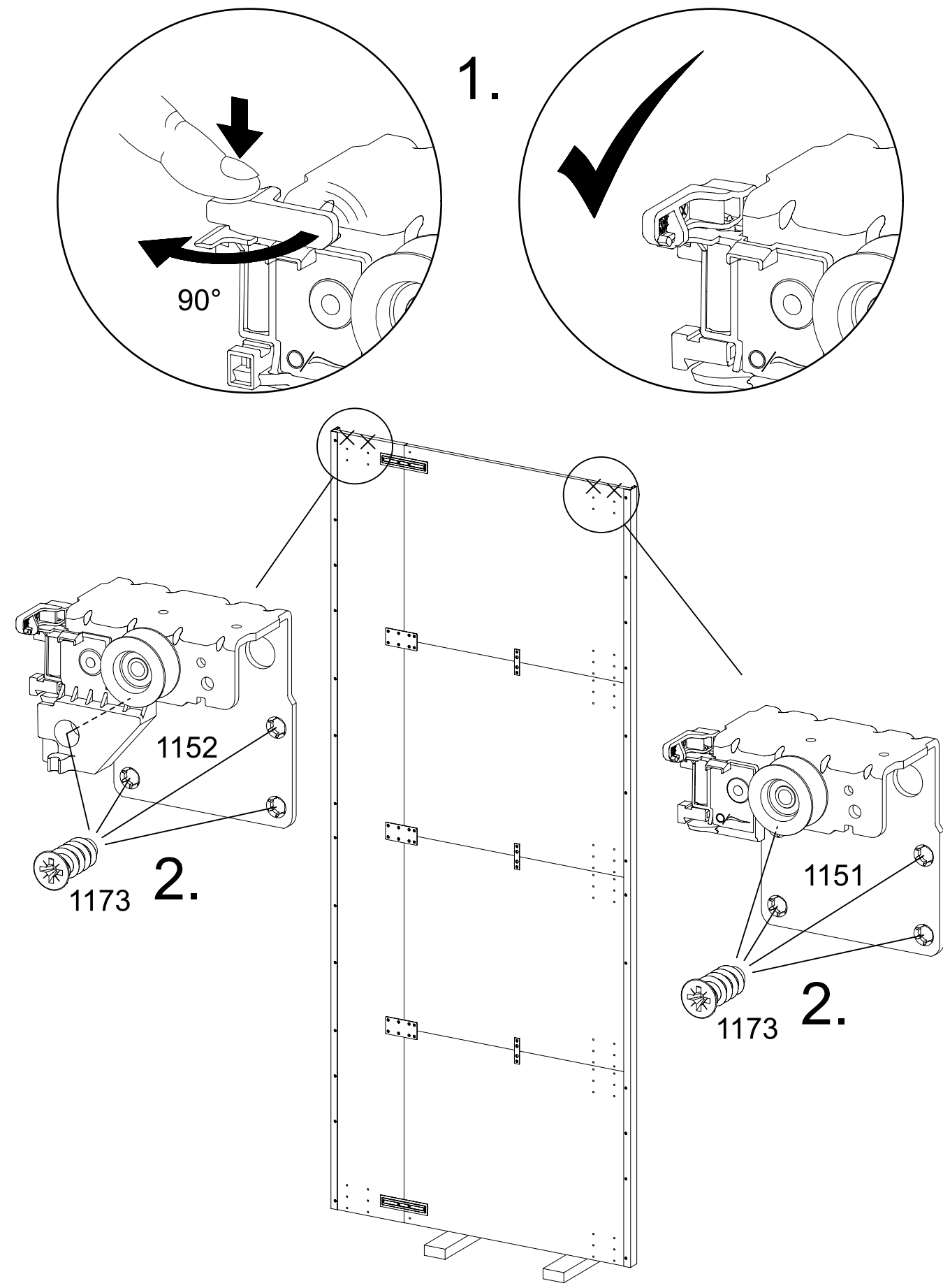
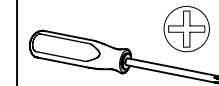
1x 1151



1x 1152



8x 6,3x14
1173



22

4x 205

3,5x15

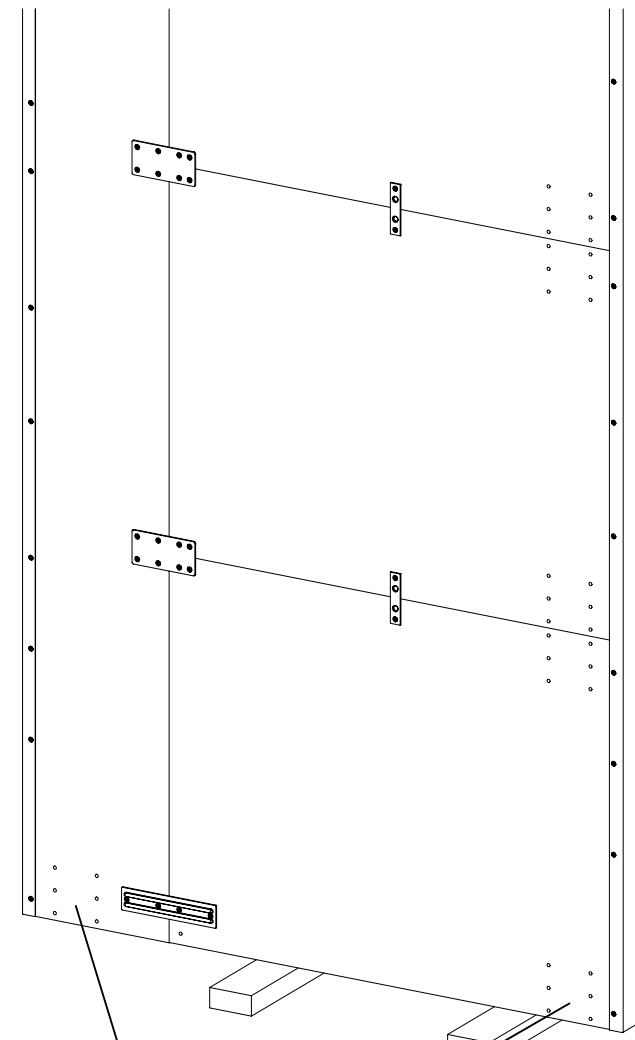
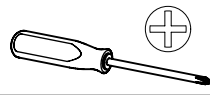
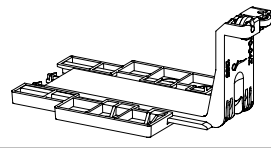


4x 1173

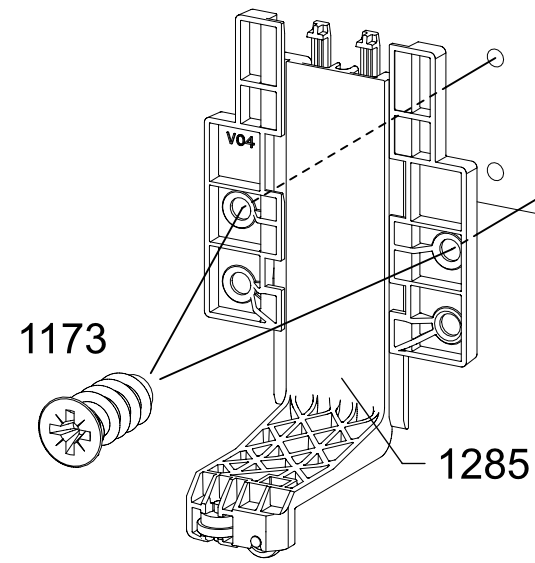
6,3x14



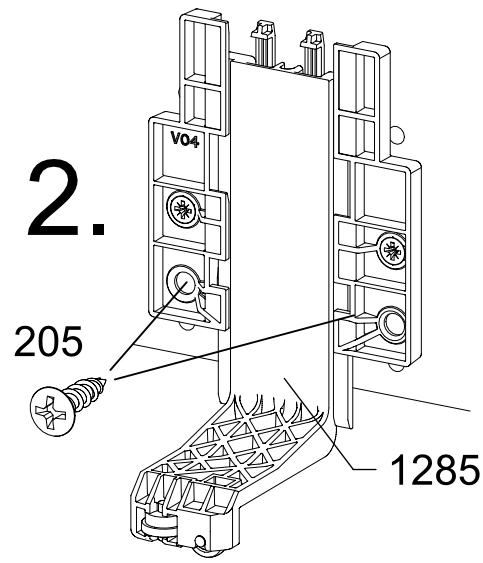
2x 1285



1.



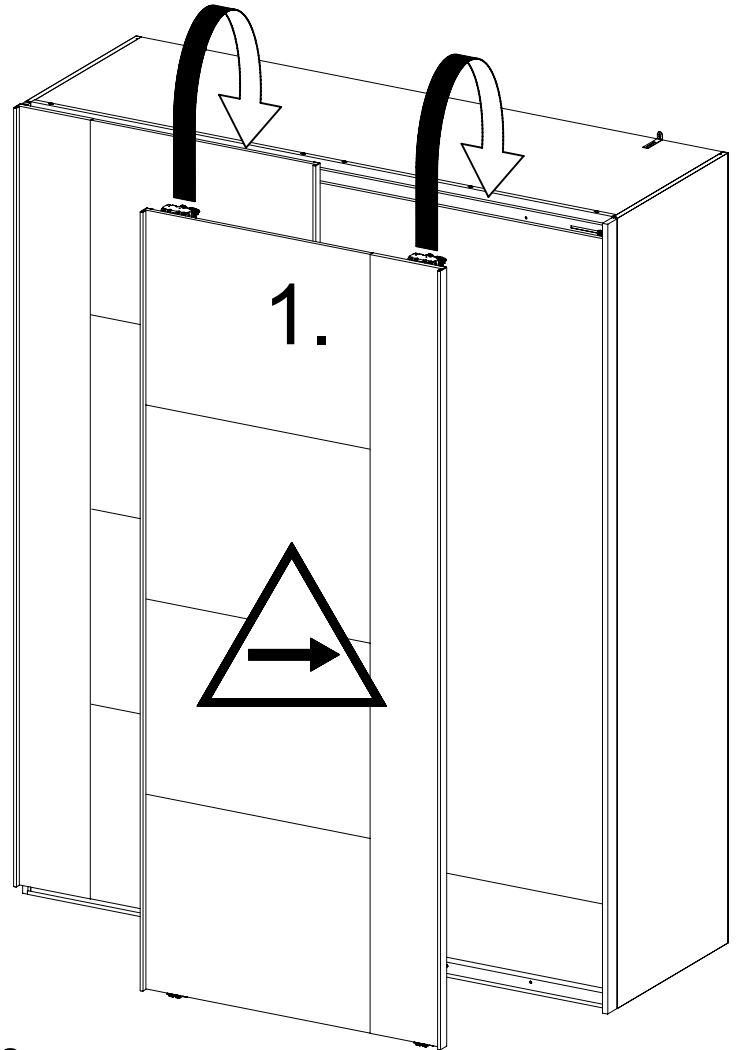
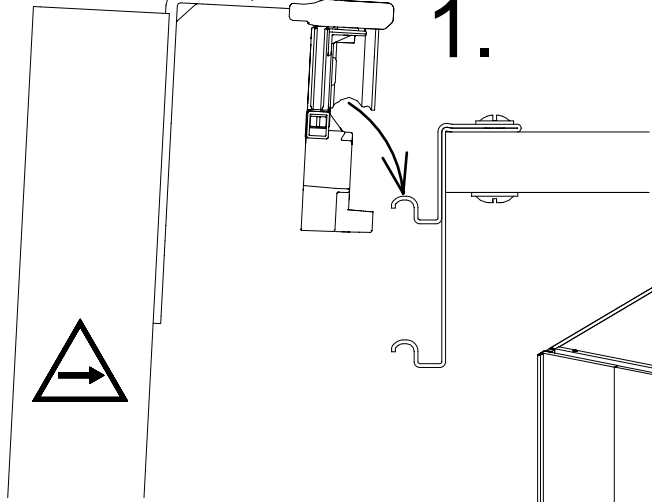
2.



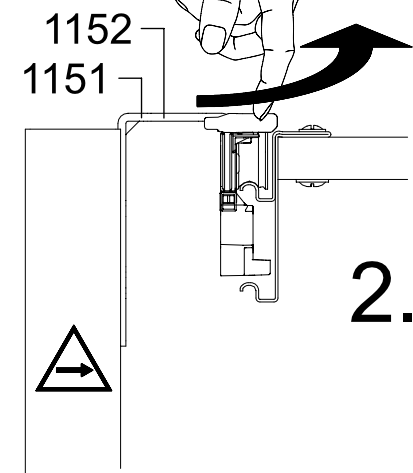
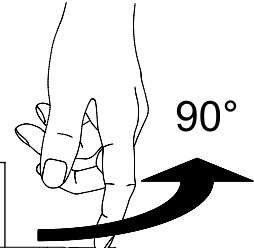
23

1151 1152

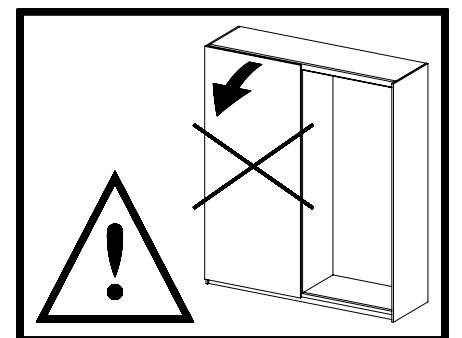
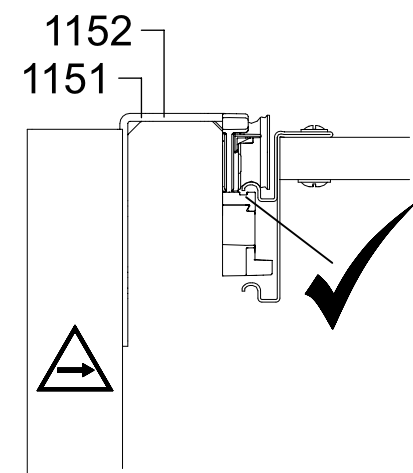
1.



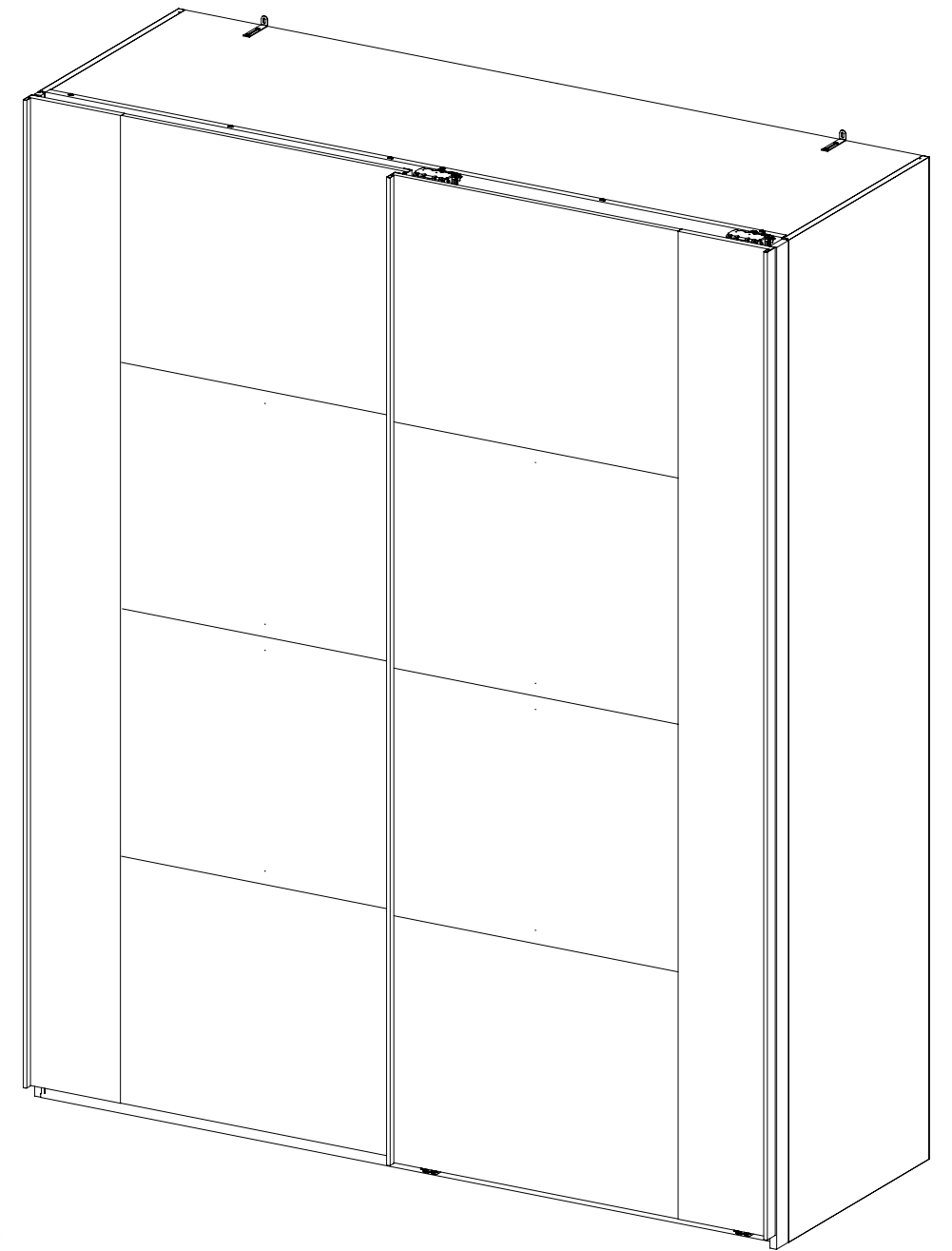
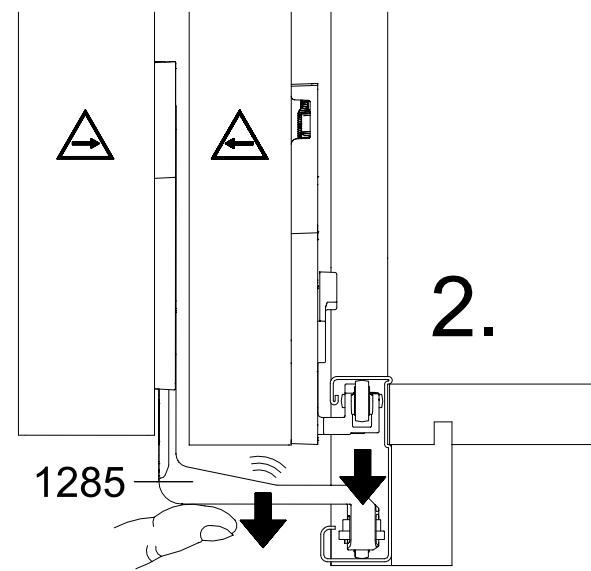
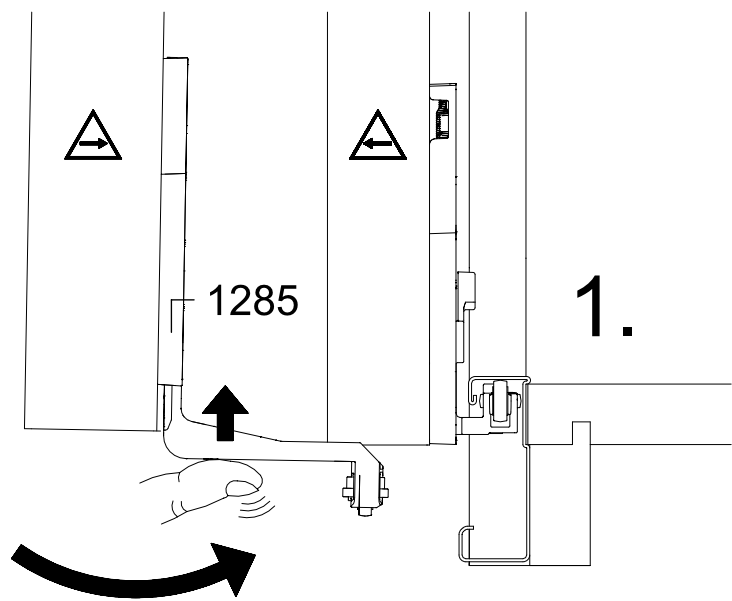
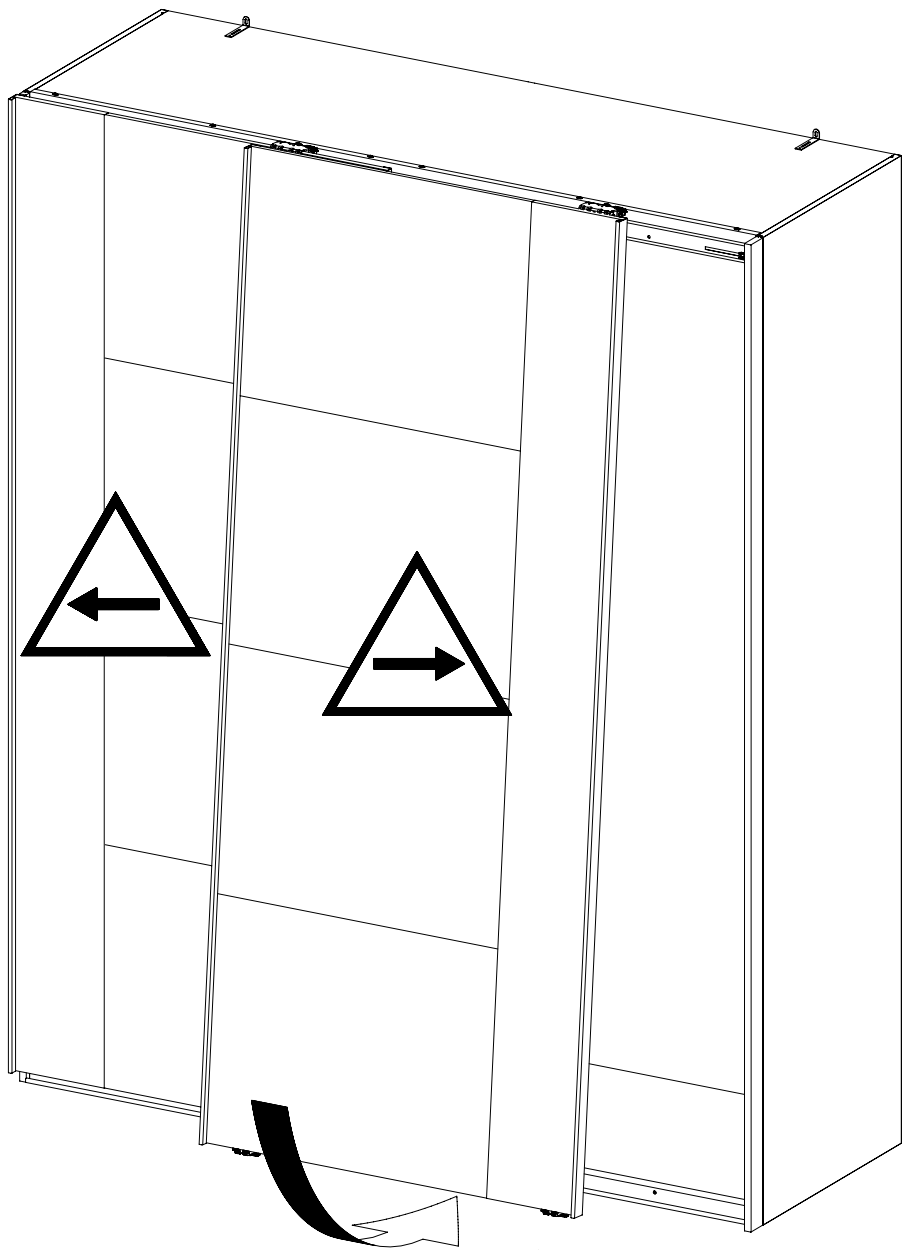
1.

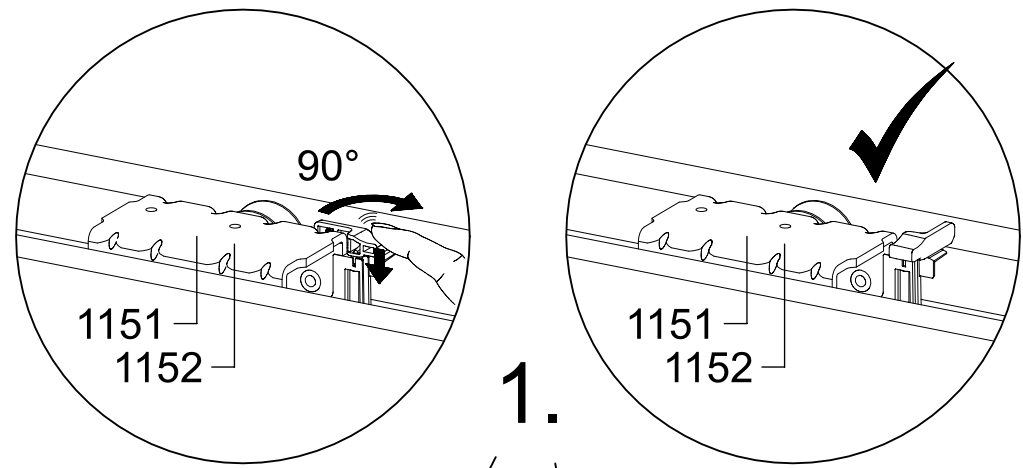


2.

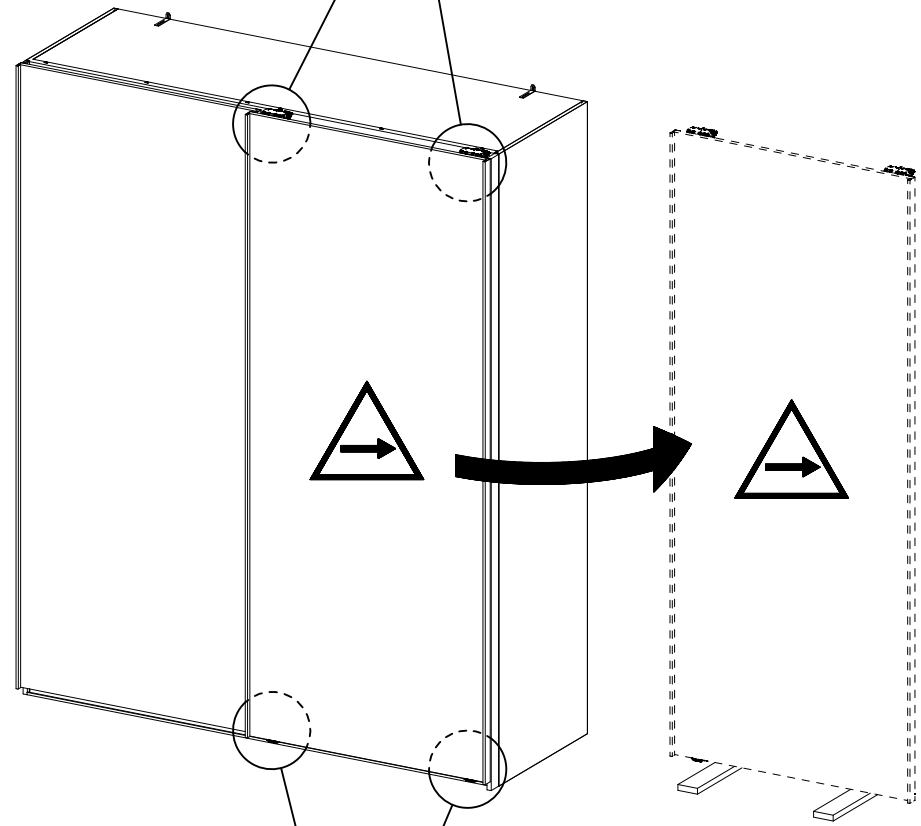


24

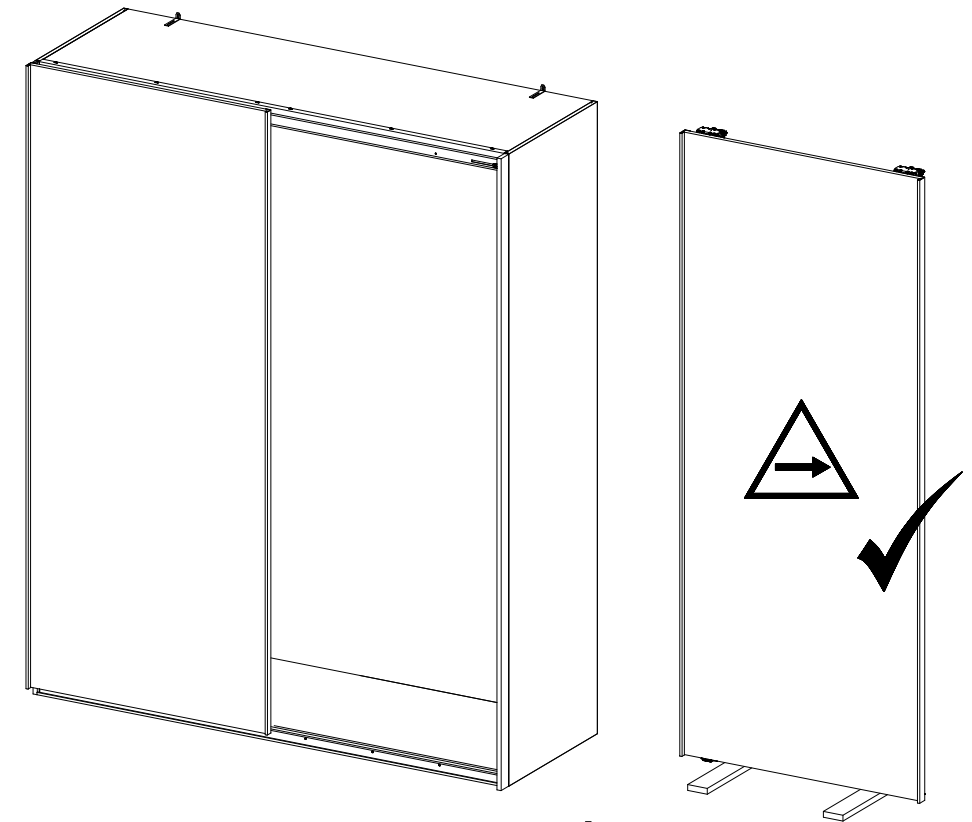
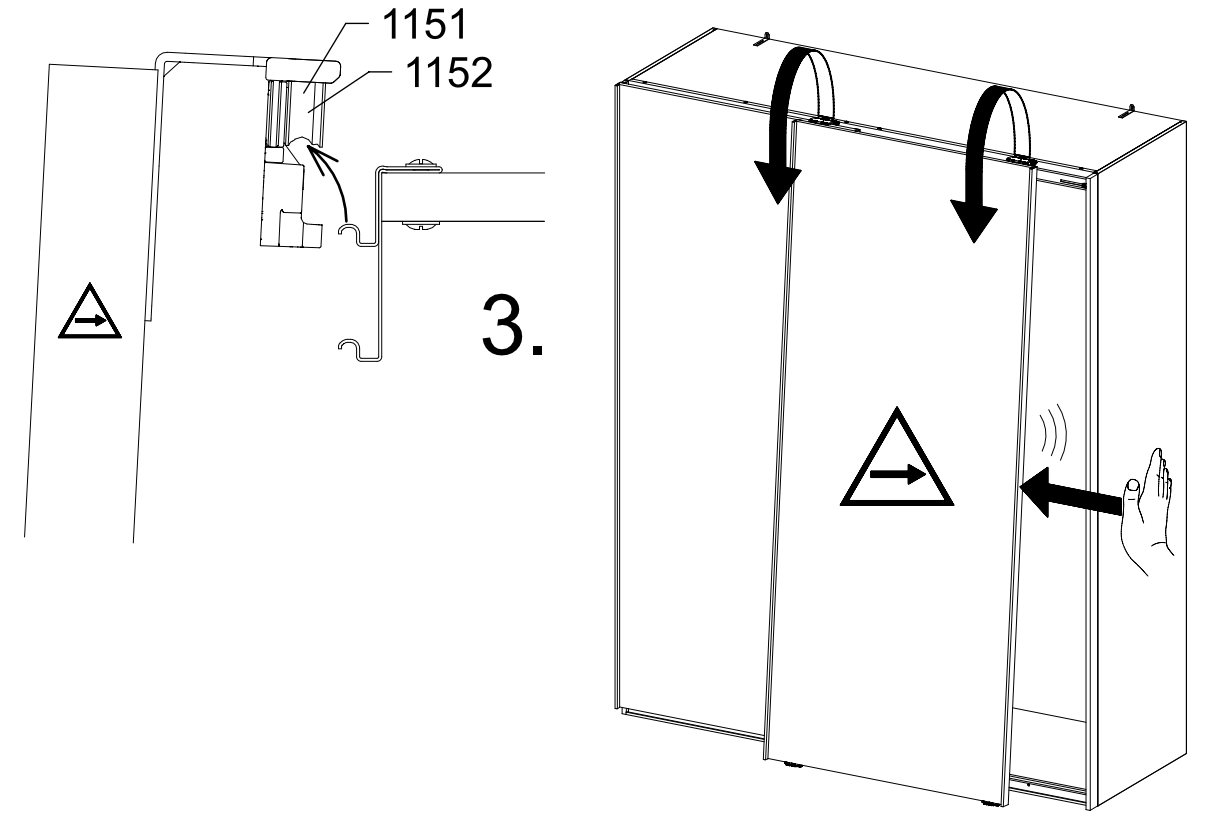
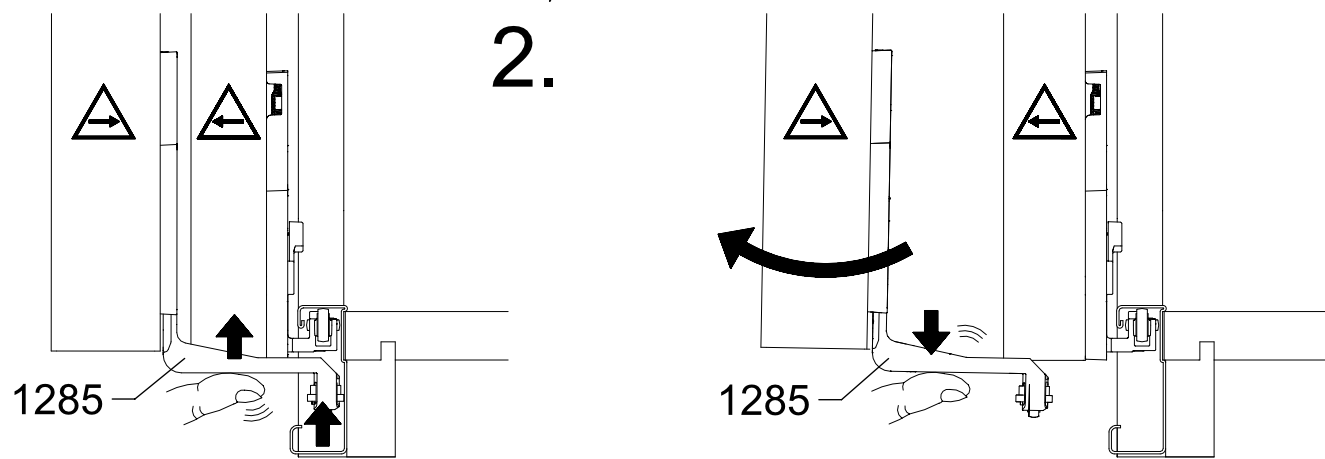




1.



2.



4.

