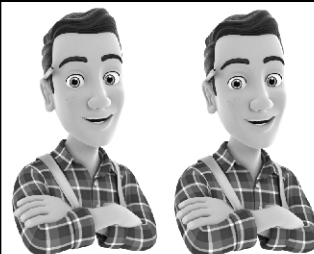
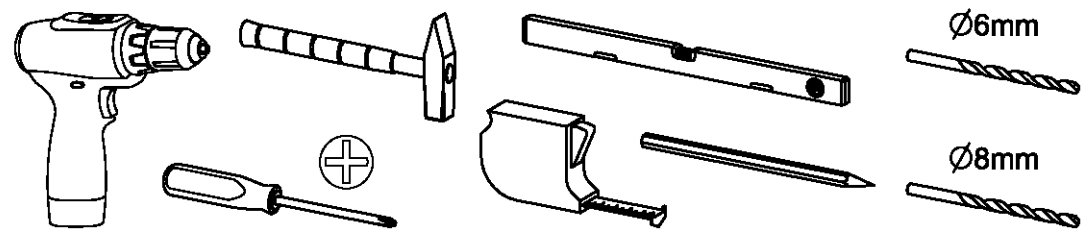
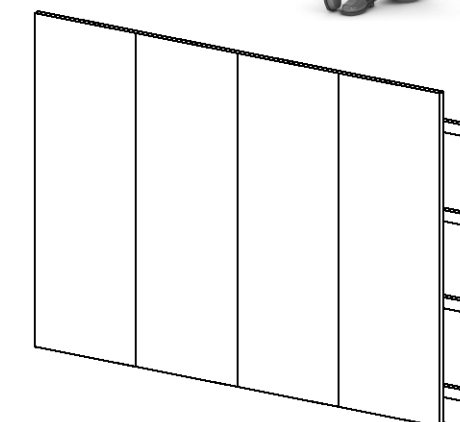
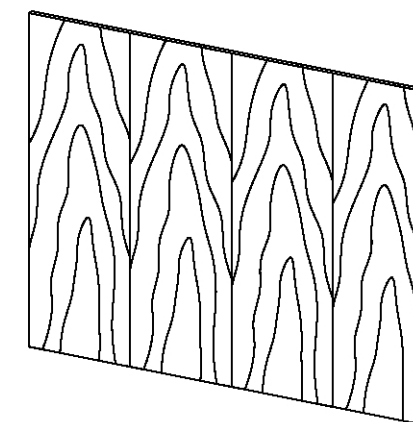
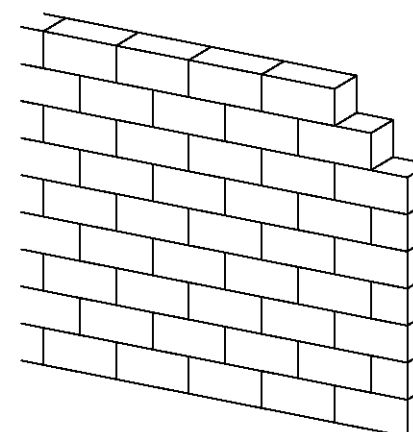
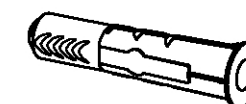
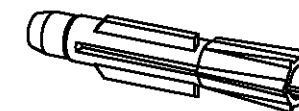
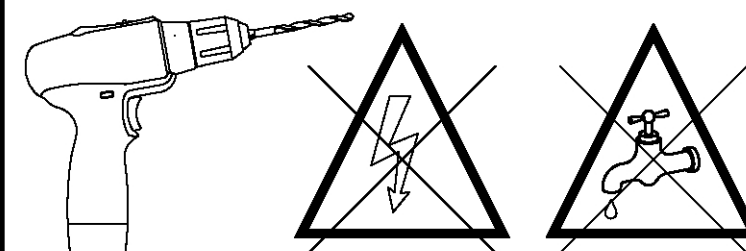
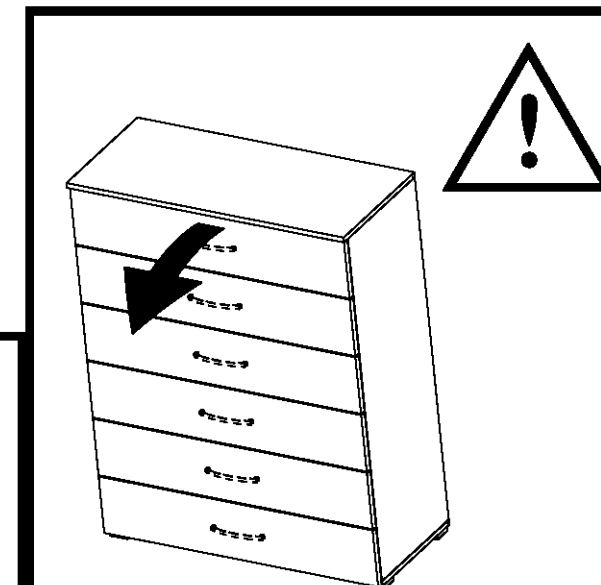
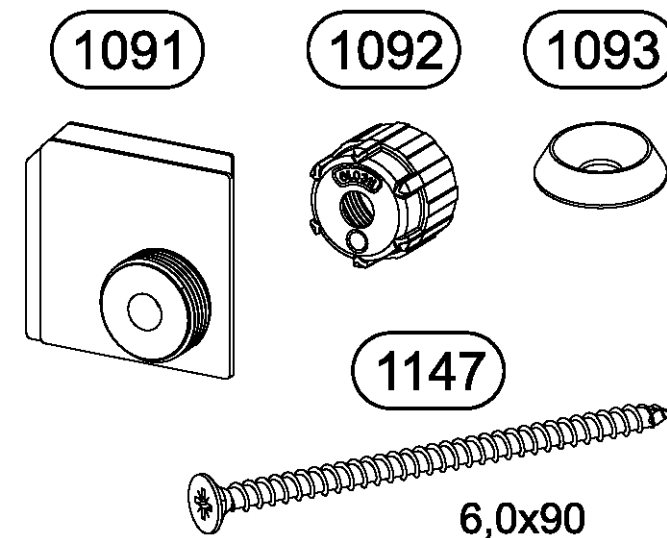
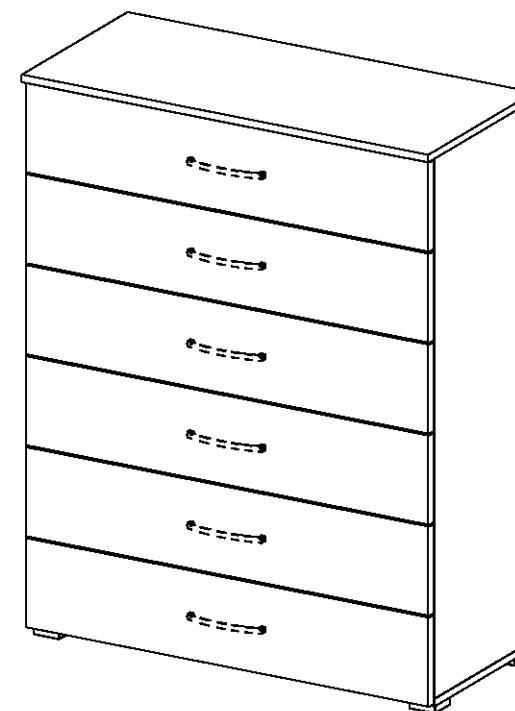
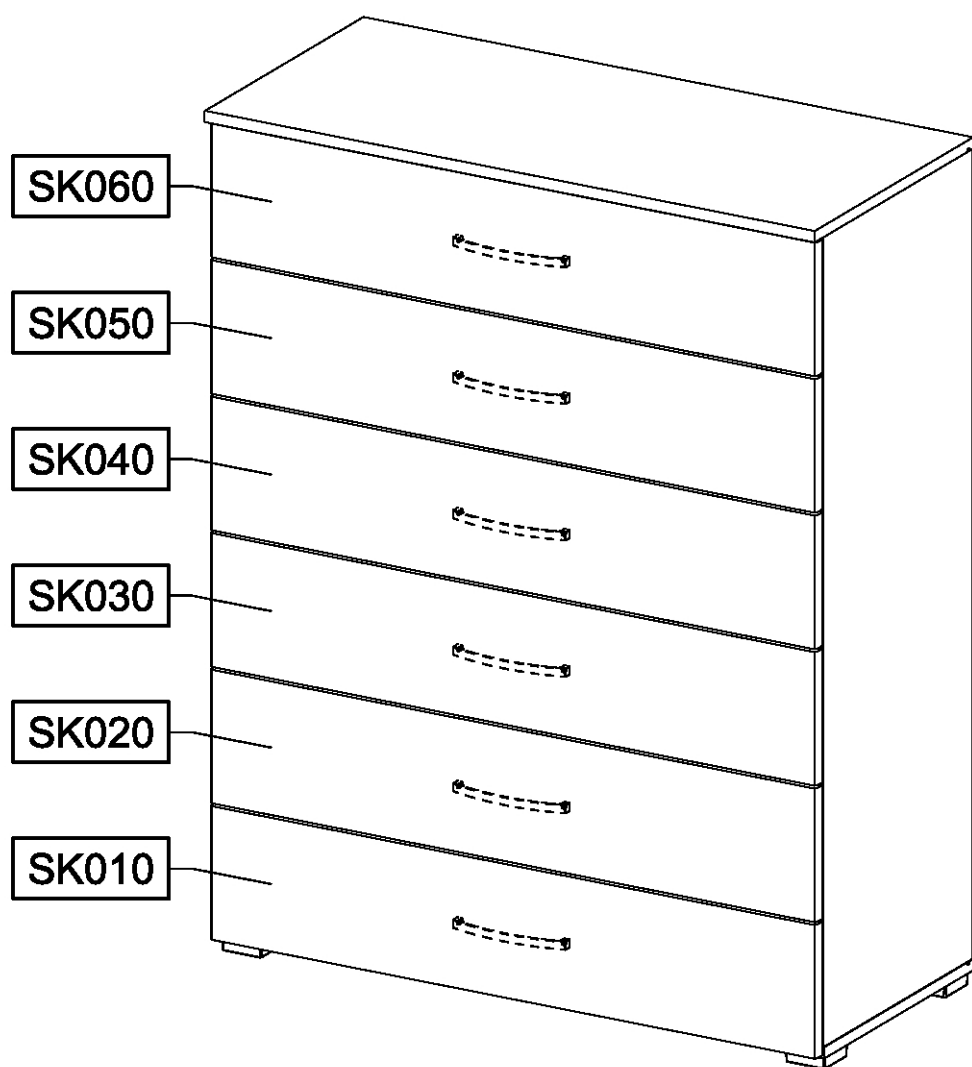
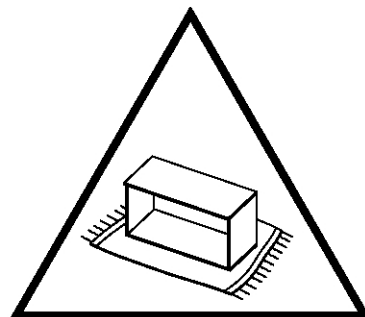


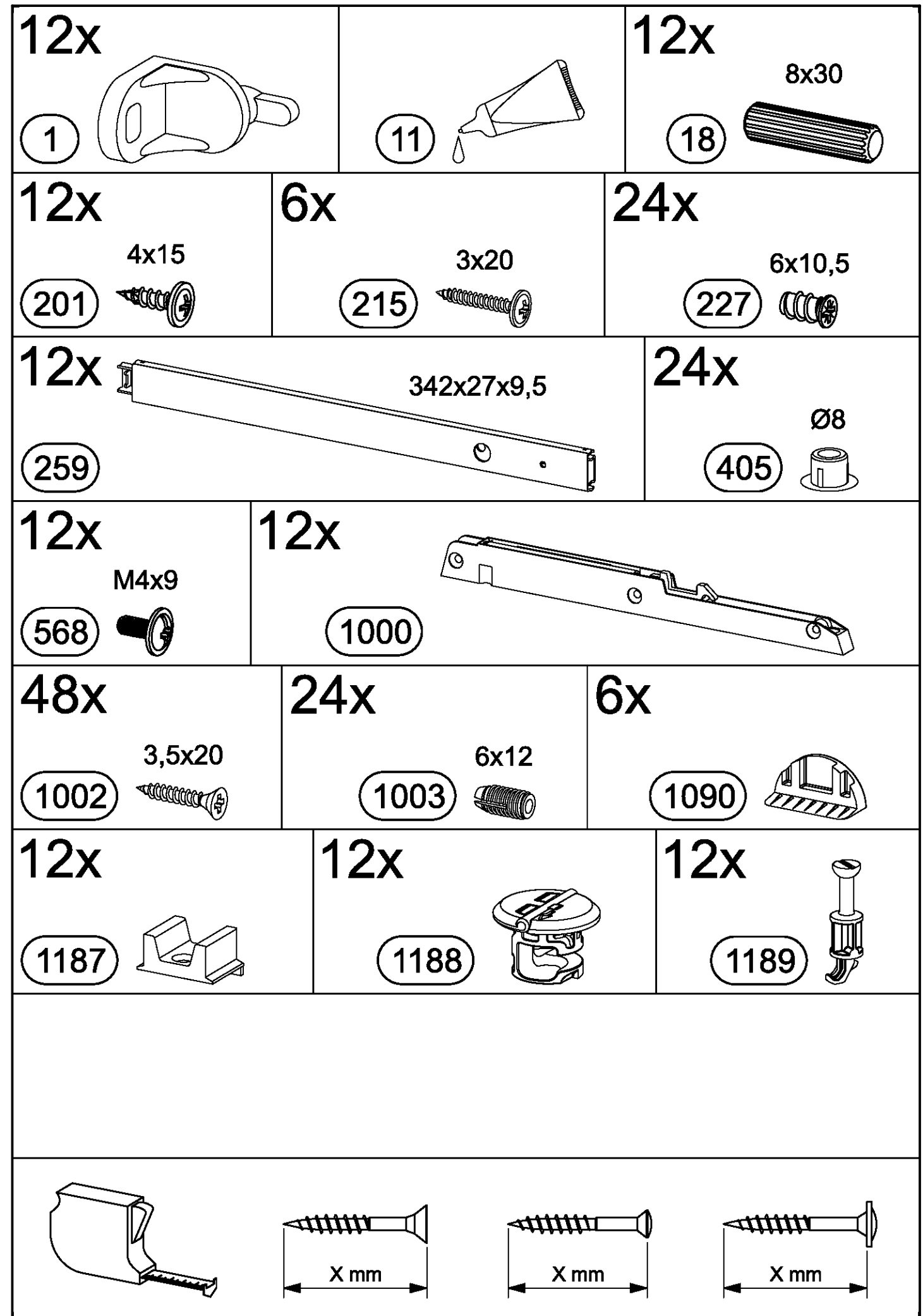
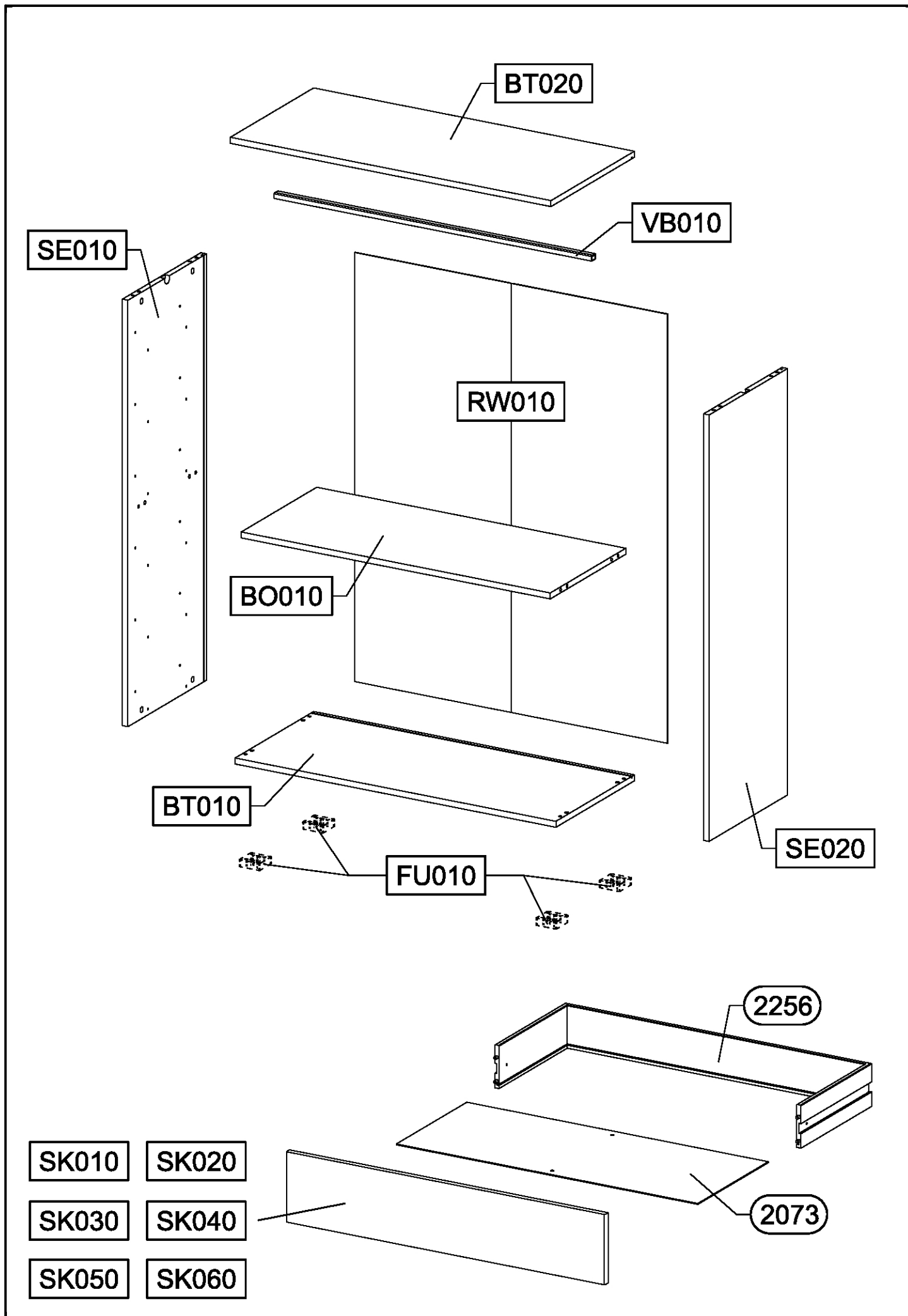
M2617_01

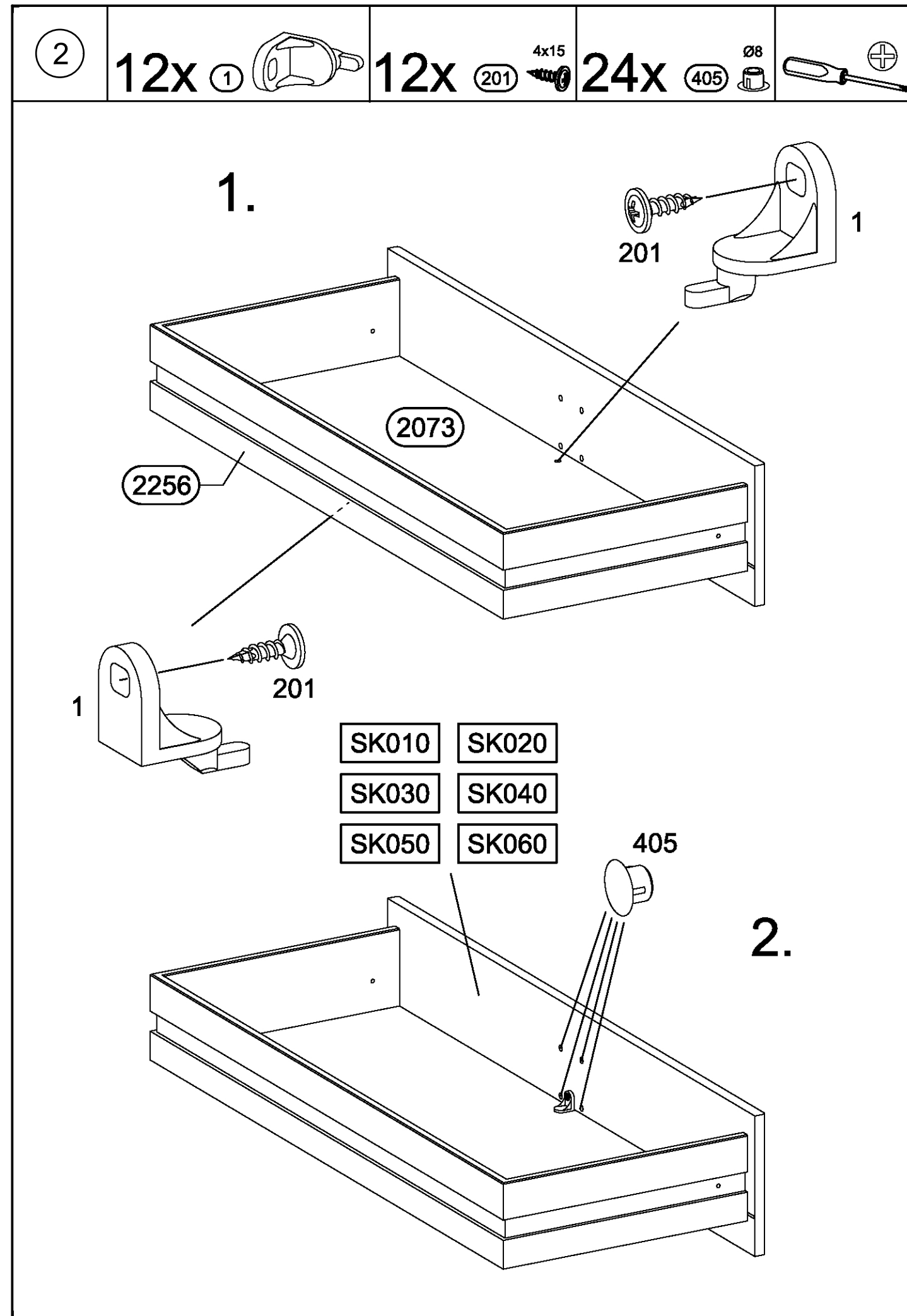
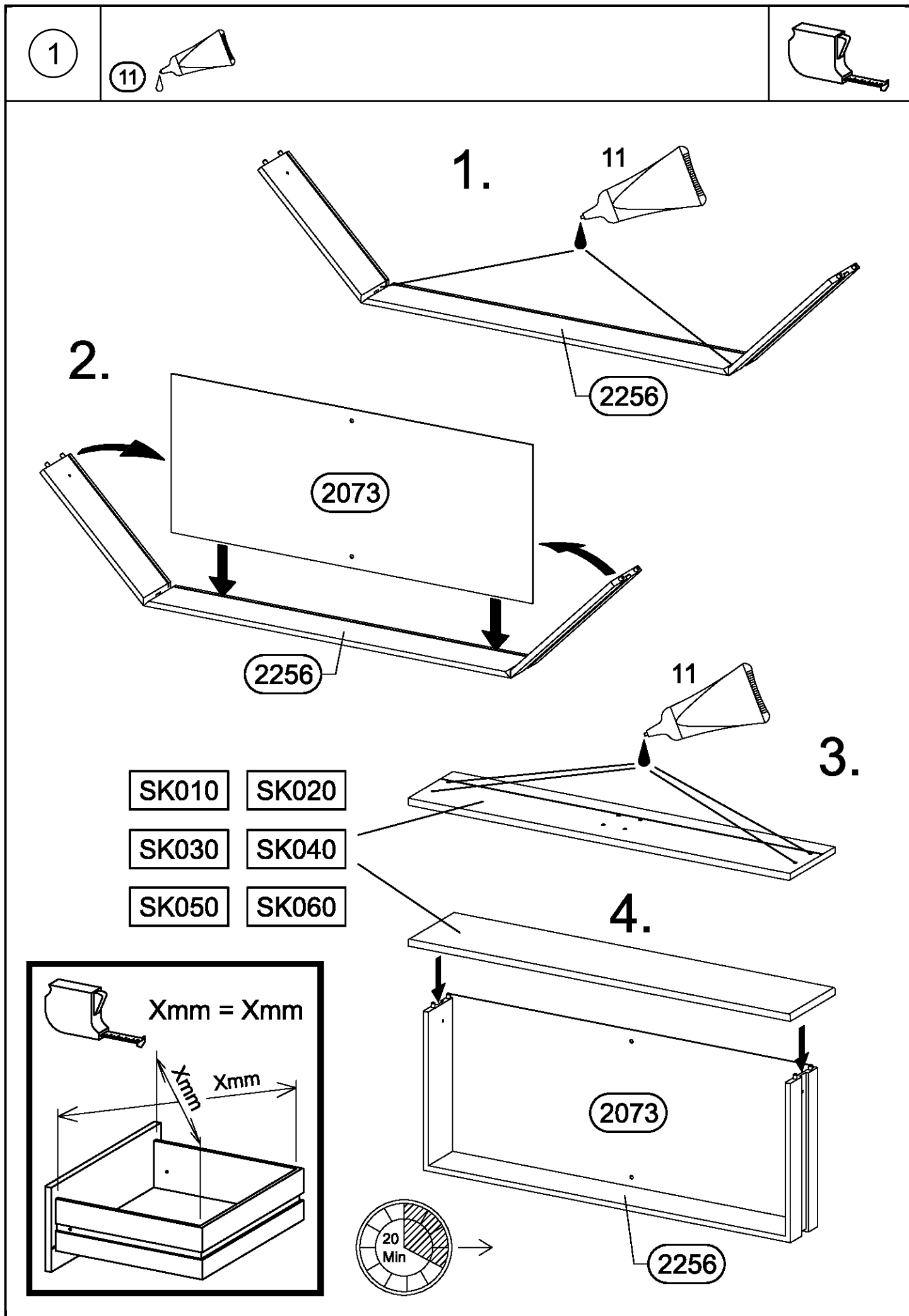
rauch

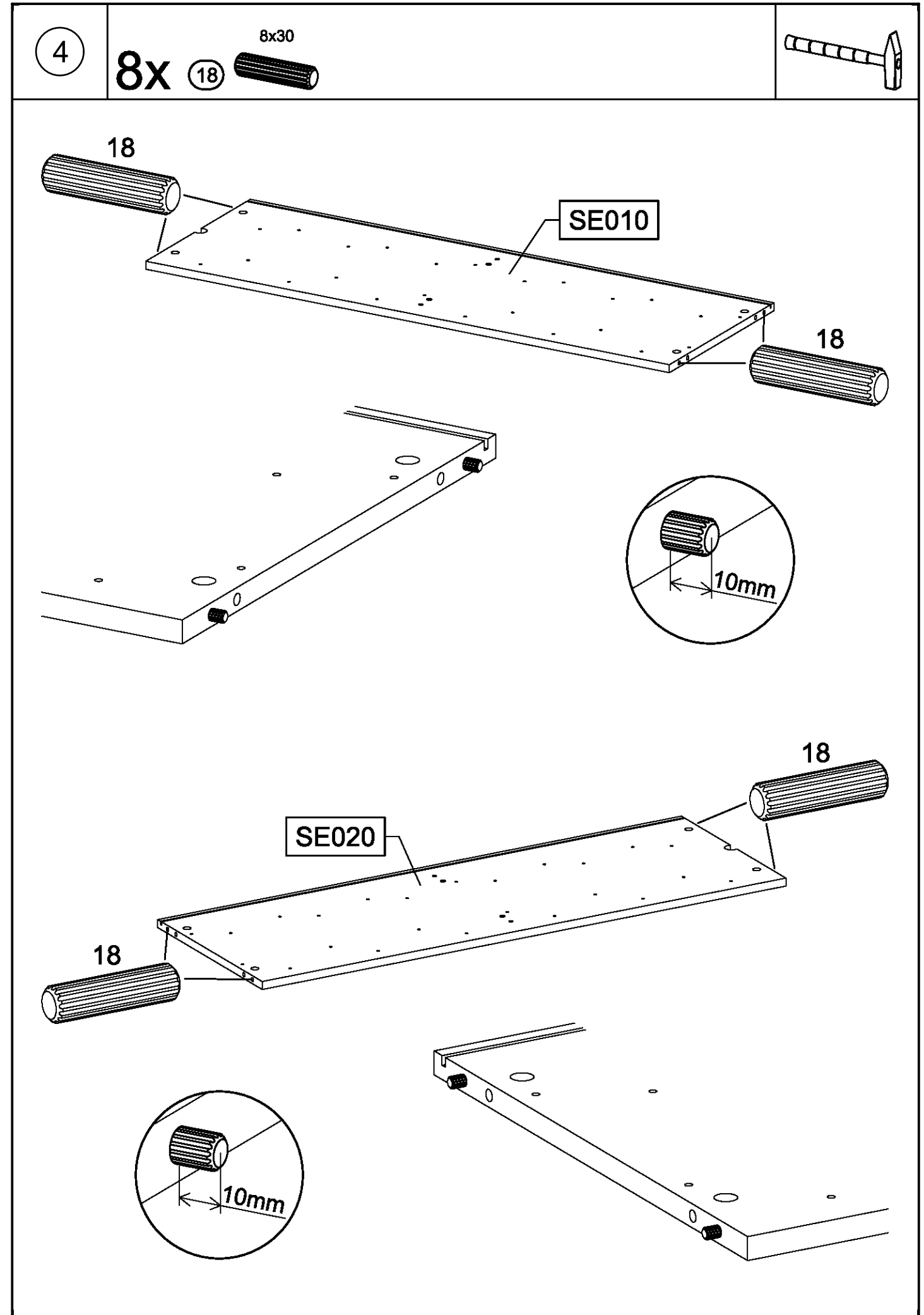
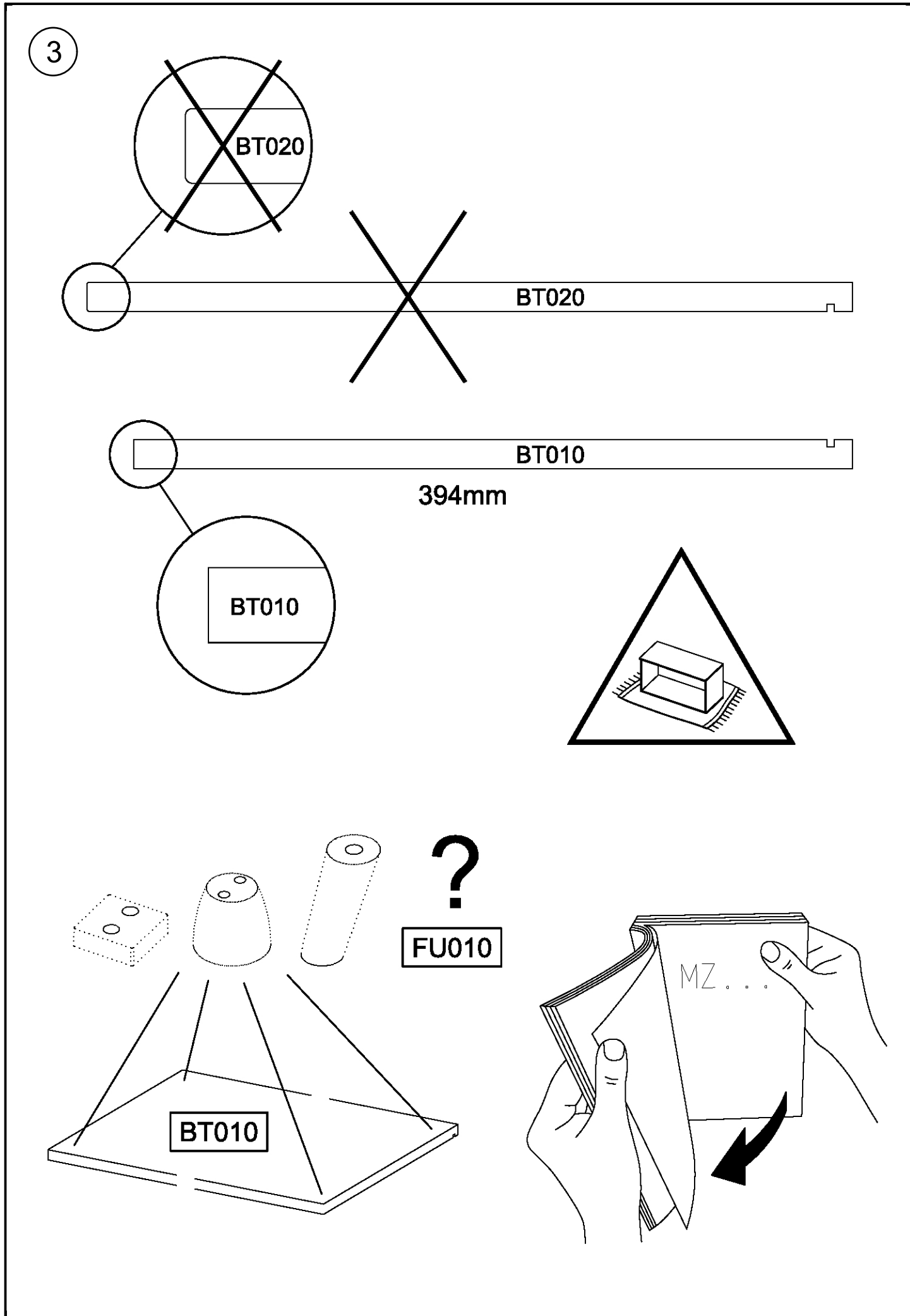


2,5-3h



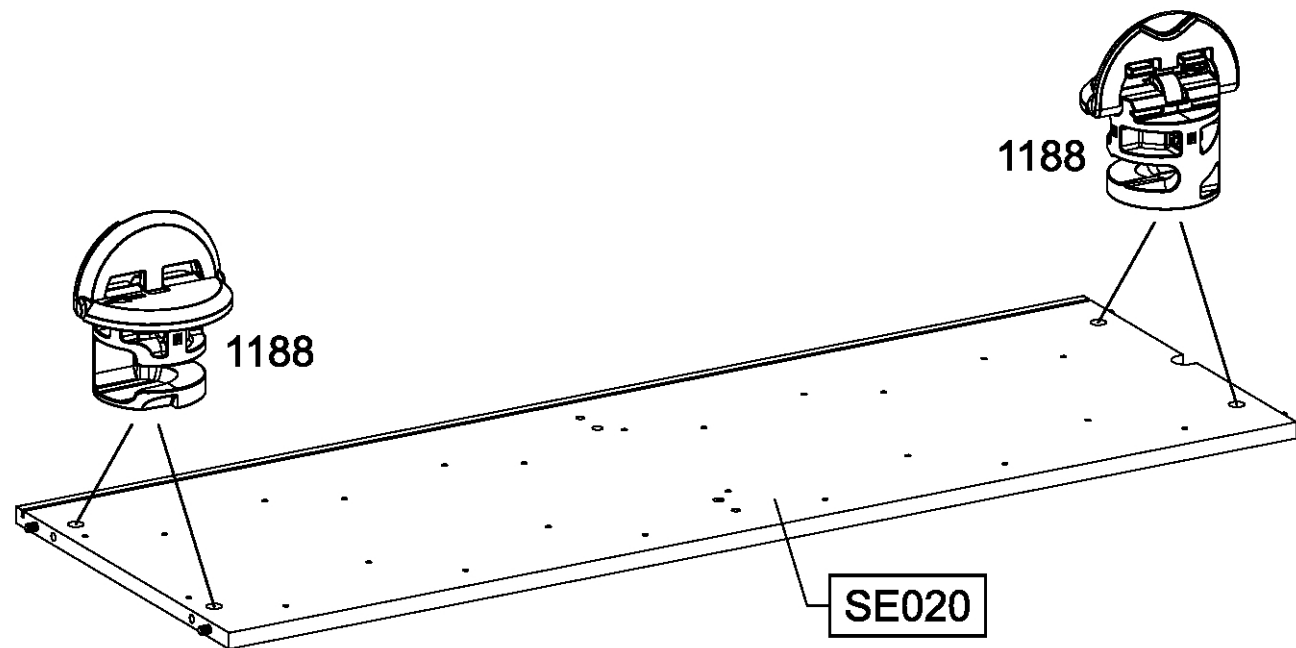
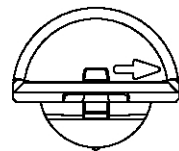
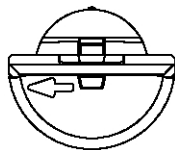
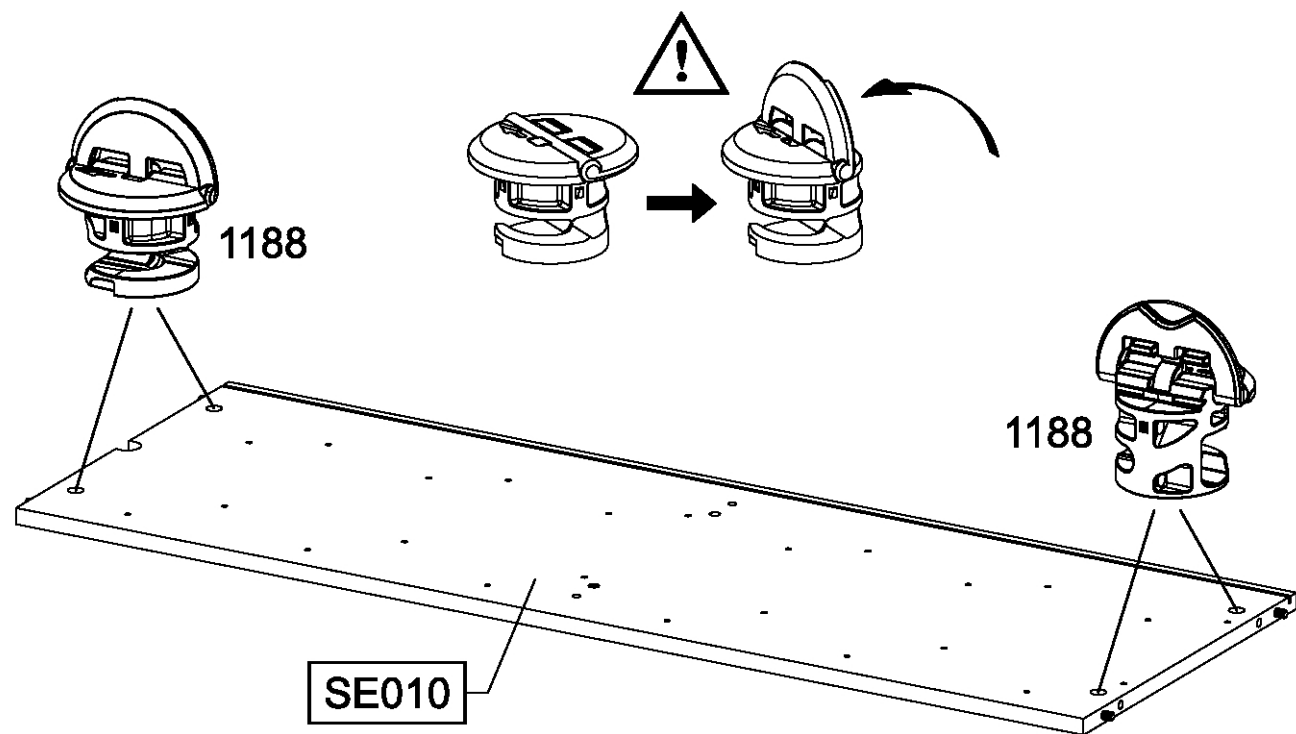






5

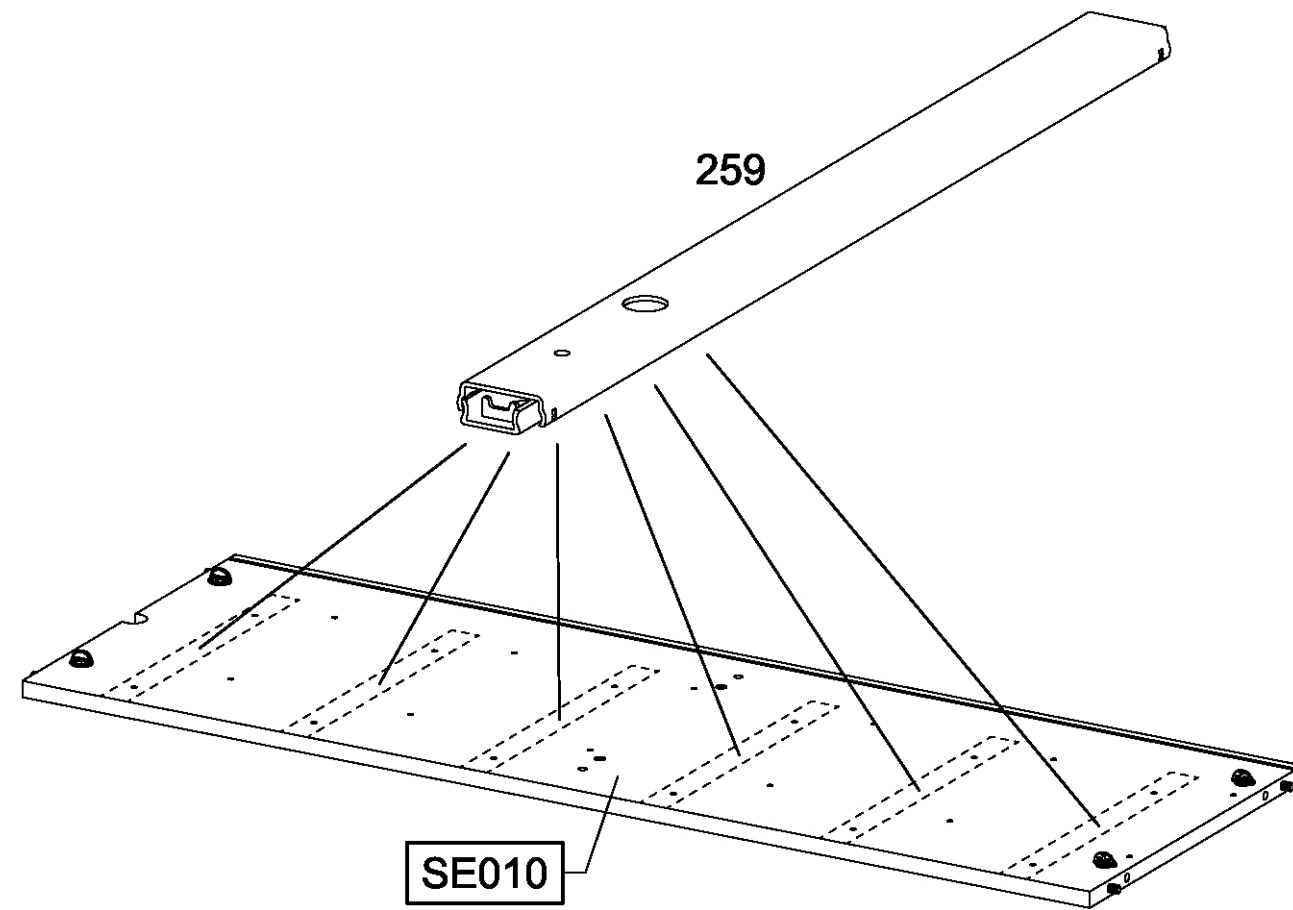
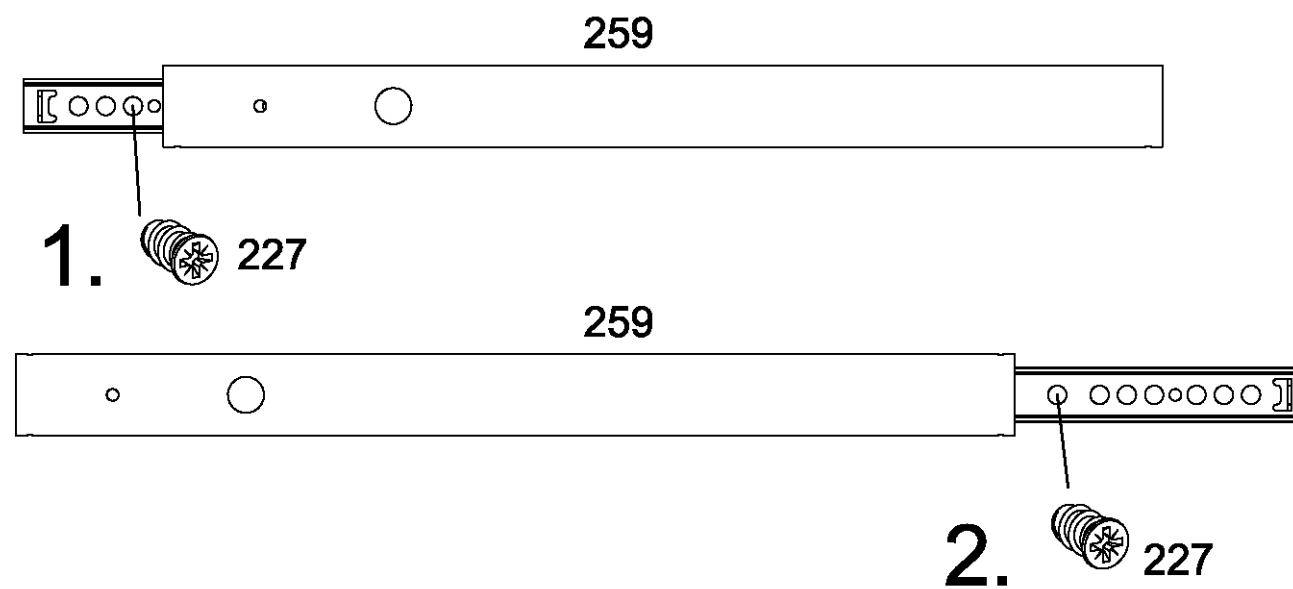
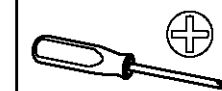
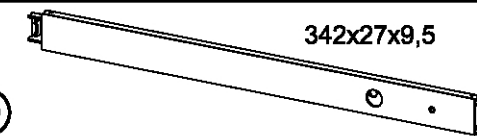
8x 1188



6

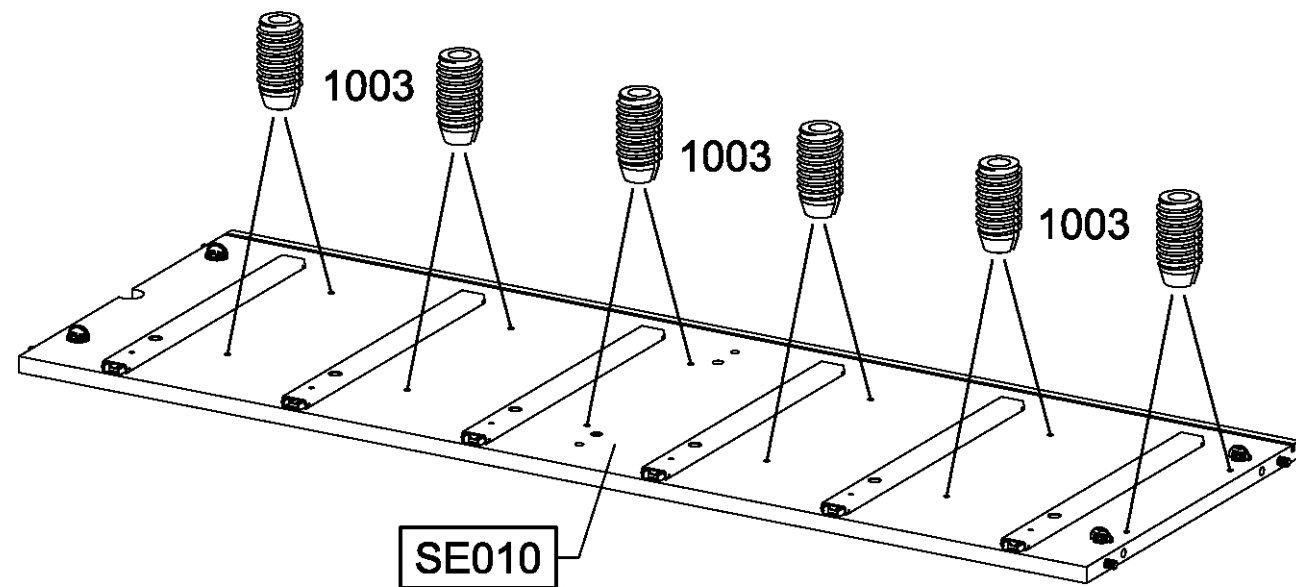
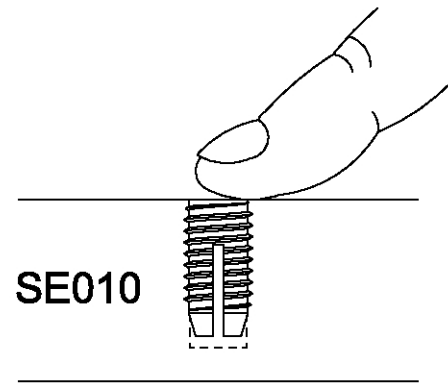
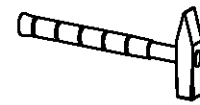
12x 227 6x10,5

6x 259



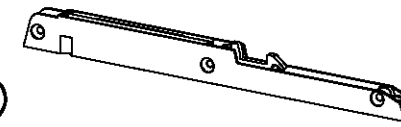
7

12x 1003 6x12

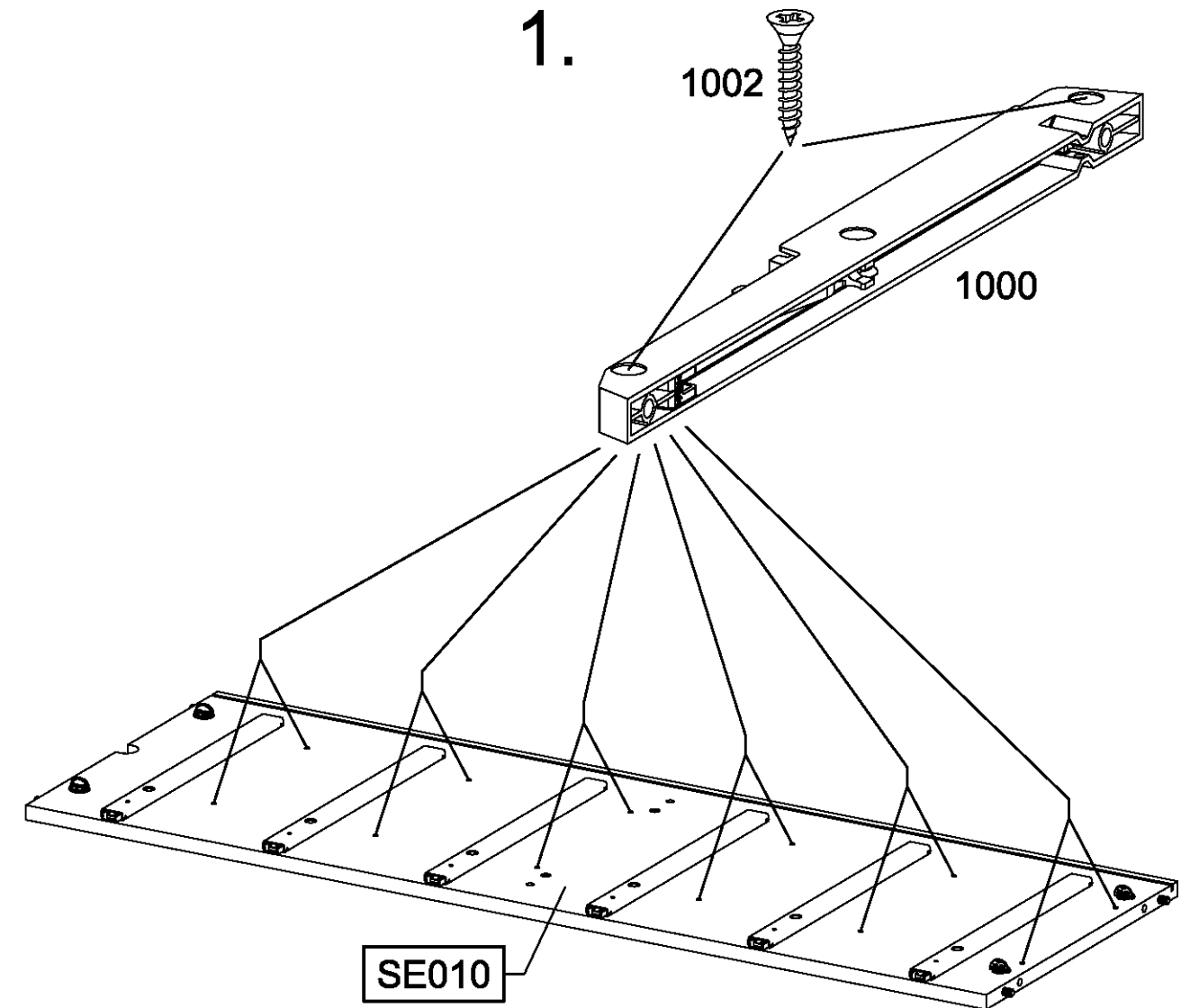
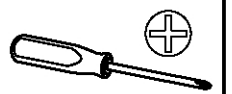


8

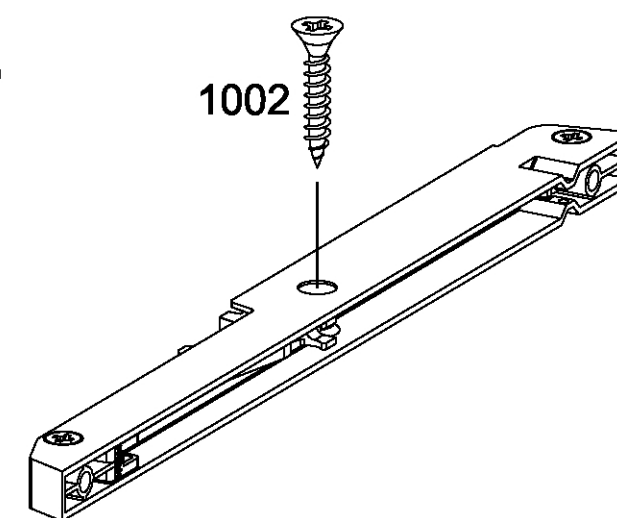
6x 1000



18x 1002 3,5x20



2.

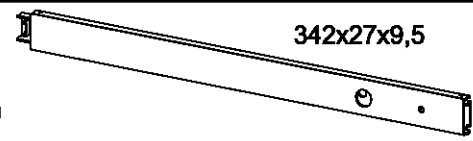


9

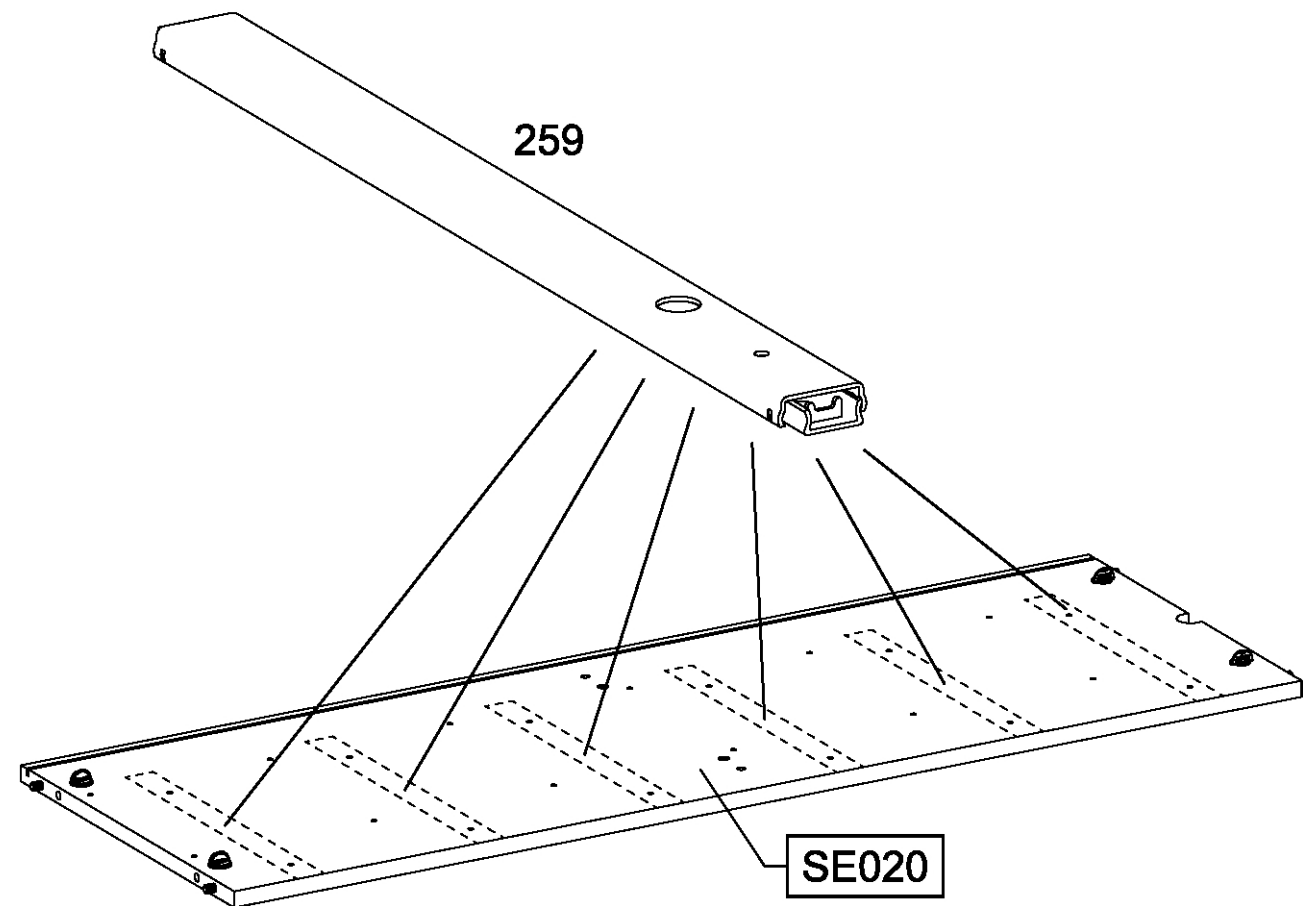
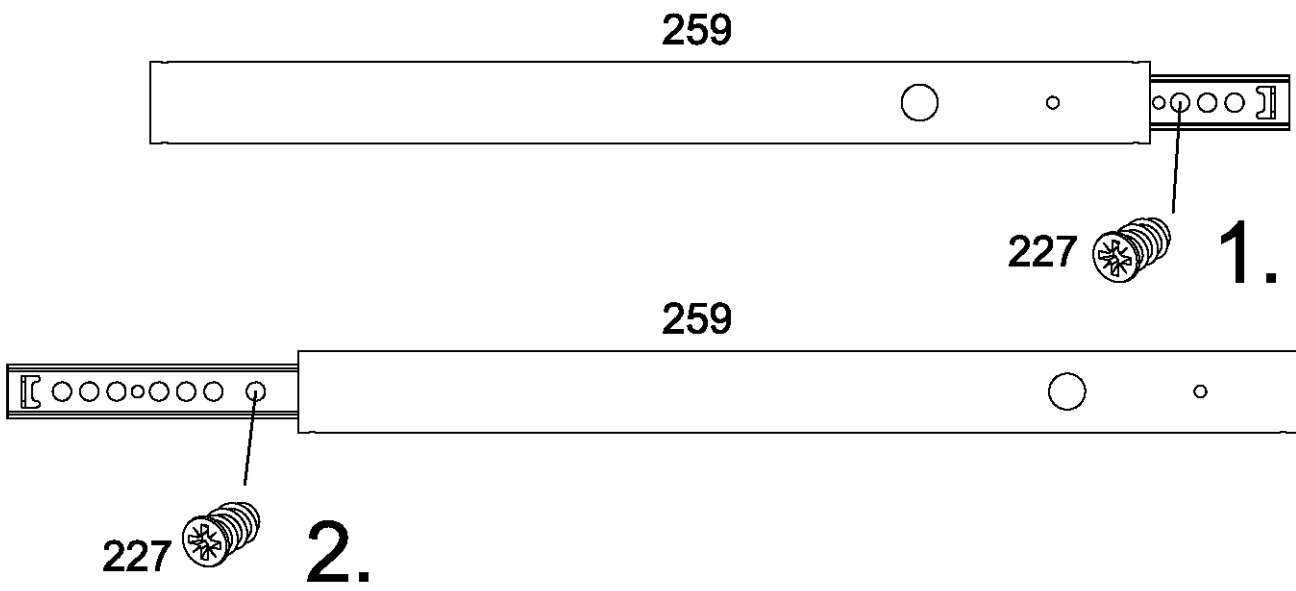
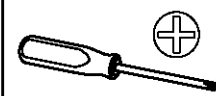
12x

227 6x10,5

6x 259



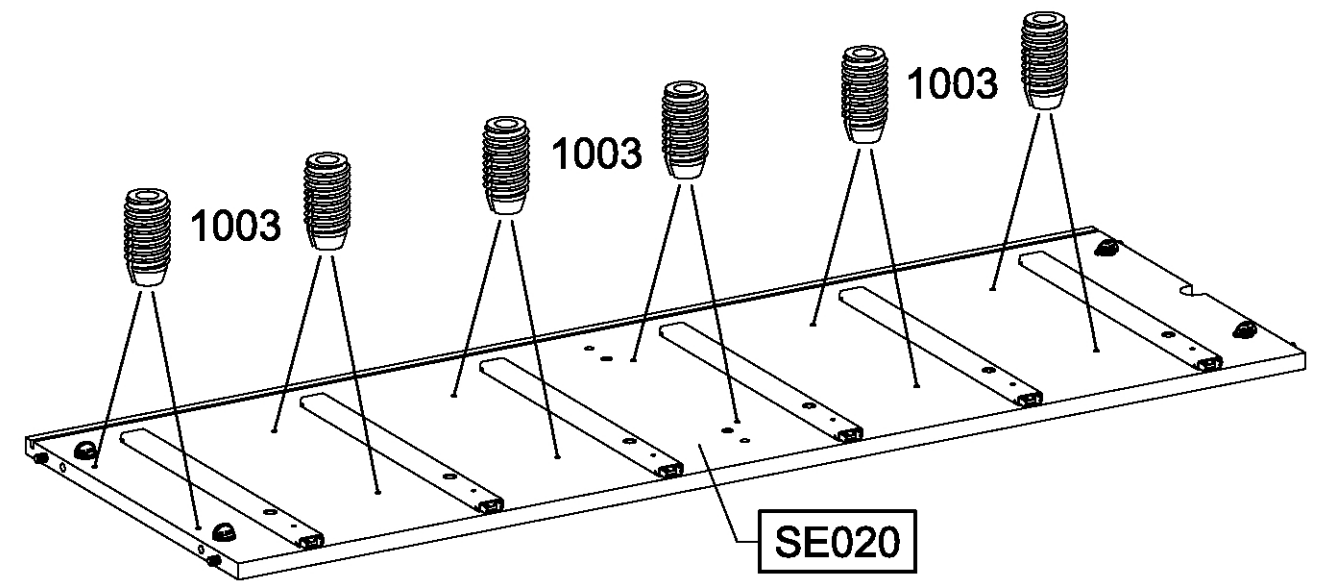
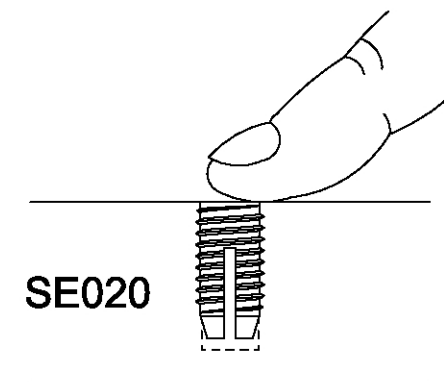
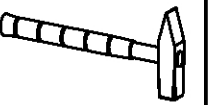
342x27x9,5



10

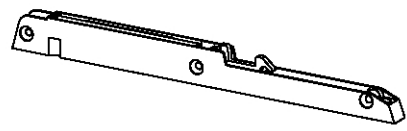
12x

1003 6x12

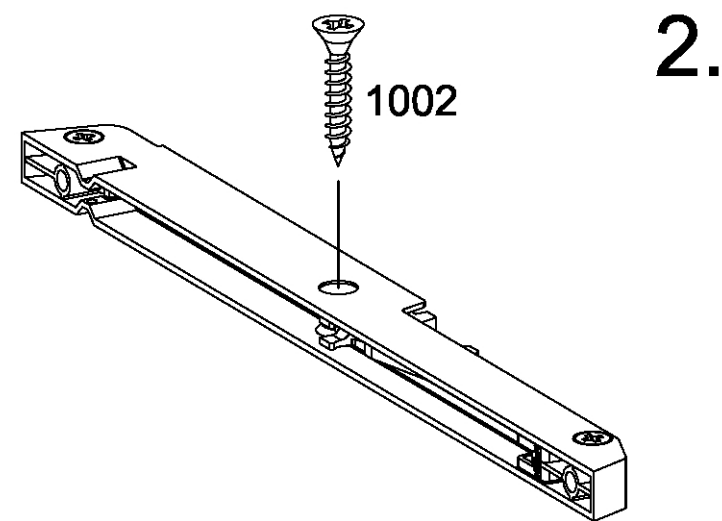
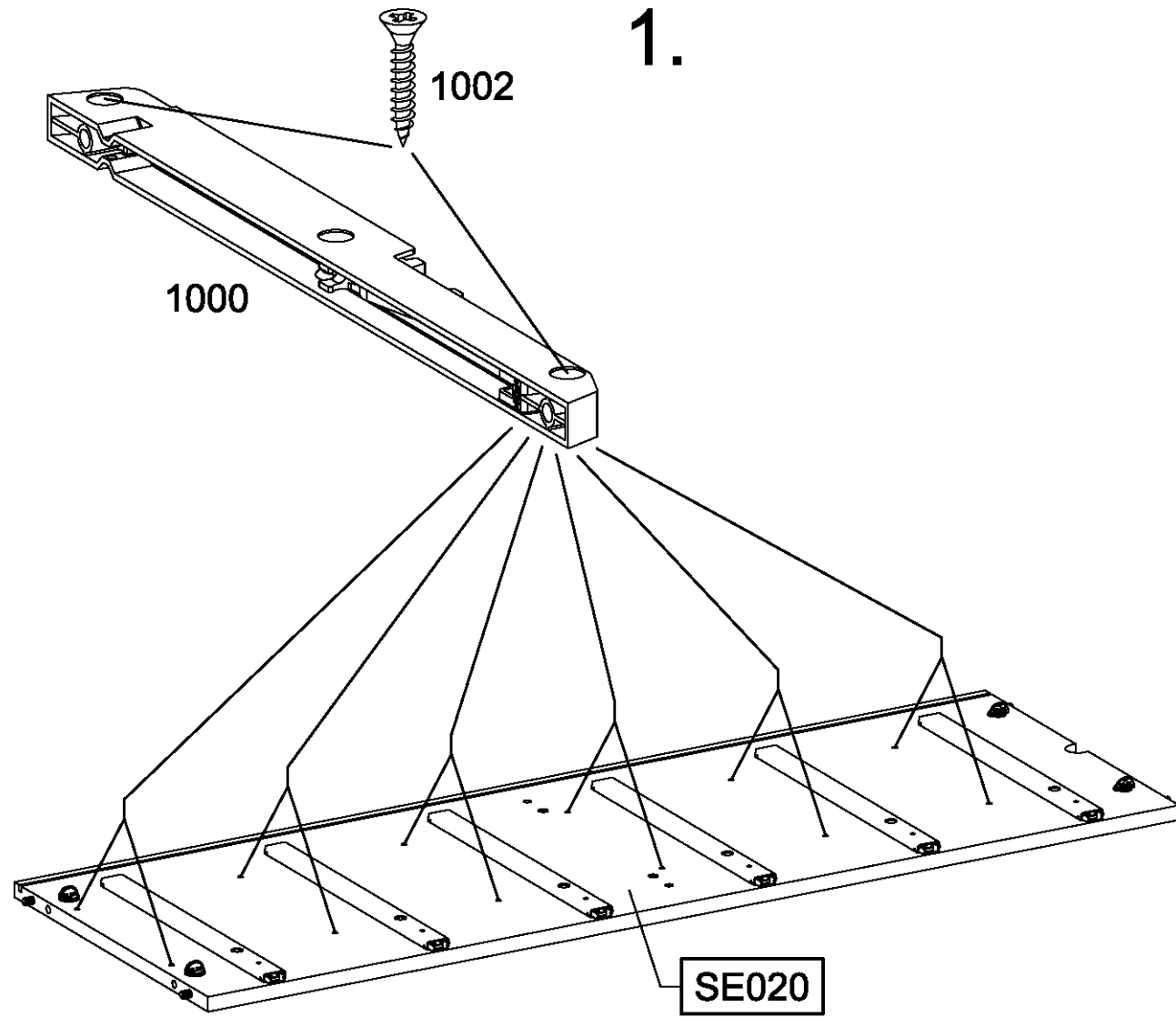
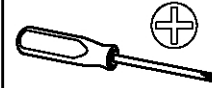
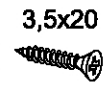


11

6x 1000

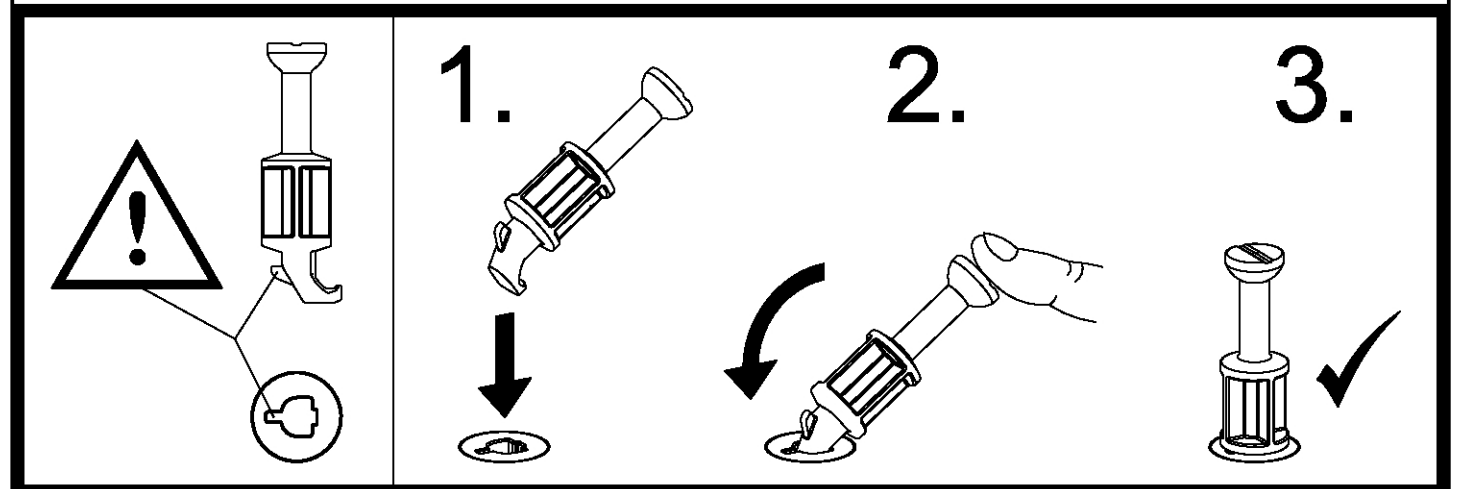
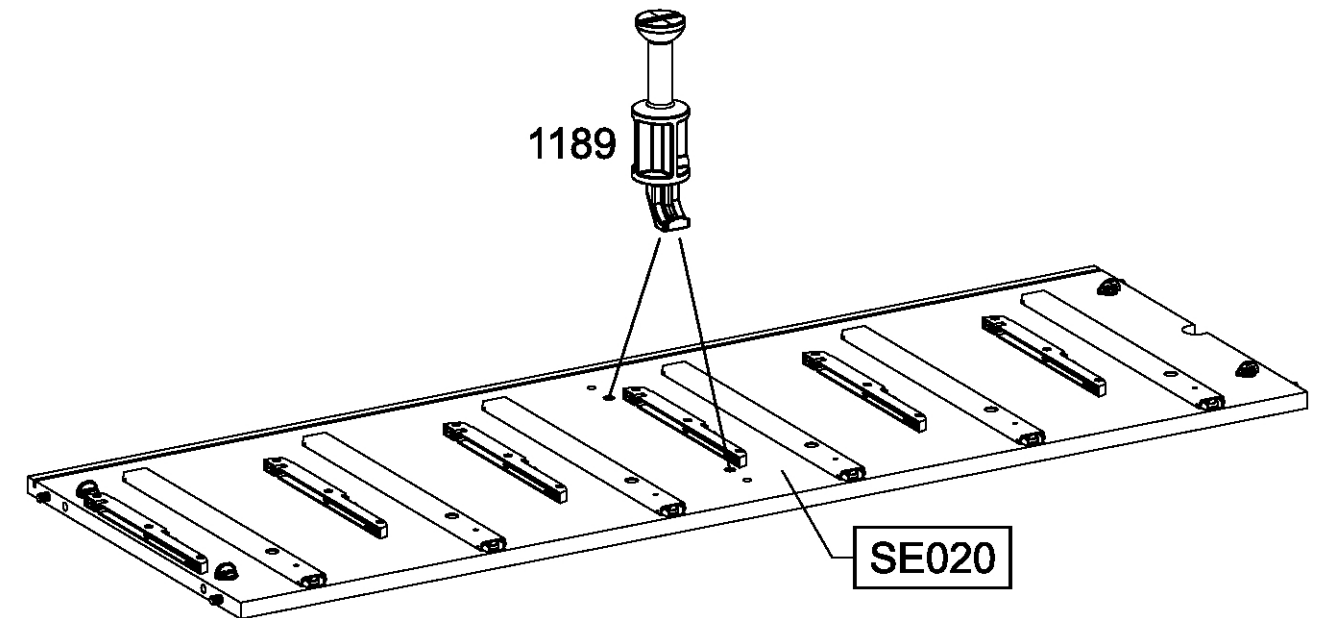
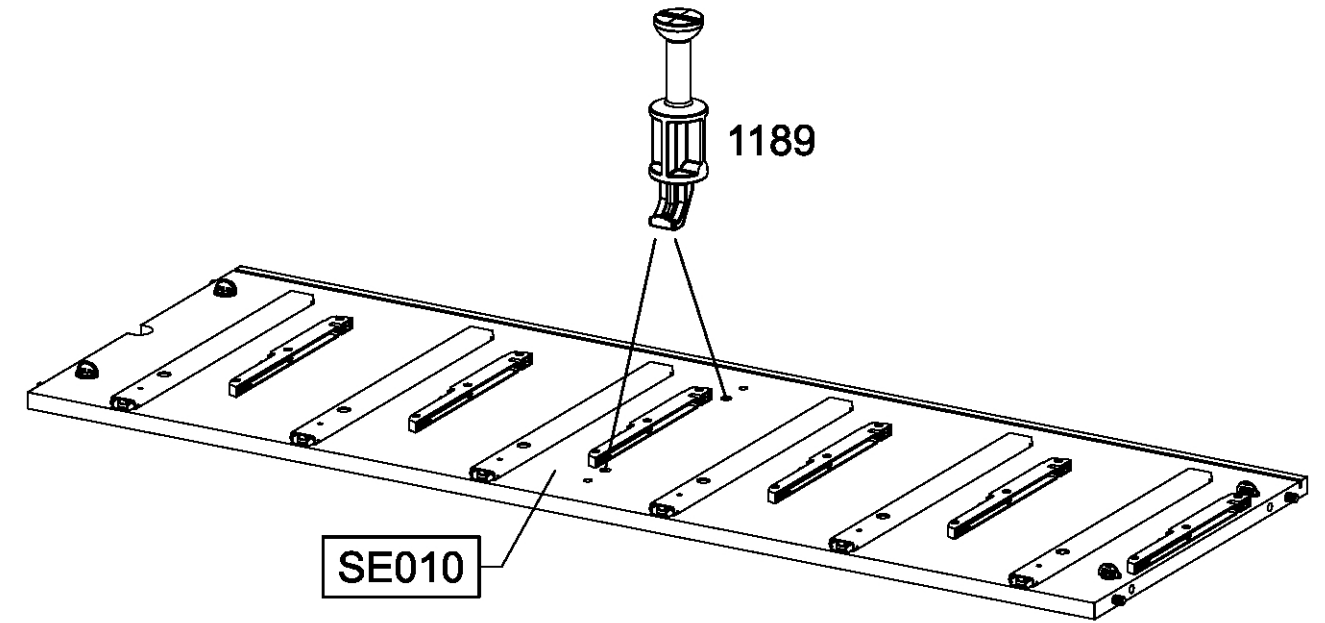


18x 1002



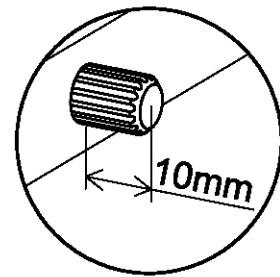
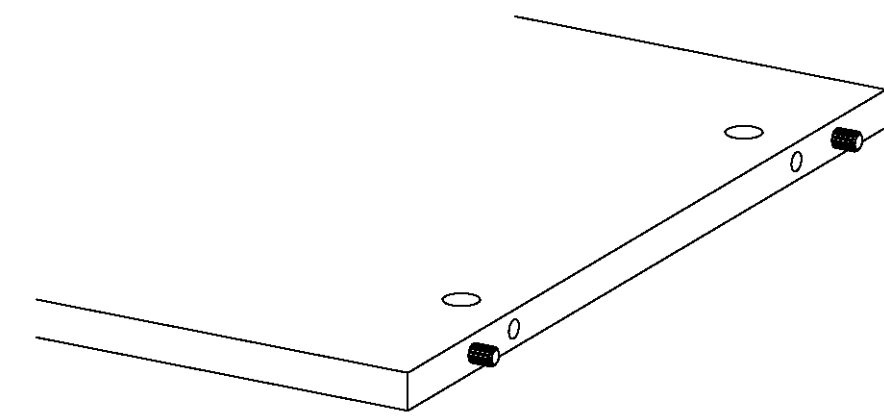
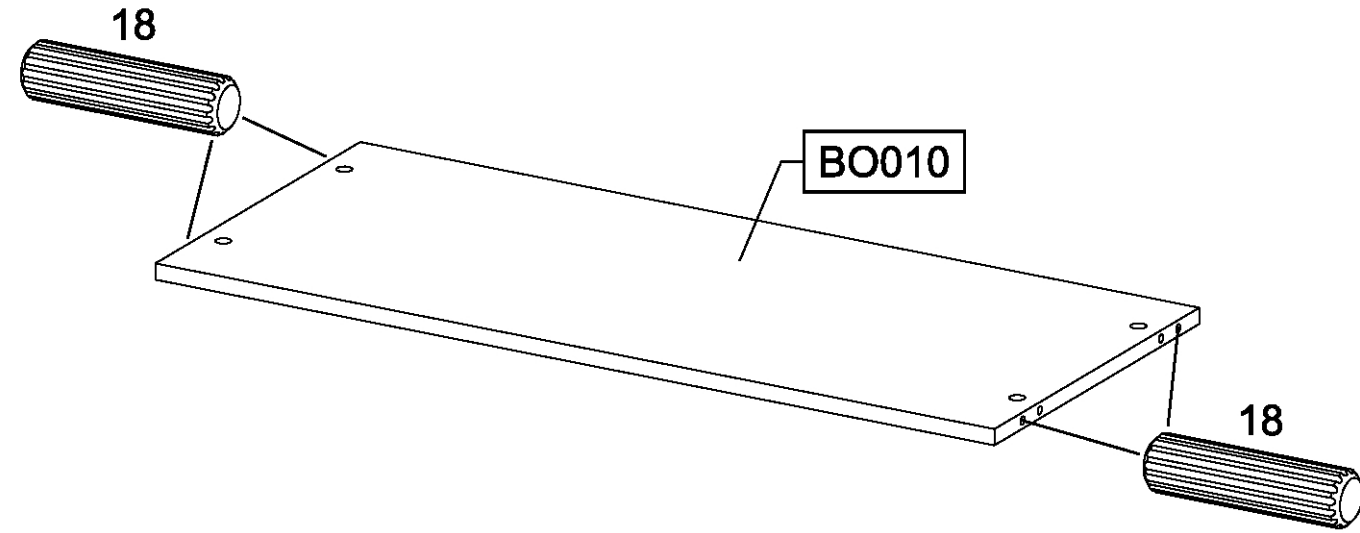
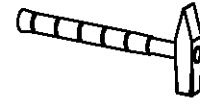
12

4x 1189



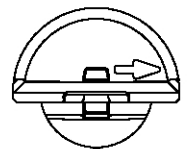
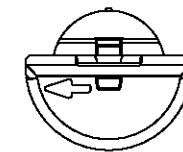
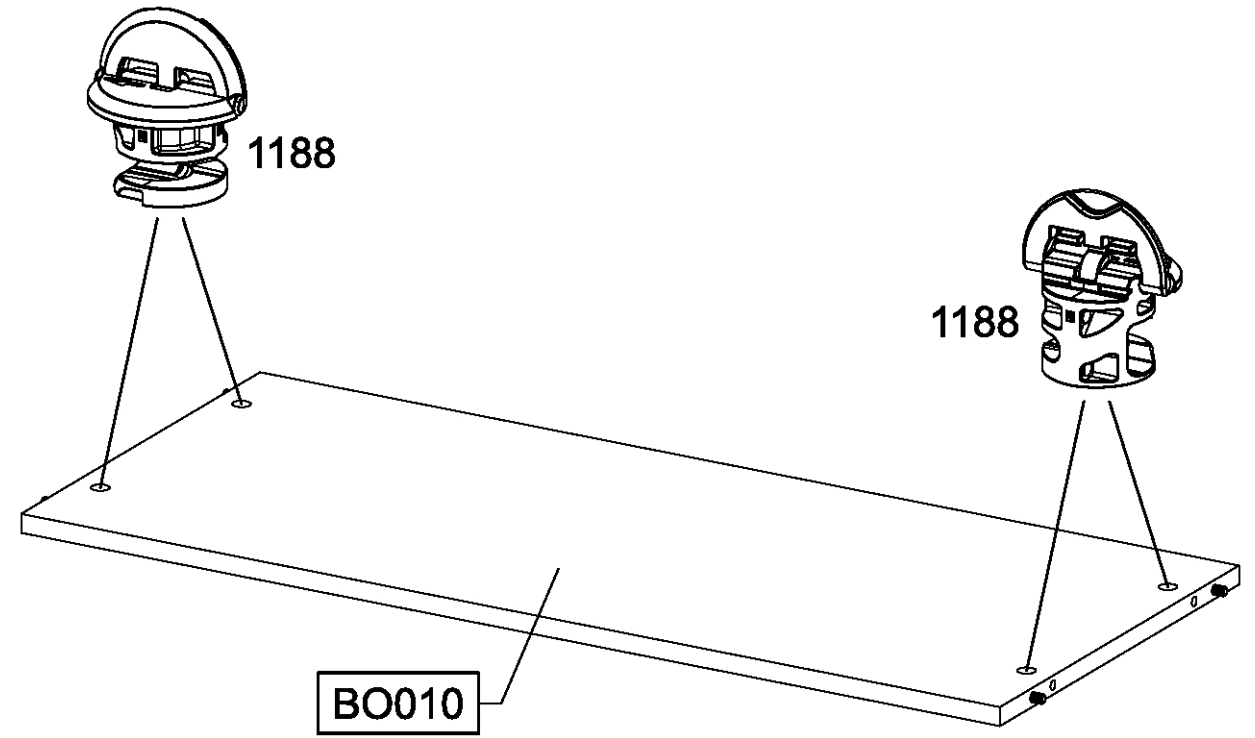
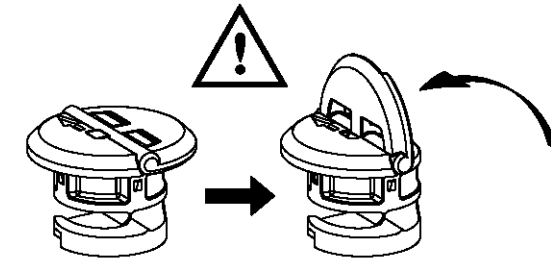
13

4x 18 8x30

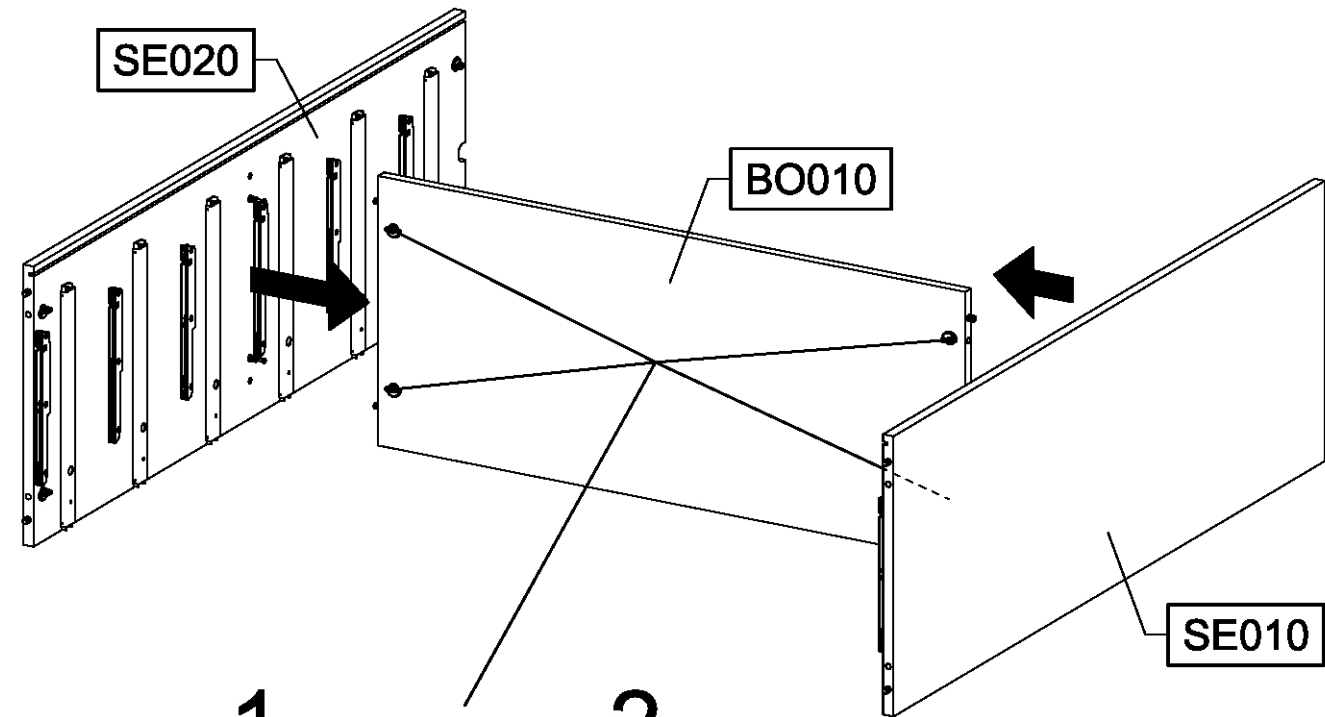


14

4x 1188

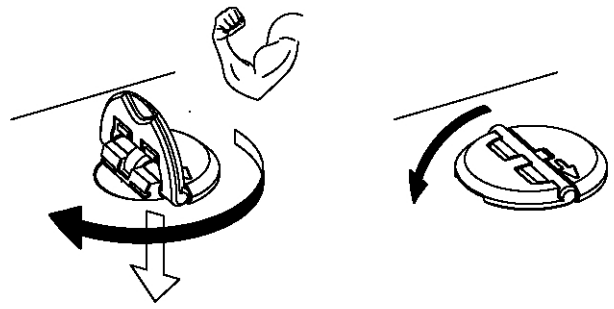


15



1.

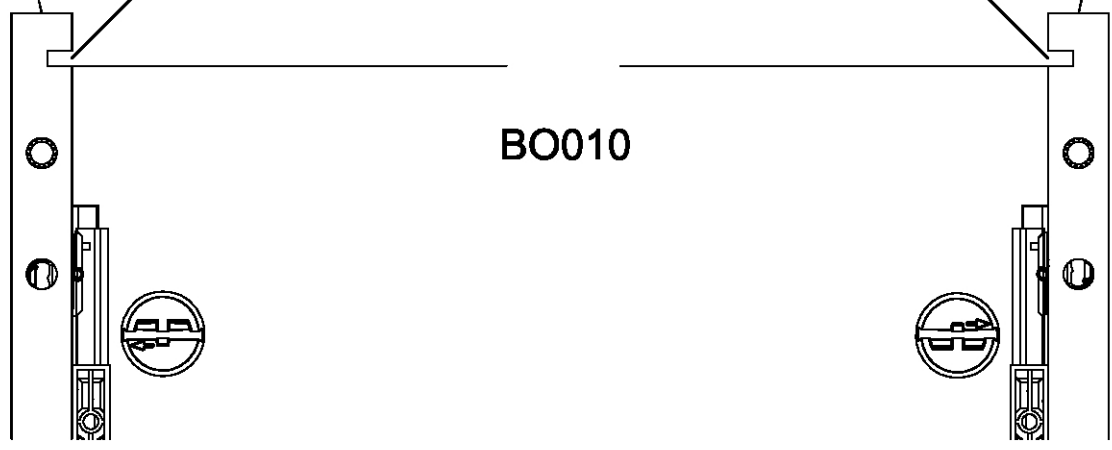
2.



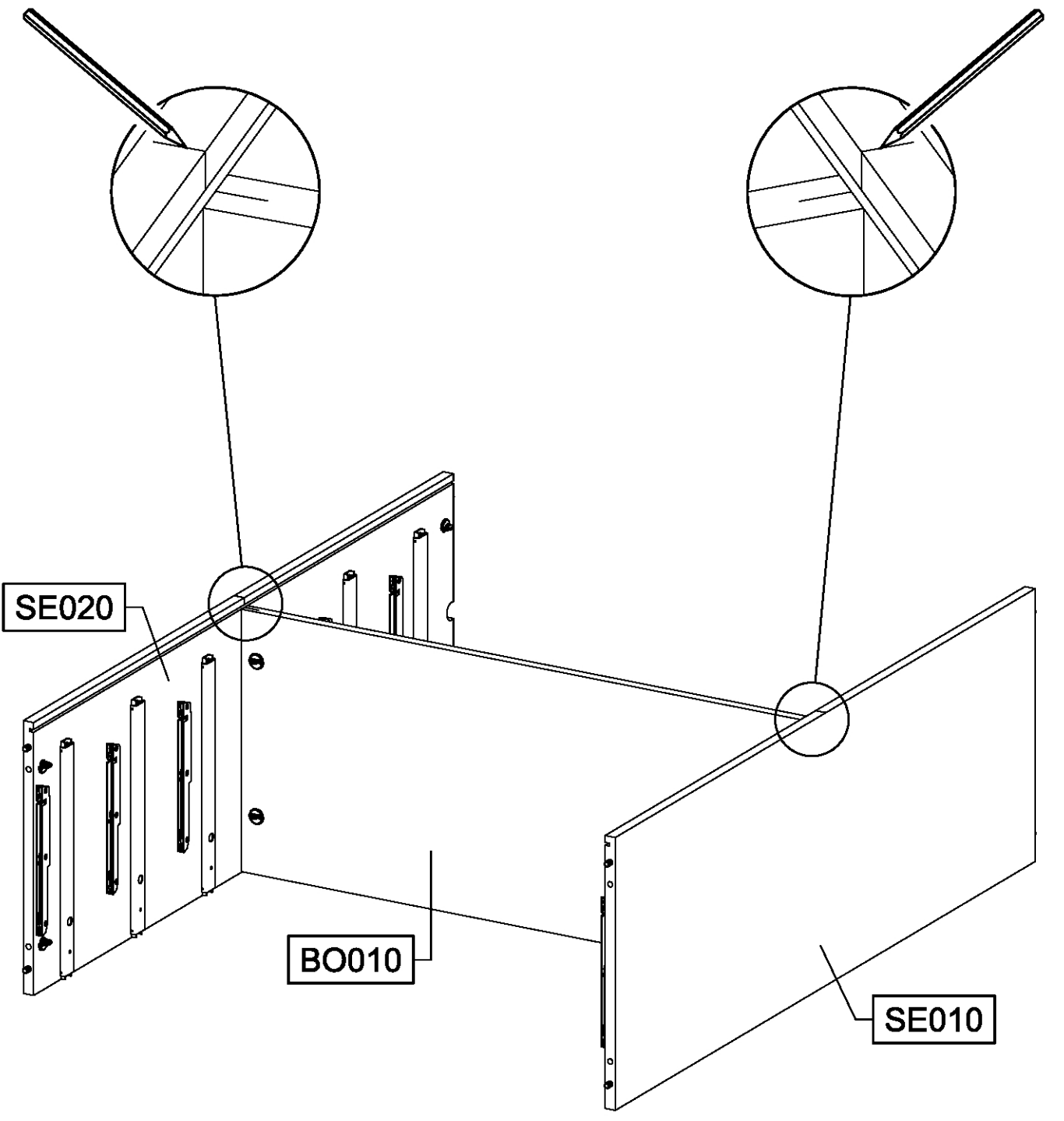
SE020

SE010

BO010



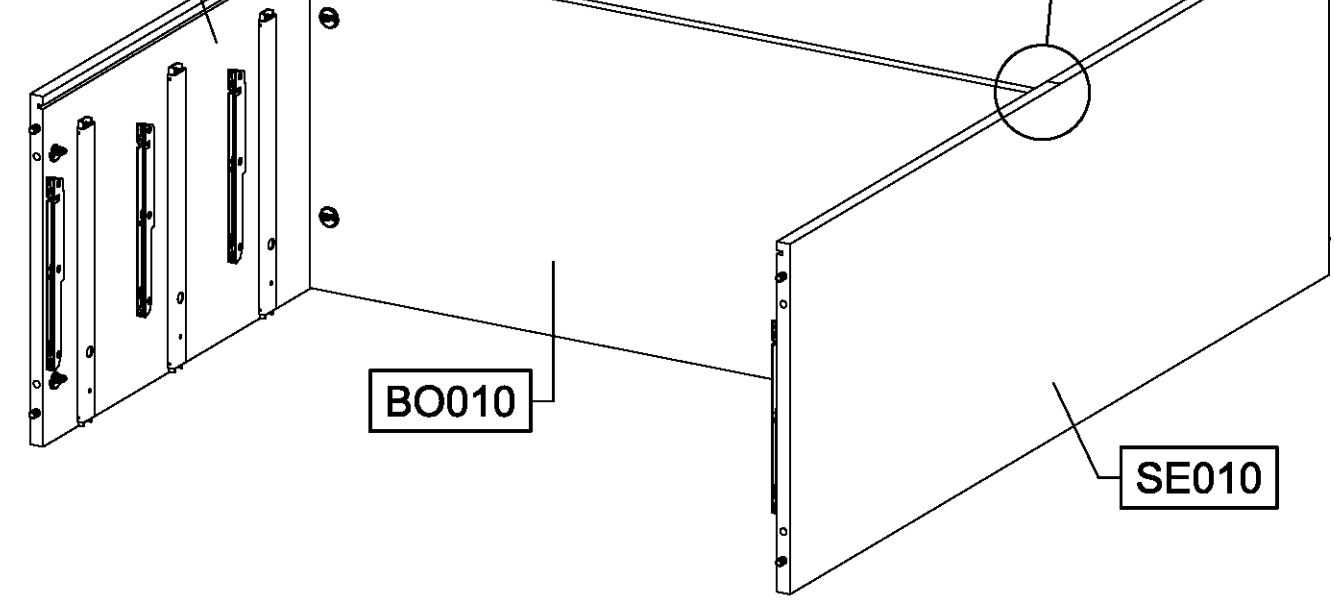
16



SE020

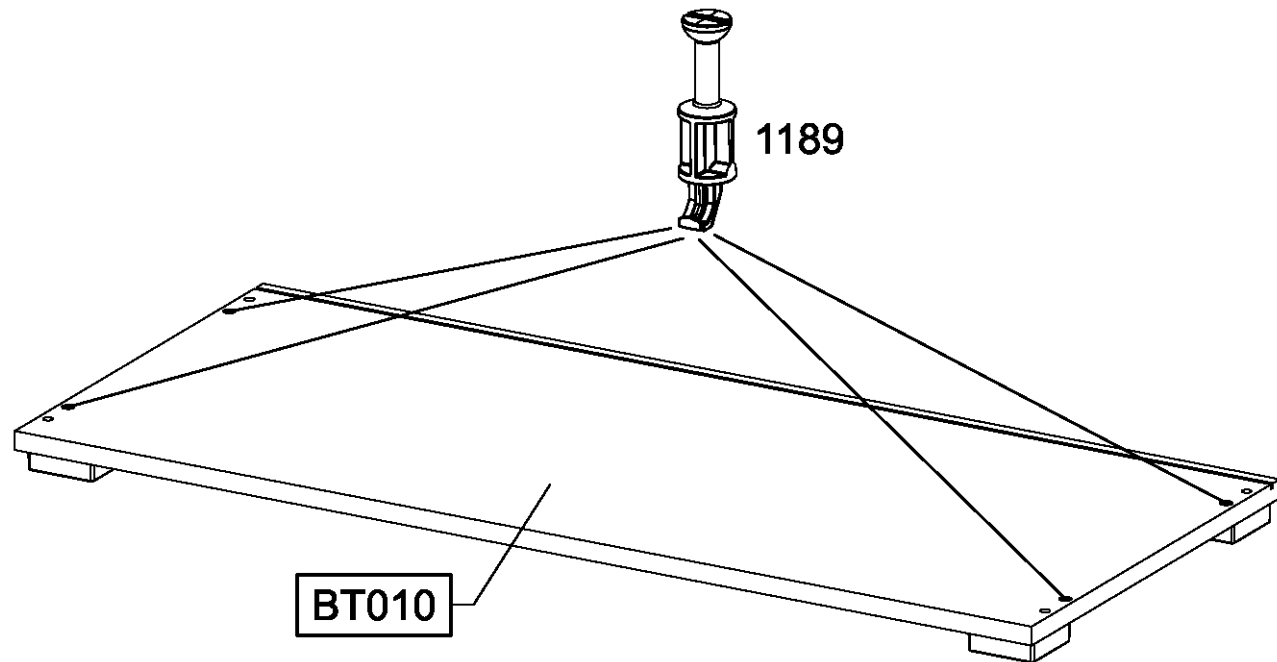
BO010

SE010



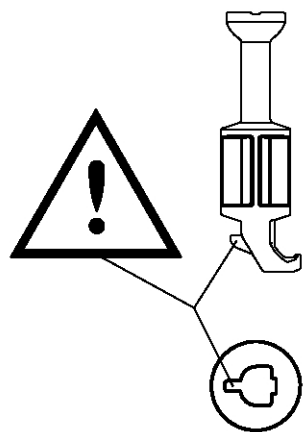
17

4x 1189

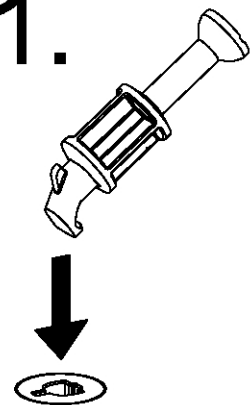


BT010

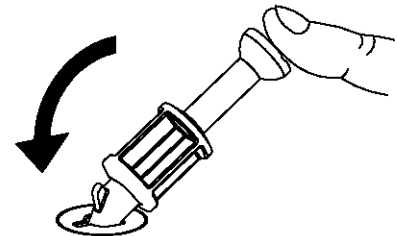
1189



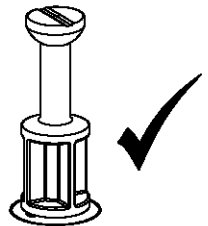
1.



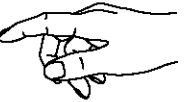
2.



3.

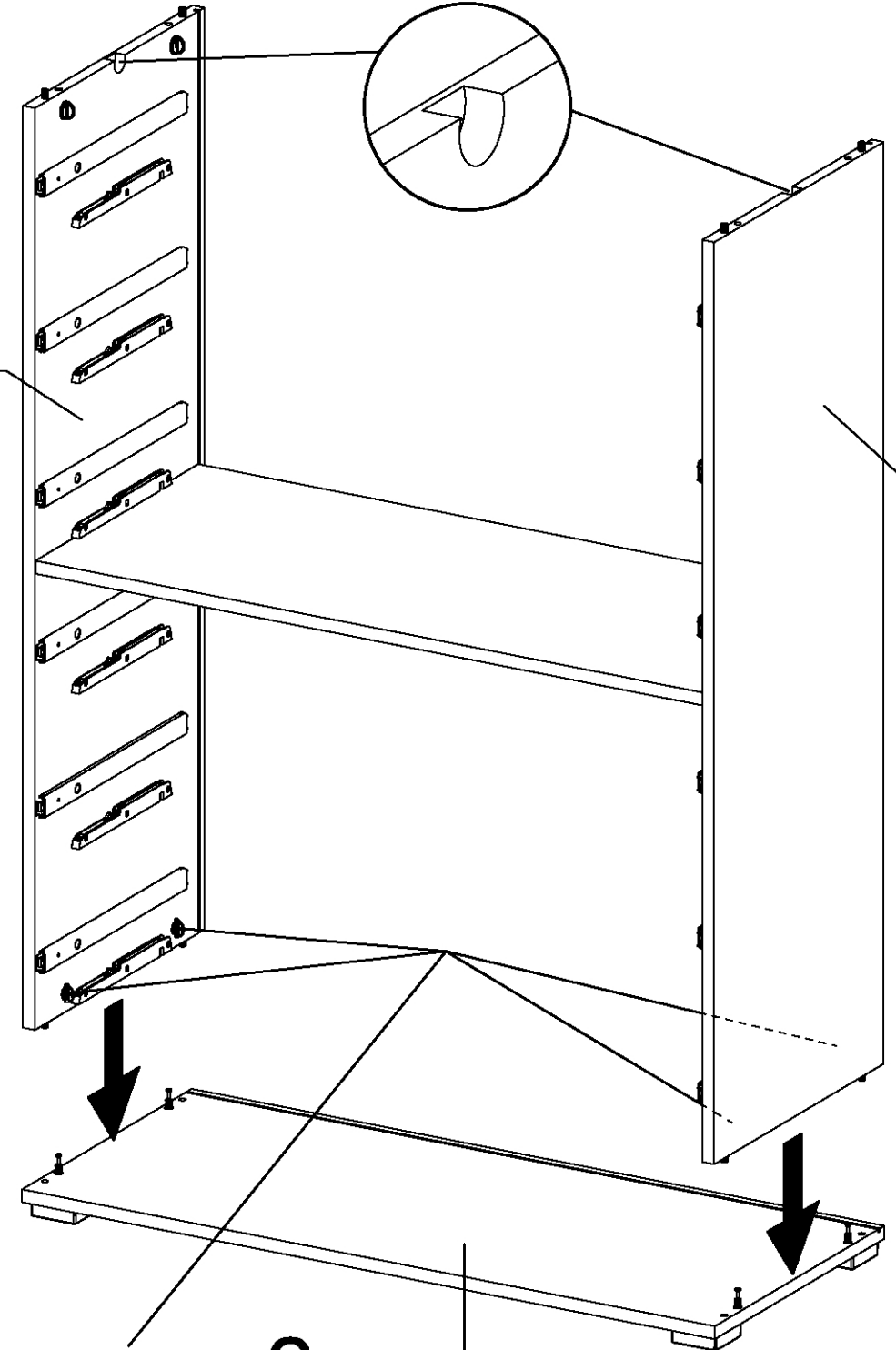


18

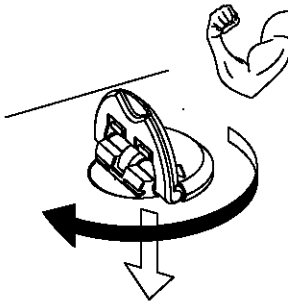


SE010

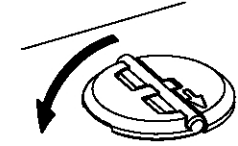
SE020



1.

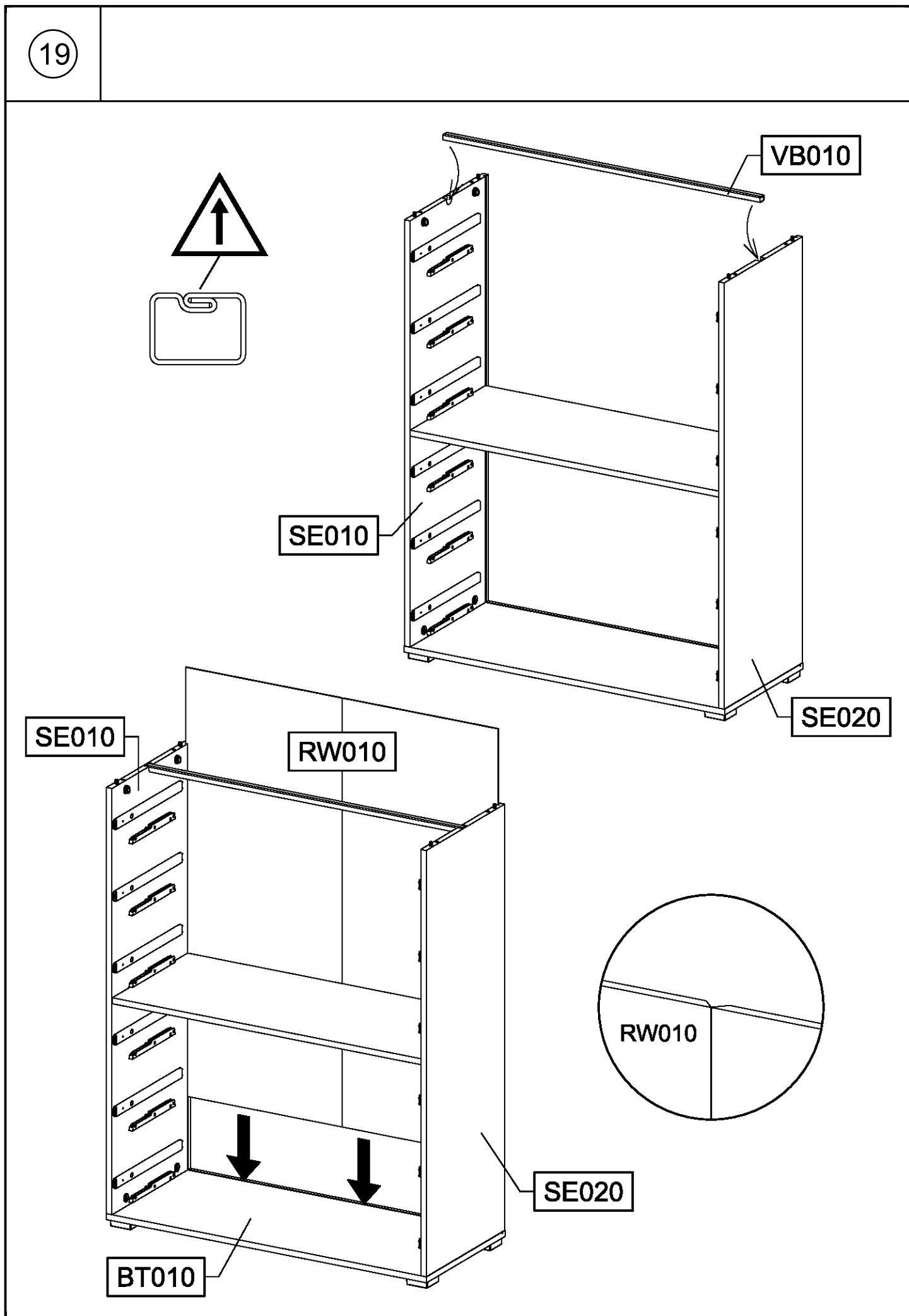


2.



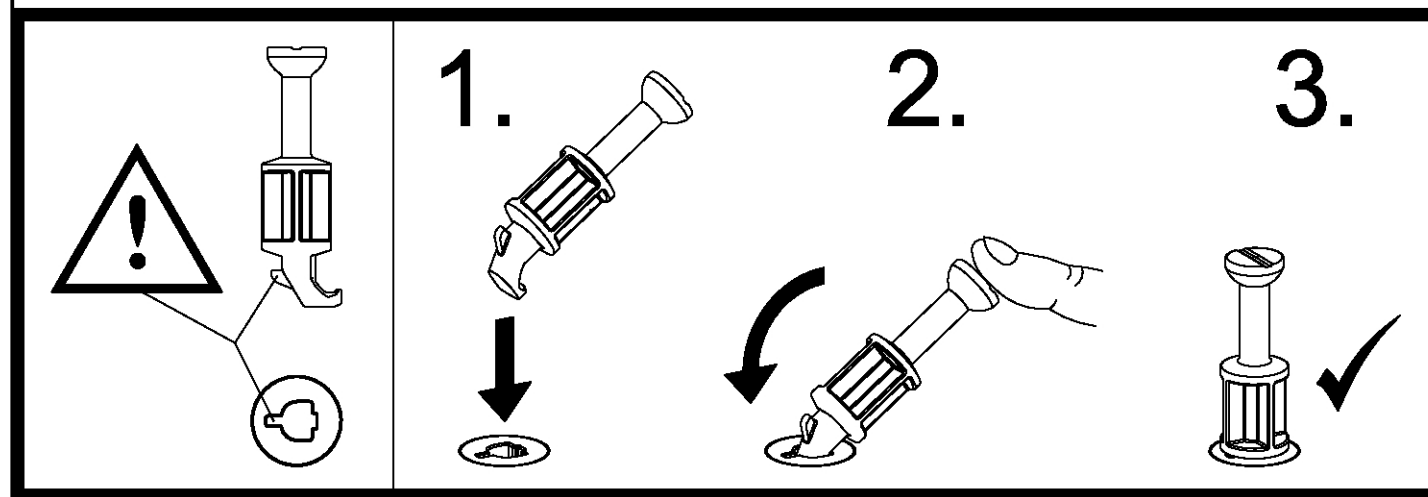
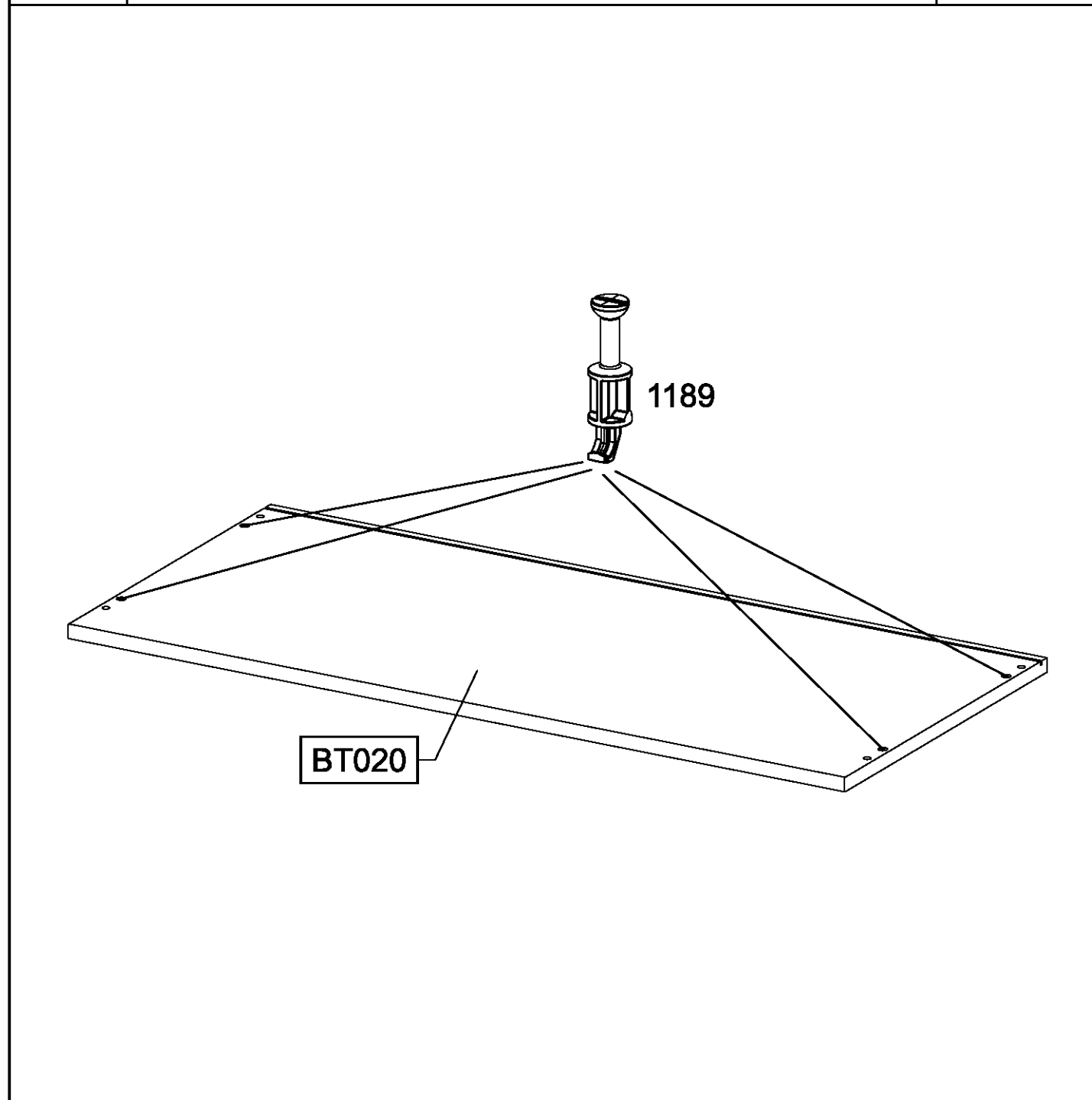
BT010

19

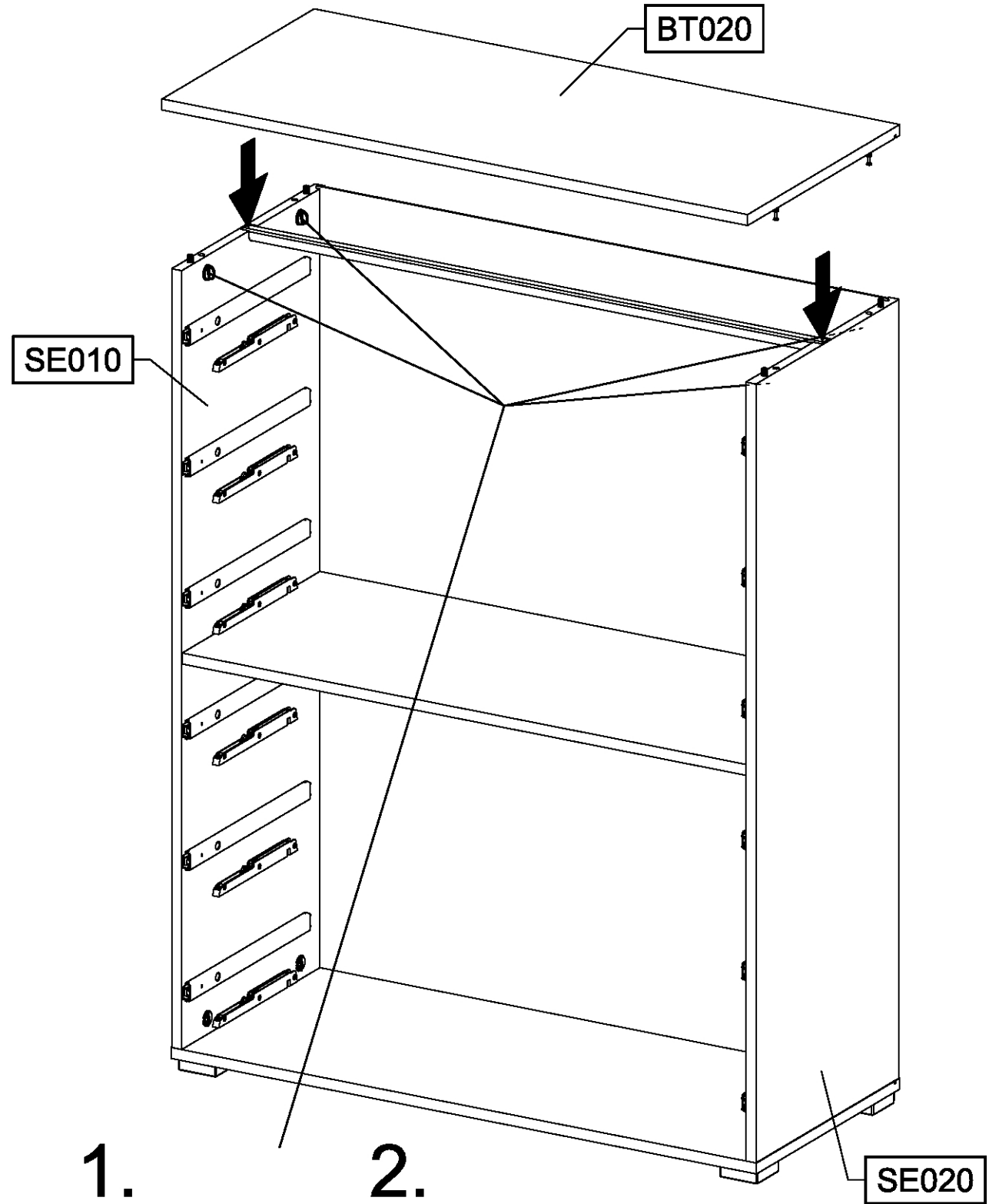


20

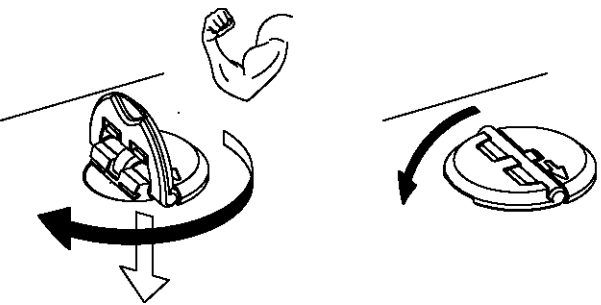
4x 1189



21

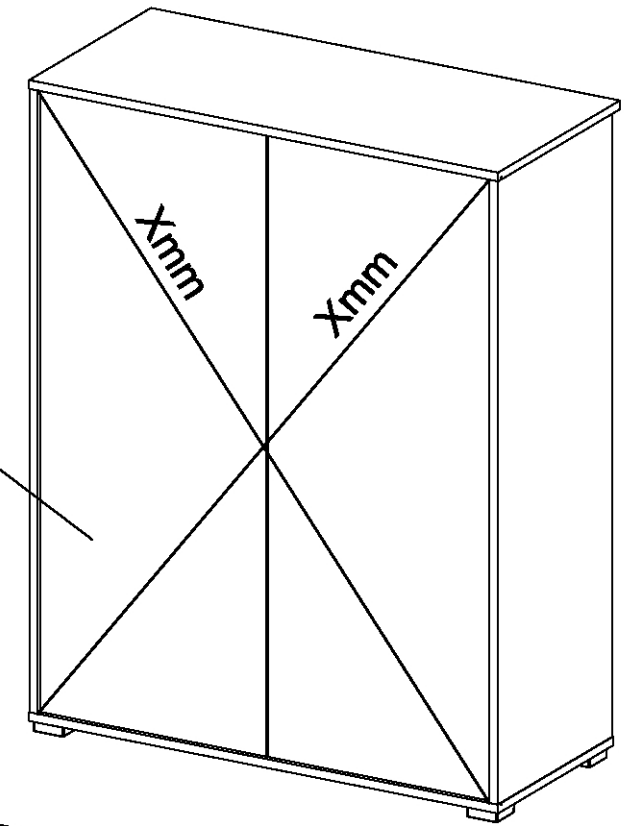
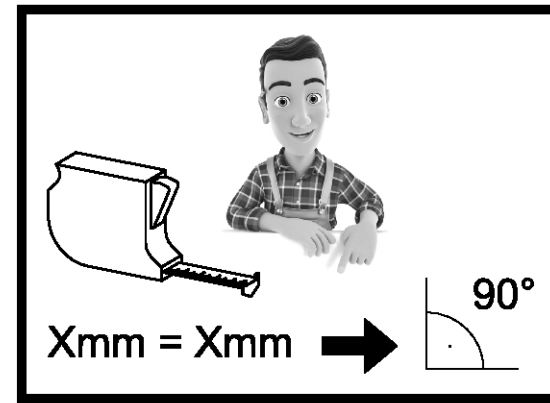
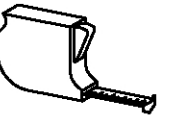


1. 2.

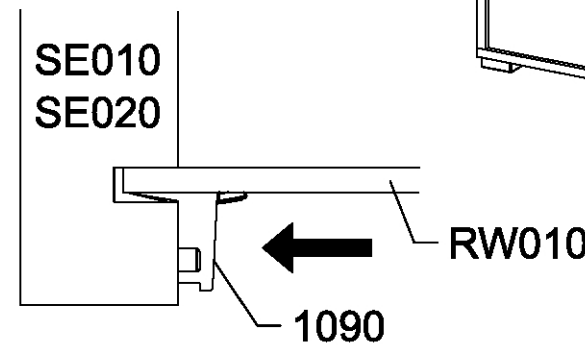
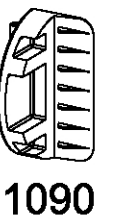
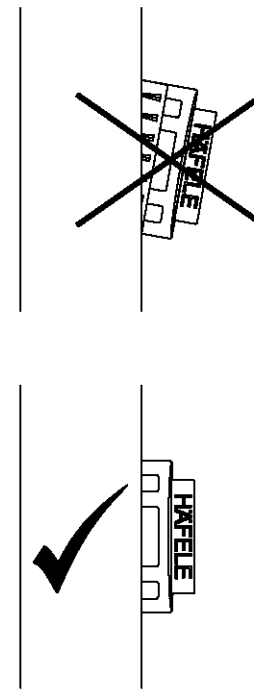


22

6x 1090

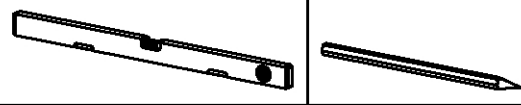


RW010

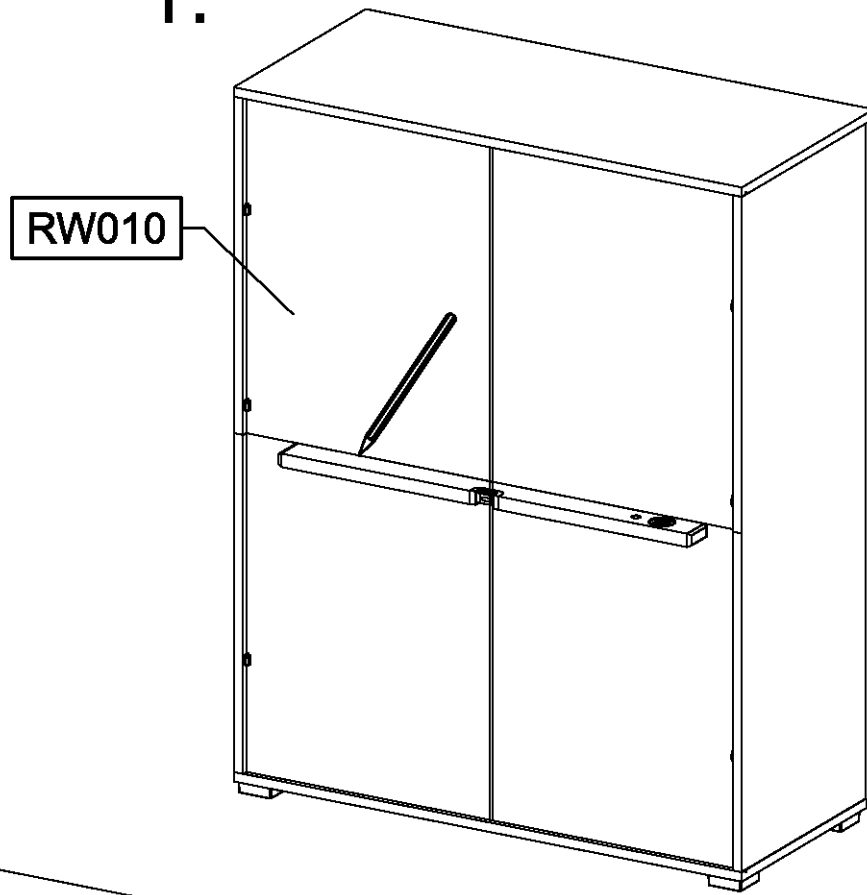


23

6x 215 3x20

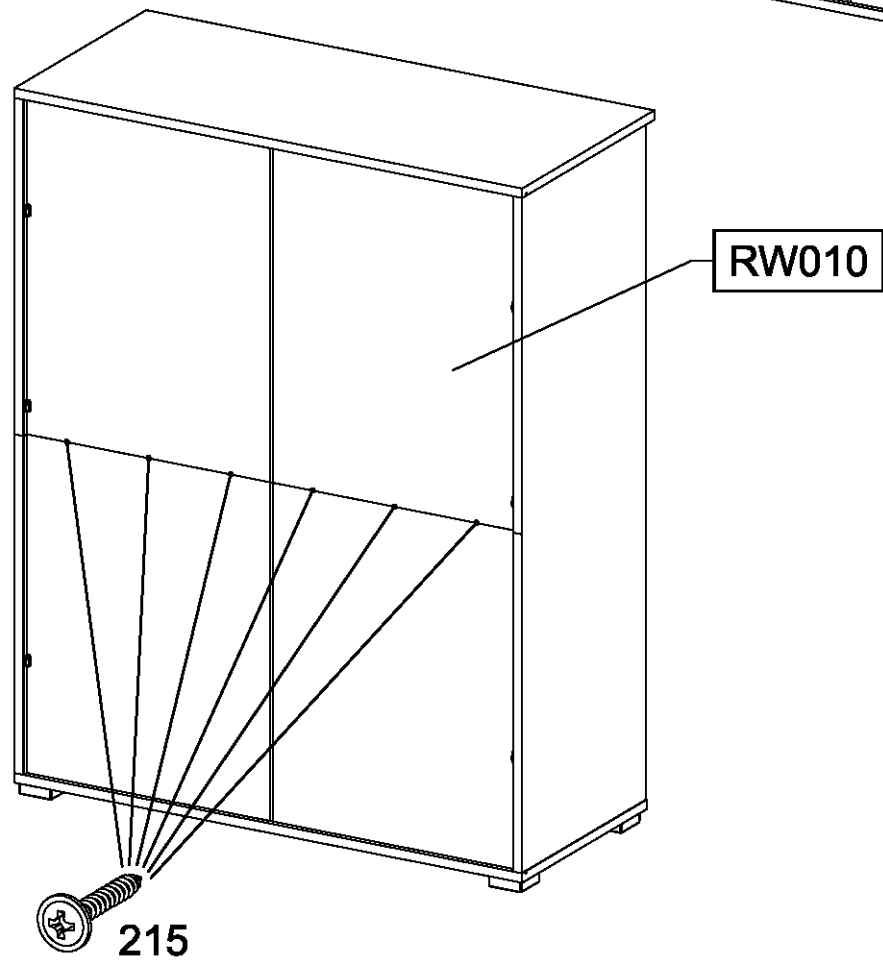


1.



RW010

2.

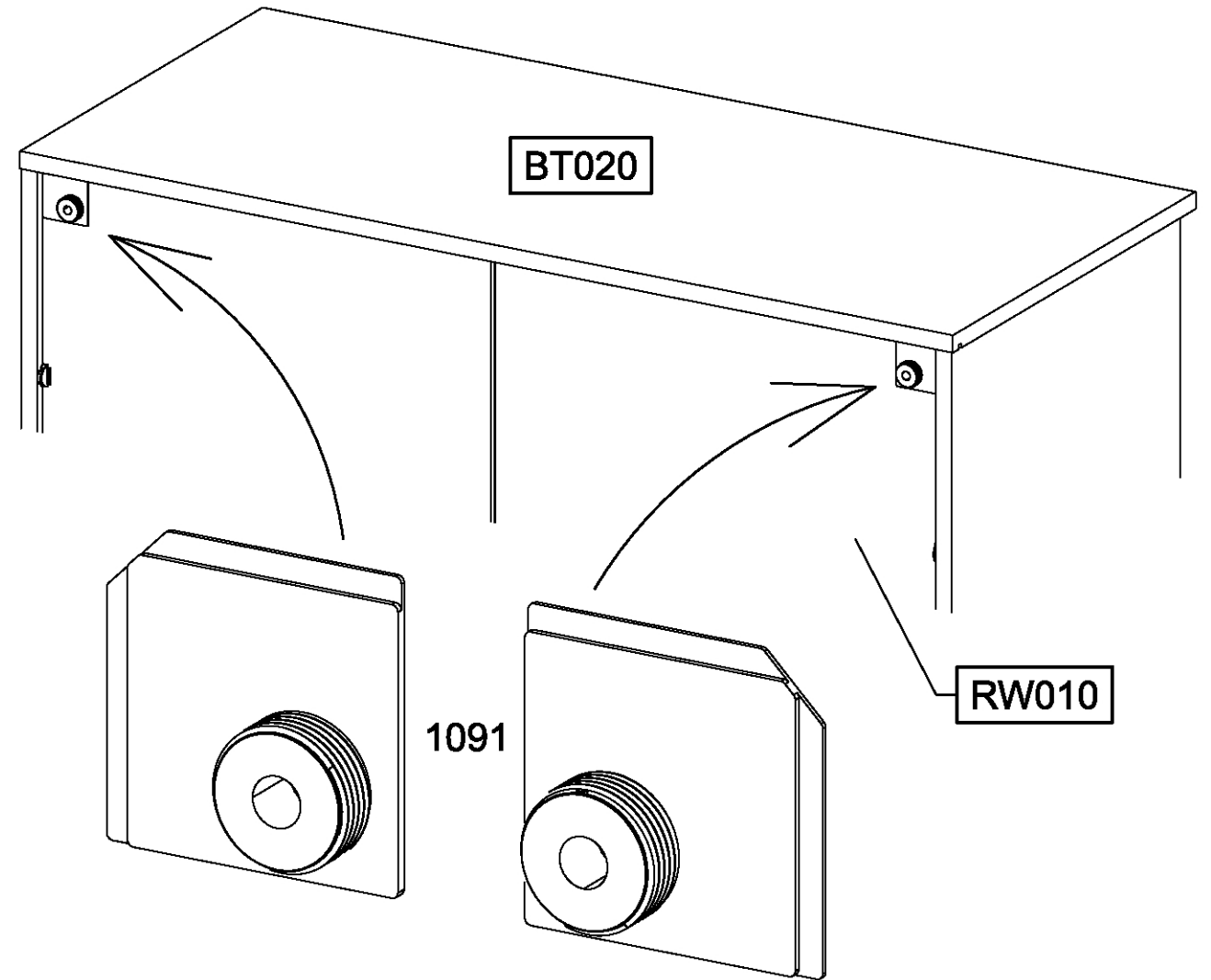
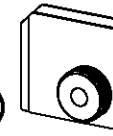


RW010

215

24

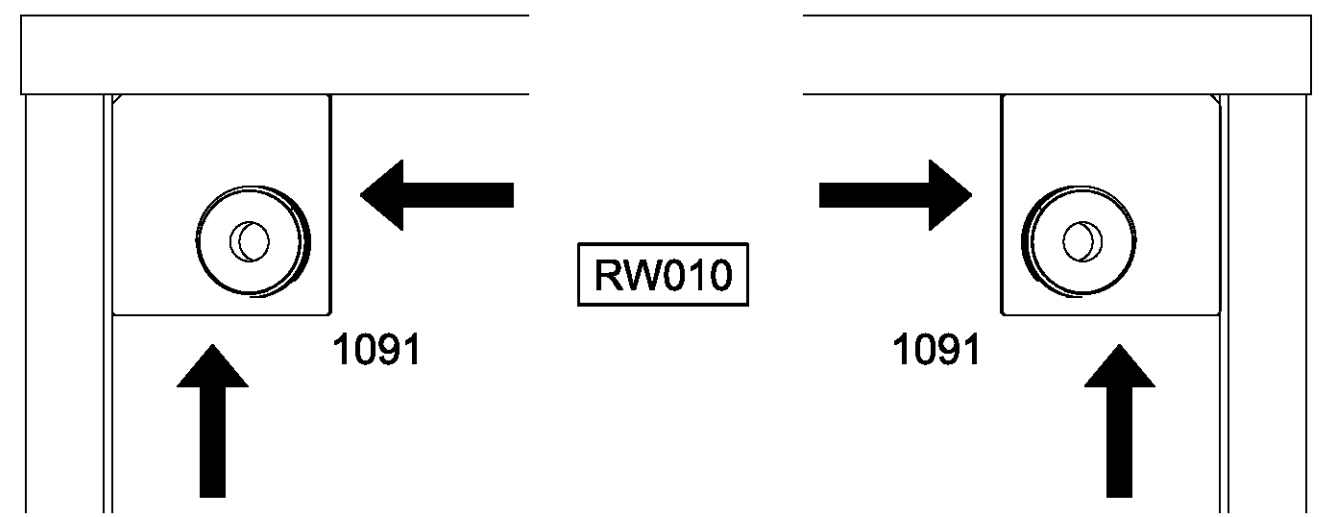
2x 1091



BT020

RW010

1091

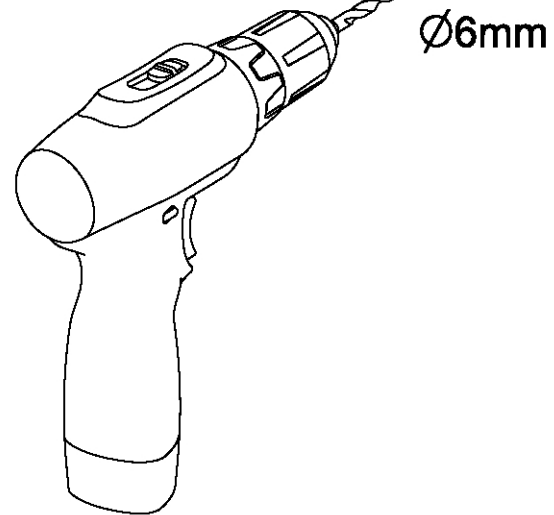
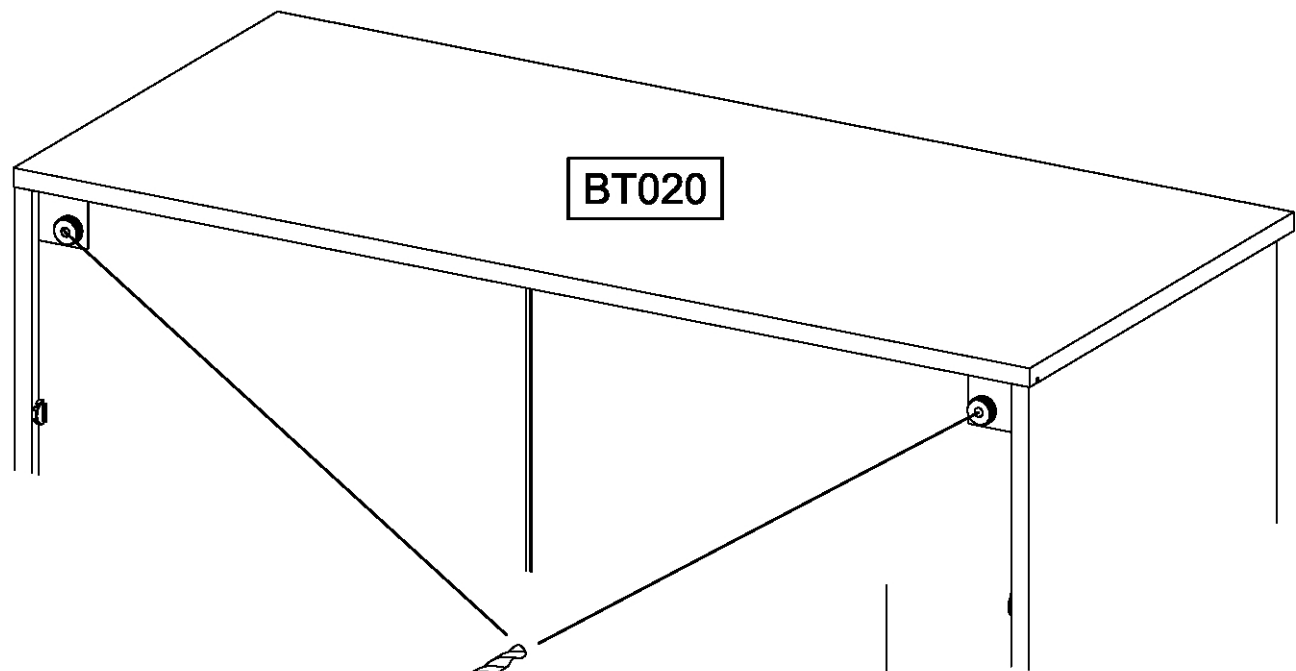
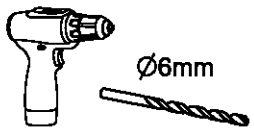


RW010

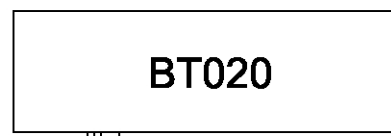
1091

1091

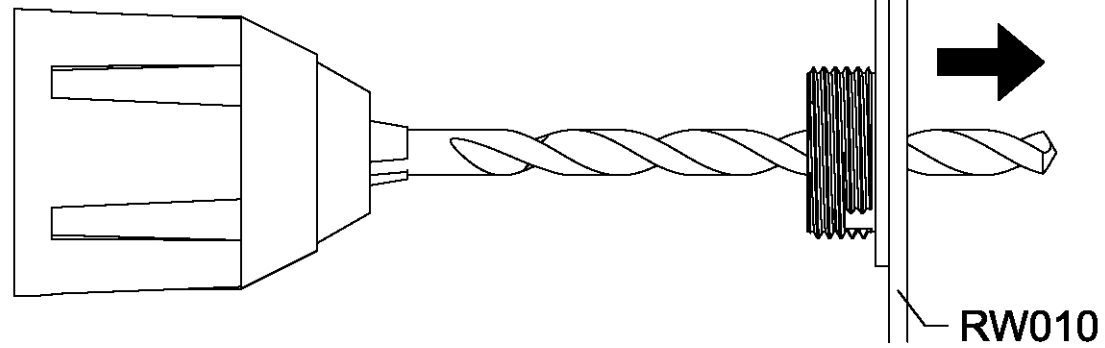
25



RW010

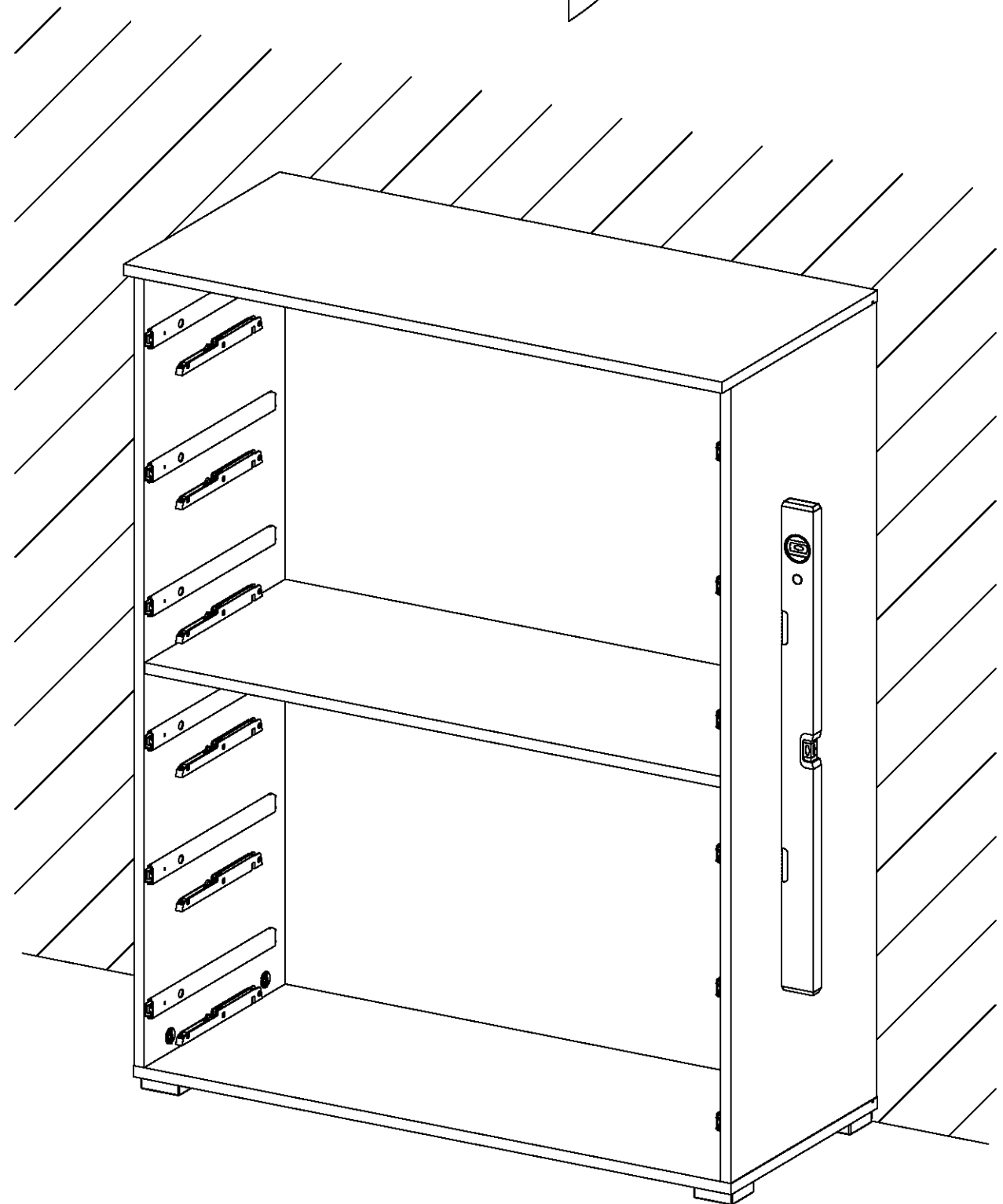
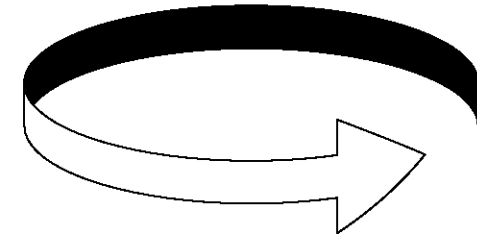


BT020



RW010

26



27

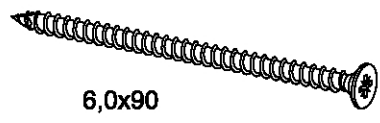
2x

1093

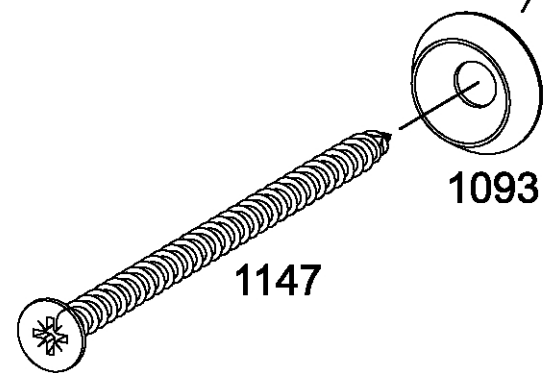
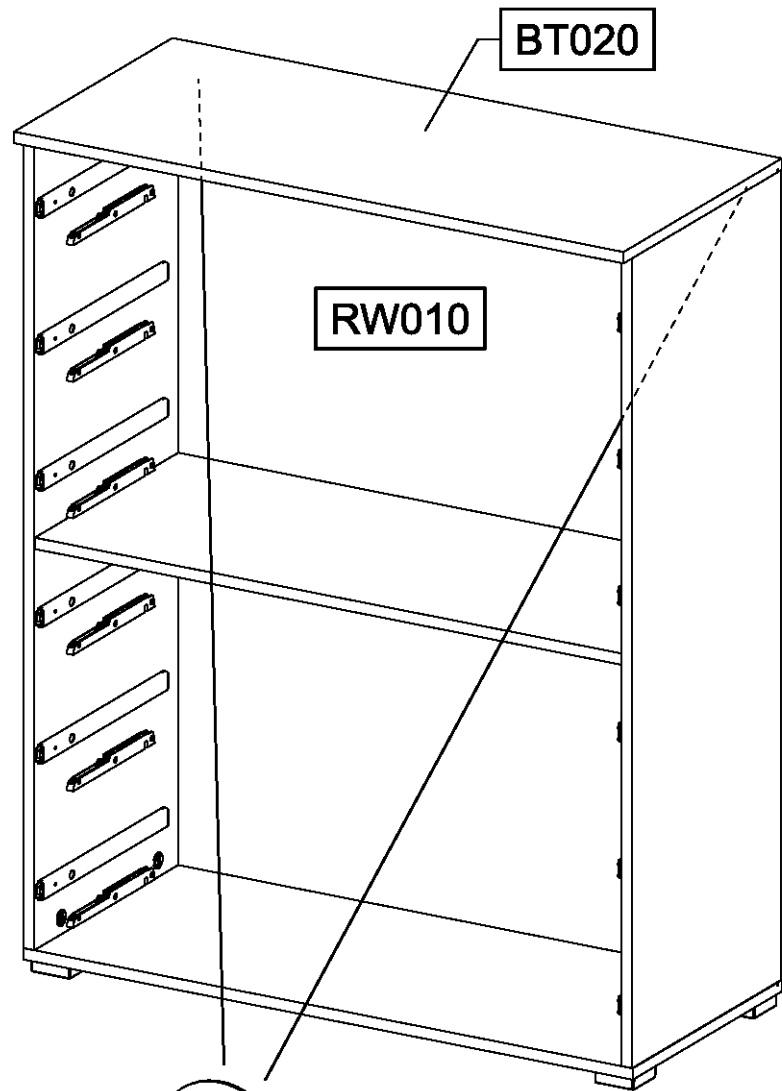
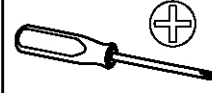


2x

1147

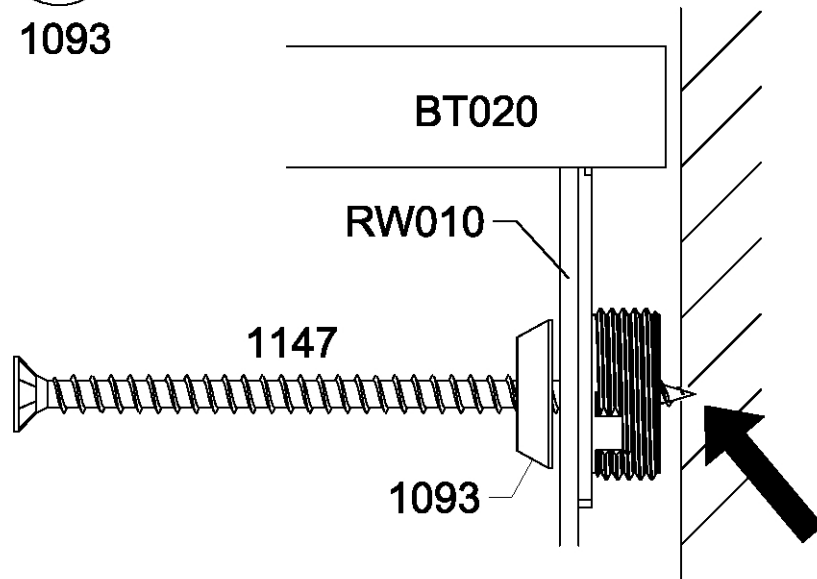


6,0x90



1093

1147



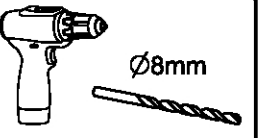
BT020

RW010

1147

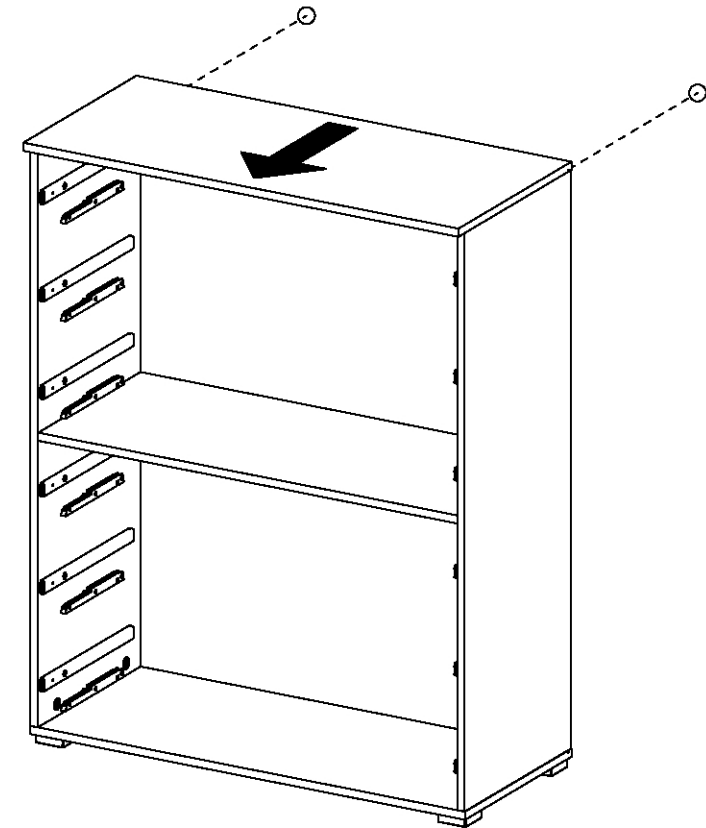
1093

28

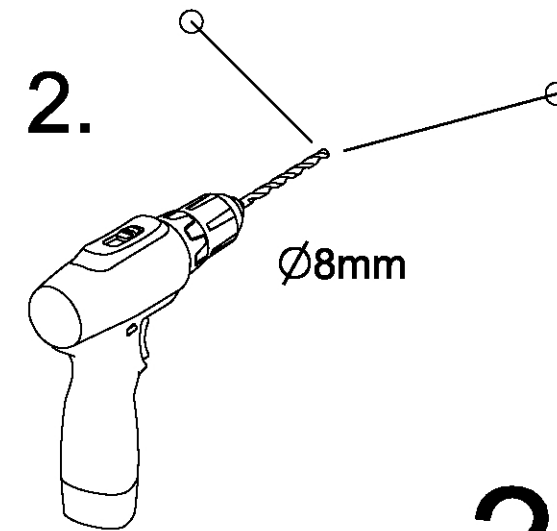


Ø8mm

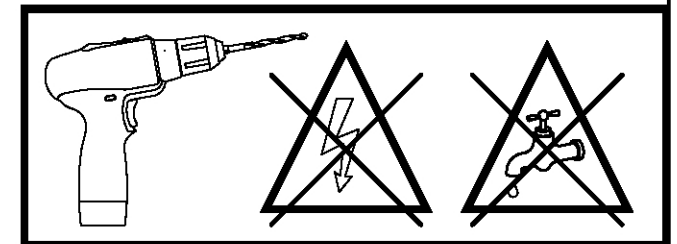
1.



2.

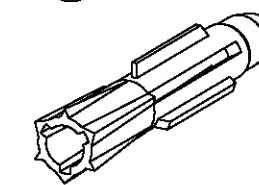
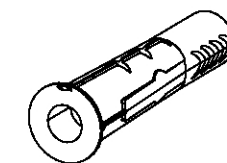


Ø8mm



?

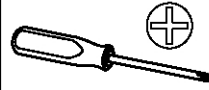
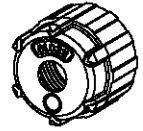
3.



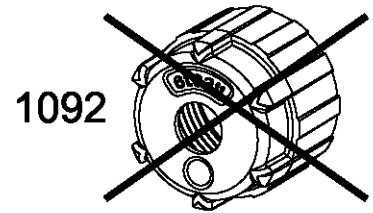
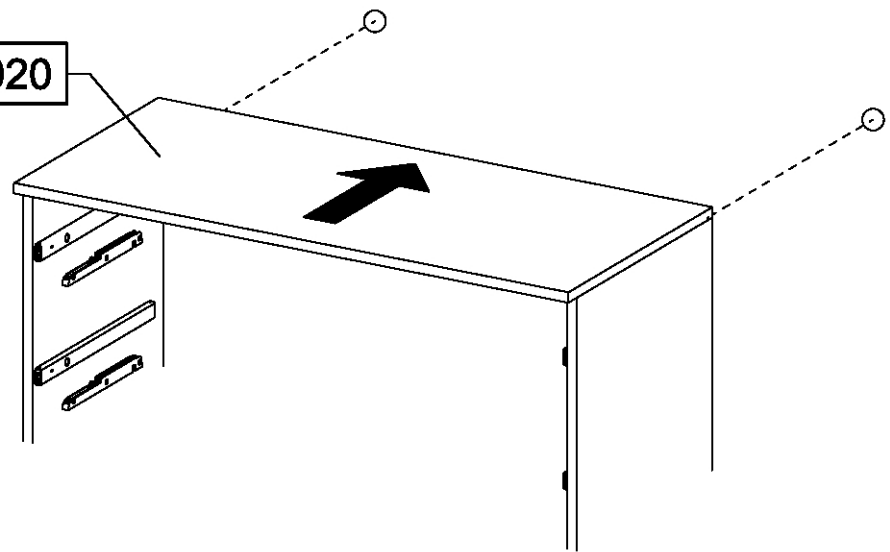
Ø8mm

29

2x 1092



BT020



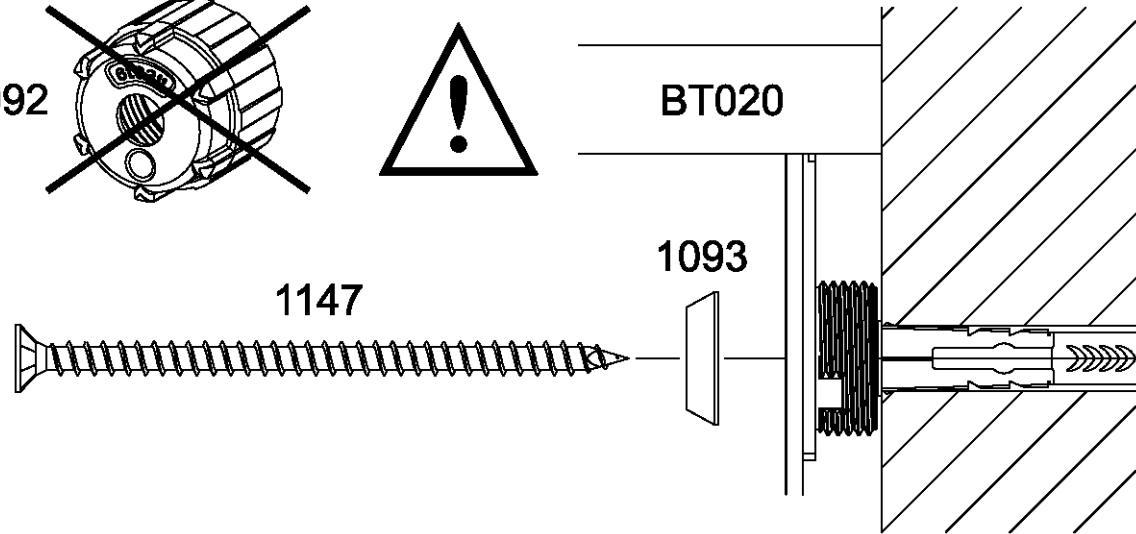
1092



BT020

1093

1147



10-15mm

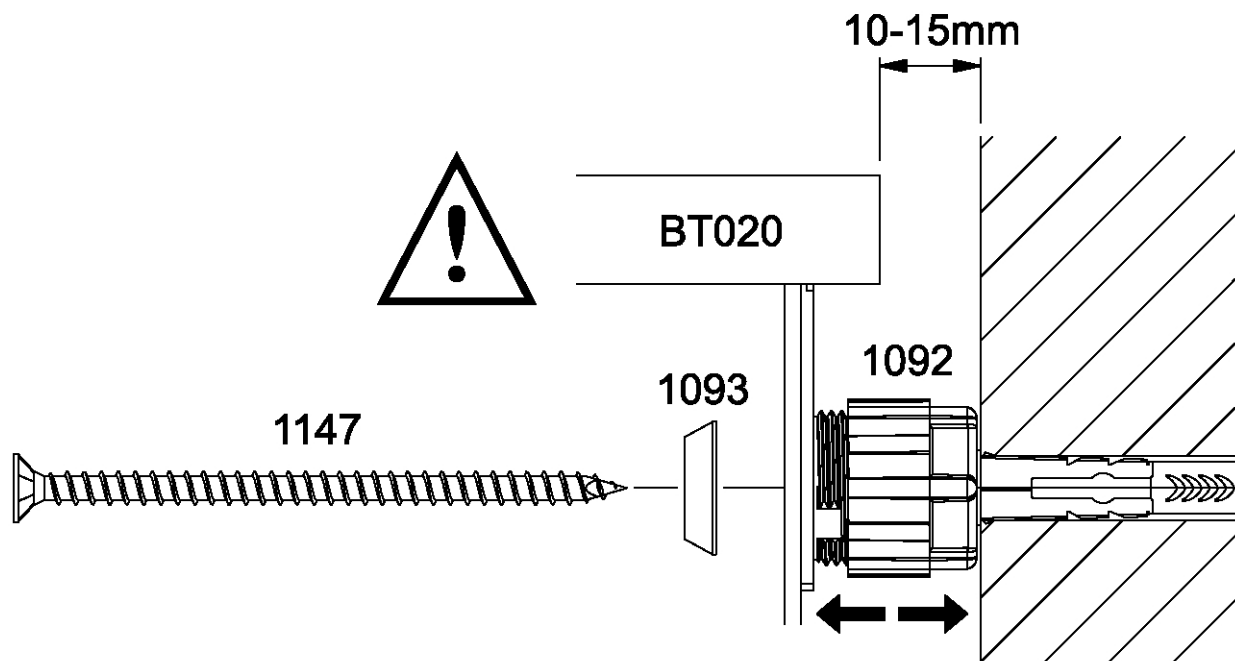


BT020

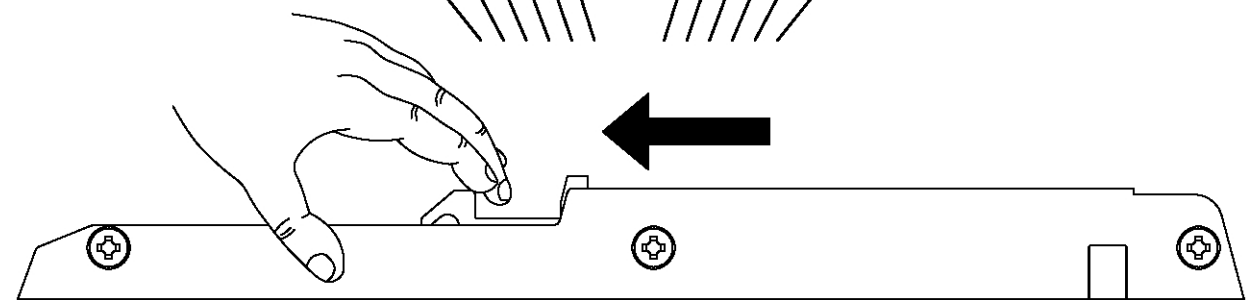
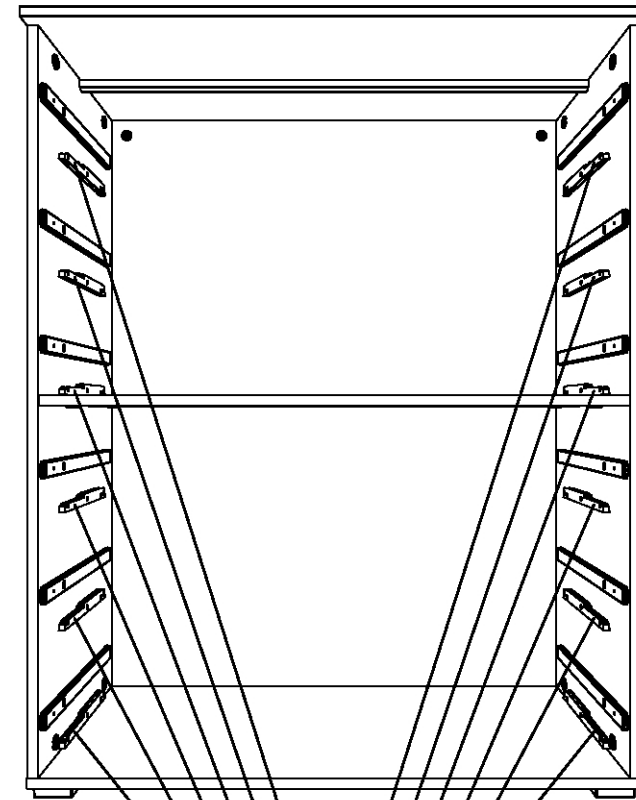
1093

1092

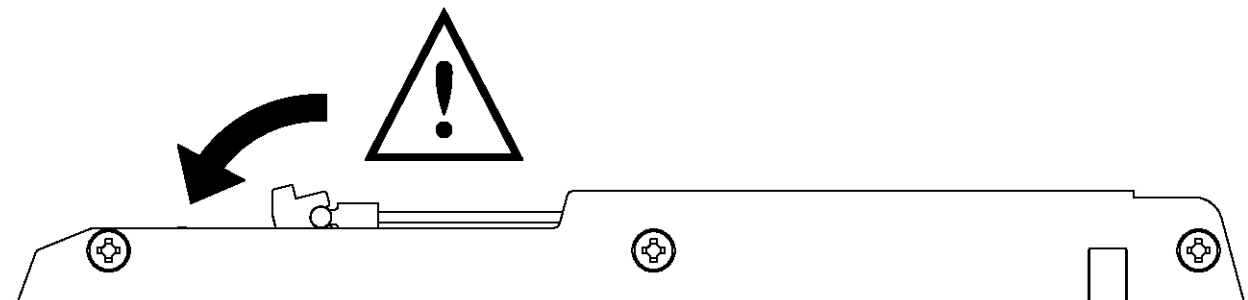
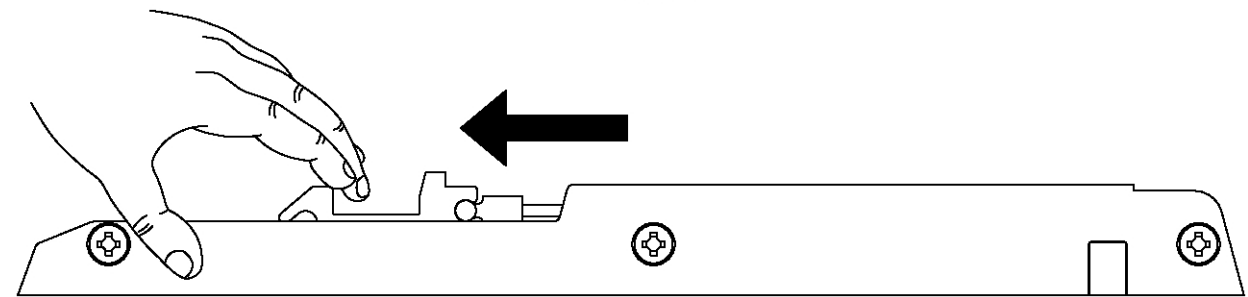
1147



30



1000



31

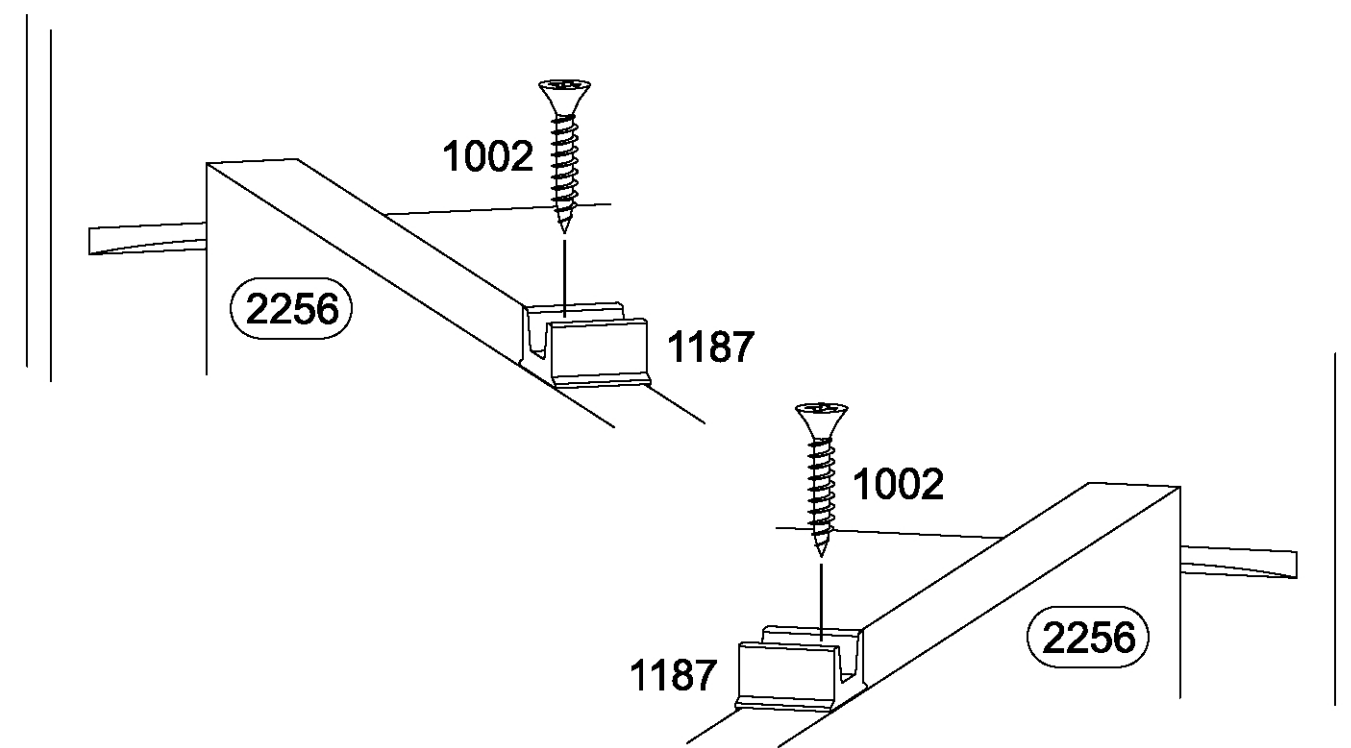
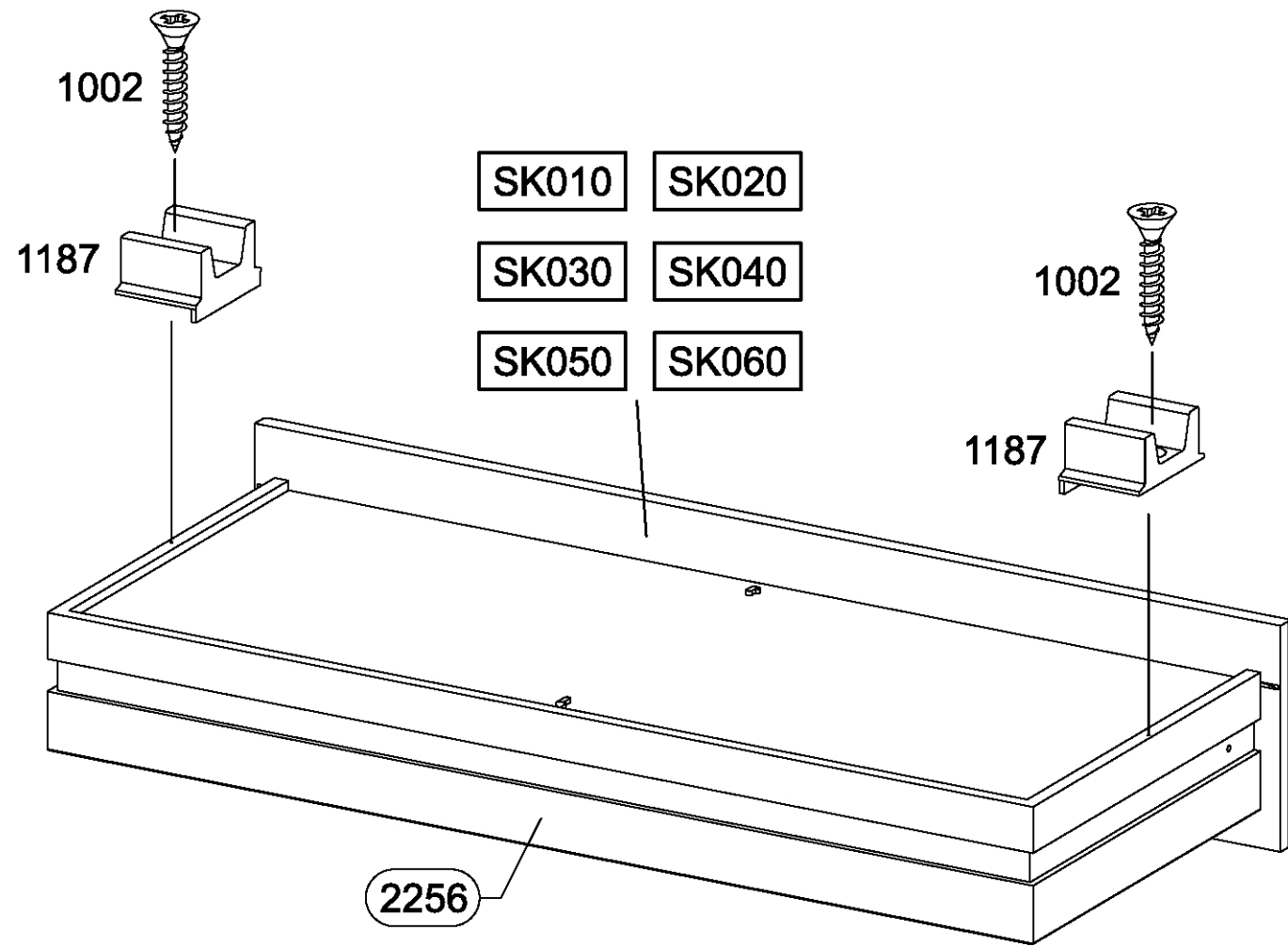
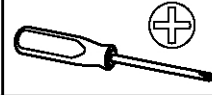
12x

1002

3,5x20

12x

1187



32

12x

568

M4x9

