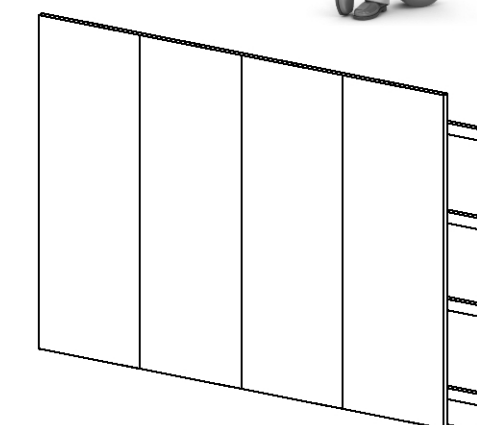
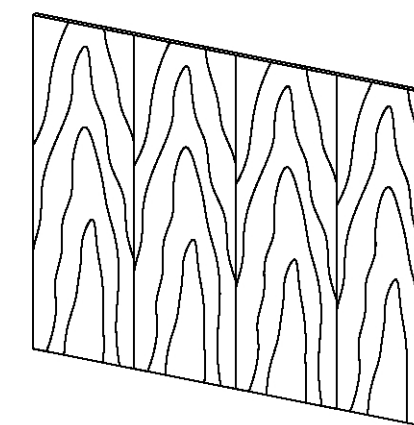
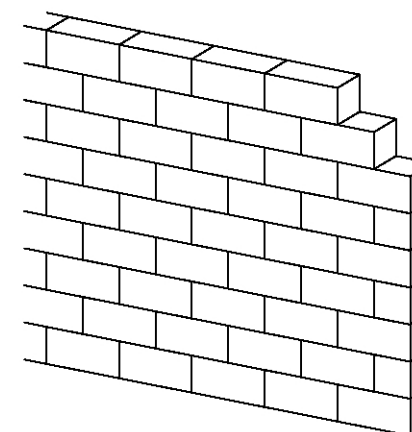
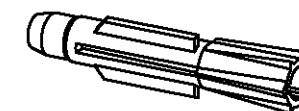
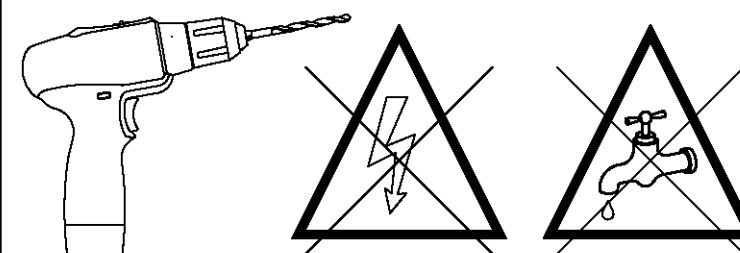
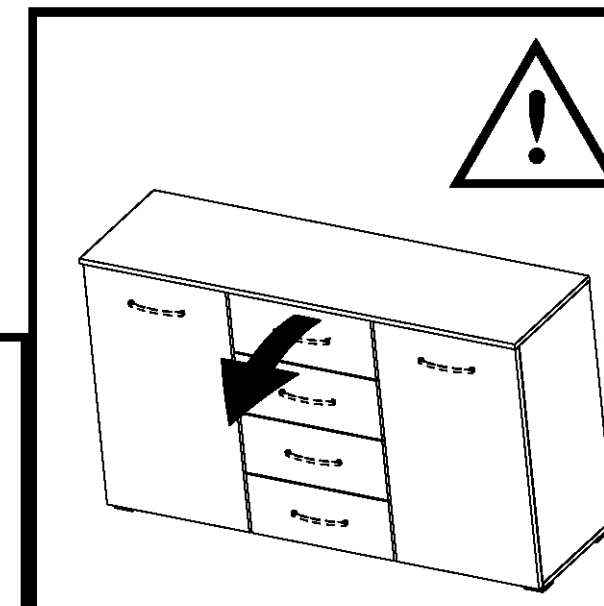
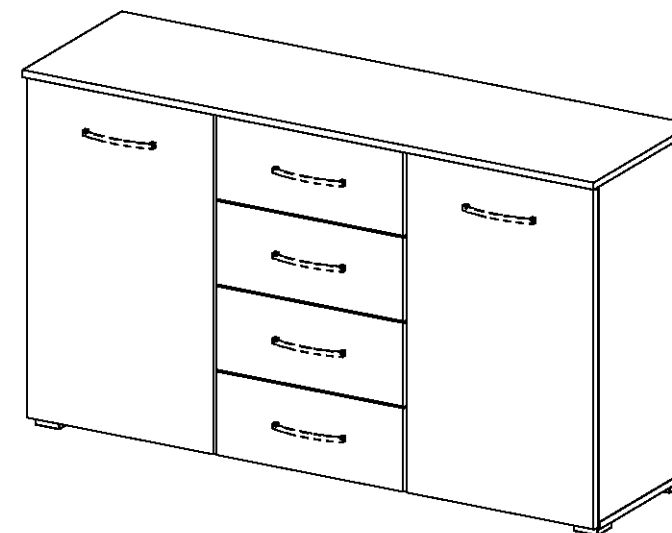
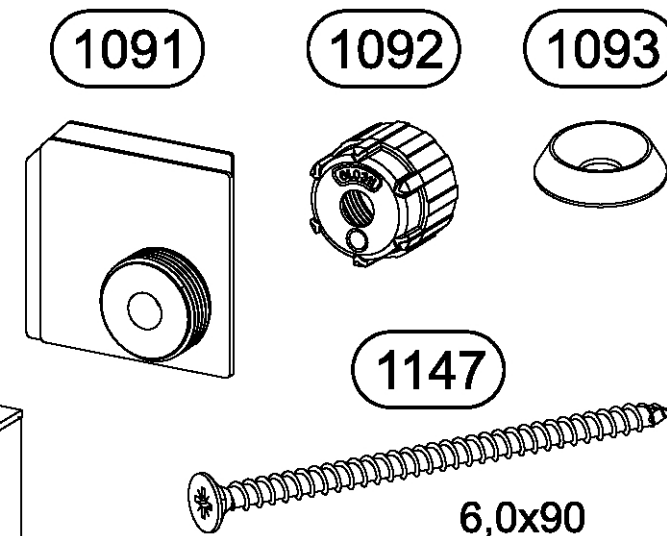
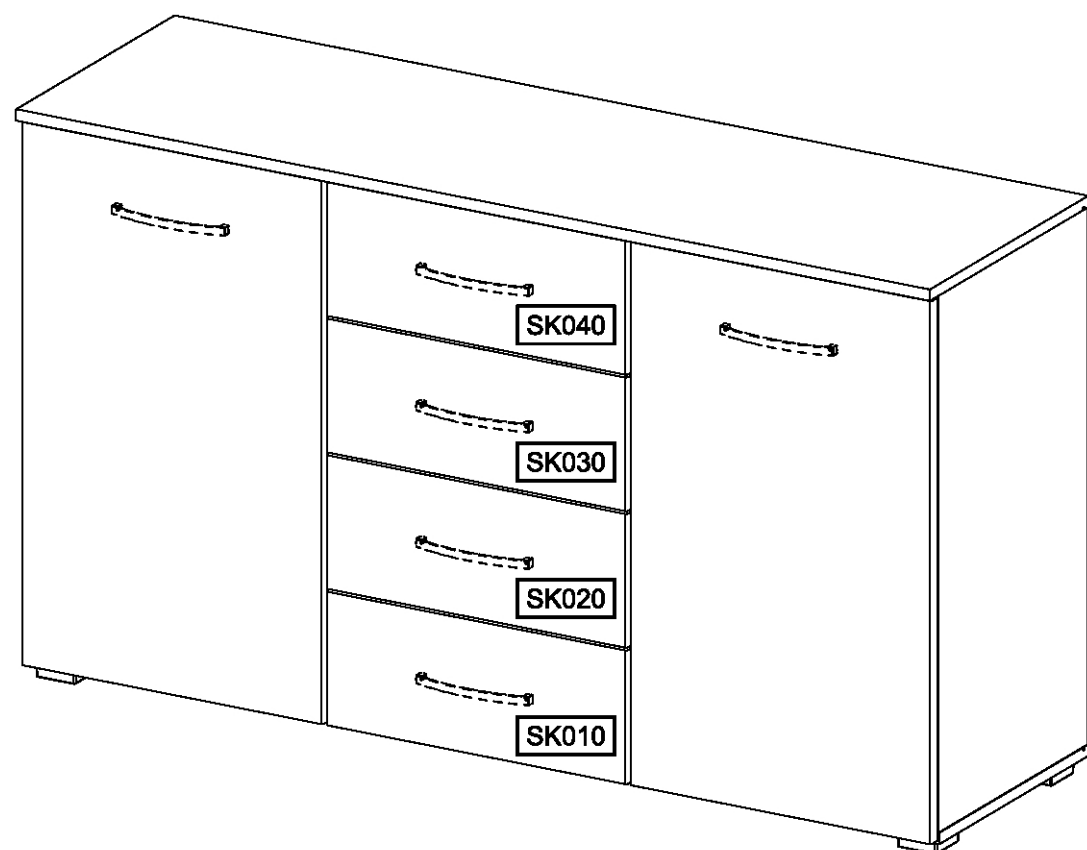
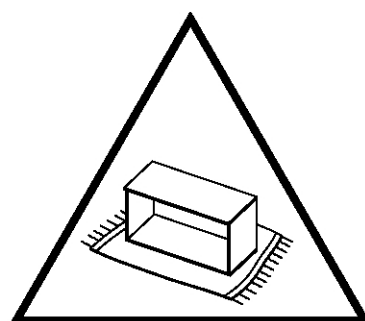
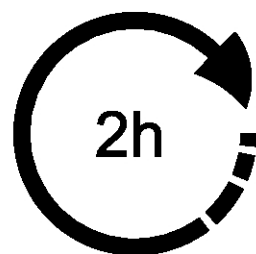
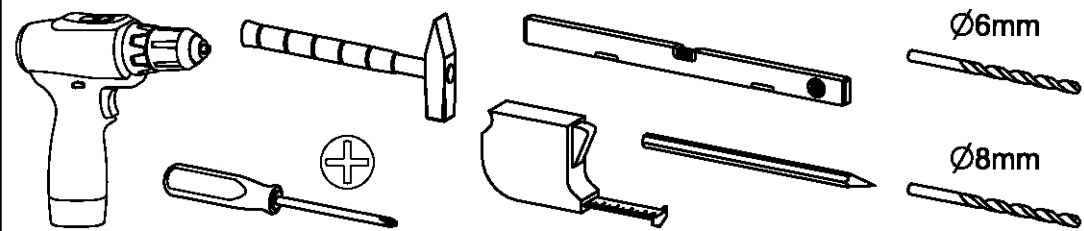
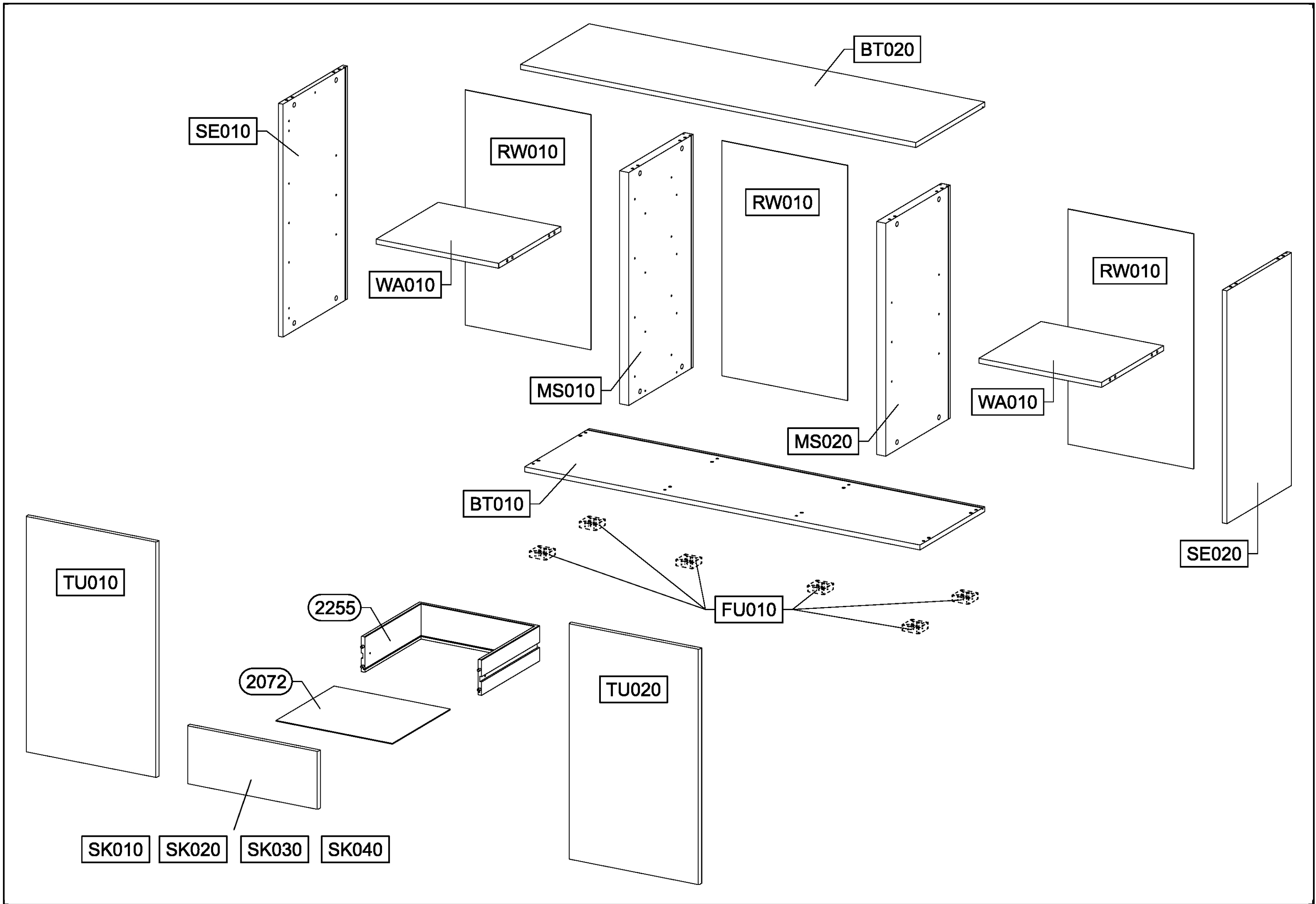
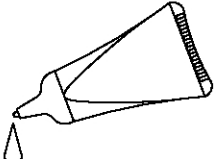

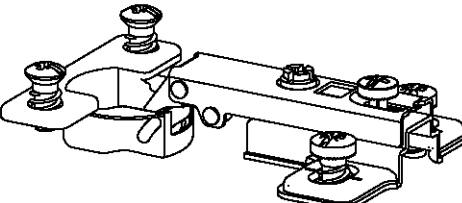

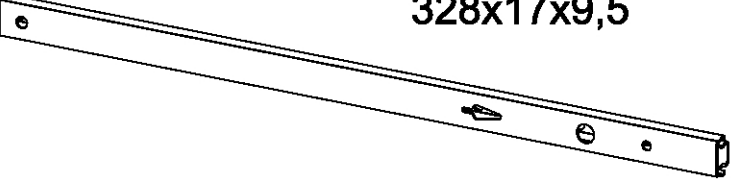

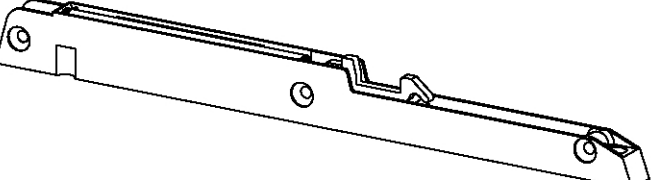


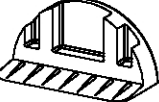

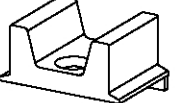
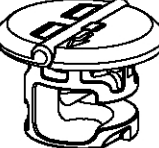

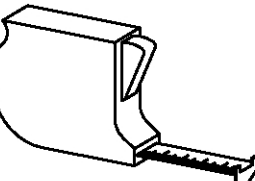
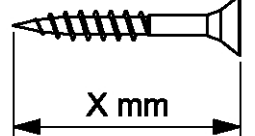
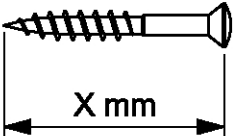
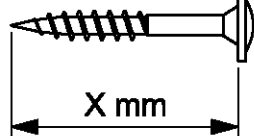


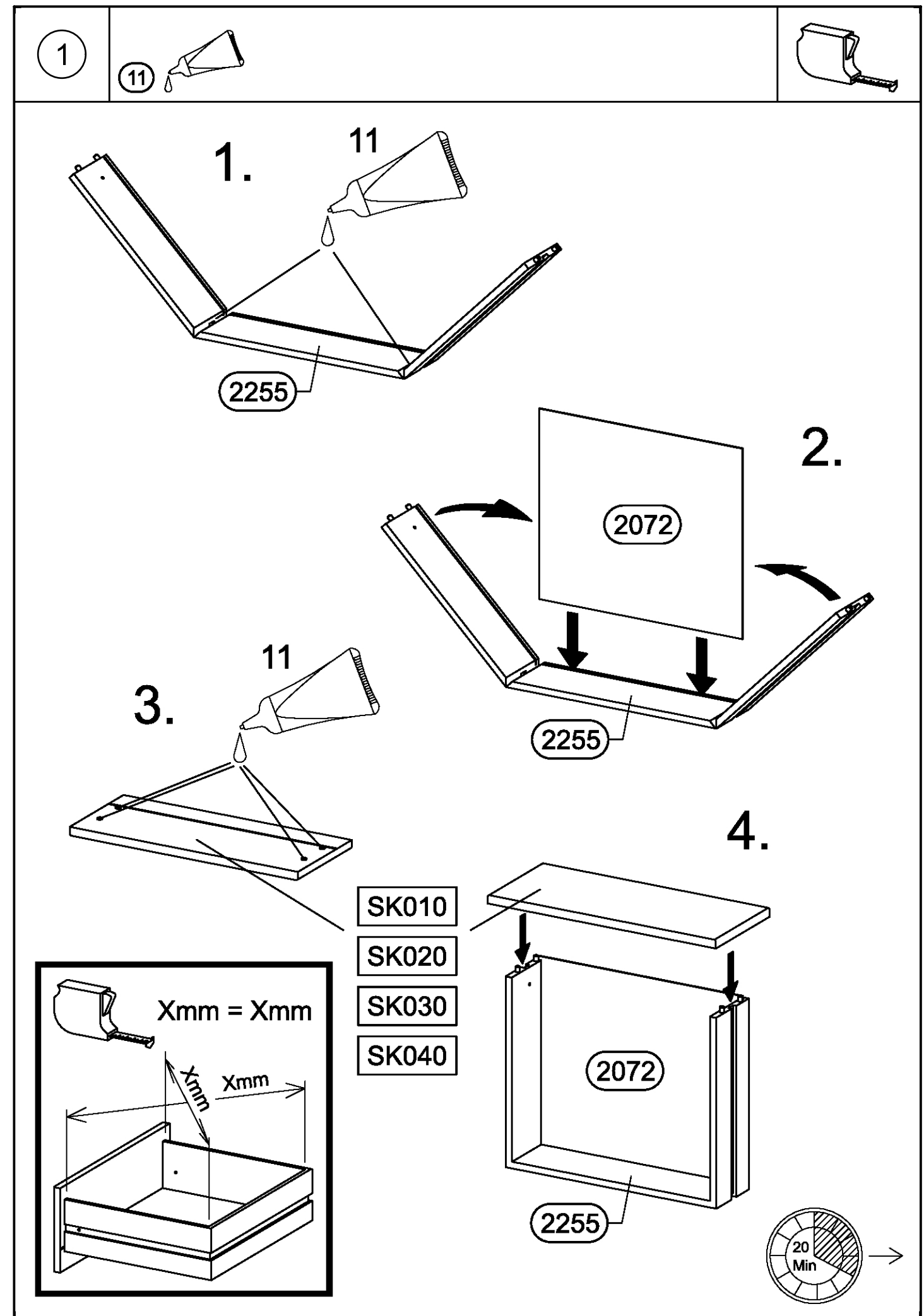
M2613_01

rauch

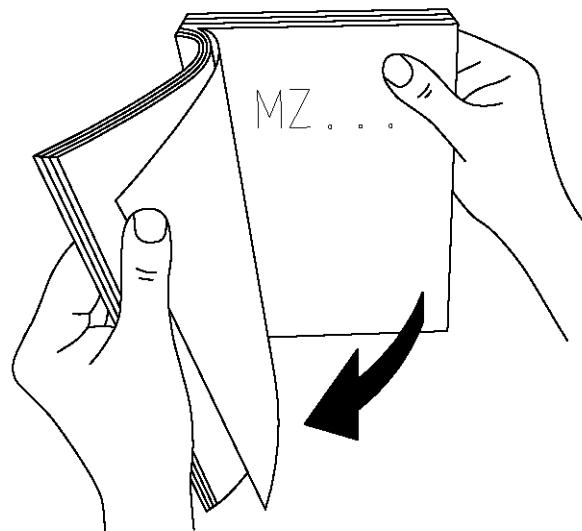
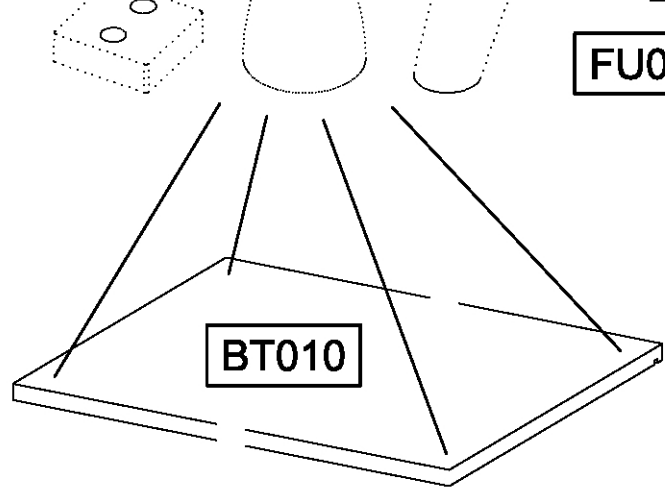
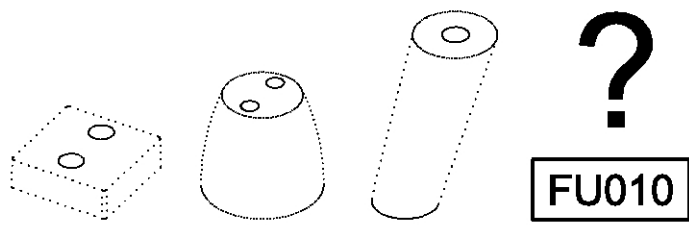
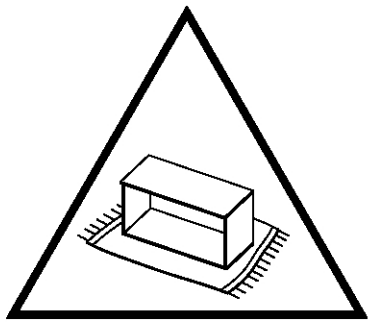
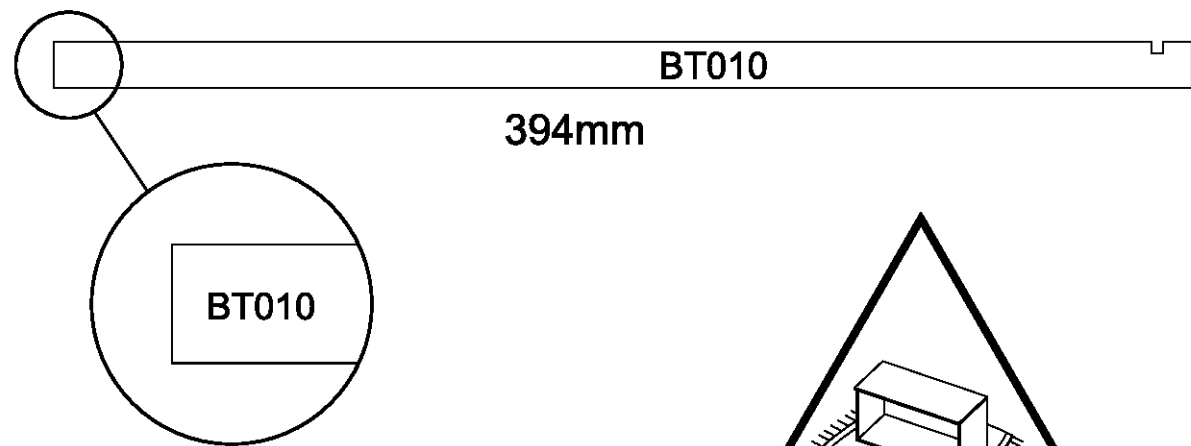
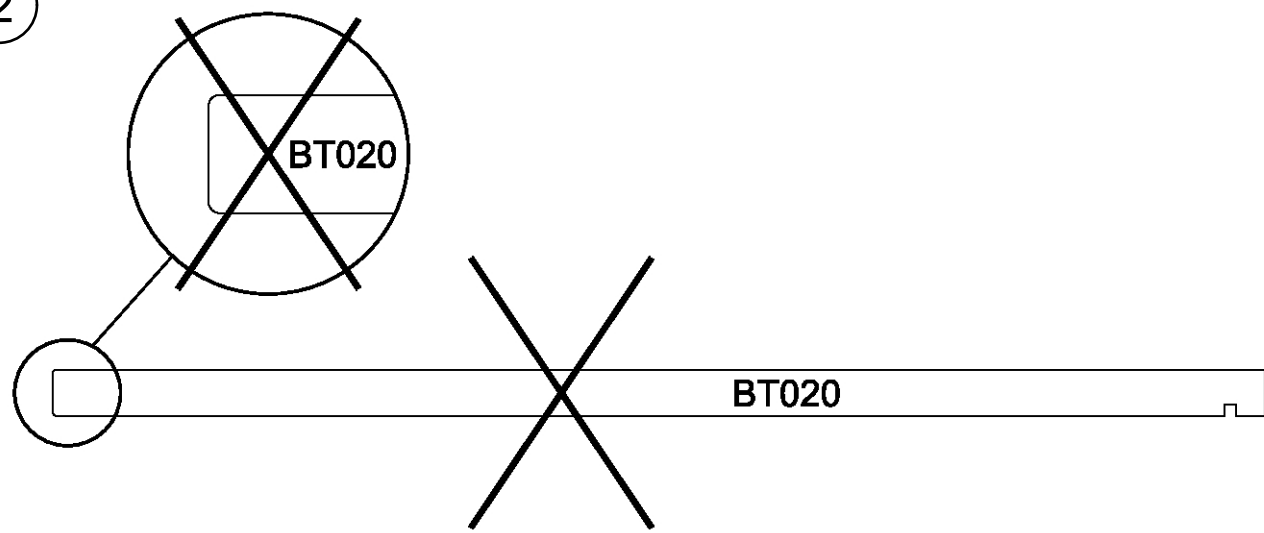




<p>11</p> 	<p>16x</p> <p>8x30</p> <p>18</p> 	<p>4x</p> <p>130</p> 
<p>16x</p> <p>6x10,5</p> <p>227</p> 	<p>8x</p> <p>328x17x9,5</p> <p>251</p> 	
<p>8x</p> <p>M4x9</p> <p>568</p> 	<p>8x</p> <p>1000</p> 	
<p>32x</p> <p>3,5x20</p> <p>1002</p> 	<p>16x</p> <p>6x12</p> <p>1003</p> 	<p>12x</p> <p>1090</p> 
<p>8x</p> <p>1105</p> 	<p>8x</p> <p>1187</p> 	<p>16x</p> <p>1188</p> 
<p>16x</p> <p>1189</p> 		
		
 <p>X mm</p>	 <p>X mm</p>	 <p>X mm</p>

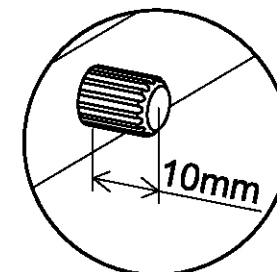
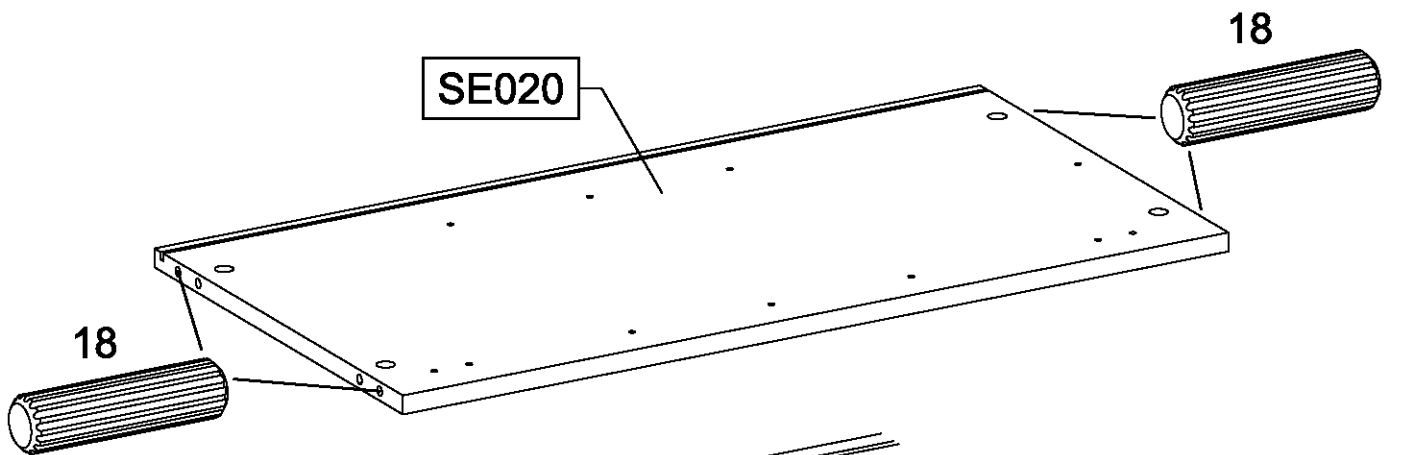
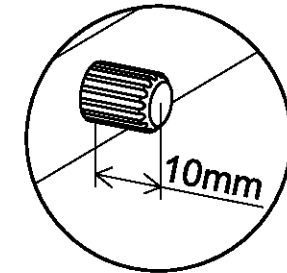
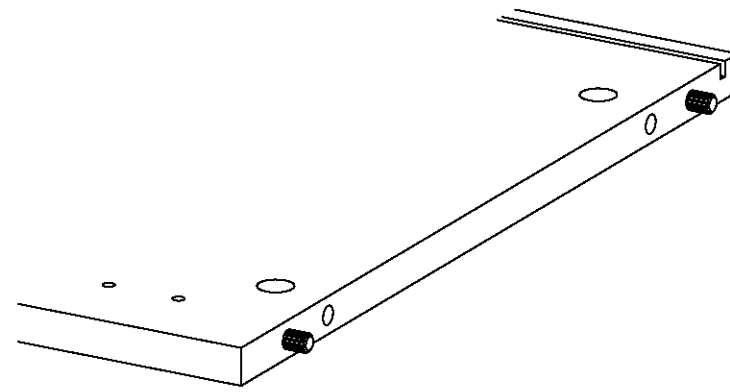
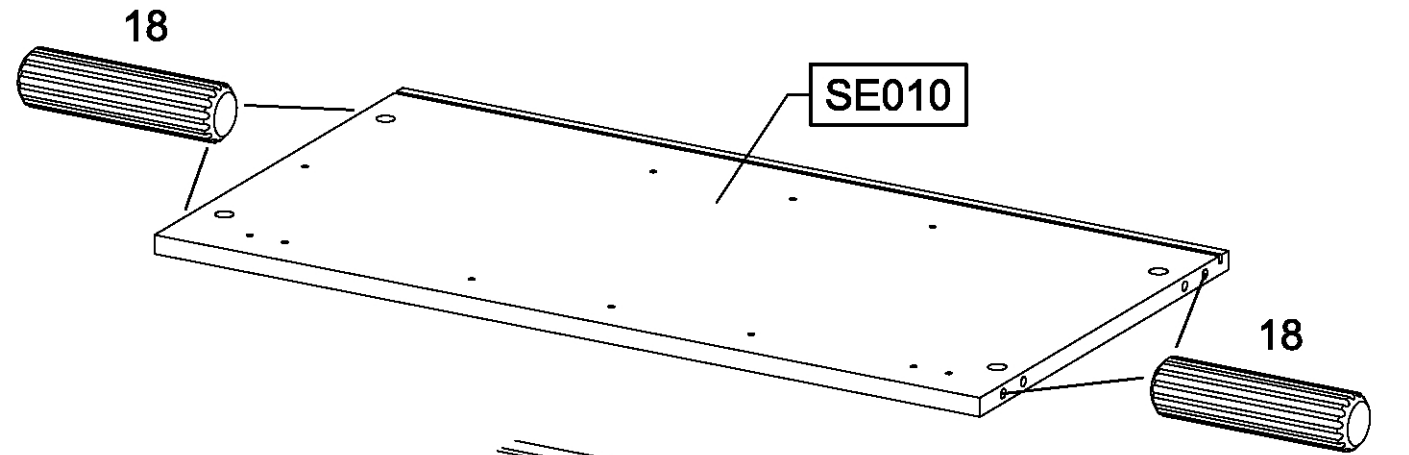
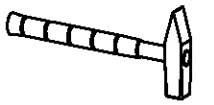


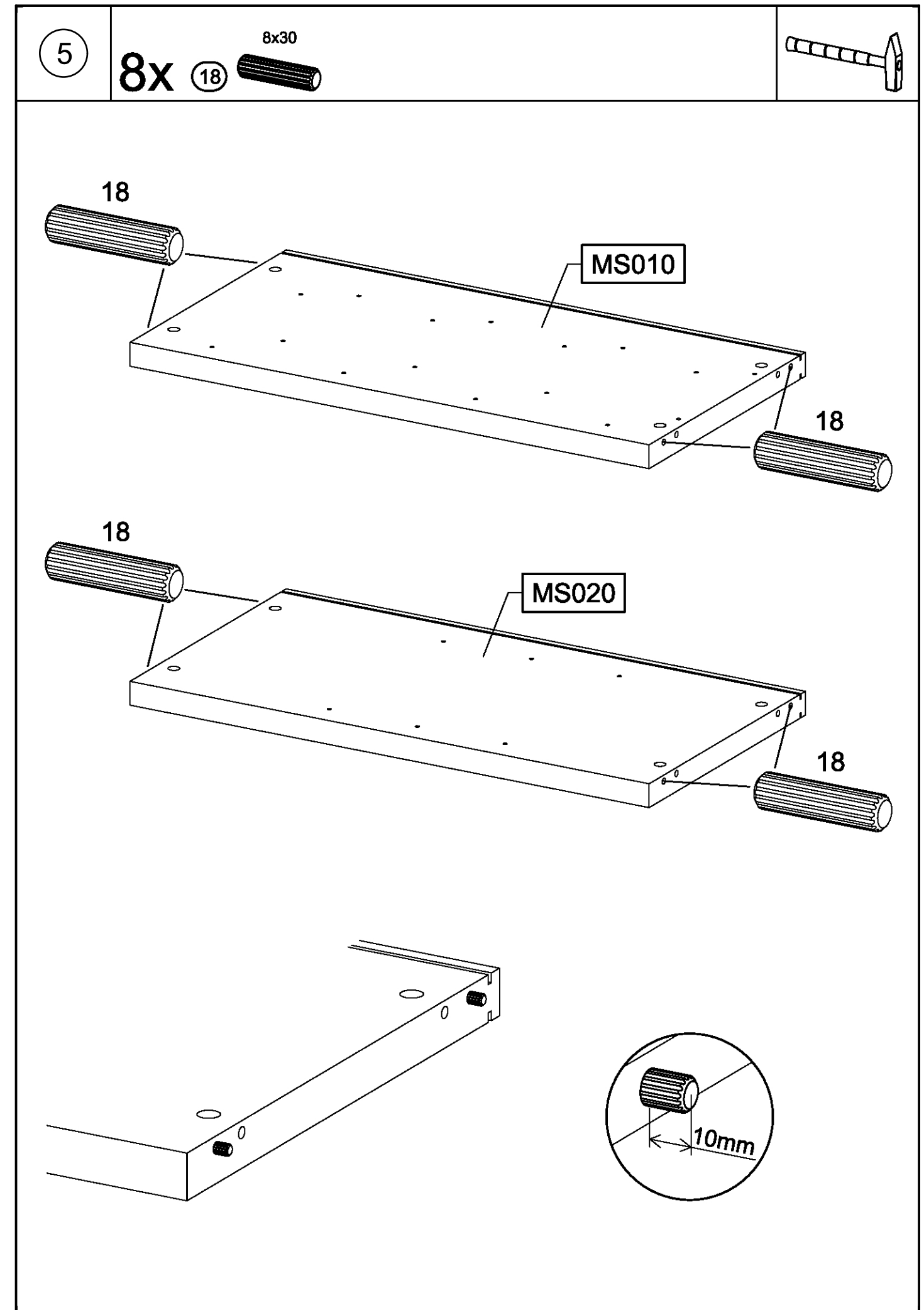
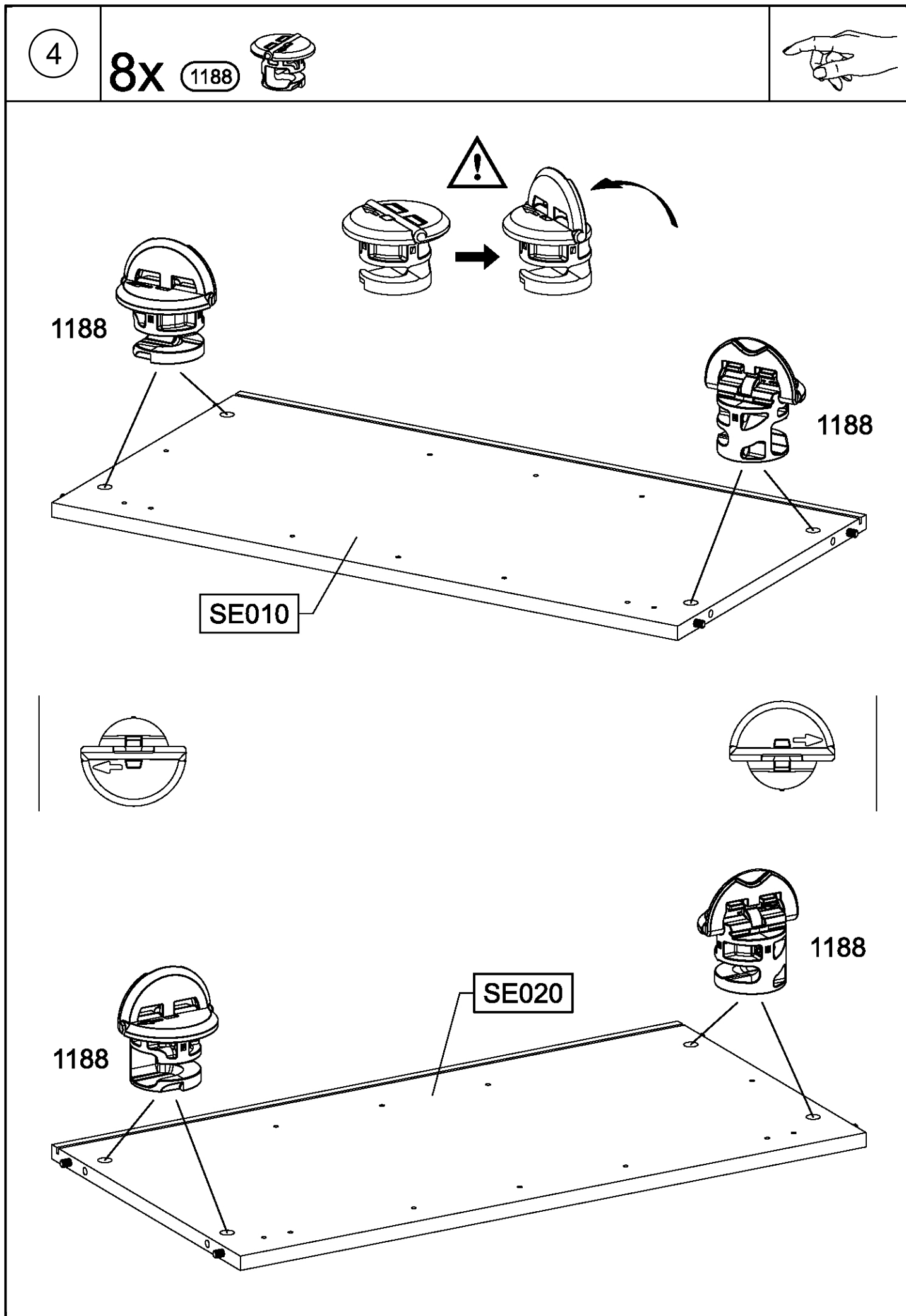
2

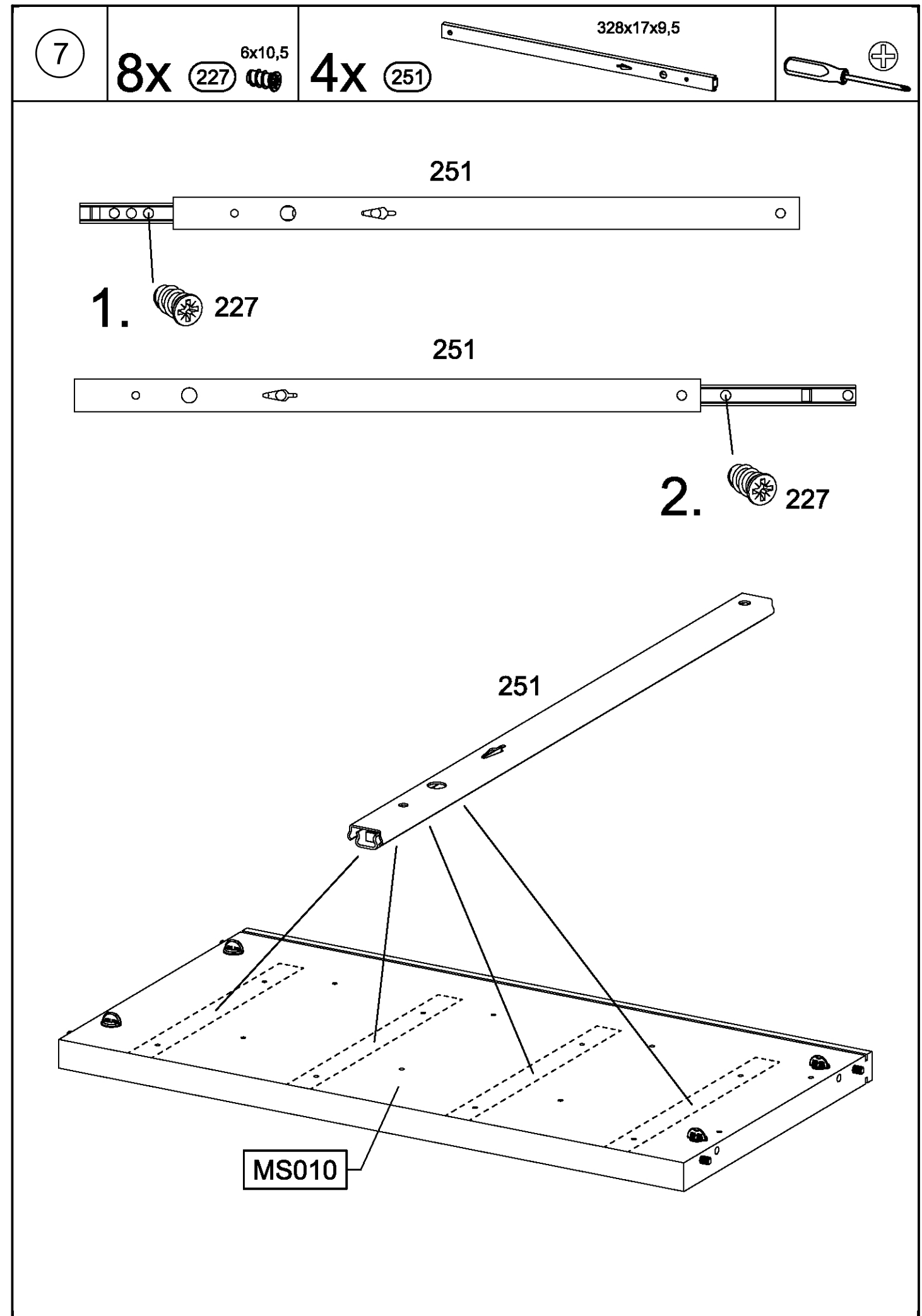
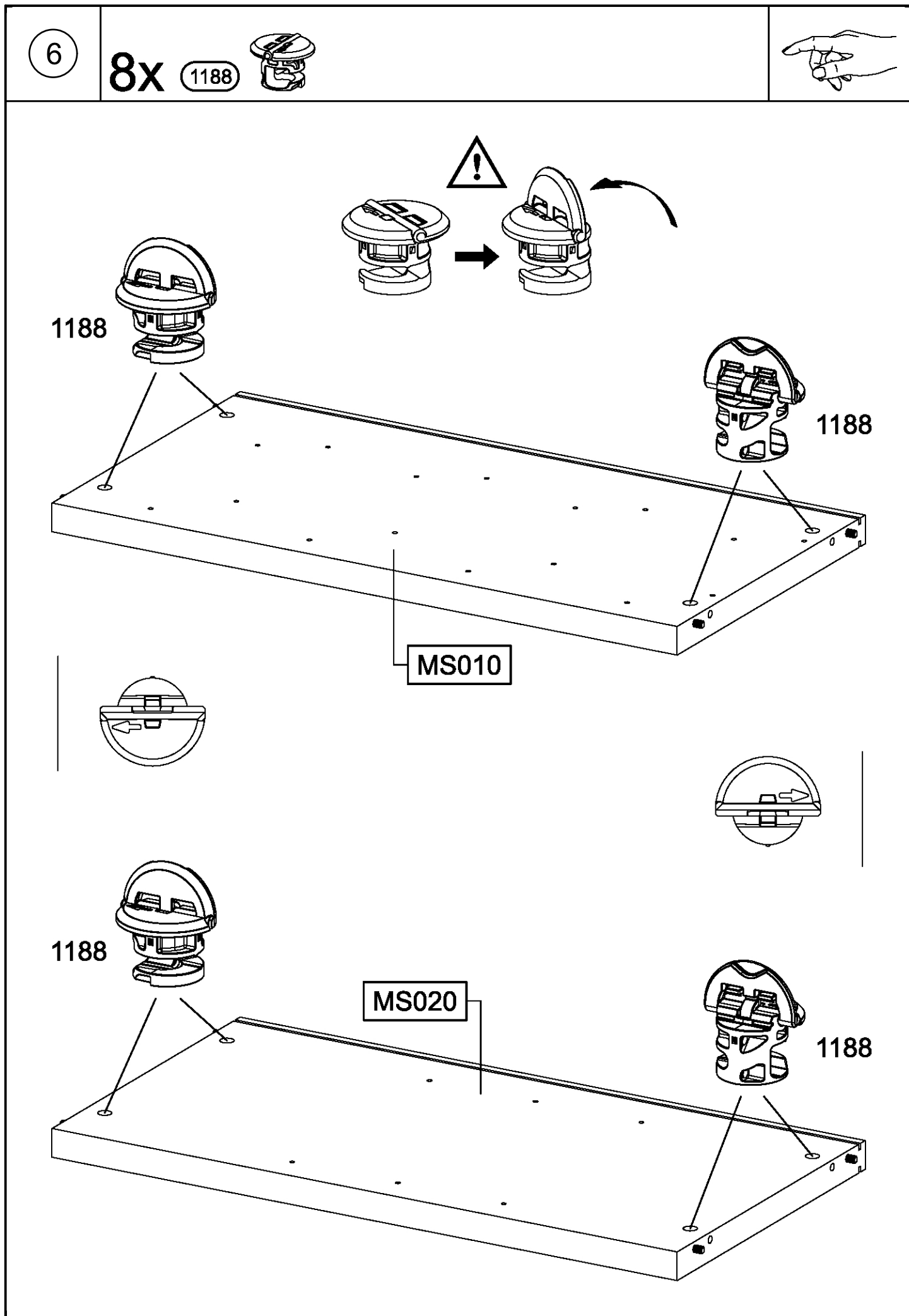


3

8x 18 8x30





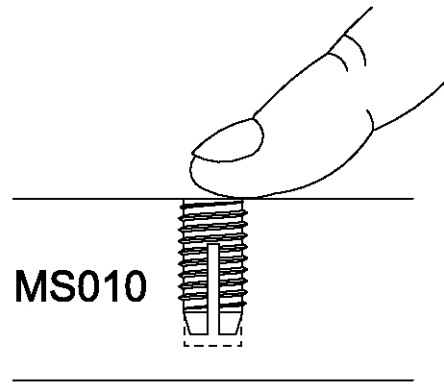
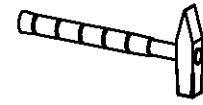


8

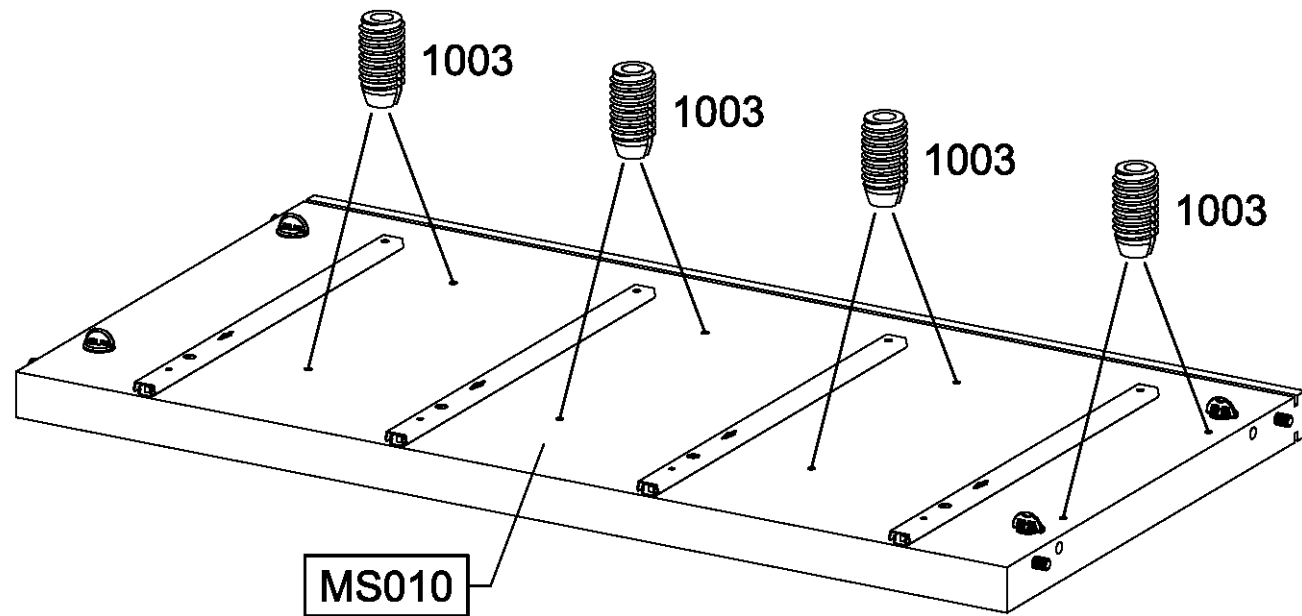
8x

1003

6x12



MS010

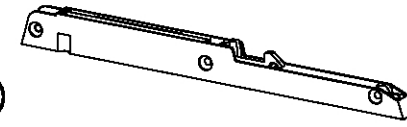


MS010

9

4x

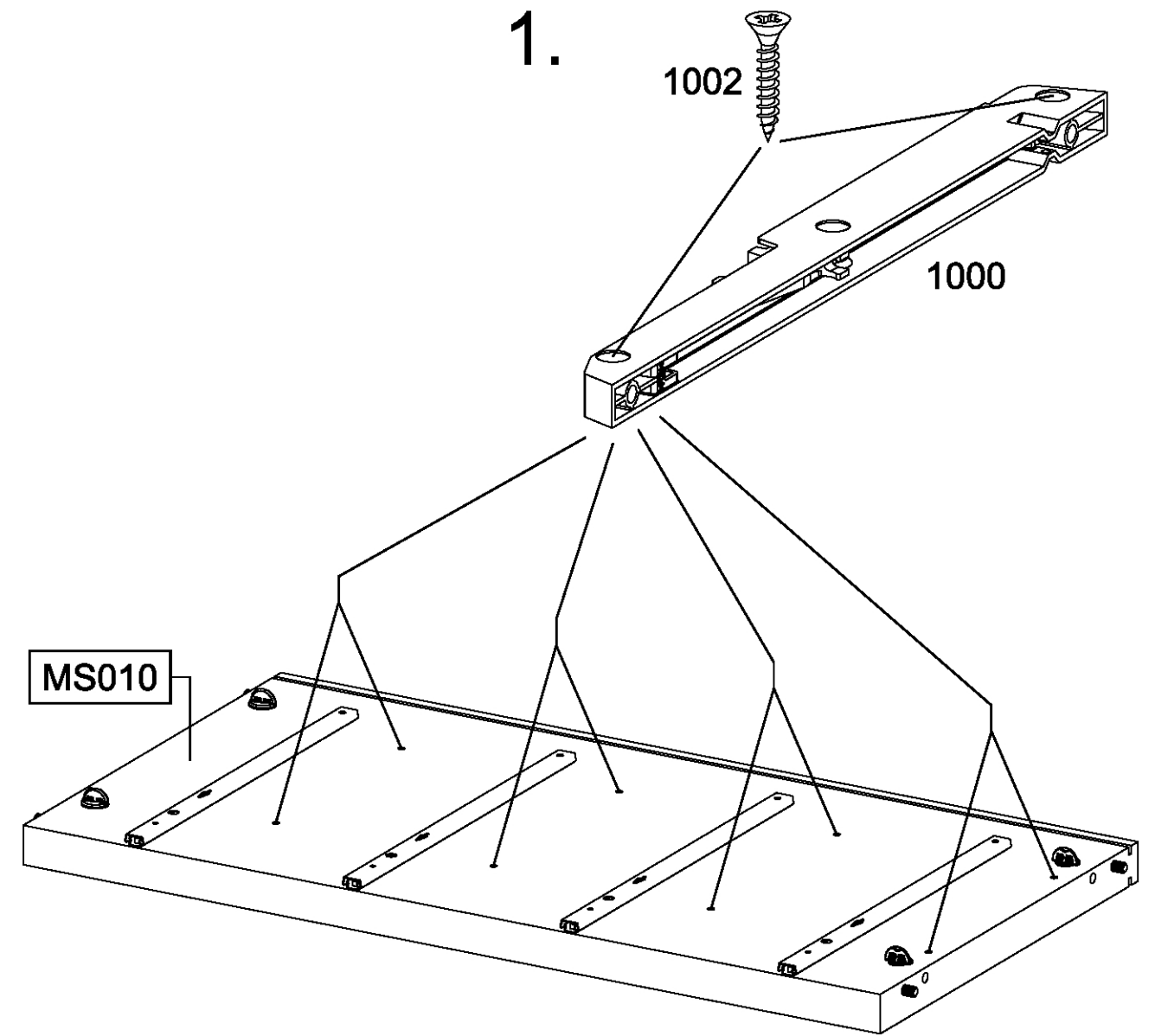
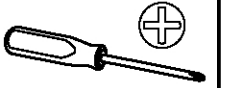
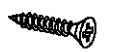
1000



12x

1002

3,5x20



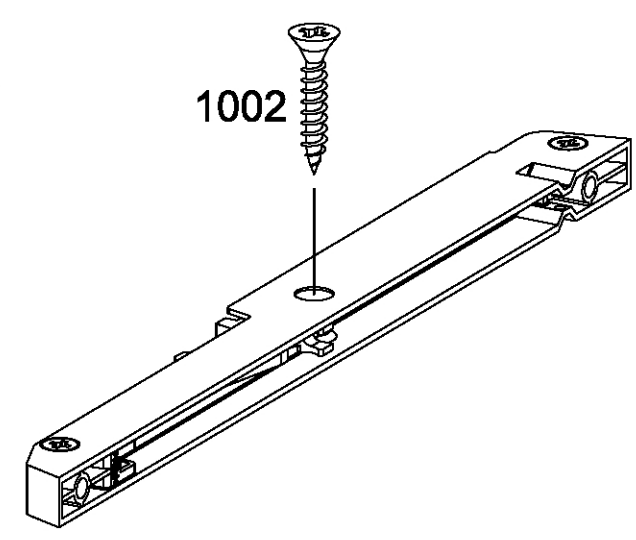
1.

1002

1000

MS010

2.



1002

10

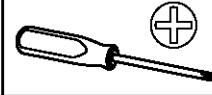
8x

227 6x10,5

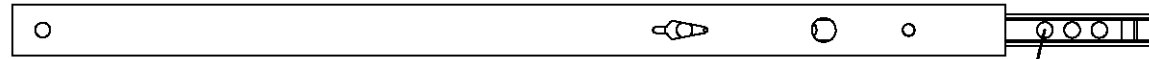
4x

251

328x17x9,5



251



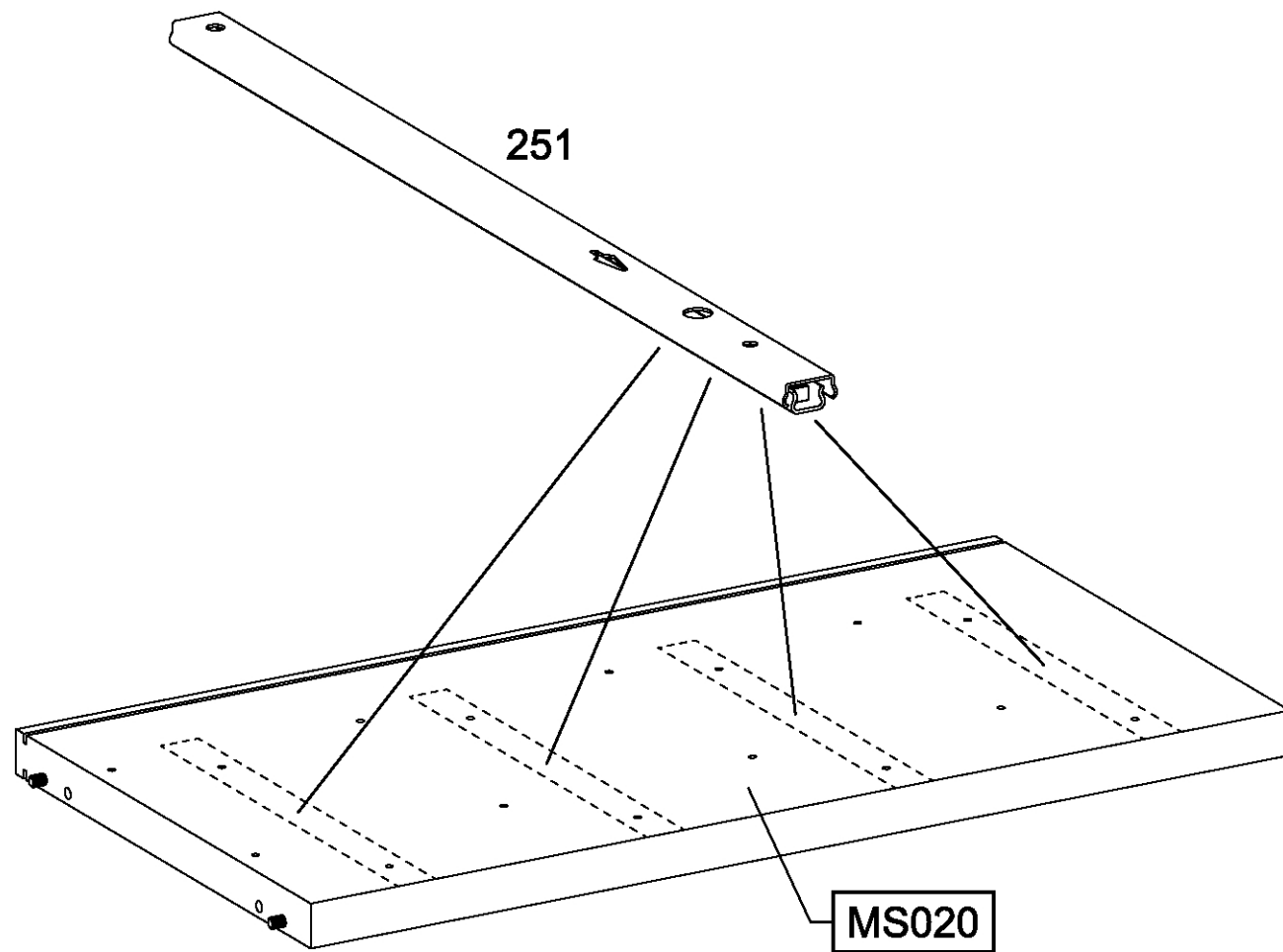
227 1.

251



227 2.

251

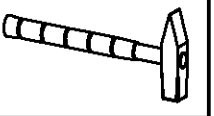


MS020

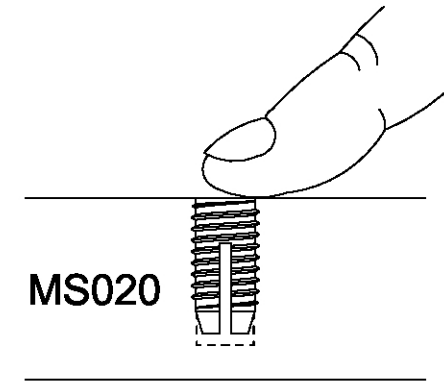
11

8x

1003 6x12



MS020

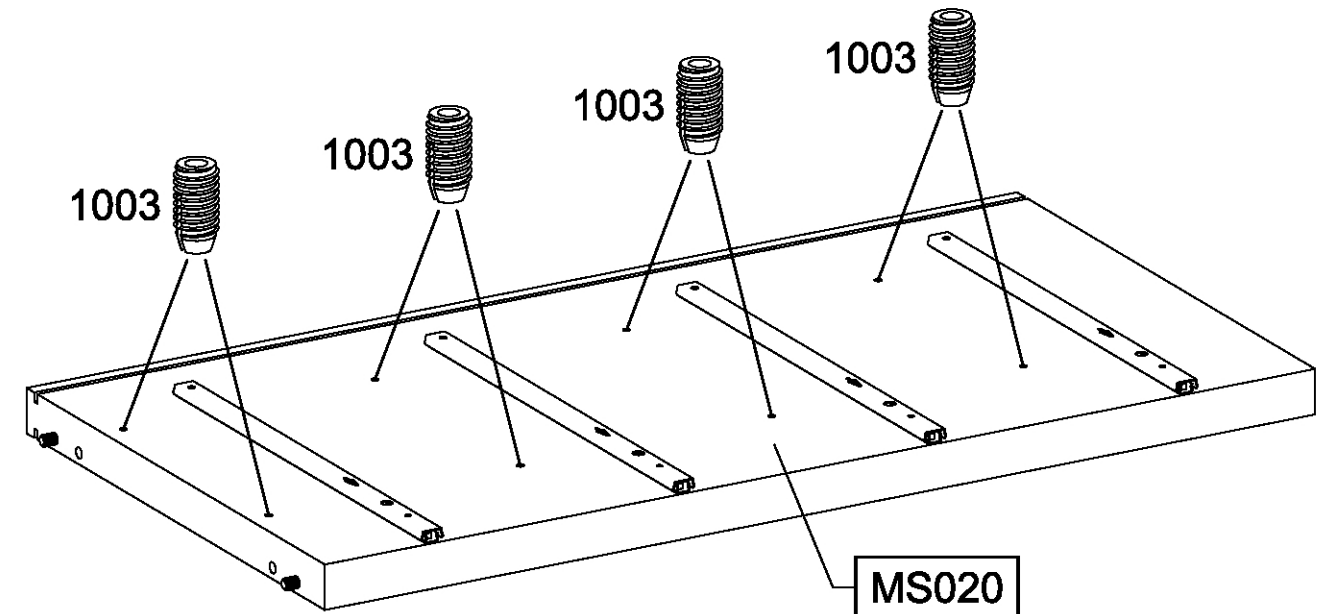


1003

1003

1003

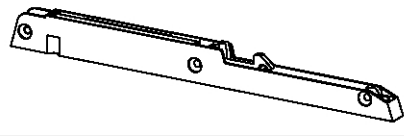
1003



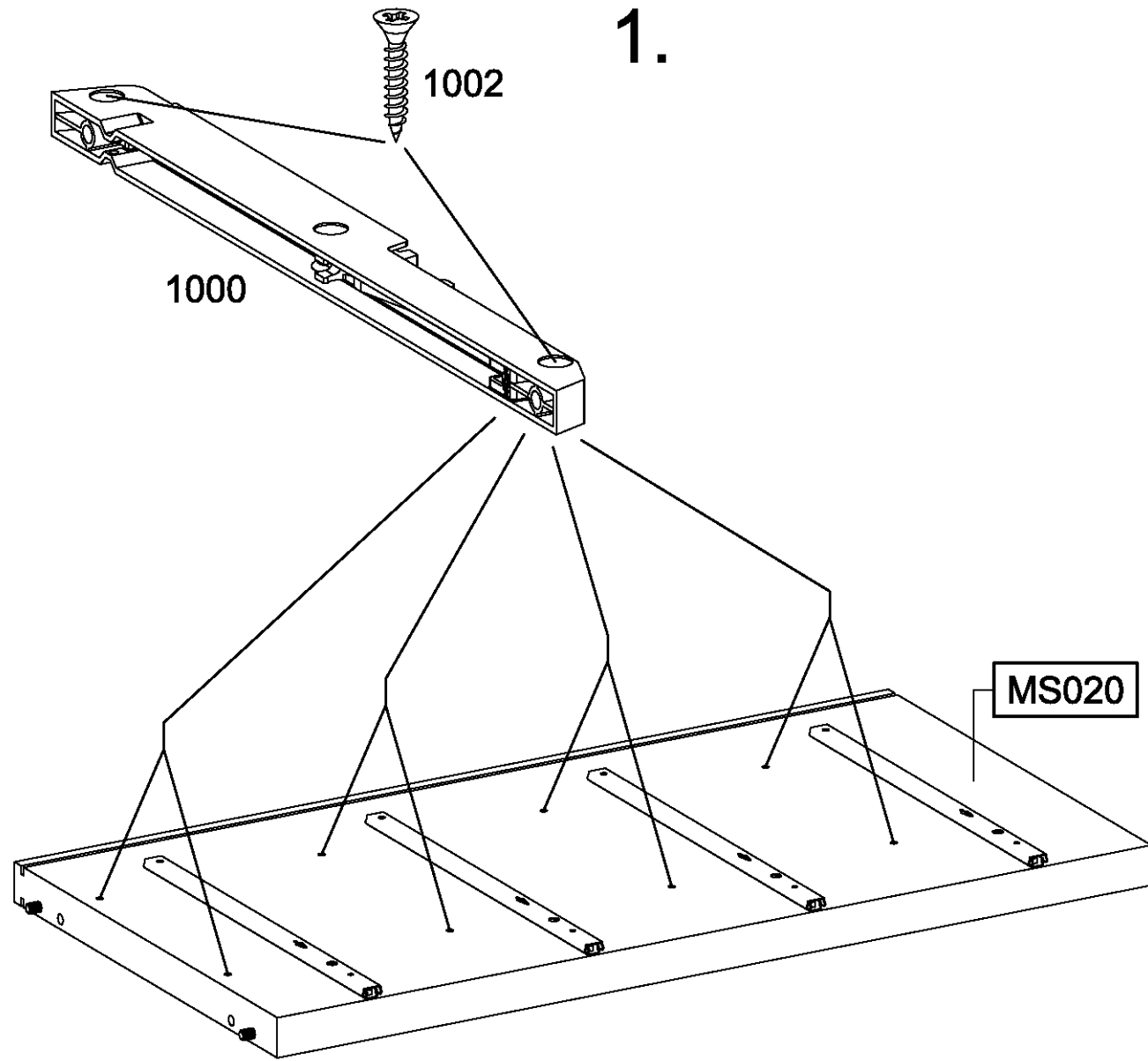
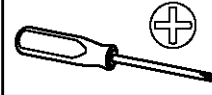
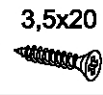
MS020

12

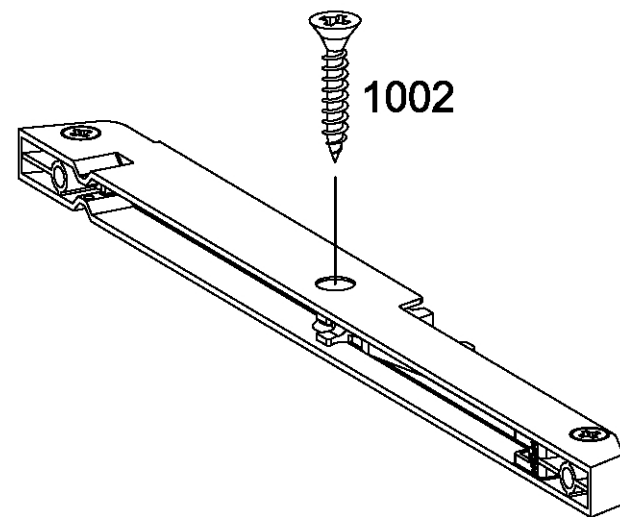
4x 1000



12x 1002

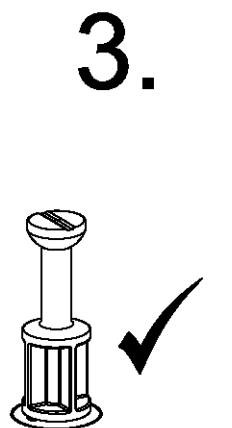
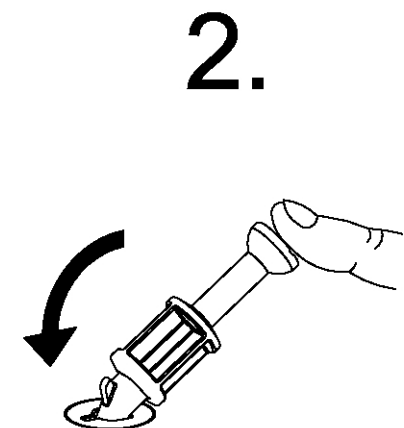
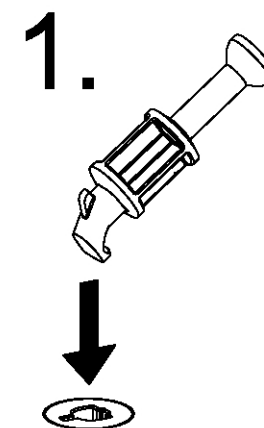
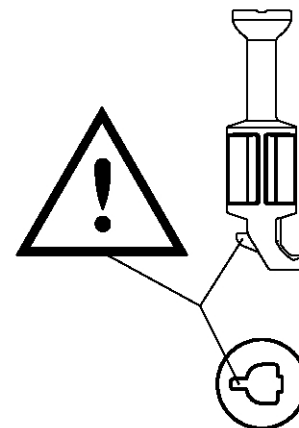
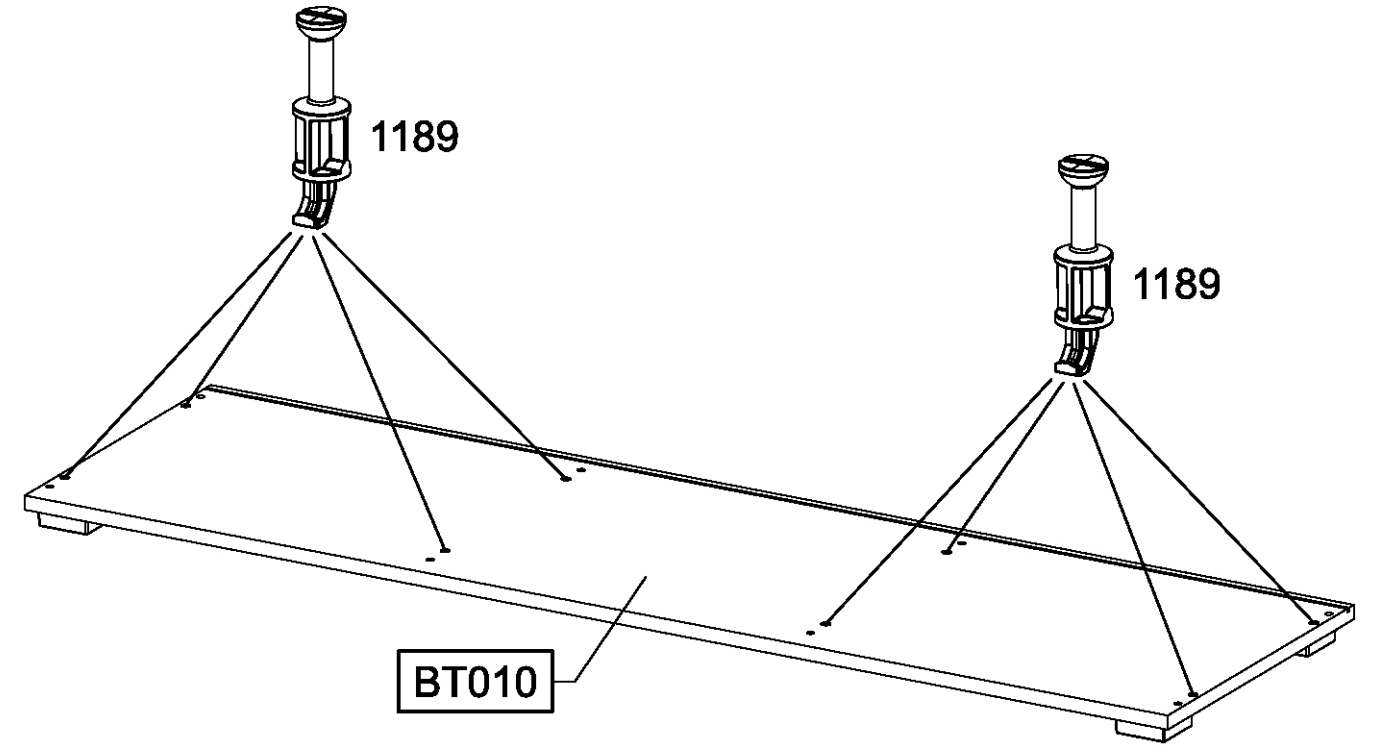


2.

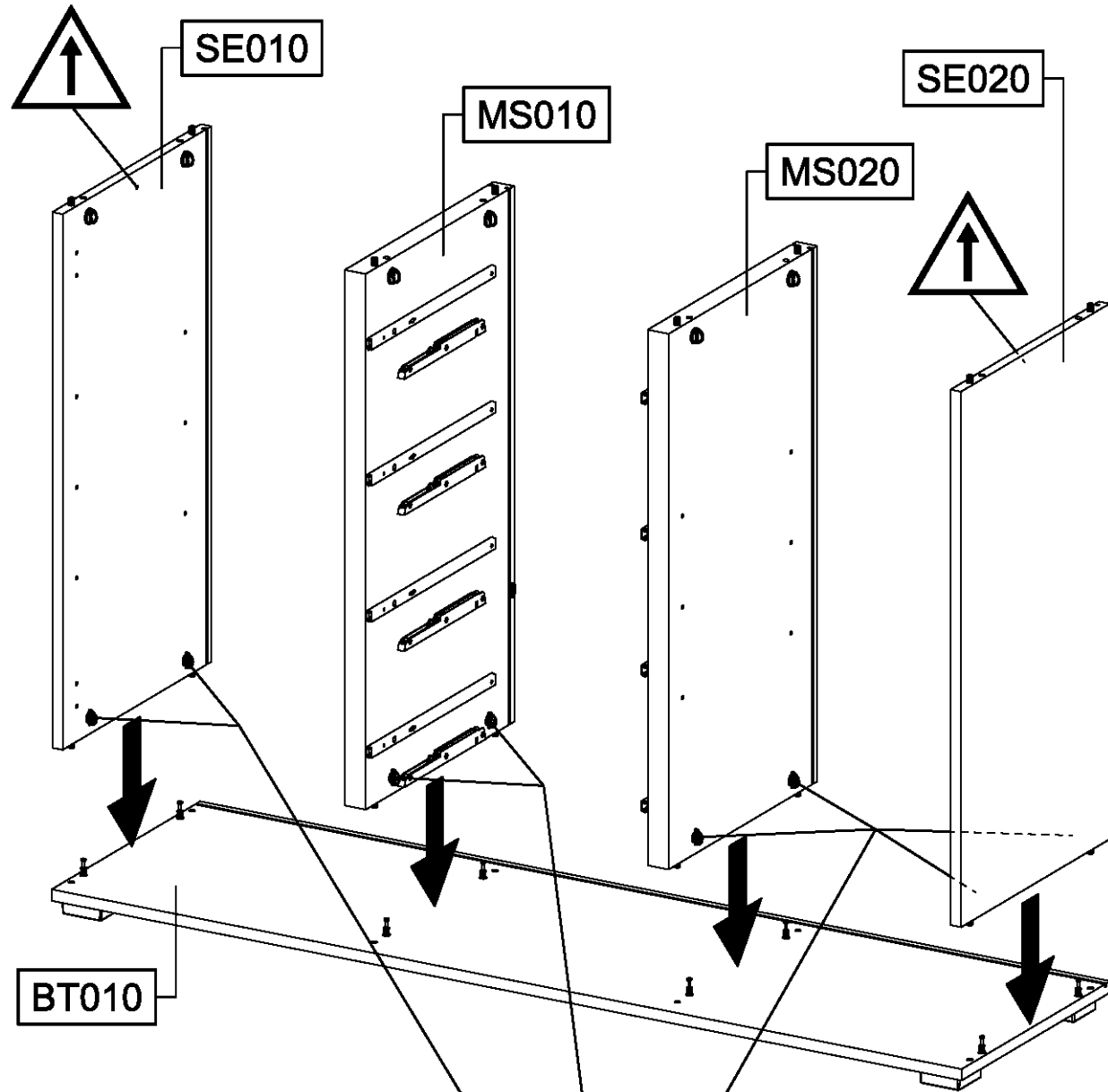


13

8x 1189

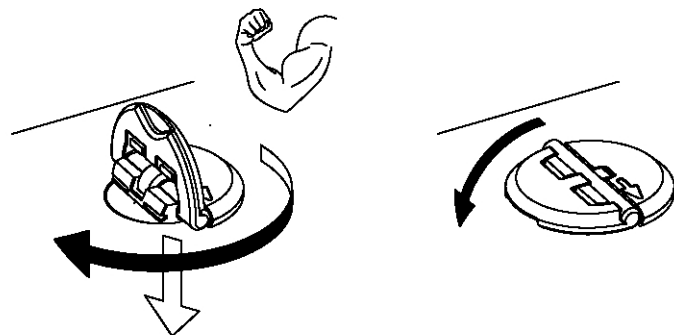


14

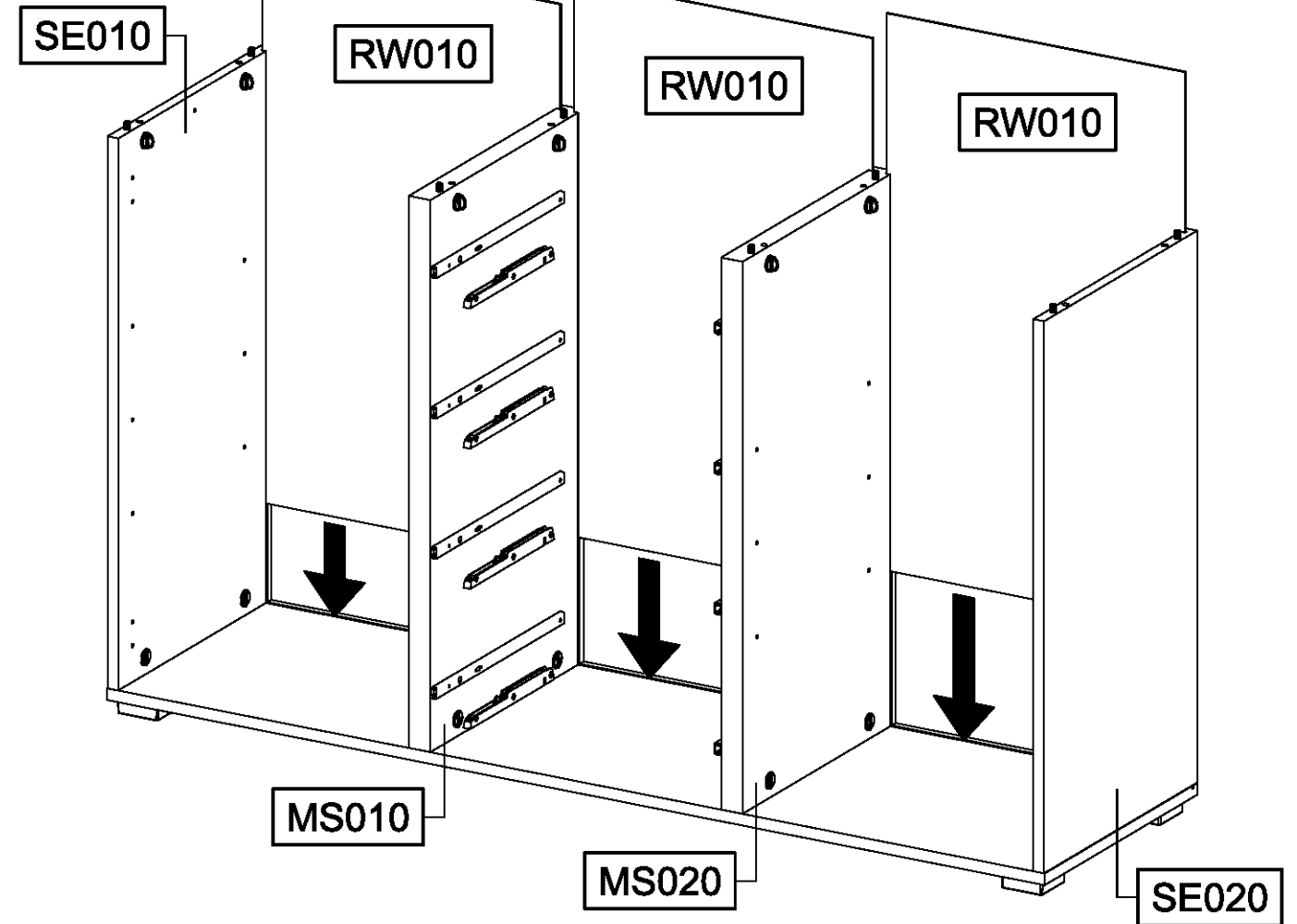


1.

2.

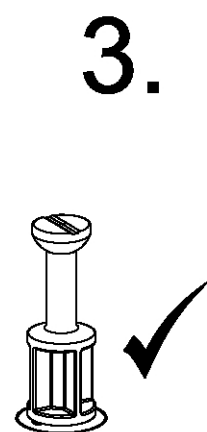
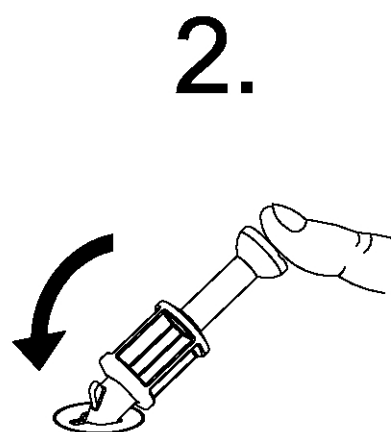
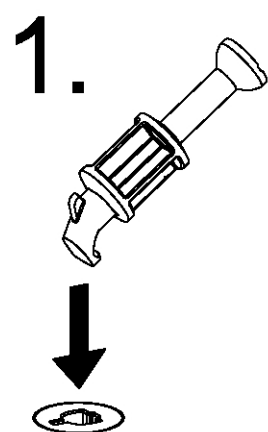
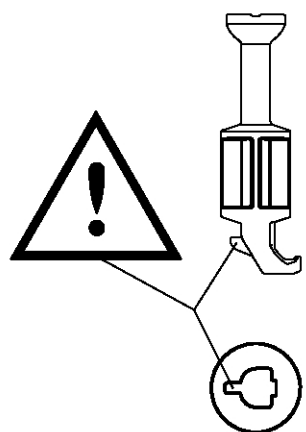
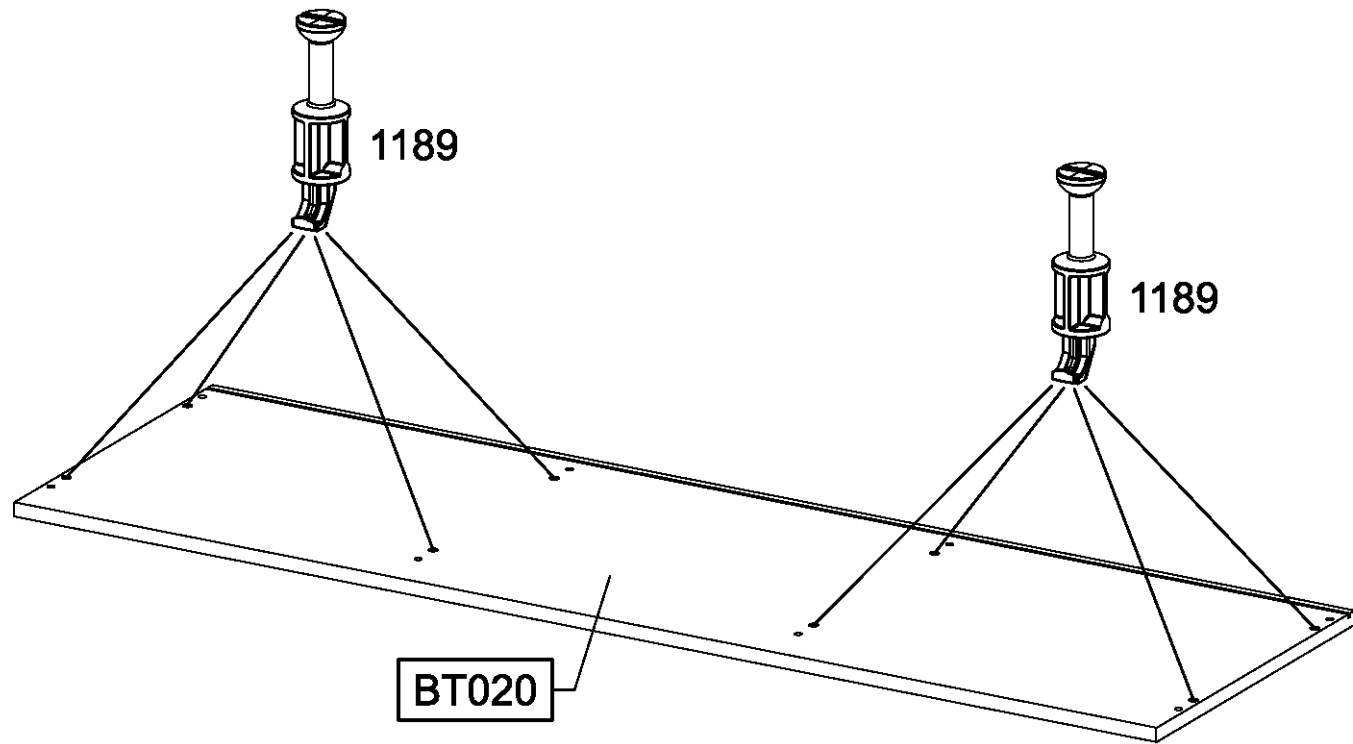


15

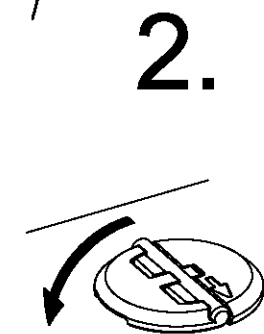
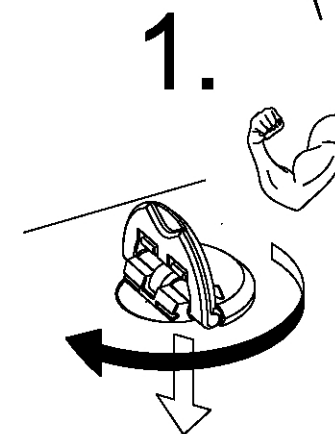
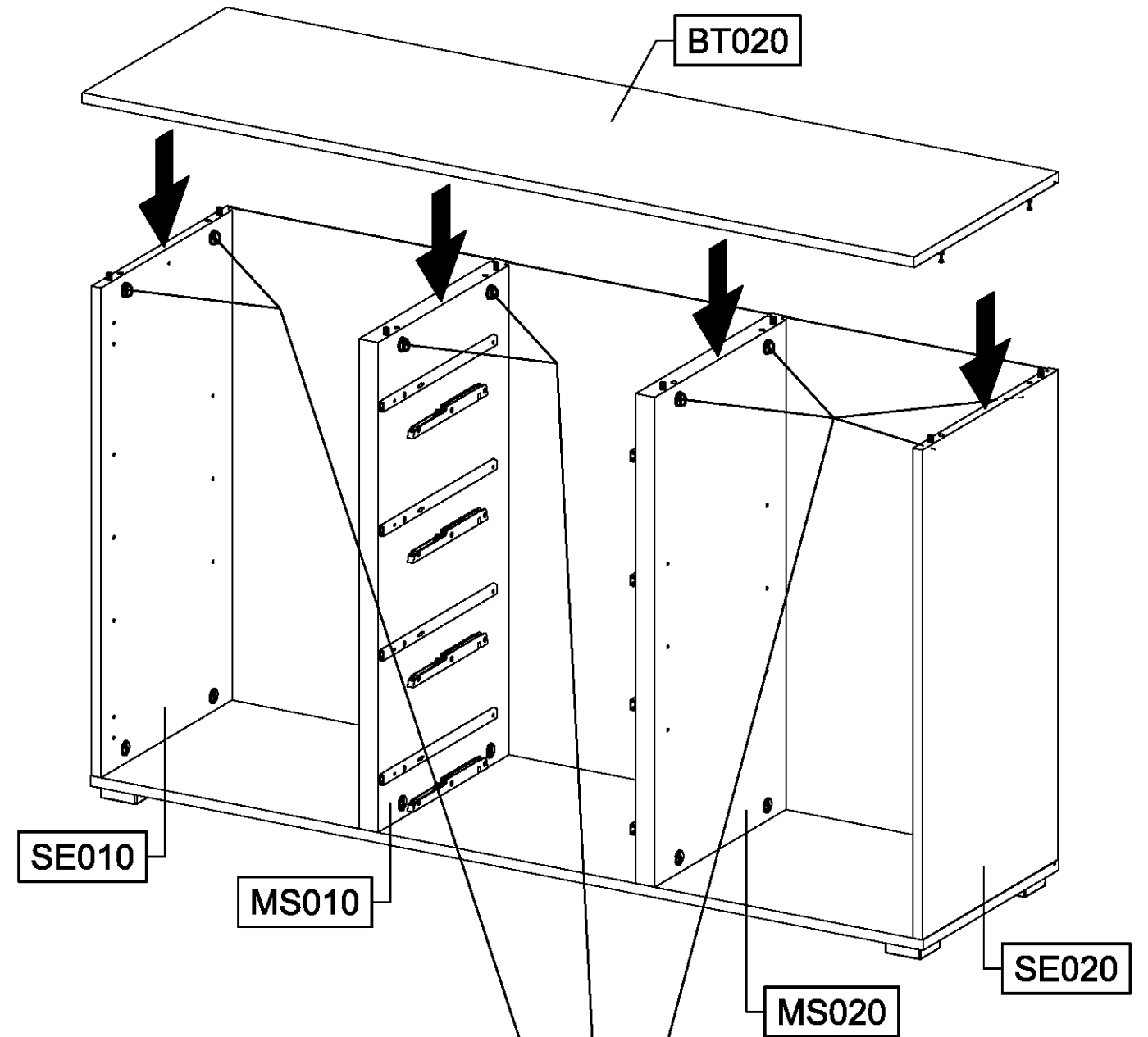


16

8x 1189



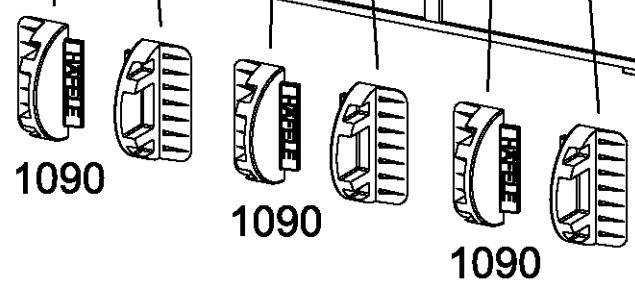
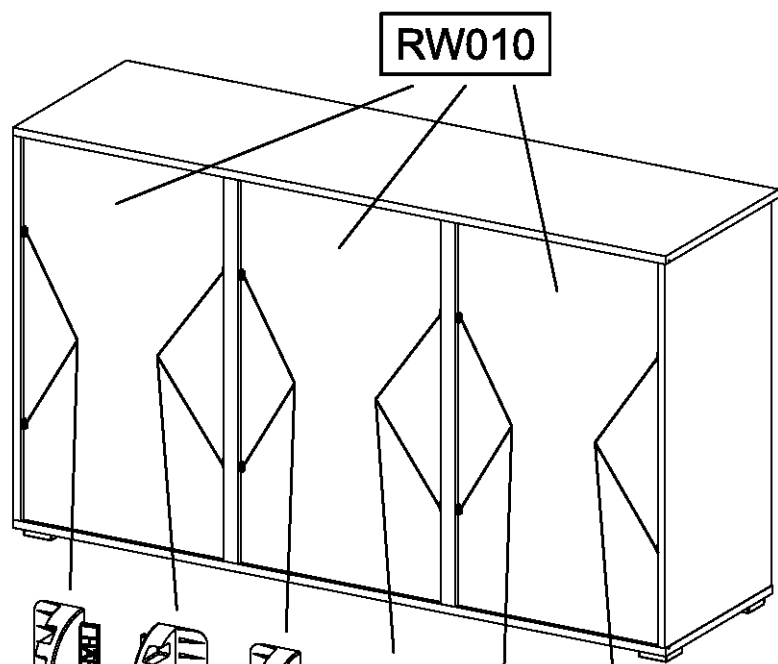
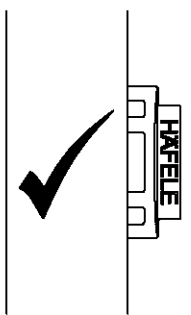
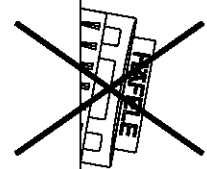
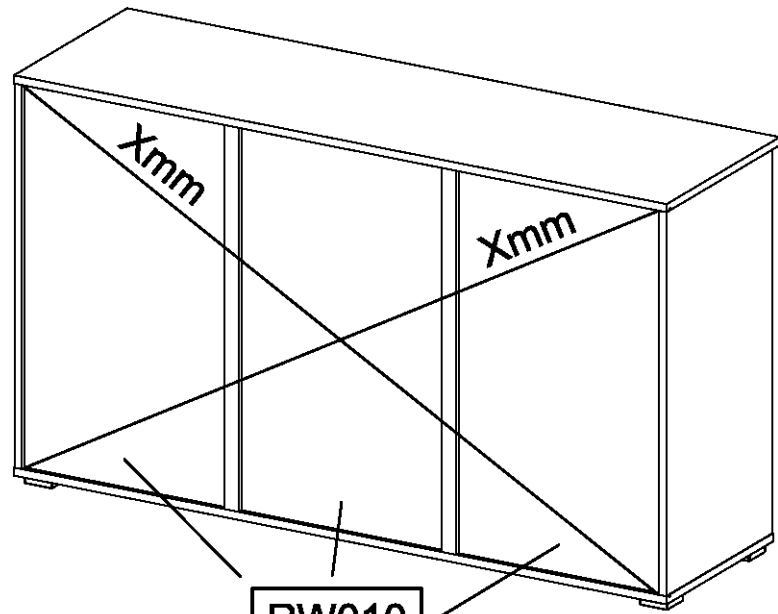
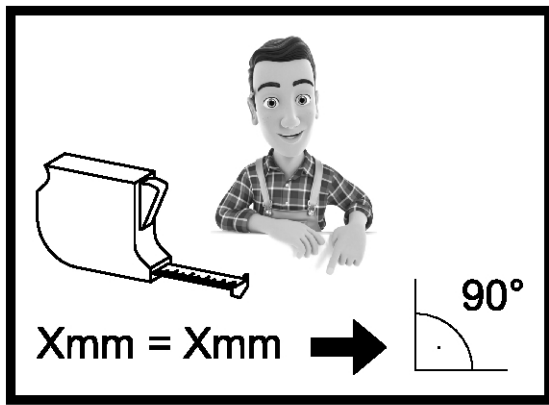
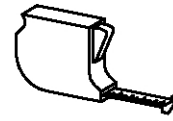
17



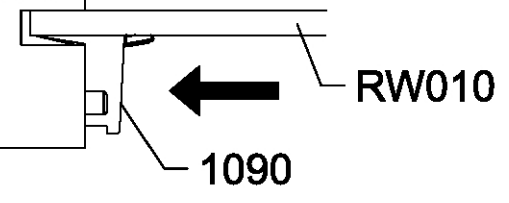
18

12x

1090



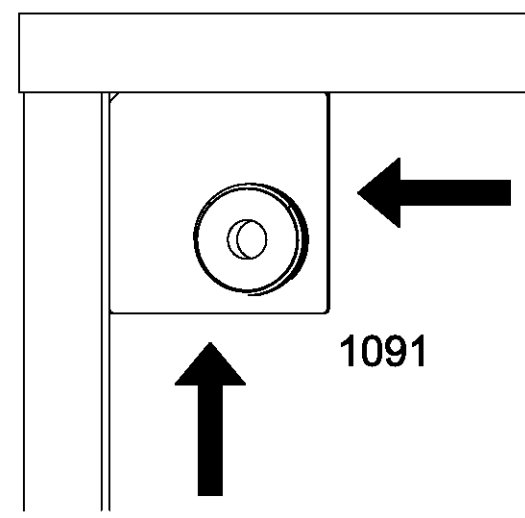
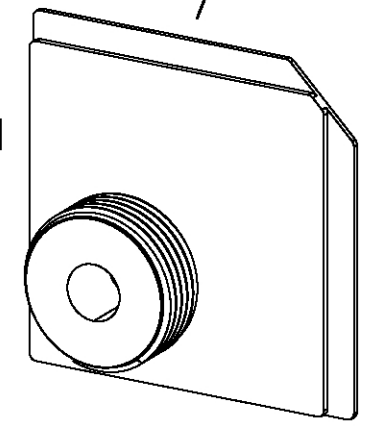
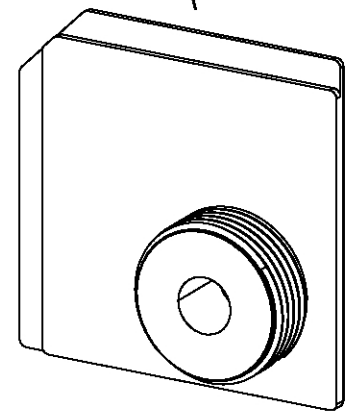
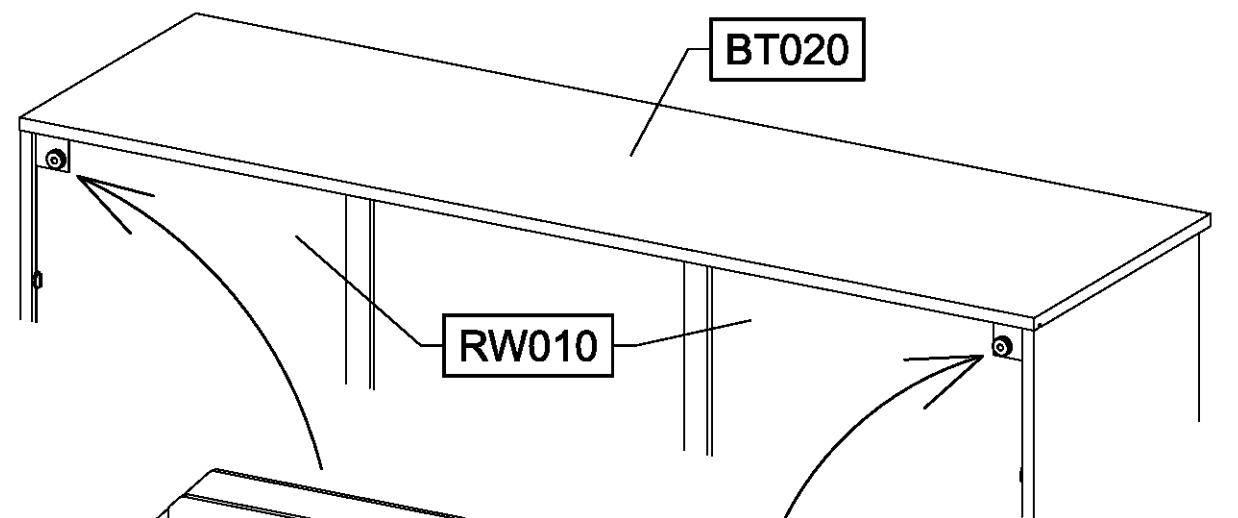
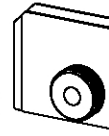
SE010
SE020
MS010
MS020



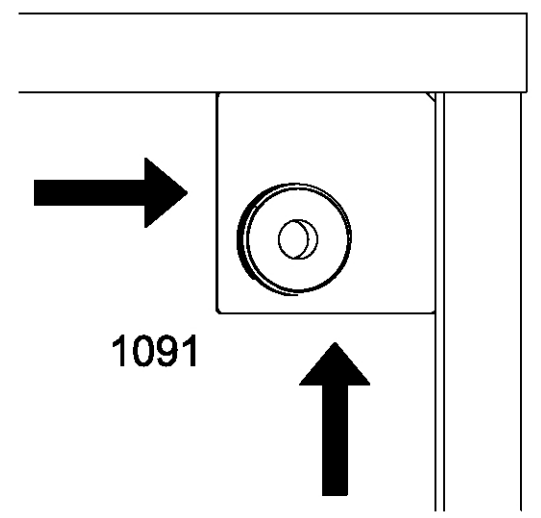
19

2x

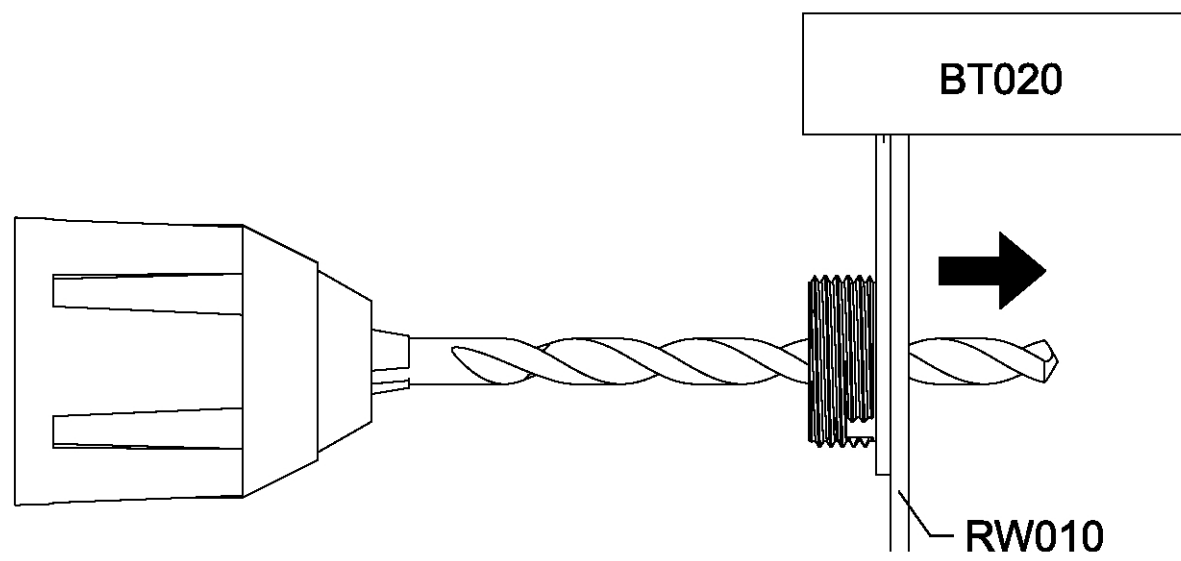
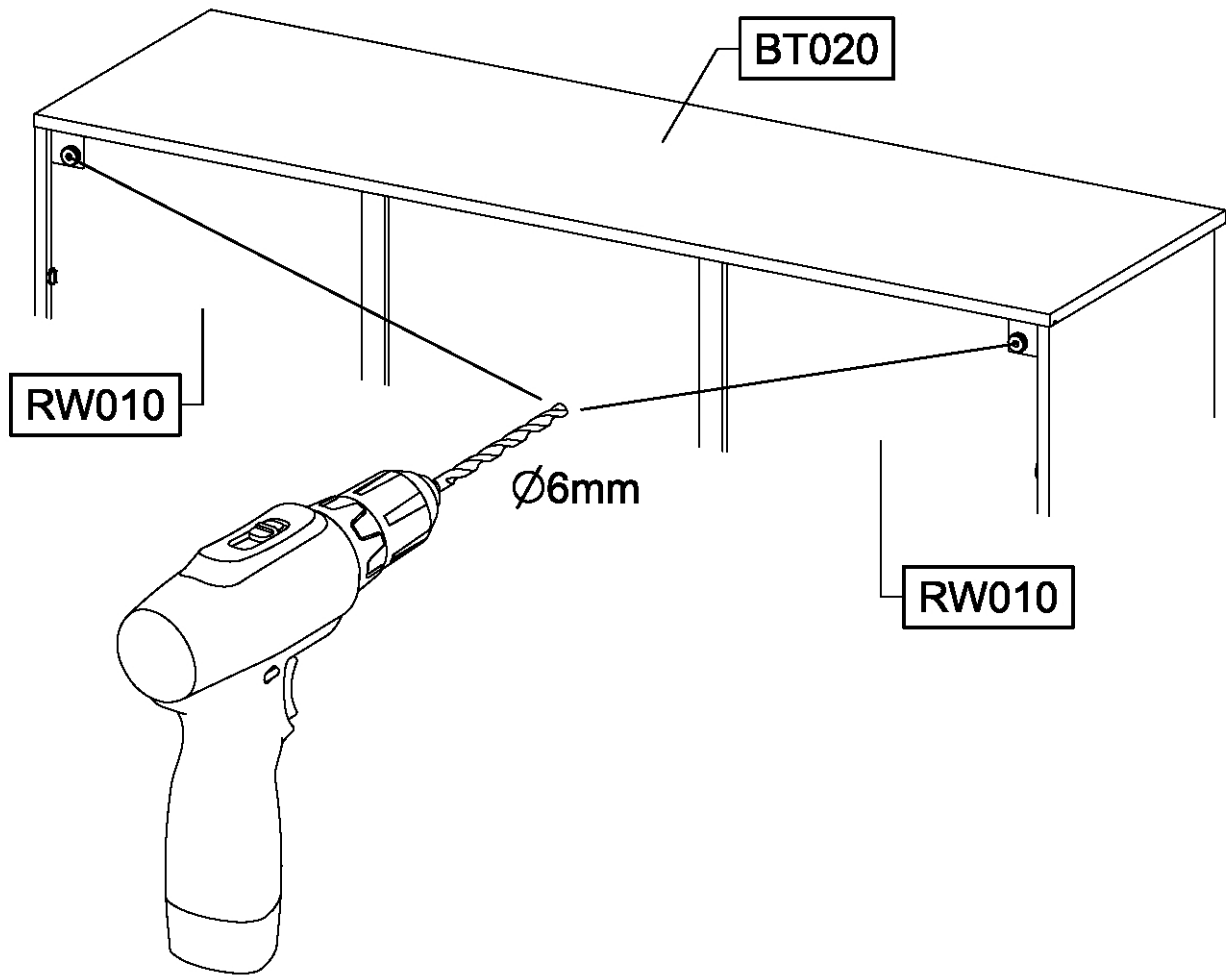
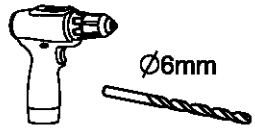
1091



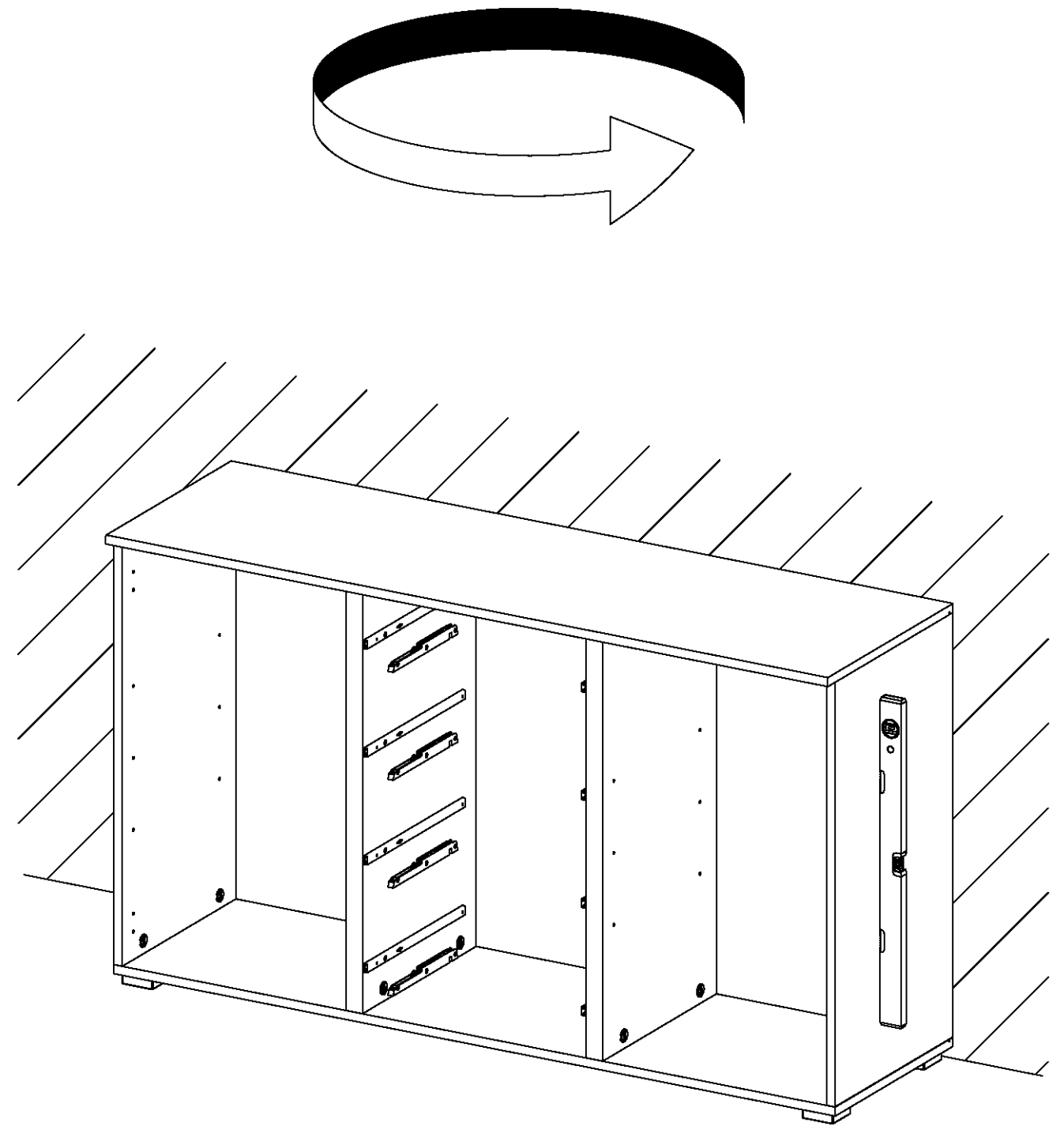
RW010



20



21



22

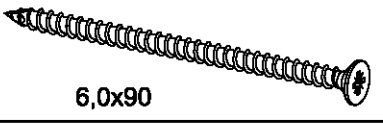
2x

1093

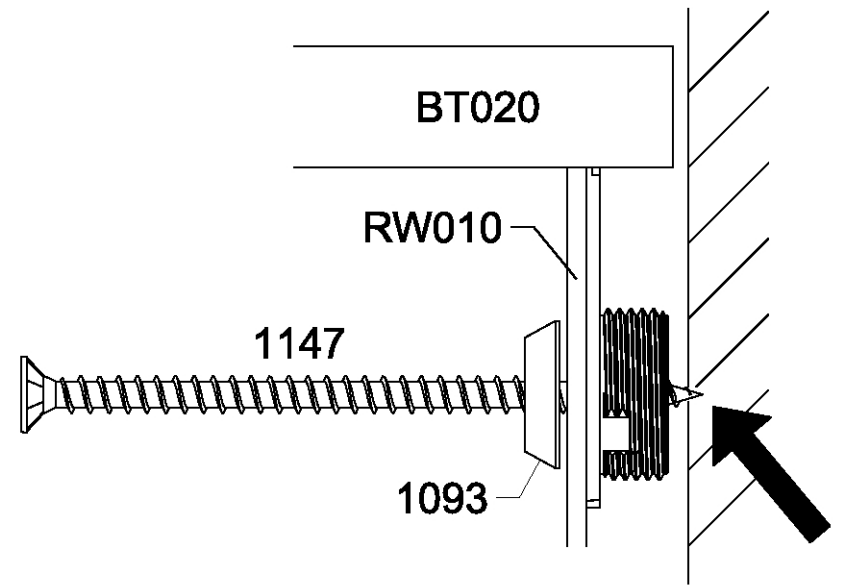
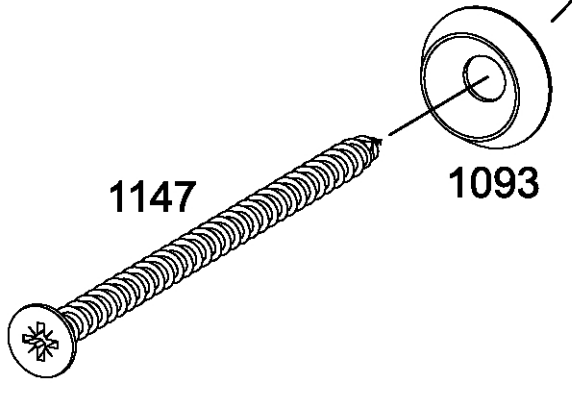
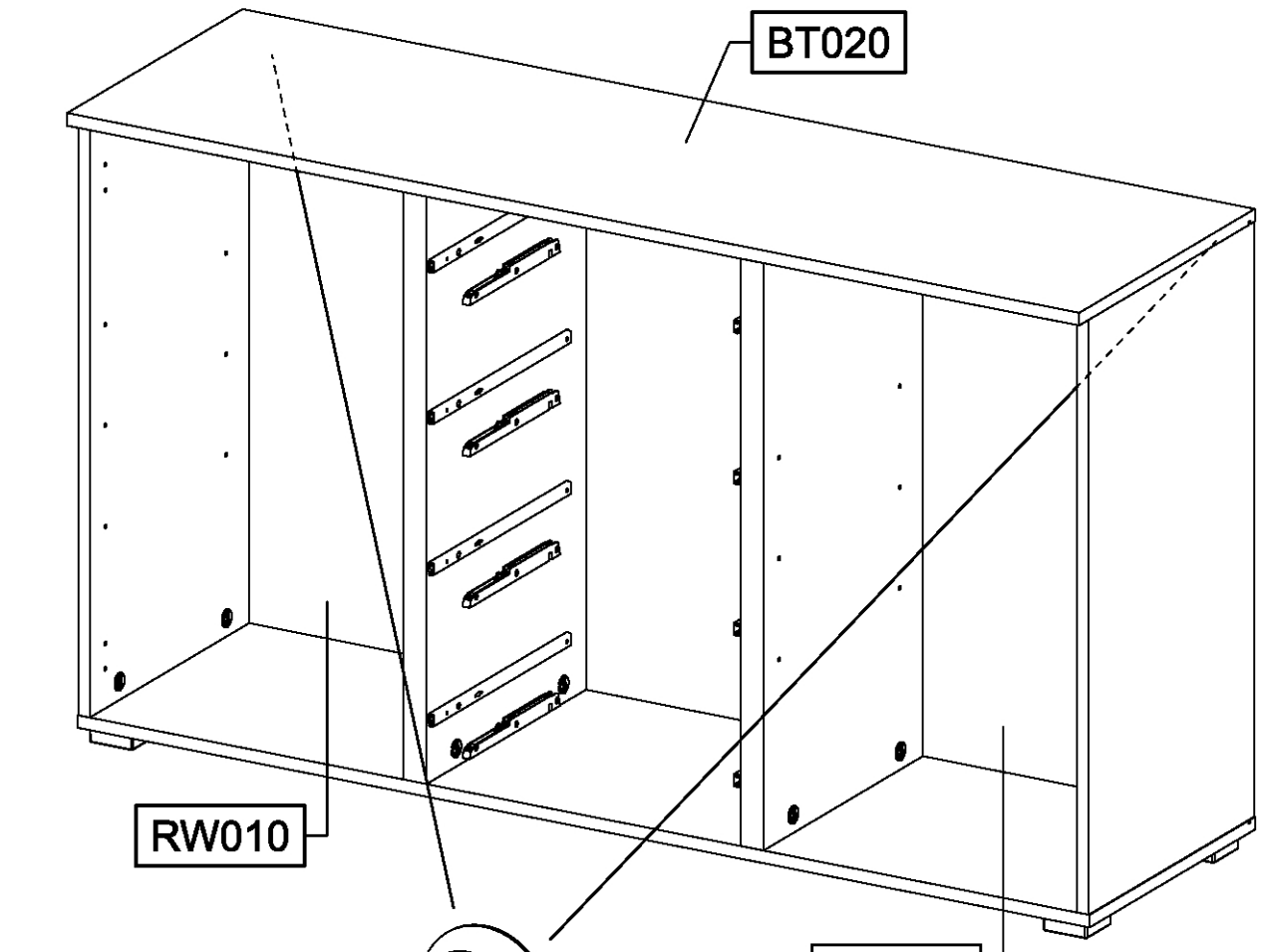
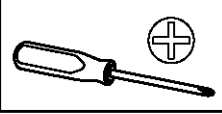


2x

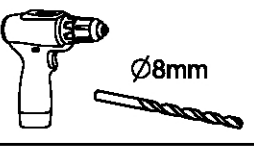
1147



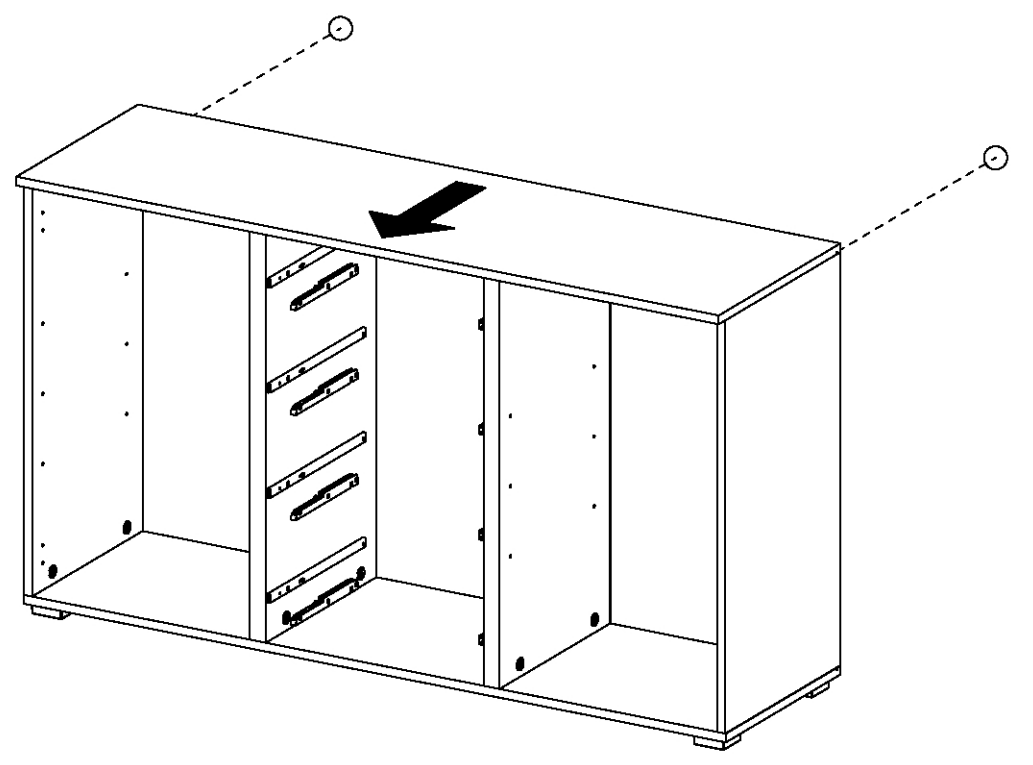
6,0x90



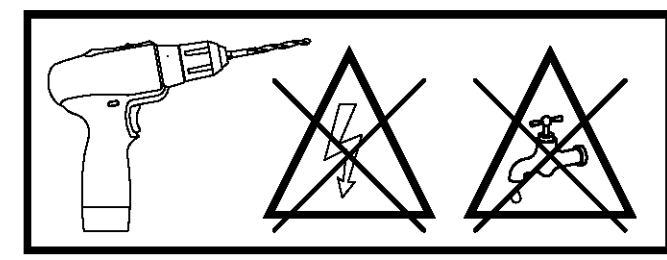
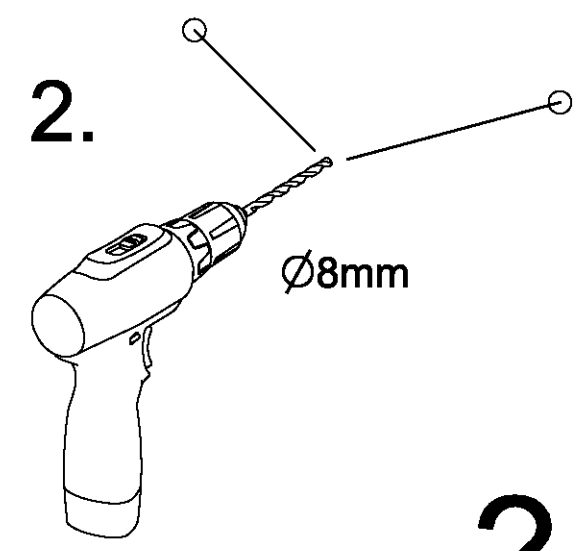
23



1.

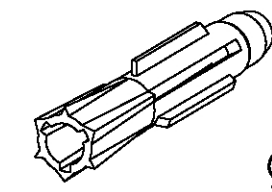
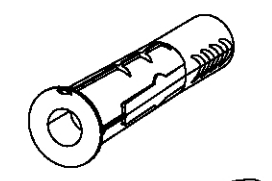


2.

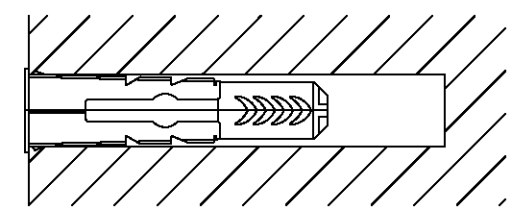


?

3.

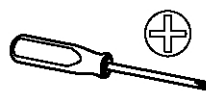
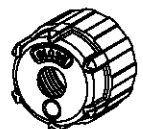


Ø8mm

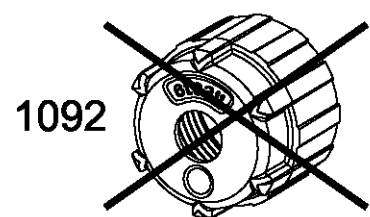
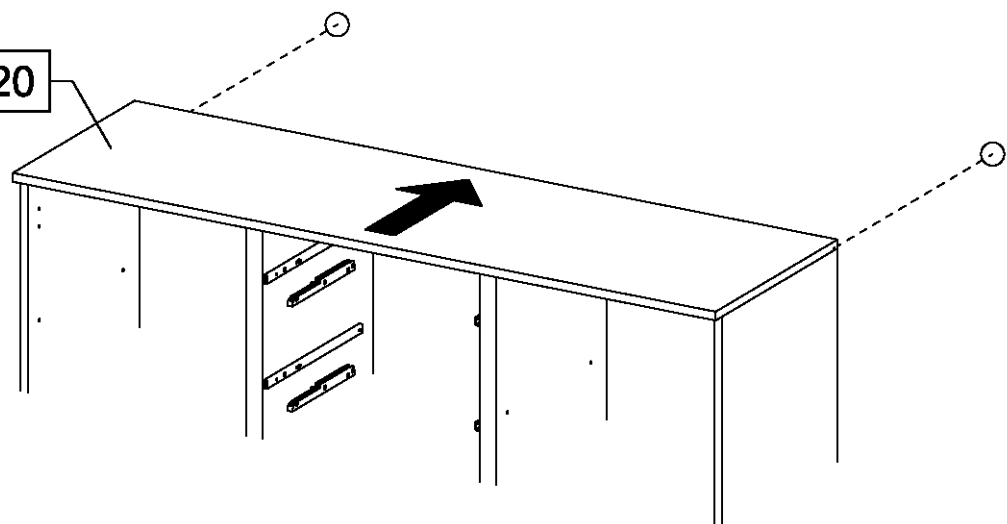


24

2x 1092



BT020



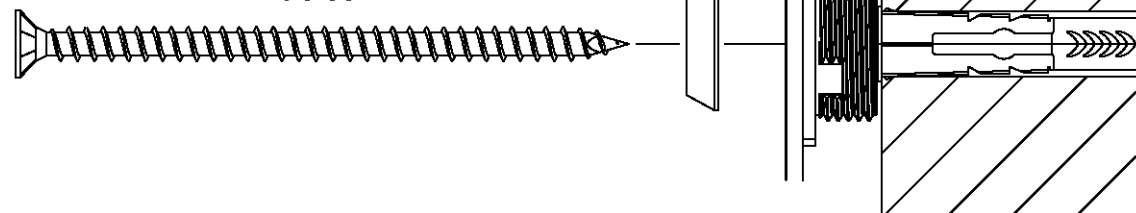
1092



BT020

1093

1147



10-15mm

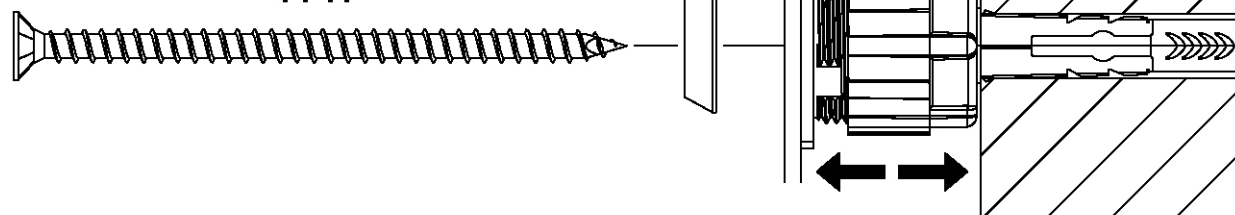


BT020

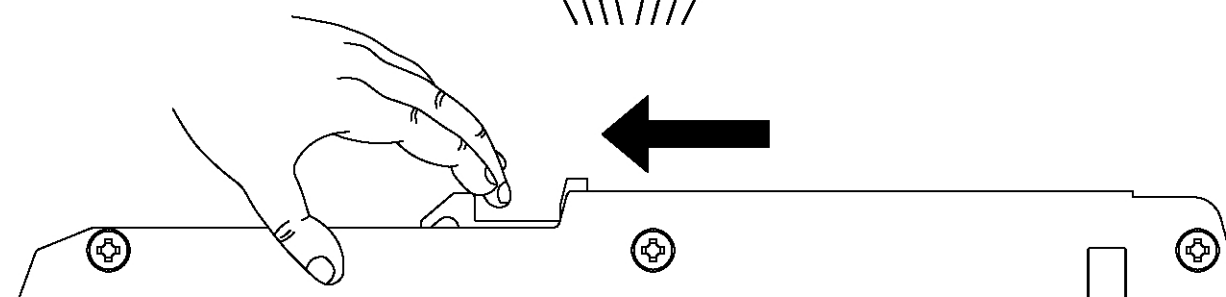
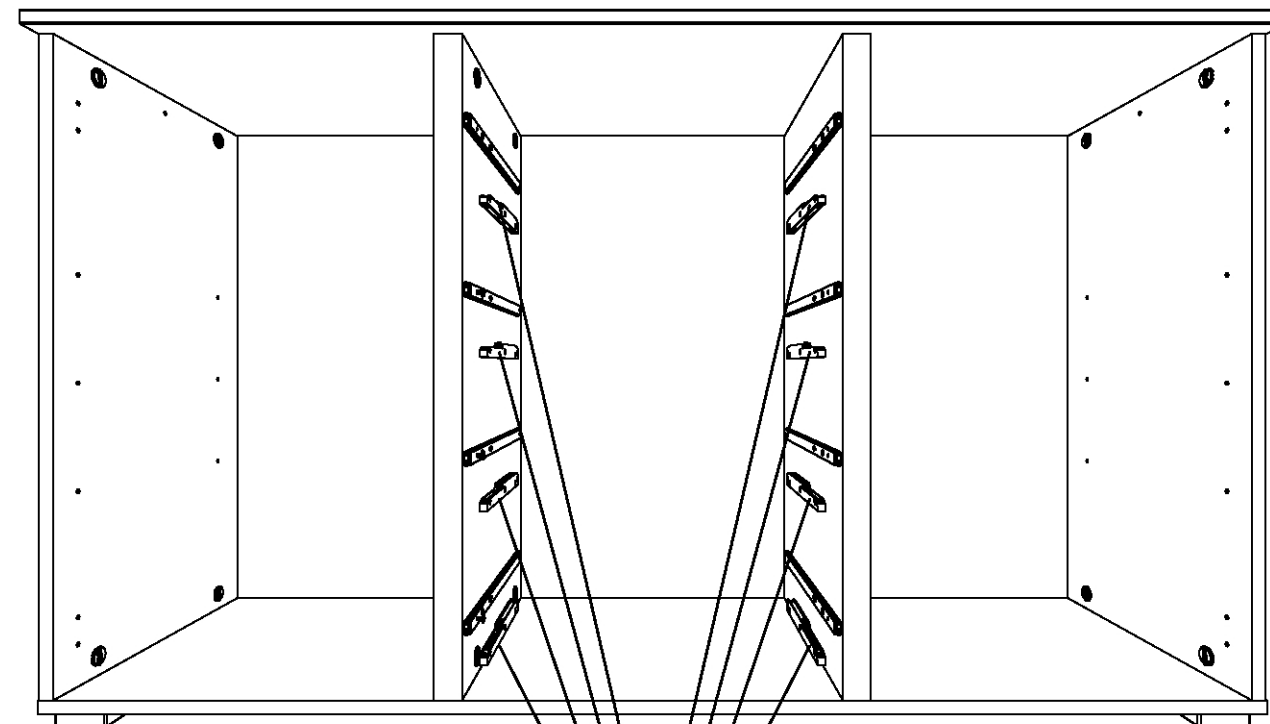
1093

1092

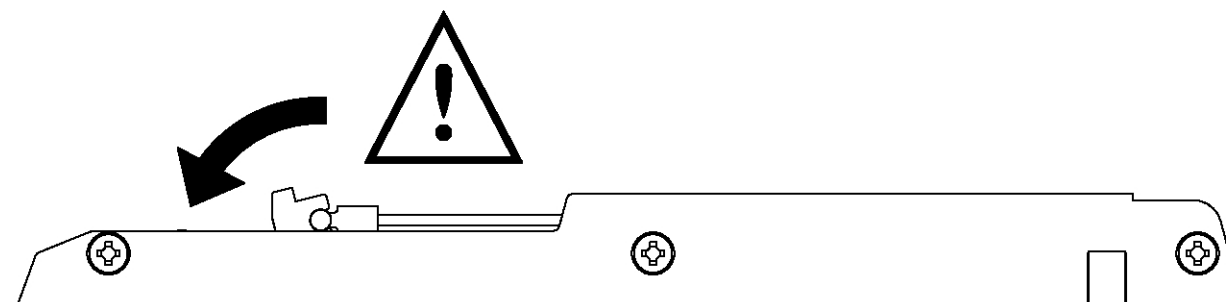
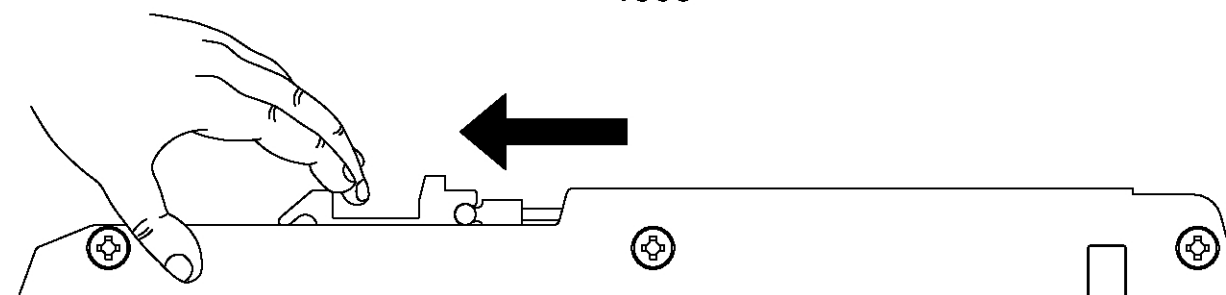
1147



25



1000



26

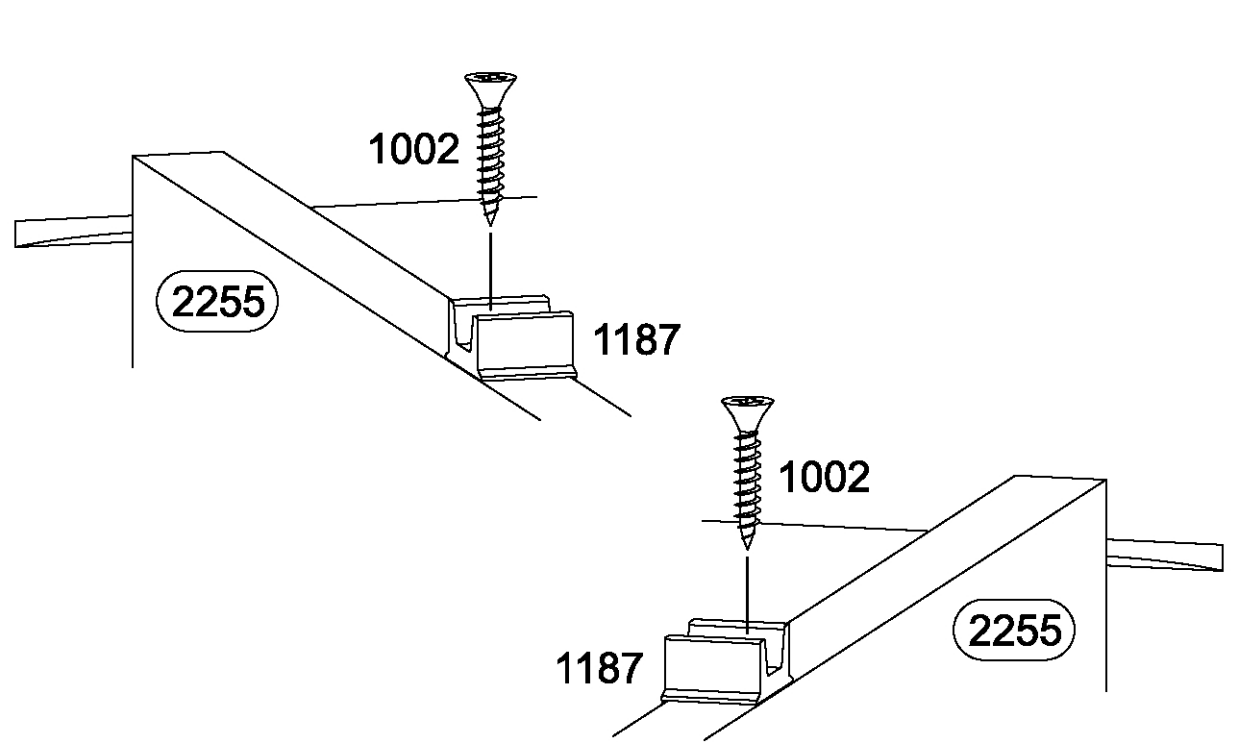
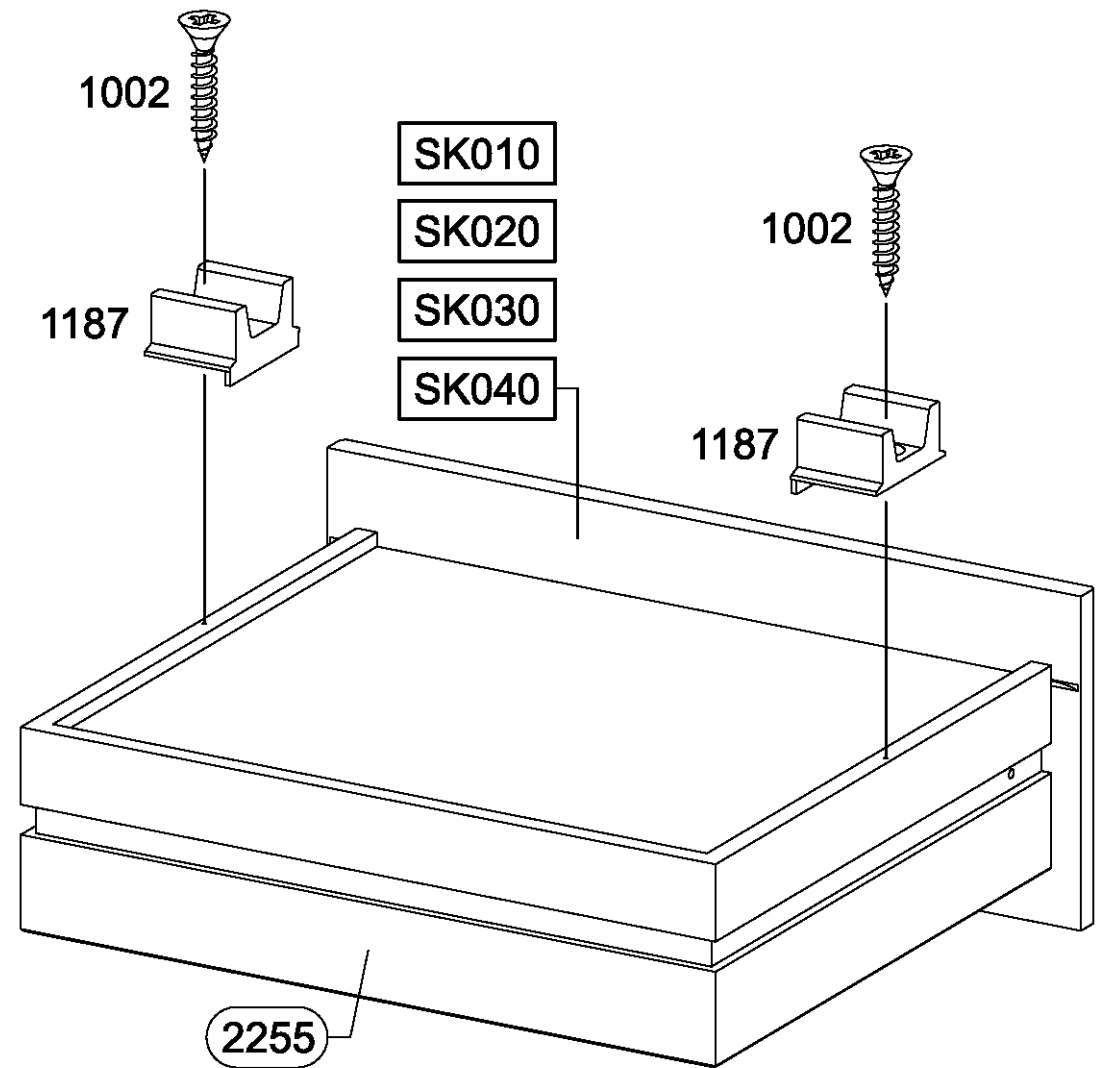
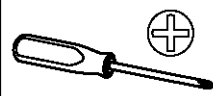
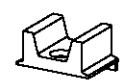
8x

1002



8x

1187

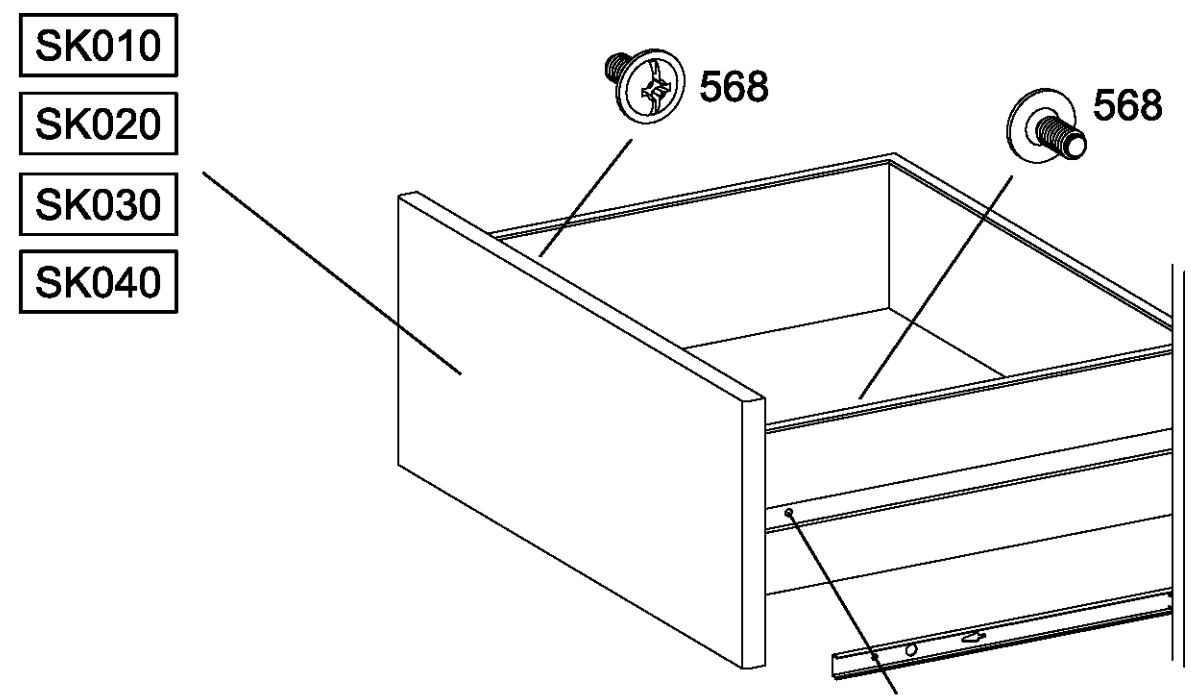
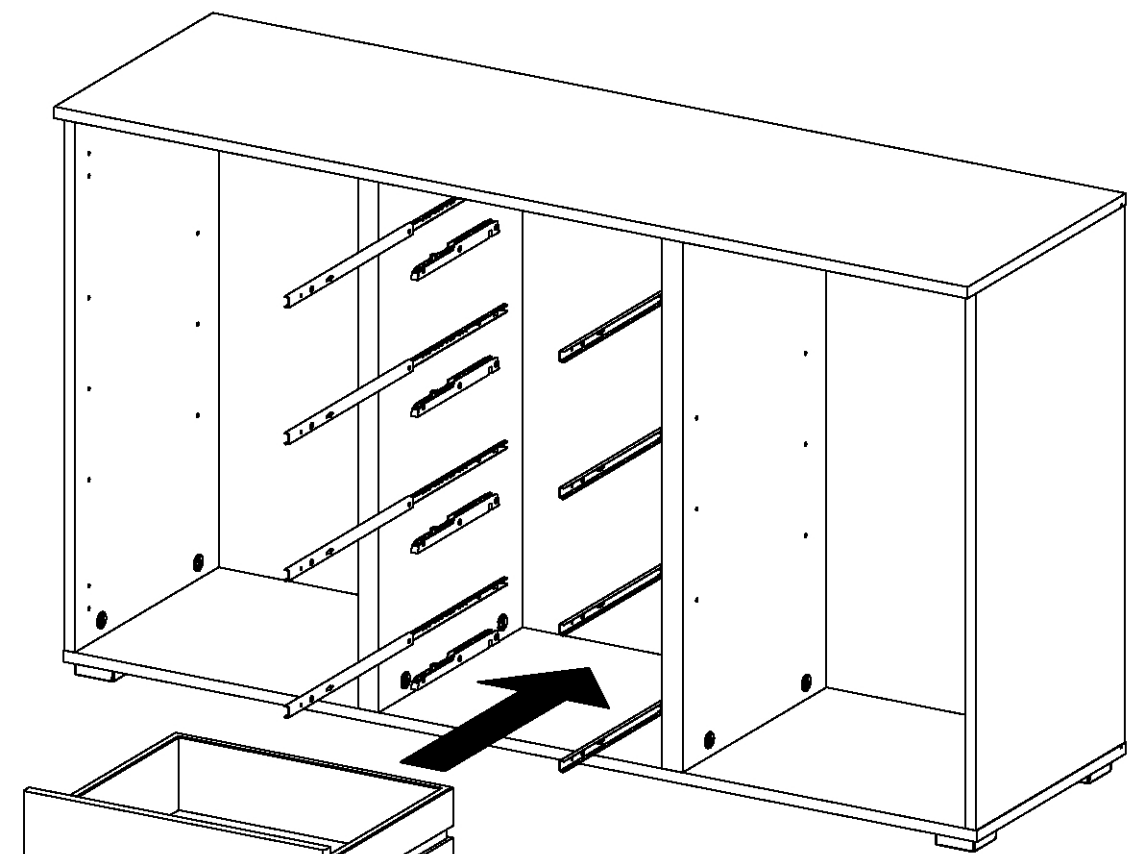
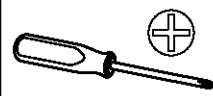


27

8x

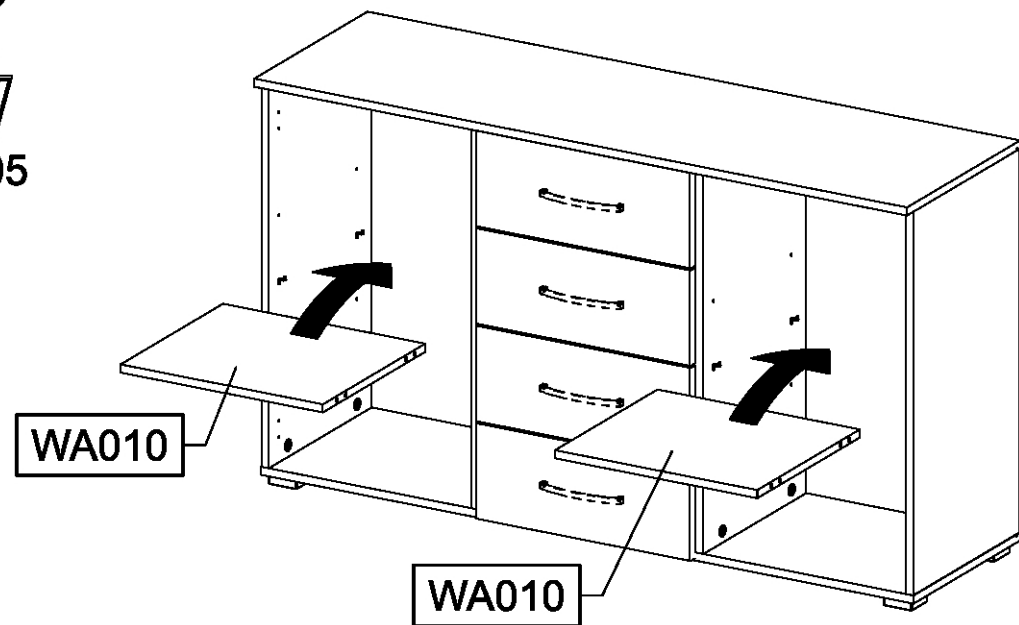
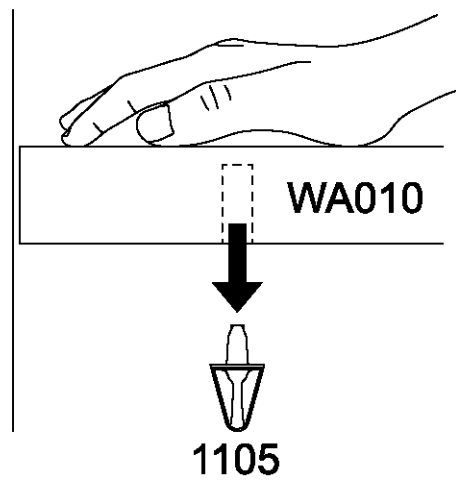
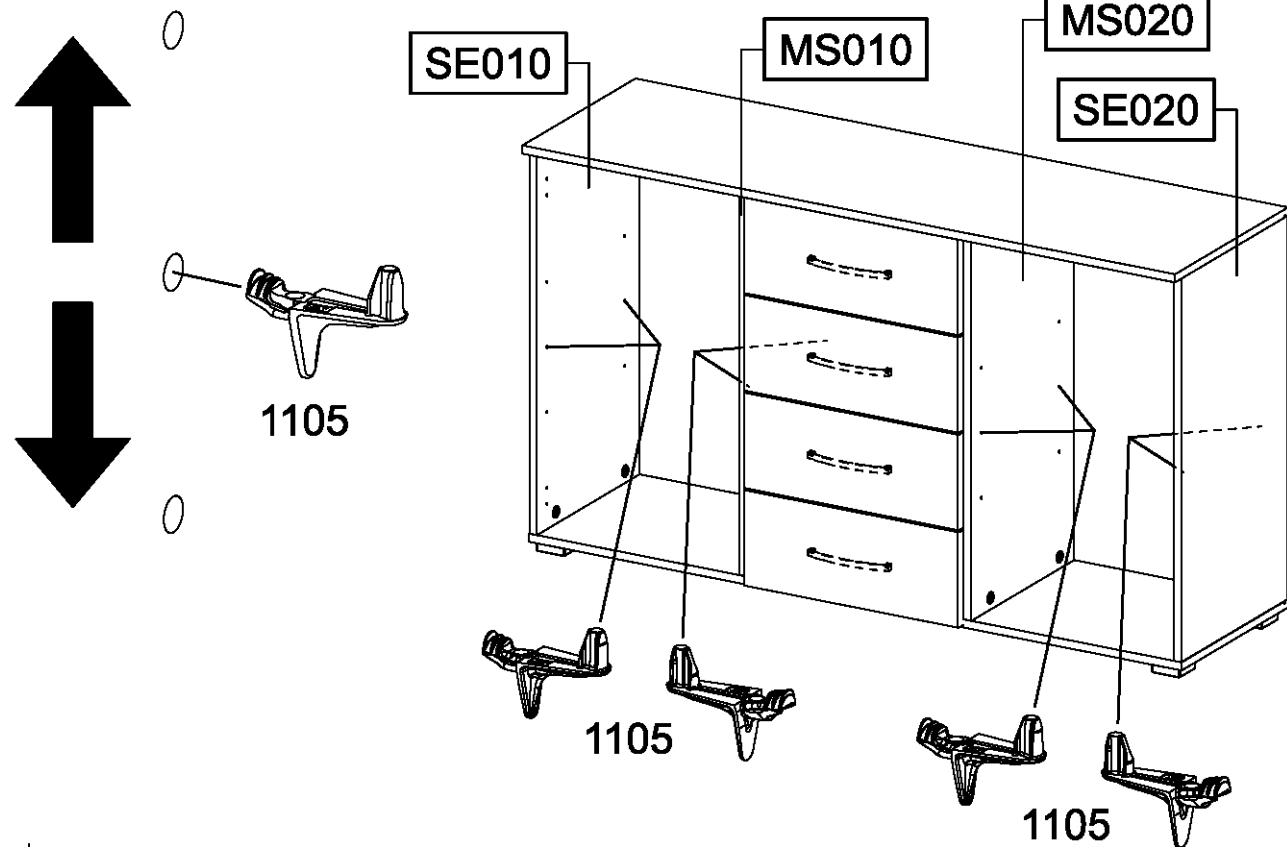
568

M4x9



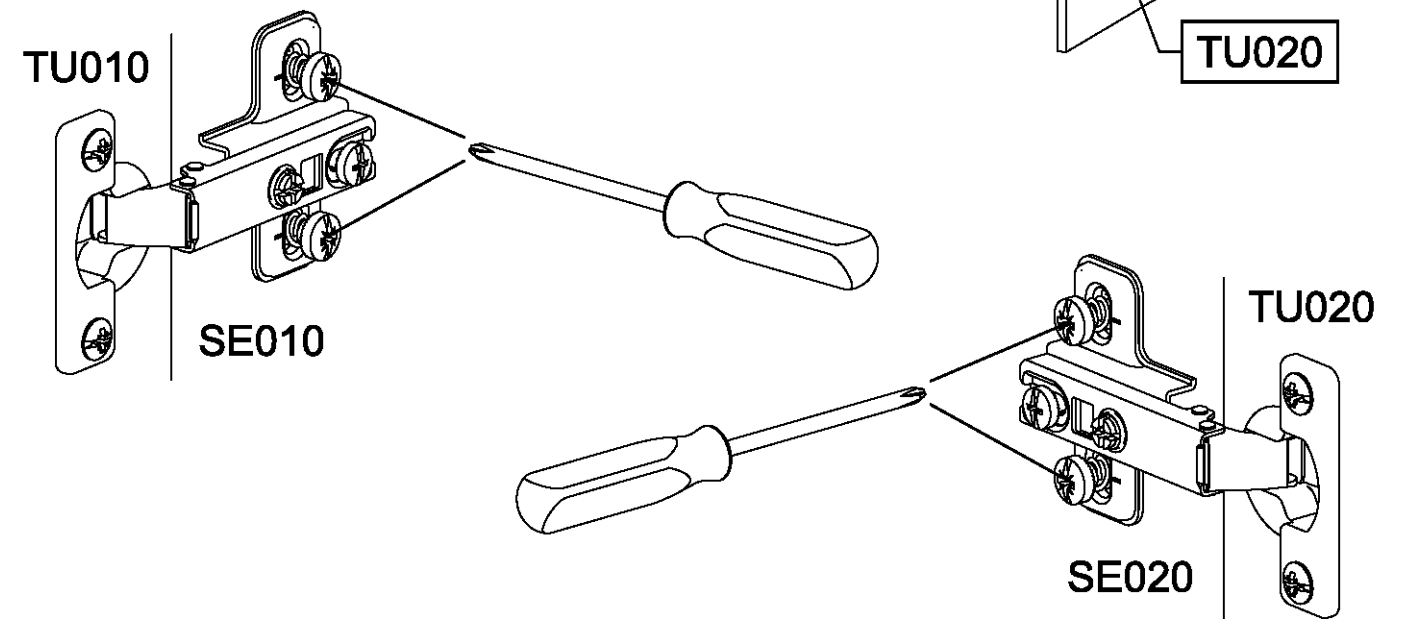
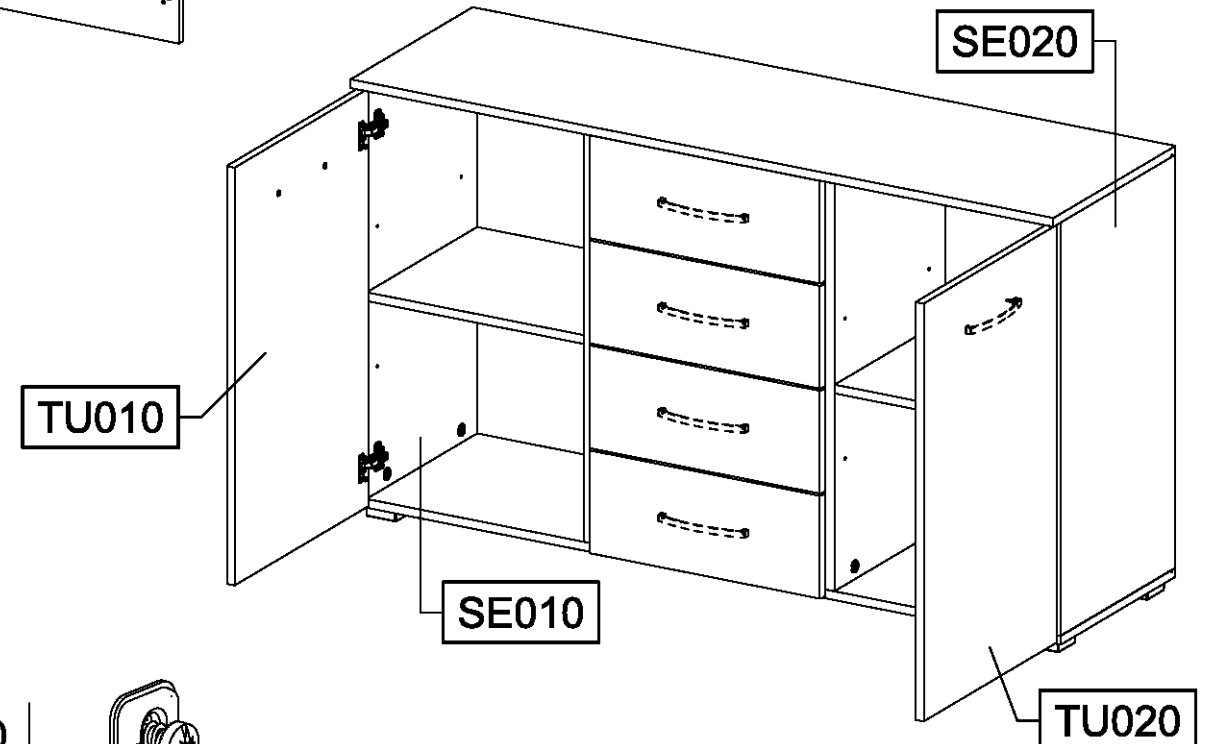
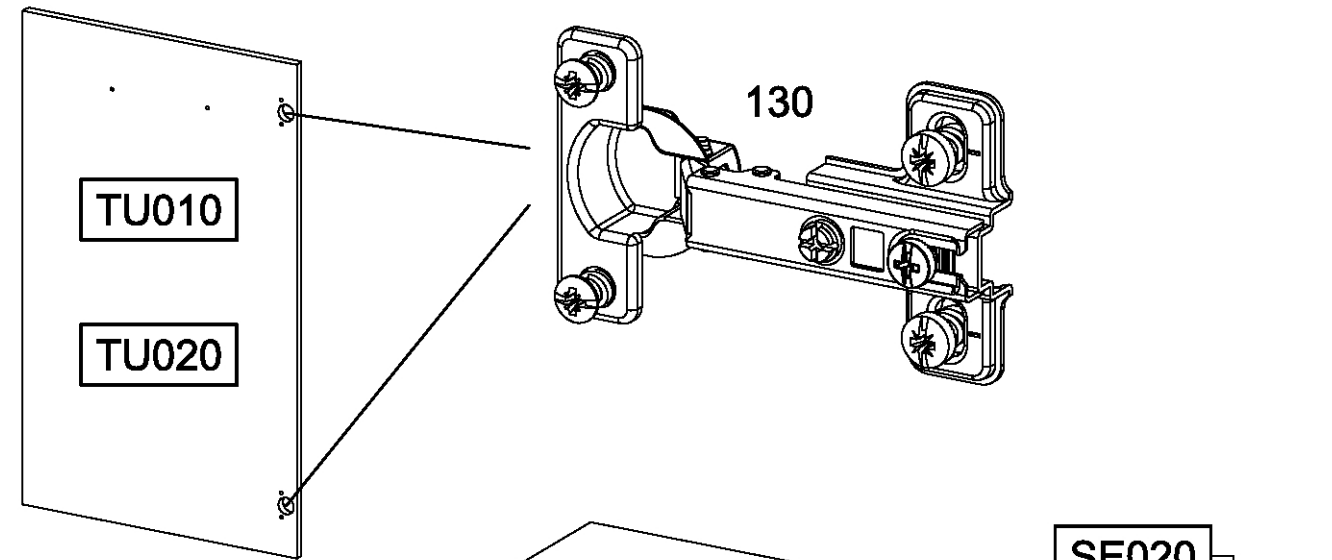
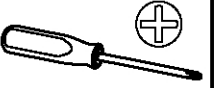
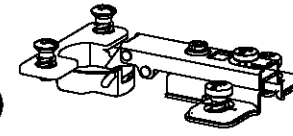
28

8x 1105



29

4x 130



30

