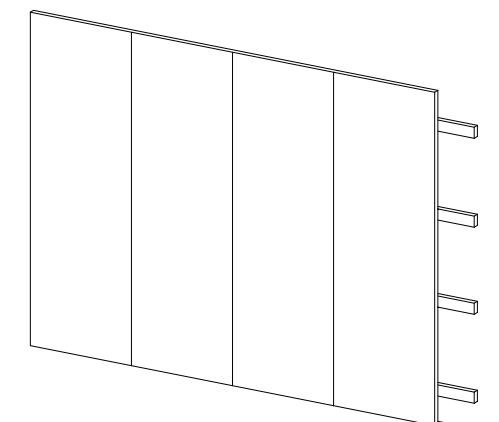
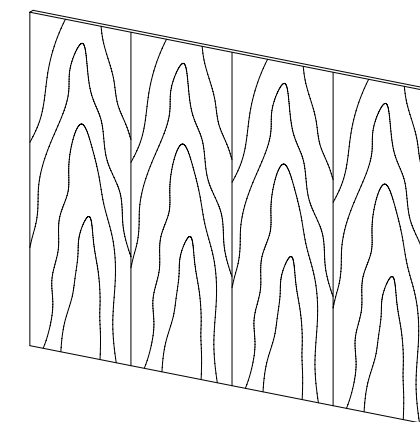
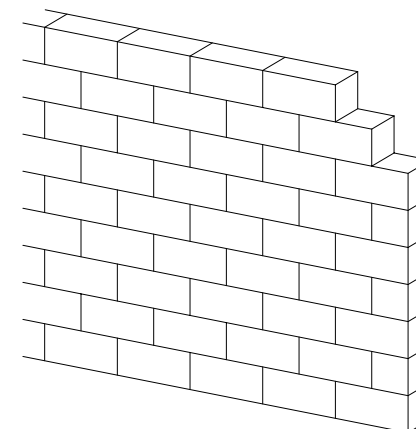
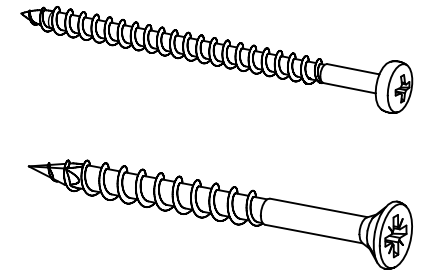
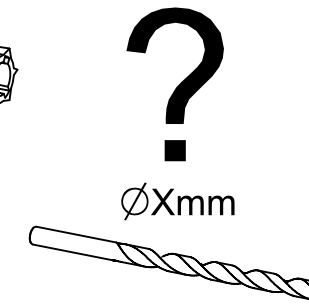
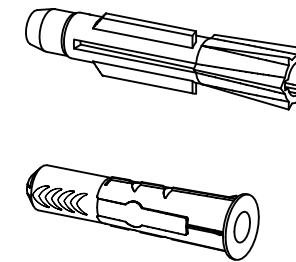
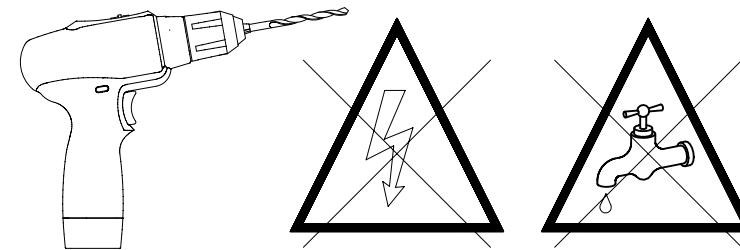
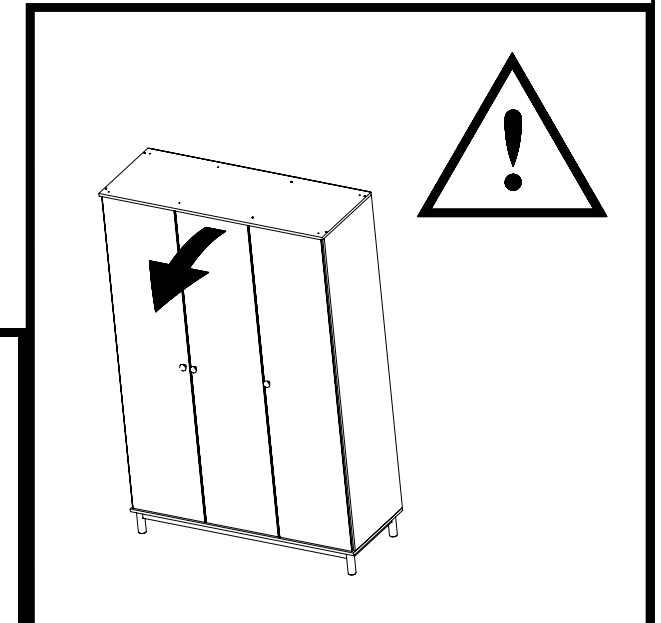
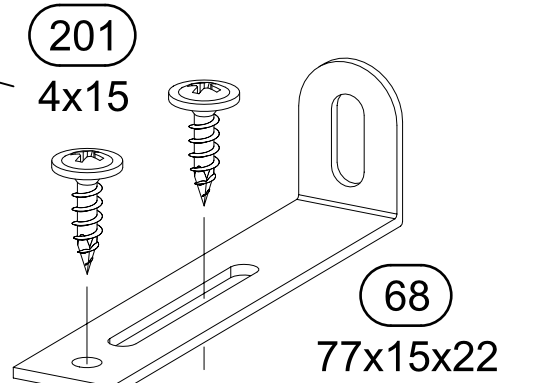
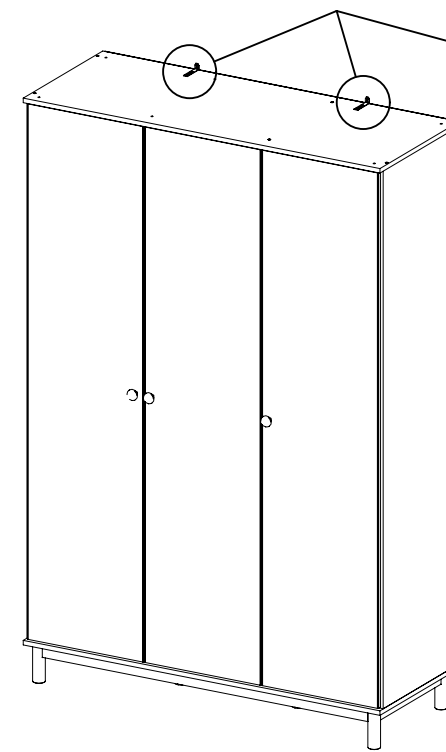
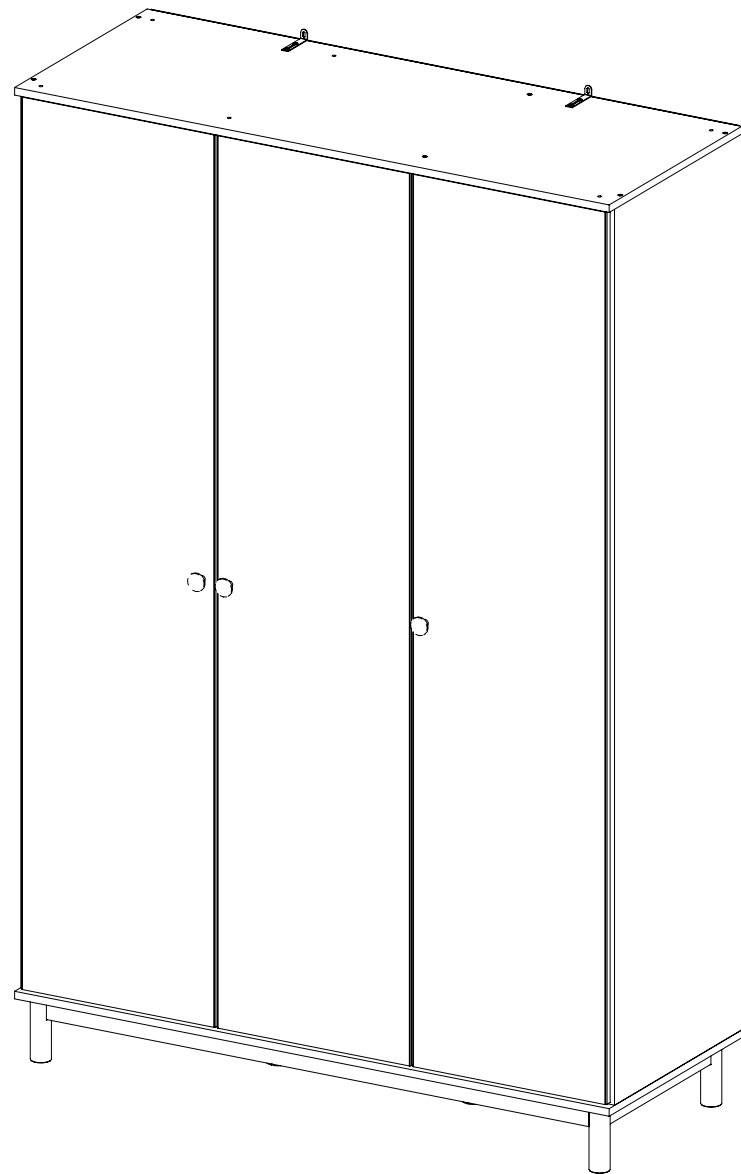
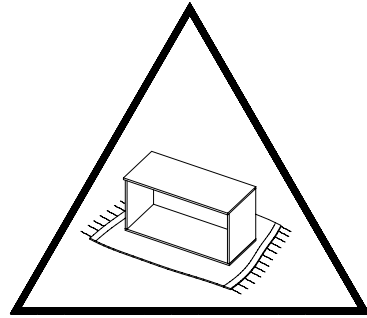
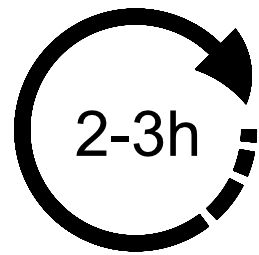
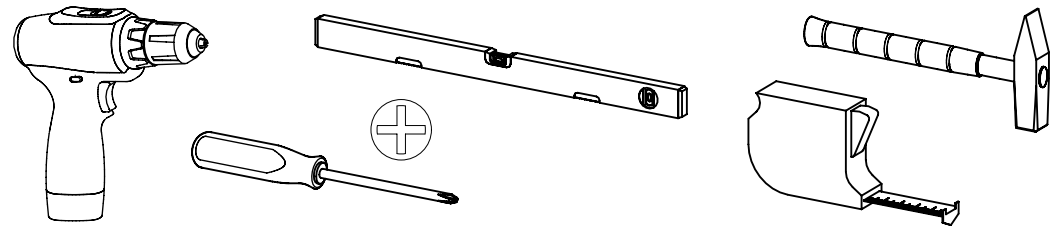
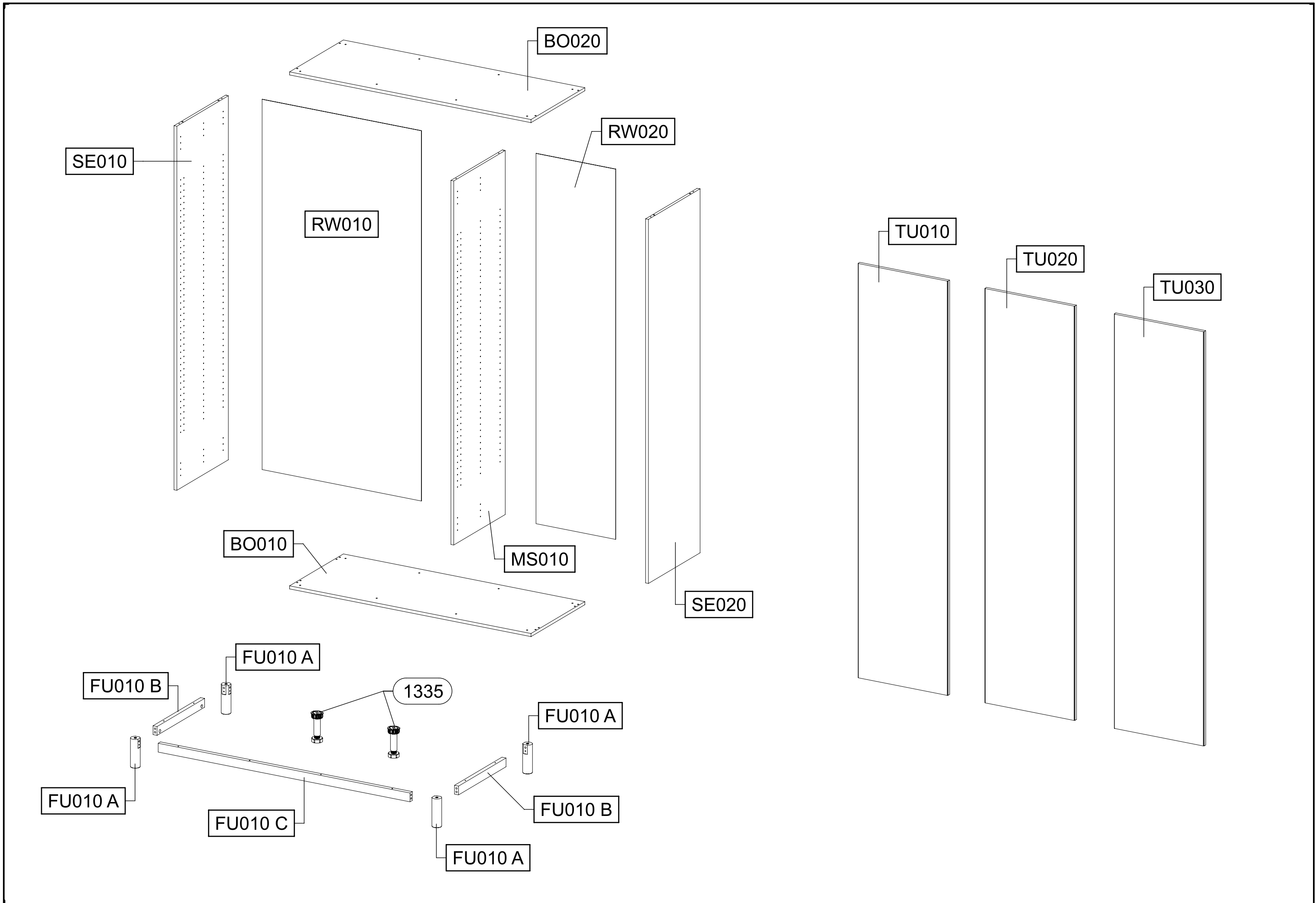
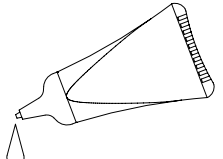
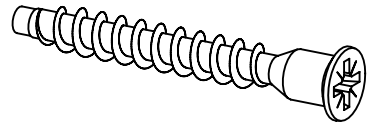



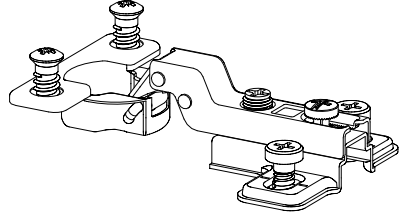
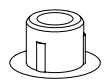
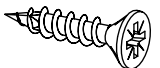
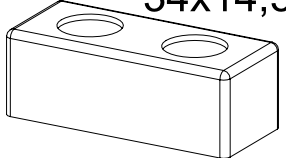
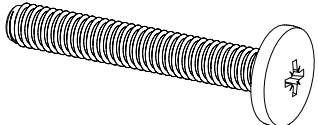
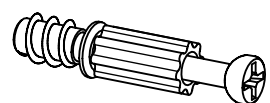

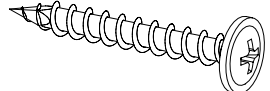
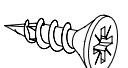
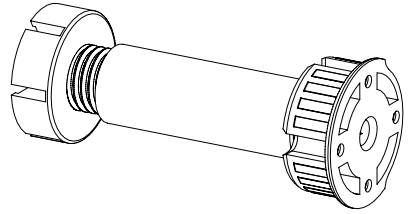
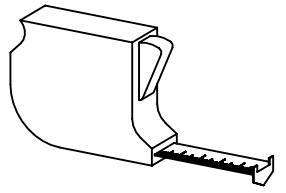
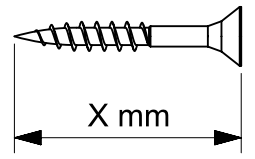
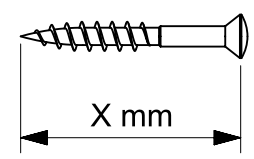
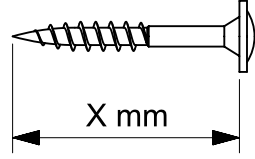




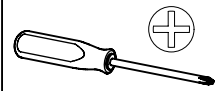
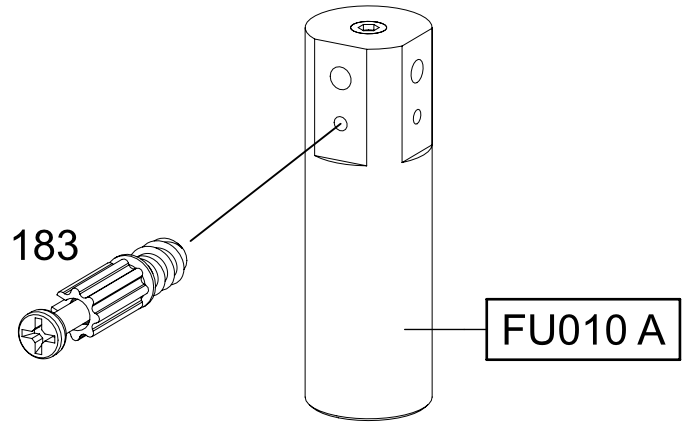
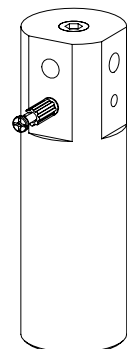
M2732_01

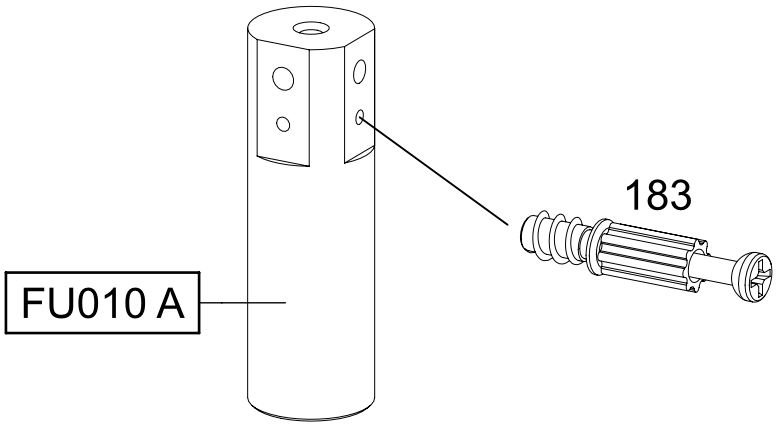
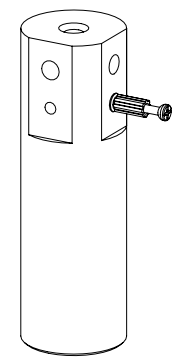
rauch

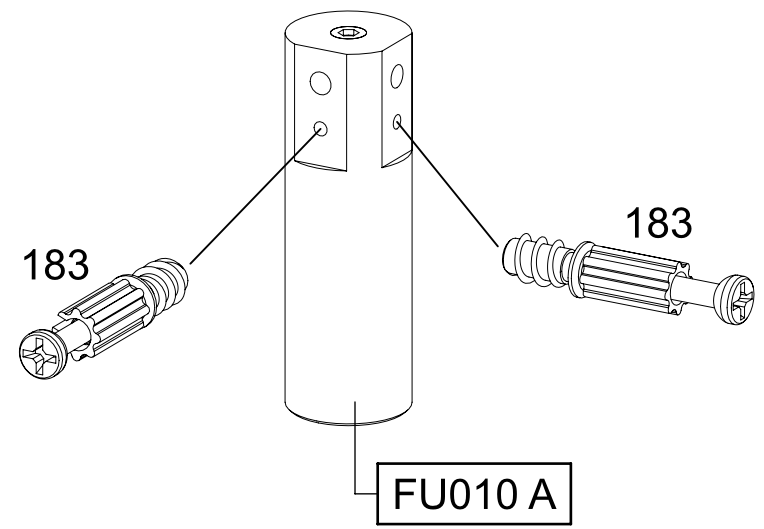
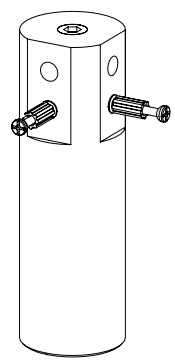




<p>11 </p>	<p>12x 233 </p>	<p>14x 18 </p>
<p>34x 768 </p>	<p>7x 215 </p>	
<p>9x 116 </p>	<p>8x 405 </p>	
<p>4x 427 </p>	<p>2x 769 </p>	
<p>4x 245 </p>	<p>6x 183 </p>	
<p>6x 349 </p>	<p>8x 214 </p>	
<p>8x 836 </p>	<p>2x 1335 </p>	
		
		

<p>1 </p>	<p>6x </p>	
	<p>1x</p> 	

	<p>1x</p> 	

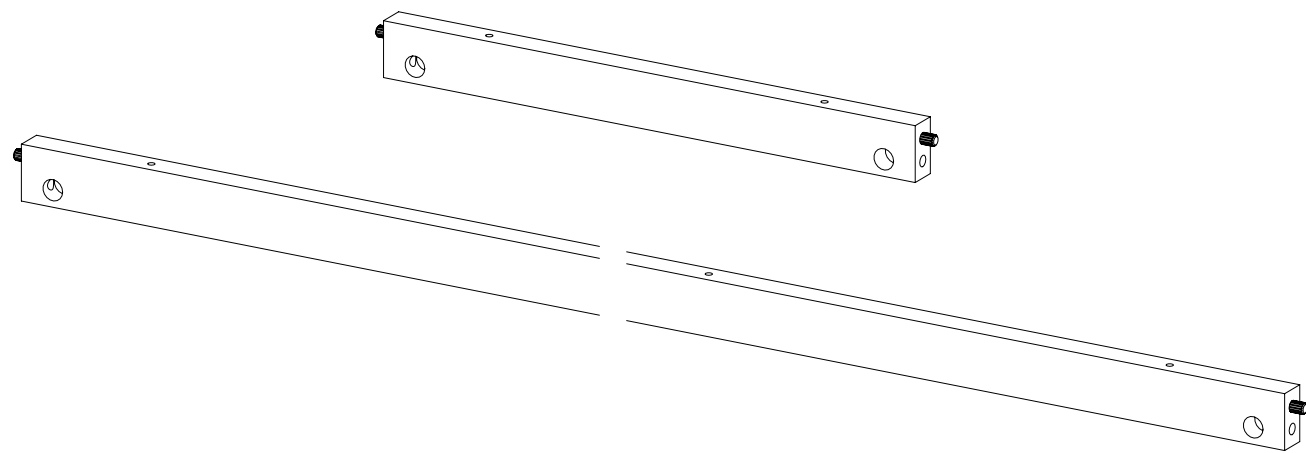
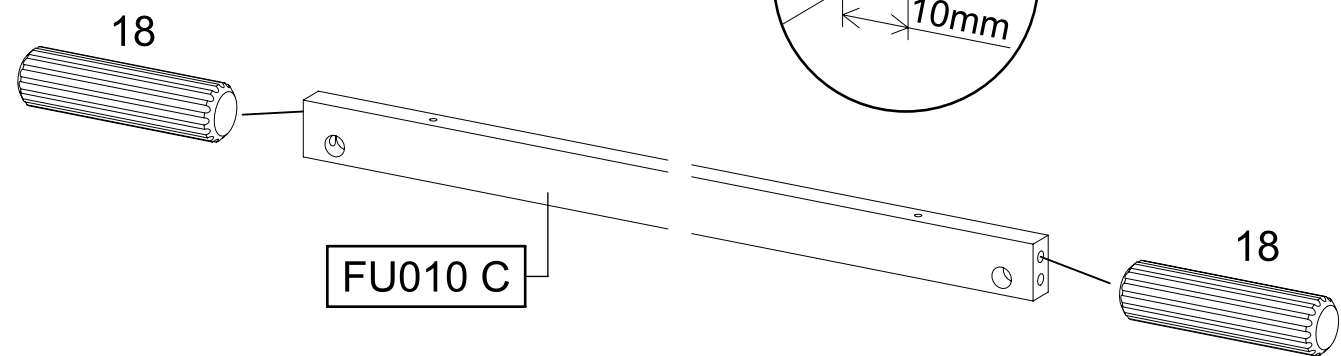
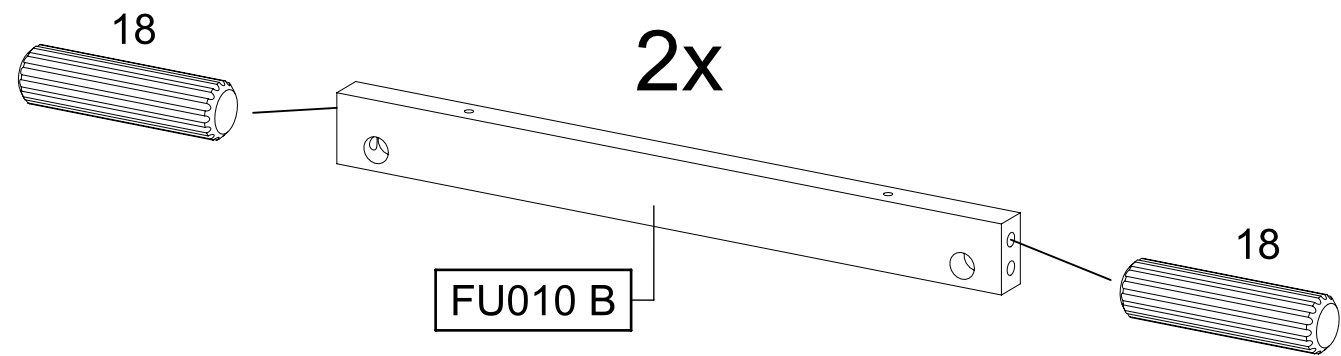
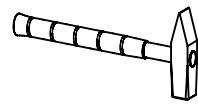
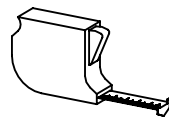
	<p>2x</p> 	

2

6x

18

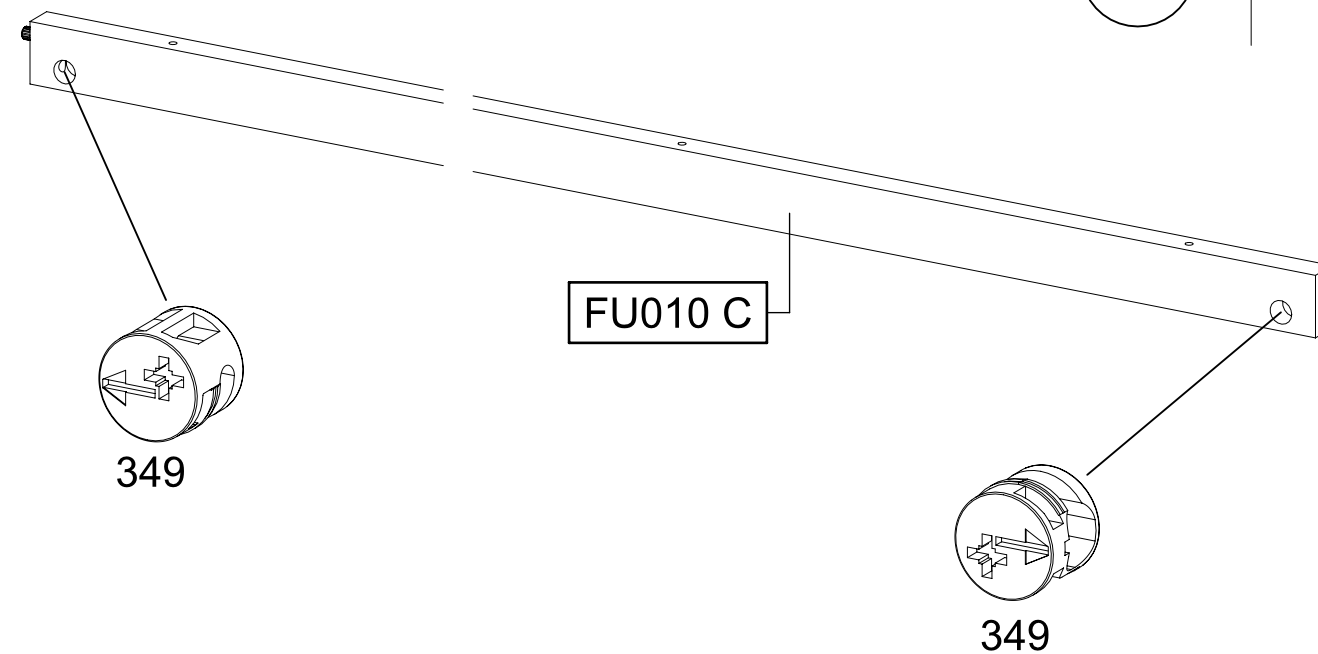
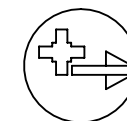
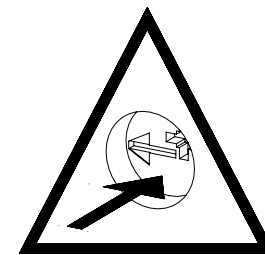
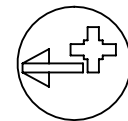
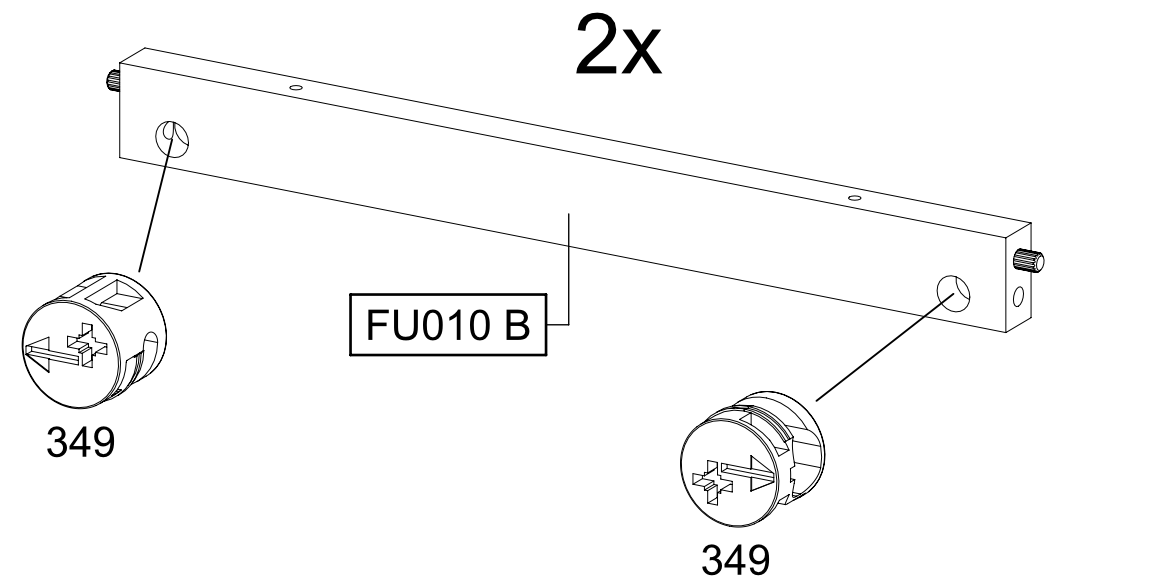
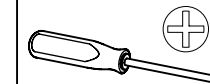
8x30



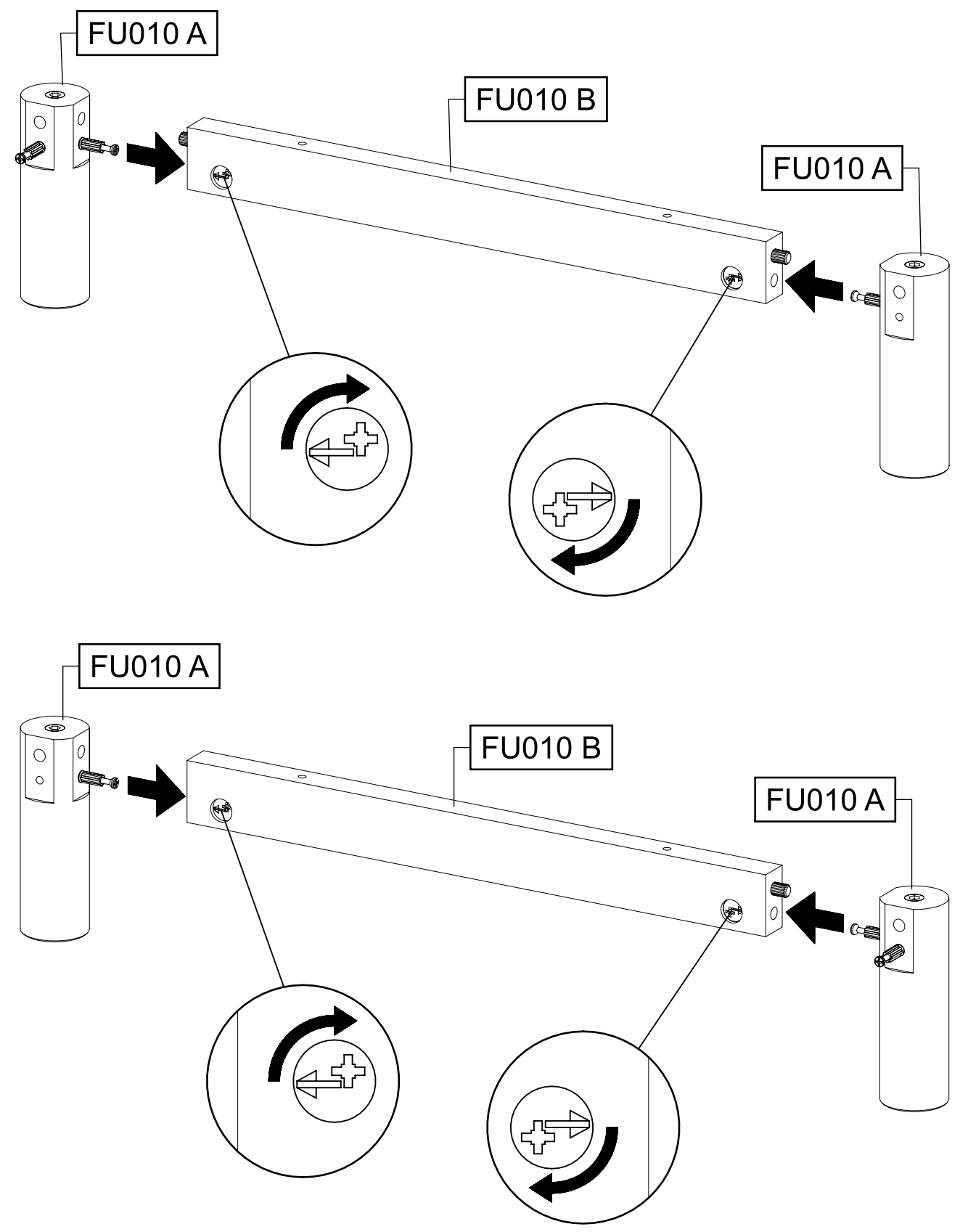
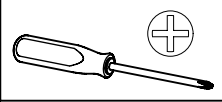
3

6x

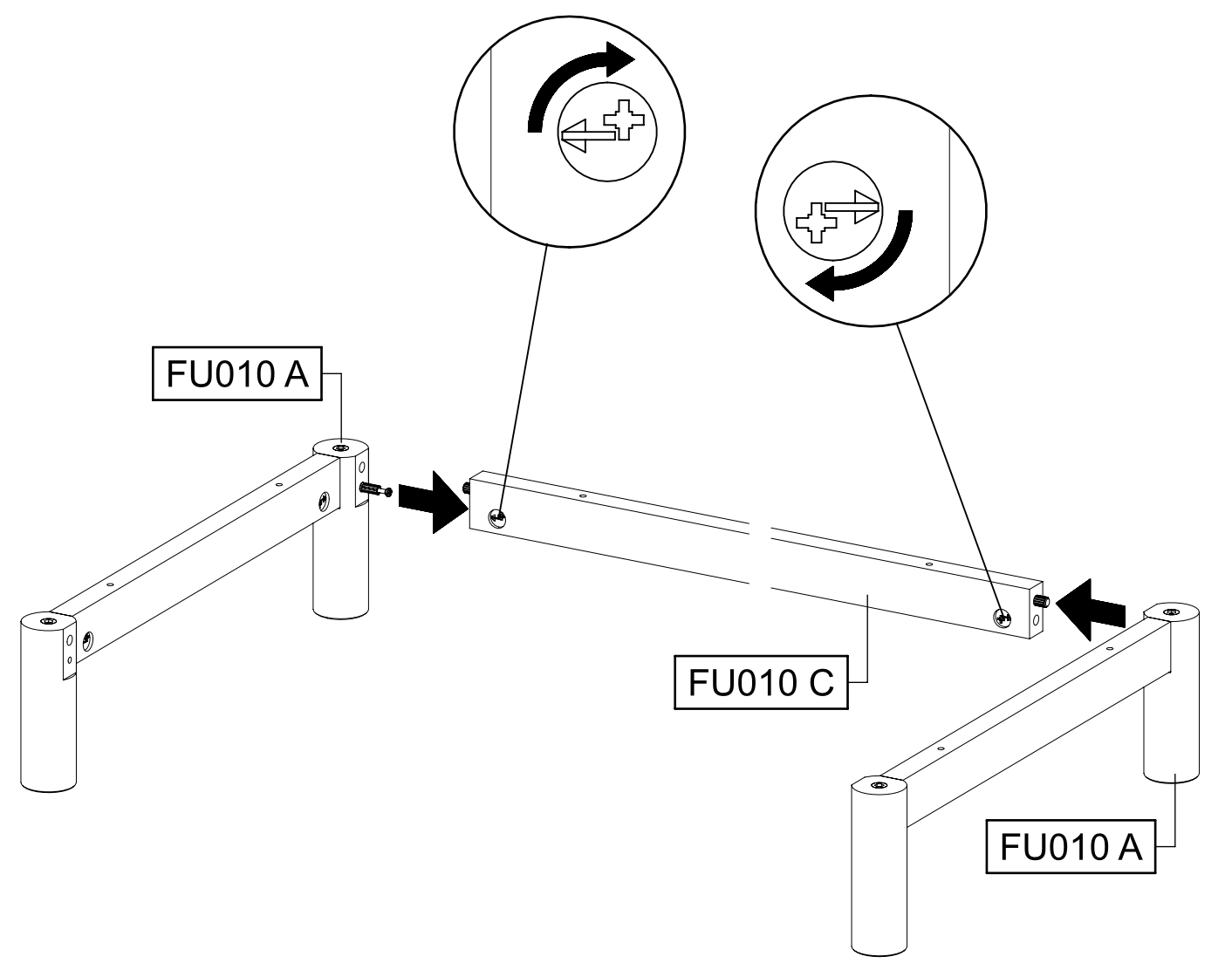
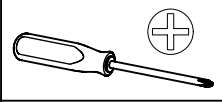
349



4



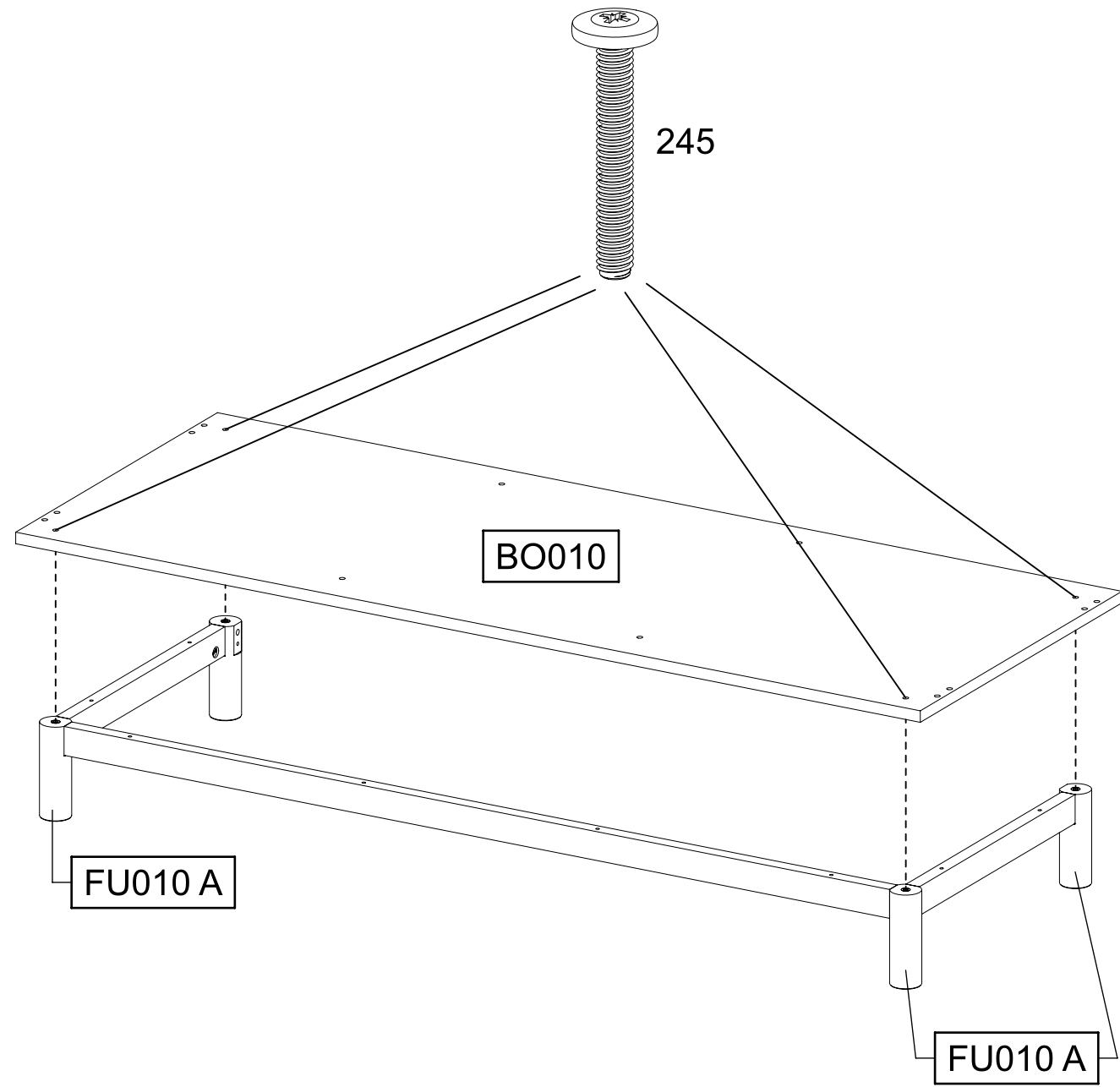
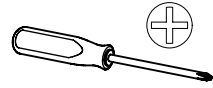
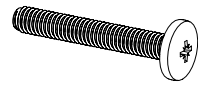
5



6

4x (245)

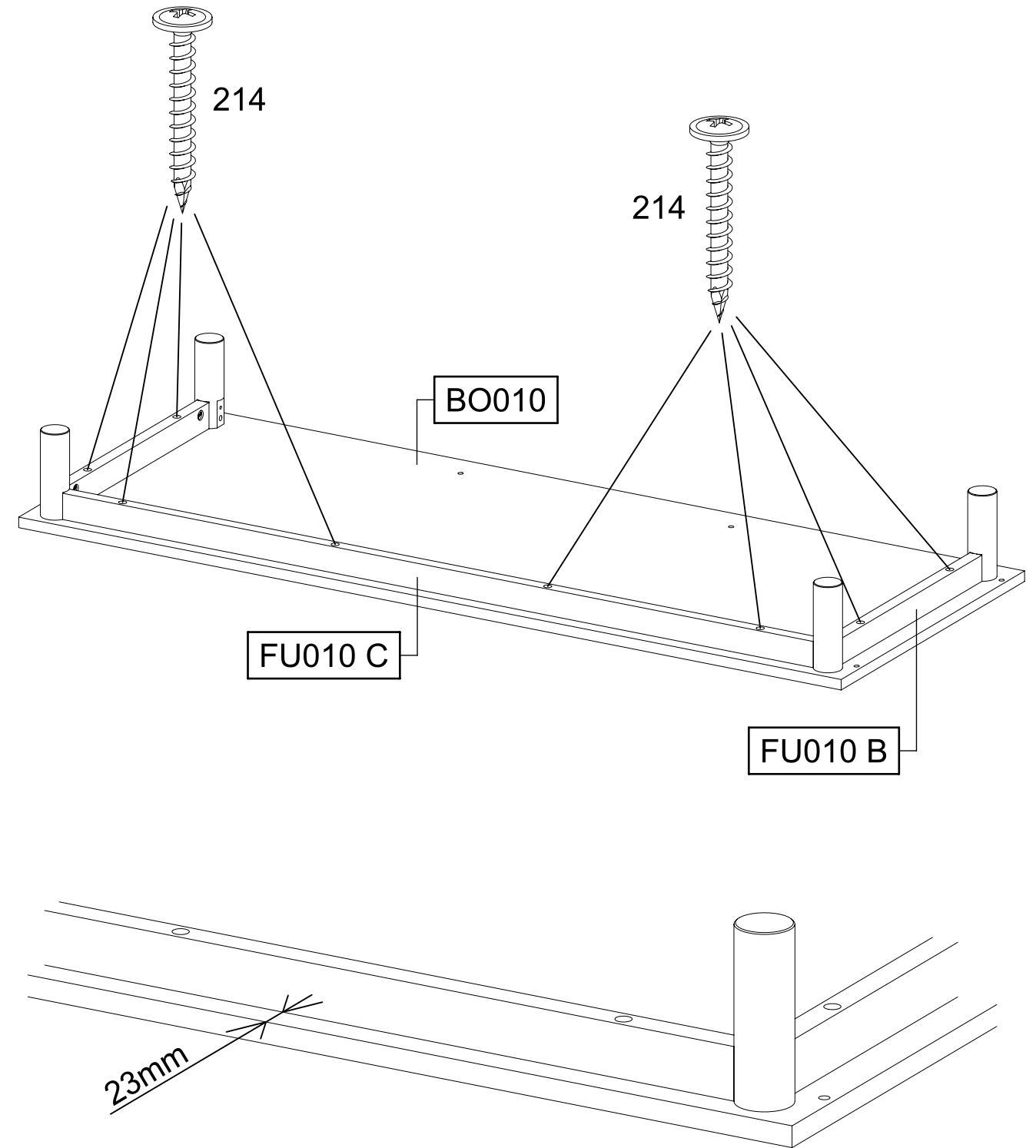
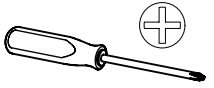
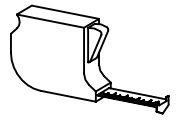
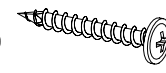
M6x40



7

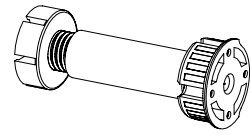
8x (214)

4,5x35

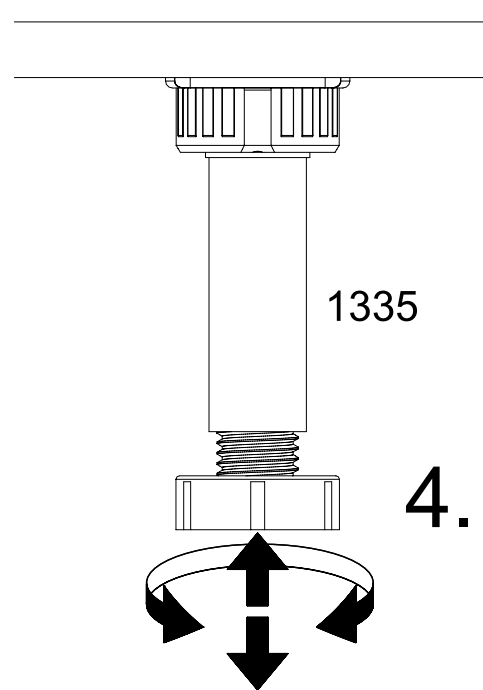
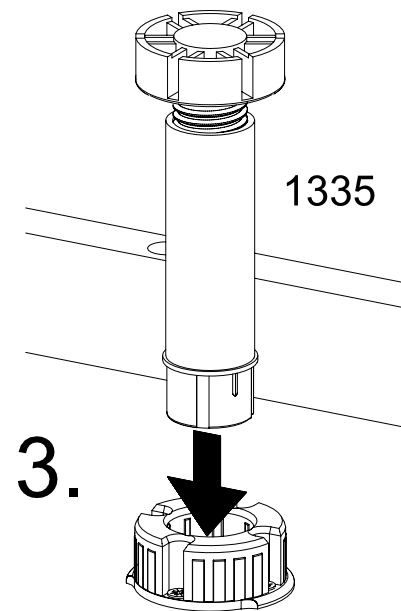
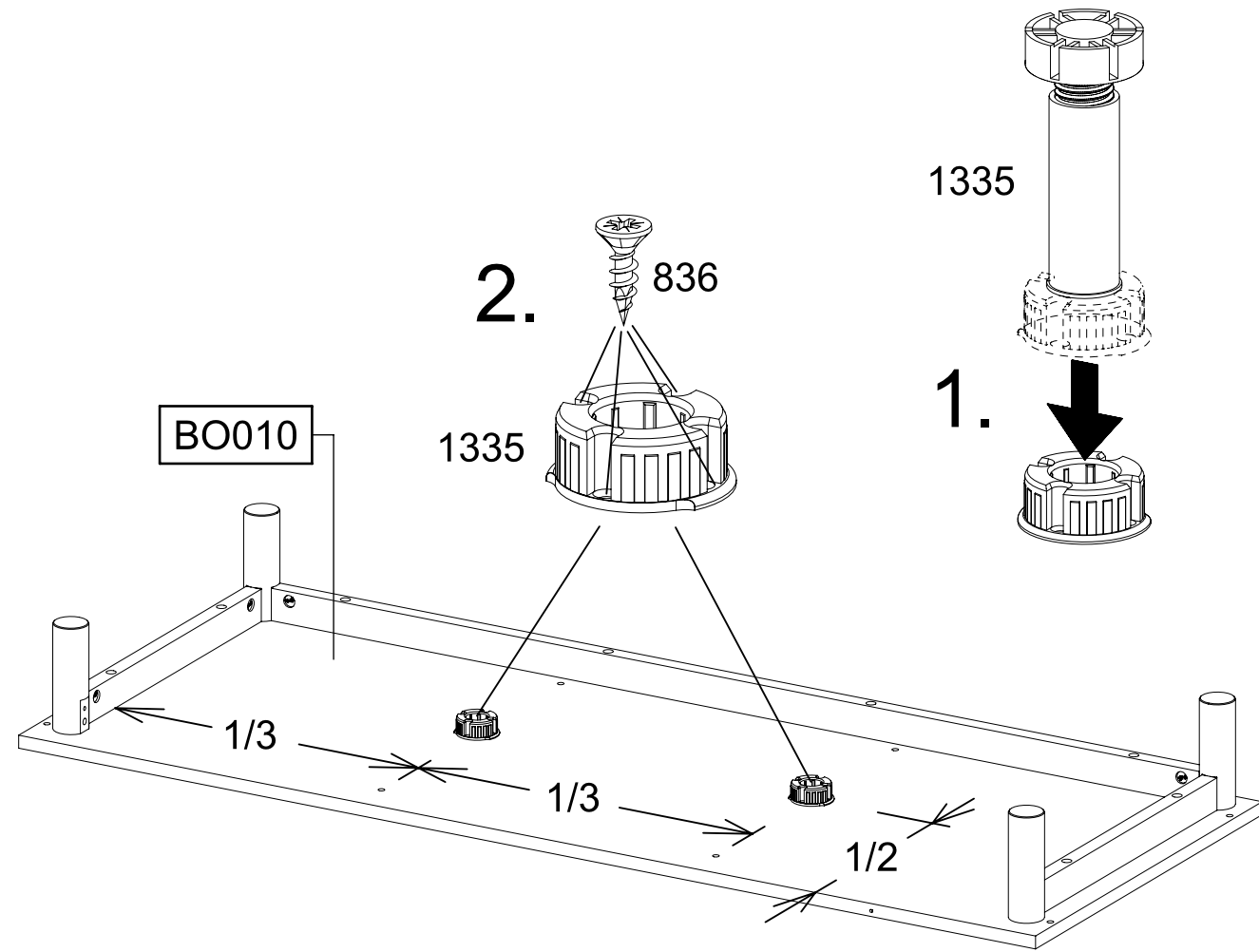
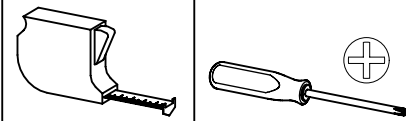


8

2x 1335

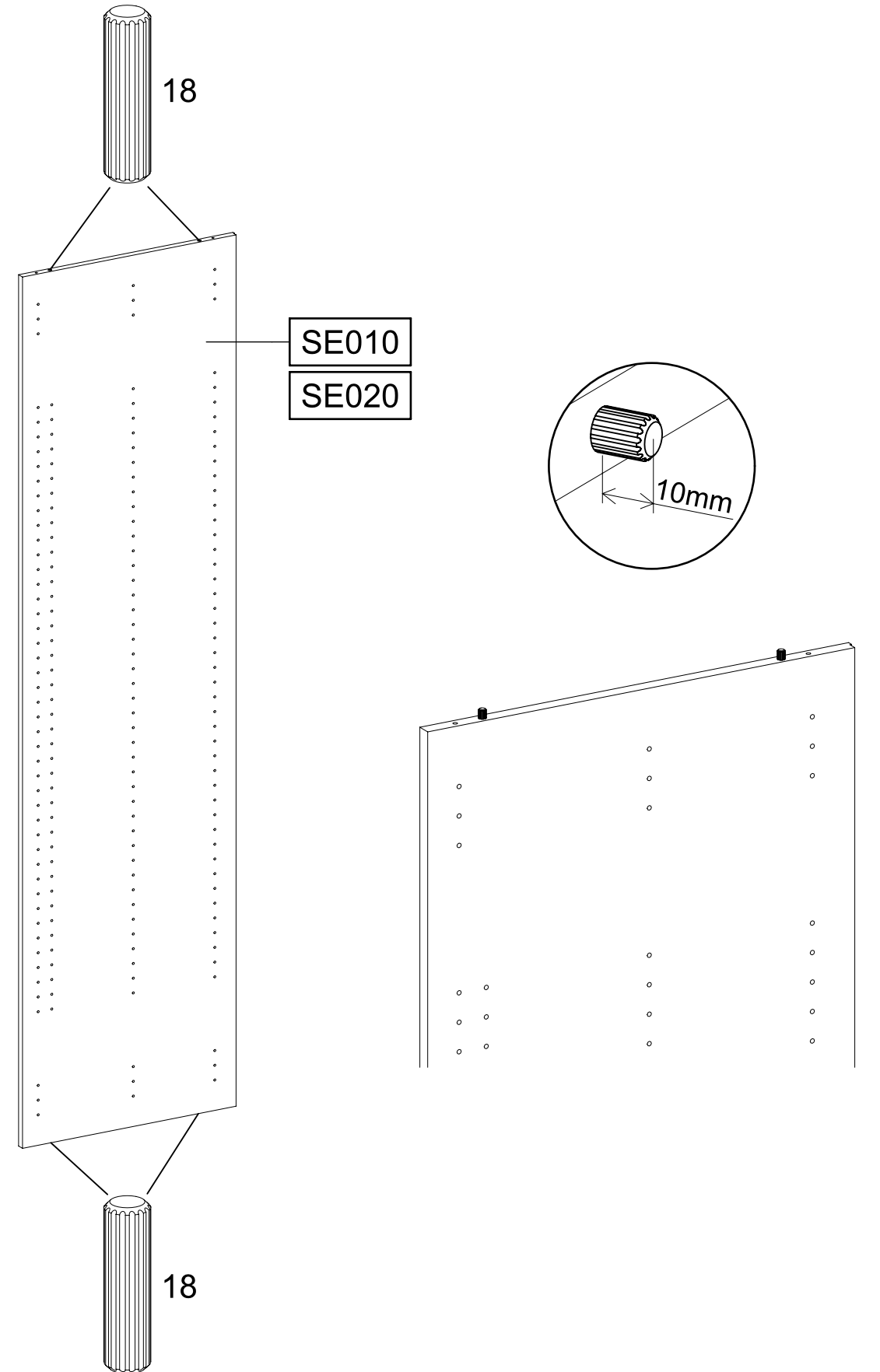
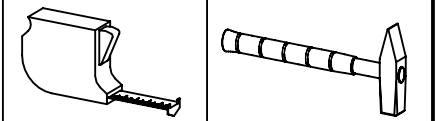
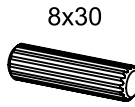


8x 836

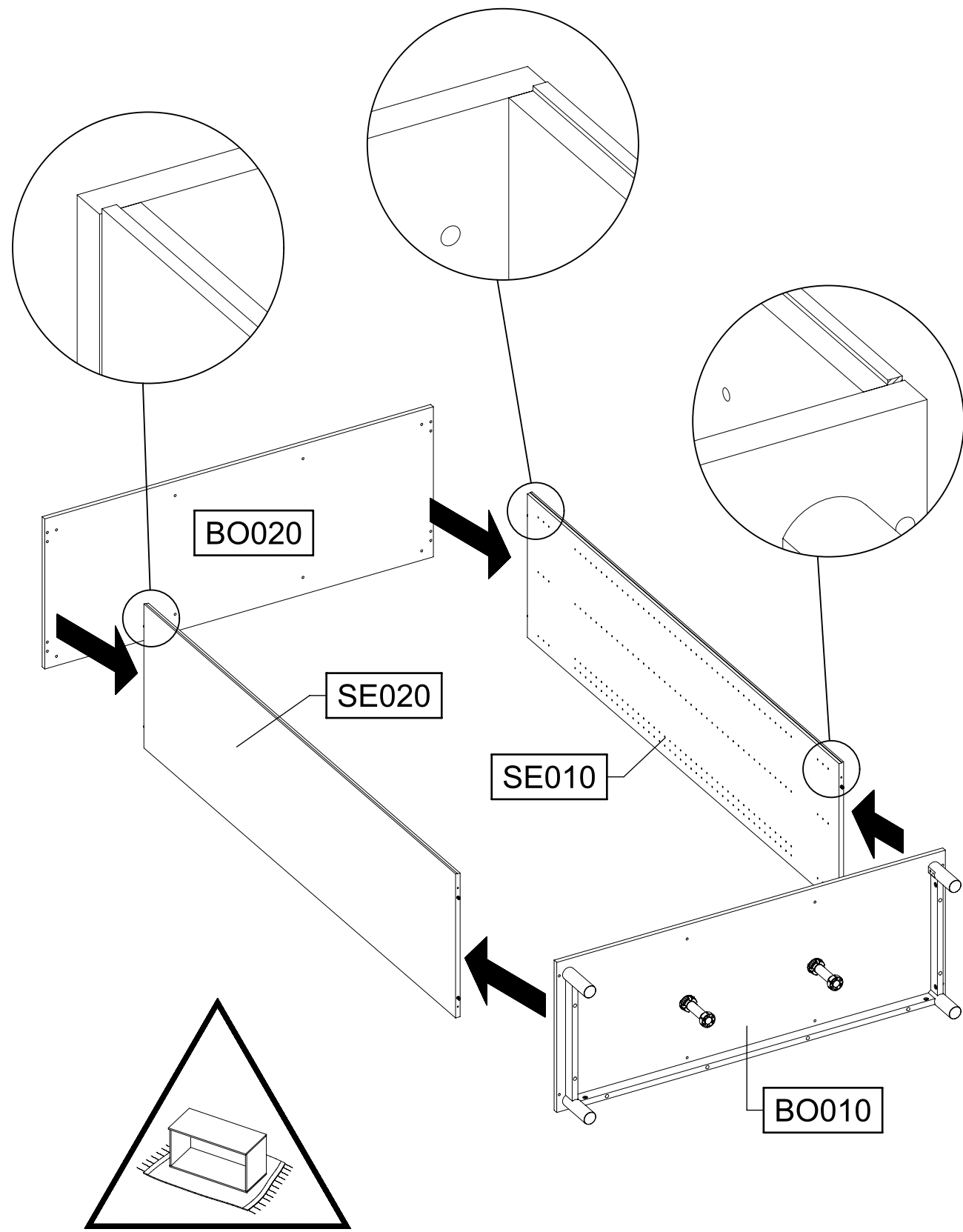


9

8x 18



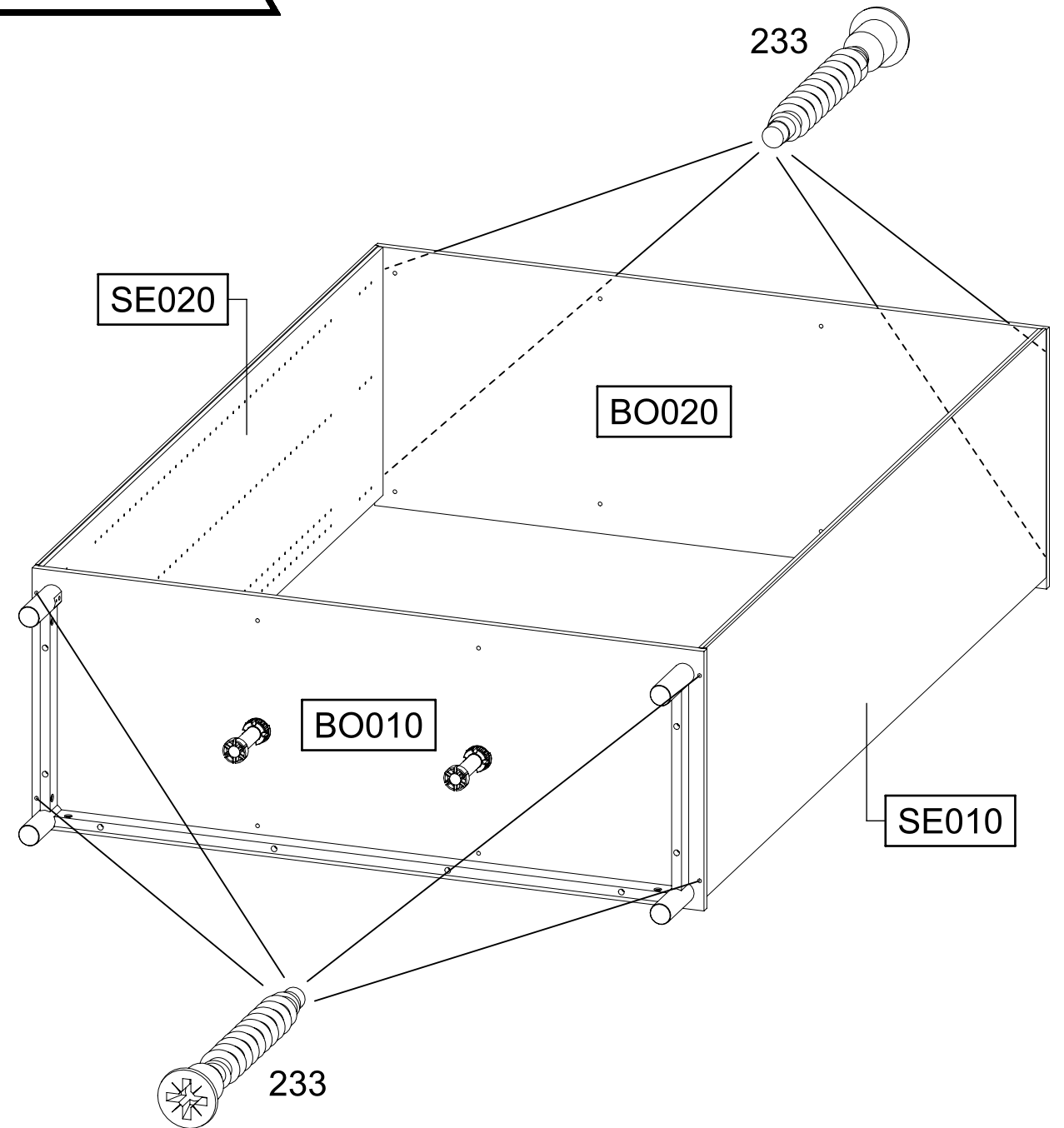
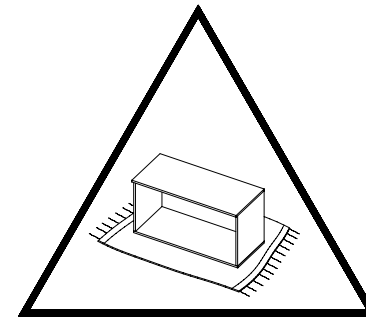
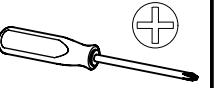
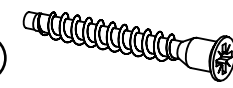
10



11

8x 233

6,3x50

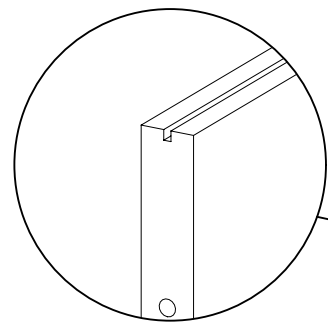
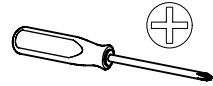
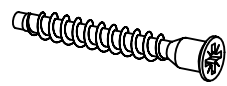


12

4x

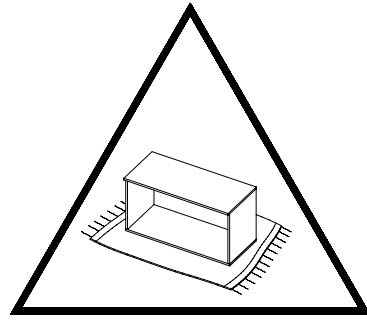
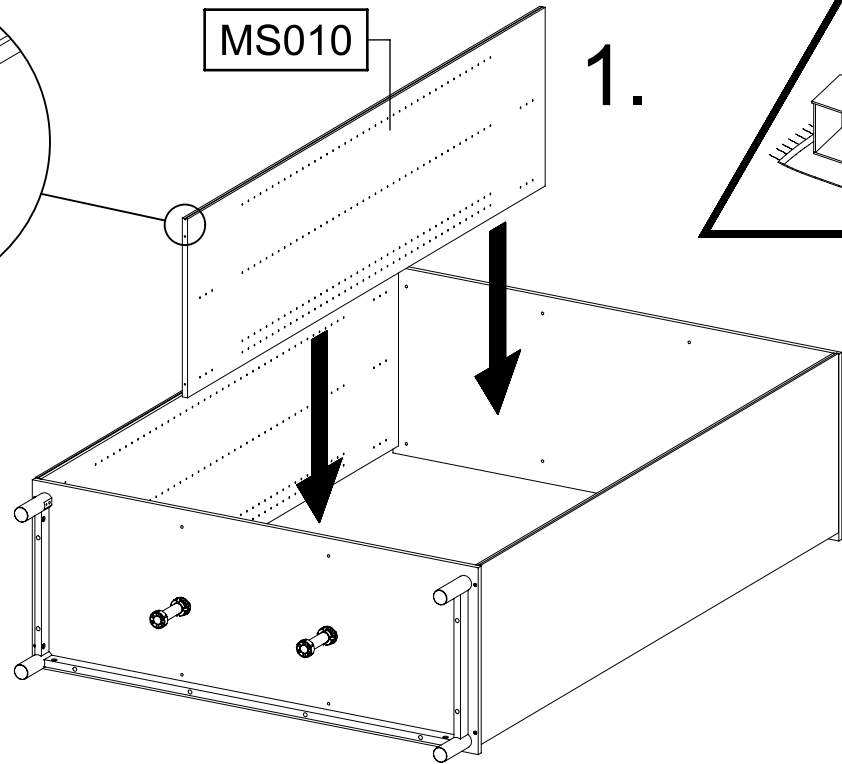
233

6,3x50



MS010

1.



2.

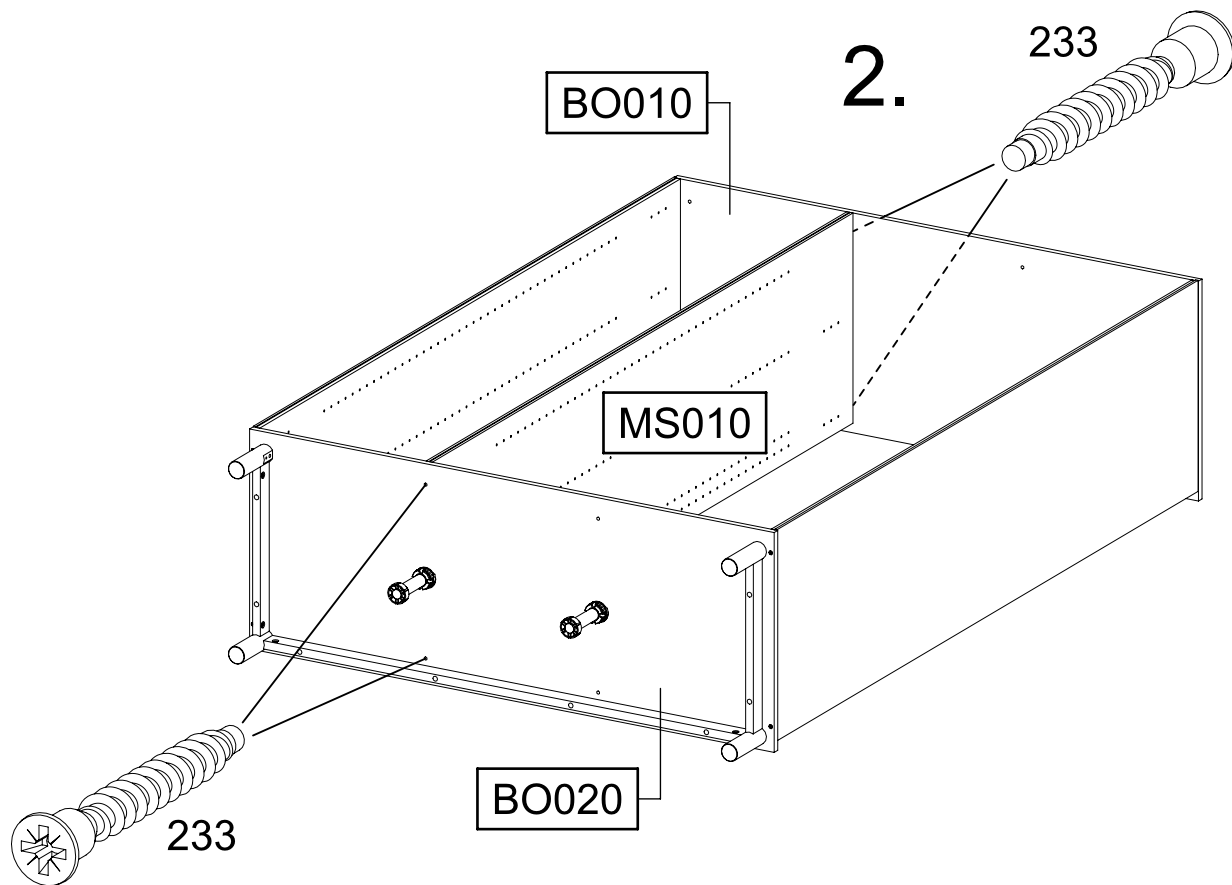
BO010

233

MS010

BO020

233

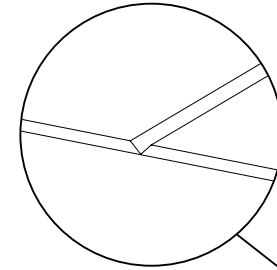
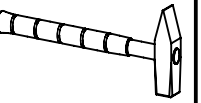


13

9x

768

1,5x25

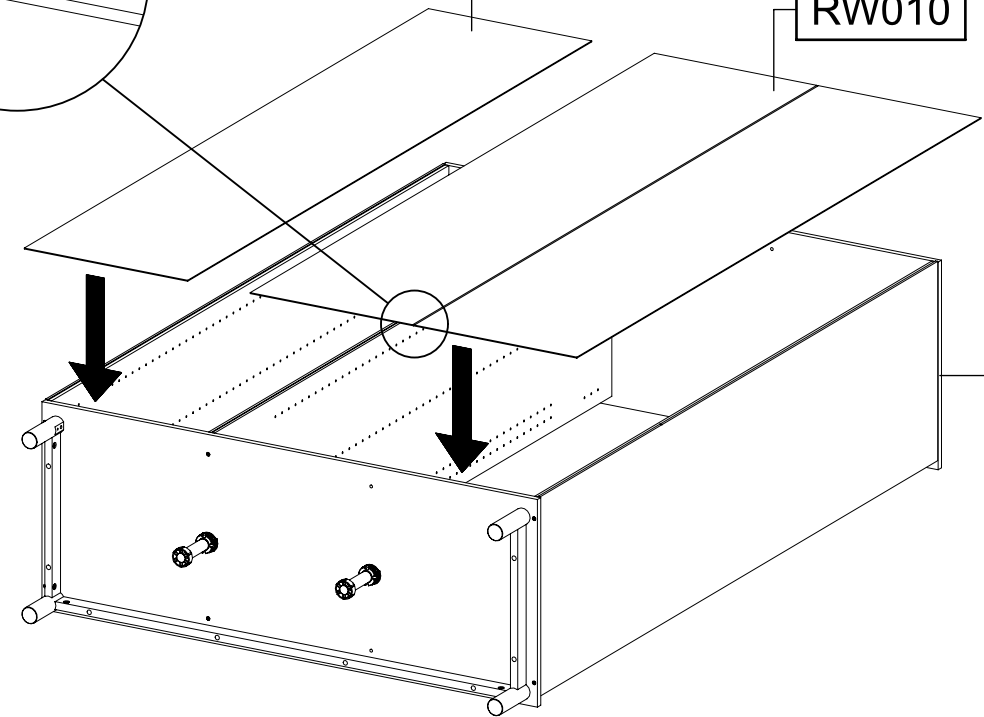


1.

RW020

RW010

BO020



2.

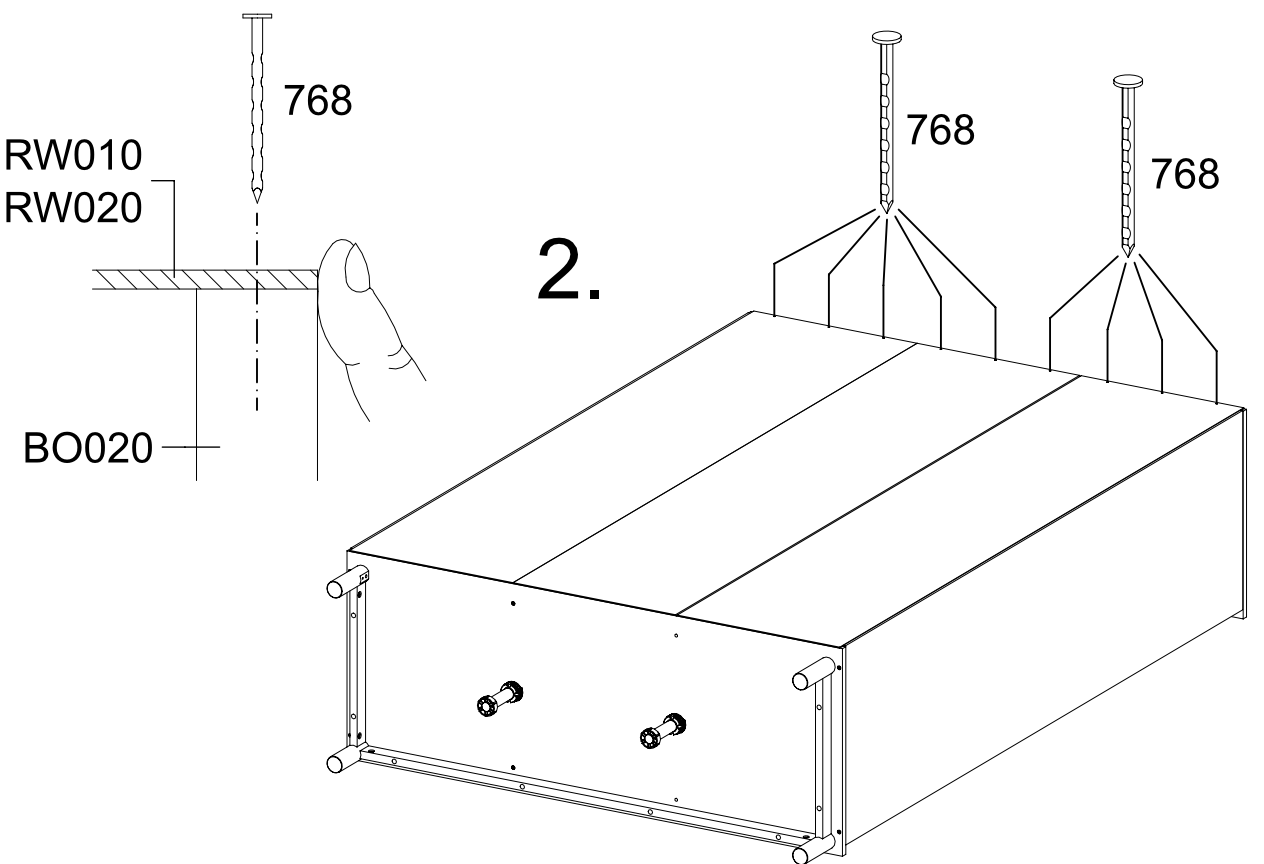
RW010
RW020

768

768

768

BO020

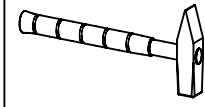
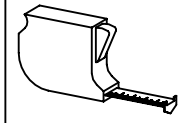


14

9x

768

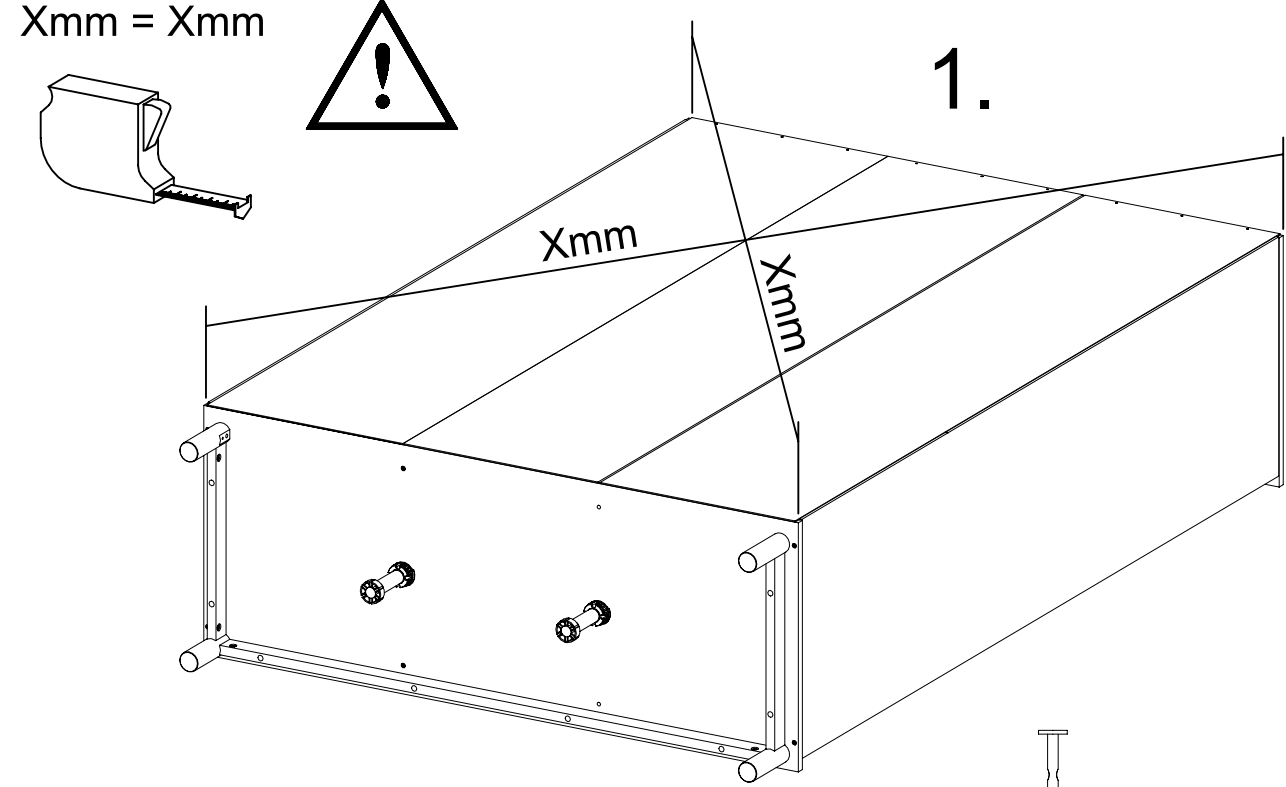
1,5x25



Xmm = Xmm

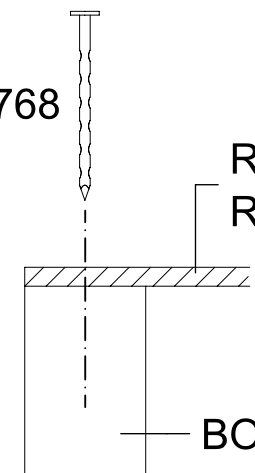


1.

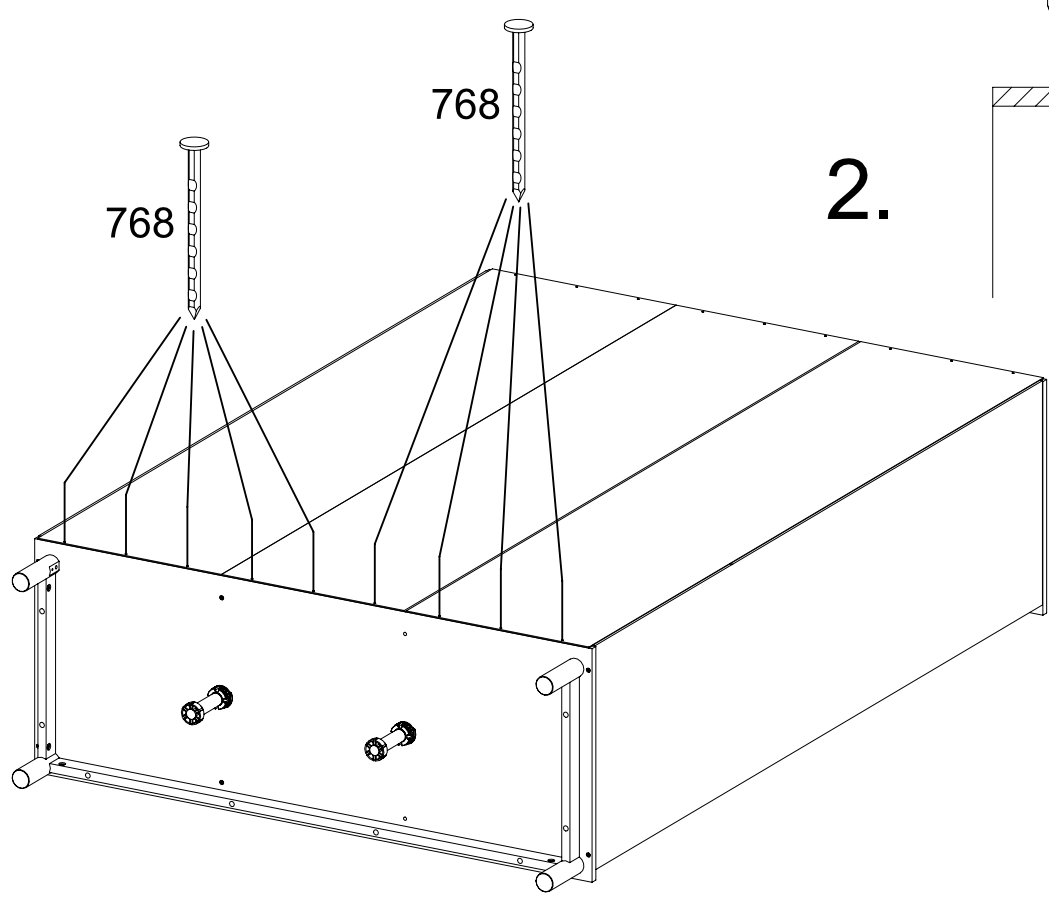


768

RW010
RW020



2.

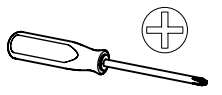


15

7x

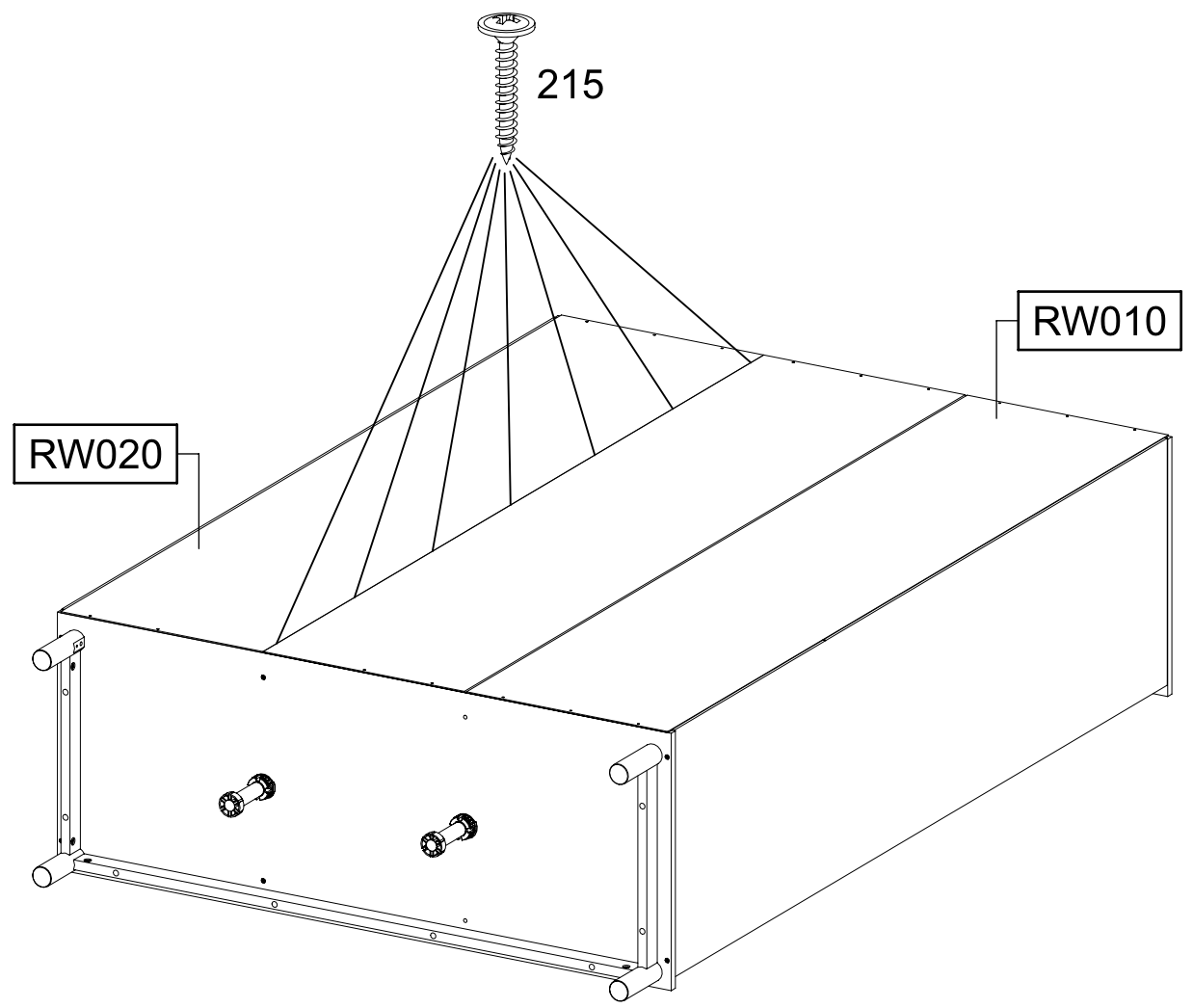
215

3x20



RW020

RW010

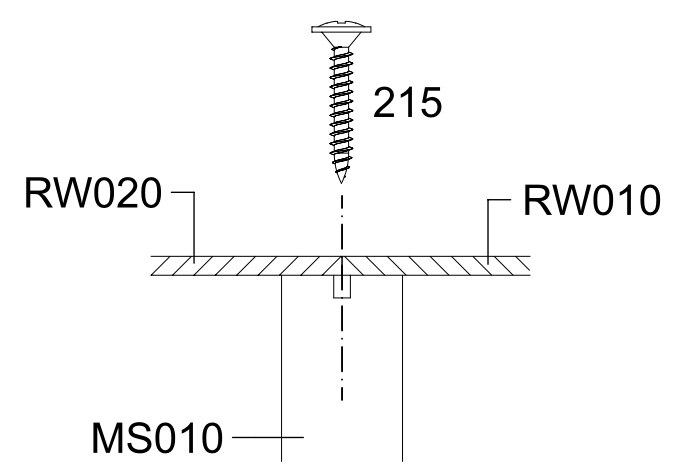


215

RW020

RW010

MS010



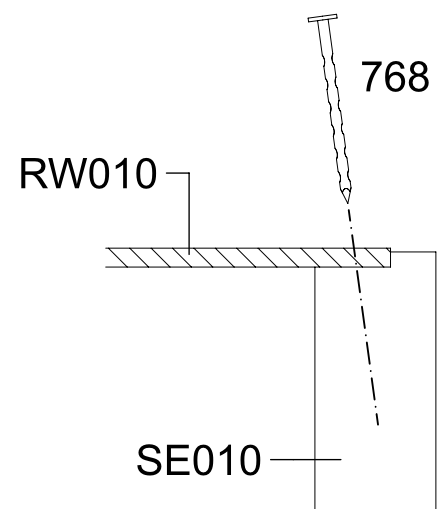
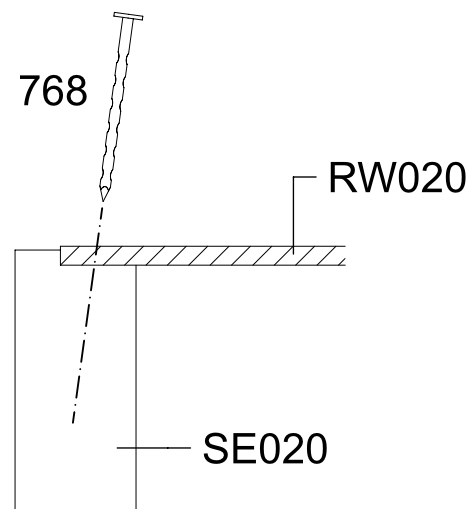
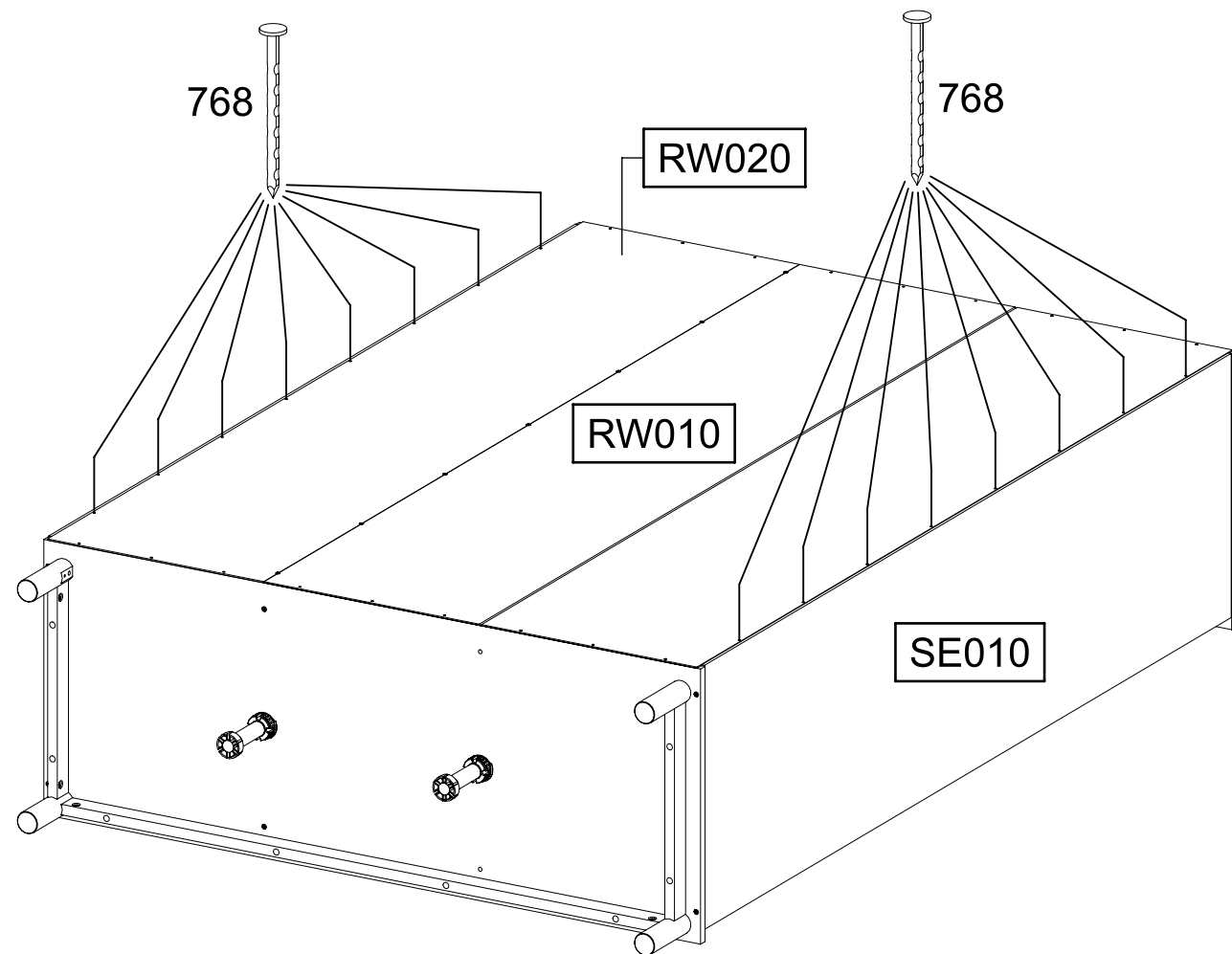
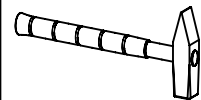
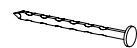
215

16

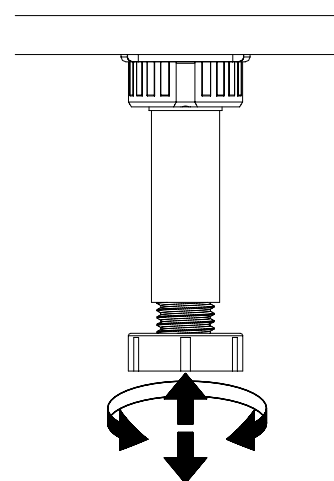
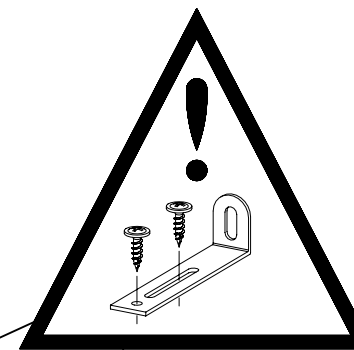
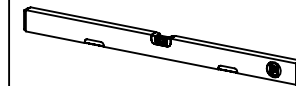
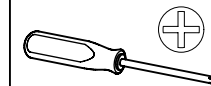
16x

768

1,5x25



17

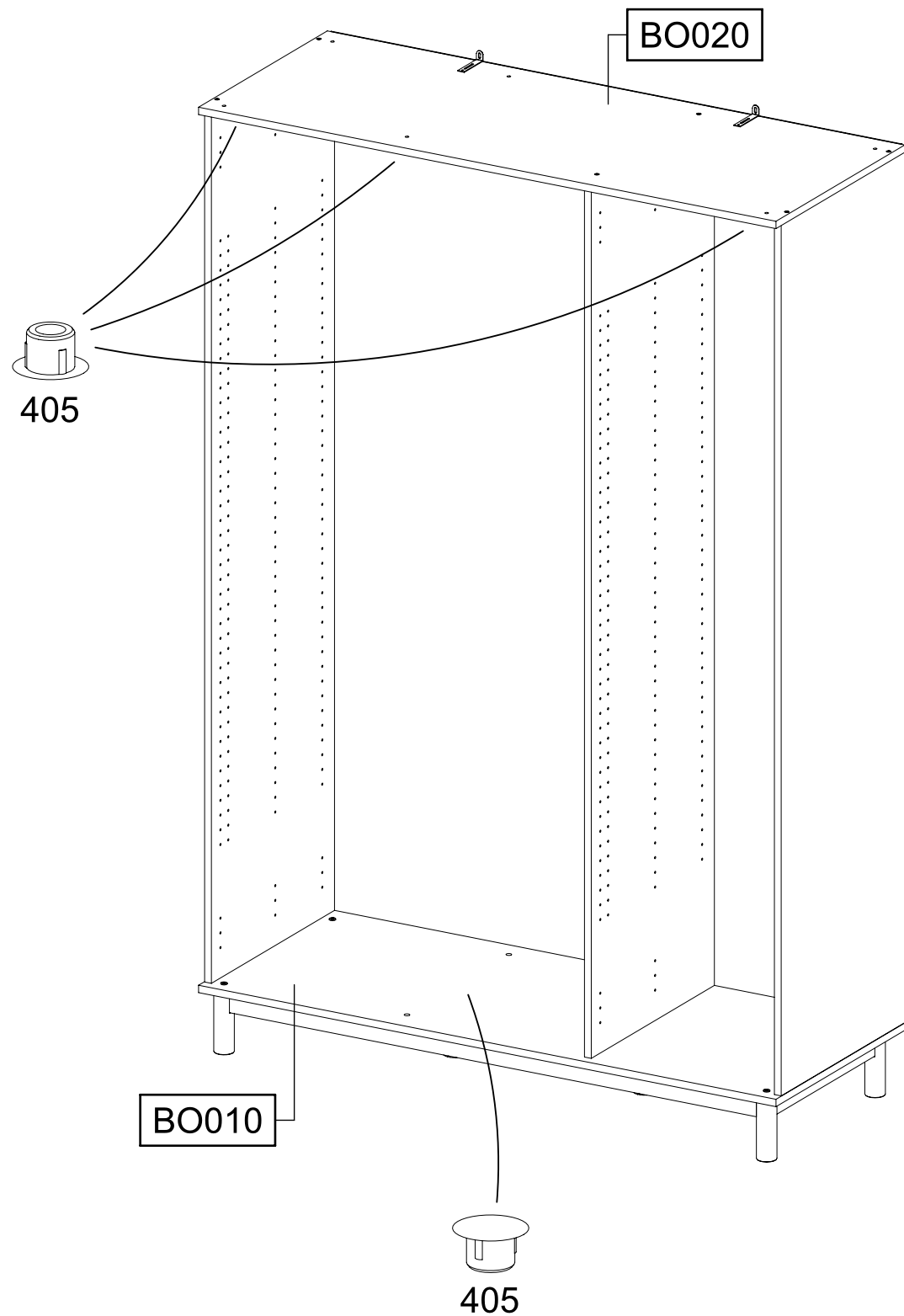


18

8x

405

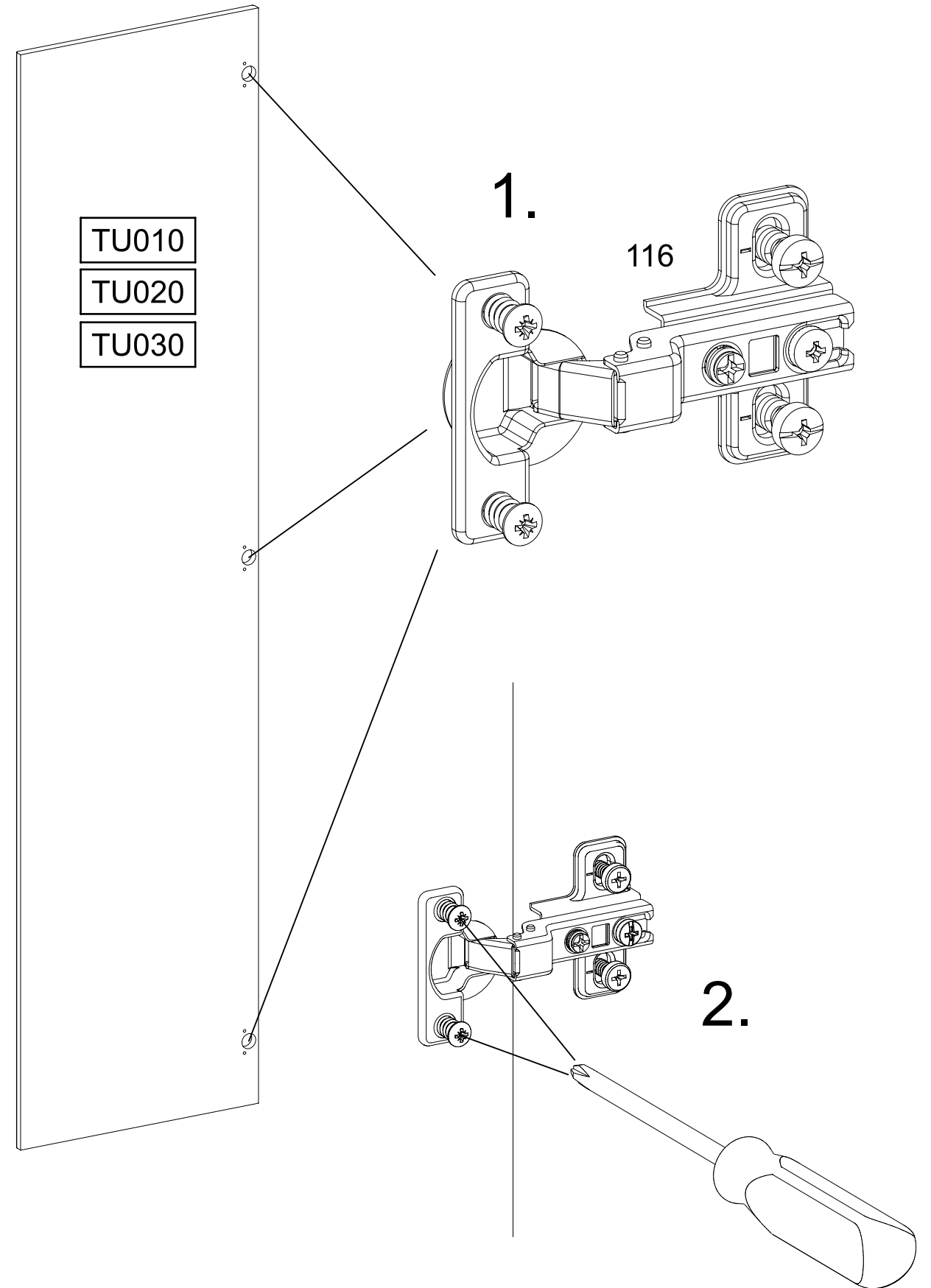
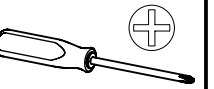
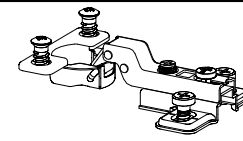
Ø8



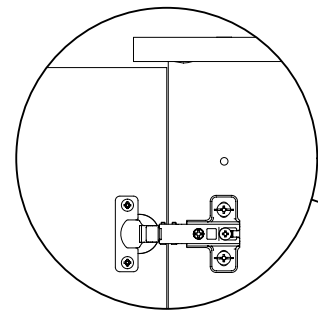
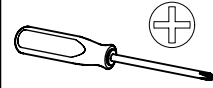
19

9x

116



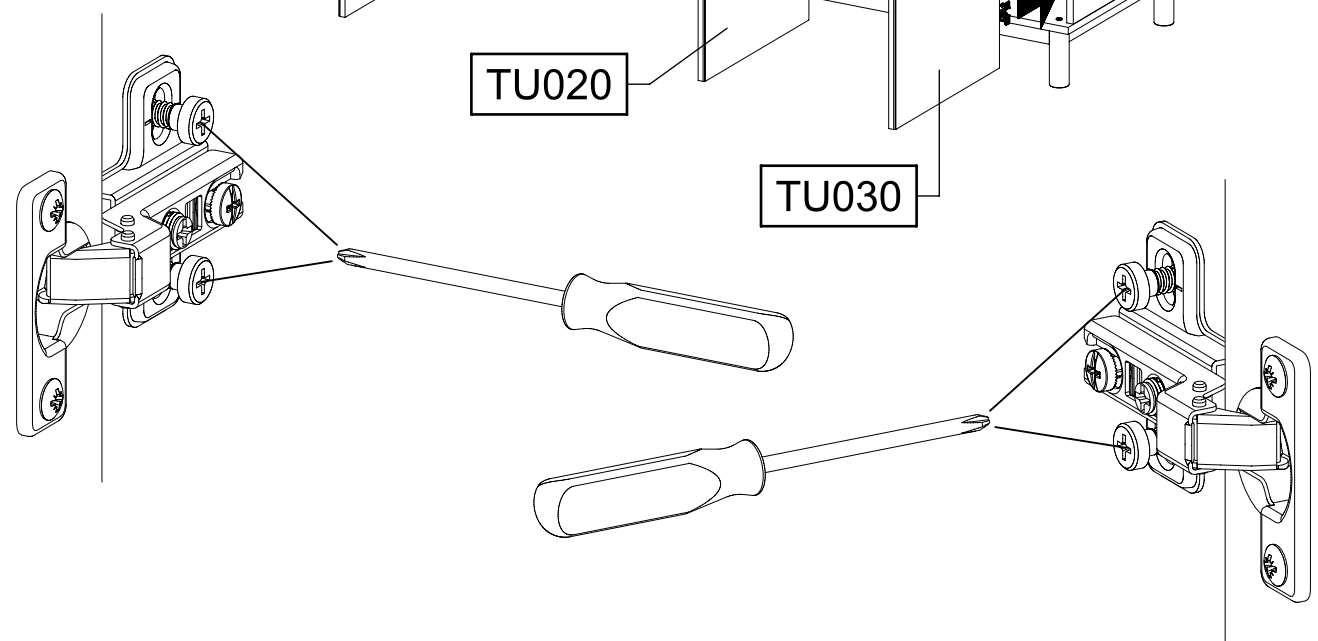
20



TU010

TU020

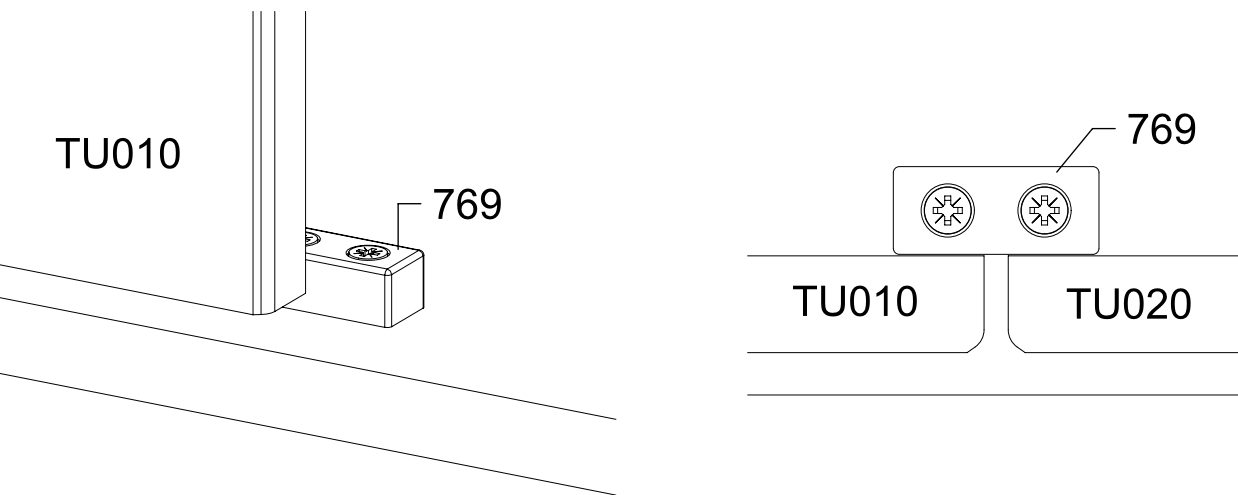
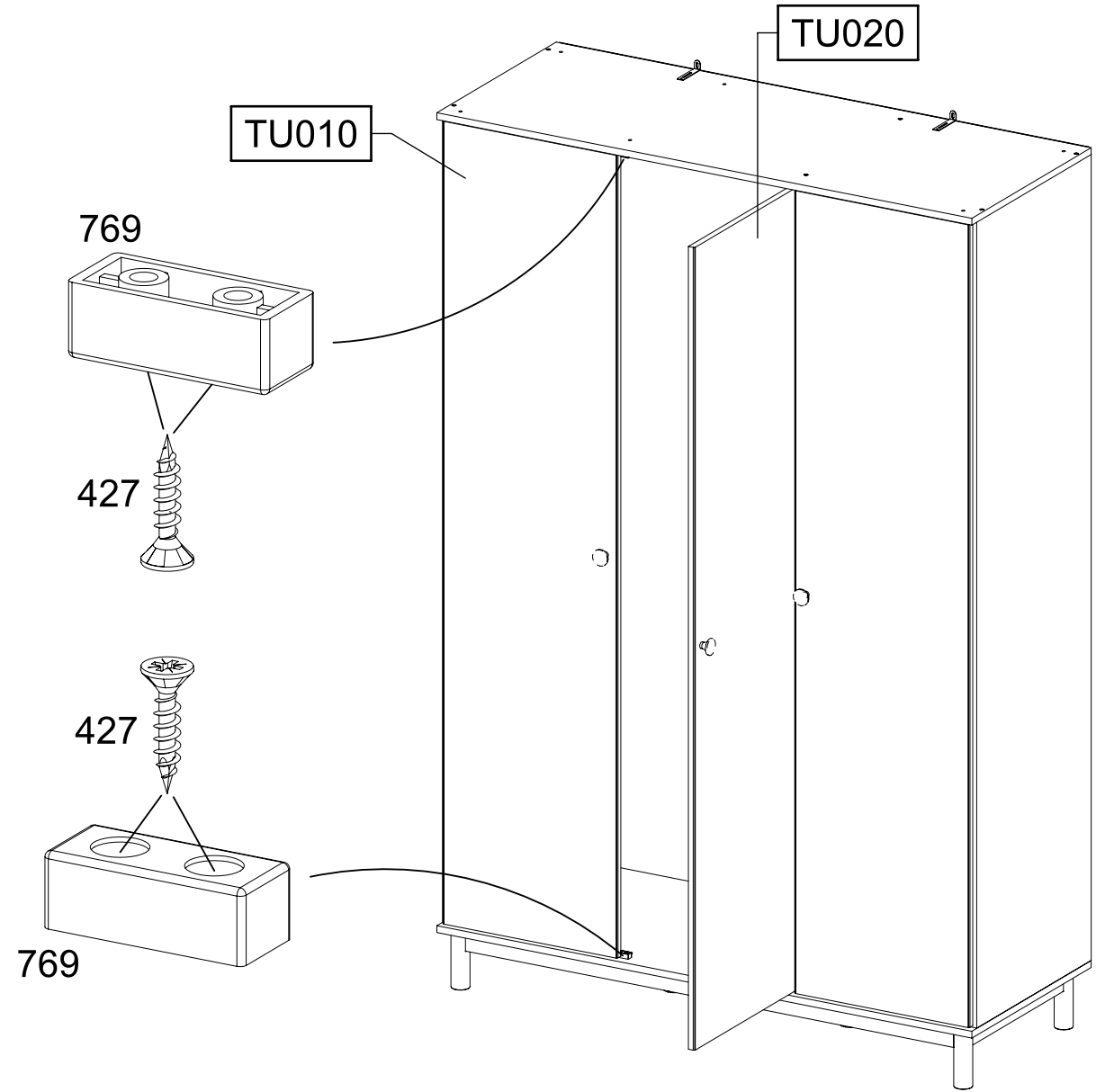
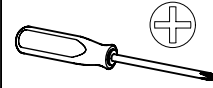
TU030



21

4x 427 

2x 769  34x14,5x12



22

