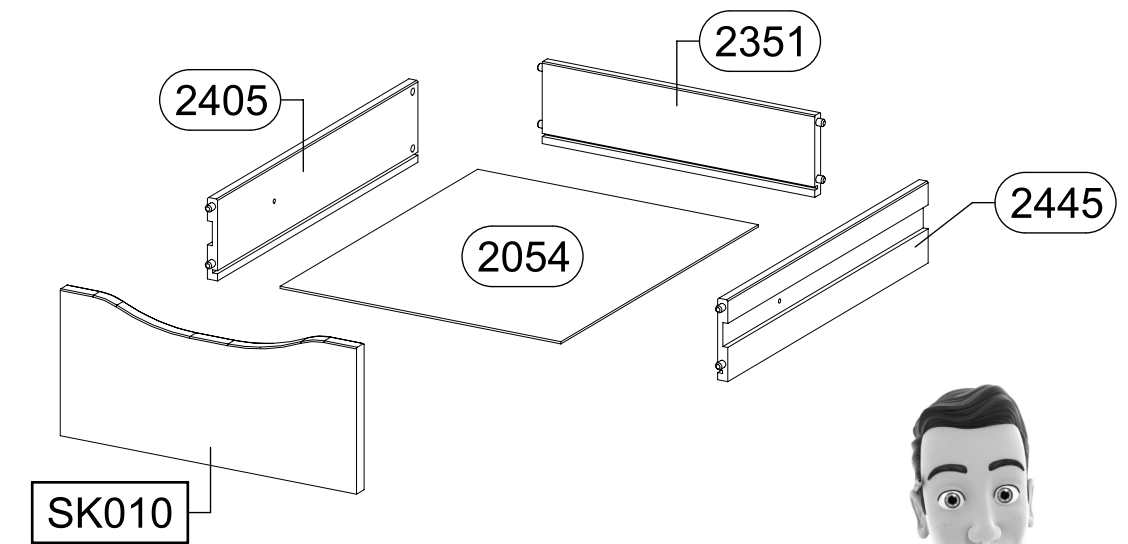
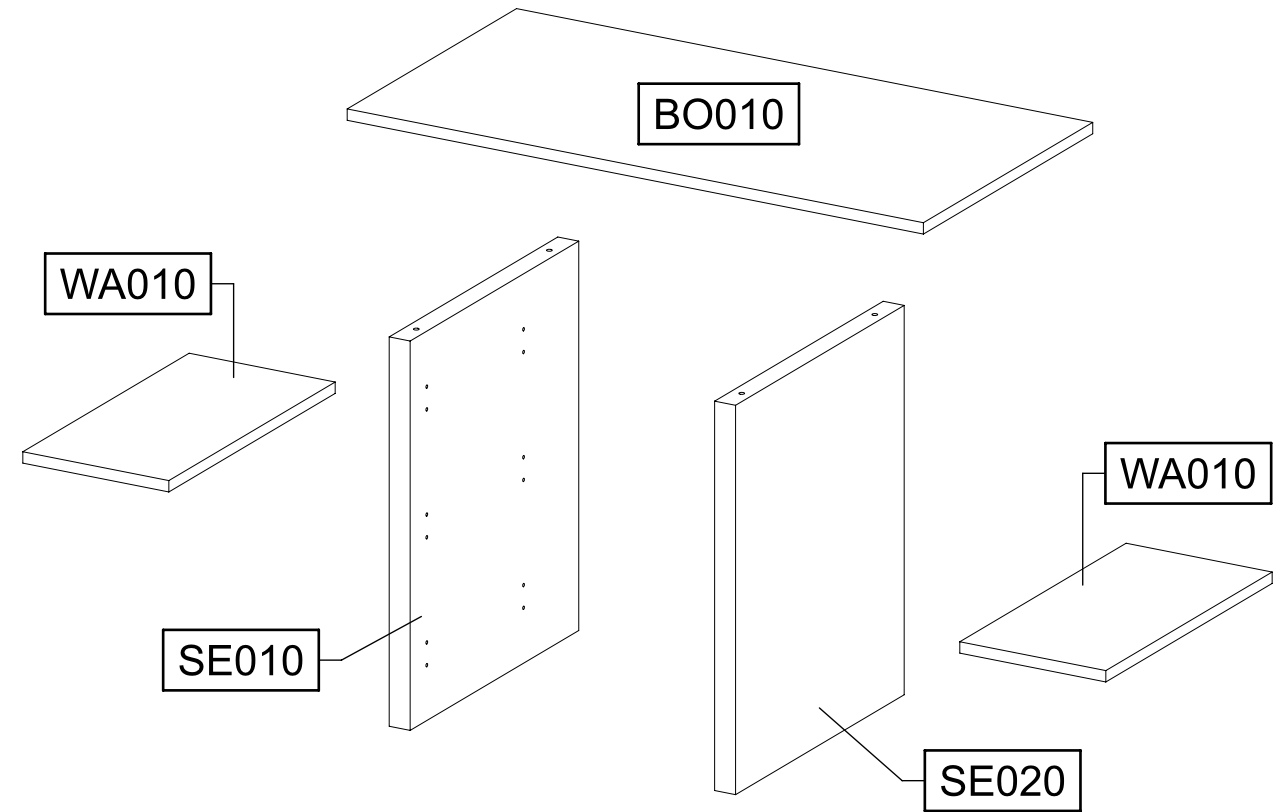
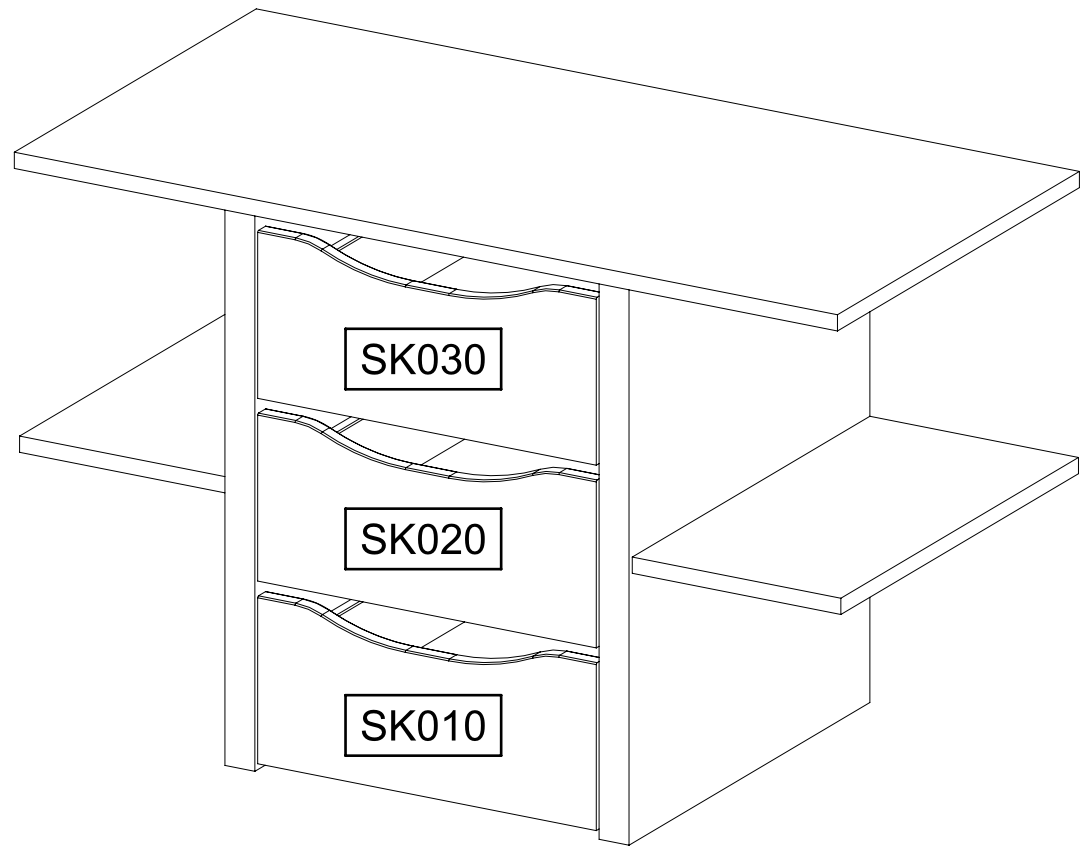
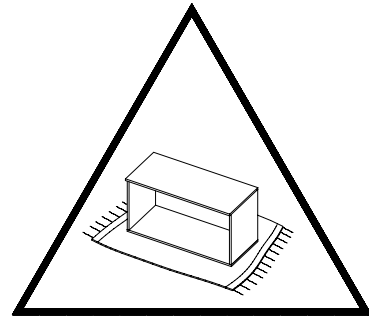
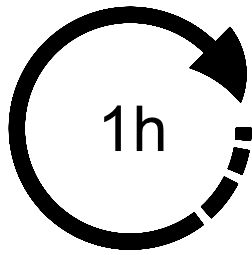
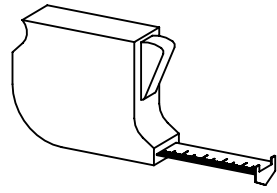
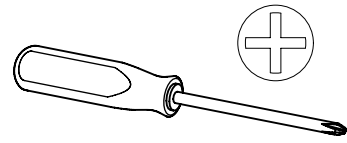
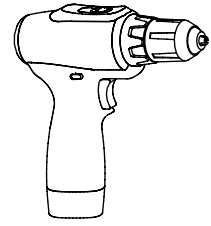
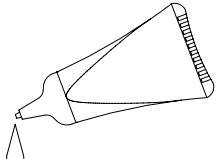
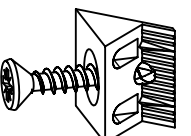
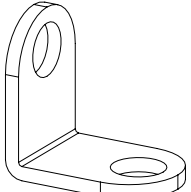
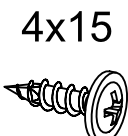

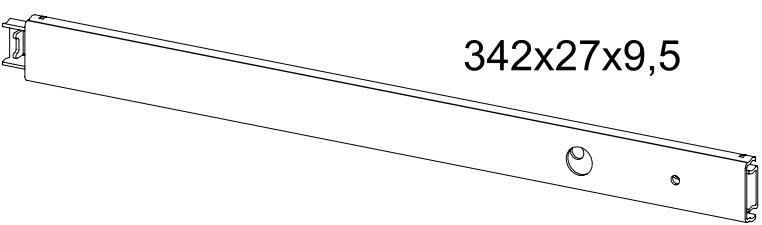
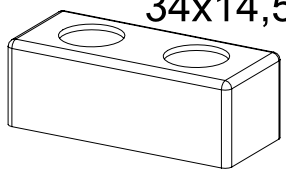

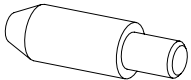
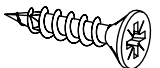
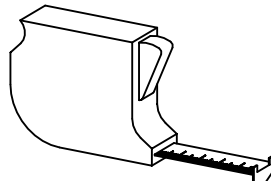
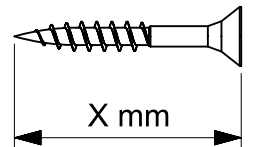
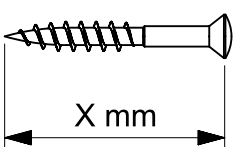
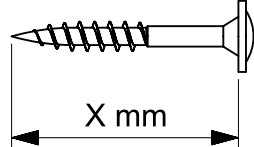


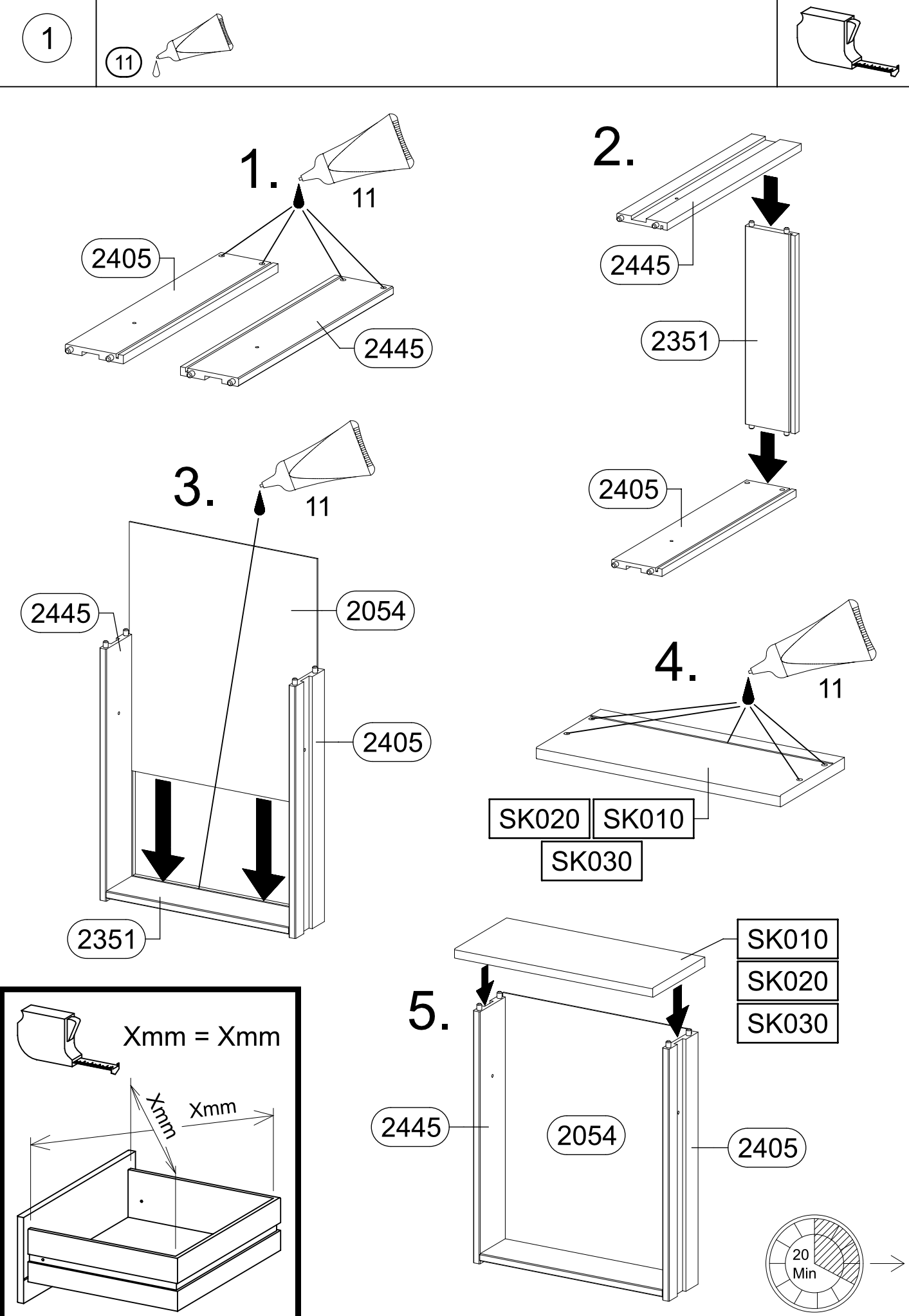
M1423_08

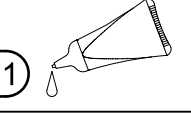
rauch

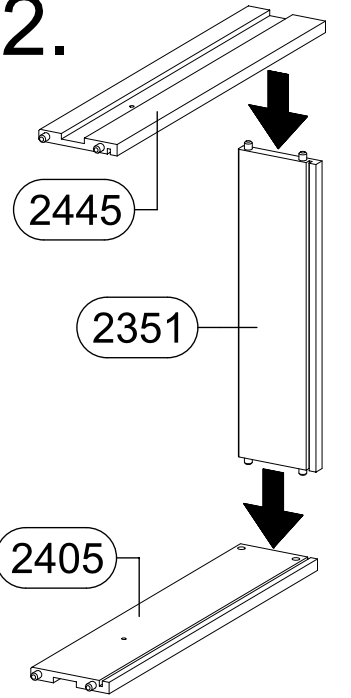


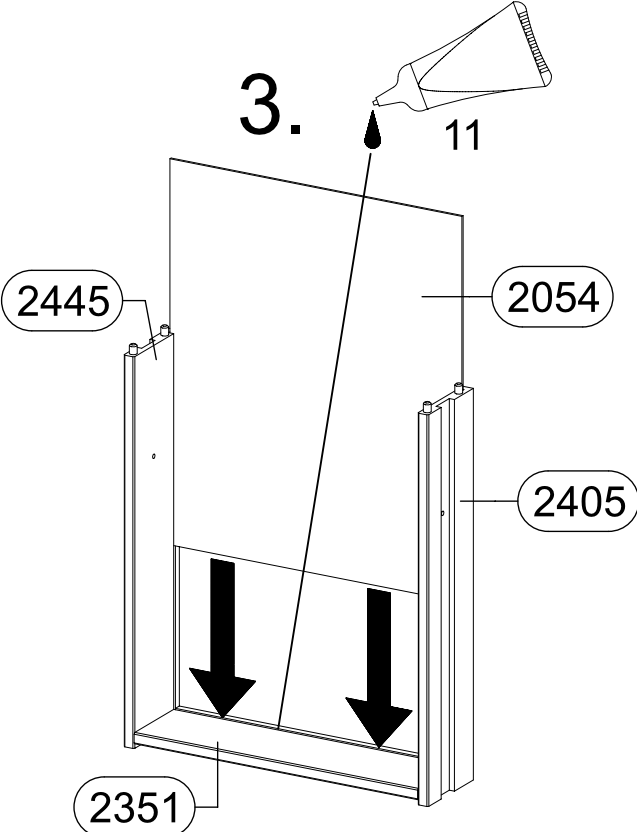
SK010 = SK020 = SK030

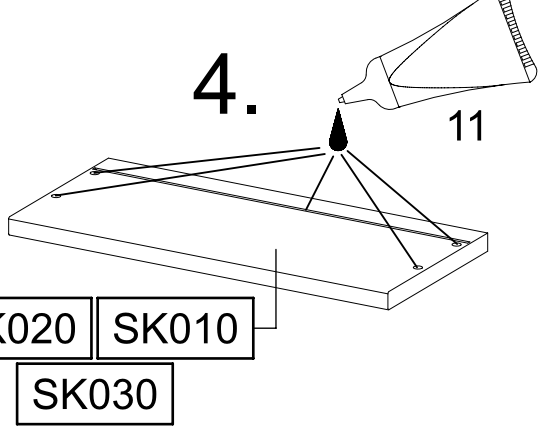
<p>11 </p>	<p>2x </p>	<p>4x </p>	<p>8x  4x15</p>
<p>12x  6x10,5</p>	<p>6x  342x27x9,5</p>		
<p>8x  34x14,5x12</p>	<p>6x  M4x9</p>	<p>4x  807</p>	
<p>16x  4x20</p>			
  X mm  X mm  X mm			

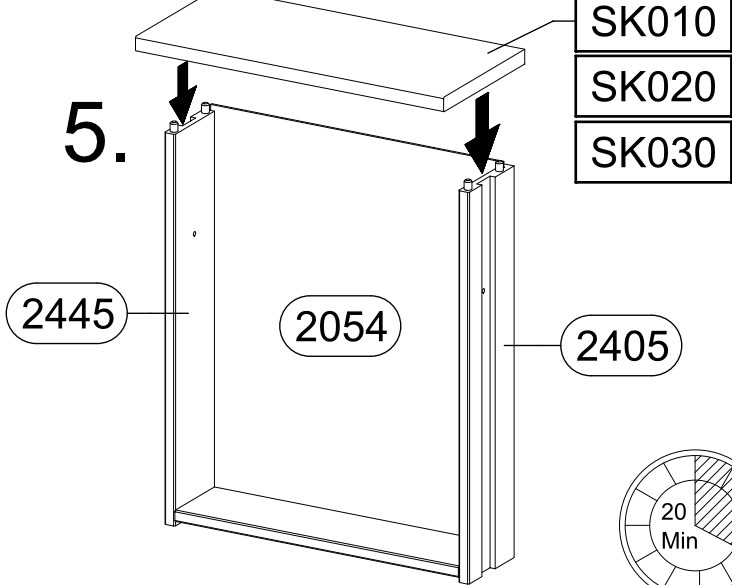


1.  11

2. 

3. 

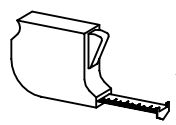

4.  11

5. 

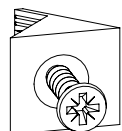
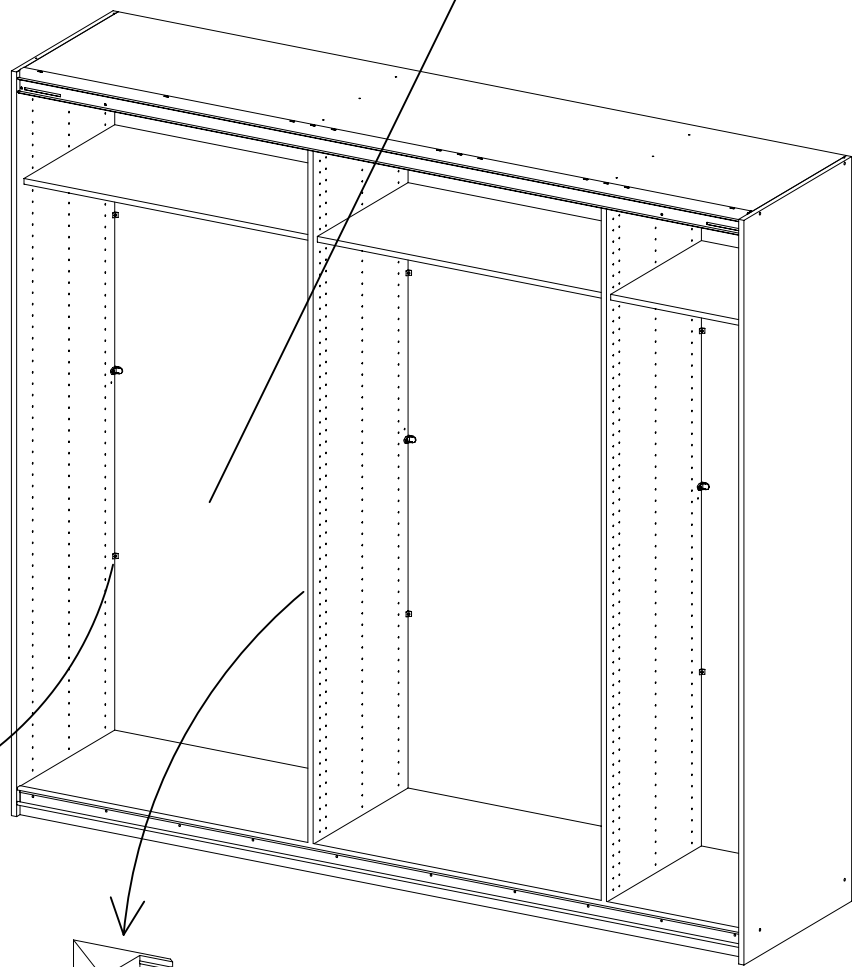
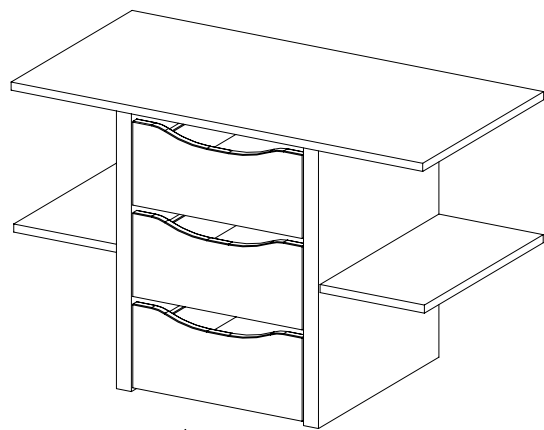
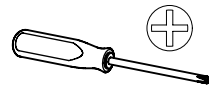
SK020 SK010
SK030

SK010
SK020
SK030

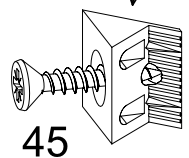
20 Min

 Xmm = Xmm
 Xmm Xmm

2



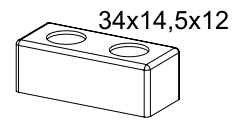
45



45

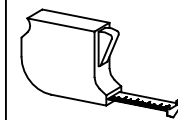
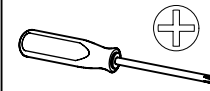
3

2x 769

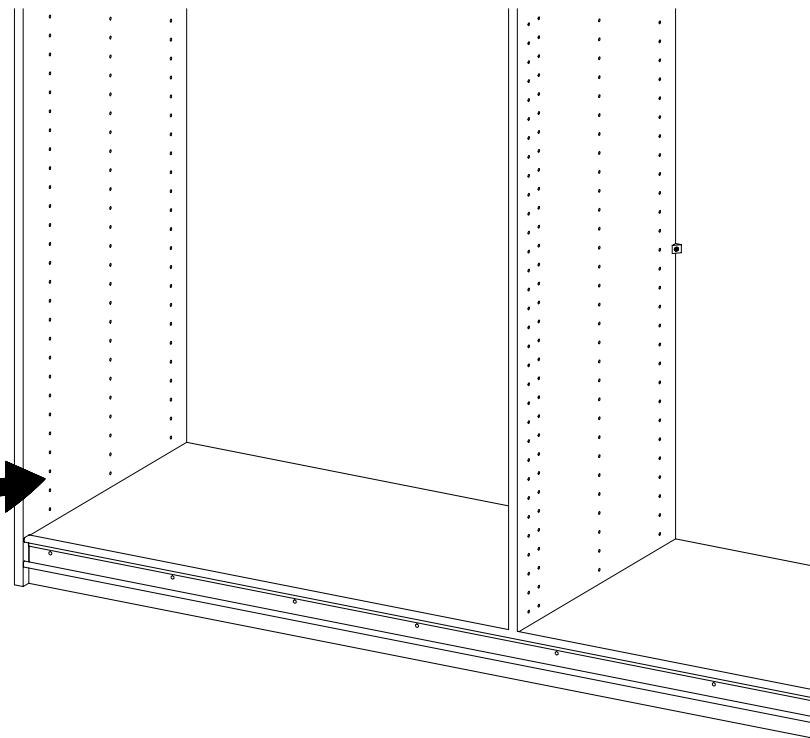
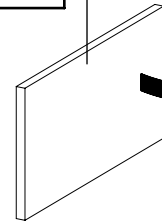


4x 201

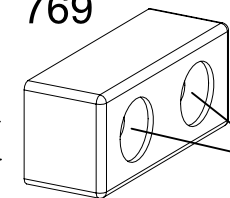
4x15



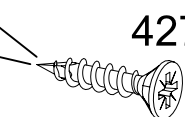
KO010



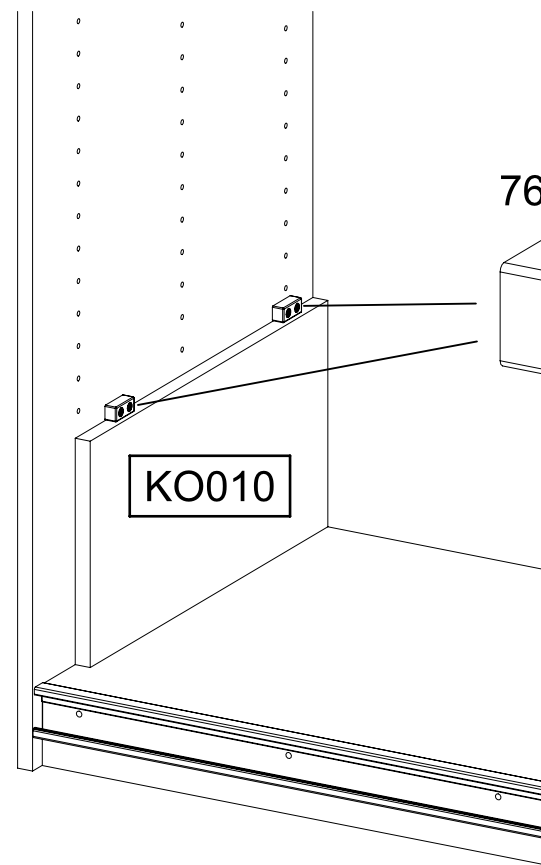
769



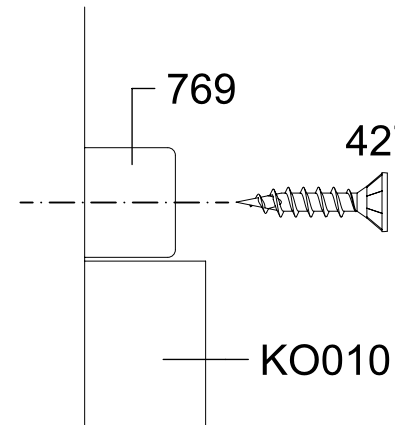
427



KO010



769



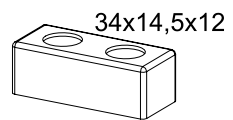
427

KO010

4

2x

769



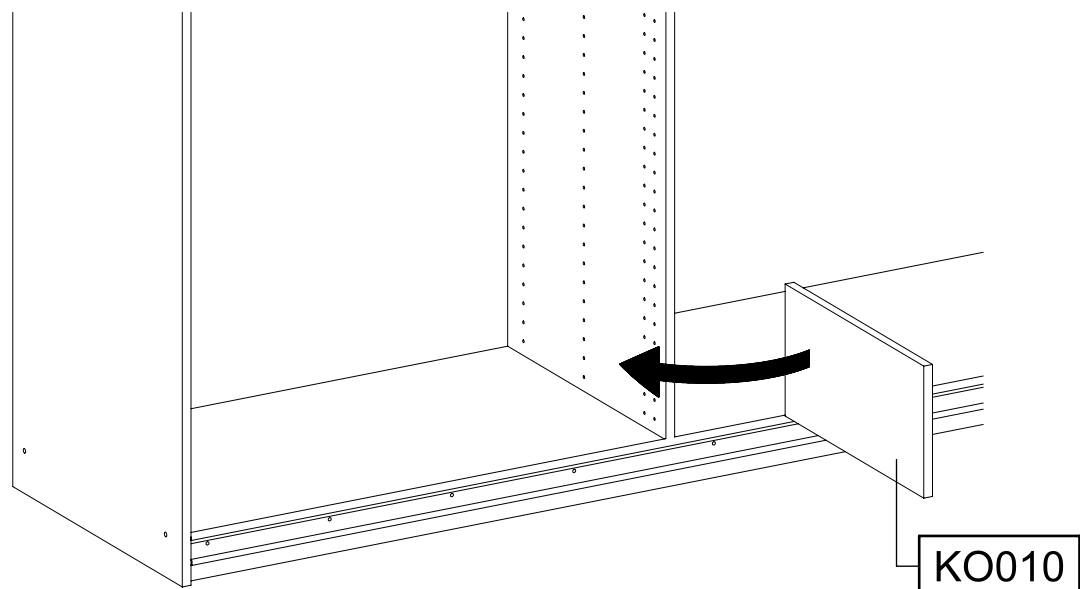
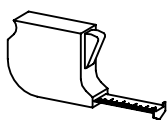
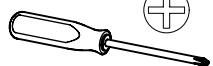
34x14,5x12

4x

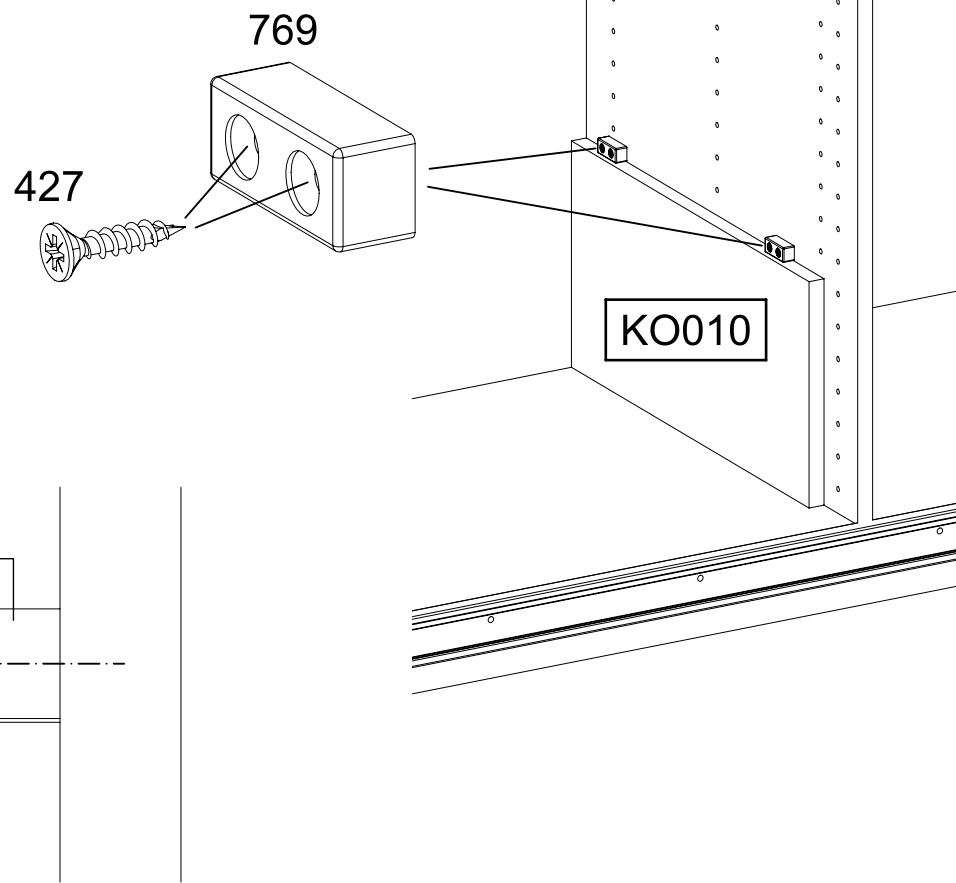
201



4x15



KO010



769

427

KO010

427

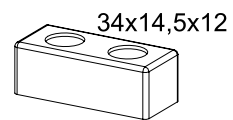
769

KO010

5

4x

769



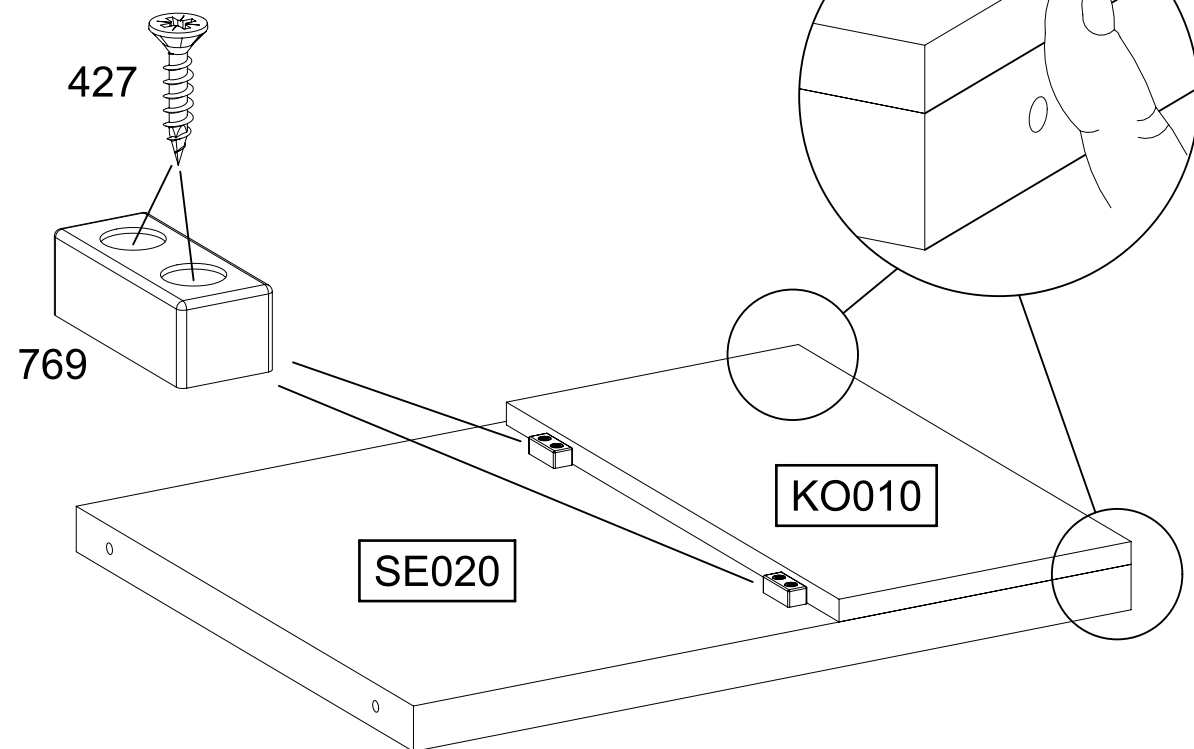
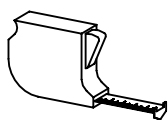
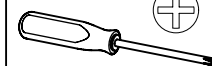
34x14,5x12

8x

427



4x20

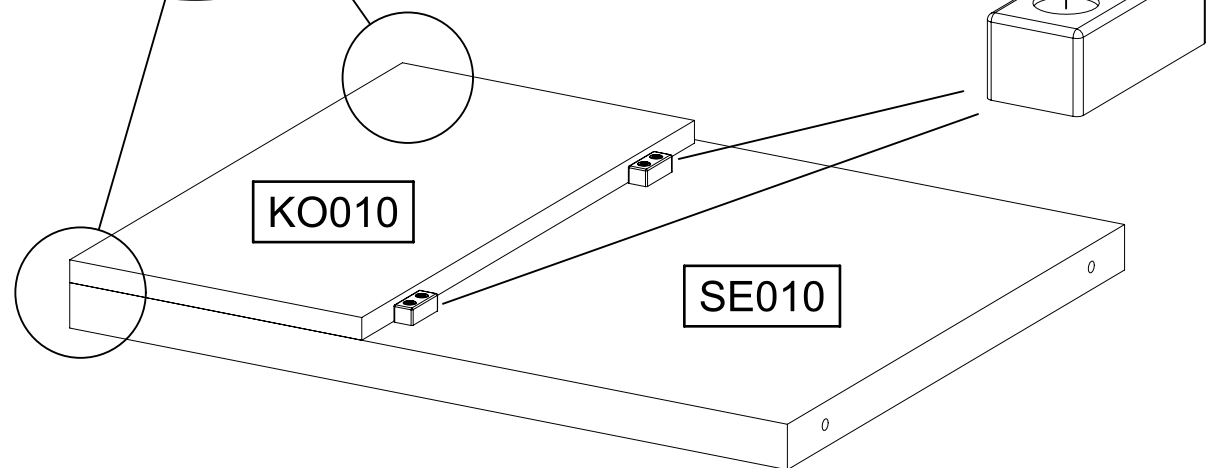
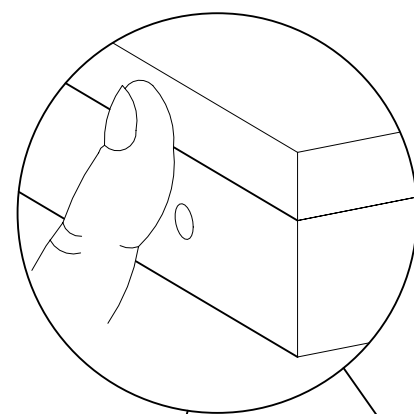


427

769

SE020

KO010



427

769

KO010

SE010

6

6x

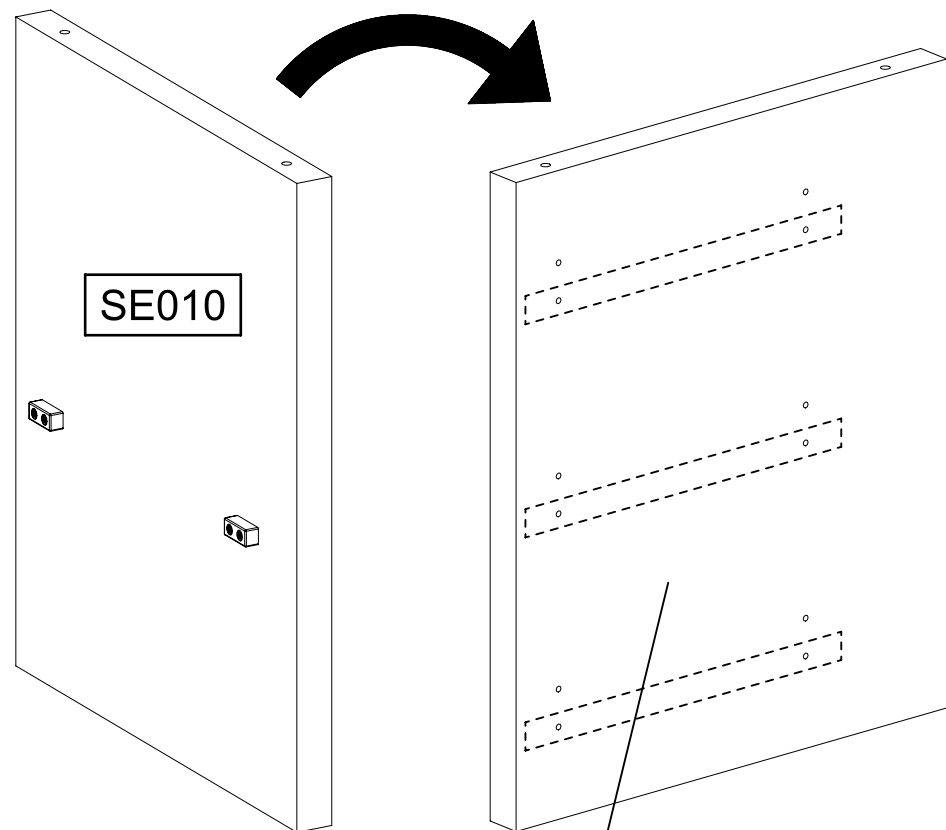
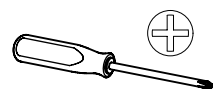
227

6x10,5

3x

259

342x27x9,5



1.

259



227

259



2.

227

7

6x

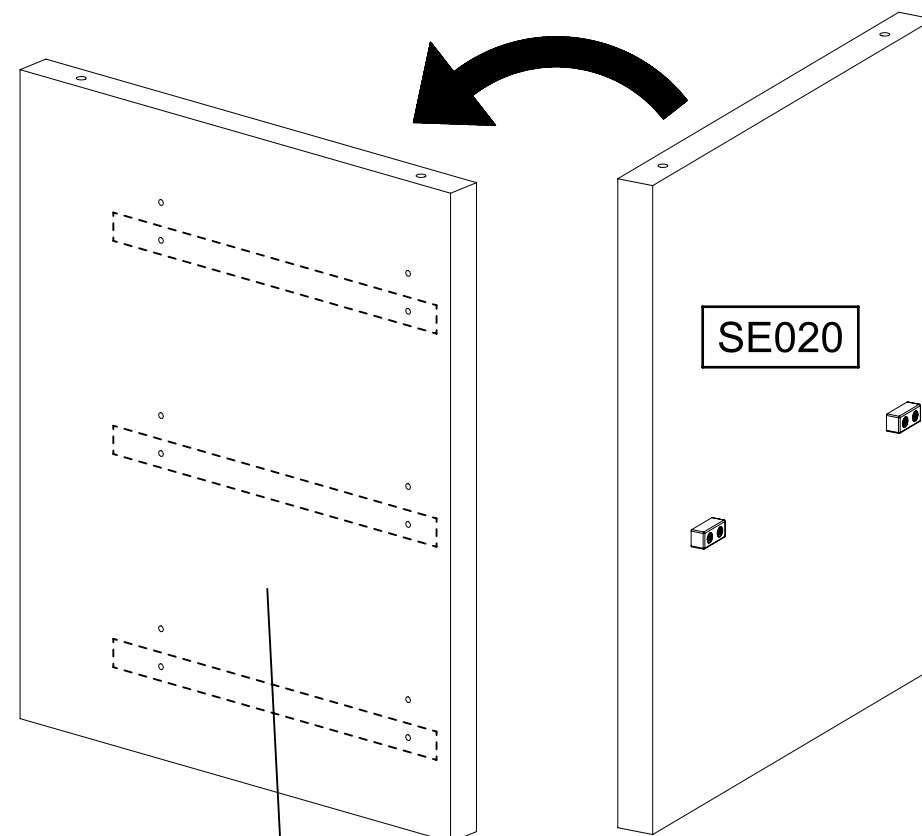
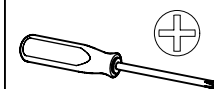
227

6x10,5

3x

259

342x27x9,5



1.

259



227

259

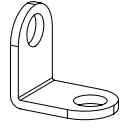


2.

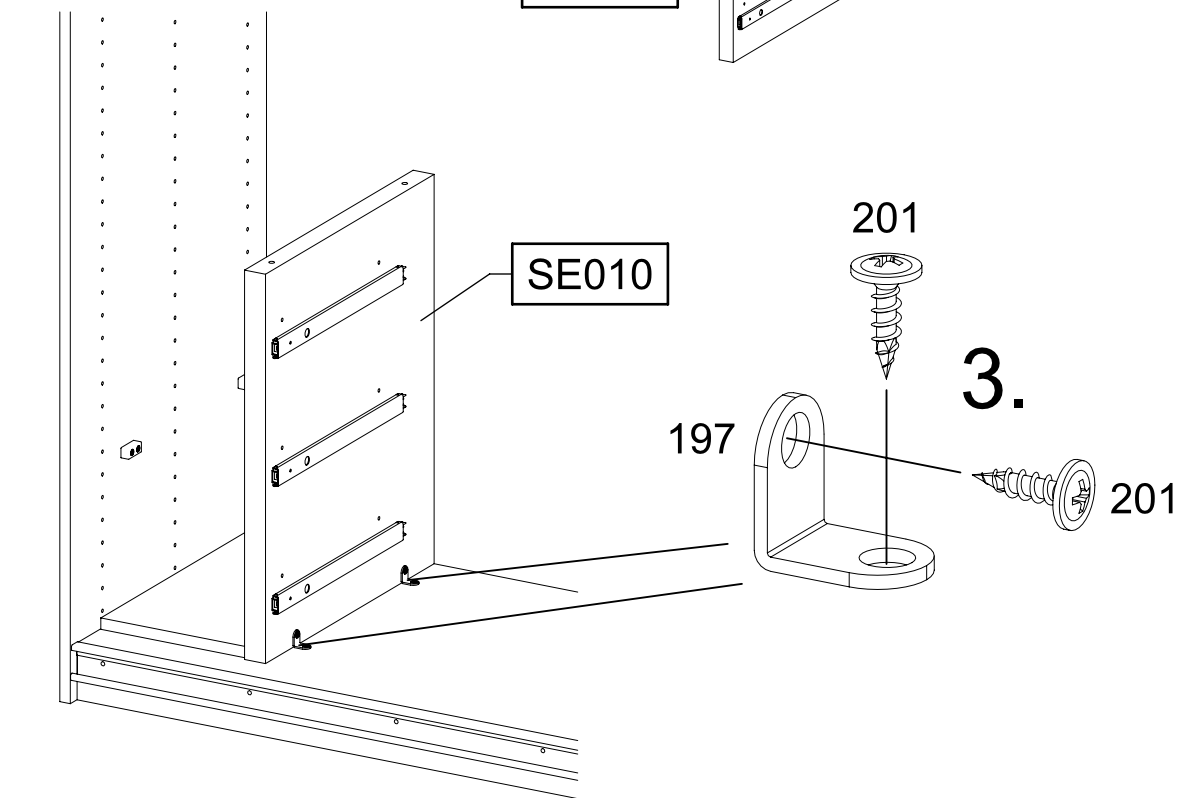
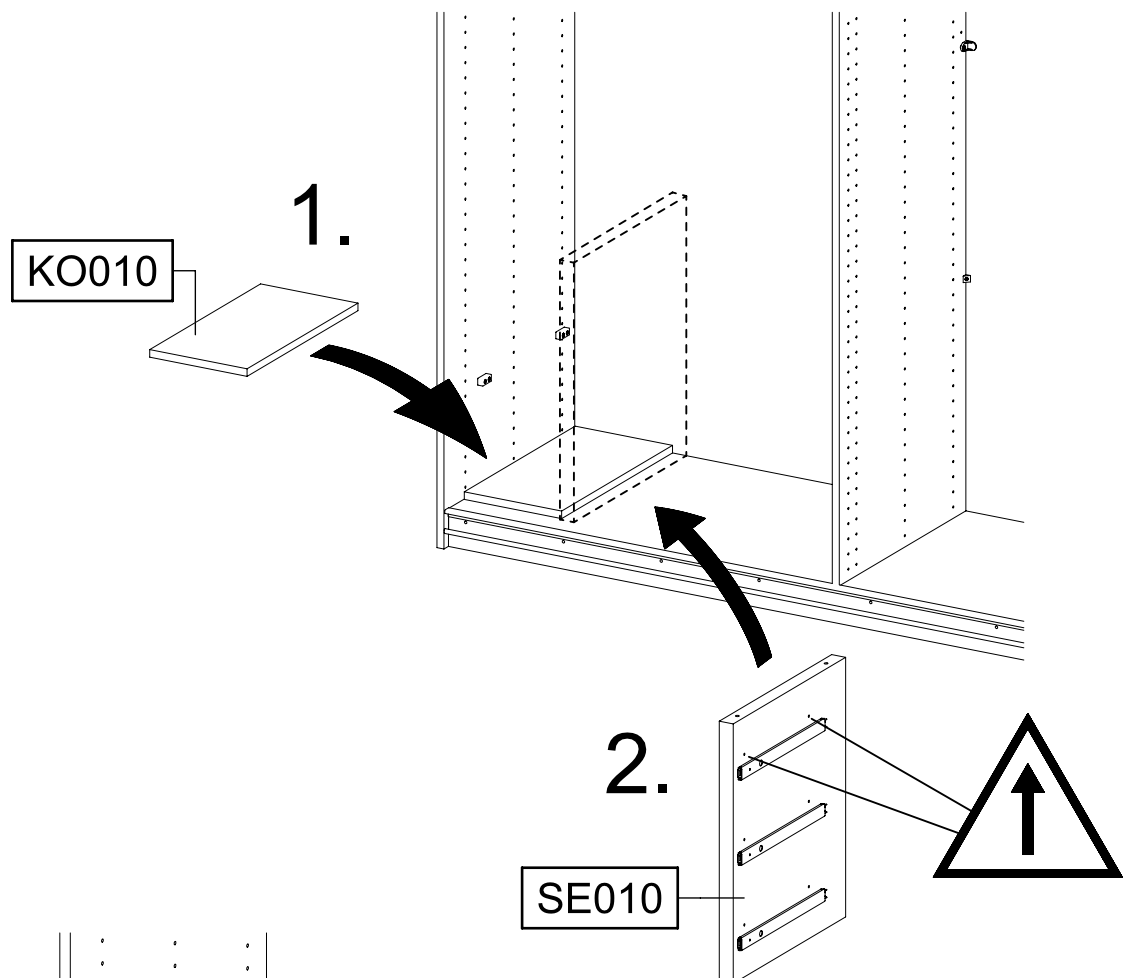
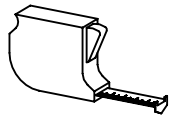
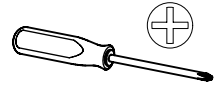
227

8

2x 197

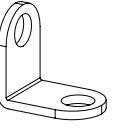


4x 201

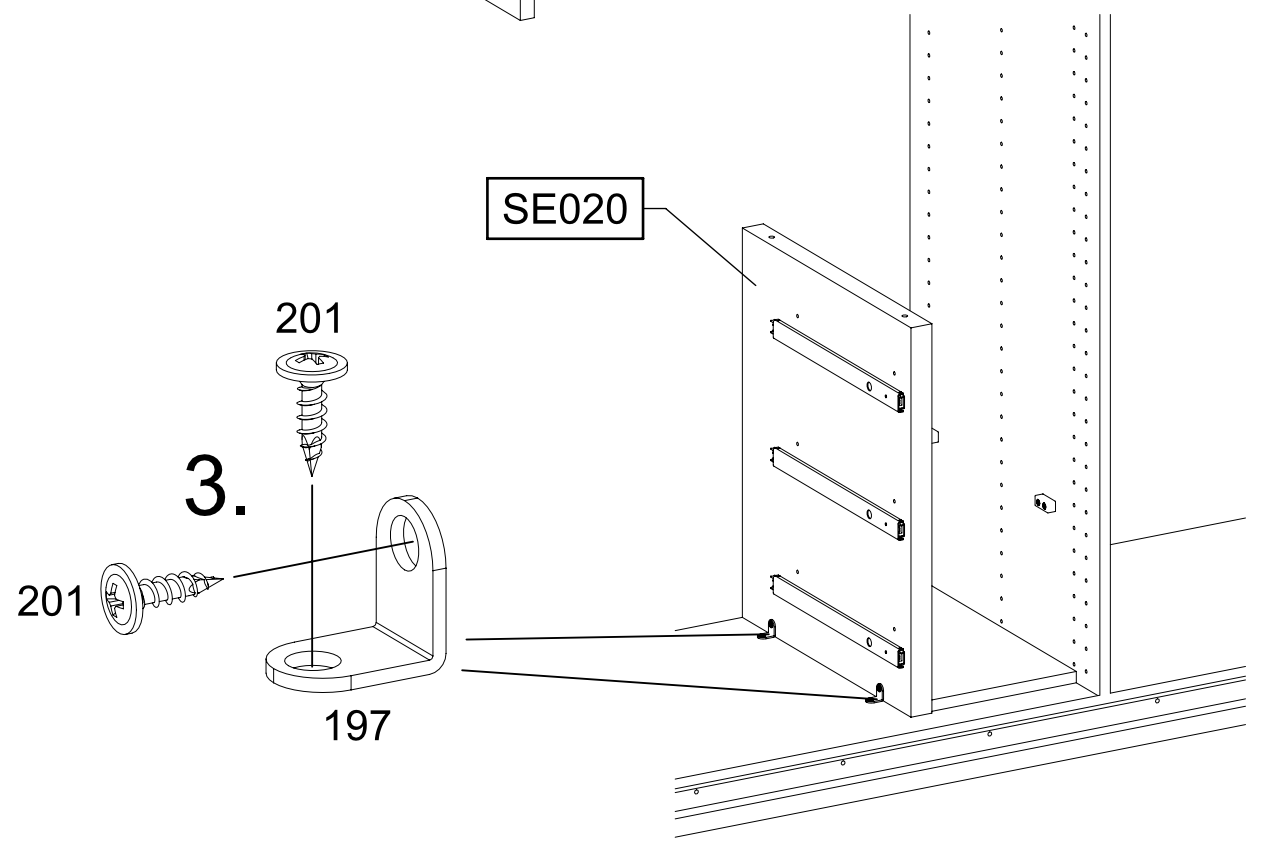
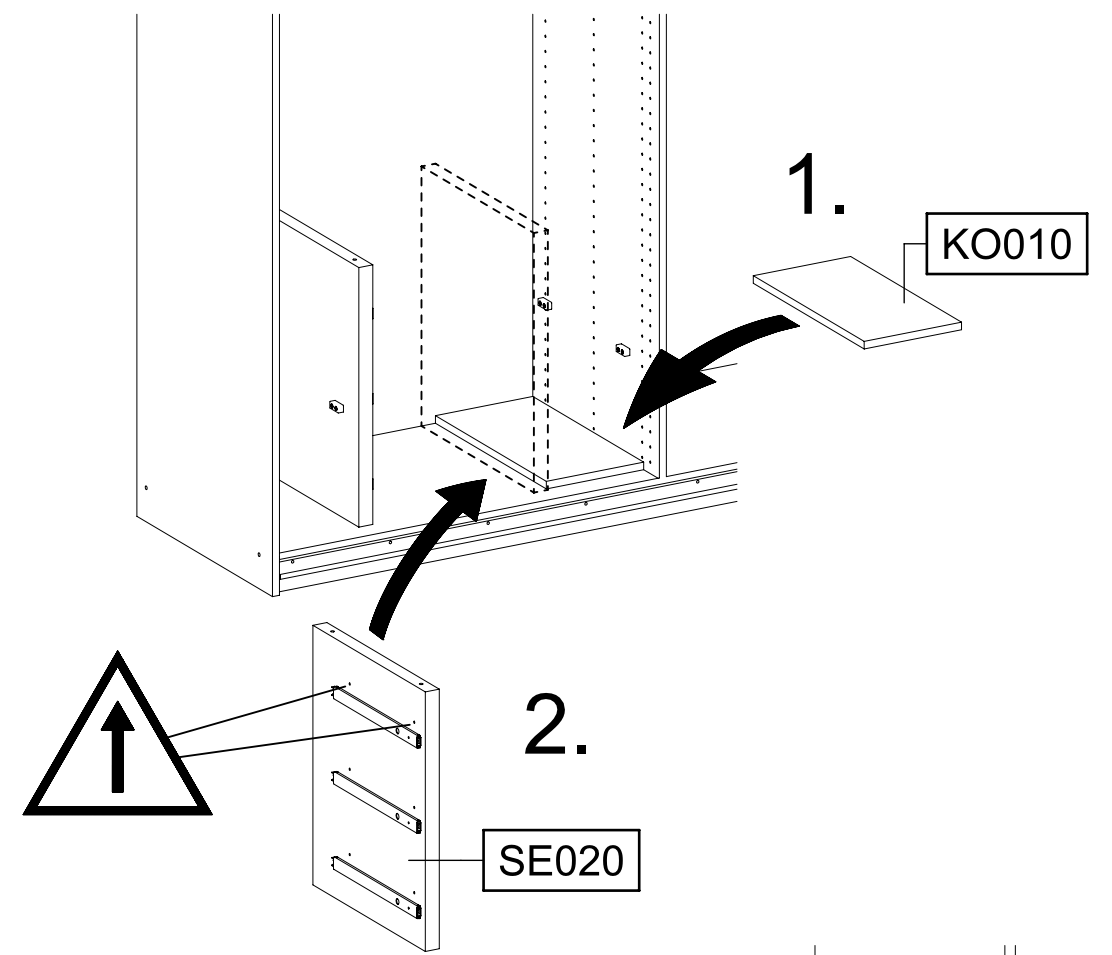
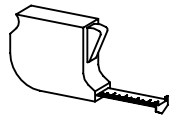
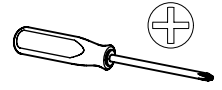


9

2x 197

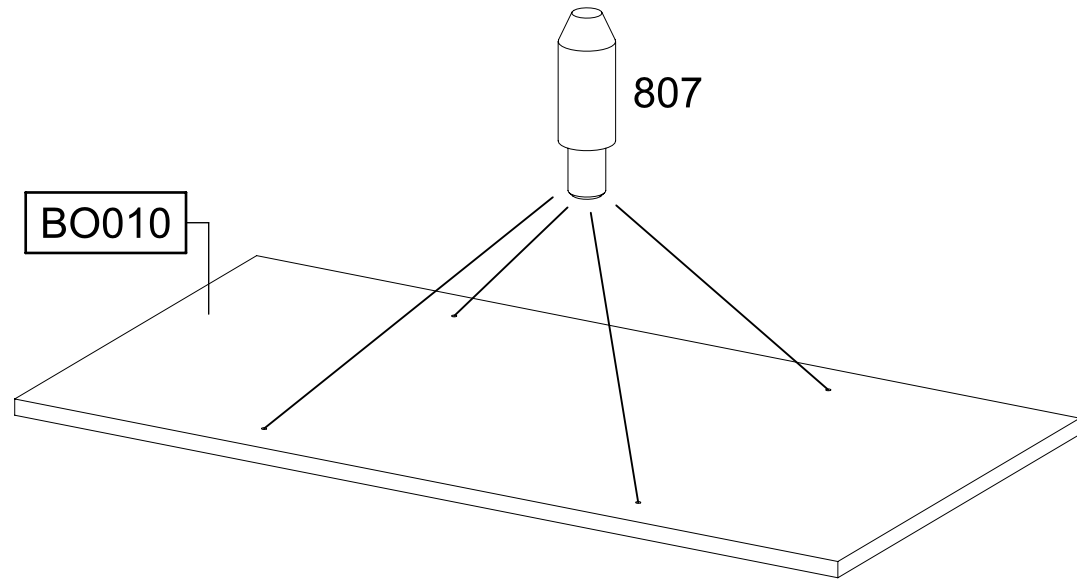


4x 201

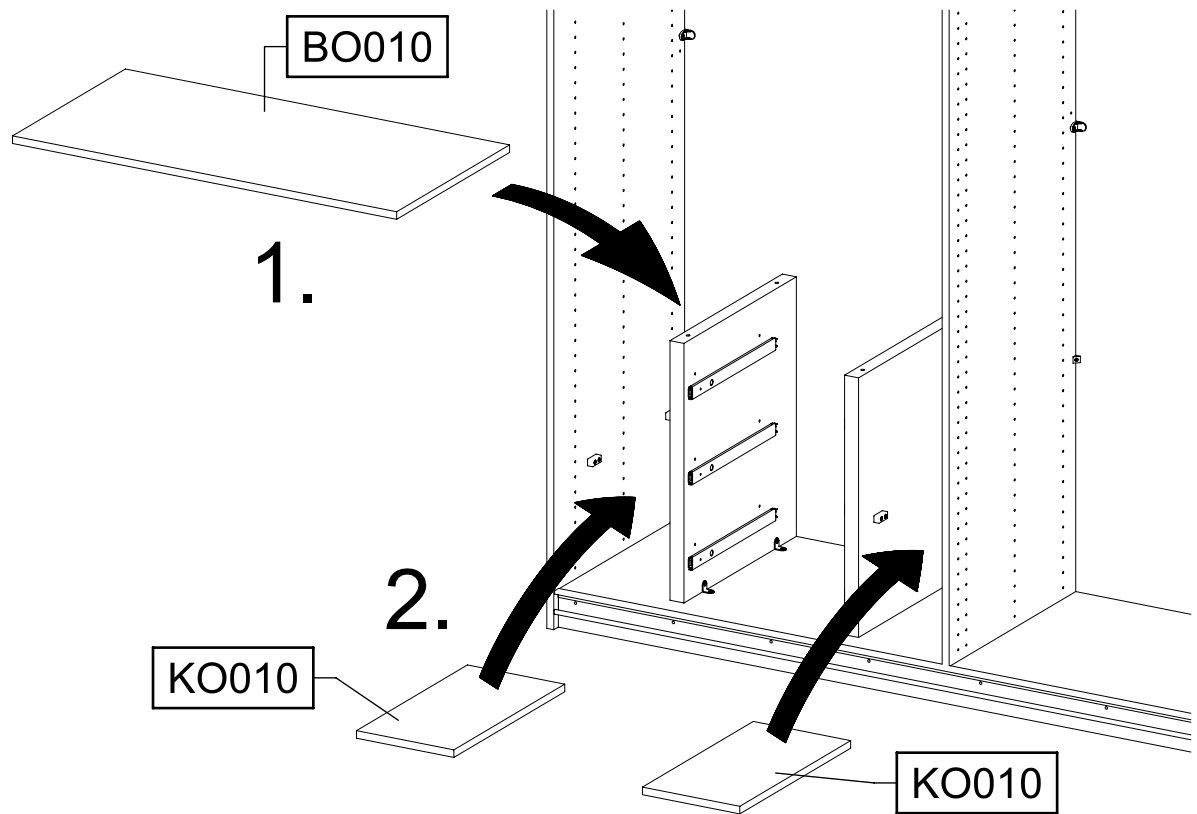


10

4x 807 

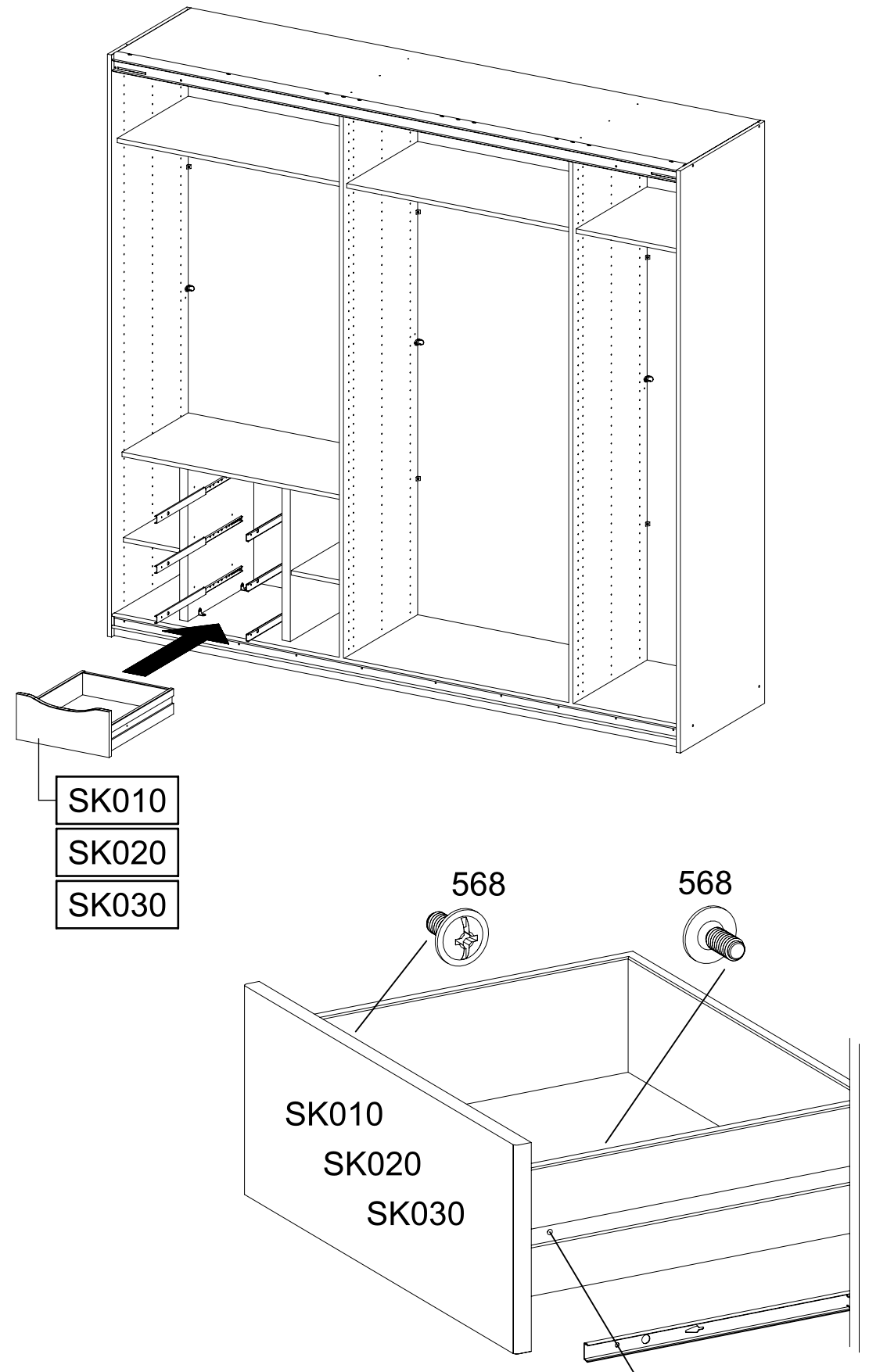
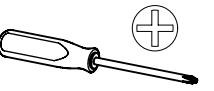


11



12

6x 568 M4x9 



13

2x

45

