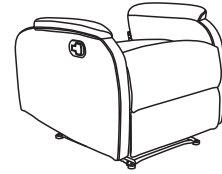




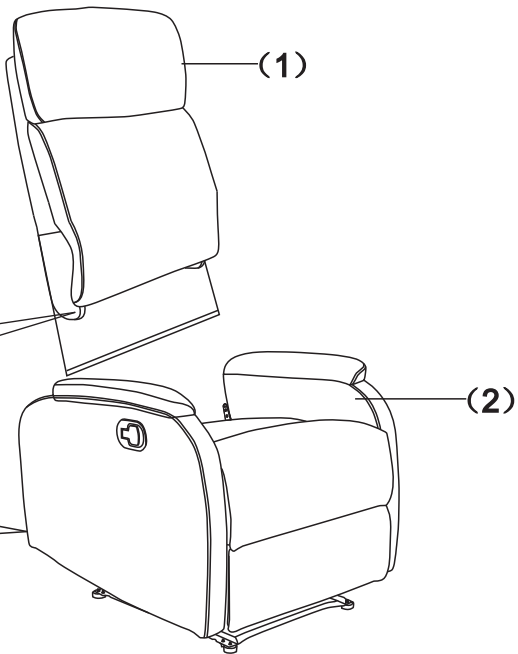
(1) × 1



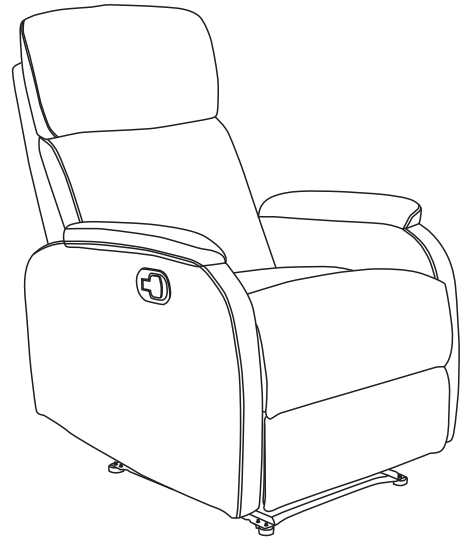
(2) × 1



1



2



3

