



Front/Carcase	Colour code
Alpine white	A9R28



Alpine white



Aluminium-coloured handles



# Quality features

rauch ORANGE



Interior colour  
Texline  
colour



**EASY  
SLIDE**

Metal guide  
rails



Drawers  
on silent  
ball-bearing  
runners



Optional  
dampers for  
hinged and  
sliding doors



For extras, see  
rauch ORANGE  
Accessories  
1.0.

Timeless look

Attractive front designs

Durable product quality

Excellent furniture fittings

comprehensive accessories

## Quality and material



10  
years  
warranty

**10 years rauch manufacturer's warranty.**  
Warranty terms and conditions on [rauchmoebel.com/garantie](http://rauchmoebel.com/garantie) and in information enclosed with the product.



### WOODMAX chipboard

This healthy green-wood chipboard was designed specifically for use in living areas. Our Woodmax chipboard is made only from pollutant-free small-diameter logs and windfall timber from sustainably managed forestry operations in regional woods.

### Our natural raw material

Rauch has won various awards for the material used in its boards. Strict tests by impartial institutes consistently confirm that our materials and processes are not harmful to health.



### Colour

Furniture with colour finish has an evenly attractive, hard-wearing surface.



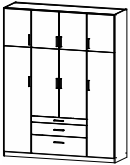
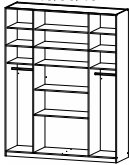
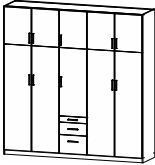
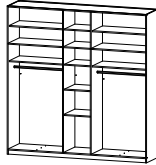
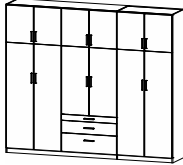
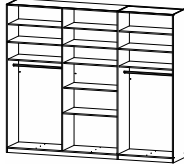
### Load-bearing capacity

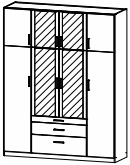
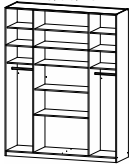
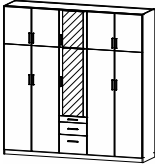
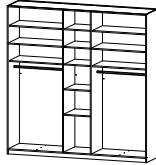
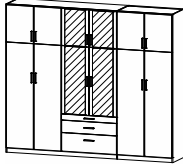
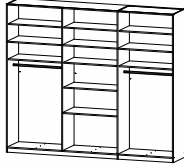
The load limits for all furniture and extras can be found in the load table at: <https://qrco.de/rauch-belastungstabelle>

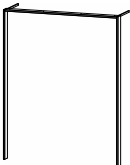
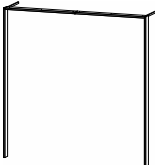
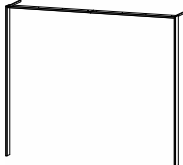
## Award-winning and certified



Front/Carcase	Colour code
Alpine white	A9R28

WARDROBES		Hinged door wardrobes. Small top drawer with interior division.								
See rauch ORANGE ACCESSORIES 1.0 for robe accessories.  <b>NOTE!</b> Installation of interior divisions not possible!										
								45/90/45	90/45/90	90/90/90
								hinged door wardrobe	hinged door wardrobe	hinged door wardrobe
								8-door, 3 drawers	10-door, 3 drawers	12-door, 3 drawers
	↔181 cm †229 cm ↗54 cm	↔226 cm †229 cm ↗54 cm	↔271 cm †229 cm ↗54 cm							
Article	Price	<b>014V</b>	<b>015V</b>	<b>016V</b>						

WARDROBES		Hinged door wardrobes. Small top drawer with interior division.								
See rauch ORANGE ACCESSORIES 1.0 for robe accessories.  <b>NOTE!</b> Installation of interior divisions not possible!										
								45/90/45	90/45/90	90/90/90
								hinged door wardrobe	hinged door wardrobe	hinged door wardrobe
								8-door, 4 mirror doors, 3 drawers	10-door, 2 mirror doors, 3 drawers	12-door, 4 mirror doors, 3 drawers
	↔181 cm †229 cm ↗54 cm	↔226 cm †229 cm ↗54 cm	↔271 cm †229 cm ↗54 cm							
Article	Price	<b>017V</b>	<b>018V</b>	<b>019V</b>						

WARDROBES		Passepartouts					
							
					passepartout	passepartout	passepartout
					↔185 cm †231 cm ↗58 cm	↔231 cm †231 cm ↗58 cm	↔275 cm †231 cm ↗58 cm
					Article	Price	<b>0K0N</b>