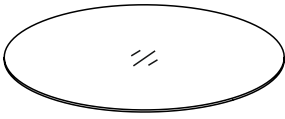
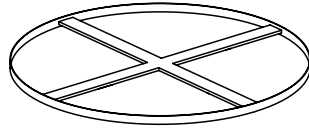


CALVIN FI 100

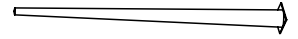
A-1PC



B-1PC



C-4PCS



D-16PCS



E-16PCS



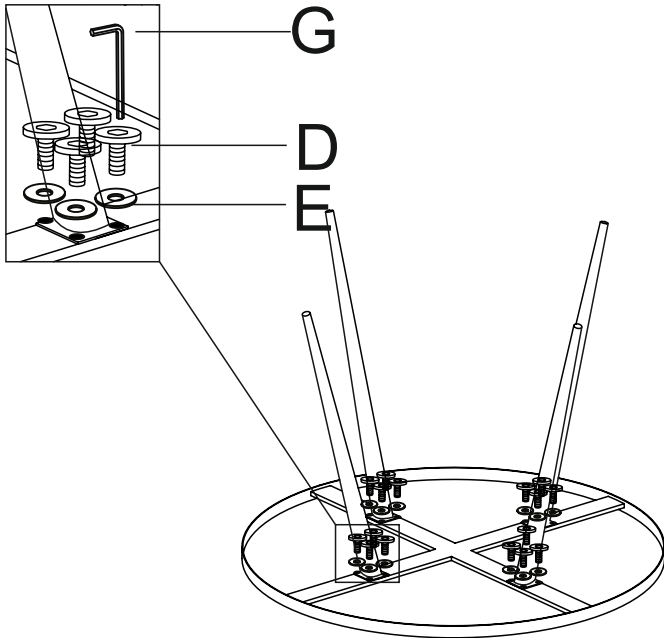
F-4PCS



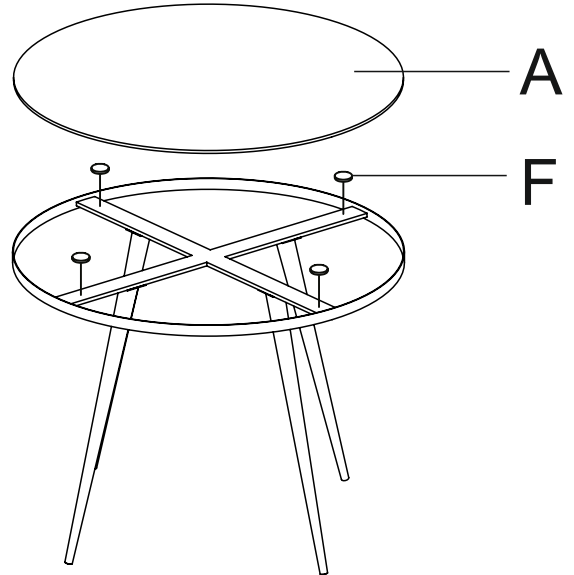
G-1PC



1



2



3

